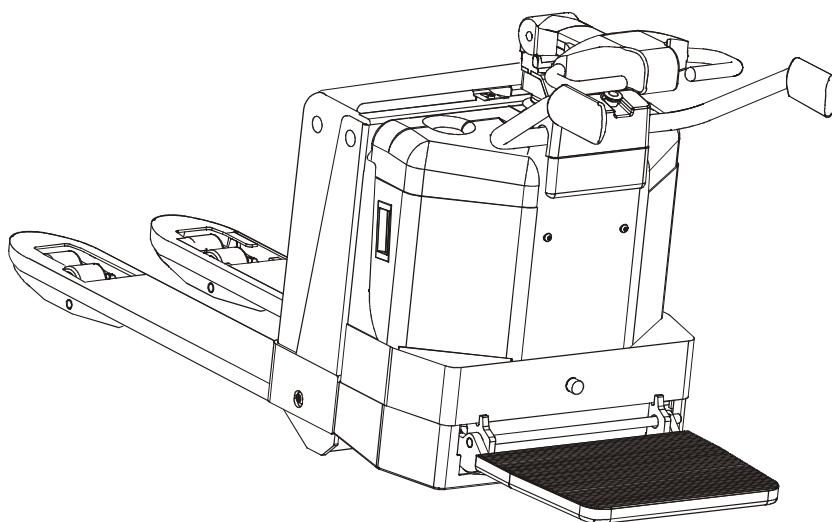
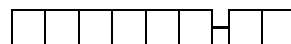


TOYOTA

Powered Pallet Truck 7 PML 20/6 / 7 PML 20/8

Valid for machine number: 570989AT -

Only valid for machine number:



Spare Parts Catalogue

Ordering number210497

Date2003-01-31/ITS

CLICK HERE TO **DOWNLOAD** THE COMPLETE MANUAL

- Thank you very much for reading the preview of the manual.
- You can download the complete manual from: www.heydownloads.com by clicking the link below



- Please note: If there is no response to CLICKING the link, please download this PDF first and then click on it.

CLICK HERE TO **DOWNLOAD** THE COMPLETE MANUAL

0380-00189 Fork frame (low lifters)

[2002-07-09]

Gaffelstomme (låglyftare); Gabelchassis (Niederhubwagen); Châssis (transpalettes);

e = 180 mm			679 7 PML 20/6 679 7 PML 20/8	410997 - 410997 -
Pos	Description	Pcs	Part No	Note
11	Link Länk; Gelenk; Bras	2	156703	
12	Bush Bussning; Bague; Bague	4	140173	
13	Washer Bricka; Scheibe; Rondelle	2	20013	
14	Locking ring Spärring; Schliessring; Circlip	2	29793	
15	Axle Axel; Achse; Axe	2	76313-001	
16	Washer Bricka; Scheibe; Rondelle	2	20404	
17	Screw Skruv; Schraube; Vis	2	29768	
18	Torsion tube(b5=450 mm) Vridrör; Drehrohr; Levier de tringlel	1	176890-001	
18	Torsion tube(b5=520 mm) Vridrör; Drehrohr; Levier de tringlel	1	176890-002	
18	Torsion tube(b5=550 mm) Vridrör; Drehrohr; Levier de tringlel	1	176890-003	
18	Torsion tube(b5=570 mm) Vridrör; Drehrohr; Levier de tringlel	1	176890-004	
18	Torsion tube(b5=685 mm) Vridrör; Drehrohr; Levier de tringlel	1	176890-005	
18	Torsion tube(b5=400 mm) Vridrör; Drehrohr; Levier de tringlel	1	176890-006	
18	Torsion tube(b5=580 mm) Vridrör; Drehrohr; Levier de tringlel	1	176890-007	
18	Torsion tube(b5=650 mm) Vridrör; Drehrohr; Levier de tringlel	1	176890-008	
18	Torsion tube(b5=536 mm) Vridrör; Drehrohr; Levier de tringlel	1	176890-009	
19	Locking pin Spännstift; Spannstift; Goupille	2	22128	
20	Link Länk; Gelenk; Bras	2	130587	
21	Link Länk; Gelenk; Bras	2	130586	
22	Bush Bussning; Bague; Bague	4	140169	
23	Support Stöd; Stütze; Appui	2	136267	
24	Screw Skruv; Schraube; Vis	2	22229	
25	Axle(Stainless Steel) Axel(Rostfri); Achse(Nichtrostende); Axe(Inoxydable)	2	130590	
25	Axle Axel; Achse; Axe	2	132005	
26	Bush Bussning; Bague; Bague	2	169807	
27	Bracket Fäste; Halterung; Support	1	152111	
28	Screw Skruv; Schraube; Vis	1	29768	
29	Bush Bussning; Bague; Bague	2	140170	
30	Bush Bussning; Bague; Bague	2	140173	
31	Axle Axel; Achse; Axe	2	134521	

0450-00051 Motor fixing points

[2001-08-24]

Motorupphängning/-fästen; Motoraufhängung/Halterung; Points de fixation moteur;

Pos	Description	Pcs	Part No	Note
			679 7 PML 20/6 679 7 PML 20/8	413000 - 413000 -
11	Screw Skruv; Schraube; Vis	2	28936	
12	Plate Plåt; Platte; Plaque	1	156704	
13	Spring(Complete) Fjäder(Komplett); Feder(Komplett); Ressort(Complet)	2	147035	
15	Locking ring Spärring; Schliessring; Circlip	6	24000	
16	Consol Konsol; Konsole; Console	1	162877	
17	Washer Bricka; Scheibe; Rondelle	8	126723-013	
18	Screw Skruv; Schraube; Vis	2	21820	
19	Clip nut Låsclips; Schlitzmutter; Tôle de ecrou	1	171485	
20	Screw Skruv; Schraube; Vis	1	20050	
21	Axle Axel; Achse; Axe	1	172980	
22	Screw Skruv; Schraube; Vis	2	20616	
23	Bush Bussning; Bague; Bague	4	164092	
24	Bush Bussning; Bague; Bague	2	164090	
25	Torsion tube Vridrör; Drehrohr; Levier de tringlel	1	162878	
26	Bush Bussning; Bague; Bague	2	164091	
27	Axle Axel; Achse; Axe	2	162882	
28	Motor bracket Motorfäste; Motorhalterung; Moteur de Support	1	172112	
29	Washer(0,5 mm) Bricka; Scheibe; Rondelle	2	163013-001	0,5mm
29	Washer(1 mm) Bricka; Scheibe; Rondelle	2	163013-002	1 mm
30	Link Länk; Gelenk; Bras	2	162880	

0840-00065 Driver protection

[2001-08-24]

Förarskydd; Fahrerschutz; Protection de cariste;

			679 7 PML 20/6 679 7 PML 20/8	410997 - 410997 -
Pos	Description	Pcs	Part No	Note
11	Plate(Left) Plåt(Vänster); Platte(Links); Plaque(Gauge)	1	177202-031	
12	Cushion(Left) Dyna(Vänster); Kissen(Links); Coussin(Gauge)	1	178021	
13	Screw Skruv; Schraube; Vis	6	22229	
14	Screw Skruv; Schraube; Vis	4	171823	
15	Frame Stomme; Gerippe; Ossature	1	178334	
16	Screw Skruv; Schraube; Vis	2	29514	
17	Nut Mutter; Mutter; Ecrou	4	20130	
18	Plate(Right) Plåt(Höger); Platte(Recht); Plaque(Droit)	1	177203-031	
19	Cushion(Right) Dyna(Höger); Kissen(Recht); Coussin(Droit)	1	178022	
20	Nut Mutter; Mutter; Ecrou	4	20433	
21	Screw Skruv; Schraube; Vis	4	22415	
22	Screw Skruv; Schraube; Vis	2	20599	
23	Washer Bricka; Scheibe; Rondelle	2	20348	

2550-00043 Mechanical drive gear unit

[2003-01-20]

Drivaggregat/-växel; Antriebsaggregat/-getriebe; Groupe de traction, réducteur;

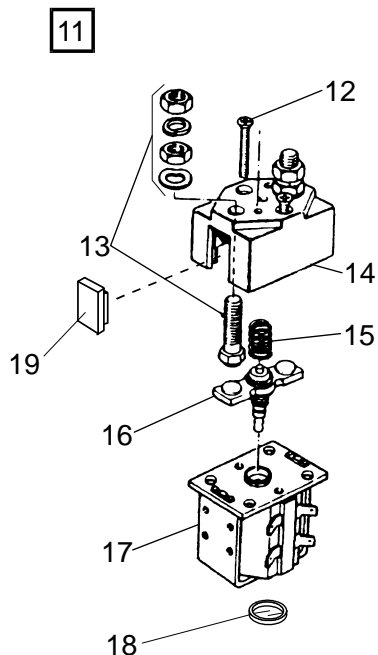
Pos	Description	Pcs	Part No	Note
			679 7 PML 20/6 679 7 PML 20/8	410997 - 410997 -
01	Driving gear compl. Drivväxel kompl.; Antriebsatz kompl.; Groupe de entrainement compl.	1	170539	6 km/h
01	Driving gear compl. Drivväxel kompl.; Antriebsatz kompl.; Groupe de entrainement compl.	1	170540	8 km / h
11	Dip stick Oljesticka; Ölmesstab; Jauge d'huile	1	135915	
12	Washer Bricka; Scheibe; Rondelle	1	28998	
13	Shim(0,05mm) Shims; Schim; Cale		27220	
13	Shim(0,1mm) Shims; Schim; Cale		27221	
13	Shim(0,2mm) Shims; Schim; Cale		27222	
13	Shim(0,3mm) Shims; Schim; Cale		27223	
13	Shim(0,5mm) Shims; Schim; Cale		27224	
13	Shim(1 mm) Shims; Schim; Cale		27225	
14	Screw Skruv; Schraube; Vis	4	21141	
15	Shim(0,05mm) Shims; Schim; Cale		27232	
15	Shim(0,1mm) Shims; Schim; Cale		27233	
15	Shim(0,2mm) Shims; Schim; Cale		27234	
15	Shim(0,3mm) Shims; Schim; Cale		27235	
15	Shim(0,5 mm) Shims; Schim; Cale		27236	
15	Shim(1 mm) Shims; Schim; Cale		27237	
16	Roller bearing Rullager; Rollenlager; Palier à rouleaux	1	27208	
17	Spare part kit : Bevel gear Reservdelssats : Koniskt kugghjul; Satz : Kegelrad; Jeux : Roue conique à denture droite	1	101092	
18	Nut Mutter; Mutter; Ecrou	1	101098	
19	Washer Bricka; Scheibe; Rondelle	1	23604	
20	Roller bearing Rullager; Rollenlager; Palier à rouleaux	1	27206	
21	Shim(0,05mm) Shims; Schim; Cale		27238	
21	Shim(0,1mm) Shims; Schim; Cale		27239	
21	Shim(0,2mm) Shims; Schim; Cale		27240	
21	Shim(0,3mm) Shims; Schim; Cale		27241	
21	Shim(0,5mm) Shims; Schim; Cale		27242	
21	Shim(1 mm) Shims; Schim; Cale		27243	
22	Screw Skruv; Schraube; Vis	2	28519	
24	Screw Skruv; Schraube; Vis	2	20276	

3550-00159 Fork/support arm wheels

[2001-08-24]

Gaffel-/stödbenshjul; Gabel-/Stützarmrollen; Roues bras-support;

e = 180 mm			679 7 PML 20/6 679 7 PML 20/8	410997 - 410997 -
Pos	Description	Pcs	Part No	Note
01	Bogie wheel(Complete) Boggiehjul(Komplett); Boggirad(Komplett); Roue de fourche bogie(Comple)	4	180135	
02	Wheel complete(Vulkollan) Hjul komplett; Rad komplett; Roue complete	2	10100	
11	Locking pin Spännstift; Spannstift; Goupille	2	27921	
12	Axle Axel; Achse; Axe	2	125872	
12	Axle(Stainless Steel) Axel(Rostfri); Achse(Nichtrostende); Axe(Inoxydable)	2	126936	
13	Sleeve Hylsa; Hülse; Douille	2	134391	
14	Wheel fork Hjulgaffel; Radgabel; Fourche de roue	2	132523	
15	Bush Bussning; Bague; Bague	4	140178	
16	Bracket Fäste; Halterung; Support	4	177165	
17	Screw Skruv; Schraube; Vis	4	150132	
19	Ball bearing Kullager; Kugellager; Roulement a billes	8	20906	
20	Sealing Tätning; Dichtung; Joint	8	150127	
21	Axle Axel; Achse; Axe	4	150126-076	
22	Bush Bussning; Bague; Bague	4	140169	
23	Axle Axel; Achse; Axe	2	156750	
23	Axle(Stainless Steel) Axel(Rostfri); Achse(Nichtrostende); Axe(Inoxydable)	2	156751	
24	Locking pin Spännstift; Spannstift; Goupille	2	21316	
25	Bush Bussning; Bague; Bague	4	140178	
26	Wheel(Vulkollan) Hjul; Rad; Roue	2	31186	
27	Ball bearing Kullager; Kugellager; Roulement a billes	4	20023	
28	Sealing Tätning; Dichtung; Joint	4	20905	
29	Axle Axel; Achse; Axe	2	139185	
29	Axle(Stainless Steel) Axel(Rostfri); Achse(Nichtrostende); Axe(Inoxydable)	2	143079	
30	Locking ring Spärring; Schliessring; Circlip	2	24000	



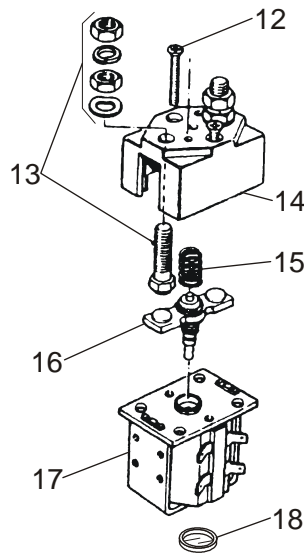
5190-00029 Battery cut out connector/contactor

[2002-10-18]

Batterifrånskiljare, huvudkontaktör; Batterietrennung, Hauptkontaktör; Coupe-circuit de batterie, contacteur;

Pos	Description	Pcs	Part No	Note
11	Contactor compl. Kontaktör kompl.; Kontaktör kompl.; Contacteur compl.	1	177911	
12	Screw Skruv; Schraube; Vis	2	154549	
13	Fixed contact(Complete) Fast kontakt(Komplett); Fester Kontakt(Komplett); Contact fixé(Complett)	2	173916	
14	Housing Kåpa; Haus; Chape	1	154550	
15	Spring Fjäder; Feder; Ressort	1	161484	
16	Contact Kontakt; Kontakt; Contact	1	173917	
17	Magnetic coil Magnetspole; Magnetspule; Bobine électrique	1	173918	
18	Housing Kåpa; Haus; Chape	1	165416	
19	Housing Kåpa; Haus; Chape	1	177914	

11



5610-00021 Pump contactor

[2002-11-26]

Pumpkontaktor; Pumpenmotorkontaktor; Contacteur (moteur) de pompe;

Pos	Description	Pcs	Part No	Note
			679 7 PML 20/6 679 7 PML 20/8	561306 - 561306 -
11	Contact Kontakt; Kontakt; Contacteur	1	208760	
12	Screw Skruv; Schraube; Vis	2	208765	
13	Fixed contact(Complete) Fast kontakt(Komplett); Fester Kontakt(Komplett); Contact fixé(Comple)	2	208762	
14	Housing Kåpa; Haus; Chape	1	208764	
15	Spring Fjäder; Feder; Ressort	1	208766	
16	Contact Kontakt; Kontakt; Contact	1	208763	
17	Magnetic coil Magnetspole; Magnetspule; Bobine électrique	1	208767	
18	Housing Kåpa; Haus; Chape	1	208768	

6100-00061 Hydraulic unit

[2002-09-25]

Hydraulaggregat; Hydraulikaggregat; Unité hydraulique;

			679 7 PML 20/6 679 7 PML 20/8	410997 - 410997 -
Pos	Description	Pcs	Part No	Note
01	Pump unit compl. Pumpenhet kompl.; Pumpeinheit kompl.; Unite de pompe compl.	1	166074	
02	Packing set Packningssats; Packungssatz; Jeux d' étanchéité.	1	148312	
11	Screw Skruv; Schraube; Vis	2	20002	
12	Washer Bricka; Scheibe; Rondelle	4	21394	
13	Bracket Fäste; Halterung; Support	1	146793	
14	Nut Mutter; Mutter; Ecrou	2	20130	
15	Screw Skruv; Schraube; Vis	2	28308	
16	Non return valve Backventil; Rückschlagklappe; Clapet de retenue	1	143374	
17	Valve(Magnet) Ventil(Magnet); Ventil(Magnet); Soupape(Magnétique)	1	143371	
18	Coil Spole; Spule; Bobine	1	143372	
19	Clamp Klamma; Rohrschelle; Collier	1	143381	
20	Valve Ventil; Ventil; Soupape	1	149572-009	
21	Pressure reducing valve Tryckbegränsningsventil; Druckreduzierventil; Soupape de réglage de pression	1	166076	
22	Tank Tank; Behälter; Reservoir	1	166075	
23	Pump Pump; Pump; Pumpe	1	129666	
24	Filter(Complete) Filter(Komplett); Filter(Komplett); Filtre(Complect)	1	167328	
25	Filter Filter; Filter; Filtre	1	143382	
26	Filler tube(Complete) Påfyllningsrör(Komplett); Füllstutzen(Komplett); Tuyau de remplissage(Complect)	1	167327	
27	Cap Lock; Deckel; Couvercle	1	143380	
28	Connection Koppling; Kupplung; Raccord	1	28785	
29	Pressure transducer Tryckgivare; Druckgeber; Capteur de pression	1	167287	8 km / h
30	Connection Koppling; Kupplung; Raccord	1	176492	8 km / h
31	Connection Koppling; Kupplung; Raccord	1	28944	8 km / h

CLICK HERE TO **DOWNLOAD** THE COMPLETE MANUAL

- Thank you very much for reading the preview of the manual.
- You can download the complete manual from: www.heydownloads.com by clicking the link below



- Please note: If there is no response to CLICKING the link, please download this PDF first and then click on it.

CLICK HERE TO **DOWNLOAD** THE COMPLETE MANUAL