

TOYOTA

Reach truck 7FBRE 25CC (-1)(-2)

Valid for machine number: 709569 -

Only valid for machine number:

--	--	--	--	--	--	--	--



Spare Parts Catalogue

Ordering number217081

Date2004-04-20 / ESIF

CLICK HERE TO **DOWNLOAD** THE COMPLETE MANUAL

- Thank you very much for reading the preview of the manual.
- You can download the complete manual from: www.heydownloads.com by clicking the link below



- Please note: If there is no response to CLICKING the link, please download this PDF first and then click on it.

CLICK HERE TO **DOWNLOAD** THE COMPLETE MANUAL

9000 Options/attachments

Tillbehör/extrautrustning; Zubehör/Zusatzausrüstung; Equipement supplémentaire/Options

- 9330-00017 Radio/recorder**
Radio/bandspelare; Radio/Kassettengerät; Radio/magnétophone;
- 9360-00030 Extra lighting**
Extra belysning; Zusatzbeleuchtung; Eclairage supplémentaire;
- 9370-00062 Extra warning lights/alarm**
Extra varningsljus/-larm; Extra Warn-/ Alarmleuchte; Avertisseurs/dispositifs d'alarme supplémentaires;
- 9380-00001 Charger attachment** **Acid circulation**
Laddartillsats; Zusatzladegerät; Chargeur supplémentaire;
- 9390-00035 Positioning/TV equip., height preselector**
Positionerings-/TV-utrustn., höjdförval; Positionier-/TV-Anlage, Höhenvorwahl; Equipem. positionnement/vidéo, présélecteur de hauteur;
- 9400-00041 Extra electrical equipment** **Power hook-up**
Extra elektrisk utrustning; Elektrische Zusatzausrüstung; Equipement électrique supplémentaire;
- 9420-00023 Truck log device, code locking device** **Truck log, EV1, cold store cabin**
Truck logg utrustn., kodlås; Truck Log System, Codesperre; Système Optigest, verrouillage (blocage) code;
- 9420-00040 Truck log device, code locking device** **Truck log, S16, cold store cabin**
Truck logg utrustn., kodlås; Truck Log System, Codesperre; Système Optigest, verrouillage (blocage) code;
- 9500-00071 Other extra equipment** **Writing table**
Extra utrustning övrigt; Zusatzausrüstung Sonstiges; Autre équipement supplémentaire;
- 9500-00233 Other extra equipment** **Load support**
Extra utrustning övrigt; Zusatzausrüstung Sonstiges; Autre équipement supplémentaire;
- 9500-00442 Other extra equipment** **Fork distance**
Extra utrustning övrigt; Zusatzausrüstung Sonstiges; Autre équipement supplémentaire;
- 9550-00023 Battery changing equipment** **Wiring harness**
Batteribytesanordning; Batteriewechselvorrichtung; Equipement de chargement batterie;

0530-00021 Cabin windows

[2004-04-07]

Hyttrotur; Kabinenfenster; Vitres;

			718 7FBRE 25CC	577200 -
Pos	Description	Pcs	Part No	Note
11	Window Fönster; Fenster; Fenêtre	1	161756	
12	Window Fönster; Fenster; Fenêtre	1	161757	
13	Window Fönster; Fenster; Fenêtre	1	161755	
14	List(Meter) List(Meter); Leiste(Meter); Bande(Metre)	15	161760	
15	Plate Plåt; Platte; Plaque	2	208096-031	
16	Screw Skruv; Schraube; Vis	2	164930	
17	Plate Plåt; Platte; Plaque	2	208095-031	
18	Screw Skruv; Schraube; Vis	2	164930	
19	Lock Lås; Schloss; Verrou	2	161767	
20	Screw Skruv; Schraube; Vis	4	29968	
21	Screw Skruv; Schraube; Vis	4	164823	
22	Nut Mutter; Mutter; Ecrou	4	21094	
23	Window Fönster; Fenster; Fenêtre	1	208045	
24	Screw Skruv; Schraube; Vis	16	29899	
25	Window Fönster; Fenster; Fenêtre	1	161759	
26	Support Hållare; Stossfänger; Absorber des chocs	1	209986-031	
27	Catch Spärr; Sperre; Arret	1	209985-031	
28	Nut Mutter; Mutter; Ecrou	11	20433	
29	Screw Skruv; Schraube; Vis	9	21750	
30	Screw Skruv; Schraube; Vis	2	20224	
31	List(Meter) List(Meter); Leiste(Meter); Bande(Metre)	6	161764	
32	Bracket Fäste; Halterung; Support	1	219727-031	
33	Screw Skruv; Schraube; Vis	2	164930	

1760-00109 Electric drive motor

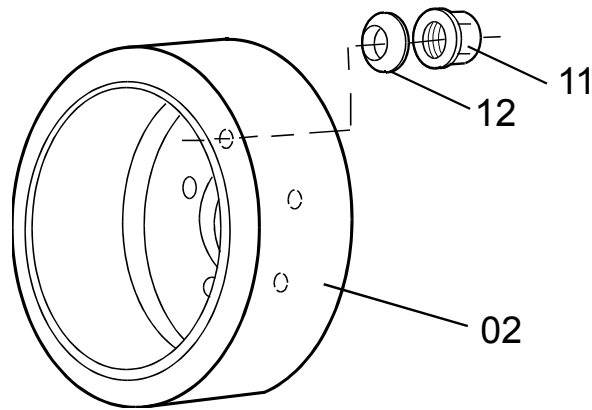
[2004-04-15]

Elektrisk åkmotor; Elektro-Fahrmotor; Moteur de traction électrique;

			718 7FBRE 25CC	709569 -
Pos	Description	Pcs	Part No	Note
01	Motor(Complete) Motor(Komplett); Motor(Komplett); Moteur(Complet)	1	216731-165	
11	Locking ring Spärring; Schliessring; Circlip	2	20008	
12	Key Kil; Keil; Clavette	1	20666	
13	Washer Bricka; Scheibe; Rondelle	3	20375	
14	Shield Sköld; Schild; Bouclier	1	208508	
15	Screw Skruv; Schraube; Vis	6	160913-280	
16	Stator Stator; Ständer; Stator	1	217676-165	
17	Stay ring Stödring; Stutzring; Anneau de support	1	161035	
18	Ring Ring; Ring; Bague	1	161036	
19	Sensor bearing Sensorlager; Fühlerlager; Rollement capteur	1	215715	
20	Cover Lock; Deckel; Couverture	1	170365	
21	Rotor Rotor; Rotor; Rotor	1	217678	
22	Shield Sköld; Schild; Bouclier	1	170363	
23	Fan Fläkt; Kühlgebläse; Ventilateur	1	164831	
24	Nut Mutter; Mutter; Erou	6	20433	
25	Locking ring Spärring; Schliessring; Circlip	1	20359	
26	Bearing Lager; Lager; Roulement	1	25932	
27	Sleeve Hylsa; Hülse; Douille	1	151866	
28	Sealing ring Tättningsring; Dichtungsring; Bague d'étanchéité	1	29539	
29	Locking ring Spärring; Schliessring; Circlip	1	20009	
30	Locking ring Spärring; Schliessring; Circlip	1	20041	
31	Key Kil; Keil; Clavette	1	26547	
32	Nut Mutter; Mutter; Erou	3	20081	
33	Washer Bricka; Scheibe; Rondelle	3	22528	
34	Screw Skruv; Schraube; Vis	2	180096	
35	Bracket Fäste; Halterung; Support	1	170415	
36	Bracket Fäste; Halterung; Support	1	213576	
37	Terminal board Uttagsplint; Klemmbrett; Borne	1	170373	
38	Sealing Tätning; Dichtung; Joint	2	159224-002	
39	Contact housing Kontaktus; Kontaktvorrichtung; Engrenage de mise en action	1	159221-002	
40	Plug Stift; Stift; Fiche	2	159223-002	

3530-00005

P0000249



3530-00005 Drive wheel

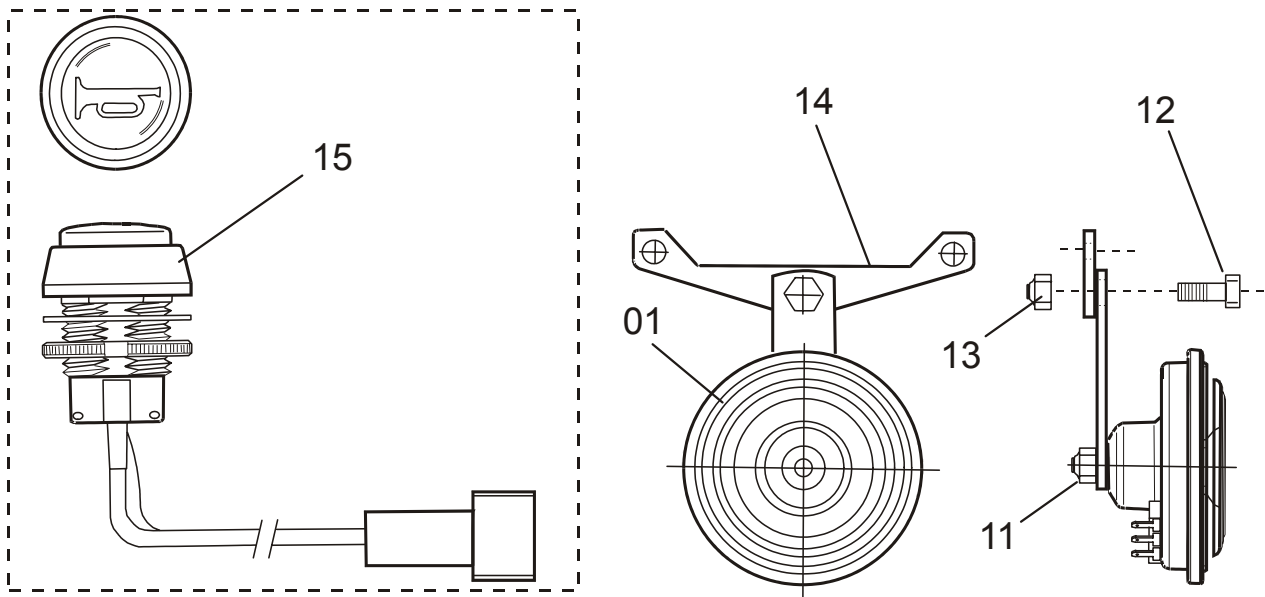
Drivhjul; Antriebsrad; Roue motrice;

[2003-12-09]

			718 7FBRE 25CC	577200 -
Pos	Description	Pcs	Part No	Note
02	Drive wheel Drivhjul; Antriebsrad; Roue entrainement	1	162602	
11	Nut Mutter; Mutter; Ecrou	7	20776	
12	Washer Bricka; Scheibe; Rondelle	7	158341	

5160-00086

P0018107



5160-00086 General alarm signals (audible/visual)

[2003-04-01]

Signal/larm (ljud-/ljus-); Warn-/Alarmsignale (Akust./Opt.); Avertisseur (sonore/lumineux), dispositifs d'alarme;

			718 7FBRE 25CC	577200 -
Pos	Description	Pcs	Part No	Note
01	Horn Signalhorn; Signalhorn; Avertisseur	1	209225	
11	Nut Mutter; Mutter; Ecrou	1	20016	
12	Screw Skruv; Schraube; Vis	1	20050	
13	Nut Mutter; Mutter; Ecrou	1	20016	
14	Bracket Fäste; Halterung; Support	1	145391	
15	Push-button(Complete) Tryckknapp(Komplett); Druckknopf(Komplett); Bouton(Comple)	1	145487	

5390-00231 Driving function harnesses/fuse

[2004-04-15]

Åkfunktionkablage/-säkring; Verkabelung, Sicherung Fahrfunktion; Câblage/fusible fonction de déplacement;

			718 7FBRE 25CC	709569 -
Pos	Description	Pcs	Part No	Note
11	Wiring harness Kablage; Kabelsatz; Câblage	1	213742	Main Huvud; Haupt; Principal
12	Wiring harness Kablage; Kabelsatz; Câblage	1	150910	
13	Wiring harness Kablage; Kabelsatz; Câblage	1	177783	
14	Push-button Tryckknapp; Druckknopf; Bouton	1	155556-001	
15	Push-button Tryckknapp; Druckknopf; Bouton	1	155556-002	
16	Push-button Tryckknapp; Druckknopf; Bouton	1	155556-003	
17	Wiring harness Kablage; Kabelsatz; Câblage	3	154860	Including micro switch 149794 Inklusive mikrobrytare 149794; Inklusive Mikroschalter 149794; Inclus interrupt- eur 149794 To solder Lödes; Löten; Soudage
18	Micro switch Mikrobrytare; Mikroschalter; Interrupteurs	3	149794	
19	Clamp Klamma; Rohrschelle; Collier	12	20942	
20	Bracket Fäste; Halterung; Support	2	129399	
21	Screw Skruv; Schraube; Vis	1	21139	
22	Fuse(30 A) Säkring; Sicherung; Fusible	1	161640-300	
23	Fuse(10A) Säkring; Sicherung; Fusible	3	161640-100	
25	Screw Skruv; Schraube; Vis	2	27712	
26	Fuse holder Säkringshållare; Sicherungshalter; Porte-fusibles	1	208144-004	
27	Cover Lock; Deckel; Couvercle	1	208145-004	Support arm wheel brake Stödbensbroms; Spreizenradbremse; Frein, (roue de longeron)
28	Wiring harness Kablage; Kabelsatz; Câblage	1	152091	
29	Bracket Fäste; Halterung; Support	1	215320	
30	Screw Skruv; Schraube; Vis	4	20050	
31	Washer Bricka; Scheibe; Rondelle	4	20404	
32	Resistance Motstånd; Widerstand; Résistance	1	159844	
33	Clamp Klamma; Rohrschelle; Collier	2	156268-001	Cold stores Fryshus; Gefrieranlage; Chambre frigor- ifique
33	Clamp Klamma; Rohrschelle; Collier	9	156268-002	
34	Protection Skydd; Schutz; Protège	3	156247	
35	Cover Lock; Deckel; Couvercle	1	157651	
36	Contact Kontakt; Kontakt; Contact	1	157649	
37	Plug Stift; Stift; Fiche	4	153191-002	
38	Wiring harness Kablage; Kabelsatz; Câblage	1	212433	

CLICK HERE TO **DOWNLOAD** THE COMPLETE MANUAL

- Thank you very much for reading the preview of the manual.
- You can download the complete manual from: www.heydownloads.com by clicking the link below



- Please note: If there is no response to CLICKING the link, please download this PDF first and then click on it.

CLICK HERE TO **DOWNLOAD** THE COMPLETE MANUAL

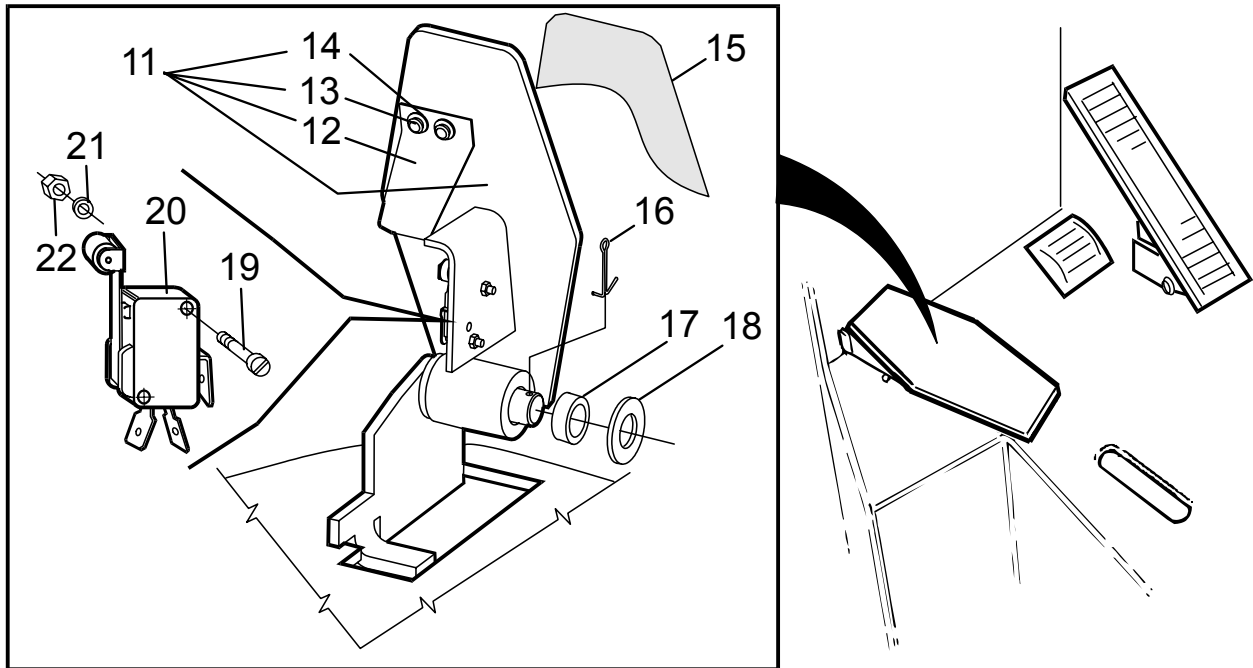
TOYOTA

5590-00077

Pos	Description	Pcs	Part No	Note
45	Wheel Hjul; Rad; Roue	1	209937	
46	Washer Bricka; Scheibe; Rondelle	1	20404	
47	Locking ring Spårring; Schliessring; Circlip	1	20885	

5830-00027

P0009651

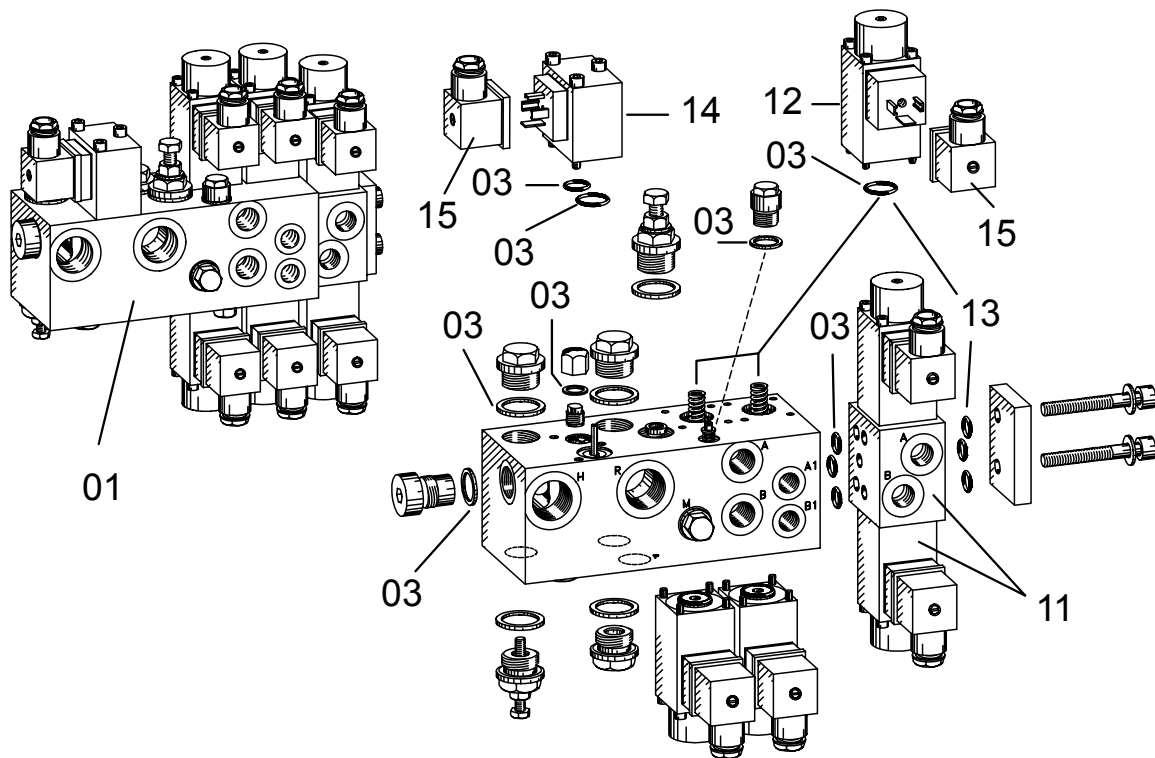


5830-00027 Safety probes/sensors

[2004-04-15]

S akerhets-givare/-sensor; Sicherheitsgeber/-sensor; Capteurs de s curit ;

Left foot switch; V�nsterfotsbrytare; Links Fuss-schalter; Interrupteurs-pied, gauche			718 7FBRE 25CC	577200 -
Pos	Description	Pcs	Part No	Note
11	Pedal Pedal; Pedal; P�dale	1	138712	
11	Pedal Pedal; Pedal; P�dale	1	148156	Cold stores Fryshus; Gefrieranlage; Chambre frigorifique
12	Spring Fj�der; Feder; Ressort	1	157305	
13	Rivet Nit; Niet; Rivet	2	24664	
14	Washer Bricka; Scheibe; Rondelle	2	21035	
15	Skidding protection Halkskydd; Rutschabdeckung; Dispositif antid�rapant	1	139323	
16	Cotter pin Saxpinne; Gespalter stift; Goupille fendue	1	20312	
17	Bush Bussning; Bague; Bague	2	44110	
18	Washer Bricka; Scheibe; Rondelle	2	20508	
19	Screw Skruv; Schraube; Vis	2	21438	
20	Micro switch(Including arm) Mikrobrytare(Med arm); Mikroschalter(Mit arm); Interrupteurs(Avec bras)	1	152975	Cold stores Fryshus; Gefrieranlage; Chambre frigorifique
20	Micro switch Mikrobrytare; Mikroschalter; Interrupteurs	1	156280	
21	Washer Bricka; Scheibe; Rondelle	2	21392	
22	Nut Mutter; Mutter; Ecrou	2	20255	



6210-00017 Main valve unit lift/reach/tilt

[2004-04-15]

Huvudventil lyft/utskjut./ tilt; Hauptventil Hub/Schub/Neigung; Soupape principale levage/rétraction/inclinaison;

			718 7FBRE 25CC	577200 -
Pos	Description	Pcs	Part No	Note
01	Valve unit(Complete) Ventilblock(Komplett); Ventileinheit(Komplett); Soupape unit(Complect)	1	153002	
03	Packing set Packningsatts; Packungssatz; Jeux d' étanchéité.	1	147017	
11	Valve(Complete) Ventil(Komplett); Ventil(Komplett); Soupape(Complect)	1	146963	
12	Magnet Magnet; Magnet; Magnétique	6	146964	
13	Packing set Packningsatts; Packungssatz; Jeux d' étanchéité.	1	146965	
14	Magnet Magnet; Magnet; Magnétique	1	147016	
15	Connector Handske; Stecker; Bloc de connexion	7	24089	

Pos	Description	Pcs	Part No	Note
44	Pipe Rör; Rohr; Tube	1	140081-950	
45	Connection Koppling; Kupplung; Raccord	1	28711	
46	Washer(Plastic) Bricka(Plast); Scheibe(Kunststoff); Rondelle(Plastique)	2	163862	
47	Sealing ring Tätningring; Dichtungsring; Bague d'étanchéité	2	22946	

6370-00035 Mast hose reel/swivel joint

[2003-12-03]

Stativslangvinda/vippstycke; Schlauchtrommel, Schwenkkupplung Hubeinrichtung; Enrouleur/joint tournant mât;

Lift height <= 7000 mm; Lyfthöjd <= 7000 mm; Hubhöhe <= 7000 mm; De élévation <= 7000 mm			718 7FBRE 25CC	598439 -
Pos	Description	Pcs	Part No	Note
11	Swivel Svivel; Wirbel; Emerillon	1	21876	4-5 Functions, left 4-5 Funktioner, vänster; 4-5 Funktion, links; 4-5 Fonction, gauge
12	Screw Skruv; Schraube; Vis	2	20184	4-5 Functions, left 4-5 Funktioner, vänster; 4-5 Funktion, links; 4-5 Fonction, gauge
13	Washer Bricka; Scheibe; Rondelle	2	20404	4-5 Functions, left 4-5 Funktioner, vänster; 4-5 Funktion, links; 4-5 Fonction, gauge
14	Swivel Svivel; Wirbel; Emerillon	1	21876	4-5 Functions, right 4-5 Funktioner, höger; 4-5 Funktion, recht; 4-5 Fonction, droit
15	Screw Skruv; Schraube; Vis	2	20184	4-5 Functions, right 4-5 Funktioner, höger; 4-5 Funktion, recht; 4-5 Fonction, droit
16	Washer Bricka; Scheibe; Rondelle	2	20404	4-5 Functions, right 4-5 Funktioner, höger; 4-5 Funktion, recht; 4-5 Fonction, droit
17	Bracket Fäste; Halterung; Support	1	215424-002	4-5 Functions, right 4-5 Funktioner, höger; 4-5 Funktion, recht; 4-5 Fonction, droit
18	Screw Skruv; Schraube; Vis	2	23924	
19	Washer Bricka; Scheibe; Rondelle	2	20348	
20	Hose reel, complete Slangvinda, komplett; Schlauchrolle, Komplet; Roleau de tuyau flexible, complet	1	126910	4-5 Functions, left 4-5 Funktioner, vänster; 4-5 Funktion, links; 4-5 Fonction, gauge
21	Hose reel Slangvinda; Schlauchrolle; Roleau de tuyau flexible	1	22251	4-5 Functions, left 4-5 Funktioner, vänster; 4-5 Funktion, links; 4-5 Fonction, gauge
22	Screw Skruv; Schraube; Vis	6	22337	
23	Washer Bricka; Scheibe; Rondelle	6	21393	
24	Distance piece(Stainless Steel) Distans(Rostfri); Distanz(Nichtrostende); Distance(Inoxydable)	1	109898	
25	Roller Rulle; Rolle; Roleau	1	72138	
26	Spring Fjäder; Feder; Ressort	1	147007	
27	Hub Nav; Nabe; Moyeu	1	22512	
28	Packing set Packningssats; Packungssatz; Jeux d' étanchéité.	1	132276	
29	Hose(Double) Slang(Dubbel); Schlauch(Doppel); Tuyau flexible(Double)	1	22253	
30	Bracket Fäste; Halterung; Support	1	124847	
31	Screw Skruv; Schraube; Vis	4	21935	
32	Washer Bricka; Scheibe; Rondelle	4	20404	
33	Hose reel, complete Slangvinda, komplett; Schlauchrolle, Komplet; Roleau de tuyau flexible, complet	1	126909	4-5 Functions, right 4-5 Funktioner, höger; 4-5 Funktion, recht; 4-5 Fonction, droit
34	Hose reel Slangvinda; Schlauchrolle; Roleau de tuyau flexible	1	22252	4-5 Functions, right 4-5 Funktioner, höger; 4-5 Funktion, recht; 4-5 Fonction, droit
35	Connection Koppling; Kupplung; Raccord	2	28859	

Pos	Description	Pcs	Part No	Note
26	Nut Mutter; Mutter; Erou	4	21110	
27	Screw Skruv; Schraube; Vis	4	29640	
28	Bracket Fäste; Halterung; Support	2	141086	
29	Washer Bricka; Scheibe; Rondelle	4	50398	
30	Washer Bricka; Scheibe; Rondelle	24	24473	
31	Washer Bricka; Scheibe; Rondelle	4	141084	
32	Slide plate Glidplatta; Gleitplatte; Plaque de incline	2	141085	
33	Screw Skruv; Schraube; Vis	4	20351	
34	Washer Bricka; Scheibe; Rondelle	4	20404	
35	Shim(0,5 mm) Shims; Schim; Cale		141081-001	
35	Shim(1 mm) Shims; Schim; Cale		141081-002	

7190-00041 Main mast suspension

[2003-04-01]

Huvudstativinfästning; Befestigung Haupthubgerüst; Suspension mât principal;

			718 7FBRE 25CC	577200 -
Pos	Description	Pcs	Part No	Note
11	Screw Skruv; Schraube; Vis	2	29751	
12	Washer Bricka; Scheibe; Rondelle	2	20367	
13	Shim(Pcs as needed) Shims(Antal efter behov); Schim(Anzahl nach bedarf); Cale(Nombre éligible)	4	133814	
14	Screw Skruv; Schraube; Vis	4	26795	
15	Washer Bricka; Scheibe; Rondelle	4	20508	
16	Bracket Fäste; Halterung; Support	2	140753	
17	Cylinder pin Cylindrisk pinne; Zylinderstift; Goupille cylindre	2	23925	
18	Shim Shims; Schim; Cale	4	141241	
19	Nut Mutter; Mutter; Ecrou	4	20170	
20	Screw Skruv; Schraube; Vis	4	29963	
21	Washer Bricka; Scheibe; Rondelle	4	169453	
22	Roller Rulle; Rolle; Roleau	4	174424	
23	Locking ring Spärring; Schliessring; Circlip	4	20011	
24	Guide Styrning; Steuerung; Guidage	4	169452	

CLICK HERE TO **DOWNLOAD** THE COMPLETE MANUAL

- Thank you very much for reading the preview of the manual.
- You can download the complete manual from: www.heydownloads.com by clicking the link below



- Please note: If there is no response to CLICKING the link, please download this PDF first and then click on it.

CLICK HERE TO **DOWNLOAD** THE COMPLETE MANUAL