

TOYOTA

Reach truck 7FBRE 16(-1)(-2)(-3)(C)

Valid for machine number: 577200AT -

Only valid for machine number:

--	--	--	--	--	--	--	--



Spare Parts Catalogue

Ordering number211488

Date2003-06-10 / ESIF

CLICK HERE TO **DOWNLOAD** THE COMPLETE MANUAL

- Thank you very much for reading the preview of the manual.
- You can download the complete manual from: www.heydownloads.com by clicking the link below



- Please note: If there is no response to CLICKING the link, please download this PDF first and then click on it.

CLICK HERE TO **DOWNLOAD** THE COMPLETE MANUAL

7000 Work function - lifting masts

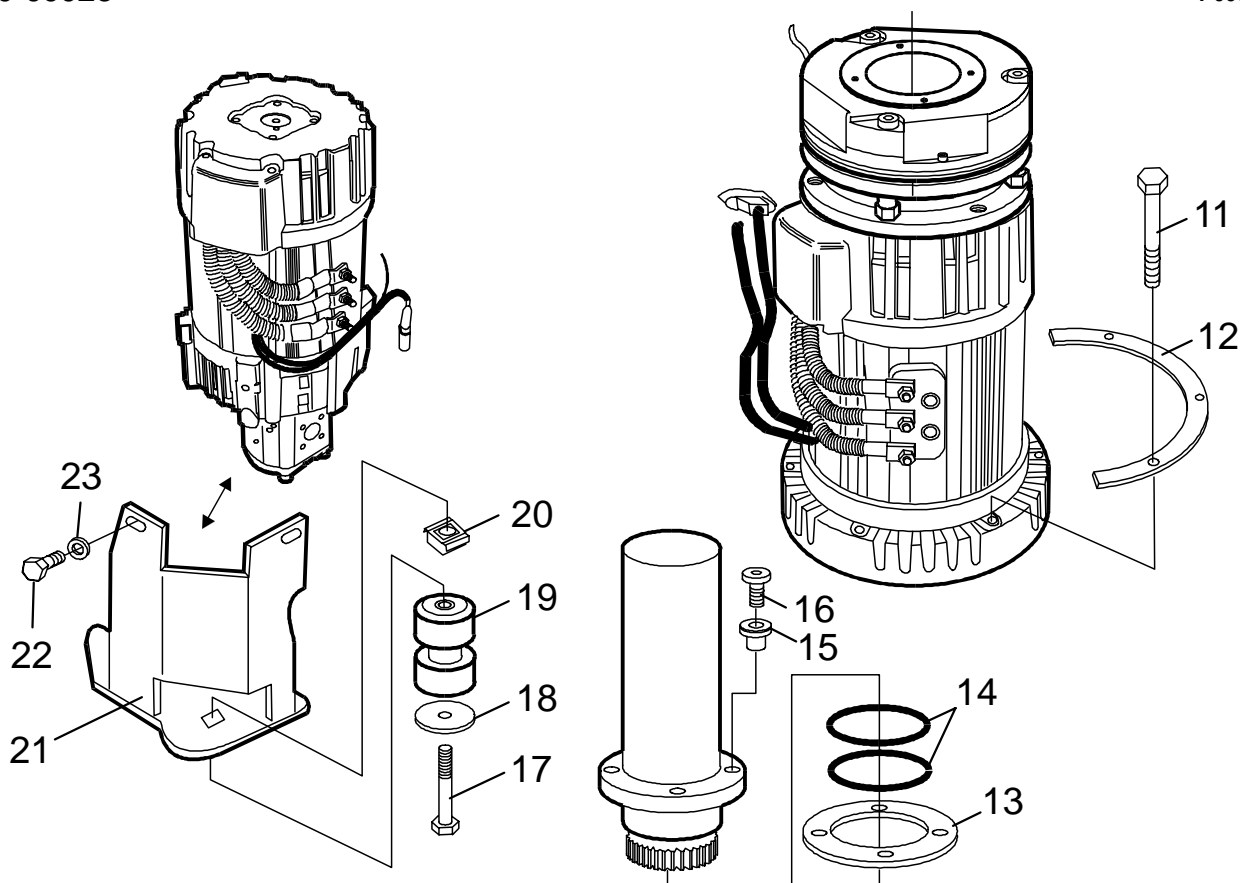
Arbetsfunktion - lyftstativ; Arbeitsfunktion - Hubgerüste; Fonction de travail - mâts de levage

- 7100-00064 Main mast** **Roller**
Huvudstativ/-mast; Haupthubgerüst/-mast; Mât principal;
- 7120-00169 Main lift chain system** **Roller**
Huvudlyftkedjesystem; Haupthubkettensystem; Système de chaîne de levage mât principal;
- 7120-00223 Main lift chain system**
Huvudlyftkedjesystem; Haupthubkettensystem; Système de chaîne de levage mât principal;
- 7130-00115 Main mast fork carriage**
Huvudstativokvagn; Gabel-/Aggregatträger Haupthubergüst; Tablier porte-fourches mât principal;
- 7130-00116 Main mast fork carriage**
Huvudstativokvagn; Gabel-/Aggregatträger Haupthubergüst; Tablier porte-fourches mât principal;
- 7150-00001 Main mast guidance/ dampers**
Huvudstativ-styrning/dämpning; Führungen/ Dämpfer Haupthubergüst; Guidage/amortissement mât principal;
- 7150-00021 Main mast guidance/ dampers**
Huvudstativ-styrning/dämpning; Führungen/ Dämpfer Haupthubergüst; Guidage/amortissement mât principal;
- 7190-00041 Main mast suspension**
Huvudstativinfästning; Befestigung Haupthubgerüst; Suspension mât principal;
- 7410-00001 Fork, carpet boom, lift hook**
Lyftgaffel/-pik/-krok; Hubgabel/-dorn/-haken; Fourche, éperon, crochet de levage;

9000 Options/attachments

Tillbehör/extrautrustning; Zubehör /Zusatzausrüstung; Equipement supplémentaire/Options

- 9170-00024 Separate sideshift/forkspread** **Fork positioner unit**
Separat sideshift/gaffelspridning; Seitenschieber, Zinkenverstellung separat; Tabl. déplacement latéral/écartement de fourches;
- 9180-00001 Fork extensions**
Förlängningsgaffel; Aufsteckgabel; Rallonges de fourches;
- 9330-00012 Radio/recorder**
Radio/bandspelare; Radio/Kassettengerät; Radio/magnétophone;
- 9360-00016 Extra lighting**
Extra belysning; Zusatzbeleuchtung; Eclairage supplémentaire;
- 9360-00017 Extra lighting** **Protective grating, transparent plastic**
Extra belysning; Zusatzbeleuchtung; Eclairage supplémentaire;
- 9370-00029 Extra warning lights/alarm**
Extra varningsljus/-larm; Extra Warn-/Alarmluchte; Avertisseurs/dispositifs d'alarmes supplémentaires;'
- 9380-00001 Charger attachment** **Acid circulation**
Laddartillsats; Zusatzladegerät; Chargeur supplémentaire;
- 9390-00034 Positioning/TV equip., height preselector**
Positionerings-/TV-utrustn., höjdförval; Positionier-/TV-Anlage, Höhenvorwahl; Equip.positionne-

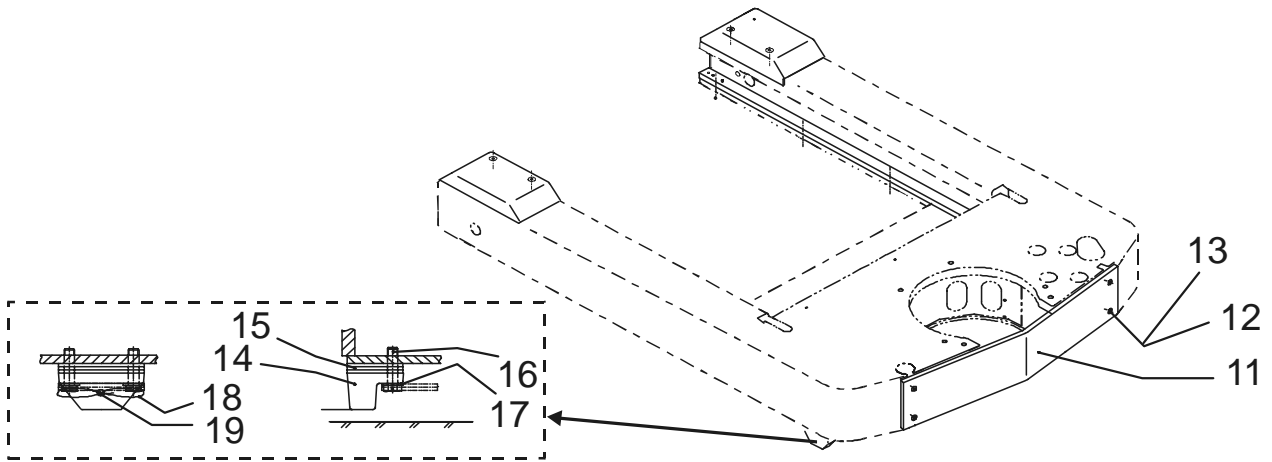


0450-00028 Motor fixing points

[2003-04-01]

Motorupphängning/-fästen; Motoraufhängung/Halterung; Points de fixation moteur;

Pos	Description	Pcs	Part No	Note
11	Screw Skruv; Schraube; Vis	6	20601	
12	Protection Skydd; Schutz; Protègee	2	167529	
13	Lamina Platta; Platten; Platine	1	147634	
14	O-ring O-ring; O-ring; Joint torique	2	21023	
15	Bush Bussning; Bague; Bague	4	147633	
16	Screw Skruv; Schraube; Vis	4	28519	
17	Screw Skruv; Schraube; Vis	4	20319	
18	Washer Bricka; Scheibe; Rondelle	4	60307	
19	Damper Dämpare; Dämpfer; Attenteur	4	168357	
20	Nut Mutter; Mutter; Ecrou	4	29590	
21	Bracket Fäste; Halterung; Support	2	149189	
22	Screw Skruv; Schraube; Vis	4	20351	
23	Washer Bricka; Scheibe; Rondelle	4	22553	



0840-00094 Driver protection

[2003-04-01]

Förarskydd; Fahrerschutz; Protection de cariste;

Pos	Description	Pcs	Part No	Note
			403 7FBRE 16 404 7FBRE 16C	577200 - 577200 -
11	Plate Plåt; Platte; Plaque	1	140767	
12	Nut Mutter; Mutter; Ecrou	4	29590	
13	Screw Skruv; Schraube; Vis	4	28344	
14	Distance piece Distans; Distanz; Distance	2	144098	
15	Shim(4 mm) Shims; Schim; Cale	6	144099	
16	Screw Skruv; Schraube; Vis	4	146834	
17	Washer Bricka; Scheibe; Rondelle	4	20228	
18	Locking wire Låstråd; Schlossdraht; Cheville	2	29759	
19	Closing stamp(Plastic) Plomberingsmärke(Plast); Verschlussmarke(Kunststoff); Plombage(Plastique)	2	20421	

1760-00055 Electric drive motor

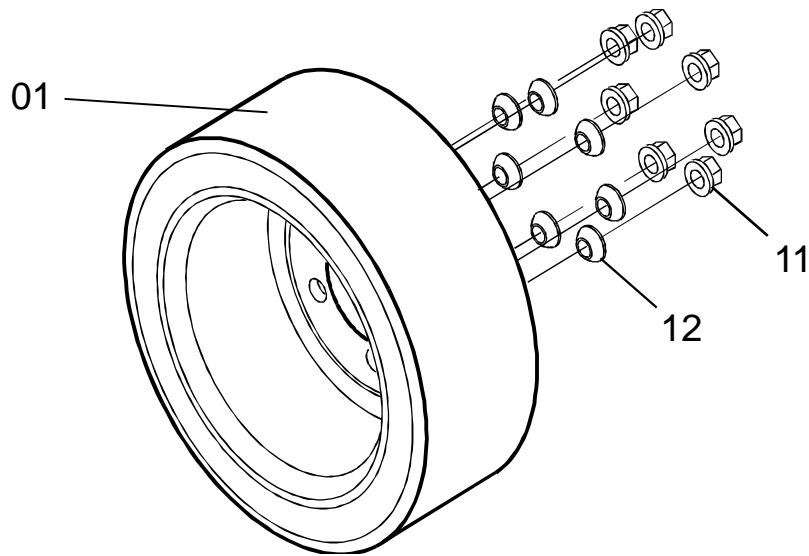
[2003-04-01]

Elektrisk åkmotor; Elektro-Fahrmotor; Moteur de traction électrique;

Pos	Description	Pcs	Part No	Note
			403 7FBRE 16 404 7FBRE 16C	564300 - 564300 -
01	Motor(Complete) Motor(Komplett); Motor(Komplett); Moteur(Complet)	1	203425-130	
11	Locking ring Spårring; Schliessring; Circlip	2	20008	
12	Key Kil; Keil; Clavette	1	20666	
13	Washer Bricka; Scheibe; Rondelle	3	20375	
14	Shield Sköld; Schild; Bouclier	1	208508	
15	Screw Skruv; Schraube; Vis	6	160913-245	
16	Stator Stator; Ständer; Stator	1	208509-130	
17	Stay ring Stödring; Stutzring; Anneau de support	1	161035	
18	Ring Ring; Ring; Bague	1	161036	
19	Ball bearing Kullager; Kugellager; Roulement a billes	1	160918	
20	Cap Lock; Deckel; Couvercle	1	170365	
21	Rotor Rotor; Rotor; Rotor	1	164828	
22	Shield Sköld; Schild; Bouclier	1	170363	
23	Fan Fläkt; Kühlgebläse; Ventilateur	1	164831	
24	Nut Mutter; Mutter; Ecrou	6	20433	
25	Locking ring Spårring; Schliessring; Circlip	1	20359	
26	Bearing Lager; Lager; Roulement	1	25932	
27	Sleeve Hylsa; Hülse; Douille	1	151866	
28	Sealing ring Tätning; Dichtungsring; Bague d'étanchéité	1	29539	
29	Locking ring Spårring; Schliessring; Circlip	1	20009	
30	Locking ring Spårring; Schliessring; Circlip	1	20041	
31	Key Kil; Keil; Clavette	1	26547	
32	Nut Mutter; Mutter; Ecrou	3	20081	
33	Washer Bricka; Scheibe; Rondelle	3	22528	
34	Screw Skruv; Schraube; Vis	2	180096	
35	Bracket Fäste; Halterung; Support	1	170382	
36	Bracket Fäste; Halterung; Support	1	170383	
37	Terminal board Uttagsplint; Klemmbrett; Borne	1	170373	
38	Sealing Tätning; Dichtung; Joint	2	159224-002	
39	Contact housing Kontaktus; Kontaktvorrichtung; Engrenage de mise en action	1	159221-002	

3530-00013

P0005710



3530-00013 Drive wheel

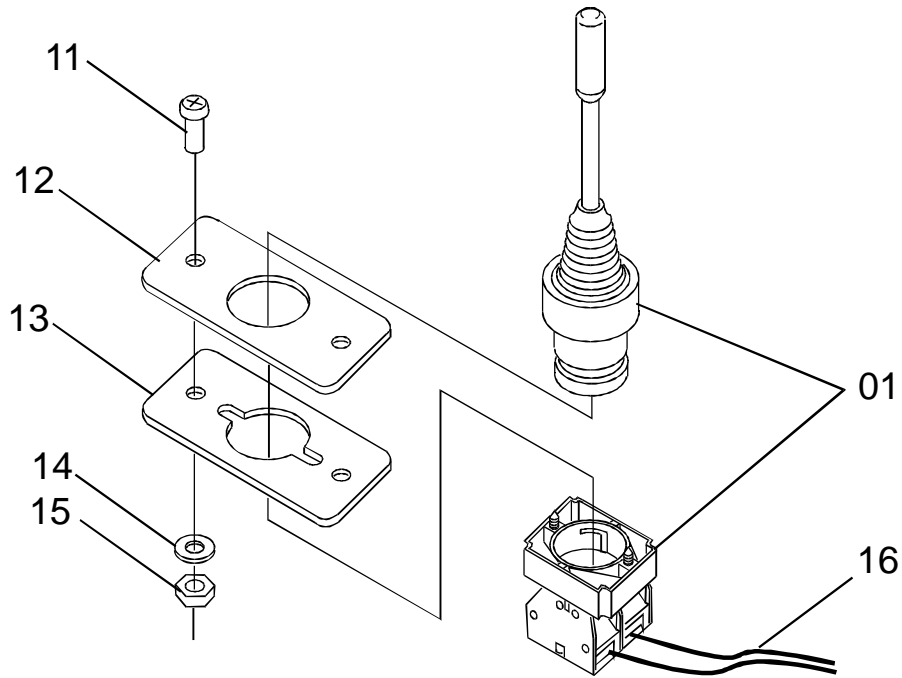
Drivhjul; Antriebsrad; Roue motrice;

[2003-04-01]

Pos	Description	Pcs	Part No	Note
01	Drive wheel(Vulkollan) Drivhjul; Antriebsrad; Roue entrainement	1	151991	
11	Nut Mutter; Mutter; Ecrou	7	20776	
12	Washer Bricka; Scheibe; Rondelle	7	158341	

5320-00009

P0004694



5320-00009 Travel direction switch (separate)

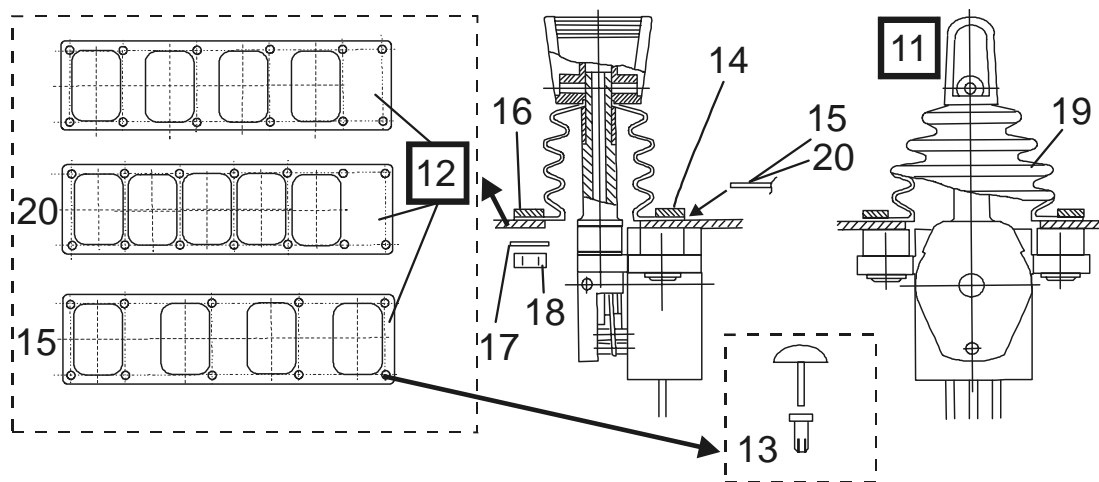
[2002-08-20]

Riktningväljare (separat); Richtungsschalter (separat); Sélecteur de direction (séparé);

Cold stores; Fryshus; Gefrieranlage; Chambre frigorifique			404 7FBRE 16C	435653 -
Pos	Description	Pcs	Part No	Note
01	Switch Brytare; Schalter; Rupteur	1	152982	
11	Screw Skruv; Schraube; Vis	2	29809	
12	Plate Plåt; Platte; Plaque	1	152732	
13	Plate Plåt; Platte; Plaque	1	152733	
14	Washer Bricka; Scheibe; Rondelle	2	21317	
15	Nut Mutter; Mutter; Ecrou	2	20257	
16	Wiring harness Kablage; Kabelsatz; Câblage	1	154312	

5510-00083

P0015571



5510-00083 Work function micro switches, potentiometers

[2003-04-01]

Arbeitsfunktionsbrytare/-potentiometer; Schalter/Potentiometer Arbeitsfunktion; Rupteurs (switches)/potentiomètres;

Pos	Description	Pcs	Part No	Note
11	Joystick Joystick; Joystick; Joystick	4	201893	
12	Panel(Kit) Panel(Sats); Paneel(satz); Panneau(Jeux)	1	145137	
13	Rivet(Plastic) Nit(Plast); Niet(Kunststoff); Rivet(Plastique)	4	29760	
14	Screw Skruv; Schraube; Vis	2	29530	
15	Packing Packning; Packung; Étanchage	1	153228	Cold stores Fryshus; Gefrieranlage; Chambre frigorifique
16	Screw Skruv; Schraube; Vis	2	29530	Cold stores Fryshus; Gefrieranlage; Chambre frigorifique
17	Washer Bricka; Scheibe; Rondelle	2	21307	Cold stores Fryshus; Gefrieranlage; Chambre frigorifique
18	Nut Mutter; Mutter; Ecrou	2	20235	Cold stores Fryshus; Gefrieranlage; Chambre frigorifique
19	Bellows(Rubber) Bälg(Gummi); Balg(Gummi); Soufflet(Gomme)	4	151474-001	
20	Packing Packning; Packung; Étanchage	1	161090	Cold stores Fryshus; Gefrieranlage; Chambre frigorifique

CLICK HERE TO **DOWNLOAD** THE COMPLETE MANUAL

- Thank you very much for reading the preview of the manual.
- You can download the complete manual from: www.heydownloads.com by clicking the link below

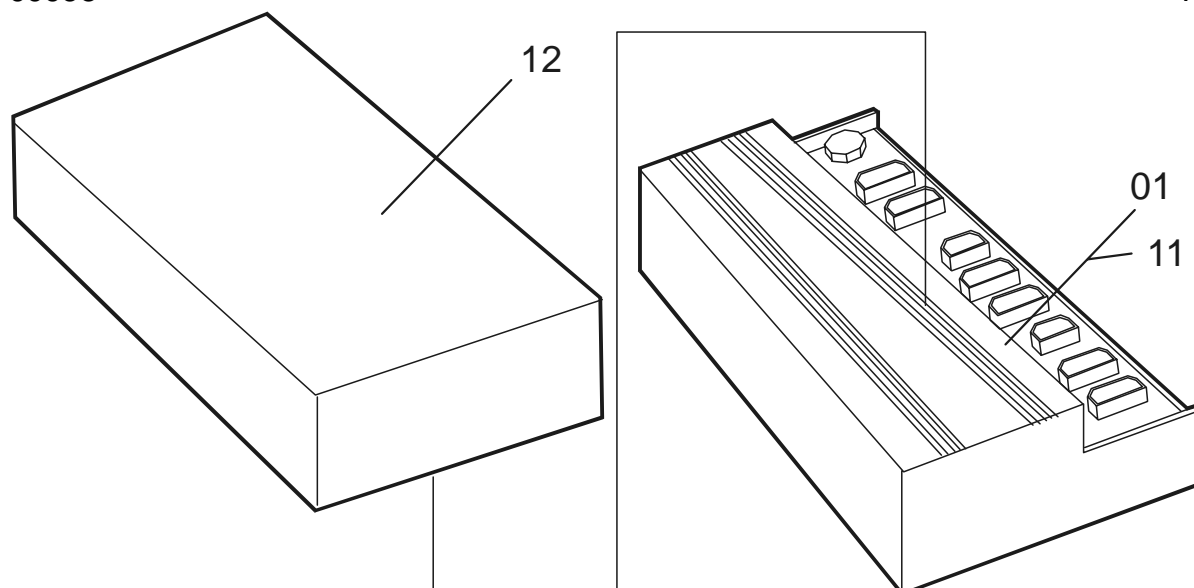


- Please note: If there is no response to CLICKING the link, please download this PDF first and then click on it.

CLICK HERE TO **DOWNLOAD** THE COMPLETE MANUAL

5710-00098

P0018286



5710-00098 Drive/multi-function PCBs

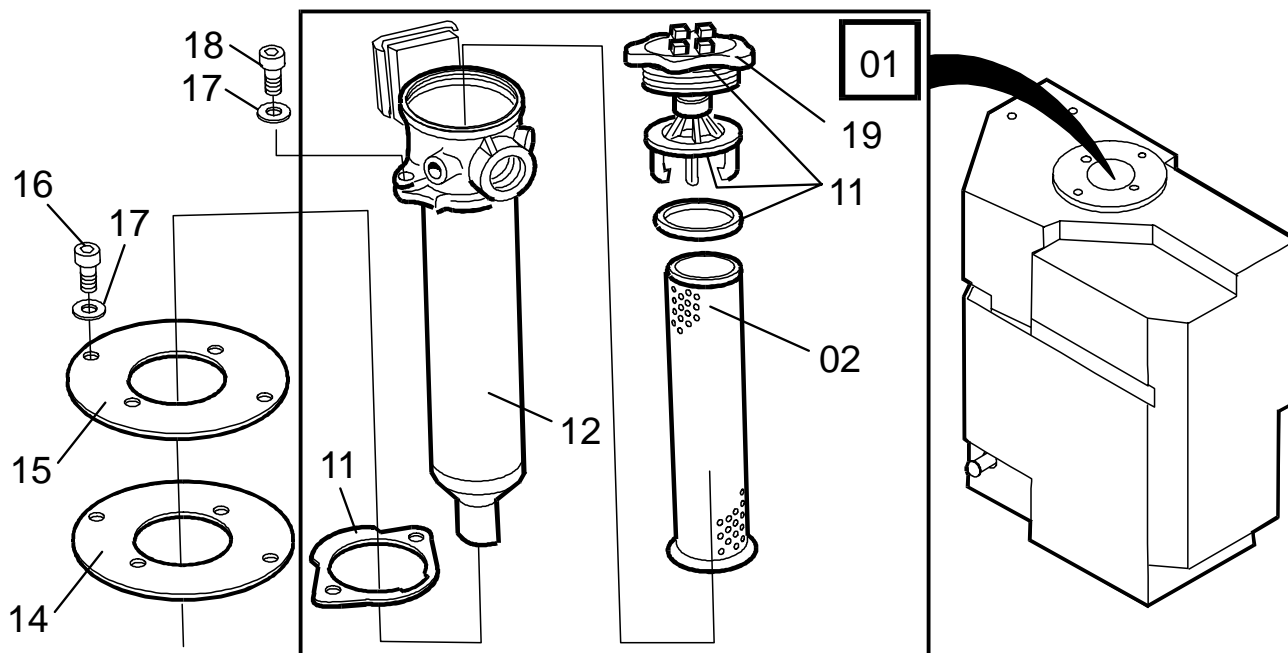
[2003-04-01]

Elektronikkort åkning/kombination; Elektronikkarten Fahren/kombination; Cartes électroniques déplacement/combinaison;

Pos	Description	Pcs	Part No	Note
			403 7FBRE 16 404 7FBRE 16C	577200 - 577200 -
01	Logic box(Complete) Logikbox(Komplett); Steuerbox(Komplett); Boite de lougique(Comple)	1	170600-502	Replaced by new spare part Ersatt av ny reservdel; Ersetzen mit neue Ersatzteil; Remplacement, nouv pièce de rechange
01	Logic box(Complete) Logikbox(Komplett); Steuerbox(Komplett); Boite de lougique(Comple)	1	170600-503	
11	Logic box(Without program software) Logikbox(Utan programvara); Steuerbox(Ohne programmierung); Boite de lougique(Sans programme)	1	169937-001	Replaced by new spare part Ersatt av ny reservdel; Ersetzen mit neue Ersatzteil; Remplacement, nouv pièce de rechange
11	Logic box(Without program software) Logikbox(Utan programvara); Steuerbox(Ohne programmierung); Boite de lougique(Sans programme)	1	169937-002	Without program software Utan programvara; Ohne program- mierung; Sans programme
12	Housing Kåpa; Haus; Chape	1	161140	Cold stores Fryshus; Gefrieranlage; Chambre frigor- ifique

6130-00017

P0010610



6130-00017 Filters and housing

[2003-04-01]

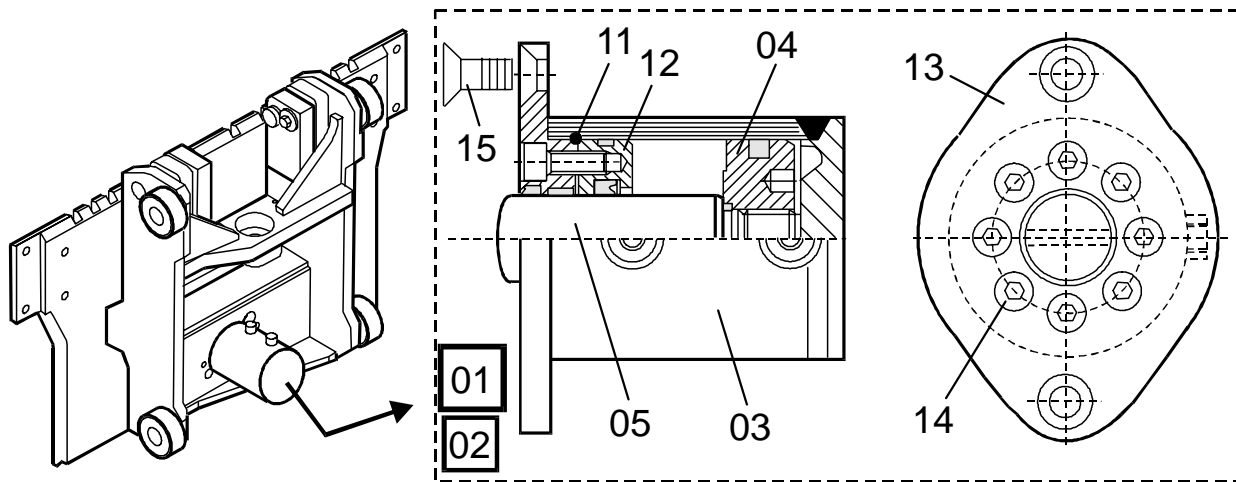
Filter, filterhus; Filter, Gehäuse; Filtres, logement de filtre;

Pos	Description	Pcs	Part No	Note
			403 7FBRE 16 404 7FBRE 16C	435653 - 435653 -
01	Filter(Complete) Filter(Komplett); Filter(Komplett); Filtre(Complet)	1	172332	
01	Filter(Complete) Filter(Komplett); Filter(Komplett); Filtre(Complet)	1	172333	Cold stores Fryshus; Gefrieranlage; Chambre frigorifique
02	Filter Filter; Filter; Filtre	1	138926	
11	Packing set Packningssats; Packungssatz; Jeux d' étanchéité.	1	173469	
12	Pipe Rör; Rohr; Tube	1	173470	
14	Packing Packning; Packung; Étanchage	1	150291	
15	Plate Plåt; Platte; Plaque	1	148368	
16	Screw Skruv; Schraube; Vis	2	20184	
17	Washer Bricka; Scheibe; Rondelle	2	22553	
18	Screw Skruv; Schraube; Vis	2	20276	
19	Cap Lock; Deckel; Couvercle	1	163658	

Pos	Description	Pcs	Part No	Note
47	Hose Slang; Schlauch; Tuyau flexible	1	151054-700	
47	Hose Slang; Schlauch; Tuyau flexible	1	151054-750	
47	Hose Slang; Schlauch; Tuyau flexible	1	151054-800	
47	Hose Slang; Schlauch; Tuyau flexible	1	151054-850	
47	Hose Slang; Schlauch; Tuyau flexible	1	151054-900	
47	Hose Slang; Schlauch; Tuyau flexible	1	151054-950	
47	Hose Slang; Schlauch; Tuyau flexible	1	151074-440	
47	Hose Slang; Schlauch; Tuyau flexible	1	151074-480	
47	Hose Slang; Schlauch; Tuyau flexible	1	151074-540	
47	Hose Slang; Schlauch; Tuyau flexible	1	151074-570	
47	Hose Slang; Schlauch; Tuyau flexible	1	155736-099	Lift height = 7100 mm Lyfthöjd = 7100 mm; Hubhöhe = 7100 mm; Hauteur de levée = 7100 mm
48	Pipe Rör; Rohr; Tube	1	151056-630	
48	Pipe Rör; Rohr; Tube	1	151056-675	
48	Pipe Rör; Rohr; Tube	1	151056-700	
48	Pipe Rör; Rohr; Tube	1	151056-750	
48	Pipe Rör; Rohr; Tube	1	151056-800	
48	Pipe Rör; Rohr; Tube	1	151056-850	
48	Pipe Rör; Rohr; Tube	1	151056-900	
48	Pipe Rör; Rohr; Tube	1	151056-950	
48	Pipe Rör; Rohr; Tube	1	151076-440	
48	Pipe Rör; Rohr; Tube	1	151076-480	
48	Pipe Rör; Rohr; Tube	1	151076-540	
48	Pipe Rör; Rohr; Tube	1	151076-570	
48	Pipe Rör; Rohr; Tube	1	155738-099	Lift height = 7100 mm Lyfthöjd = 7100 mm; Hubhöhe = 7100 mm; Hauteur de levée = 7100 mm
49	Sealing Tätning; Dichtung; Joint	2	23249	
50	Nut Mutter; Mutter; Ecrou	2	26492	
51	Screw Skruv; Schraube; Vis	2	20031	
52	Washer Bricka; Scheibe; Rondelle	2	21275	
53	Plate Plåt; Platte; Plaque	1	151948	
54	Roller Rulle; Rolle; Roleau	1	101339	Lift height = 4400 mm - 5700 mm Lyfthöjd = 4400 mm - 5700 mm; Hubhöhe = 4400 mm - 5700 mm; De élévation = 4400 mm - 5700 mm

6660-00003

P0009633



6660-00003 Tilt cylinders

[2003-04-01]

Tiltcylinder; Neigezylinder; Vérin d'inclinaison;

Without side shift; utan sidschiftaggregat; Ohne Seitenwechselgerät; Sans déplacement latéral			403 7FBRE 16 404 7FBRE 16C	435653 - 435653 -
Pos	Description	Pcs	Part No	Note
01	Tilting cylinder(Complete) Tiltcylinder(Komplett); Neigezylinder(Komplett); Verin de inclination(Complet)	1	155605	
02	Packing set Packningssats; Packungssatz; Jeux d'étanchéité.	1	154465	
03	Cylinder pipe Cylinderrör; Zylinderrohr; Tube de cylindre	1	154894	
04	Piston Kolv; Kolben; Piston	1	154893	
05	Piston rod Kolvstång; Kolbenstange; Tige de piston	1	157304	
11	Locking wire Låstråd; Schlossdraht; Cheville	1	154897	
12	Top guide Toppstyrning; Topsteuerung; Guide de sommet	1	154895	
13	Cap Lock; Deckel; Couvercle	1	154896	
14	Screw Skruv; Schraube; Vis	8	29939	
15	Screw Skruv; Schraube; Vis	2	20401	

7130-00115 Main mast fork carriage

[2003-04-01]

Huvudstativokvagn; Gabel-/Aggregattr ager Haupthuberg ust; Tablier porte-fourches m at principal;

Pos	Description	Pcs	Part No	Note
			403 7FBRE 16 404 7FBRE 16C	435653 - 435653 -
11	Rod(Complete) St�ang(Komplett); Stange(Komplett); Tige(Complet)	1	152775-150	F = 480 mm, S = + - 75 mm
12	Bearing Lager; Lager; Roulement	2	21156	
13	Locking ring Sp�arring; Schliessring; Circlip	2	21157	
14	Locking ring Sp�arring; Schliessring; Circlip	2	20019	
15	Fork yoke Gaffelok; Gabeljoch; Porte-fourche	1	163709	H = 690 mm, S = + - 75 mm
15	Fork yoke Gaffelok; Gabeljoch; Porte-fourche	1	163710	Without E Utan E; Ohne E; Sans E
16	Screw Skruv; Schraube; Vis	2	20459	
17	Slide plate Glidplatta; Gleitplatte; Plaque de incline	1	147567	
18	Bracket F�aste; Halterung; Support	1	148527	
19	Bracket F�aste; Halterung; Support	1	152668	
20	Slide plate Glidplatta; Gleitplatte; Plaque de incline	1	147568	
21	Locking pin Sp�annstift; Spannstift; Goupille	1	20174	
22	Screw Skruv; Schraube; Vis	2	20401	
23	Screw Skruv; Schraube; Vis	4	28344	
24	Hook Hake; Haken; Crochet	2	160965	
25	Guide Styrning; Steuerung; Guidage	2	149048	
26	Screw Skruv; Schraube; Vis	2	29890	
27	Nut Mutter; Mutter; Ecrou	2	20777	
28	Distance piece(30 x 42 x 0,1) Distans; Distanz; Distance		21881	Lift height = 4400 mm - 5700 mm Lyfth�jd = 4400 mm - 5700 mm; Hubh�he = 4400 mm - 5700 mm; De �l�vation = 4400 mm - 5700 mm
28	Distance piece(30 x 42 x 0,2) Distans; Distanz; Distance		21882	Lift height = 4400 mm - 5700 mm Lyfth�jd = 4400 mm - 5700 mm; Hubh�he = 4400 mm - 5700 mm; De �l�vation = 4400 mm - 5700 mm
28	Distance piece(30 x 42 x 0,3) Distans; Distanz; Distance		21883	Lift height = 4400 mm - 5700 mm Lyfth�jd = 4400 mm - 5700 mm; Hubh�he = 4400 mm - 5700 mm; De �l�vation = 4400 mm - 5700 mm
28	Distance piece(30 x 42 x 0,5) Distans; Distanz; Distance		21884	Lift height = 4400 mm - 5700 mm Lyfth�jd = 4400 mm - 5700 mm; Hubh�he = 4400 mm - 5700 mm; De �l�vation = 4400 mm - 5700 mm
28	Distance piece(30 x 42 x 1,0) Distans; Distanz; Distance		21885	Lift height = 4400 mm - 5700 mm Lyfth�jd = 4400 mm - 5700 mm; Hubh�he = 4400 mm - 5700 mm; De �l�vation = 4400 mm - 5700 mm

Pos	Description	Pcs	Part No	Note
11	Fork(L = 1600 mm) Gaffel; Gabel; Fourche	2	105457-160	
12	Clamp Klamma; Rohrschelle; Collier	2	24398	
13	Locking pin Spännstift; Spannstift; Goupille	2	20001	
14	Washer Bricka; Scheibe; Rondelle	2	24497	
15	Spring Fjäder; Feder; Ressort	2	24400	
16	Catch Spärr; Sperre; Arret	2	24399	
17	Catch complete(Kit) Spärr komplett(Sats); Sperre Komplett(satz); Arret complete(Jeux)	2	24545	

TOYOTA

9370-00029

Pos	Description	Pcs	Part No	Note
23	Clamp Klamma; Rohrschelle; Collier	2	20942	

CLICK HERE TO **DOWNLOAD** THE COMPLETE MANUAL

- Thank you very much for reading the preview of the manual.
- You can download the complete manual from: www.heydownloads.com by clicking the link below



- Please note: If there is no response to CLICKING the link, please download this PDF first and then click on it.

CLICK HERE TO **DOWNLOAD** THE COMPLETE MANUAL