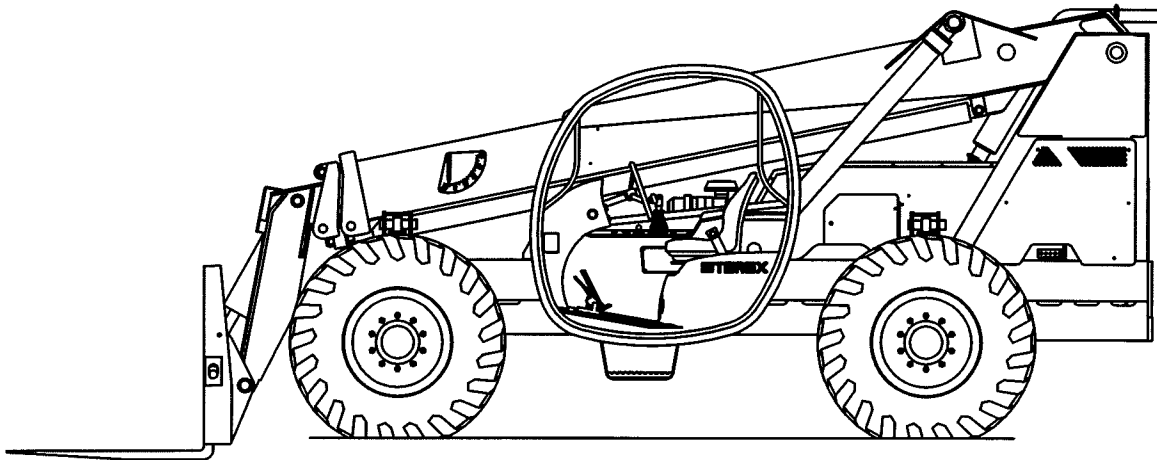


# PARTS BOOK TH844C



04-20-04

JOHN DEERE TIER II 4045 TURBO ENGINE

DANA 212 AXLES

CLARK T12000 TRANSMISSION

REMOTE MOUNTED SAF-T-CAB III

REXROTH HYDRAULIC PUMP

VOAC MAIN VALVE

VOAC 4-WAY CONTROLLER

Serial Number: \_\_\_\_\_

TEREX HANDLERS

455 N. Superior Ave., Baraga, MI 49908-0790

PH: (906) 353-6675; FAX: (906) 353-7543

INTERNET: <http://www.terex.com>

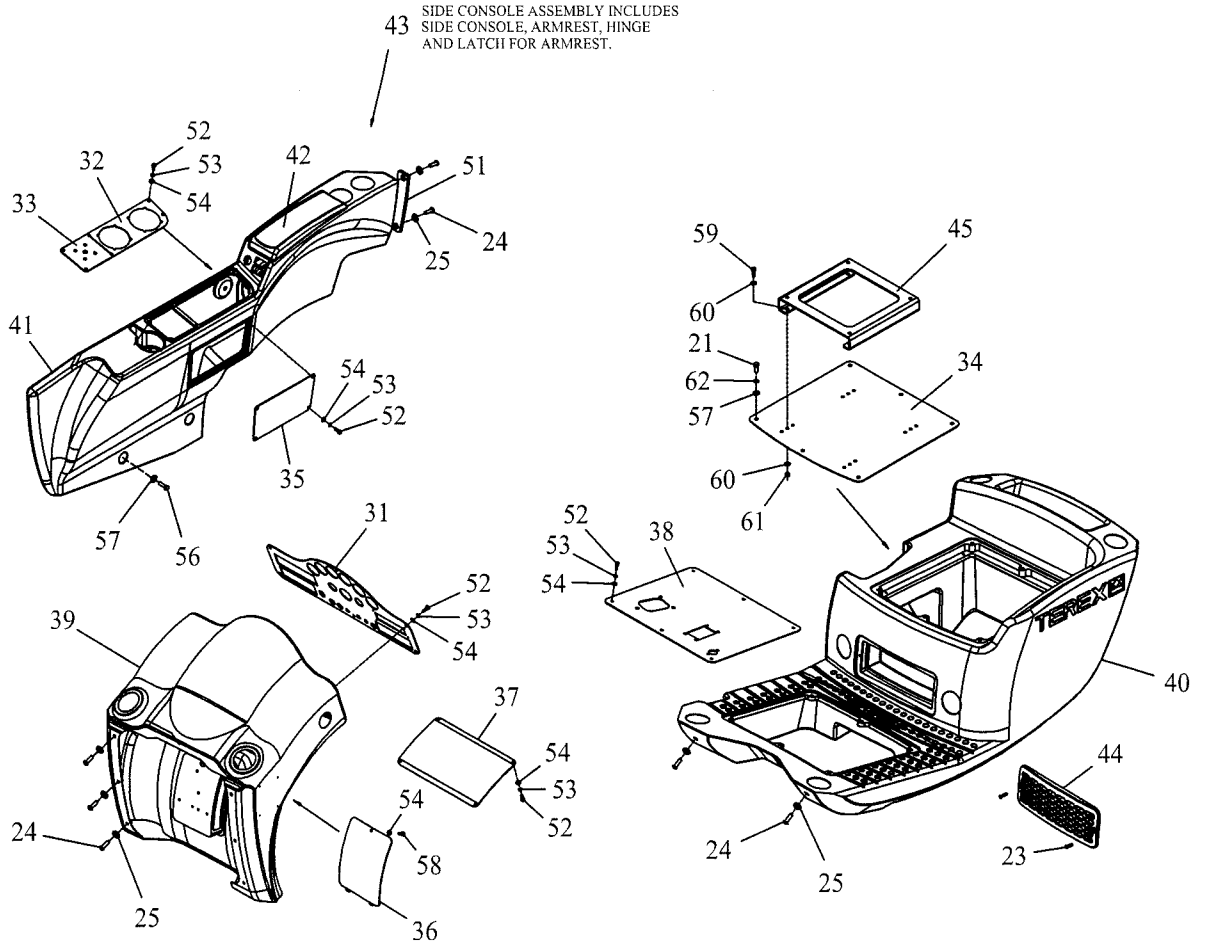
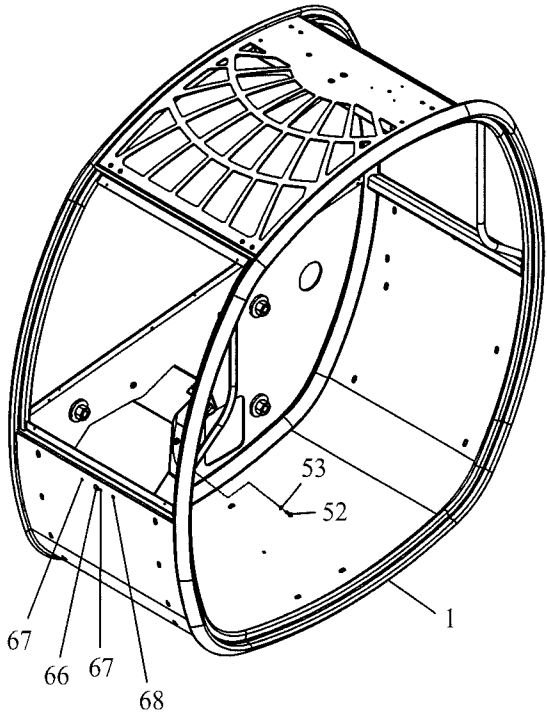
CLICK HERE TO **DOWNLOAD** THE COMPLETE MANUAL

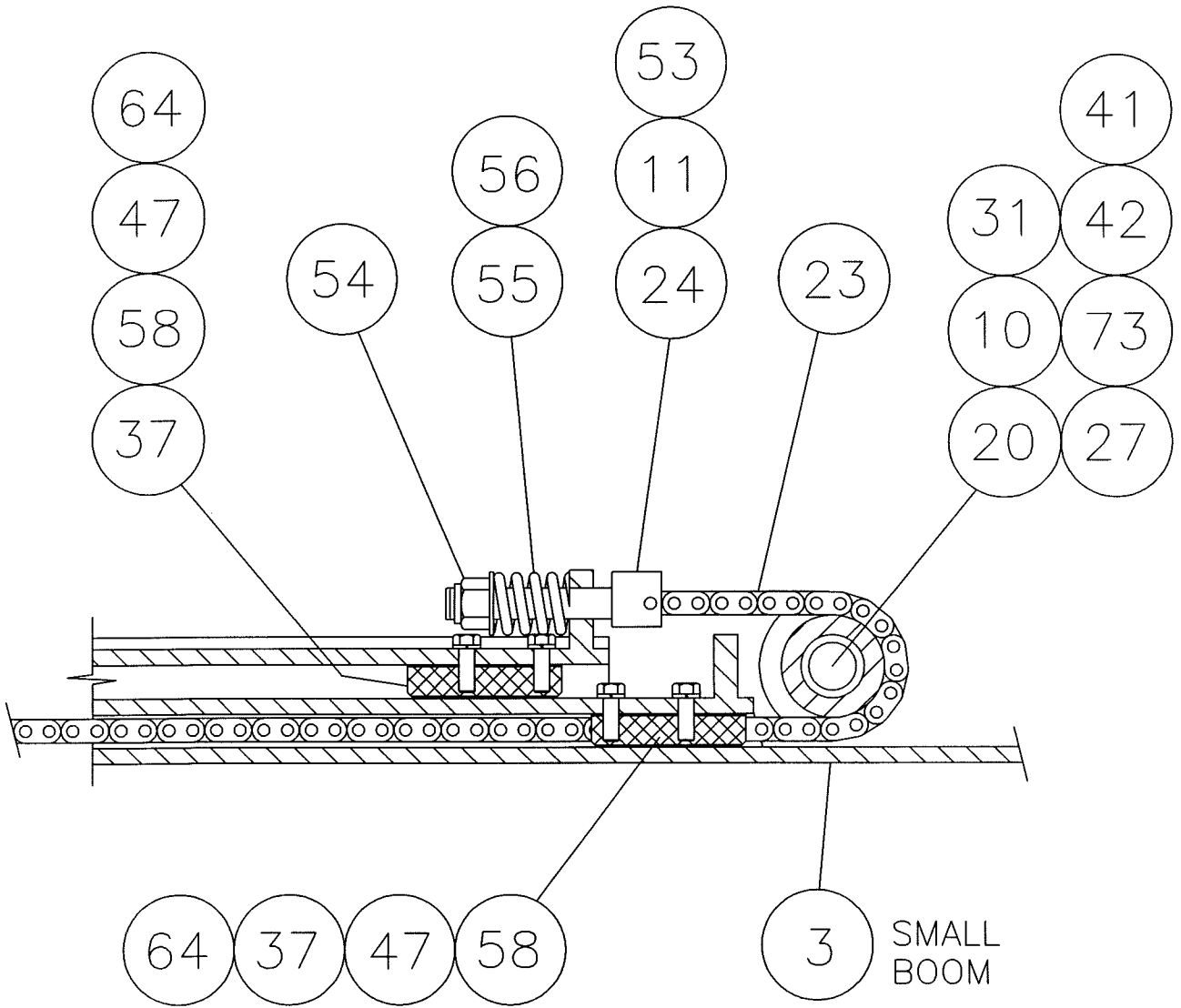
- Thank you very much for reading the preview of the manual.
- You can download the complete manual from: [www.heydownloads.com](http://www.heydownloads.com) by clicking the link below



- Please note: If there is no response to CLICKING the link, please download this PDF first and then click on it.

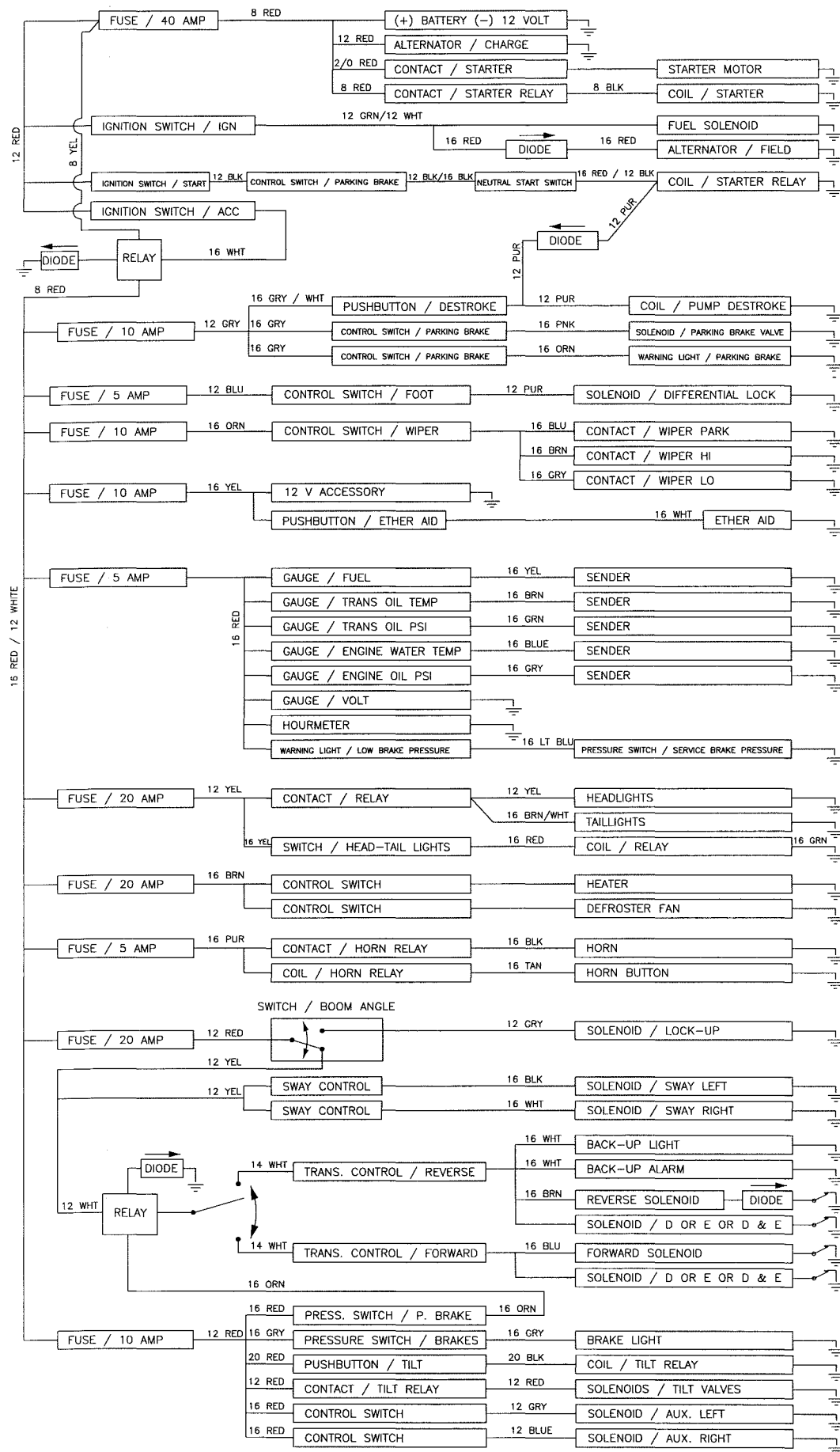
CLICK HERE TO **DOWNLOAD** THE COMPLETE MANUAL





VIEW OF EXTENSION  
CHAIN, ROLLER, & SPRING

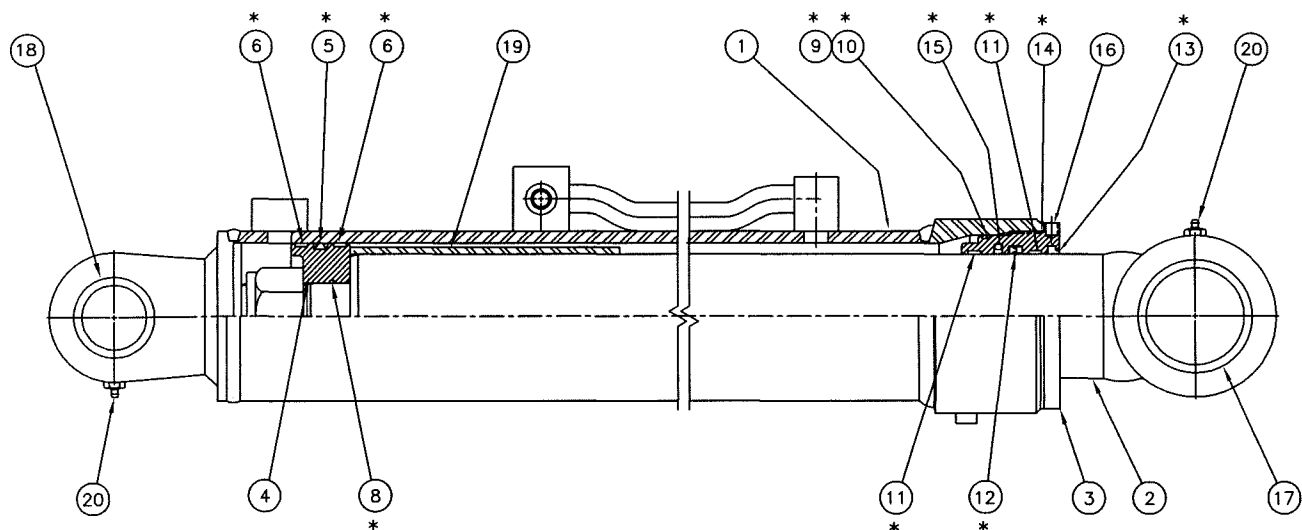
ITEM	NUMBER	DESCRIPTION	REQD
51	2-1090	PIN / BASE BOOM CYLINDER	REF
52	6-5312-12	CAPSCREW 3/4 NF x 1 1/2 LG.	2
53	6-6243-06	COTTER PIN 3/32 x 3/4 LG.	8
54	7-142-01	SELF-LOCKING NUT 1-12 THD.	1
55	7-194-01	SPRING / COMPRESSION	1
56	6-6215-16	FLATWASHER 1.0	1
57	6-6212-06	FLATWASHER 3/8	6
58	6-6211-08	LOCKWASHER 1/2	10
59	6-5312-48	CAPSCREW 3/4 NF x 6 LG.	1
60	6-4524-32	BRONZE BUSHING / LARGE BOOM	REF
61	6-5206-20	CAPSCREW 3/8 NC x 2 1/2 LG.	2
62	1-1306	WASHER / STEEL	1
63	6-6201-08	HEX NUT 1/2 NC	2
64	1-1101-3	SHIM / 3/16	4
65	2-1109	CLAMP / 1/2 HOSE	1
66	6-5206-18	CAPSCREW 3/8 NC x 2 1/4 LG.	2
67	3-1244-2	SPACER / MANIFOLD BLOCK	1
68	4-1074-3B	ROLLER / S-BOOM / REAR-BOT	2
69	4-1073-1	PIN / S-BOOM / REAR-BOT	1
70	6-6600-03	THRUST WASHER 3.00 x 2.00 x .188	2
71	7-193-07	NEEDLE BEARING / 2.000 ID	REF
72	6-6275-05	SETSCREW 5/8 NC x 1 LG.	1
73	6-5206-22	CAPSCREW 3/8 NC x 2 3/4 LG.	1
74	6-5206-28	CAPSCREW 3/8 NC x 3 1/2 LG.	1
75	6-6301	LUBE FITTING 1/8 NPT STR	4
76	6-6306	LUBE FITTING 1/4-28 STR	8
77	6-6275-07	SETSCREW 5/8 NC x 5/8 LG.	1
78	6-6600-06	THRUST WASHER 4.00 x 2.00 x .125	2
79	7-277-01	EDGING 1/2 x 14 LG.	14
80	3-1404	SWITCH ACTIVATOR	1
81	6-6275-04	SETSCREW 3/8 NC x 3/4 LG.	3
82	6-6275-06	SETSCREW 1/4 NF x 1/4 LG.	4





ITEM	NUMBER	DESCRIPTION	REQD
1	7-200-139	CONTROLLER / 4-WAY	REF
2	6-5204-06	CAPSCREW 1/4 NC x 3/4 LG.	4
3	6-6212-04	FLATWASHER 1/4	4
4	6-6211-04	LOCKWASHER 1/4	4
5	6-6201-04	HEX NUT 1/4 NC	4
6	7-367-09	VALVE / ELECTRIC 4-WAY (2)	REF
7	6-5204-14	CAPSCREW 1/4 NC x 1 3/4 LG.	4
8	6-6211-04	LOCKWASHER 1/4	4
9	6-6212-04	FLATWASHER 1/4	4
10	7-244-27	DIN CONNECTOR	REF
11	6-7022-34	HOSE / 04 x 04-90 x 17 LG.	1
12	6-7002-204	HOSE / 04 x 04 x 102 LG.	1
13	6-7023-62	HOSE / 06 x 06-90 x 31 LG.	1
14	6-7002-244	HOSE / 04 x 04 x 122 LG.	2
15	6-7002-17	HOSE / 04 x 04 x 8 1/2 LG.	1
16	6-7002-26	HOSE / 04 x 04 x 13 LG.	1
17	6-7002-276	HOSE / 04 x 04 x 138 LG.	2
18	6-7002-34	HOSE / 04 x 04 x 17 LG.	1
19	6-7022-60	HOSE / 04 x 04-90 x 30 LG.	1
20	6-7023-120	HOSE / 06 x 06-90 x 60 LG.	1
21	6-7003-212	HOSE / 06 x 06 x 106 LG.	1
22	6-7022-44	HOSE / 04 x 04-90 x 22 LG.	1
23	6-7022-28	HOSE / 04 x 04-90 x 14 LG.	1
24	6-7023-32	HOSE / 06 x 06-90 x 16 LG.	REF
25	6-6450-05	FITTING / 06 OR x 04 JIC STR.	9
26	6-6450-08	FITTING / 06 OR x 06 JIC STR.	1
27	6-6452-19	FITTING / 06 OR x 04 JIC 45	2
28	6-6453-04	FITTING / 06 OR x 04 JIC 90	10
29	6-6455-05	FITTING / 06 OR x 06 JIC RN-TEE	2
30	6-6455-15	FITTING / 06 OR x 04 JIC RN-TEE	1
31	6-6480-03	FITTING / 04 JIC SW-BR-TEE	1
32	6-6455-05	FITTING / 06 OR x 06 JIC RN-TEE	1
33	6-6450-08	FITTING / 06 OR x 06 JIC STR.	REF

ITEM	NUMBER	DESCRIPTION	REQD
1	6-6450-05	FITTING / 06 OR x 04 JIC STR.	1
2	6-6452-19	FITTING / 06 OR x 04 JIC 45	3
3	7-256-27	PRESSURE CHECK / MALE	2
4	7-302-01	PRESSURE CHECK / MALE	2
5	6-7022-30	HOSE / 04 x 04-90 x 15 LG.	1
6	6-7002-34	HOSE / 04 x 04 x 17 LG.	3
7	7-234-94	CONTROL BLOCK	REF
8	7-234-50	VALVE / TILT LIMITER	REF
9	6-6457-05	FITTING / 06 OR PLUG	2



ITEM	NUMBER	DESCRIPTION	REQD
1	7-316-420	BARREL ASSEMBLY	1
2	7-316-418	ROD ASSEMBLY	1
3	7-316-421	HEAD	1
4	7-316-422	PISTON	1
5	7-316-54	SEAL / PISTON	(*) 1
6	7-316-409	WEAR RING / PISTON	(*) 2
7	7-316-417	SELF-LOCKING NUT	1
8	7-316-410	O-RING / STUB SHAFT	(*) 1
9	7-316-416	O-RING / HEAD	(*) 1
10	7-316-414	BACK-UP RING / HEAD	(*) 1
11	7-316-413	WEAR RING / HEAD	(*) 2
12	7-316-412	ROD SEAL / HEAD	(*) 1
13	7-316-415	WIPER / SHAFT	(*) 1
14	7-316-336	O-RING	(*) 1
15	7-316-411	BUFFER SEAL	(*) 1
16	7-316-247	SELF TAPPING SCREW	1
17	7-316-155	BRONZE BUSHING / Ref 6-4524-32	1
18	7-316-156	BRONZE BUSHING / Ref 6-4516-24	1
19	7-316-419	STROKE LIMITER	1
20	7-316-150	LUBE FITTING	2
21			
22	7-900-117	SEAL KIT / ITEMS MARKED	(*) REF

CLICK HERE TO **DOWNLOAD** THE COMPLETE MANUAL

- Thank you very much for reading the preview of the manual.
- You can download the complete manual from: [www.heydownloads.com](http://www.heydownloads.com) by clicking the link below

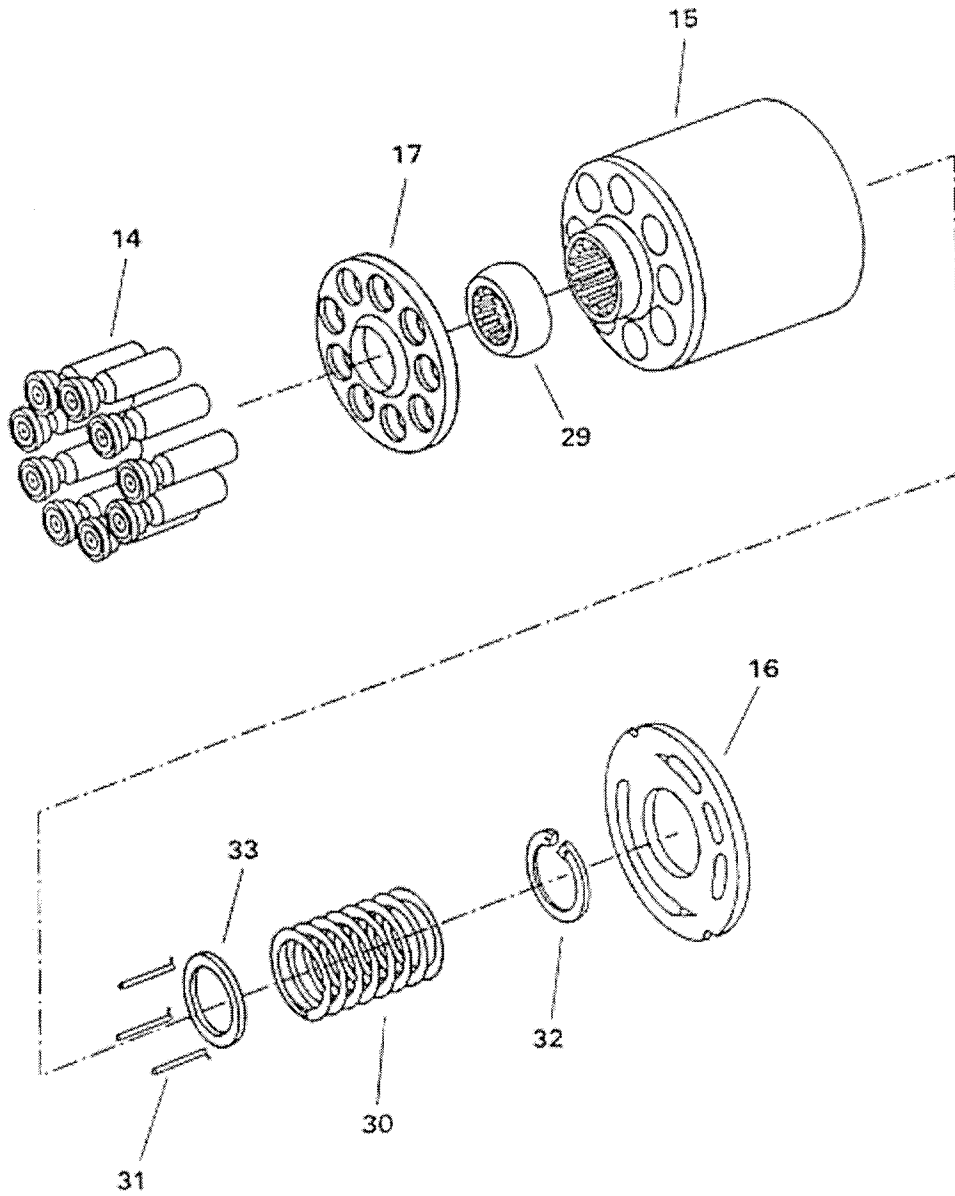


- Please note: If there is no response to CLICKING the link, please download this PDF first and then click on it.

CLICK HERE TO **DOWNLOAD** THE COMPLETE MANUAL

ITEM	NUMBER	DESCRIPTION	REQD
1	7-147-49	DUST SEAL* (INCLUDED WITH ITEM 30)	1
2	7-147-16	RETAINING RING	1
3	7-147-10	FRONT COVER	1
4	7-147-15	X-RING* (INCLUDED WITH ITEM 30)	1
5	7-147-09	O-RING* (INCLUDED WITH ITEM 30)	1
6	7-147-17	BEARING RACE 1	1
	7-147-19	BEARING RACE 2	1
7	7-147-18	THRUST BEARING	1
8	7-147-32	RING	1
9	7-147-12	SPRING, FLAT	2
	7-147-13	SPRING	4
10	7-147-50	CONTROL SLEEVE** (SOLD WITH ITEM 12)	1
11	7-147-31	PIN	1
12	7-147-51	CONTROL SPOOL** (SOLD WITH ITEM 12)	1
13	7-147-52	HOUSING	1
14	7-147-33	PLUG	1
15	7-147-34	O-RING* (INCLUDED WITH ITEM 30)	1
16	7-147-35	VALVE SEAT	1
17	7-147-36	O-RING* (INCLUDED WITH ITEM 30)	1
18	7-147-37	BALL	1
19	7-147-38	CROSS SUPPORT	1
20	7-147-29	DRIVE	1
21	7-147-53	CANT SEAL* (INCLUDED WITH ITEM 30)	3
22	7-147-23	DISTRIBUTOR PLATE	1
23	7-147-28	GEAR WHEEL SET	1
24	7-147-26	SPACER	1
25	7-147-27	END COVER	1
26	7-147-25	WASHER	7
27	7-147-24	SCREW	7
28	7-147-54	NAME PLATE	1
29	7-147-55	RIVET	1
30	7-147-56	*SEAL KIT (INCL. ITEMS 1,4,5,15,17, & 21)	REF

ITEM 2  
ROTARY GROUP CW  
PARTS BREAKDOWN



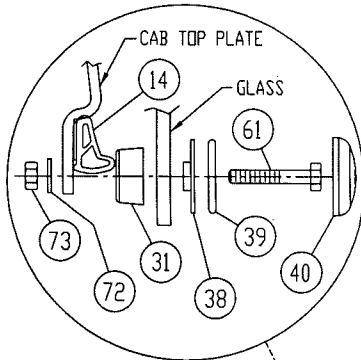
DRAWING  
NUMBER

P1-1975

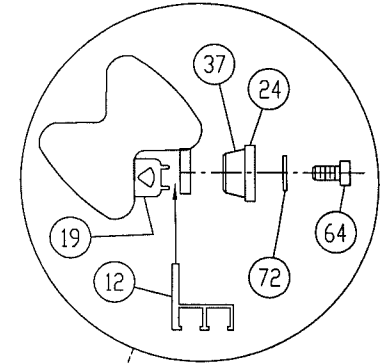
FULLY ENCLOSED CAB ASSEMBLY / SAF-T-CAB III  
TH844C

PAGE  
NUMBER

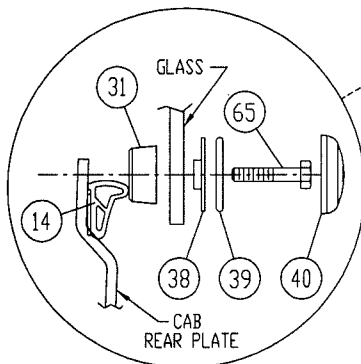
58A



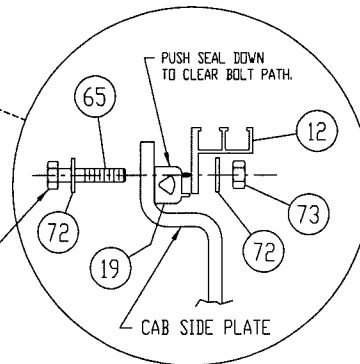
TYPICAL REAR GLASS  
TOP EDGE BOLTING PATTERN  
5X SCALE



WINDOW CLAMP INSTALL  
5X SCALE



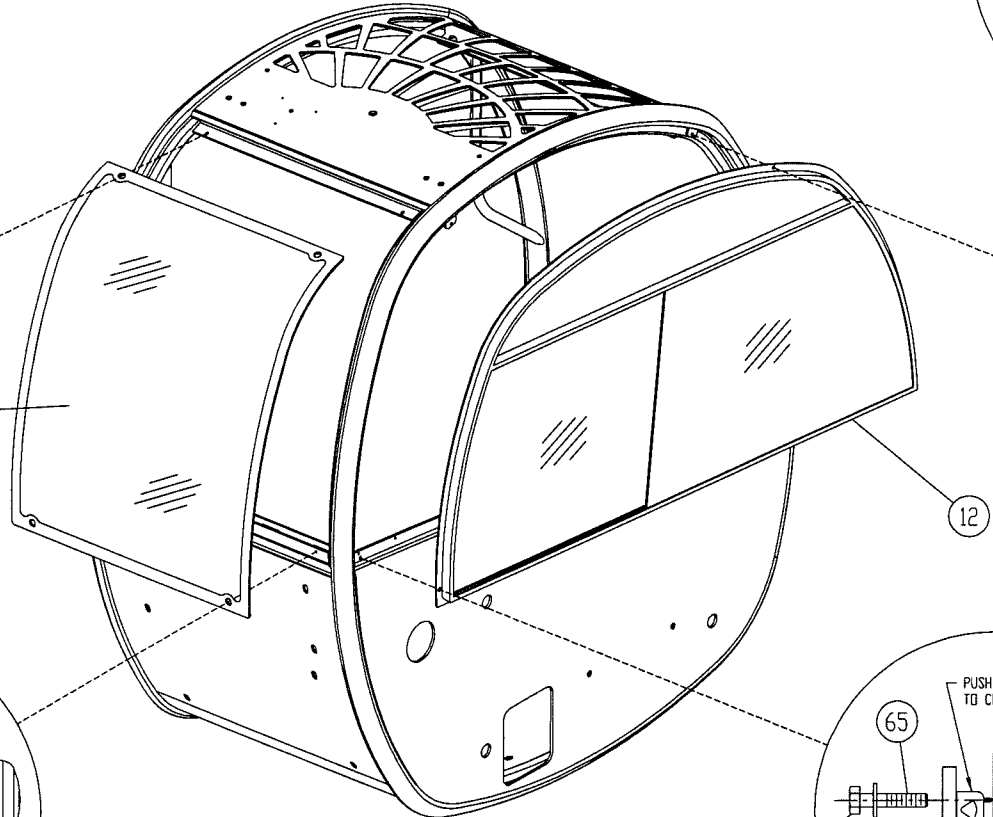
TYPICAL REAR GLASS  
BOTTOM EDGE BOLTING PATTERN  
5X SCALE

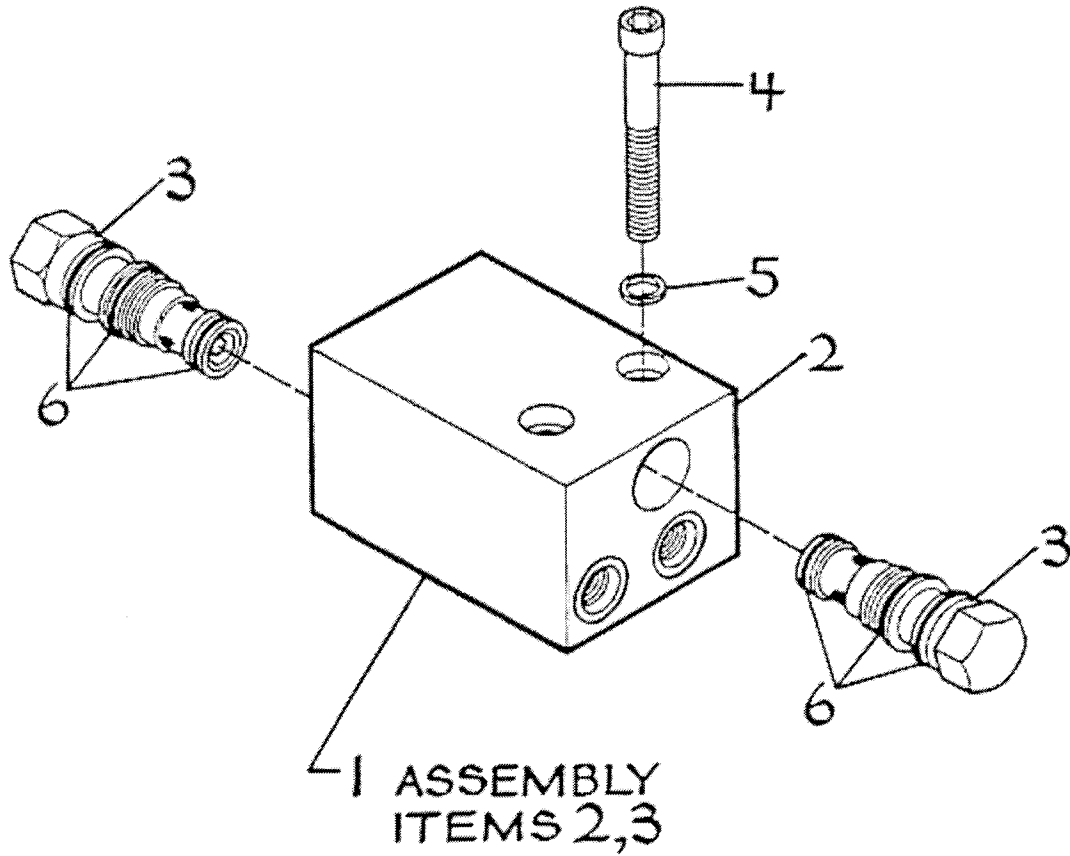


TYPICAL BOTTOM EDGE  
BOLTING PATTERN  
5X SCALE

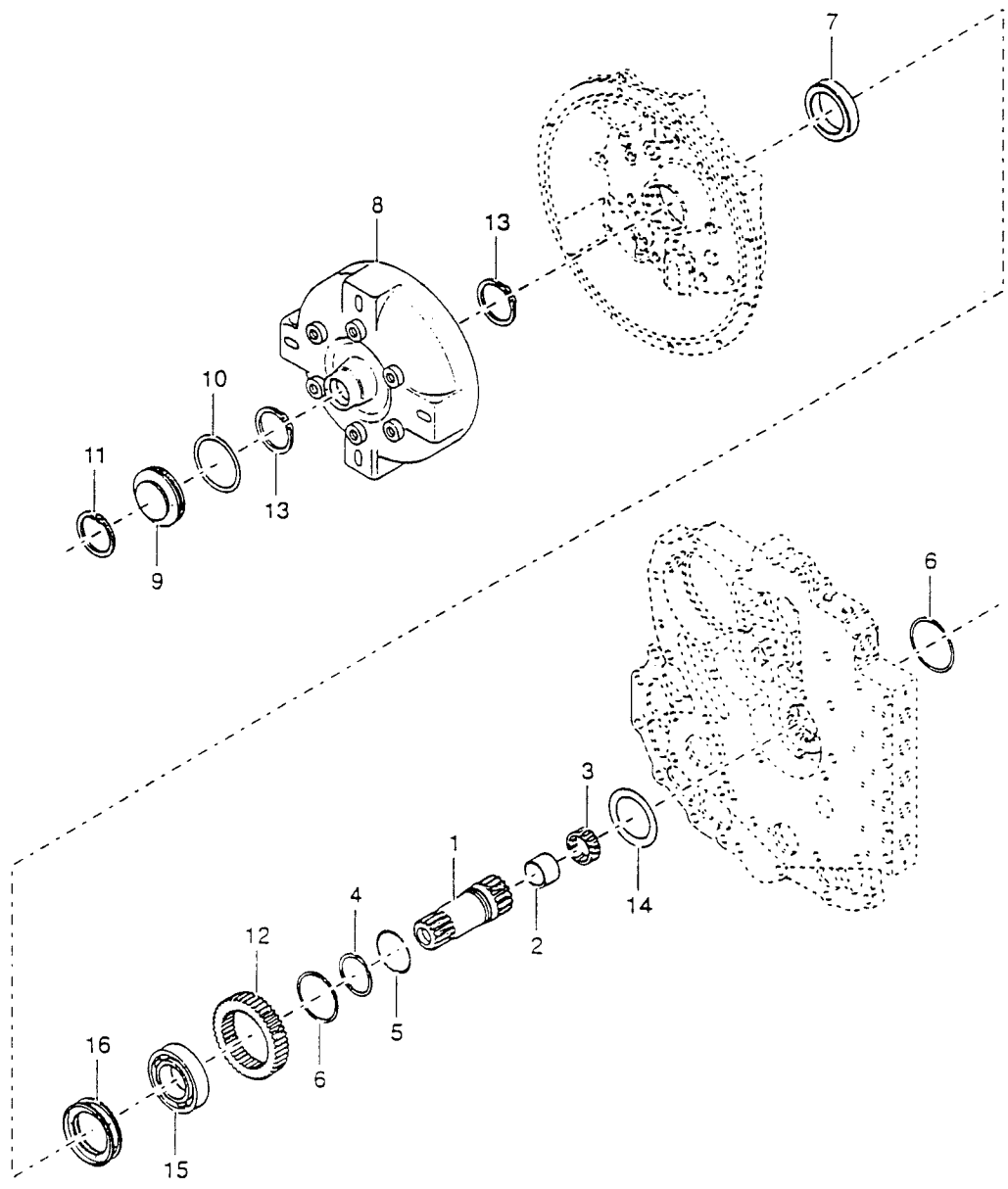
BOLT HEAD INSIDE FOR  
THE 3 REAR HOLES, OUTSIDE  
FOR THE FRONT HOLE

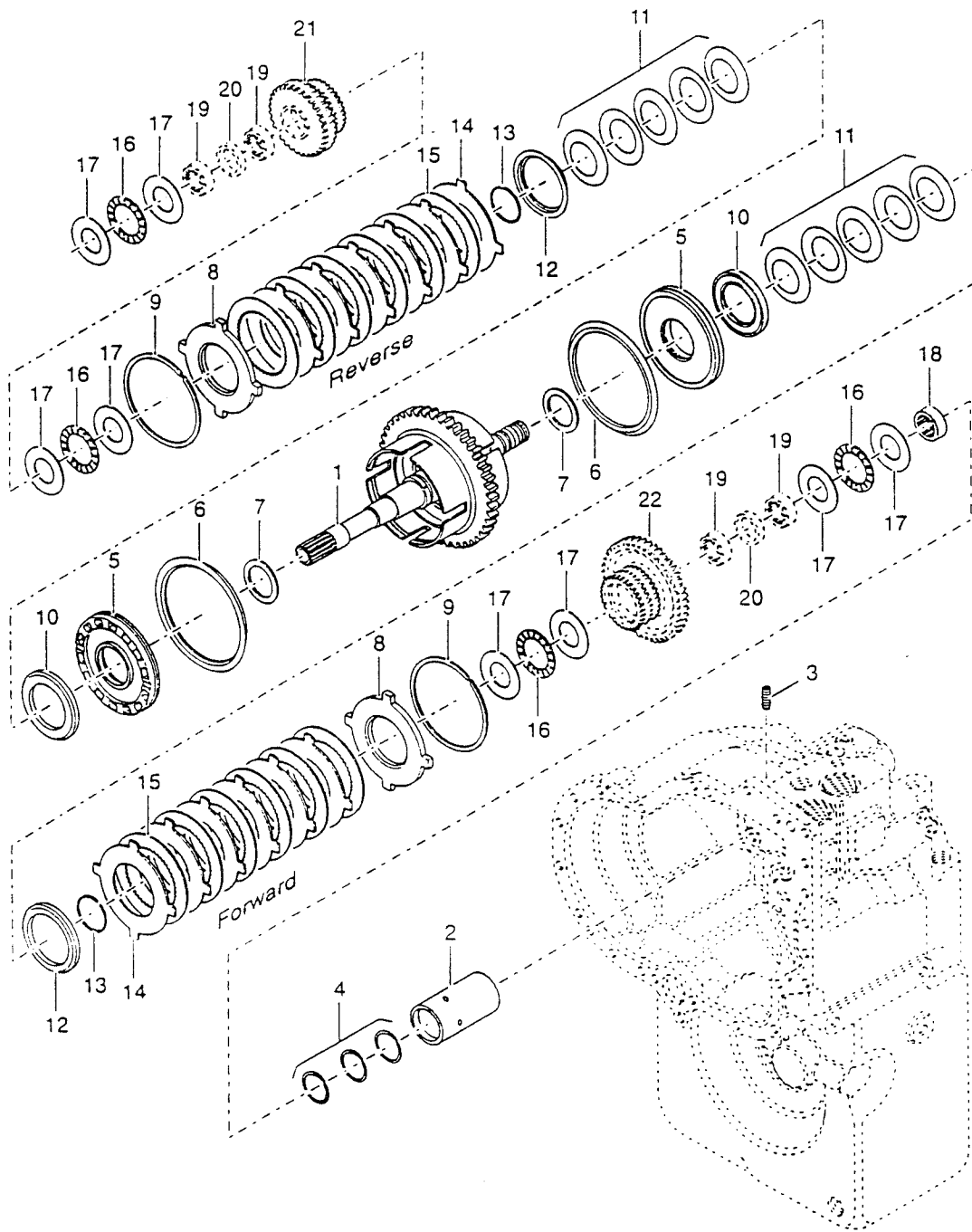
NOTE:  
THIS PATTERN USES THE  
5/16" DRILLED THROUGH  
HOLES IN THE SIDE PLATE

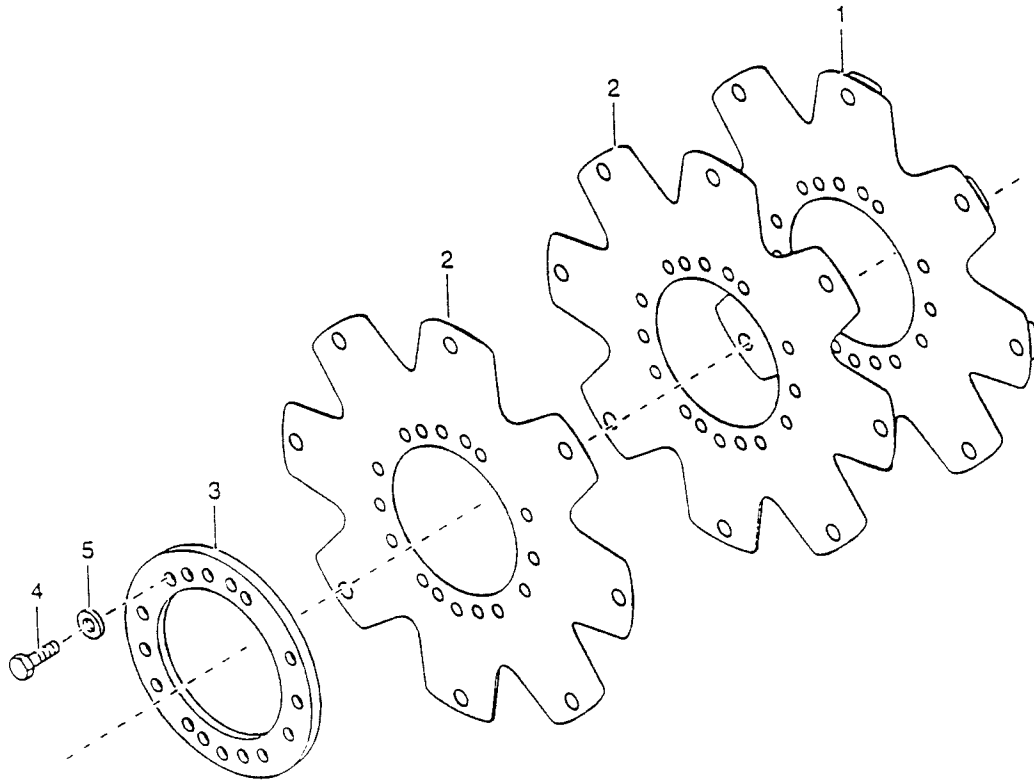




ITEM	NUMBER	DESCRIPTION	REQD
1	7-234-35	DUAL PILOT CHECK VALVE ASSEMBLY	1
2	7-234-46	BODY	1
3	7-234-18	CARTRIDGE / PILOT CHECK	2
4	6-5605-20	CAPSCREW SH 5/16 NC x 2 1/2 LG.	2
5	6-6214-05	LOCKWASHER 5/16 HI-COLLAR	2
6	7-234-29	SEAL KIT	2





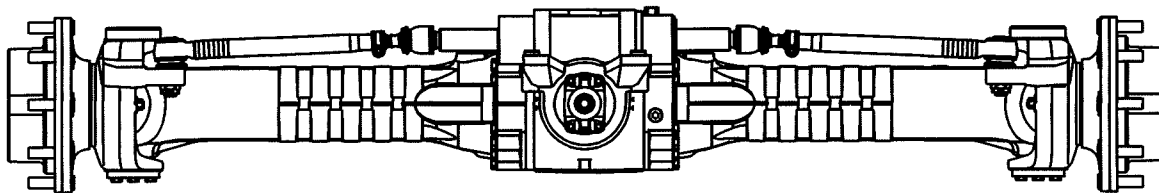


ITEM	NUMBER	DESCRIPTION	REQD
1	N.S.S.	DRIVE PLATE w/ WELD NUTS	1
2	N.S.S.	DRIVE PLATE	2
3	7-126-60	DRIVE PLATE BACKING RING	1
4	7-126-516	SCREW	6
5	7-126-54	LOCKWASHER	6
6	7-126-383	DRIVE PLATE KIT (INCLUDES ITEMS 1-5)	1

N.S.S. = NOT SOLD SEPARATELY

ITEM	NUMBER	DESCRIPTION	REQD
51			
52			
53			
54			
55			
56			
57		SHIM / SEE ITEMS 61-63 BELOW	
58			
59			
60	7-229-683	PLANET GEAR CARRIER ASSY (ITEMS 33-37,41,44)	2
61	7-229-602	SHIM / 0.15mm	AR
62	7-229-603	SHIM / 0.20mm	AR
63	7-229-604	SHIM / 0.50mm	AR

REAR AXLE  
PARTS BOOK  
TH636C TH644C TH842C TH844C



DATE: 9-7-99  
SPICER CLARK-HURTH 212/184 AXLE  
7-229-619 STEERING CYLINDER

TEREX HANDLERS  
455 N. Superior Ave., Baraga, MI 49908-0248  
PH: (906) 353-6675; FAX: (906) 353-7543  
INTERNET: <http://www.sqshooter.com>

CLICK HERE TO **DOWNLOAD** THE COMPLETE MANUAL

- Thank you very much for reading the preview of the manual.
- You can download the complete manual from: [www.heydownloads.com](http://www.heydownloads.com) by clicking the link below



- Please note: If there is no response to CLICKING the link, please download this PDF first and then click on it.

CLICK HERE TO **DOWNLOAD** THE COMPLETE MANUAL