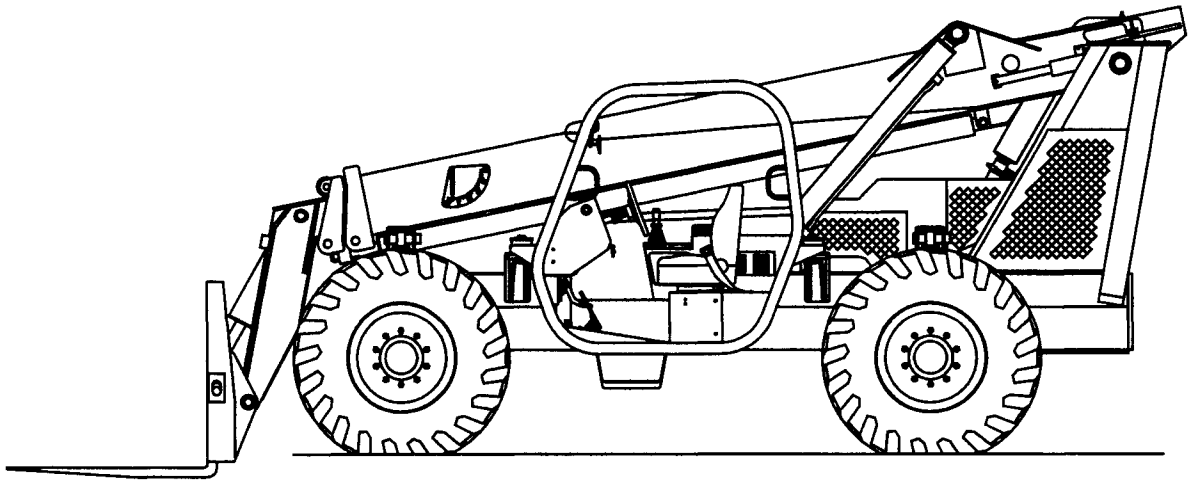


PARTS BOOK TH842C



DATE: 2-28-03

JOHN DEERE POWERTECH 4045T TURBO ENGINE
OR OPTIONAL

CUMMINS 4B3.9-C-100 TURBO ENGINE

DANA 212 AXLES

CLARK T12000 TRANSMISSION

REMOTE MOUNTED PATZ II CAB

REXROTH HYDRAULIC PUMP

DAVID BROWN MAIN VALVE

DAVID BROWN 4-WAY CONTROLLER

Serial Number: _____

TEREX HANDLERS

455 N. Superior Ave., Baraga, MI 49908-0248

PH: (906) 353-6675; FAX: (906) 353-7543

INTERNET: <http://www.terexlift.com>

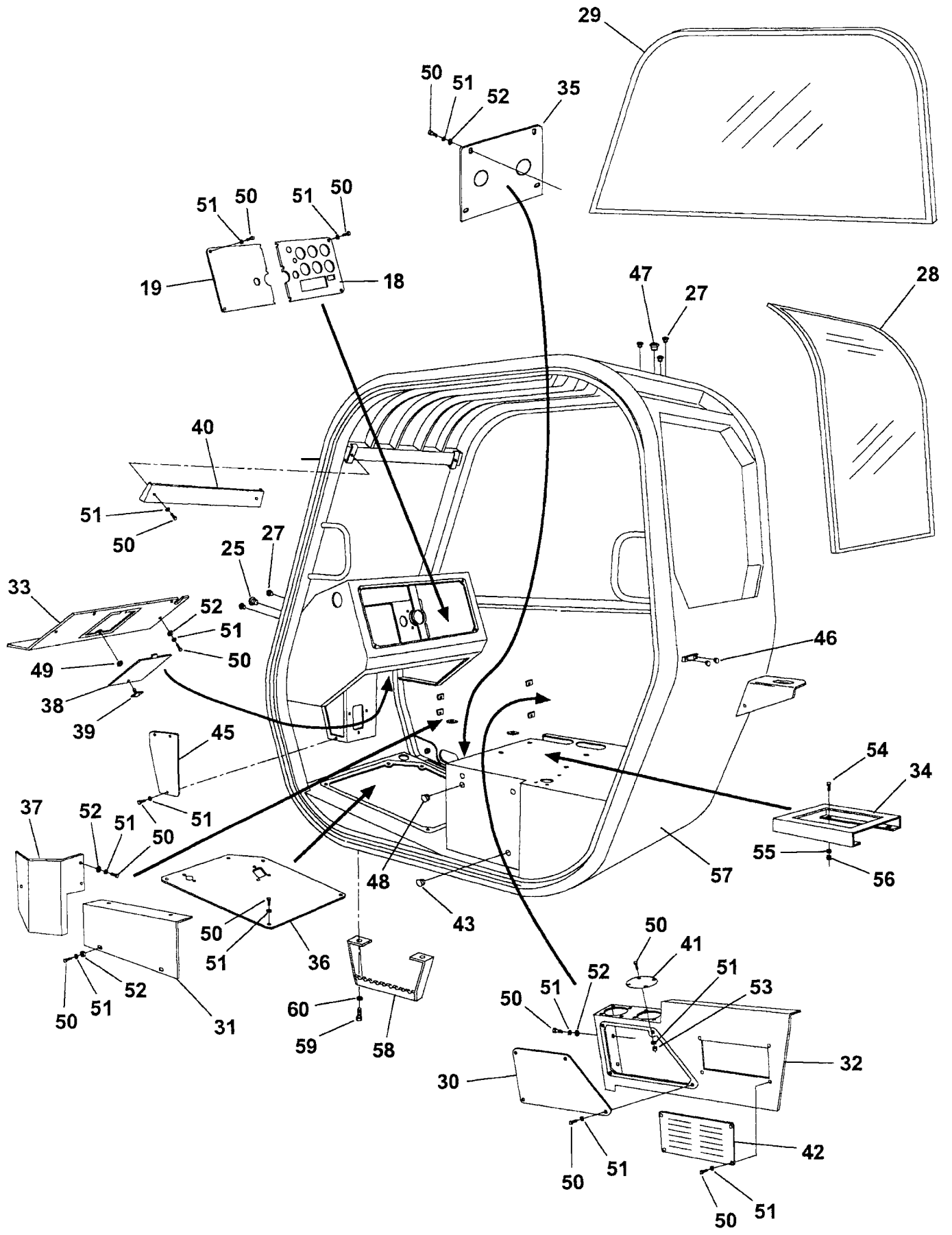
CLICK HERE TO **DOWNLOAD** THE COMPLETE MANUAL

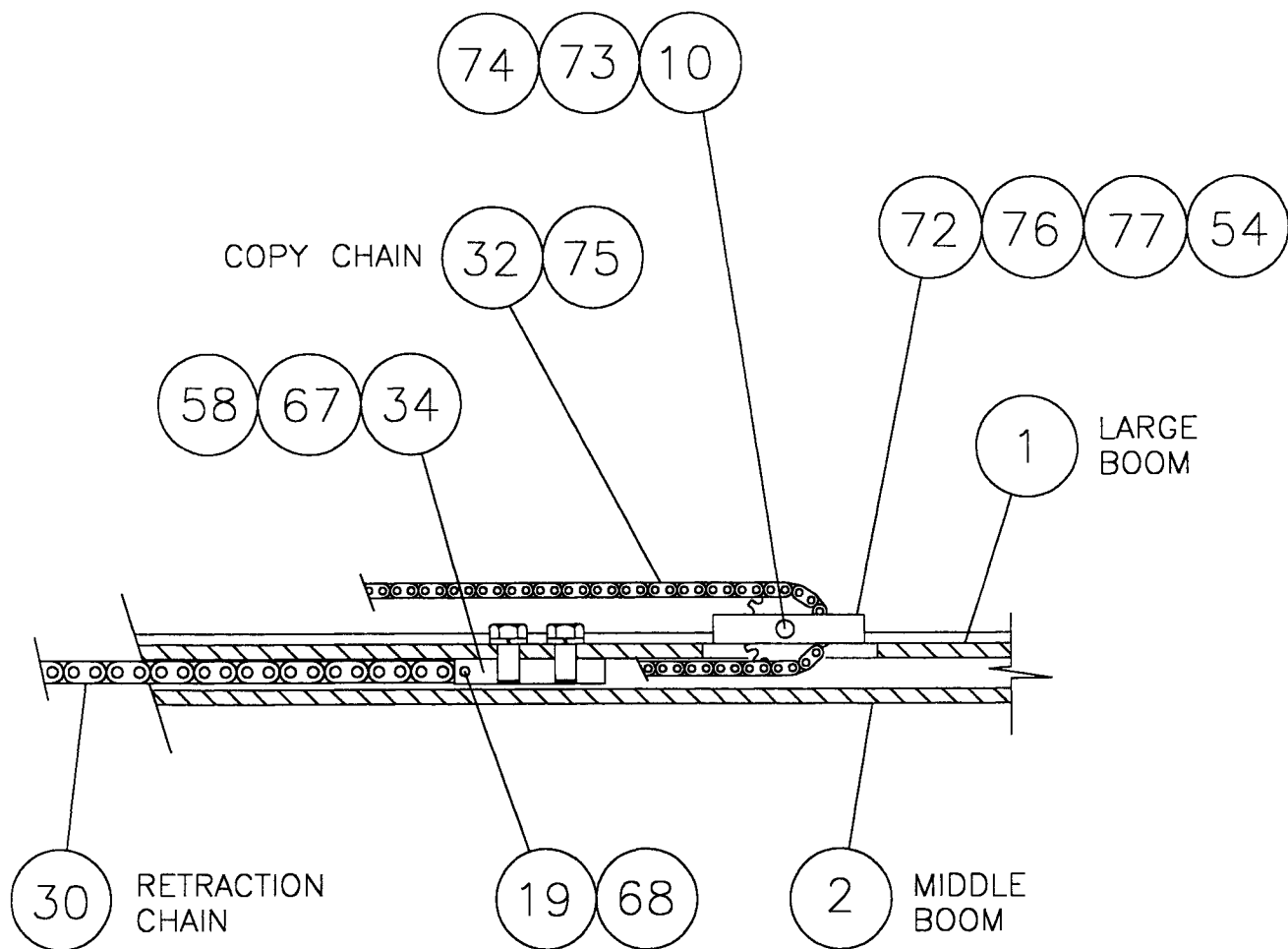
- Thank you very much for reading the preview of the manual.
- You can download the complete manual from: www.heydownloads.com by clicking the link below



- Please note: If there is no response to CLICKING the link, please download this PDF first and then click on it.

CLICK HERE TO **DOWNLOAD** THE COMPLETE MANUAL



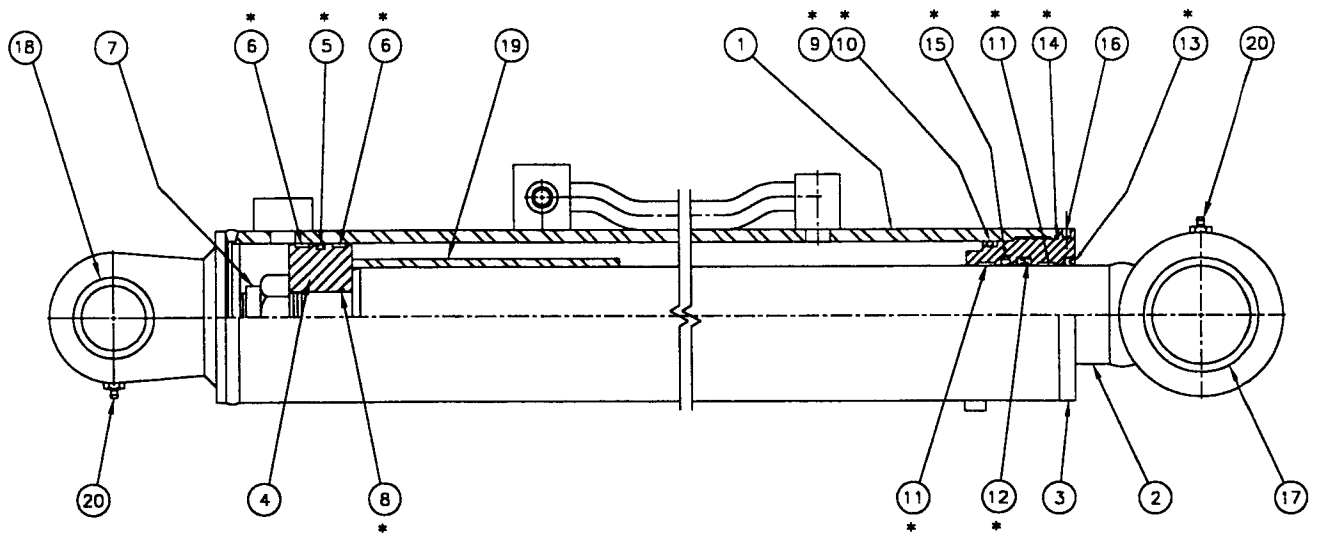


VIEW OF COPY CHAIN & IDLER SPROCKET

ITEM	NUMBER	DESCRIPTION	REQD
53	6-6201-06	HEX NUT 3/8 NC	4
54	6-6211-06	LOCKWASHER 3/8 (4)	14
55	6-6275-04	SETSCREW 3/8 NC x 3/4 LG.	5
56	6-5312-68	CAPSCREW 3/4 NF x 8 1/2 LG.	1
57	6-6202-12	HEX NUT 3/4 NF	2
58	6-6211-12	LOCKWASHER 3/4	4
59	6-5605-10	CAPSCREW SH 5/16 NC x 1 1/4 (2)	REF
60	6-6201-05	HEX NUT 5/16 NC (2)	REF
61	6-6211-05	LOCKWASHER 5/16 (2)	REF
62	6-5208-10	CAPSCREW 1/2 NC x 1 1/4 LG.	8
63	6-5206-06	CAPSCREW 3/8 NC x 3/4 LG.	6
64	6-5208-44	CAPSCREW 1/2 NC x 5 1/2 LG.	REF
65	6-5206-24	CAPSCREW 3/8 NC x 3 LG.	2
66	2-1090	PIN / BASE BOOM CYLINDER	REF
67	6-5312-12	CAPSCREW 3/4 NF x 1 1/2 LG.	2
68	6-6243-06	COTTER PIN 3/32 x 3/4 LG.	8
69	7-142-01	SELF-LOCKING NUT 1-12 THD.	1
70	7-194-01	SPRING / COMPRESSION	1
71	6-6215-16	FLATWASHER 1.0	1
72	3-1187-1	MOUNT / IDLER SPROCKET (1)	REF
73	6-5310-30	CAPSCREW 5/8 NF x 3 3/4 LG. (1)	REF
74	6-6202-10	HEX NUT 5/8 NF (1)	REF
75	7-261-05	CONNECTING LINK / WITH CLIP (1)	REF
76	6-5206-12	CAPSCREW 3/8 NC x 1 1/2 LG. (4)	REF
77	6-6212-06	FLATWASHER 3/8 (4)	6
78	6-6211-08	LOCKWASHER 1/2	10
79	7-194-43	KEY / WOODRUFF 3/16 x 1 (4)	REF
80	7-305-08	THRUST WASHER (1)	REF
81	7-305-07	BEARING / BRONZE (1)	REF
82	7-194-44	COLLAR (1)	REF
83	6-5312-48	CAPSCREW 3/4 NF x 6 LG.	1
84	6-4524-32	BRONZE BUSHING / LARGE BOOM	REF
85	6-5206-20	CAPSCREW 3/8 NC x 2 1/2 LG.	2
86	1-1306	WASHER / STEEL	1
87	6-6201-08	HEX NUT 1/2 NC	2
88	1-1101-03	SHIM / 3/16	4
89	2-1109	CLAMP / 1/2 HOSE	1
90	6-5206-18	CAPSCREW 3/8 NC x 2 1/4 LG.	2
91	3-1244-2	SPACER / MANIFOLD BLOCK	1
92	4-1074-3B	ROLLER / S-BOOM / REAR-BOT	2
93	4-1073-1	PIN / S-BOOM / REAR-BOT	1
94	6-6600-03	THRUST WASHER 3.00 x 2.00 x .188	2
95	7-193-07	NEEDLE BEARING / 2.000 ID	REF
96	6-6275-05	SETSCREW 5/8 NC x 1 LG.	1
97	6-5206-22	CAPSCREW 3/8 NC x 2 3/4 LG.	1
98	6-5206-28	CAPSCREW 3/8 NC x 3 1/2 LG.	1
99	6-6301	LUBE FITTING 1/8 NPT STR	4
100	6-6306	LUBE FITTING 1/4-28 STR (3)	8
101	6-6275-07	SETSCREW 5/8 NC x 5/8 LG.	1
102	6-6600-06	THRUST WASHER 4.00 x 2.00 x .125	2
103	6-9600-105	EDGING 1/2 x 13 1/8 LG.	1
104	3-1404	SWITCH ACTIVATOR	1

ITEM	NUMBER	DESCRIPTION	REQD
1	6-5204-14	CAPSCREW 1/4 NC x 1 3/4 LG.	4
2	6-6211-04	FLATWASHER 1/4	4
3	6-6212-04	LOCKWASHER 1/4	4
4	6-7022-34	HOSE / 04 x 04-90 x 17 LG.	1
5	6-6450-05	FITTING / 06 OR x 04 JIC STR.	9
6	6-6450-09	FITTING / 08 OR x 06 JIC STR.	1
7	6-6452-19	FITTING / 06 OR x 04 JIC 45	1
8	6-6453-04	FITTING / 06 OR x 04 JIC 90	11
9	6-6455-05	FITTING / 06 OR x 06 JIC RN-TEE	1
10	6-6455-15	FITTING / 06 OR x 04 JIC RN-TEE	1
11	6-6480-03	FITTING / 04 JIC SW-BR-TEE	1
12	6-6483-05	FITTING / 06 JIC CROSS	1
13	6-6485-06	FITTING / 06 OR x 06 JIC SWIVEL	1
14	6-7002-244	HOSE / 04 x 04 x 122 LG.	2
15	6-7002-17	HOSE / 04 x 04 x 8 1/2 LG.	1
16	6-7002-26	HOSE / 04 x 04 x 13 LG.	1
17	6-7002-276	HOSE / 04 x 04 x 138 LG.	2
18	6-7002-34	HOSE / 04 x 04 x 17 LG.	1
19	6-7022-100	HOSE / 04 x 04-90 x 50 LG.	1
20	6-7003-174	HOSE / 06 x 06 x 87 LG.	1
21	6-7003-150	HOSE / 06 x 06 x 75 LG.	1
22	6-7023-80	HOSE / 06 x 06-90 x 40 LG.	1
23	6-7022-44	HOSE / 04 x 04-90 x 22 LG.	1
24	6-7022-28	HOSE / 04 x 04-90 x 14 LG.	1
25	7-198-48	ACTUATOR / HANGING BRAKE PEDAL	REF
26	6-7002-180	HOSE / 04 x 04 x 90 LG.	1
27	7-358-03	CONTROLLER / 4-WAY	REF
28	7-367-06	CARTRIDGE / NORMALLY OPEN	REF
29	7-244-27	DIN CONNECTOR	REF
30	7-367-09	VALVE / ELECTRIC 4-WAY (2)	REF
31	7-367-05	COIL / DIN	REF
32	7-367-07	VALVE BODY / CONTROLLER RELIEF	REF
33	7-234-94	CONTROL BLOCK	REF
34	7-367-01	VALVE ASSY / CONTROLLER RELIEF	REF
35	6-6455-05	FITTING / 06 OR x 06 JIC RN-TEE	1
36	7-290-03	CARRIAGE BOLT 1/4 NC x 1 LG.	4
37	6-6211-04	LOCKWASHER 1/4	4
38	6-6201-04	HEX NUT 1/4 NC	4

ITEM	NUMBER	DESCRIPTION	REQD
1	6-6450-05	FITTING / 06 OR x 04 JIC STR.	1
2	6-6452-19	FITTING / 06 OR x 04 JIC 45	3
3	7-256-27	PRESSURE CHECK / MALE	2
4	7-302-01	PRESSURE CHECK / MALE	2
5	6-7022-30	HOSE / 04 x 04-90 x 15 LG.	1
6	6-7002-34	HOSE / 04 x 04 x 17 LG.	3
7	7-234-94	CONTROL BLOCK	REF
8	7-234-50	VALVE / TILT LIMITER	REF
9	6-6457-05	FITTING / 06 OR PLUG	2



ITEM	NUMBER	DESCRIPTION	REQD
1	7-316-290	BARREL ASSEMBLY	1
2	7-316-257	ROD ASSEMBLY	1
3	7-316-291	HEAD	1
4	7-316-258	PISTON	1
5	7-316-54	SEAL / PISTON	(*) 1
6	7-316-234	WEAR RING / PISTON	(*) 2
7	7-316-73	SELF-LOCKING NUT	1
8	7-316-80	O-RING / STUB SHAFT	(*) 1
9	7-316-81	O-RING / HEAD	(*) 1
10	7-316-82	BACK-UP RING / HEAD	(*) 1
11	7-316-383	WEAR RING / HEAD	(*) 2
12	7-316-30	SEAL / SHAFT	(*) 1
13	7-316-36	WIPER / SHAFT	(*) 1
14	7-316-245	O-RING	(*) 1
15	7-316-382	BUFFER SEAL	(*) 1
16	7-316-247	SELF TAPPING SCREW	1
17	7-316-155	BRONZE BUSHING / Ref 6-4524-32	1
18	7-316-156	BRONZE BUSHING / Ref 6-4516-24	1
19	7-316-260	STROKE LIMITER	1
20	7-316-150	LUBE FITTING	2
21			
22	7-900-21	SEAL KIT / ITEMS MARKED	(*) REF

DRAWING NUMBER P4-2043

LIFT CYLINDER / 7-316-240 / TH842C
4.50 BORE x 3.00 SHAFT DIA.

PAGE NUMBER 38

CLICK HERE TO **DOWNLOAD** THE COMPLETE MANUAL

- Thank you very much for reading the preview of the manual.
- You can download the complete manual from: www.heydownloads.com by clicking the link below

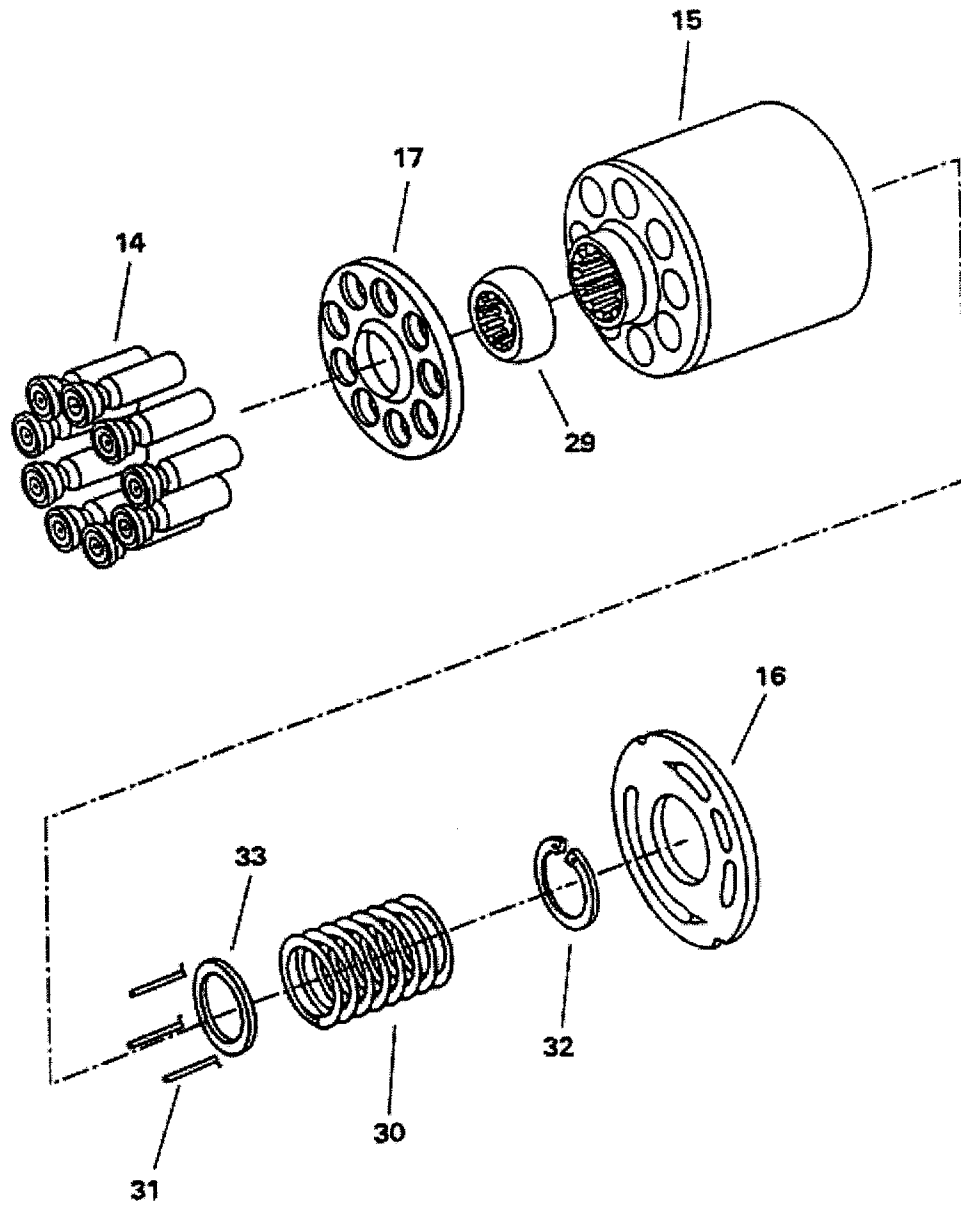


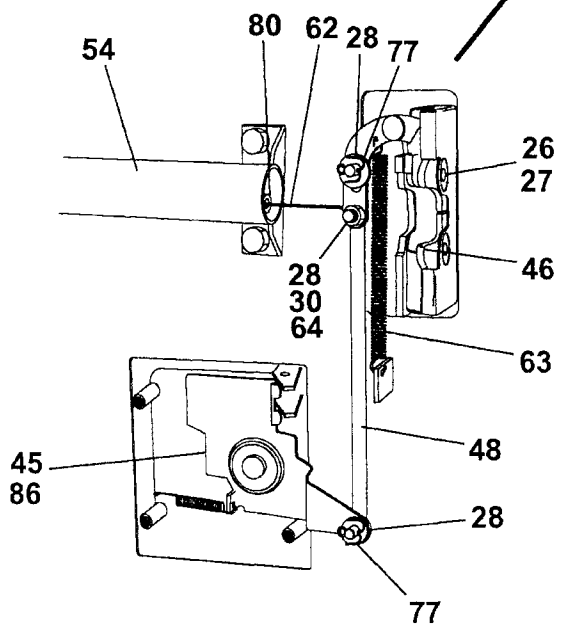
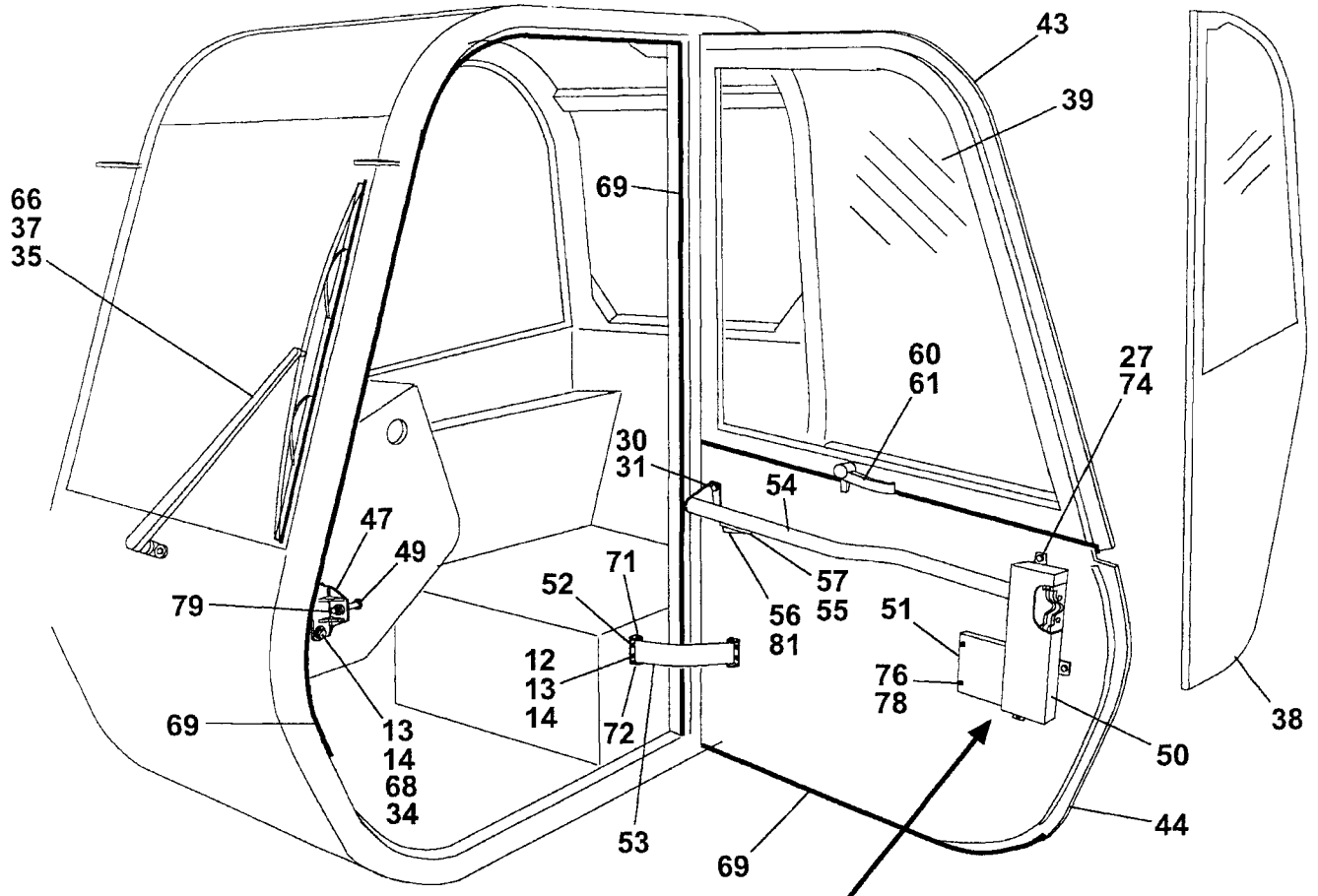
- Please note: If there is no response to CLICKING the link, please download this PDF first and then click on it.

CLICK HERE TO **DOWNLOAD** THE COMPLETE MANUAL

ITEM	NUMBER	DESCRIPTION	REQD
1	7-147-08	HOUSING	1
2	7-147-09	O-RING*	1
3	7-147-10	FRONT COVER	1
4	7-147-11	DUST SEAL*	1
5	7-147-12	SPRING, FLAT	2
6	7-147-13	SPRING	4
7	7-147-14	CONTROL SPOOL	1
8	7-147-15	X-RING*	1
9	7-147-16	RETAINING RING	1
10	7-147-17	BEARING RACE 1	1
11	7-147-18	THRUST BEARING	1
12	7-147-19	BEARING RACE 2	1
13	7-147-20	SEAL PLUG	4
14	7-147-21	O-RING*	1
15	7-147-22	O-RING*	2
16	7-147-23	DISTRIBUTOR PLATE	1
17	7-147-24	SCREW	7
18	7-147-25	WASHER	7
19	7-147-26	SPACER	1
20	7-147-27	END COVER	1
21	7-147-28	GEAR WHEEL SET	1
22	7-147-29	DRIVE	1
23	7-147-30	CONTROL SLEEVE	1
24	7-147-31	PIN	1
25	7-147-32	RING	1
26	7-147-33	PLUG	1
27	7-147-34	O-RING*	1
28	7-147-35	VALVE SEAT	1
29	7-147-36	O-RING*	1
30	7-147-37	BALL	1
31	7-147-38	CROSS SUPPORT	1
32	7-147-07	SEAL KIT (INCL. ITEMS 2,4,8,14,15,27, & 29)	REF

ITEM 2
ROTARY GROUP CW
PARTS BREAKDOWN

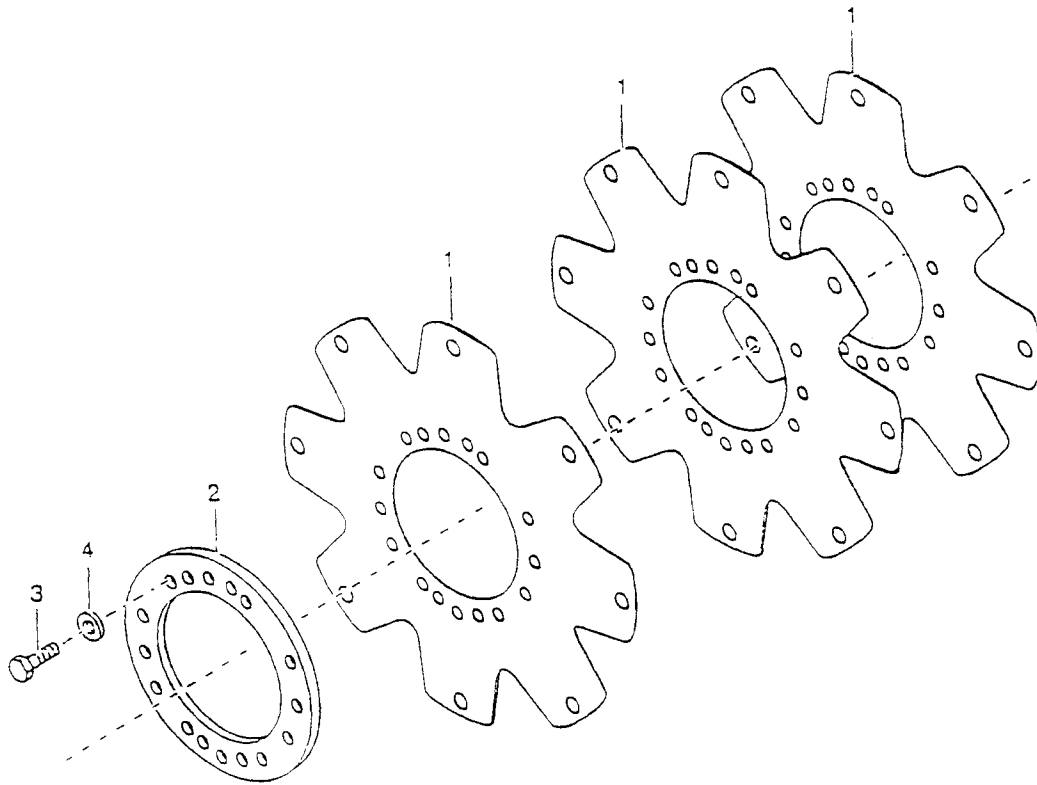




ITEM	NUMBER	DESCRIPTION	REQD
1	7-121-01	RUBBER BUSHING	2
2	6-6423-08	FITTING / 04 x 06 BR. HOSE END	1
3	6-6252-20	HOSE CLAMP / NO. 2	4
4	6-9621-680	HOSE-FUEL 5/16 x 85 LG.	1
5	6-9605-544	HOSE-FUEL 3/8 x 68 LG.	1
6	7-121-02	FITTING / 90 / 3/8 HOSE	1
7	7-272-09	FILLER CAP / FUEL	REF
8	7-373-01	FUEL TANK	REF
9	6-6422-03	FITTING / 04 NPT 90 BR. ST. ELB.	1
10	7-121-03	FITTING / 90 / 5/16 HOSE	1

ITEM	NUMBER	DESCRIPTION	REQD
1	7-126-411	STATOR SUPPORT ASSY (INCL. ITEMS 2-3)	1
2	7-126-412	BUSHING	1
3	7-126-413	BEARING	1
4	7-126-414	STATOR SUPPORT PISTON RING	1
5	7-126-415	EXPANDER	1
6	7-126-416	SNAP RING	2
7	7-126-360	SEAL	1
8	7-126-518	TORQUE CONVERTER ASSEMBLY	1
9	7-126-234	TORQUE CONVERTER PLUG	1
10	7-126-233	O-RING	1
11	7-126-277	SNAP RING	1
12	7-126-417	IMPELLER HUB GEAR	1
13	7-126-418	SNAP RING	2
14	7-126-419	WASHER	1
15	7-126-420	BEARING	1
16	7-126-421	OIL DISTRIBUTOR RING	1

ITEM	NUMBER	DESCRIPTION	REQD
1	7-126-465	TURBINE SHAFT DRUM & PLUG ASSY	1
2	7-126-466	OIL DISTRIBUTOR SLEEVE	1
3	7-126-467	RETAINER SCREW	1
4	7-126-468	PISTON RING	3
5	7-126-469	PISTON & SEALS ASSY (INCL. ITEMS 6-7)	2
6	7-126-470	OUTER CLUTCH PISTON SEAL	2
7	7-126-471	INNER CLUTCH PISTON SEAL	2
8	7-126-472	END PLATE	2
9	7-126-473	SNAP RING	2
10	7-126-474	CLUTCH PISTON WEAR PLATE	2
11	7-126-475	DISC SPRING ASSEMBLY	2
12	7-126-476	SNAP RING RETAINER	2
13	7-126-477	SNAP RING	2
14	7-126-478	OUTER DISC (6 FORWARD / 6 REVERSE)	12
15	7-126-479	INNER DISC (6 FORWARD / 6 REVERSE)	12
16	7-126-480	CLUTCH GEAR THRUST BEARING	4
17	7-126-481	WASHER	8
18	7-126-482	REAR TURBINE SHAFT BEARING	1
19		CL. GEAR BRNG (SEE GEAR GROUP)	4
20		CL. GEAR BRNG SPACER (SEE GEAR GROUP)	2
21		REV CLUTCH GEAR (SEE GEAR GROUP)	1
22		FWD CLUTCH GEAR (SEE GEAR GROUP)	1

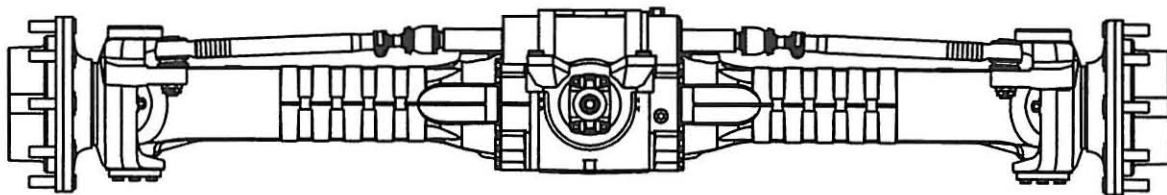


ITEM	NUMBER	DESCRIPTION	REQD
1	N.S.S.	DRIVE PLATE	3
2	7-126-60	DRIVE PLATE BACKING RING	1
3	7-126-516	SCREW	6
4	7-126-54	LOCKWASHER	6
5	7-126-692	DRIVE PLATE KIT (INCLUDES ITEMS 1-4)	1

N.S.S. = NOT SOLD SEPARATELY

ITEM	NUMBER	DESCRIPTION	REQD
1	7-229-623	NUT	2
2	7-229-624	STEERING ADJUST BOLT	2
3	7-229-677	AXLE CASE	2
4	7-229-560	BOLT	32
5	7-229-561	WASHER	32
6	7-229-562	REDUCTION BUSHING	2
7	7-229-563	SEAL	2
8	7-229-564	BALL BEARING	2
9	7-229-565	CIRCLIP	2
10	7-229-566	O-RING	2
11	7-229-567	UNIVERSAL JOINT	2
12	7-229-568	THRUST BUSHING	2
13	7-229-569	OUTER RACE	2
14	7-229-539	BOLT	20
15	7-229-570	COVER	2
16	7-229-571	PLUG	4
17	7-229-572	GREASE FITTING	2
18	7-229-573	PIVOT PIN	2
19	7-229-574	PIVOT PIN	2
20	7-229-575	SEAL	2
21	7-229-576	ARTICULATION	2
22	7-229-678	STEERING CASE / LH	1
23	7-229-578	SEAL	2
24	7-229-579	DUST EXCLUDER	2
25	7-229-580	MAGNET PLUG	2
26	7-229-526	PLUG	3
27	7-229-679	STEERING CASE / RH	1
28	7-229-582	SEAL	2
29	7-229-583	BEARING	20
30	7-229-692	WHEEL STUD	20
31	7-229-680	WHEEL HUB	2
32	7-229-586	O-RING	2
33	7-229-587	RING GEAR	2
34	7-229-588	RING GEAR SUPPORT	2
35	7-229-589	CIRCLIP	8
36	7-229-590	PLANET GEAR	8
37	7-229-591	BEARING	8
38	7-229-592	WHEEL NUT	20
39	7-229-525	SEAL WASHER	5
40	7-229-681	COUNTERSUNK BOLT	4
41	7-229-682	PLANET GEAR CARRIER	2
42	7-229-595	STUD	16
43	7-229-596	NUT	16
44	7-229-597	CIRCLIP	2
45	7-229-598	ADJUSTING BOLT	2
46	7-229-599	NUT	2
47			
48			
49	7-229-600	LOCKING PLATE	2
50	7-229-601	CIRCLIP	2

REAR AXLE
PARTS BOOK
TH636C TH644C TH842C TH844C



DATE: 9-7-99
SPICER CLARK-HURTH 212/184 AXLE
7-229-619 STEERING CYLINDER

TEREX HANDLERS
455 N. Superior Ave., Baraga, MI 49908-0248
PH: (906) 353-6675; FAX: (906) 353-7543
INTERNET: <http://www.sqshooter.com>

CLICK HERE TO **DOWNLOAD** THE COMPLETE MANUAL

- Thank you very much for reading the preview of the manual.
- You can download the complete manual from: www.heydownloads.com by clicking the link below



- Please note: If there is no response to CLICKING the link, please download this PDF first and then click on it.

CLICK HERE TO **DOWNLOAD** THE COMPLETE MANUAL