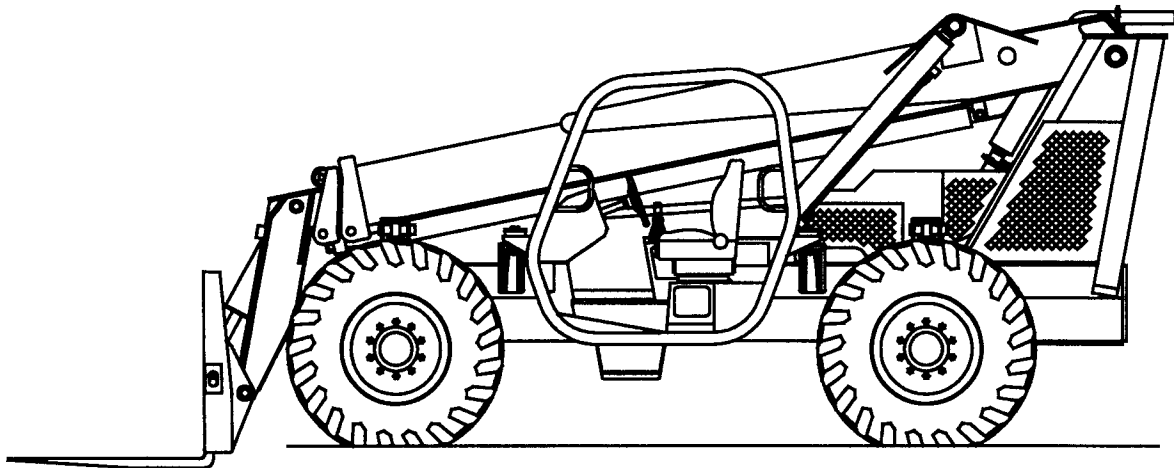


PARTS BOOK

TH644C



DATE: 4-19-02

JOHN DEERE POWERTECH 4045T TURBO ENGINE
OR OPTIONAL
CUMMINS 4B3.9-C-100 TURBO ENGINE
DANA 212 AXLES
CLARK T12000 TRANSMISSION
REMOTE MOUNTED SAF-T-CAB
REXROTH HYDRAULIC PUMP
DAVID BROWN MAIN VALVE
DAVID BROWN 4-WAY CONTROLLER

Serial Number: _____

TEREX HANDLERS

455 N. Superior Ave., Baraga, MI 49908-0248

PH: (906) 353-6675; FAX: (906) 353-7543

INTERNET: <http://www.terexlift.com>

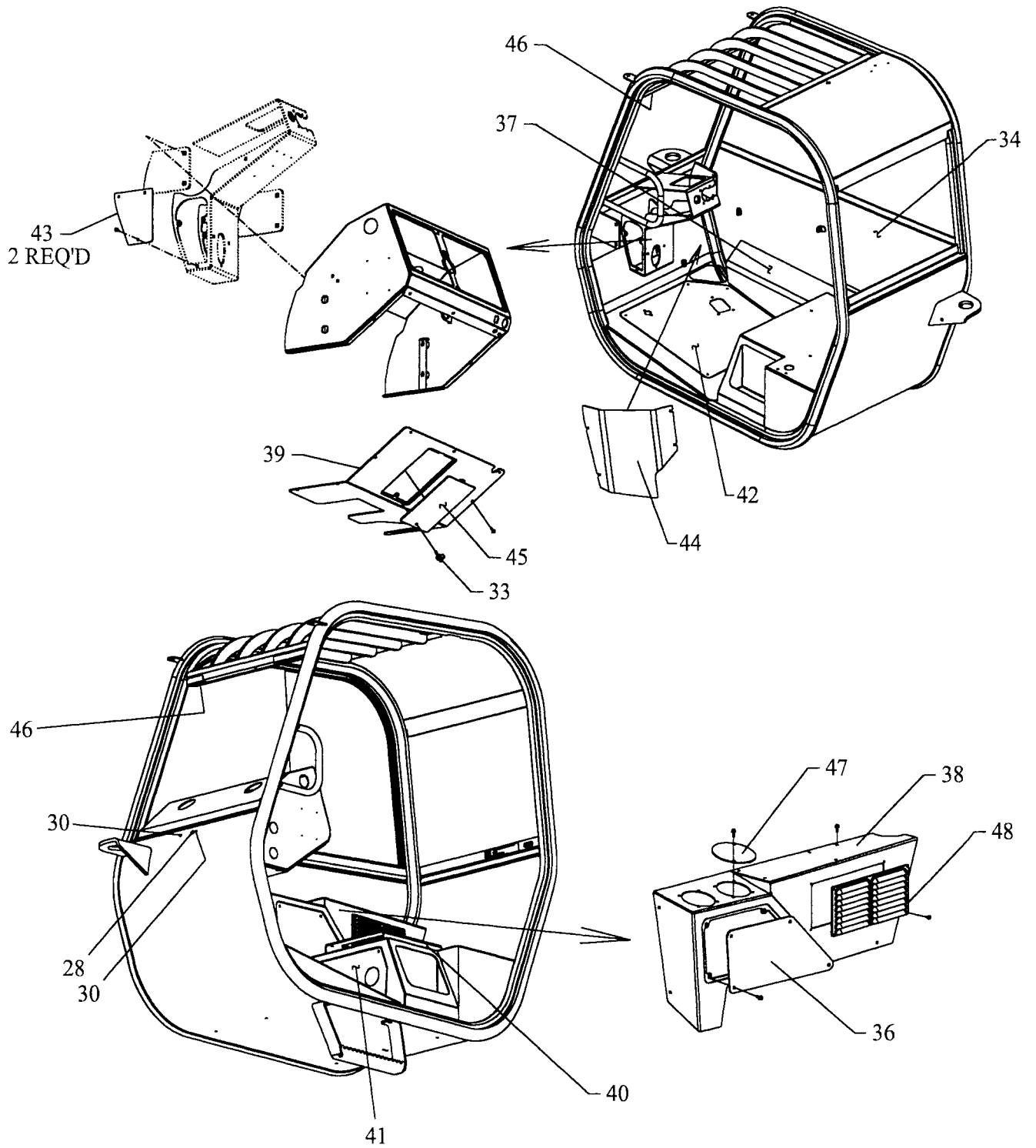
CLICK HERE TO **DOWNLOAD** THE COMPLETE MANUAL

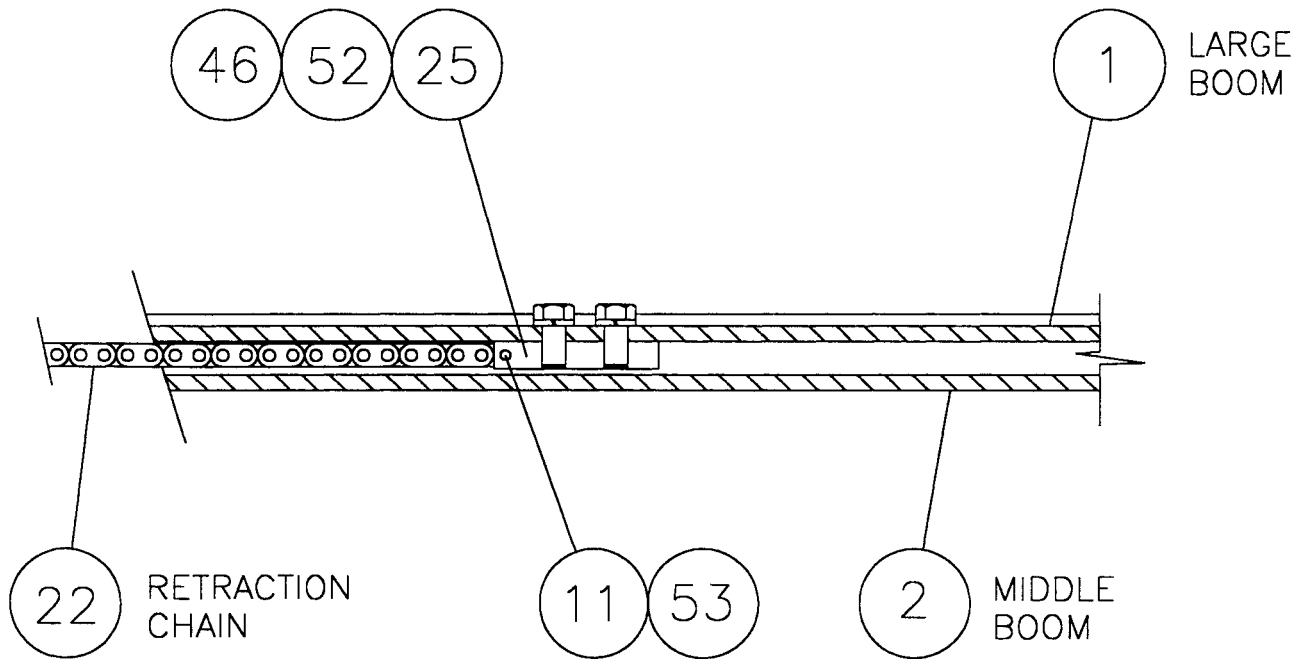
- Thank you very much for reading the preview of the manual.
- You can download the complete manual from: www.heydownloads.com by clicking the link below



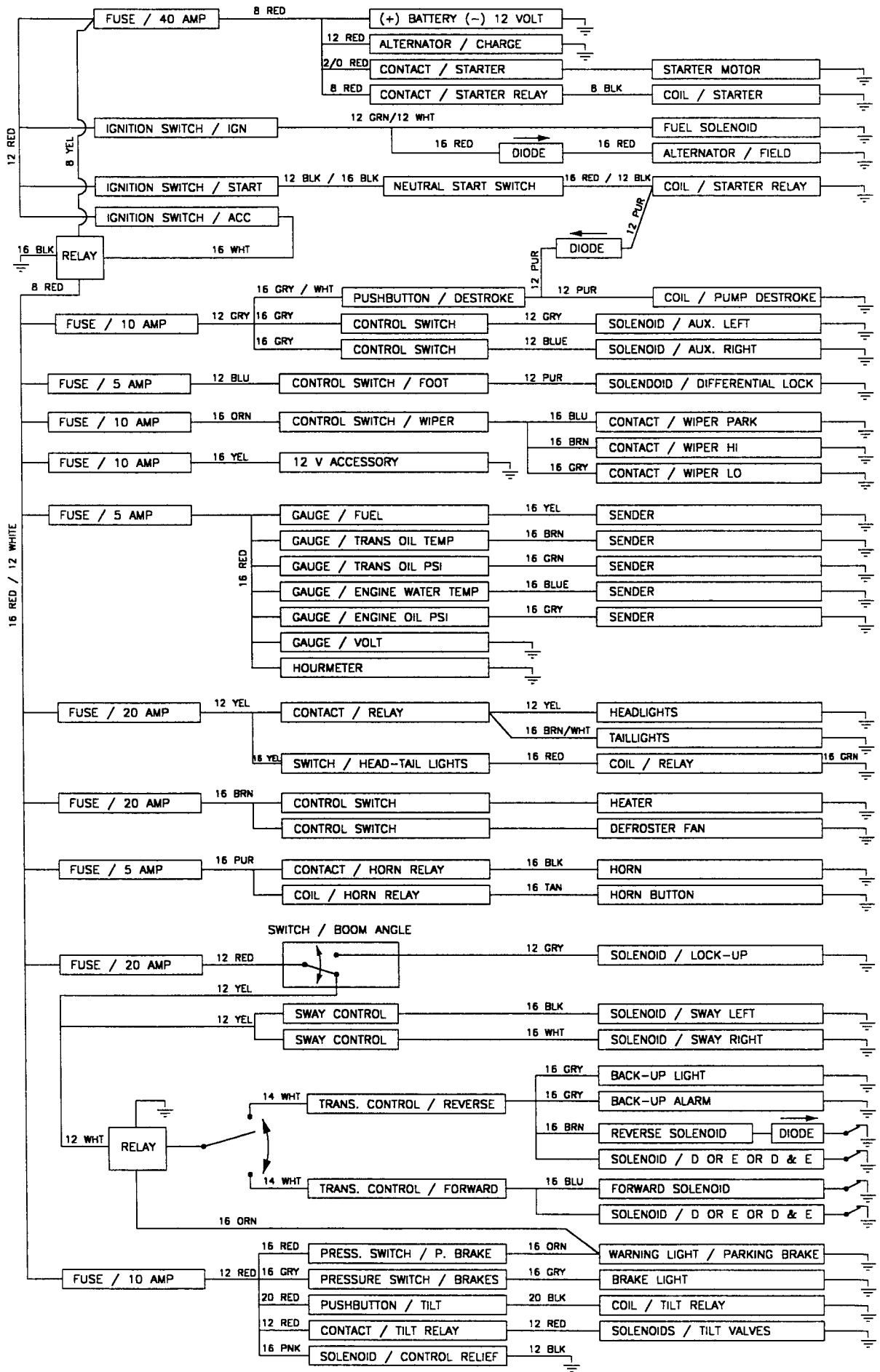
- Please note: If there is no response to CLICKING the link, please download this PDF first and then click on it.

CLICK HERE TO **DOWNLOAD** THE COMPLETE MANUAL



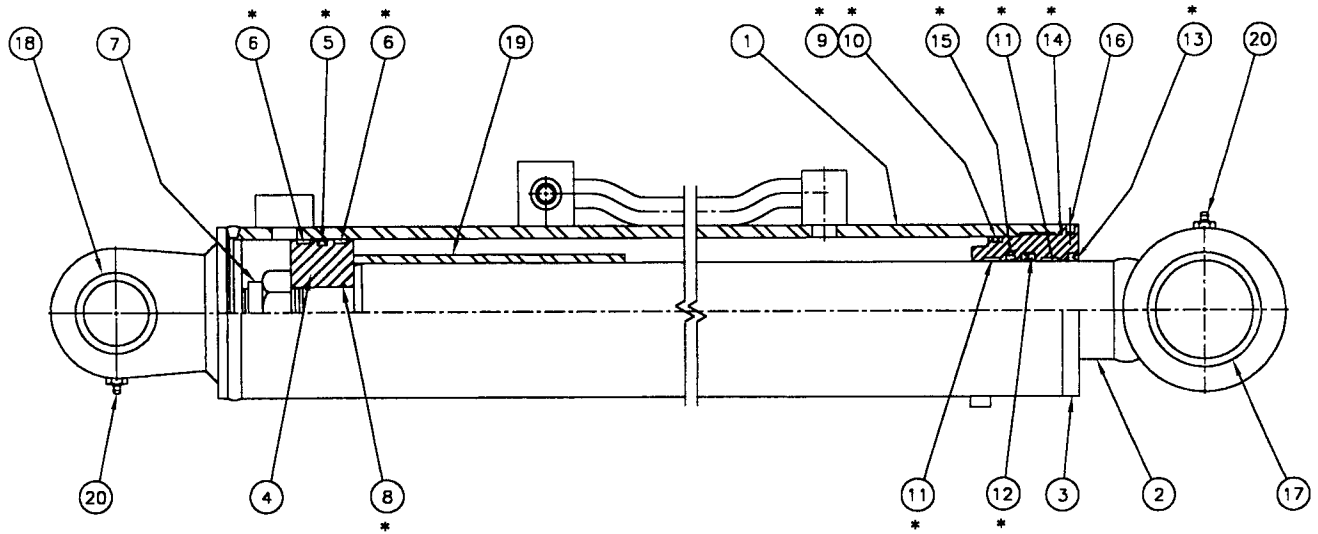


VIEW OF RETRACTION CHAIN
MOUNTED TO LARGE BOOM



ITEM	NUMBER	DESCRIPTION	REQD
1	6-5204-14	CAPSCREW 1/4 NC x 1 3/4 LG.	4
2	6-6211-04	FLATWASHER 1/4	4
3	6-6212-04	LOCKWASHER 1/4	4
4	6-7022-34	HOSE / 04 x 04-90 x 17 LG.	1
5	6-6450-05	FITTING / 06 OR x 04 JIC STR.	9
6	6-6450-09	FITTING / 08 OR x 06 JIC STR.	1
7	6-6452-19	FITTING / 06 OR x 04 JIC 45	1
8	6-6453-04	FITTING / 06 OR x 04 JIC 90	11
9	6-6455-05	FITTING / 06 OR x 06 JIC RN-TEE	1
10	6-6455-15	FITTING / 06 OR x 04 JIC RN-TEE	1
11	6-6480-03	FITTING / 04 JIC SW-BR-TEE	1
12	6-6483-05	FITTING / 06 JIC CROSS	1
13	6-6485-06	FITTING / 06 OR x 06 JIC SWIVEL	1
14	6-7002-244	HOSE / 04 x 04 x 122 LG.	2
15	6-7002-17	HOSE / 04 x 04 x 8 1/2 LG.	1
16	6-7002-26	HOSE / 04 x 04 x 13 LG.	1
17	6-7002-276	HOSE / 04 x 04 x 138 LG.	2
18	6-7002-34	HOSE / 04 x 04 x 17 LG.	1
19	6-7022-100	HOSE / 04 x 04-90 x 50 LG.	1
20	6-7003-174	HOSE / 06 x 06 x 87 LG.	1
21	6-7003-150	HOSE / 06 x 06 x 75 LG.	1
22	6-7023-80	HOSE / 06 x 06-90 x 40 LG.	1
23	6-7022-44	HOSE / 04 x 04-90 x 22 LG.	1
24	6-7022-28	HOSE / 04 x 04-90 x 14 LG.	1
25	7-198-48	ACTUATOR / HANGING BRAKE PEDAL	REF
26	6-7002-180	HOSE / 04 x 04 x 90 LG.	1
27	7-358-03	CONTROLLER / 4-WAY	REF
28	7-367-06	CARTRIDGE / NORMALLY OPEN	REF
29	7-244-27	DIN CONNECTOR	REF
30	7-367-09	VALVE / ELECTRIC 4-WAY (2)	REF
31	7-367-05	COIL / DIN	REF
32	7-367-07	VALVE BODY / CONTROLLER RELIEF	REF
33	7-234-94	CONTROL BLOCK	REF
34	7-367-01	VALVE ASSY / CONTROLLER RELIEF	REF
35	6-6455-05	FITTING / 06 OR x 06 JIC RN-TEE	1
36	7-290-03	CARRIAGE BOLT 1/4 NC x 1 LG.	4
37	6-6211-04	LOCKWASHER 1/4	4
38	6-6201-04	HEX NUT 1/4 NC	4

ITEM	NUMBER	DESCRIPTION	REQD
1	6-6450-05	FITTING / 06 OR x 04 JIC STR.	1
2	6-6452-19	FITTING / 06 OR x 04 JIC 45	3
3	7-256-27	PRESSURE CHECK / MALE	2
4	7-302-01	PRESSURE CHECK / MALE	2
5	6-7022-30	HOSE / 04 x 04-90 x 15 LG.	1
6	6-7002-34	HOSE / 04 x 04 x 17 LG.	3
7	7-234-94	CONTROL BLOCK	REF
8	7-234-50	VALVE / TILT LIMITER	REF
9	6-6457-05	FITTING / 06 OR PLUG	2



ITEM	NUMBER	DESCRIPTION	REQD
1	7-316-290	BARREL ASSEMBLY	1
2	7-316-257	ROD ASSEMBLY	1
3	7-316-291	HEAD	1
4	7-316-258	PISTON	1
5	7-316-54	SEAL / PISTON	(*) 1
6	7-316-234	WEAR RING / PISTON	(*) 2
7	7-316-73	SELF-LOCKING NUT	1
8	7-316-80	O-RING / STUB SHAFT	(*) 1
9	7-316-81	O-RING / HEAD	(*) 1
10	7-316-82	BACK-UP RING / HEAD	(*) 1
11	7-316-383	WEAR RING / HEAD	(*) 2
12	7-316-30	SEAL / SHAFT	(*) 1
13	7-316-36	WIPER / SHAFT	(*) 1
14	7-316-245	O-RING	(*) 1
15	7-316-382	BUFFER SEAL	(*) 1
16	7-316-247	SELF TAPPING SCREW	1
17	7-316-155	BRONZE BUSHING / Ref 6-4524-32	1
18	7-316-156	BRONZE BUSHING / Ref 6-4516-24	1
19	7-316-260	STROKE LIMITER	1
20	7-316-150	LUBE FITTING	2
21			
22	7-900-21	SEAL KIT / ITEMS MARKED	(*) REF

ITEM	NUMBER	DESCRIPTION	REQD
1	7-147-08	HOUSING	1
2	7-147-09	O-RING*	1
3	7-147-10	FRONT COVER	1
4	7-147-11	DUST SEAL*	1
5	7-147-12	SPRING, FLAT	2
6	7-147-13	SPRING	4
7	7-147-14	CONTROL SPOOL	1
8	7-147-15	X-RING*	1
9	7-147-16	RETAINING RING	1
10	7-147-17	BEARING RACE 1	1
11	7-147-18	THRUST BEARING	1
12	7-147-19	BEARING RACE 2	1
13	7-147-20	SEAL PLUG	4
14	7-147-21	O-RING*	1
15	7-147-22	O-RING*	2
16	7-147-23	DISTRIBUTOR PLATE	1
17	7-147-24	SCREW	7
18	7-147-25	WASHER	7
19	7-147-26	SPACER	1
20	7-147-27	END COVER	1
21	7-147-28	GEAR WHEEL SET	1
22	7-147-29	DRIVE	1
23	7-147-30	CONTROL SLEEVE	1
24	7-147-31	PIN	1
25	7-147-32	RING	1
26	7-147-33	PLUG	1
27	7-147-34	O-RING*	1
28	7-147-35	VALVE SEAT	1
29	7-147-36	O-RING*	1
30	7-147-37	BALL	1
31	7-147-38	CROSS SUPPORT	1
32	7-147-07	SEAL KIT (INCL. ITEMS 2,4,8,14,15,27, & 29)	REF

CLICK HERE TO **DOWNLOAD** THE COMPLETE MANUAL

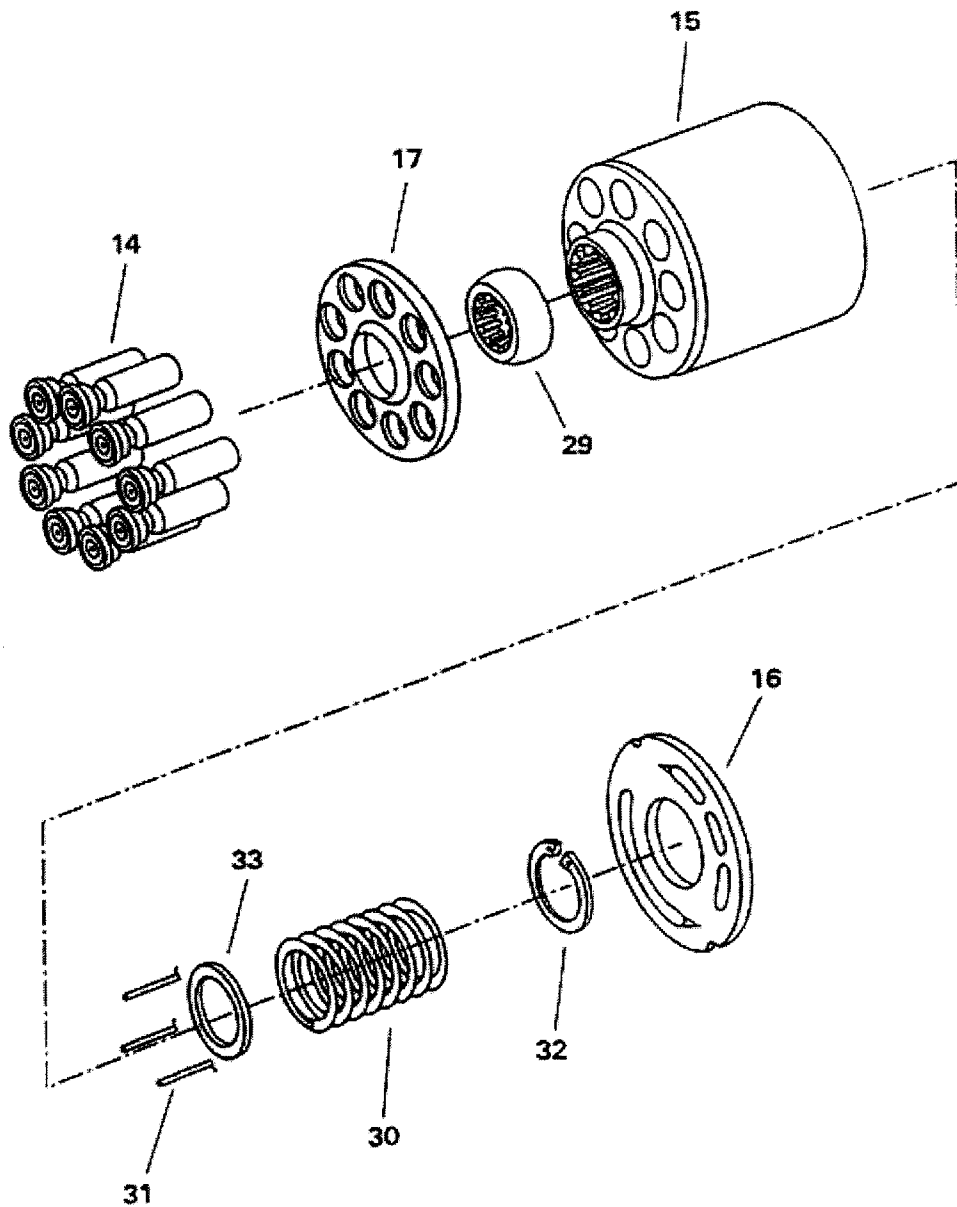
- Thank you very much for reading the preview of the manual.
- You can download the complete manual from: www.heydownloads.com by clicking the link below



- Please note: If there is no response to CLICKING the link, please download this PDF first and then click on it.

CLICK HERE TO **DOWNLOAD** THE COMPLETE MANUAL

ITEM 2
ROTARY GROUP CW
PARTS BREAKDOWN



DRAWING
NUMBER

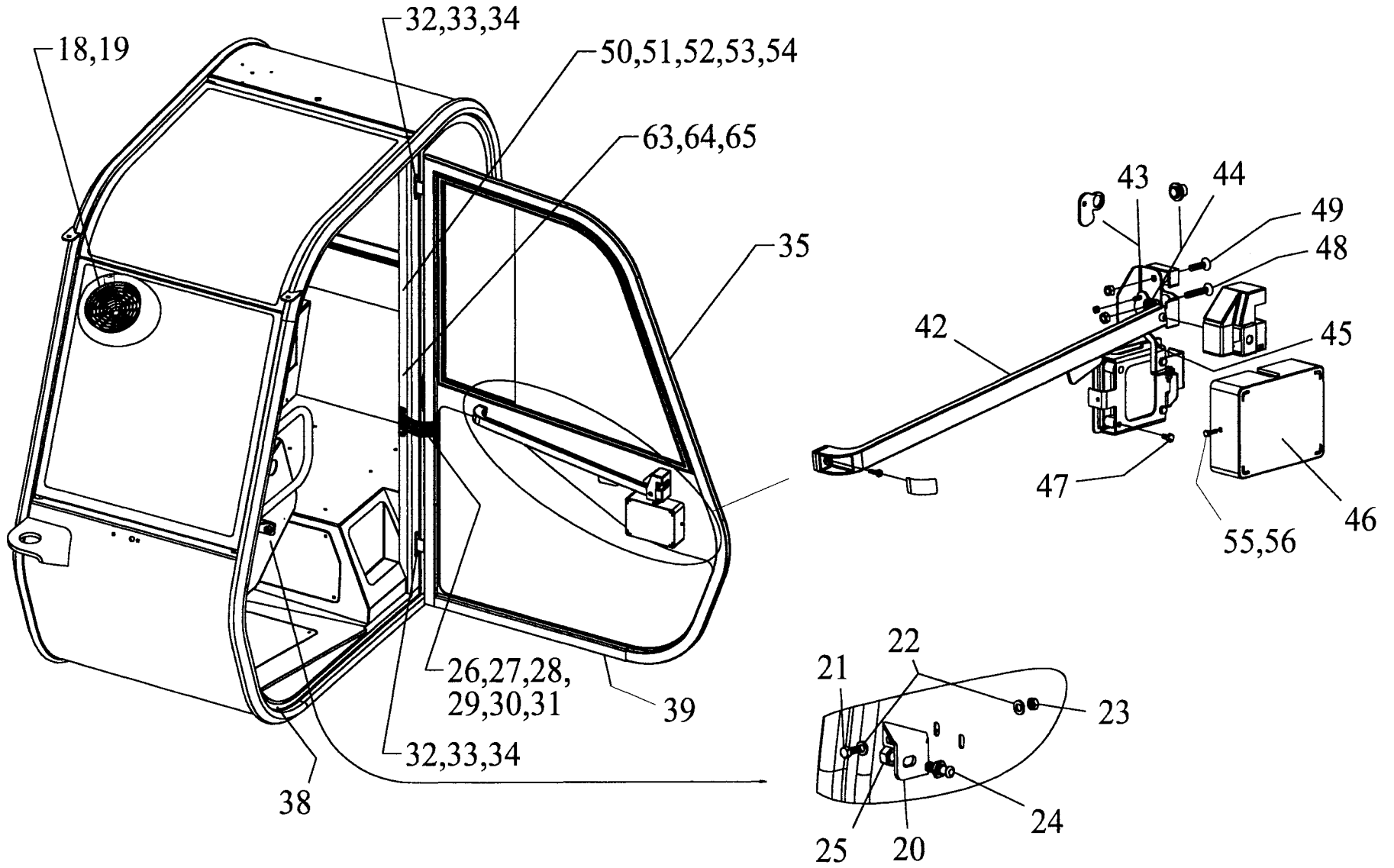
P1-1641

FULLY ENCLOSED CAB ASSEMBLY

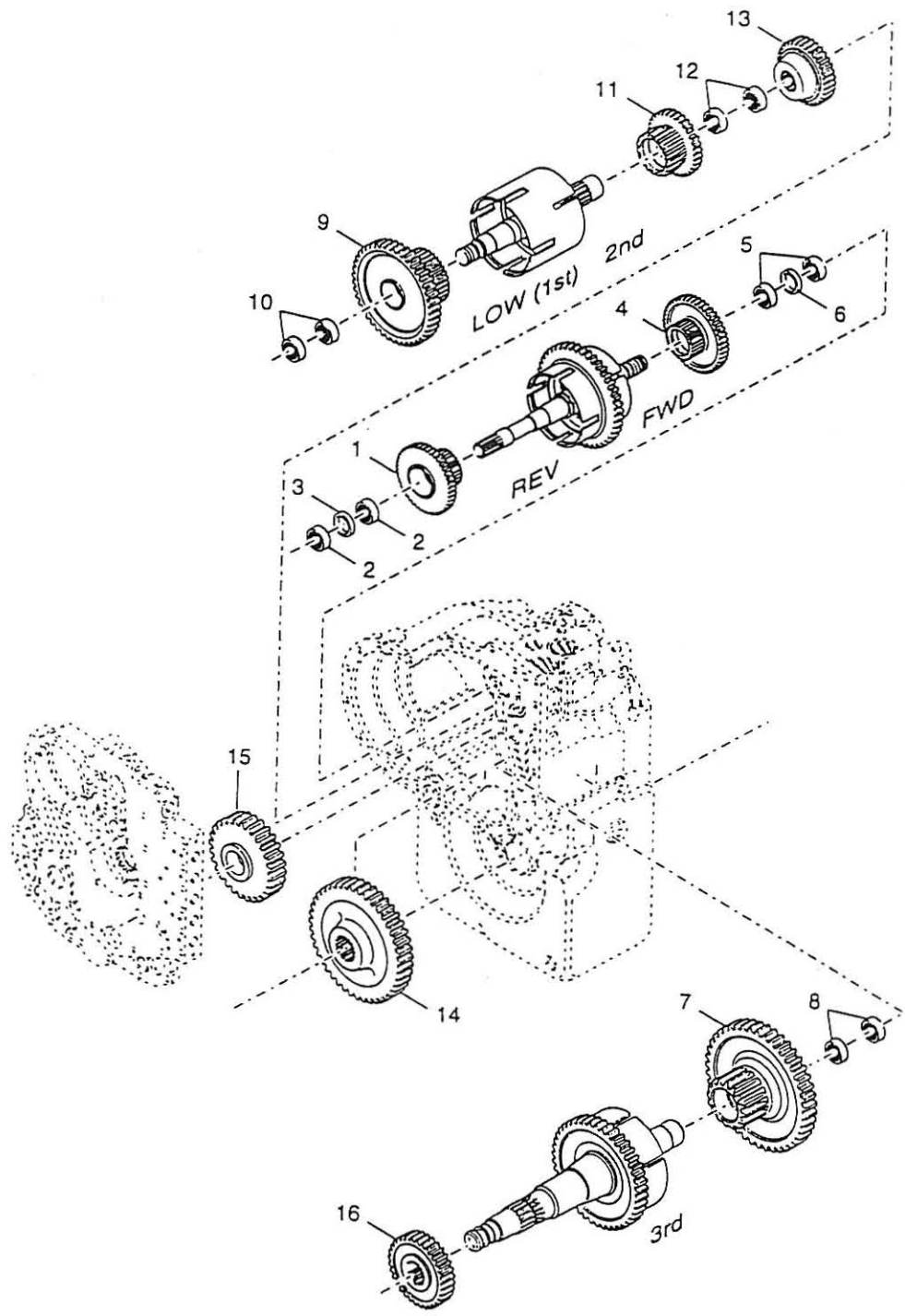
TH644C

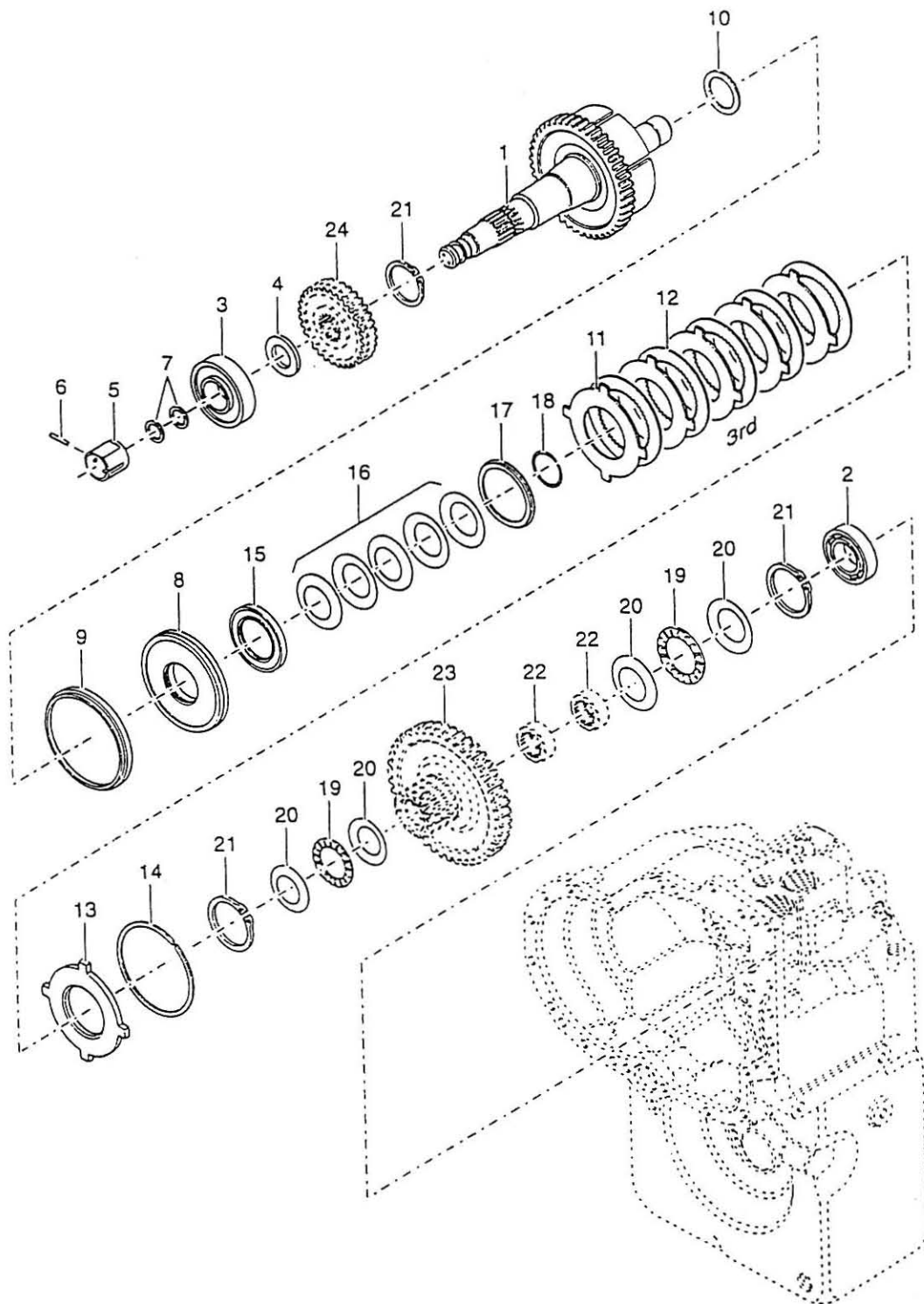
PAGE
NUMBER

59A

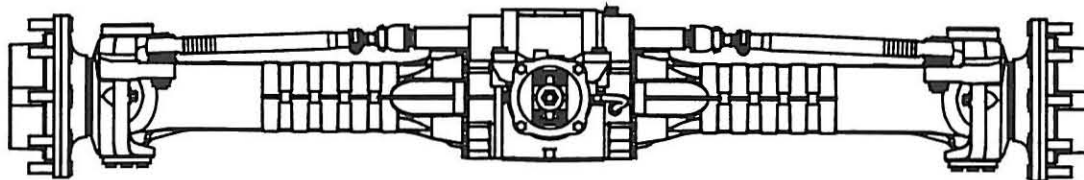


ITEM	NUMBER	DESCRIPTION	REQD
1	7-121-01	RUBBER BUSHING	2
2	6-6423-08	FITTING / 04 x 06 BR. HOSE END	1
3	6-6252-20	HOSE CLAMP / NO. 2	4
4	6-9621-680	HOSE-FUEL 5/16 x 85 LG.	1
5	6-9605-544	HOSE-FUEL 3/8 x 68 LG.	1
6	7-121-02	FITTING / 90 / 3/8 HOSE	1
7	7-272-09	FILLER CAP / FUEL	REF
8	7-373-01	FUEL TANK	REF
9	6-6422-03	FITTING / 04 NPT 90 BR. ST. ELB.	1
10	7-121-03	FITTING / 90 / 5/16 HOSE	1



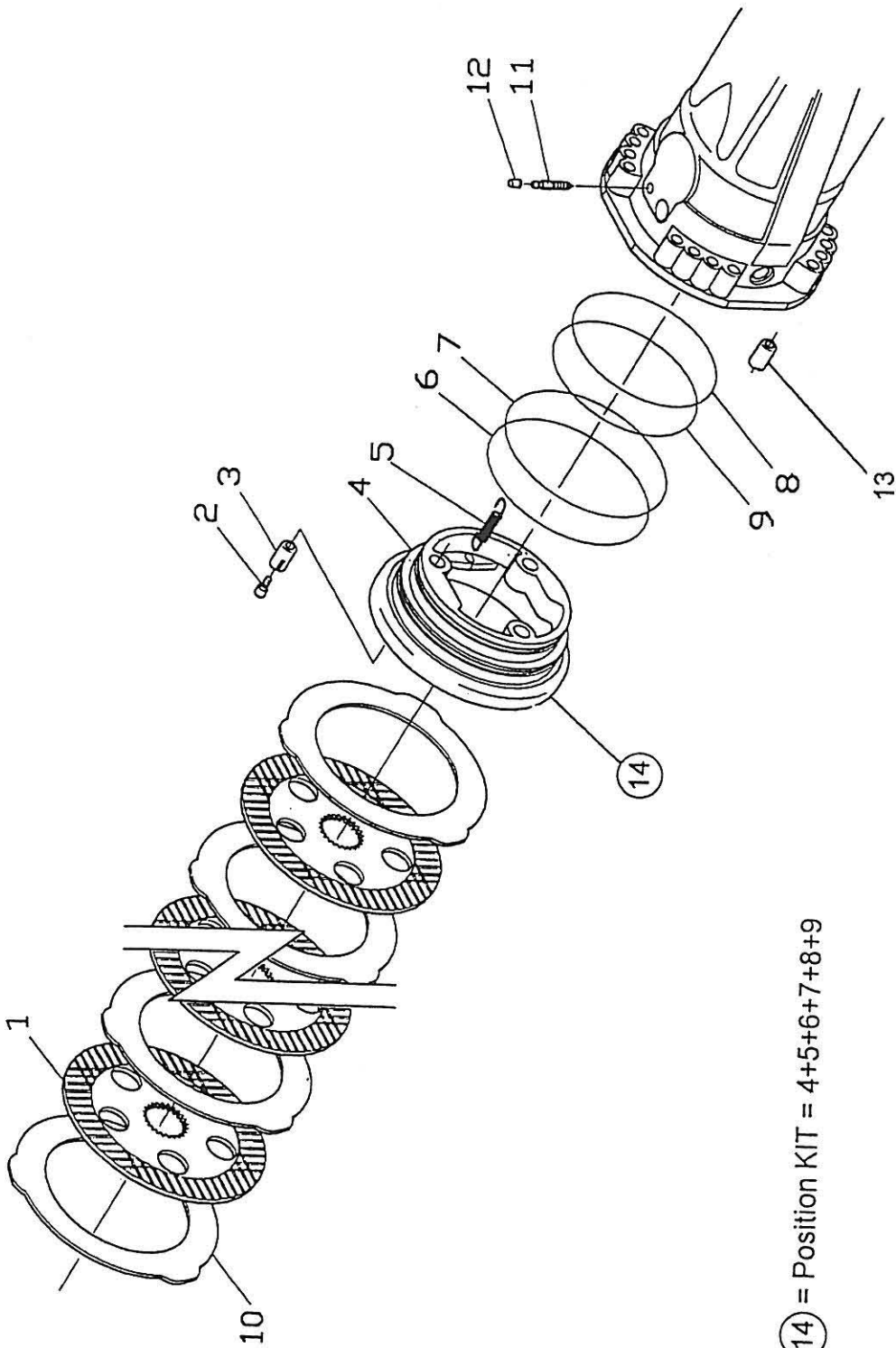


FRONT AXLE
PARTS BOOK
TH636C TH644C

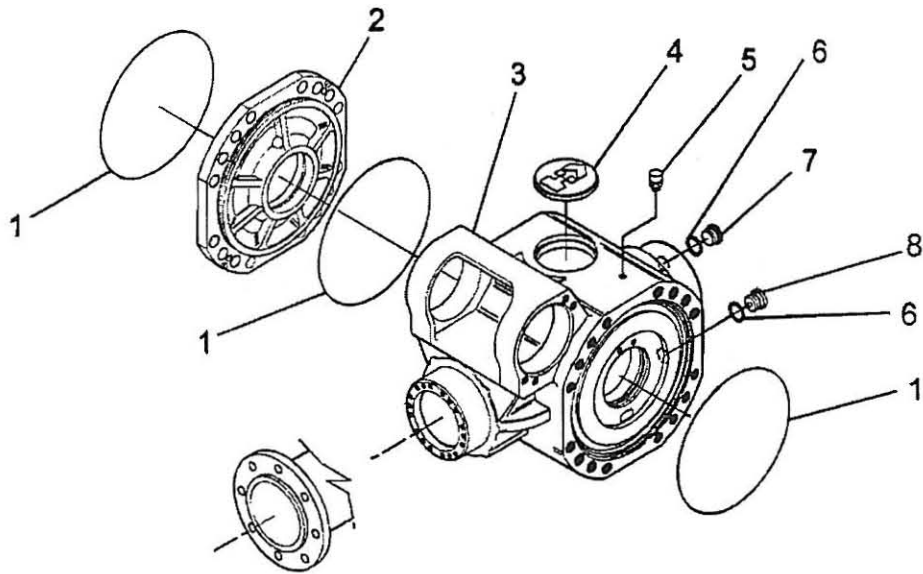


DATE: 3-13-00
SPICER CLARK-HURTH 212/230 AXLE
7-229-619 STEERING CYLINDER

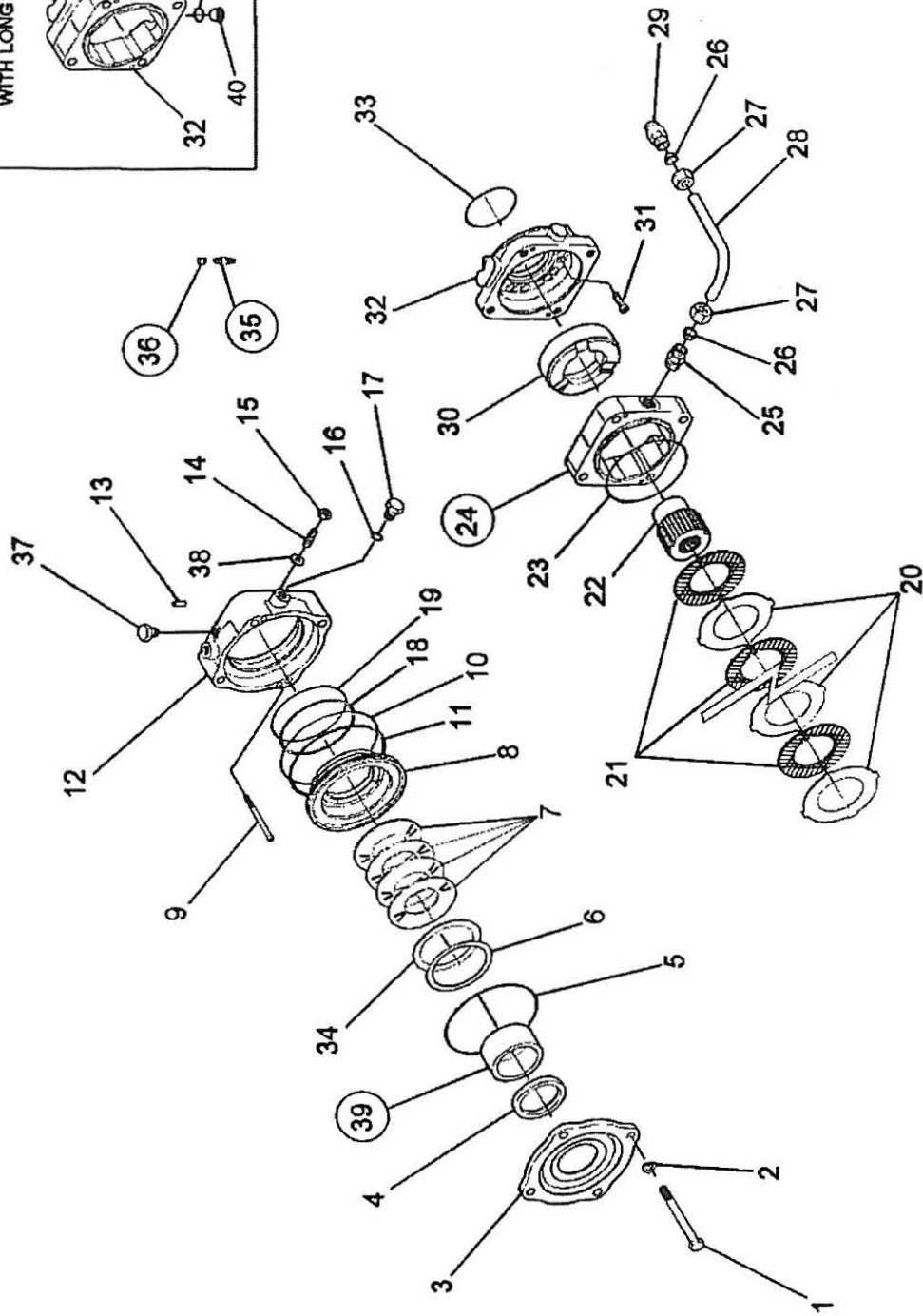
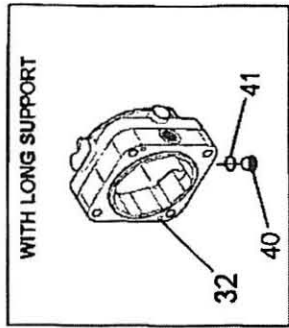
TEREX HANDLERS
455 N. Superior Ave., Baraga, MI 49908-0248
PH: (906) 353-6675; FAX: (906) 353-7543
INTERNET: <http://www.sqshooter.com>



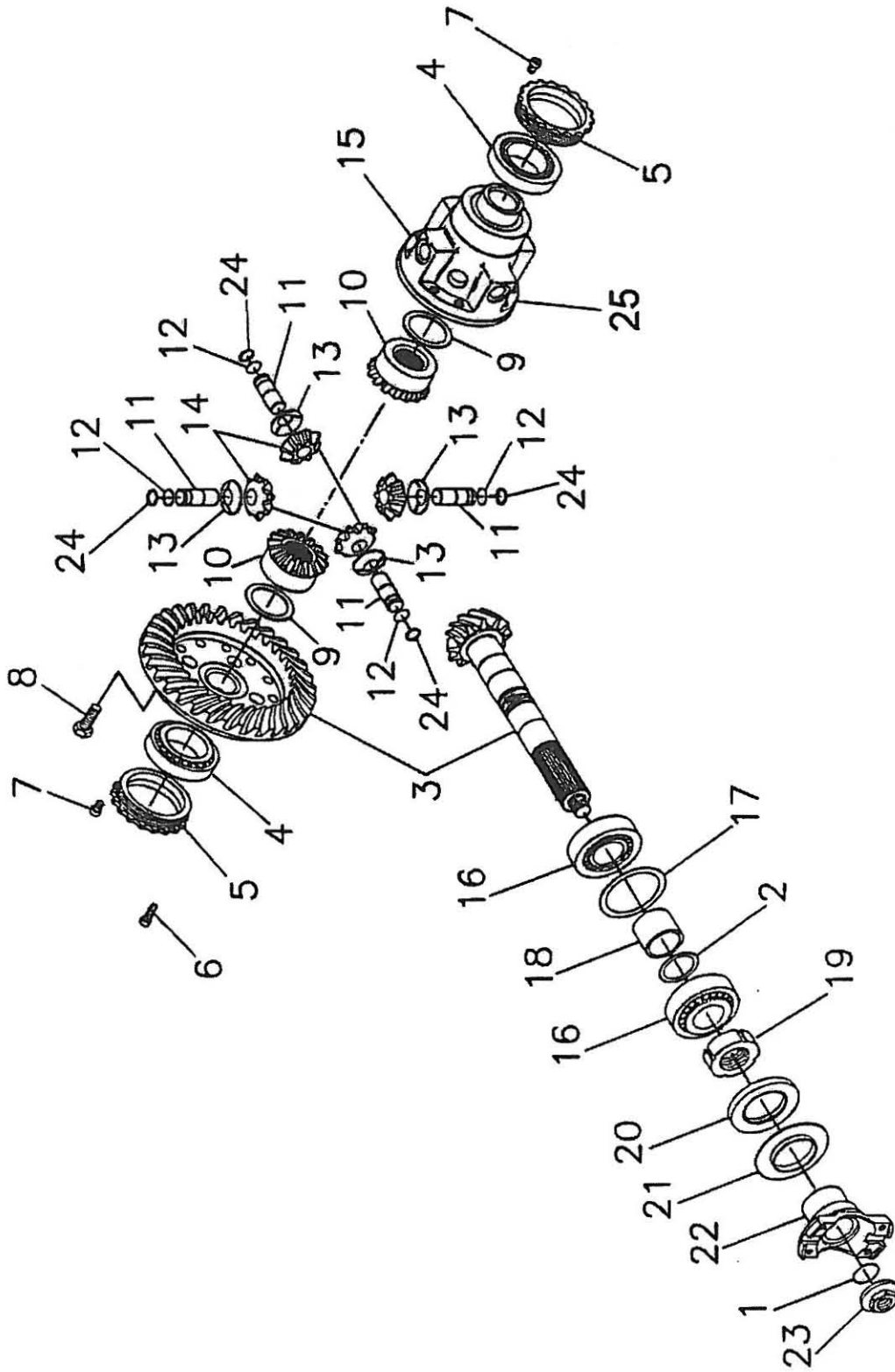
⑭ = Position KIT = 4+5+6+7+8+9



ITEM	NUMBER	DESCRIPTION	REQD
1	7-229-520	O-RING	3
2	7-229-521	INTERMEDIATE COVER	1
3	7-229-715	HOUSING	1
4	7-229-523	COVER	1
5	7-229-524	VENT	1
6	7-229-525	SEAL WASHER	2
7	7-229-526	PLUG	1
8	7-229-527	MAGNETIC PLUG	1



24 35 36 39 OPTIONAL



Position Kit N° 25 = 9+10+11+12+13+14+15+24

CLICK HERE TO **DOWNLOAD** THE COMPLETE MANUAL

- Thank you very much for reading the preview of the manual.
- You can download the complete manual from: www.heydownloads.com by clicking the link below



- Please note: If there is no response to CLICKING the link, please download this PDF first and then click on it.

CLICK HERE TO **DOWNLOAD** THE COMPLETE MANUAL