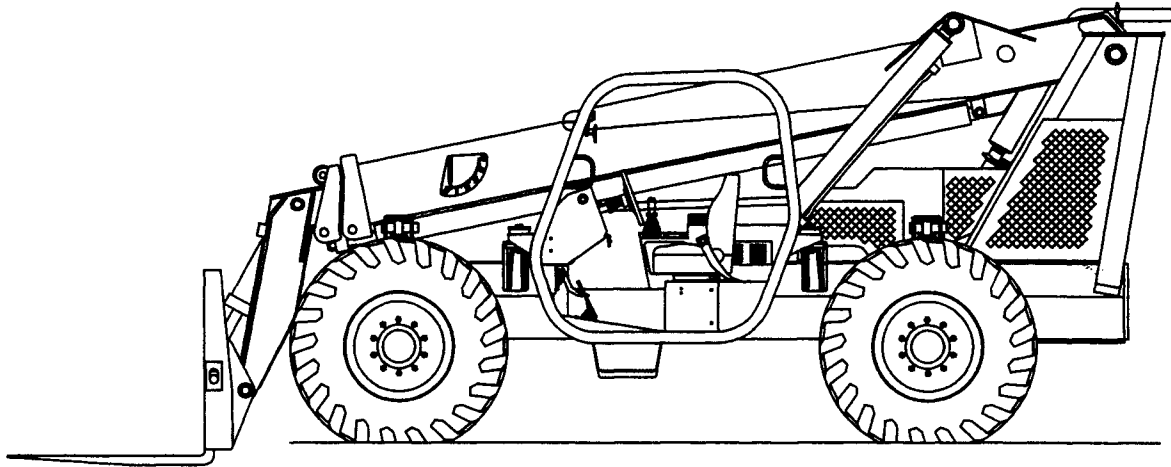


PARTS BOOK TH644C



DATE: 03-03-04

JOHN DEERE TIER II 4045 TURBO ENGINE

DANA 212 AXLES

CLARK T12000 TRANSMISSION

REMOTE MOUNTED SAF-T-CAB II

REXROTH HYDRAULIC PUMP

VOAC MAIN VALVE

VOAC 4-WAY CONTROLLER

Serial Number: _____

TEREX HANDLERS

455 N. Superior Ave., Baraga, MI 49908-0790

PH: (906) 353-6675; FAX: (906) 353-7543

INTERNET: <http://www.terex.com>

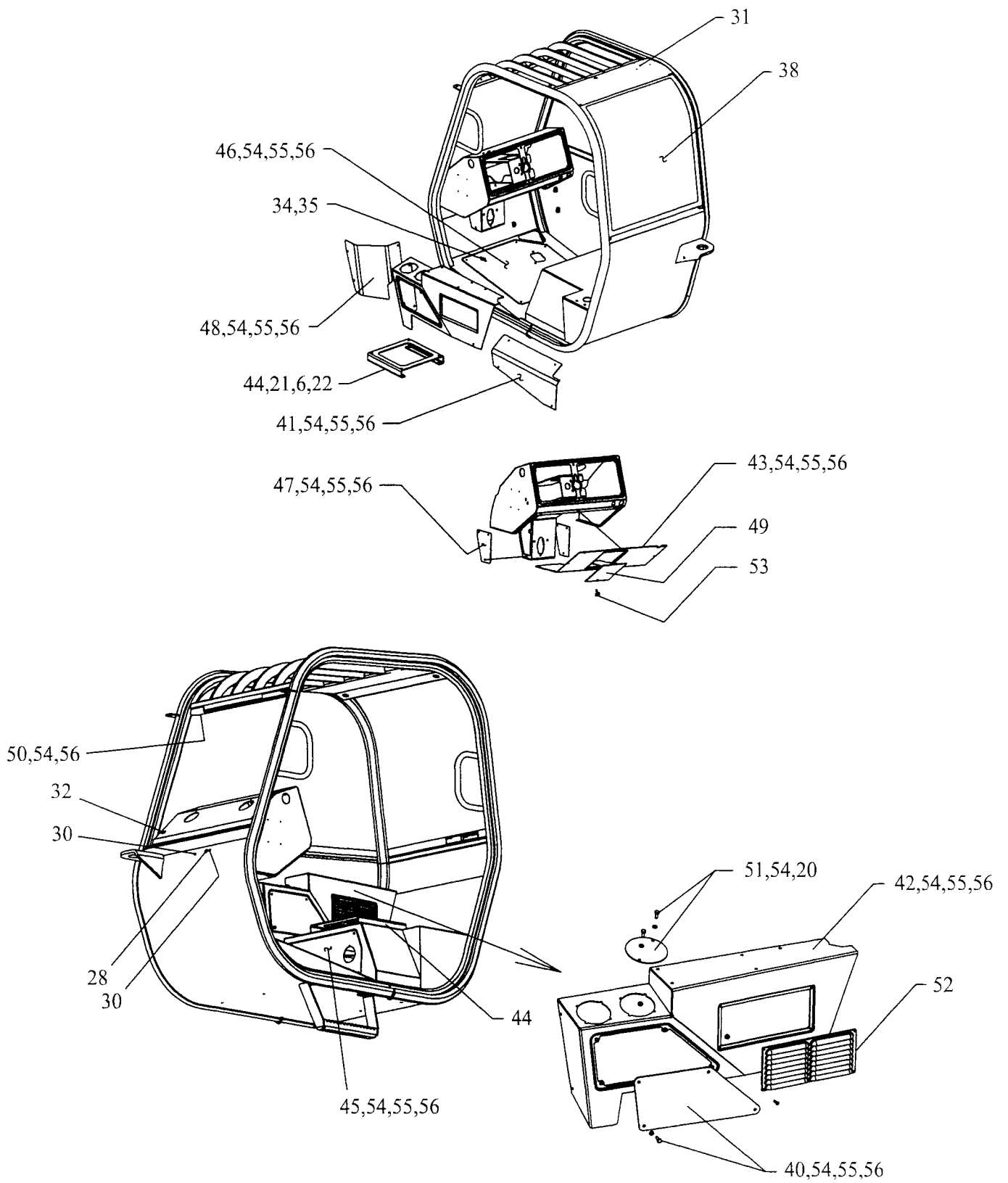
CLICK HERE TO **DOWNLOAD** THE COMPLETE MANUAL

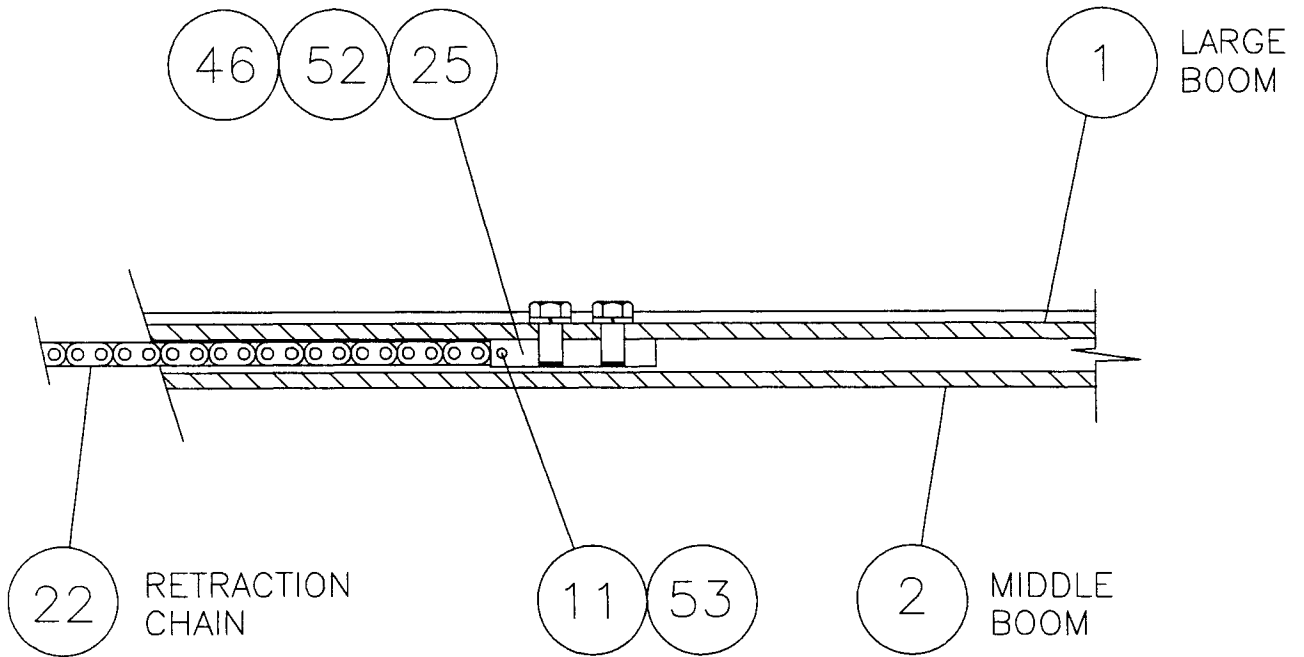
- Thank you very much for reading the preview of the manual.
- You can download the complete manual from: www.heydownloads.com by clicking the link below



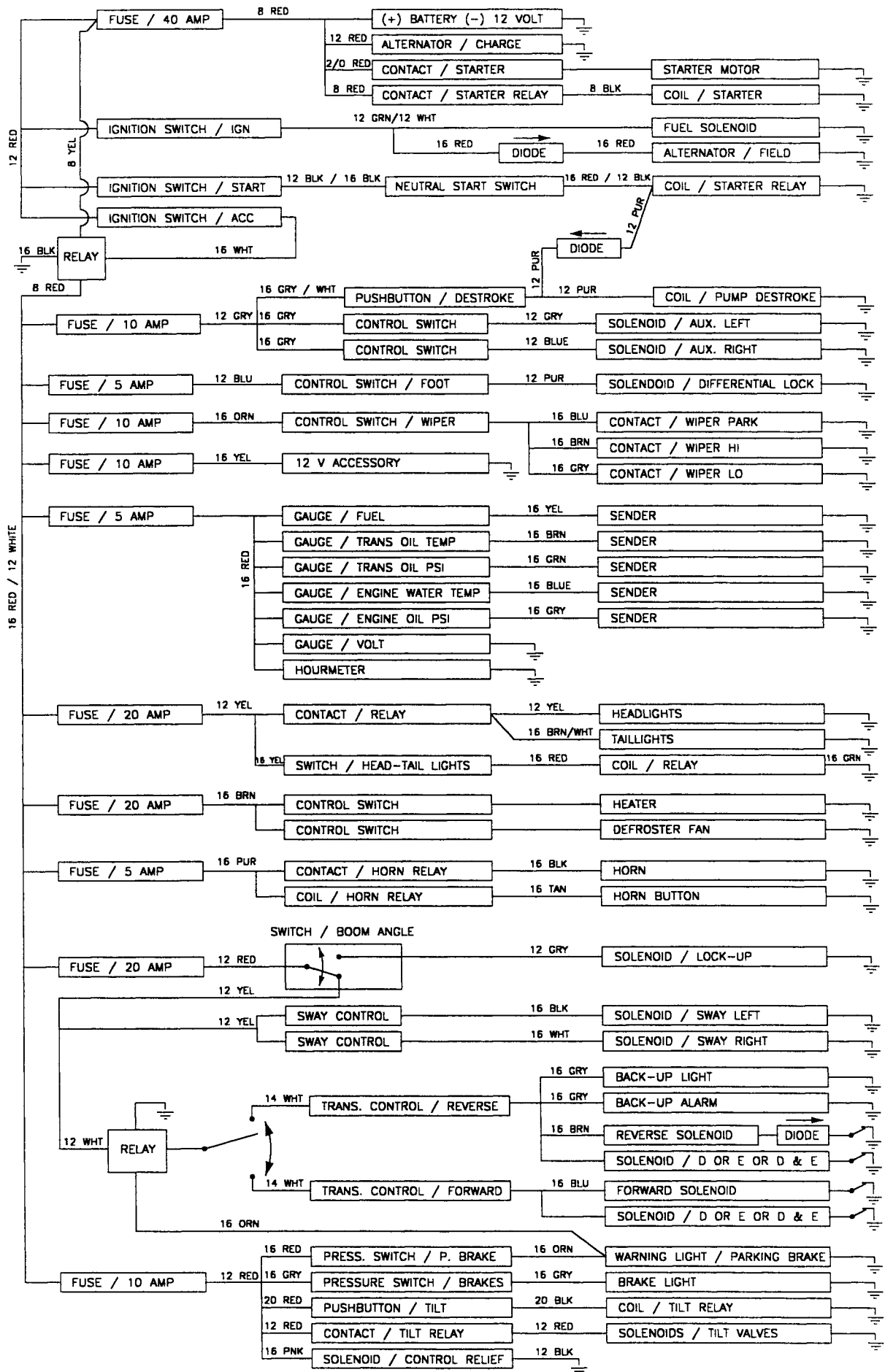
- Please note: If there is no response to CLICKING the link, please download this PDF first and then click on it.

CLICK HERE TO **DOWNLOAD** THE COMPLETE MANUAL



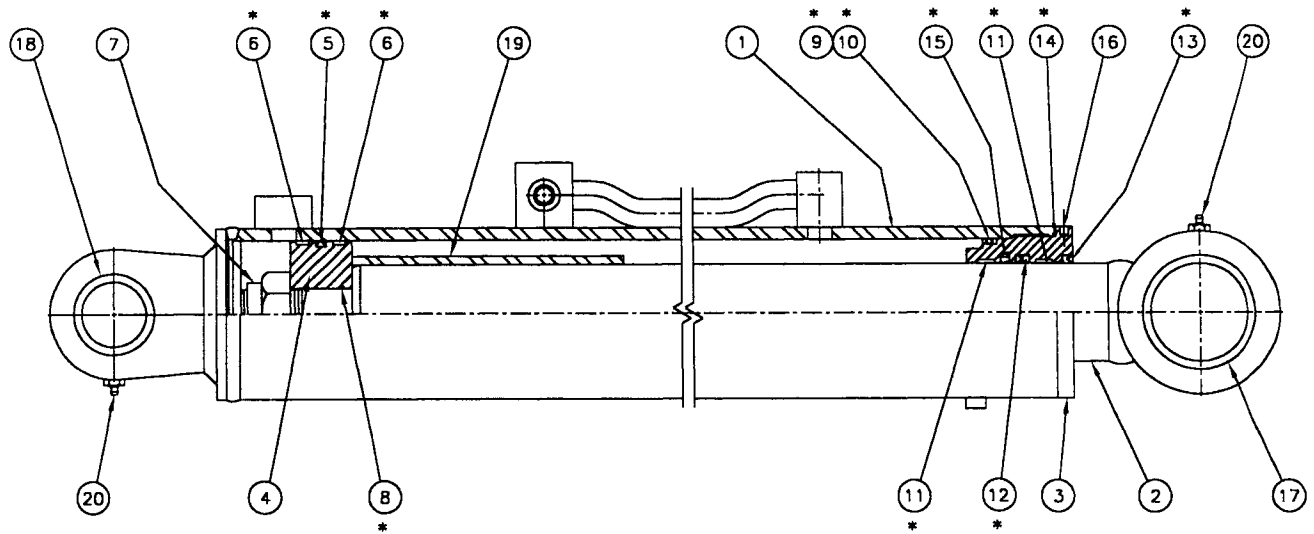


VIEW OF RETRACTION CHAIN MOUNTED TO LARGE BOOM



ITEM	NUMBER	DESCRIPTION	REQD
1	6-5204-14	CAPSCREW 1/4 NC x 1 3/4 LG.	4
2	6-6211-04	LOCKWASHER 1/4	4
3	6-6212-04	FLATWASHER 1/4	8
4	6-7022-34	HOSE / 04 x 04-90 x 17 LG.	1
5	6-6450-05	FITTING / 06 OR x 04 JIC STR.	9
6	6-6450-09	FITTING / 08 OR x 06 JIC STR.	1
7	6-6452-19	FITTING / 06 OR x 04 JIC 45	2
8	6-6453-04	FITTING / 06 OR x 04 JIC 90	10
9	6-6455-05	FITTING / 06 OR x 06 JIC RN-TEE	1
10	6-6455-15	FITTING / 06 OR x 04 JIC RN-TEE	1
11	6-6480-03	FITTING / 04 JIC SW-BR-TEE	1
12	6-6483-05	FITTING / 06 JIC CROSS	1
13	6-6485-06	FITTING / 06 OR x 06 JIC SWIVEL	1
14	6-7002-244	HOSE / 04 x 04 x 122 LG.	2
15	6-7002-17	HOSE / 04 x 04 x 8 1/2 LG.	1
16	6-7002-26	HOSE / 04 x 04 x 13 LG.	1
17	6-7002-276	HOSE / 04 x 04 x 138 LG.	2
18	6-7002-34	HOSE / 04 x 04 x 17 LG.	1
19	6-7022-100	HOSE / 04 x 04-90 x 50 LG.	1
20	6-7003-174	HOSE / 06 x 06 x 87 LG.	1
21	6-7003-150	HOSE / 06 x 06 x 75 LG.	1
22	6-7023-80	HOSE / 06 x 06-90 x 40 LG.	1
23	6-7022-44	HOSE / 04 x 04-90 x 22 LG.	1
24	6-7022-28	HOSE / 04 x 04-90 x 14 LG.	1
25	7-198-48	ACTUATOR / HANGING BRAKE PEDAL	REF
26	6-7002-180	HOSE / 04 x 04 x 90 LG.	1
27	7-200-139	CONTROLLER / 4-WAY	REF
28	7-367-06	CARTRIDGE / NORMALLY OPEN	REF
29	7-244-27	DIN CONNECTOR	REF
30	7-367-09	VALVE / ELECTRIC 4-WAY (2)	REF
31	7-367-05	COIL / DIN	REF
32	7-367-07	VALVE BODY / CONTROLLER RELIEF	REF
33	7-234-94	CONTROL BLOCK	REF
34	7-367-01	VALVE ASSY / CONTROLLER RELIEF	REF
35	6-6455-05	FITTING / 06 OR x 06 JIC RN-TEE	1
36	6-5204-06	CAPSCREW 1/4 NC x 3/4 LG.	4
37	6-6211-04	LOCKWASHER 1/4	4
38	6-6201-04	HEX NUT 1/4 NC	4

ITEM	NUMBER	DESCRIPTION	REQD
1	6-6450-05	FITTING / 06 OR x 04 JIC STR.	1
2	6-6452-19	FITTING / 06 OR x 04 JIC 45	3
3	7-256-27	PRESSURE CHECK / MALE	2
4	7-302-01	PRESSURE CHECK / MALE	2
5	6-7022-30	HOSE / 04 x 04-90 x 15 LG.	1
6	6-7002-34	HOSE / 04 x 04 x 17 LG.	3
7	7-234-94	CONTROL BLOCK	REF
8	7-234-50	VALVE / TILT LIMITER	REF
9	6-6457-05	FITTING / 06 OR PLUG	2



ITEM	NUMBER	DESCRIPTION	REQD
1	7-316-290	BARREL ASSEMBLY	1
2	7-316-257	ROD ASSEMBLY	1
3	7-316-291	HEAD	1
4	7-316-258	PISTON	1
5	7-316-54	SEAL / PISTON	(*) 1
6	7-316-234	WEAR RING / PISTON	(*) 2
7	7-316-73	SELF-LOCKING NUT	1
8	7-316-80	O-RING / STUB SHAFT	(*) 1
9	7-316-81	O-RING / HEAD	(*) 1
10	7-316-82	BACK-UP RING / HEAD	(*) 1
11	7-316-383	WEAR RING / HEAD	(*) 2
12	7-316-30	SEAL / SHAFT	(*) 1
13	7-316-36	WIPER / SHAFT	(*) 1
14	7-316-245	O-RING	(*) 1
15	7-316-382	BUFFER SEAL	(*) 1
16	7-316-247	SELF TAPPING SCREW	1
17	7-316-155	BRONZE BUSHING / Ref 6-4524-32	1
18	7-316-156	BRONZE BUSHING / Ref 6-4516-24	1
19	7-316-260	STROKE LIMITER	1
20	7-316-150	LUBE FITTING	2
21			
22	7-900-21	SEAL KIT / ITEMS MARKED	(*) REF

CLICK HERE TO **DOWNLOAD** THE COMPLETE MANUAL

- Thank you very much for reading the preview of the manual.
- You can download the complete manual from: www.heydownloads.com by clicking the link below



- Please note: If there is no response to CLICKING the link, please download this PDF first and then click on it.

CLICK HERE TO **DOWNLOAD** THE COMPLETE MANUAL

ITEM	NUMBER	DESCRIPTION	REQD
1	7-147-08	HOUSING	1
2	7-147-09	O-RING*	1
3	7-147-10	FRONT COVER	1
4	7-147-11	DUST SEAL*	1
5	7-147-12	SPRING, FLAT	2
6	7-147-13	SPRING	4
7	7-147-14	CONTROL SPOOL	1
8	7-147-15	X-RING*	1
9	7-147-16	RETAINING RING	1
10	7-147-17	BEARING RACE 1	1
11	7-147-18	THRUST BEARING	1
12	7-147-19	BEARING RACE 2	1
13	7-147-20	SEAL PLUG	4
14	7-147-21	O-RING*	1
15	7-147-22	O-RING*	2
16	7-147-23	DISTRIBUTOR PLATE	1
17	7-147-24	SCREW	7
18	7-147-25	WASHER	7
19	7-147-26	SPACER	1
20	7-147-27	END COVER	1
21	7-147-28	GEAR WHEEL SET	1
22	7-147-29	DRIVE	1
23	7-147-30	CONTROL SLEEVE	1
24	7-147-31	PIN	1
25	7-147-32	RING	1
26	7-147-33	PLUG	1
27	7-147-34	O-RING*	1
28	7-147-35	VALVE SEAT	1
29	7-147-36	O-RING*	1
30	7-147-37	BALL	1
31	7-147-38	CROSS SUPPORT	1
32	7-147-07	SEAL KIT (INCL. ITEMS 2,4,8,14,15,27, & 29)	REF

ITEM	NUMBER	DESCRIPTION	REQD
1	7-200-117	INLET SECTION with SPOOL	1
2	7-200-118	CONTROL SECTION with SPOOLS	1
3	7-200-50	SPACER	6
4	7-200-91	LIFTING LUG	2
5	7-200-44	TIE ROD	3
6	7-200-45	FLANGE NUT	6
7	7-200-46	BRACKET	2
8	7-200-39	PLUG	2
9	7-200-92	O-RING	3
10	7-200-38	ADAPTER	1
11	7-200-93	BACK-UP RING	1
12	7-200-94	O-RING	1
13	7-200-95	O-RING	6
14	7-200-96	O-RING	2
15	7-200-119	OUTLET SECTION with SPOOL	1
16	7-200-120	MAIN RELIEF ASSEMBLY	1
17	7-200-52	O-RING	6
18	7-200-97	O-RING	4
19	7-200-98	SPRING	6
20	7-200-99	CASING / SPRING CENTERING	6
21	7-200-100	SPRING / CENTERING	6
22	7-200-101	O-RING	6
23	7-200-102	O-RING	6
24	7-200-103	SUPPORT RING	6
25	7-200-104	ADJUSTING SCREW	6
26	7-200-105	CAP	6
27	7-200-61	FLANGE NUT	6
28	7-200-62	WASHER	12
29	7-200-63	SCREW	12
30	7-200-64	PLUG	3
31	7-200-106	O-RING	3
32	7-200-66	SPRING	3
33	7-200-107	POPPET	3
34	7-200-68	BACK-UP RING	6
35	7-200-69	O-RING	6
36	7-200-70	Y-PLUG	6
37		SPOOL (with items 2 and 15)	3
38	7-200-108	SPRING KIT (ITEMS 19, 20, & 21)	REF
39	7-200-109	CAP ASSY (ITEMS 22 THRU 29)	REF
40	7-200-76	CHECK VALVE ASSY (ITEMS 30 THRU 33)	REF
41	7-200-77	Y-PLUG ASSY (ITEMS 17, 34, 35, & 36)	REF
42	7-200-110	BRACKET KIT (ITEMS 4, 6, & 7)	REF
43	7-200-111	SEAL KIT (ITEMS 45, 46, & 47)	REF
44	7-200-78	PLUG KIT (ITEMS 8 & 9)	REF
45	7-200-112	O-RING	1
46	7-200-113	BACK-UP RING	1
47	7-200-52	O-RING	1
48	7-200-114	SEAL KIT (ITEMS 22, 23, & 27)	REF
49	7-200-115	SEAL KIT (ITEMS 9, 11, & 12)	REF
50	7-200-116	SEAL KIT (ITEMS 3, 13, 14, & 18)	REF
51	7-200-121	SEALING CAP	1
52	7-200-122	SEALING WIRE	1
53	7-200-123	SEALING LEAD	1
54	7-200-124	SEALING CAP KIT (ITEMS 51, 52, & 53)	REF

DRAWING
NUMBER

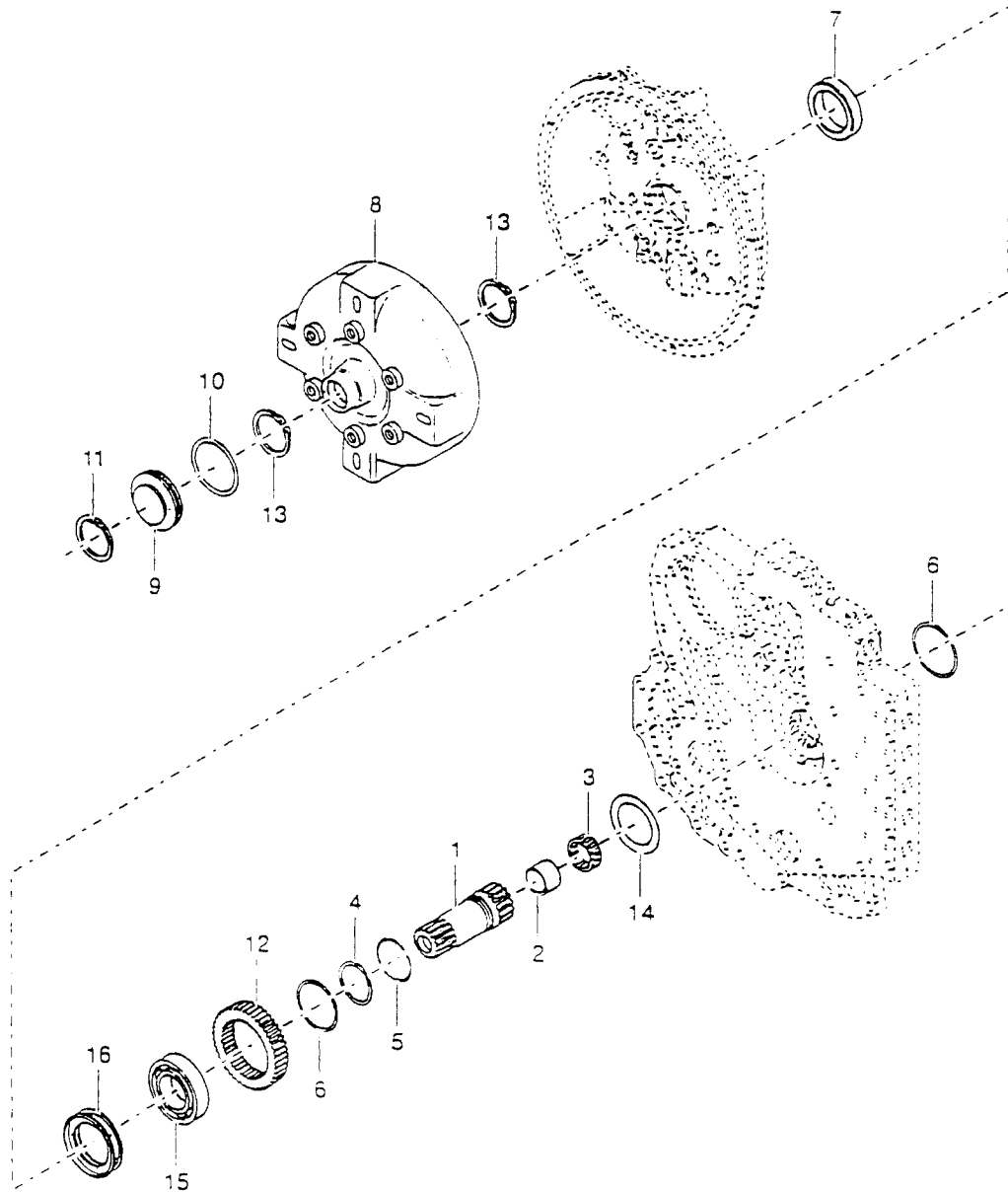
P4-1425

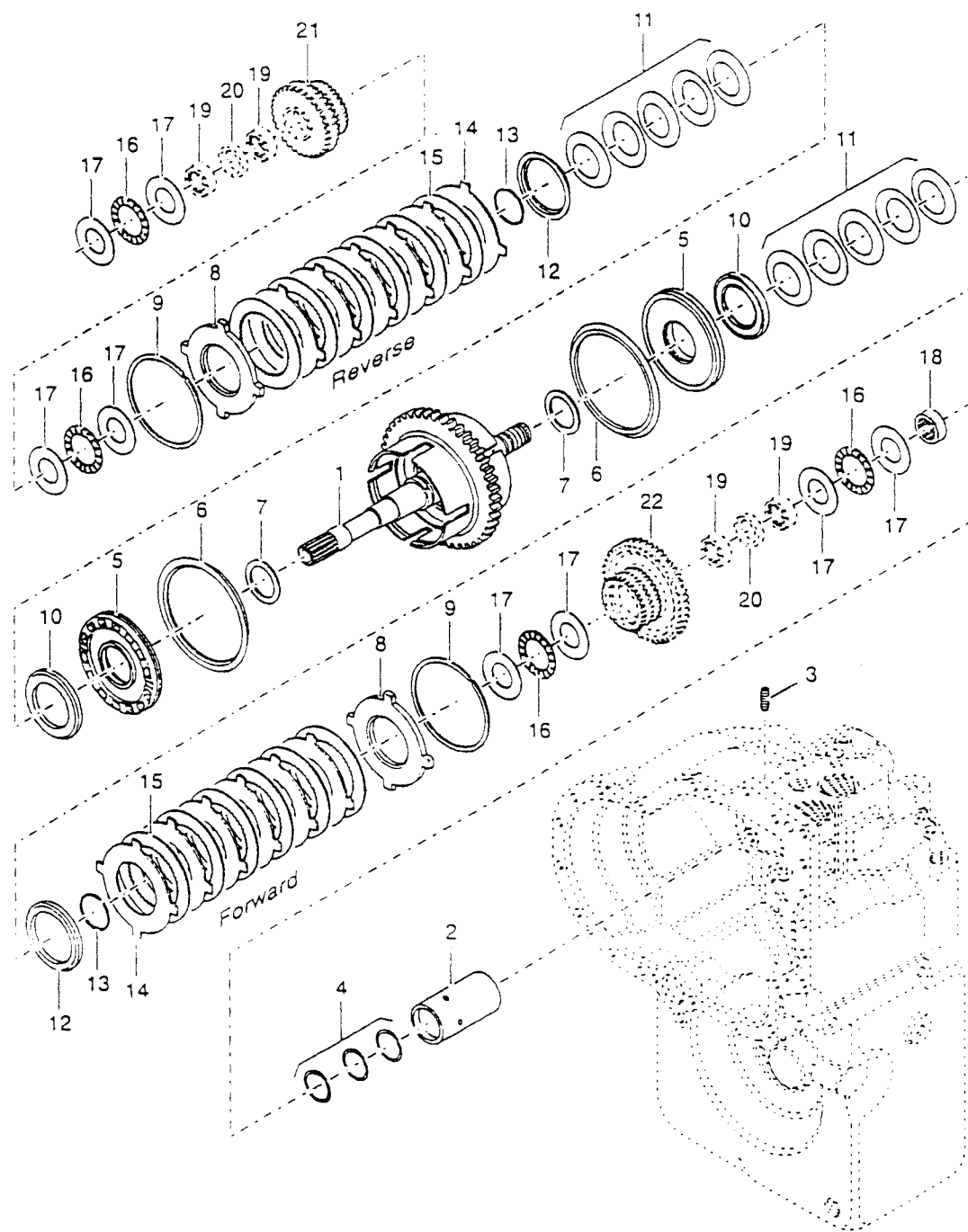
MAIN VALVE ASSEMBLY / 7-200-80
TH644C

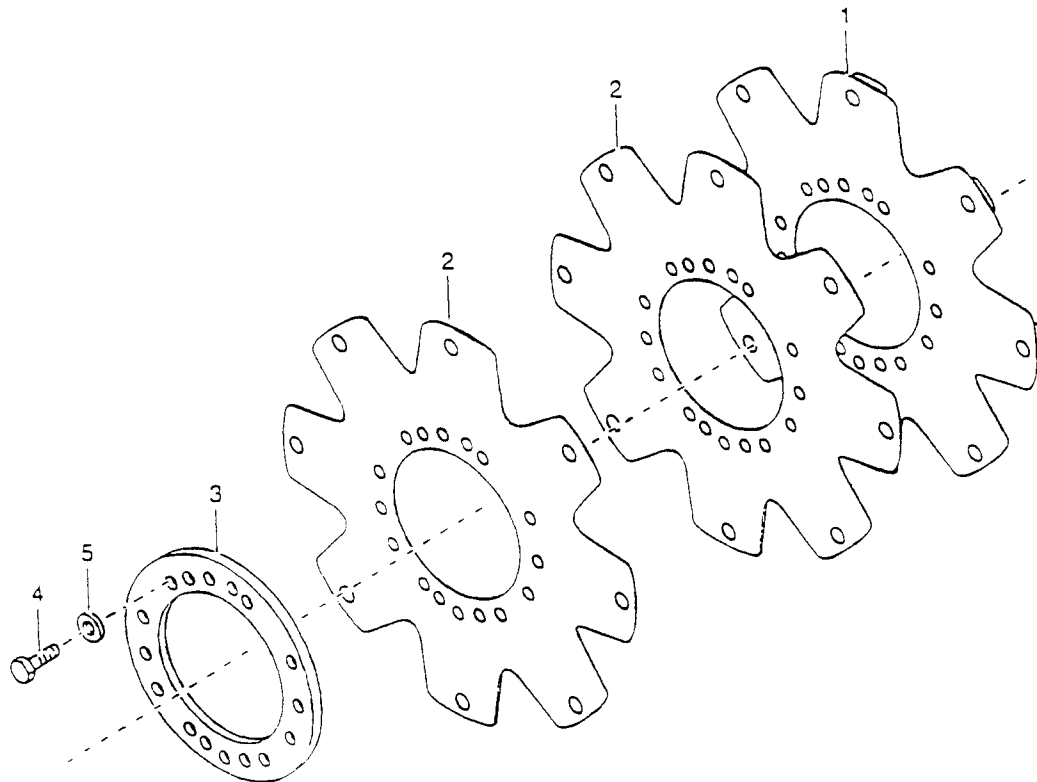
PAGE
NUMBER 52A

OPTIONAL EQUIPMENT SECTION

ITEM	NUMBER	DESCRIPTION	REQD
1	6-6450-08	FITTING / 06 OR x 06 JIC STR. (R)	1
2	6-7023-40	HOSE / 06 x 06-90 x 20 LG.	1
3	6-6453-07	FITTING / 08 OR x 06 JIC 90	1
4	7-234-84	BODY / NEEDLE VALVE	1
5	7-234-17	CARTRIDGE / NEEDLE VALVE	1
6	6-5205-30	CAPSCREW 5/16 NC x 3 3/4 LG.	1
7	6-6450-09	FITTING / 08 OR x 06 JIC STR.	1
8	6-6450-08	FITTING / 06 OR x 06 JIC STR. (T2)	1
9	6-7023-62	HOSE / 06 x 06-90 x 31 LG.	2
10	6-6452-03	FITTING / 06 OR x 06 JIC 45	2
11	7-244-31	4-WAY ELECTRIC VALVE	1
12	7-139-04	SWITCH / AUXILLIARY	1
13	7-244-27	DIN CONNECTOR	2
14	6-5204-12	CAPSCREW 1/4 NC x 1 1/2 LG.	2
15	6-6211-04	LOCKWASHER 1/4	2
16	6-6201-04	HEX NUT 1/4 NC	2
17	6-6450-08	FITTING / 06 OR x 06 JIC STR.	2
18	6-7043-184	HOSE / 08 x 06-90 x 92 LG.	2
19	6-9615-560	HOSE ARMOR 1.00 ID x 70 LG.	1
20	6-6490-03	FITTING / 08 JIC x 08 TUBE STR.	2
21	3-1064-5	FORMED TUBE 1/2 OD	1
22	3-1064-6	FORMED TUBE 1/2 OD	1
23	7-273-21	CLAMP HALF SET / 1/2 TWIN TUBE	4
24	7-273-23	TOP PLATE / 1/2 TWIN TUBE CLAMP	4
25	6-5205-10	CAPSCREW 5/16 NC x 1 1/4 LG.	4
26	6-6490-03	FITTING / 08 JIC x 08 TUBE STR.	2
27	6-7013-22	HOSE / 06 x 08 x 11 LG.	2
28	6-6450-08	FITTING / 06 OR x 06 JIC STR.	2
29	7-292-01	HOSE REEL ASSEMBLY	1
30	1-2020	MOUNT / HOSE REEL	REF
31	1-2020	MOUNT / HOSE REEL	REF
32	6-5208-36	CAPSCREW 1/2 NC x 4 1/2 LG.	2
33	6-6211-08	LOCKWASHER 1/2	2
34	6-6201-08	HEX NUT 1/2 NC	2
35	6-6450-08	FITTING / 06 OR x 06 JIC STR.	2
36	7-292-03	BONDED HOSE	1
37	6-6477-05	FITTING / 06 JIC BH-UNION 90	2
38	3-1222-1	BULKHEAD MOUNTING PLATE	1
39	6-5206-06	CAPSCREW 3/8 NC x 3/4 LG.	2
40	6-6211-06	LOCKWASHER 3/8	REF
41	6-7023-128	HOSE / 06 x 06-90 x 64 LG.	2
42	7-273-27	CLAMP HALF SET / 3/8 TWIN HOSE	1
43	7-273-23	TOP PLATE / 3/8 HOSE CLAMP	1
44	6-5205-14	CAPSCREW 5/16 NC x 1 3/4 LG.	1
45	6-6450-08	FITTING / 06 OR x 06 JIC STR.	1
46	6-6453-06	FITTING / 06 OR x 06 JIC 90	1
47	7-234-35	DUAL CHECK VALVE	1
48	6-5605-20	CAPSCREW / SH 5/16 NC x 2 1/2 LG.	2
49	6-6214-05	LOCKWASHER 5/16 HI-COLLAR	2
50	6-6493-02	FITTING / 06 OR x 06 TUBE 90	1
51	1-1065	FORMED TUBE / 3/8 x 6 1/8 LG.	1
52	6-6493-02	FITTING / 06 OR x 06 TUBE 90	1
53	7-379-01	CYLINDER / ROTATE	REF





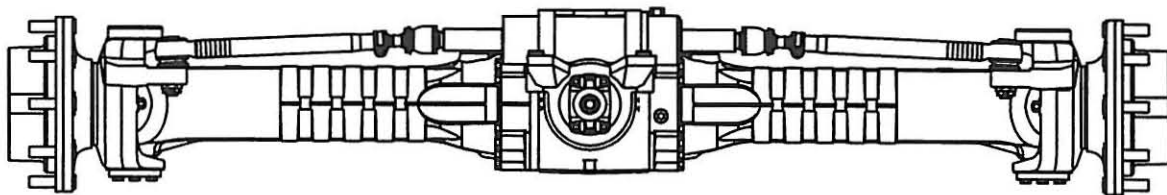


ITEM	NUMBER	DESCRIPTION	REQD
1	N.S.S.	DRIVE PLATE w/ WELD NUTS	1
2	N.S.S.	DRIVE PLATE	2
3	7-126-60	DRIVE PLATE BACKING RING	1
4	7-126-516	SCREW	6
5	7-126-54	LOCKWASHER	6
6	7-126-383	DRIVE PLATE KIT (INCLUDES ITEMS 1-5)	1

N.S.S. = NOT SOLD SEPARATELY

ITEM	NUMBER	DESCRIPTION	REQD
1	7-229-623	NUT	2
2	7-229-624	STEERING ADJUST BOLT	2
3	7-229-677	AXLE CASE	2
4	7-229-560	BOLT	32
5	7-229-561	WASHER	32
6	7-229-562	REDUCTION BUSHING	2
7	7-229-563	SEAL	2
8	7-229-564	BALL BEARING	2
9	7-229-565	CIRCLIP	2
10	7-229-566	O-RING	2
11	7-229-567	UNIVERSAL JOINT	2
12	7-229-568	THRUST BUSHING	2
13	7-229-569	OUTER RACE	2
14	7-229-539	BOLT	20
15	7-229-570	COVER	2
16	7-229-571	PLUG	4
17	7-229-572	GREASE FITTING	2
18	7-229-573	PIVOT PIN	2
19	7-229-574	PIVOT PIN	2
20	7-229-575	SEAL	2
21	7-229-576	ARTICULATION	2
22	7-229-678	STEERING CASE / LH	1
23	7-229-578	SEAL	2
24	7-229-579	DUST EXCLUDER	2
25	7-229-580	MAGNET PLUG	2
26	7-229-526	PLUG	3
27	7-229-679	STEERING CASE / RH	1
28	7-229-582	SEAL	2
29	7-229-583	BEARING	20
30	7-229-692	WHEEL STUD	20
31	7-229-680	WHEEL HUB	2
32	7-229-586	O-RING	2
33	7-229-587	RING GEAR	2
34	7-229-588	RING GEAR SUPPORT	2
35	7-229-589	CIRCLIP	8
36	7-229-590	PLANET GEAR	8
37	7-229-591	BEARING	8
38	7-229-592	WHEEL NUT	20
39	7-229-525	SEAL WASHER	5
40	7-229-681	COUNTERSUNK BOLT	4
41	7-229-682	PLANET GEAR CARRIER	2
42	7-229-595	STUD	16
43	7-229-596	NUT	16
44	7-229-597	CIRCLIP	2
45	7-229-598	ADJUSTING BOLT	2
46	7-229-599	NUT	2
47			
48			
49	7-229-600	LOCKING PLATE	2
50	7-229-601	CIRCLIP	2

REAR AXLE
PARTS BOOK
TH636C TH644C TH842C TH844C



DATE: 9-7-99

SPICER CLARK-HURTH 212/184 AXLE

7-229-619 STEERING CYLINDER

TEREX HANDLERS

455 N. Superior Ave., Baraga, MI 49908-0248

PH: (906) 353-6675; FAX: (906) 353-7543

INTERNET: <http://www.sqshooter.com>

CLICK HERE TO **DOWNLOAD** THE COMPLETE MANUAL

- Thank you very much for reading the preview of the manual.
- You can download the complete manual from: www.heydownloads.com by clicking the link below



- Please note: If there is no response to CLICKING the link, please download this PDF first and then click on it.

CLICK HERE TO **DOWNLOAD** THE COMPLETE MANUAL