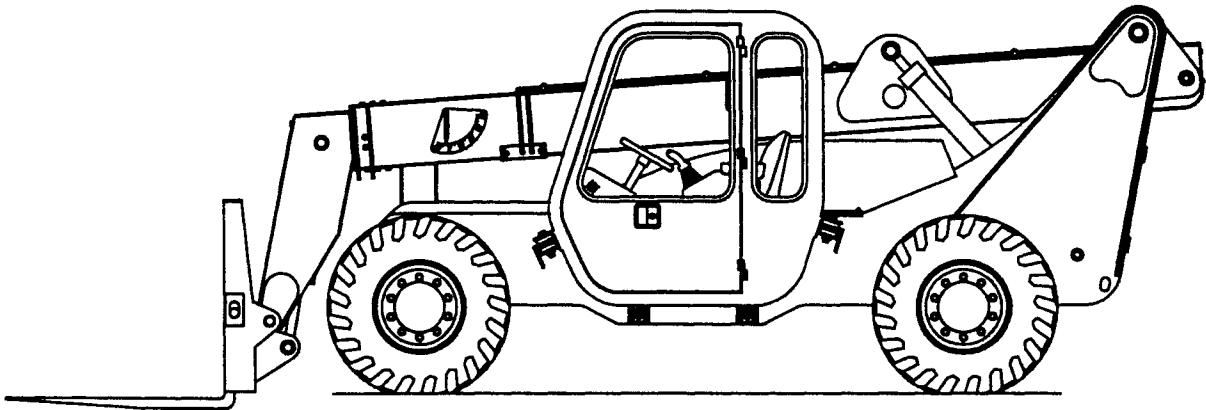


PARTS BOOK TH528



DATE: 9-3-99

CUMMINS B3.9-C-80 ENGINE
CLARK T12000 SERIES TRANSMISSION
CARRARO 26.25M AXLES
7-316 HYDRAULIC CYLINDERS

Serial Number: _____

TEREX HANDLERS

455 N. Superior Ave., Baraga, MI 49908-0248

PH: (906) 353-6675; FAX: (906) 353-7543

INTERNET: <http://www.sqshooter.com>

CLICK HERE TO **DOWNLOAD** THE COMPLETE MANUAL

- Thank you very much for reading the preview of the manual.
- You can download the complete manual from: www.heydownloads.com by clicking the link below

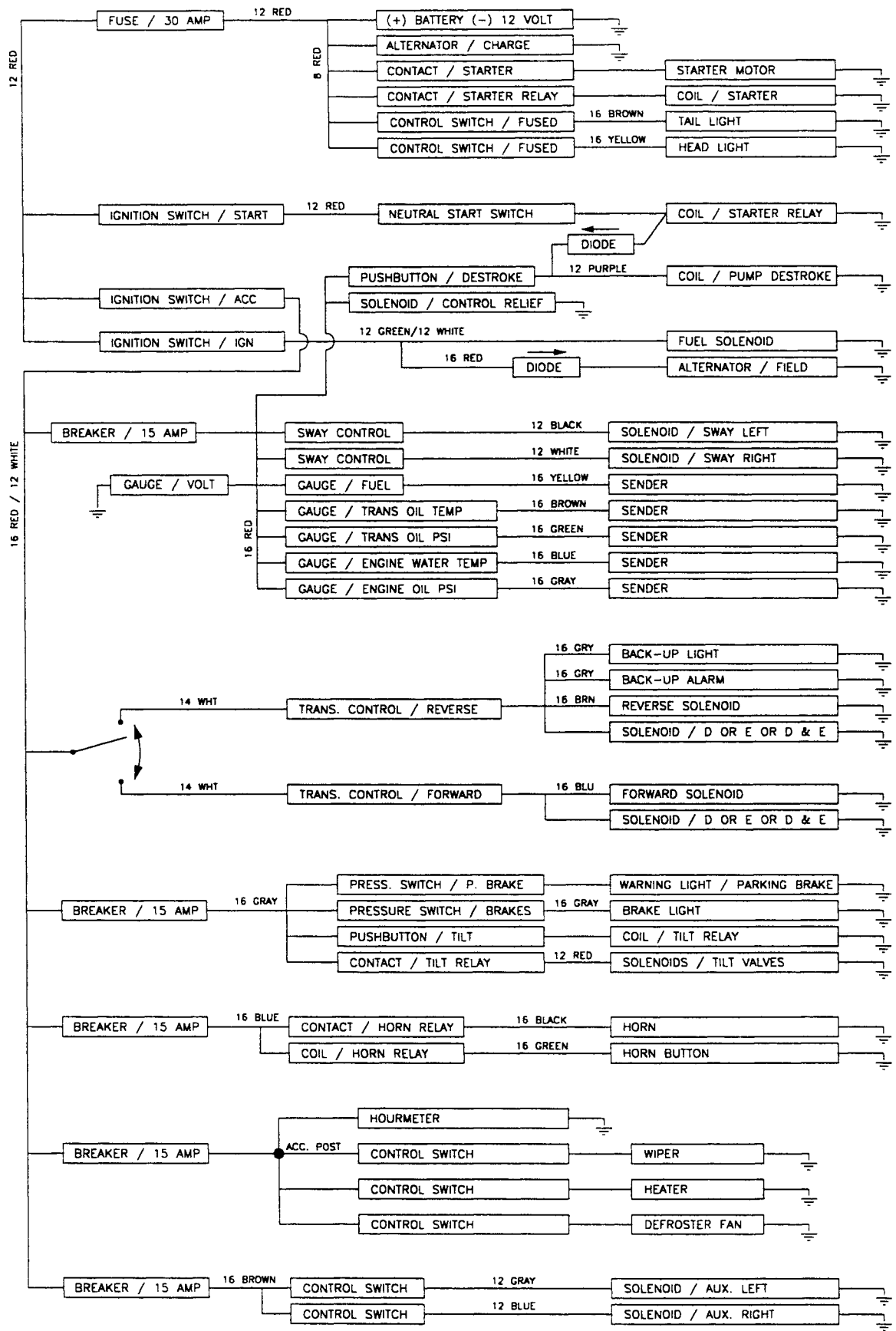


- Please note: If there is no response to CLICKING the link, please download this PDF first and then click on it.

CLICK HERE TO **DOWNLOAD** THE COMPLETE MANUAL

ITEM	NUMBER	DESCRIPTION	REQD
1	7-197-01	SEAT	1
2	7-337-01	SEAT BELT	1
3	7-104-01	LEVEL GAGE	1
4	7-194-09	GROMMET	1
5	6-9601-80	EDGING 1/4 x 10 LG.	1
6	6-9601-133	EDGING 1/4 x 16 5/8 LG.	4
7	4-1861-1	GLASS / SKYLIGHT	1
8	6-4110-05	GLASS / WINDSHIELD	1
9	6-4110-07	GLASS / REAR	1
10	6-4010-02	GLASS / RH / REAR SLIDER	1
11	6-3910-06	GLASS / LH / DOOR	1
12	6-4110-06	GLASS / LH / CAB	1
13	6-3910-07	GLASS / RH / FRONT SLIDER	1
14	6-9608-832	RUBBER / WINDSHIELD	1
15	6-9608-720	RUBBER / REAR WINDOW	1
16	6-9608-960	RUBBER / LH / DOOR	1
17	6-9608-664	RUBBER / LH / CAB	1
18	4-1862-1	CHANNEL WELDMENT / REMOVABLE	REF
19	7-226-03	HANDLE / SLIDING WINDOW	1
20	6-9614-268	RUBBER CHANNEL	1
21	6-9614-110	RUBBER CHANNEL	1
22	6-9614-227	RUBBER CHANNEL	1
23	6-9614-298	RUBBER CHANNEL	1
24	6-9614-271	RUBBER CHANNEL	1
25	6-6211-04	LOCKWASHER 1/4	2
26	6-5204-04	CAPSCREW 1/4 NC x 1/2 LG.	8
27	6-6212-04	FLATWASHER 1/4	8
28	7-319-17	GROUND STRAP / CAB (NOT SHOWN)	1
29	4-1386-5	LOAD CHART / TH528	1
30	7-256-32	NUT / STEERING WHEEL (w/ ITEM 36)	REF
31	7-256-30	STEERING ORBITRAL	1
32	7-256-31	STEERING COLUMN	1
33	7-352-01	STEERING WHEEL	1
34	7-352-02	HORN BUTTON KIT	1
35	6-5206-06	CAPSCREW 3/8 NC x 3/4 LG.	2
36	6-6211-06	LOCKWASHER 3/8	2
37	6-6212-06	FLATWASHER 3/8	2
38	6-6201-06	HEX NUT 3/8 NC	2
39	7-351-01	TRANSMISSION CONTROL	1
40	6-6284-08	MACHINE SCREW #10-32 x 3/4 LG.	4
41	6-6286-06	HEX NUT #10-32	4
42	6-6286-12	FLATWASHER #10	4
43	6-6286-07	LOCKWASHER #10	4
44	7-194-07	U-BOLT w/ NUTS	2
45	6-6201-04	HEX NUT 1/4 NC	8
46	4-1832	CONTROLLER MOUNT / ARMREST	1
47	6-5204-06	CAPSCREW 1/4 NC x 3/4 LG.	4
48	6-9601-144	EDGING 1/4 x 18 LG.	1
49	6-6211-04	LOCKWASHER 1/4	4
50	7-194-63	WEATHERSTRIP / PER FOOT	7
51	7-293-23	PANTOGRAPH KIT / WINDSHIELD WIPER	1
52	7-293-24	WIPER ARM / 18 IN.	1

ITEM	NUMBER	DESCRIPTION	REQD
1	4-1816	LARGE BOOM	1
2	4-1817	SMALL BOOM	1
3	3-1154-6	CROSS SHAFT / MAIN PIVOT	1
4	6-5312-40	CAPSCREW 3/4 NF x 5 LG.	1
5	6-6202-12	HEX NUT 3/4 NF	1
6	6-6211-12	LOCKWASHER 3/4	1
7	6-6600-13	THRUSTWASHER 4.00 x 2.50 x .250	2
8	6-6701-06	WASHER / STEEL	1
9	6-6206-24	SELF LOCKING NUT 1 1/2 NF	1
10	7-273-27	CLAMP HALF SET / 3/8 TWIN HOSE	5
11	7-273-23	COVER PLATE / 3/8 HOSE CLAMP	5
12	6-5205-10	CAPSCREW 5/16 NC x 1 1/4 LG.	5
13	2-1191	WEAR PAD / TOP / LG. & SM. BOOM	4
14	6-5208-08	CAPSCREW 1/2 NC x 1 LG.	12
15	6-6211-08	LOCKWASHER 1/2	12
16	2-1209	WEAR PAD / SIDES / LARGE BOOM	2
17	6-5210-10	CAPSCREW 5/8 NC x 1 1/4 LG.	4
18	6-6211-10	LOCKWASHER 5/8	10
19	2-1190	WEAR PAD / BOTTOM / LARGE BOOM	2
20	2-1203	MOUNT / BULKHEAD FITTINGS	1
21	6-5206-04	CAPSCREW 3/8 NC x 1/2 LG.	5
22	6-6211-06	LOCKWASHER 3/8	13
23	6-6301	LUBE FITTING 1/8 NPT STR.	2
24	6-6008-06	FLAT HD. SOCKET SCREW 1/2 NC x 3/4	6
25	2-1189	WEAR PAD / REAR SIDES / SMALL BOOM	2
26	3-1359	ACCESS COVER / TILT VALVE	1
27	3-1366	ACCESS COVER / REAR / LARGE BOOM	1
28	6-5206-06	CAPSCREW 3/8 NC x 3/4 LG.	4
29	6-6212-06	FLATWASHER 3/8	4
30	2-1218-1	CLAMP / 1/2 HOSE	REF
31	6-5206-12	CAPSCREW 3/8 NC x 1 1/2 LG.	4
32	7-296-03	TENSION BUSHING (2 REQ.)	REF
33	6-6275-07	SET SCREW 5/8 NC x 5/8 LG.	2
34	1-1217	POINTER / BOOM ANGLE	1
35	6-5204-08	CAPSCREW 1/4 NC x 1 LG.	1
36	6-6201-04	HEX NUT 1/4 NC	1
37	2-1203-1	COVER PLATE	1
38	4-1881	HOSE GUIDE	1
39	6-6211-07	LOCKWASHER 7/16	2
40	6-6201-07	HEX NUT 7/16 NC	2
41	6-5210-12	CAPSCREW 5/8 NC x 1 1/2 LG	6



ITEM	NUMBER	DESCRIPTION	REQD
1	6-6284-07	MACHINE SCREW #10-32 x 1/2 LG.	6
2	6-6428-13	FITTING / 24 NPT x 24 JIC 90 LONG	1
3	6-6408-07	FITTING / 16 NPT HOLLOW HEX PLUG	1
4	6-6427-21	FITTING / 16 NPT x 16 JIC 90	1
5	6-7190-84	HOSE / 24 x 24-90 SF x 42 LG.	1
6	7-107-04	SPLIT FLANGE / 1 1/2 / HALF ONLY	2
7	6-5208-10	CAPSCREW 1/2 NC x 1 1/4 LG.	4
8	6-6214-08	LOCKWASHER 1/2 HI-COLLAR	REF
9	7-209-121	O-RING / 1 1/2 SPLIT FLANGE	1
10	6-7008-43	HOSE / 16 x 16 x 21 1/2 LG.	1
11	6-6453-19	FITTING / 16 OR x 16 JIC 90	1
12	6-6432-15	FITTING / 08 NPT x 08 JIC RN-TEE	1
13	6-6426-10	FITTING / 08 NPT x 06 JIC 45	1
14	7-356-01	RELIEF VALVE / GEAR PUMP	1
15	6-6450-12	FITTING / 08 OR x 08 JIC STR.	1
16	6-6454-06	FITTING / 08 OR x 08 JIC BR-TEE	1
17	6-6481-06	FITTING / 08 JIC SW-RN-TEE	1
18	6-6495-01	FITTING / 08 JIC x 04 JIC REDUCER	1
19	6-7022-172	HOSE / 04 x 04-90 x 86 LG.	1
20	7-256-27	MALE PRESSURE CHECK	1
21	6-7024-60	HOSE / 08 x 08-90 x 30 LG.	1
22	6-6436-01	FITTING / 20 OR x 20 NPT STR.	2
23	3-1376	MANIFOLD BLOCK	1
24	6-6452-10	FITTING / 16 OR x 16 JIC 45	1
25	6-7008-146	HOSE / 16 x 16 x 73 LG.	1
26	6-6452-21	FITTING / 20 OR x 16 JIC 45	1
27	6-6452-08	FITTING / 12 OR x 12 JIC 45	1
28	6-7156-188	HOSE / 12 x 16-90 SF x 94 LG.	1
29	7-158-36	SPLIT FLANGE / 1 IN. / HALF ONLY	2
30	6-5206-10	CAPSCREW 3/8 NC x 1 1/4 LG.	5
31	6-6211-06	LOCKWASHER 3/8	7
32	7-209-67	O-RING / 1 IN. SPLIT FLANGE	1
33	6-6450-33	FITTING / 16 OR x 10 JIC STR.	1
34	6-6453-09	FITTING / 08 OR x 08 JIC 90	2
35	6-6457-06	FITTING / 08 OR HEX HEAD PLUG	1
36	6-6452-04	FITTING / 08 OR x 08 JIC 45	1
37	6-7004-70	HOSE / 08 x 08 x 35 LG.	1
38	7-161-01	SIGHT GAGE / OIL RESERVOIR	1
39	6-7014-88	HOSE / 08 x 08 x 44 LG.	1
40	6-6453-12	FITTING / 10 OR x 10 JIC 90	1
41	6-6450-14	FITTING / 12 OR x 08 JIC STR.	1
42	6-7203-194	HOSE / 06 x 06 x 97 LG.	REF
43	1-1215	MOUNT / PRESSURE CHECK PORT	1
44	6-5204-10	CAPSCREW 1/4 NC x 1 1/4 LG.	2
45	6-6211-04	LOCKWASHER 1/4	2
46	6-6201-04	HEX NUT 1/4 NC	2
47	4-1823	HYDRAULIC OIL RESERVOIR	1
48	7-354-01	CAP / FILLER-BREATHER	1
49	6-5206-12	CAPSCREW 3/8 NC x 1 1/2 LG.	2
50	6-6212-06	FLATWASHER 3/8	3
51	7-256-23	FILTER / RETURN	1

ITEM	NUMBER	DESCRIPTION	REQD
1	6-7002-276	HOSE / 04 x 04 x 138 LG.	1
2	6-6482-03	FITTING / 04 JIC TEE	1
3	6-7022-44	HOSE / 04 x 04-90 x 22 LG.	2
4	6-6450-05	FITTING / 06 OR x 04 JIC STR.	1
5	6-6450-08	FITTING / 06 OR x 06 JIC STR.	1
6	6-7222-196	HOSE / 04 x 04-90 x 98 LG.	1
7	6-7013-60	HOSE / 06 x 08 x 30 LG.	1
8	7-356-02	VALVE / PARKING BRAKE	1
9	7-356-03	HANDLE KIT / PARKING BRAKE VALVE	1
10	6-5205-08	CAPSCREW 5/16 NC x 1 LG.	2
11	6-6201-05	HEX NUT 5/16 NC	2
12	6-6211-05	LOCKWASHER 5/16	2
13	2-1205	MOUNTING BRACKET / BRAKE VALVE	1
14	6-5204-16	CAPSCREW 1/4 NC x 2 LG.	2
15	6-6201-04	HEX NUT 1/4 NC	2
16	6-6211-04	LOCKWASHER 1/4	2
17	7-198-41	PRESSURE SWITCH / PARKING BRAKE	1
18	6-7002-17	HOSE / 04 x 04 x 8 1/2 LG.	1
19	6-6425-03	FITTING / 02 NPT x 04 JIC STR.	1
20	6-6450-03	FITTING / 04 OR x 04 JIC STR.	2
21	6-6455-15	FITTING / 06 OR x 04 JIC RN-TEE.	1

ITEM	NUMBER	DESCRIPTION	REQD
1	7-103-01	OIL COOLER	1
2	3-1365	MOUNT / OIL COOLER	1
3	6-6426-25	FITTING / 12 NPT x 10 JIC 45	1
4	6-7006-64	HOSE / 12 x 12 x 32 LG.	1
5	6-7025-82	HOSE / 10 x 10-90 x 41 LG.	1
6	6-9611-400	HOSE-HEATER 3/4 x 50 LG.	1
7	6-9611-72	HOSE-HEATER 3/4 x 9 LG.	1
8	6-6211-05	LOCKWASHER 5/16	4
9	6-6423-18	HOSE END / 12-08 MALE PIPE	4
10	6-6252-04	HOSE CLAMP / NO. 12	4
11	6-6450-16	FITTING / 10 OR x 10 JIC STR	1
12	6-6450-20	FITTING / 12 OR x 12 JIC STR.	1
13	6-6201-05	HEX NUT 5/16 NC	4
14	6-6212-05	FLATWASHER 5/16	4
15	6-6406-07	FITTING / NPT REDUCER 3/4 x 1/2	2
16	6-6427-18	FITTING / 12 NPT x 12 JIC 90	1
17	6-6437-04	FITTING / 08 NPT ST. ELB BLK-P	3
18	6-5205-08	CAPSCREW 5/16 NC x 1 LG.	4
19	6-8512-25	CAPSCREW 12mm x 1.75 x 25mm LG.	2
20	6-9111-12	LOCKWASHER 12mm	2

CLICK HERE TO **DOWNLOAD** THE COMPLETE MANUAL

- Thank you very much for reading the preview of the manual.
- You can download the complete manual from: www.heydownloads.com by clicking the link below

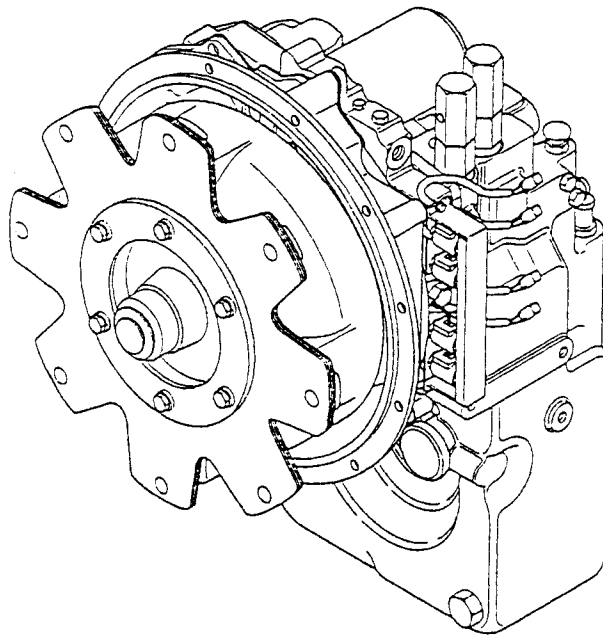


- Please note: If there is no response to CLICKING the link, please download this PDF first and then click on it.

CLICK HERE TO **DOWNLOAD** THE COMPLETE MANUAL

ITEM	NUMBER	DESCRIPTION	REQD
1	7-198-09	RING	1
2	7-198-20	BOOT	1
3	7-198-04	PISTON	1
4		SHIM / ITEMS 25-28	
5	7-198-10	SPRING	1
6		SPRING / NOT USED THIS MODEL	
7	7-198-21	O-RING	1
8	7-198-11	RETAINER RING	1
9	7-198-22	WASHER	1
10	7-198-12	PISTON	1
11	7-198-13	CUP	1
12	7-198-14	SPRING	1
13	7-198-30	HOUSING	1
14	7-198-15	O-RING	1
15	7-198-35	VALVE & BALL ASSEMBLY	1
16	7-198-27	GUIDE	1
17	7-198-17	SPRING	1
18	7-198-16	SPACER SHEEVE	1
19	7-198-28	WASHER	1
20	7-198-18	CUP	1
21	7-198-29	BACK-UP RING	1
22	7-198-19	O-RING	1
23	7-198-31	PLUG	1
24			
25	7-198-05	SHIM / AS REQD	
26	7-198-06	SHIM / AS REQD	
27	7-198-07	SHIM / AS REQD	
28	7-198-08	SHIM / AS REQD	
29			
30	7-198-40	KIT - ITEMS 1,2,7,11,14,18,20,21,22	

TRANSMISSION PARTS BOOK TH528



DATE: 7-9-99

CLARK T12000 SERIES
INTERMEDIATE DROP

TEREX HANDLERS

455 N. Superior Ave., Baraga, MI 49908-0248

PH: (906) 353-6675; FAX: (906) 353-7543

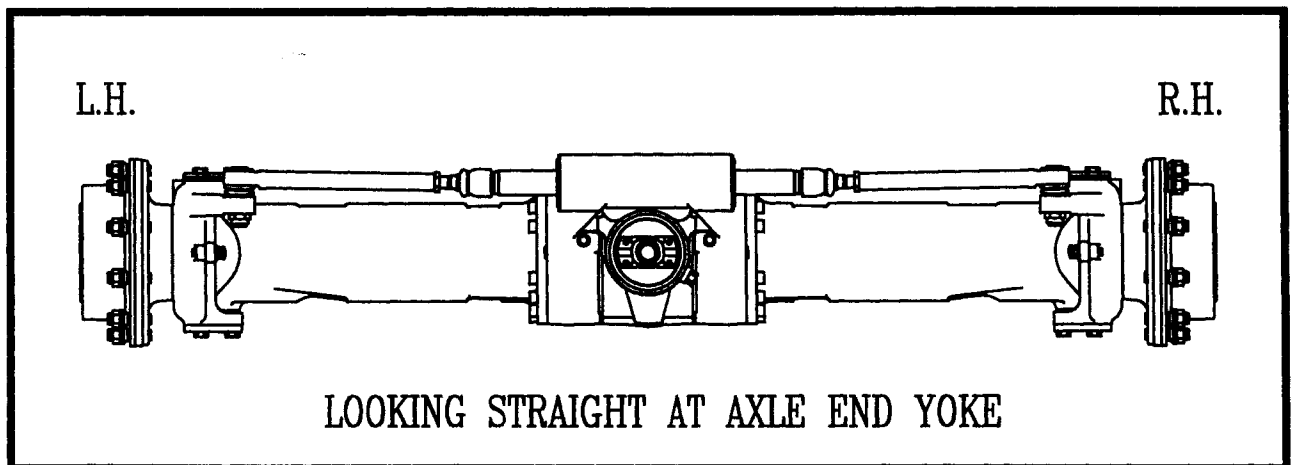
INTERNET: <http://www.sqshooter.com>

ITEM	NUMBER	DESCRIPTION	REQD
1	7-126-422	REV CL. GEAR & BRNG ASSY (INCL. ITEMS 2-3)	1
2	7-126-423	BEARING	2
3	7-126-424	SPACER	1
4	7-126-425	FWD CL. GEAR & BRNG ASSY (INCL. ITEMS 5-6)	1
5	7-126-423	BEARING	2
6	7-126-424	SPACER	1
7	7-126-428	3rd CL. GEAR & BRNG ASSY (INCL. ITEM 8)	1
8	7-126-429	BEARING	2
9	7-126-430	1st CL. GEAR & BRNG ASSY (INCL. ITEM 10)	1
10	7-126-423	BEARING	2
11	7-126-432	2nd CL. GEAR & BRNG ASSY (INCL. ITEM 12)	1
12	7-126-423	BEARING	2
13	7-126-427	3rd DRIVEN GEAR	1
14	7-126-426	OUTPUT SHAFT GEAR	1
15	7-126-431	REVERSE IDLER GEAR	1
16	7-126-433	FIRST DRIVEN GEAR	1

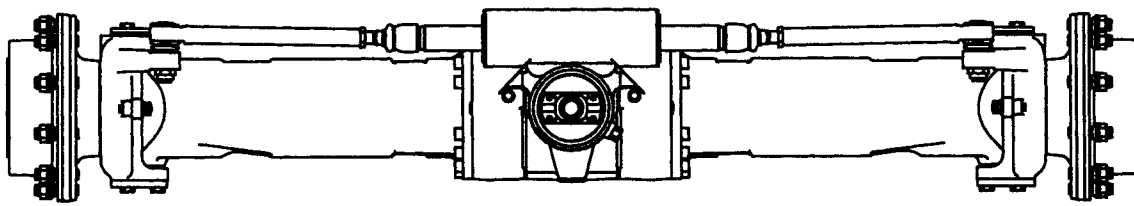
ITEM	NUMBER	DESCRIPTION	REQD
1	7-126-483	3rd SHAFT, DRUM, & PLUG ASSY	1
2	7-126-484	ROLLER BEARING	1
3	7-126-485	BEARING & SEAL ASSY	1
4	7-126-486	BEARING SUPPORT WASHER	1
5	7-126-487	OIL DISTRIBUTOR SLEEVE	1
6	7-126-488	SCREW	1
7	7-126-468	PISTON RING	2
8	7-126-489	PISTON & SEALS ASSY (INCLUDES ITEMS 9-10)	1
9	7-126-470	OUTER CLUTCH PISTON SEAL	1
10	7-126-471	INNER CLUTCH PISTON SEAL	1
11	7-126-478	OUTER DISC	5
12	7-126-479	INNER DISC	5
13	7-126-472	END PLATE	1
14	7-126-473	SNAP RING	1
15	7-126-474	CLUTCH PISTON WEAR PLATE	1
16	7-126-475	DISC SPRING ASSY (INCL. 5 WASHERS)	1
17	7-126-476	SNAP RING RETAINER	1
18	7-126-477	SNAP RING	1
19	7-126-490	NEEDLE ROLLER THRUST BEARING	2
20	7-126-491	THRUST WASHER	4
21	7-126-492	SNAP RING	3
22	7-126-429	3rd CLUTCH GEAR BEARING (SEE GEAR GROUP)	2
23		3rd CLUTCH GEAR (SEE GEAR GROUP)	1
24		FIRST DRIVE GEAR (SEE GEAR GROUP)	1

AXLE PARTS ORDERING GUIDE

WHEN ORDERING FROM THIS BOOK USE THE
FIGURE BELOW AS A REFERENCE IN DETERMINING
LEFT OR RIGHT HAND SIDE



REAR AXLE
PARTS BOOK
TH528



DATE: 8-30-99
CARRARO 26.25M SERIES
7-368-11 STEERING CYLINDER

TEREX HANDLERS
455 N. Superior Ave., Baraga, MI 49908-0248
PH: (906) 353-6675; FAX: (906) 353-7543
INTERNET: <http://www.sqshooter.com>

CLICK HERE TO **DOWNLOAD** THE COMPLETE MANUAL

- Thank you very much for reading the preview of the manual.
- You can download the complete manual from: www.heydownloads.com by clicking the link below



- Please note: If there is no response to CLICKING the link, please download this PDF first and then click on it.

CLICK HERE TO **DOWNLOAD** THE COMPLETE MANUAL