



TEREX®

745010 TC40 EN13000

**PIECES DE RECHANGE
SPARE PARTS
ERSATZTEILE**



CLICK HERE TO **DOWNLOAD** THE COMPLETE MANUAL

- Thank you very much for reading the preview of the manual.
- You can download the complete manual from: www.heydownloads.com by clicking the link below



- Please note: If there is no response to CLICKING the link, please download this PDF first and then click on it.

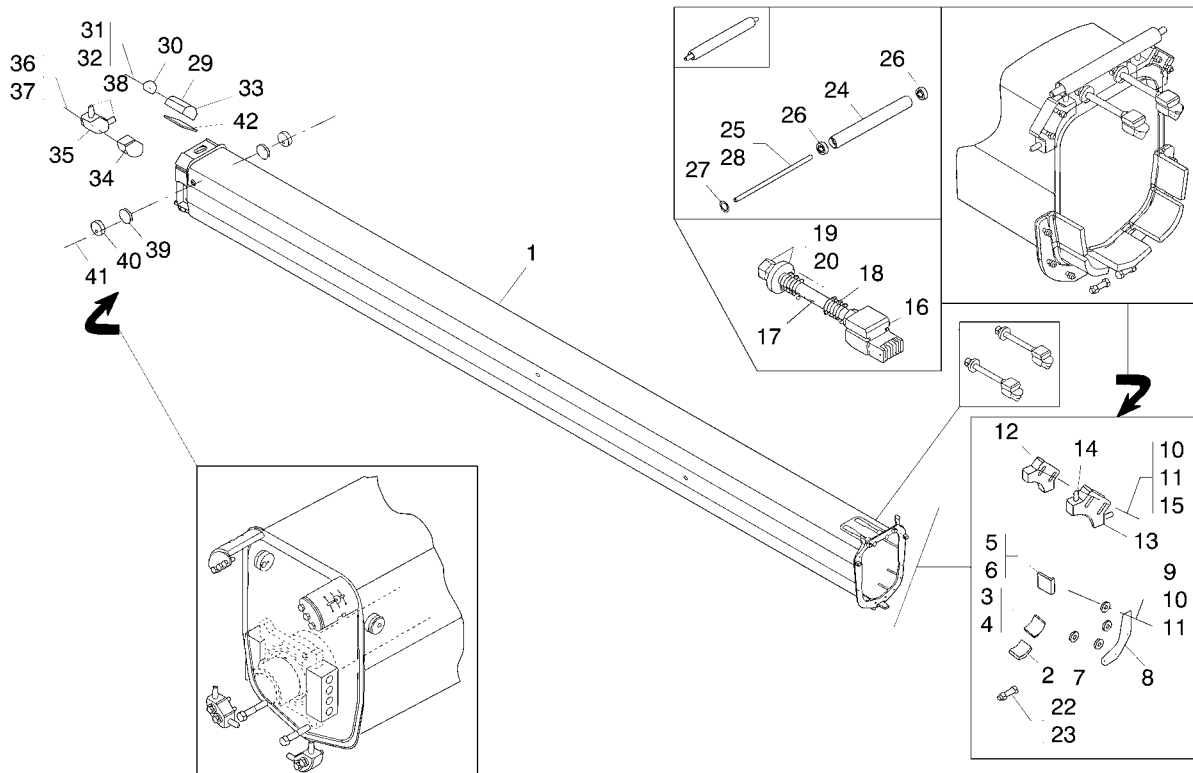
CLICK HERE TO **DOWNLOAD** THE COMPLETE MANUAL

FICHE DE COMPOSITION

SPARE PARTS MANUAL COMPONENTS

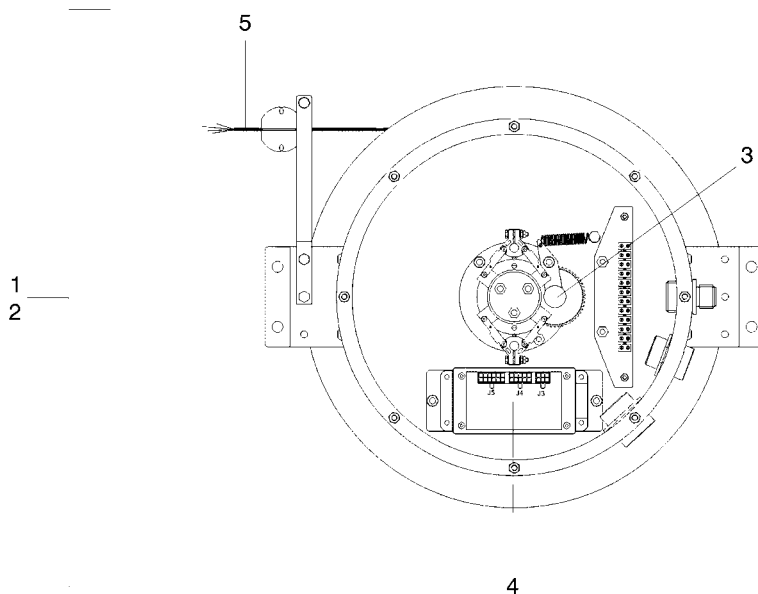
ERSATZTEILBUCH GLIEDERUNG

| | | |
|-----------------------|---|------------|
| 01F-0000-046-0 | 01F-0000-046-0 FLECHE 4EL EN13000 + MOUFLES | 15 |
| | 01F-0000-046-0 JIB + PULLEY BLOCK | |
| | 01F-0000-046-0 AUSLEGER + HUBFLASCH | |
| 10F-0000-012-2 | 10F-0000-012-2 EXTENSIONS 8M | 37 |
| | 10F-0000-012-2 EXTENSIONS 8M | |
| | 10F-0000-012-2 VERLAENGERUNG 8M | |
| 80F-0000-023-0 | 80F-0000-023-0 ADHESIFS | 45 |
| | 80F-0000-023-0 ADHESIVE | |
| | 80F-0000-023-0 AUFKLEBER | |
| 01T-0000-025-0 | 01T-0000-025-0 ENVIRONNEMENT TOURELLE EN13000 | 47 |
| | 01T-0000-025-0 UPPERSTRUCTURE EQ | |
| | 01T-0000-025-0 AUSRUESTUNG DES OBER | |
| 05T-0000-027-0 | 05T-0000-027-0 CABINE TOURELLE EN13000 EURO5 MD3 | 53 |
| | 05T-0000-027-0 CAB | |
| | 05T-0000-027-0 FAHRERHAUS | |
| 07T-0000-007-1 | 07T-0000-007-1 CHAUFFAGE TOURELLE ALTIA | 89 |
| | 07T-0000-007-1 HEATING | |
| | 07T-0000-007-1 HEIZUNG | |
| 15T-0000-018-1 | 15T-0000-018-1 TREUILS | 93 |
| | 15T-0000-018-1 WINCH | |
| | 15T-0000-018-1 TRIEBWERK | |
| 20T-0000-008-3 | 20T-0000-008-3 ORIENTATION | 104 |
| | 20T-0000-008-3 SLEWING-MECHANISM | |
| | 20T-0000-008-3 SCHWENKWERK | |
| 58T-0000-018-2 | 58T-0000-018-2 LIAIS. HYD.S/E HYD.EN13000 | 114 |
| | 58T-0000-018-2 HYD CIRCUIT | |
| | 58T-0000-018-2 HYD KREISLAUF | |



S/N : 254001-> S/N : 735001->
S/N : 740001-> S/N : 251196->

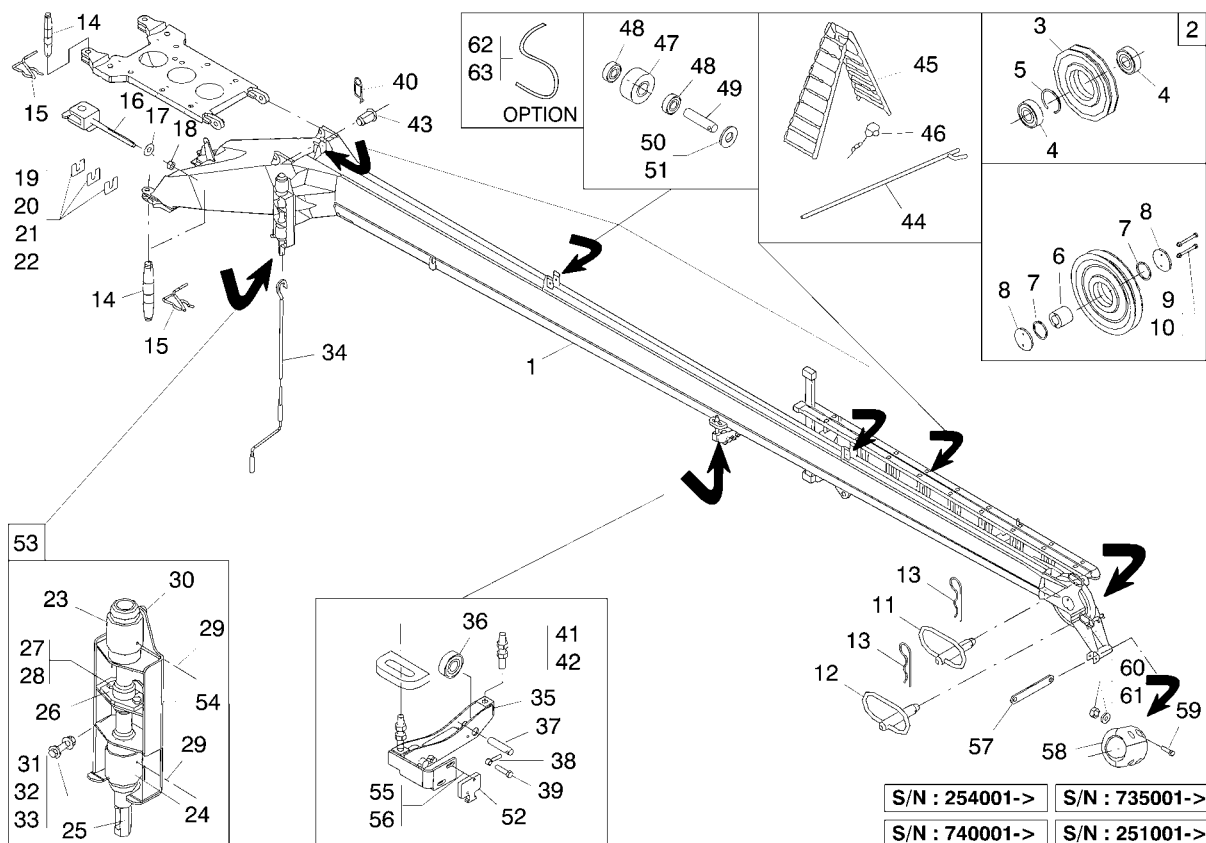
| REP | REFERENCE | QTE | PRECO | DESIGNATION | DESCRIPTION | BESCHREIBUNG |
|-----|-----------|-----|-------|--------------------------|-----------------------|---------------------------|
| | | | | ELEMENT FLECHE P2 | JIB SECTION P2 | AUSLEGERELEMENT P2 |
| 33 | N0045805 | 4 | | GRAISSEUR M10X1.50 | GREASE NIPPEL | SCHMIERNIPPEL |
| 34 | W5850829 | 2 | 2-4 | PATIN INFERIEUR ARRIERE | SKID/SHOE | SCHUH |
| 35 | N6326139 | 2 | | CAGE DE PATIN | COVER | HAUBE |
| 36 | L0033843 | 4 | | VIS HM 12X708.8 | SCREW | SCHRAUBE |
| 37 | H5045471 | 4 | | RONDELLE ACIER 13X30X6 | WASHER | SCHEIBE |
| 38 | P0232819 | 4 | | VIS STHC M16X408.8 | SCREW | SCHRAUBE |
| 39 | U5850827 | 2 | 2-4 | PATIN REGLAGE LATERAL | SKID/SHOE | SCHUH |
| 40 | Q6122154 | 2 | | CALE DE REGLAGE | SHIM | KEIL |
| 41 | J0032921 | 4 | | VIS CHC M8X20/20 CL8.8P | BOLT | SCHRAUBE |
| 42 | T6122157 | 4 | | PLAQUE DE REGLAGE | PLATE | PLATTE |




 2 types de montage.Vérifier sur votre machine.
 2 tipos de montaje.Comprobar sobre su máquina.
 2 types of fitting.Check on your machine.

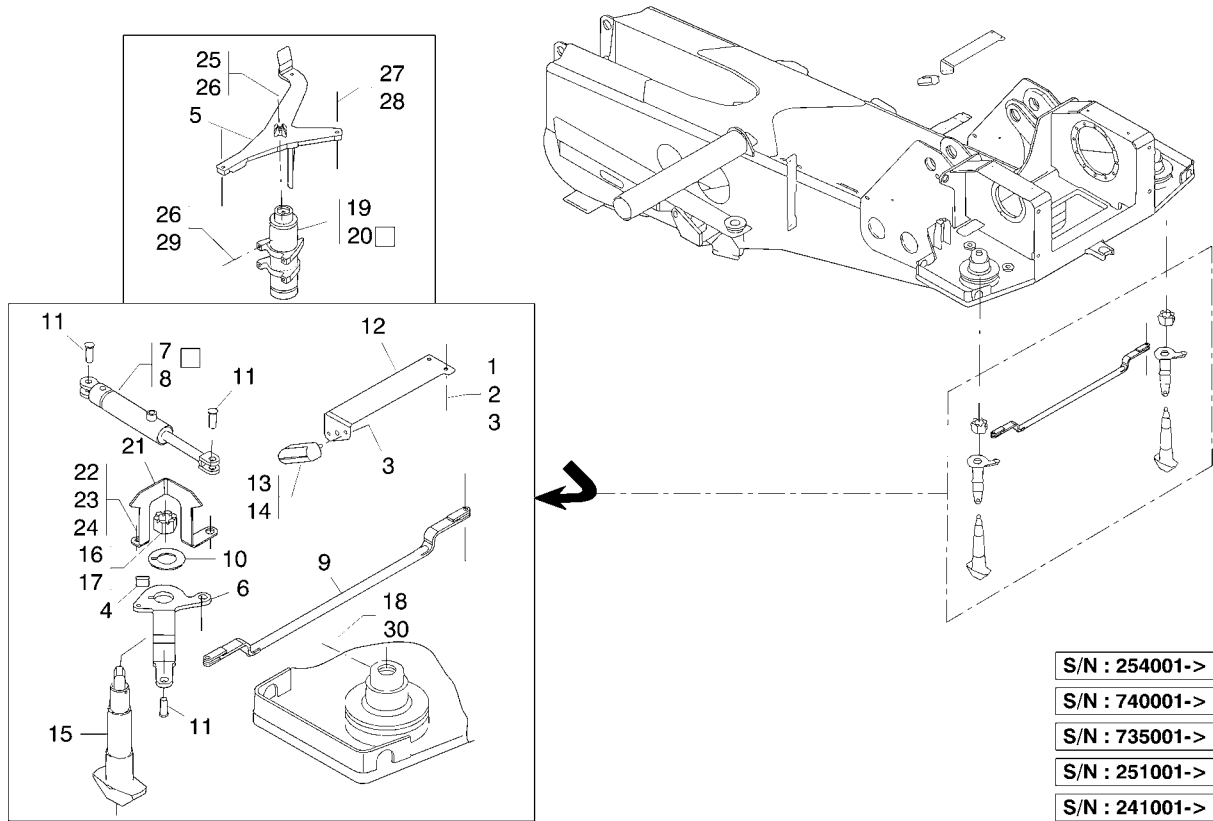
- S/N : 254001->
- S/N : 760046->
- S/N : 755020->
- S/N : 740032->
- S/N : 735017->
- S/N : 551107->
- S/N : 271187->
- S/N : 251678->

| REP | REFERENCE | QTE | PRECO | DESIGNATION | DESCRIPTION | BESCHREIBUNG |
|-----|-----------|-----|-------|--------------------------------|---------------------|---------------------|
| | | | | ENROULEUR EN13000 (3B6) | CABLE WINDER | KABELTROMMEL |
| 1 | B6042170 | 1 | 1-9 | ENROULEUR EN13000 | CABLE WINDER | KABELTROMMEL |
| 2 | E6042173 | 1 | 1-9 | ENROULEUR 7P EN13000 | CABLE WINDER | KABELTROMMEL |
| 3 | D6141187 | 1 | | POTENTIOMETRE | POTENTIOMETER | POTENTIOMETER |
| 4 | E6141188 | 1 | | CARTE + CAPTEUR D'ANGLE | CARD I/O+ ANGLE | WINKELMPFÄNGER |
| 5 | U8752277 | 1 | | CABLE 4X0,25 | WIRE HARNESS | KABELSTRANG |

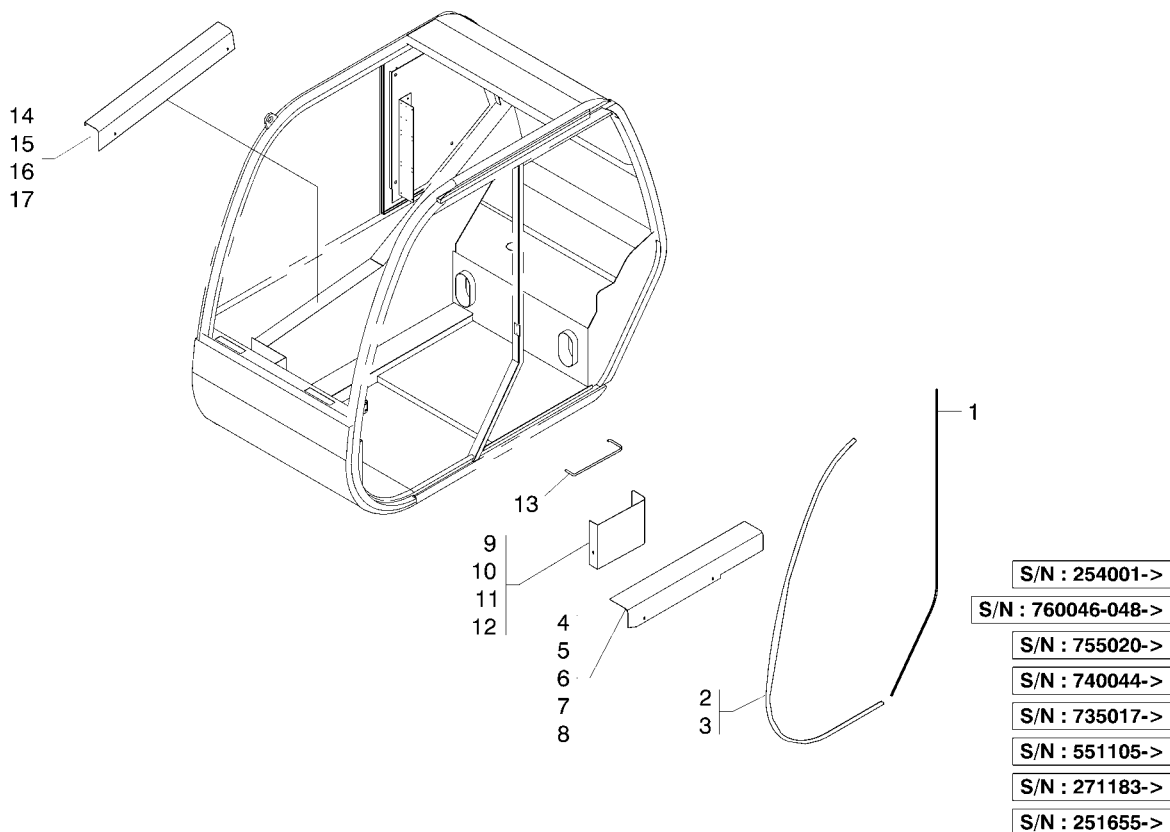


S/N : 254001-> S/N : 735001->
S/N : 740001-> S/N : 251001->

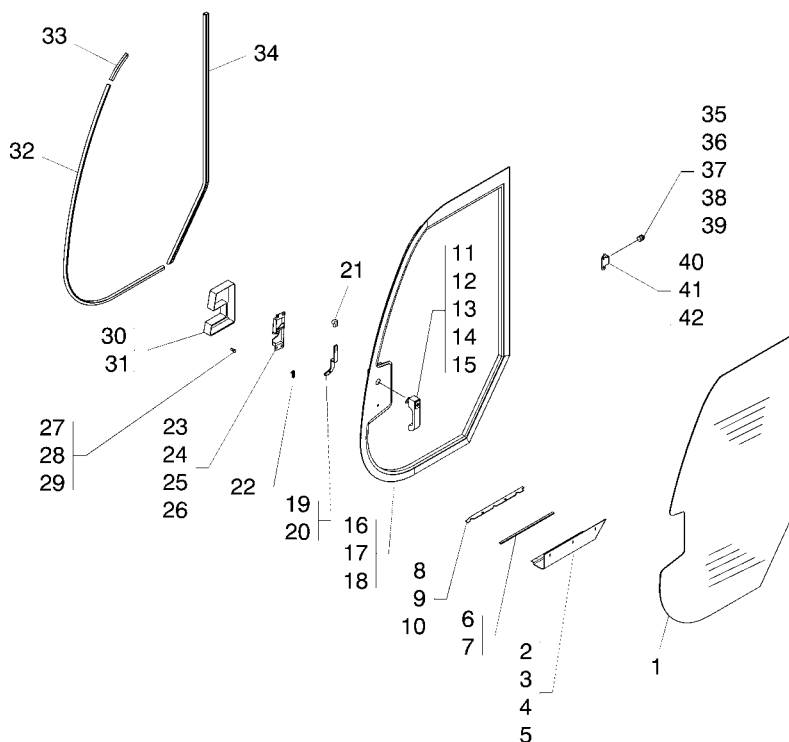
| REP | REFERENCE | QTE | PRECO | DESIGNATION | DESCRIPTION | BESCHREIBUNG |
|-----|-----------|-----|-------|-----------------------------|------------------|----------------------|
| | | | | MONTAGE EXTENSION 8M | EXTENSION | VERLAENGERUNG |
| 1 | R1613557 | 1 | | FLECHETTE 8M | EXTENSION | VERLAENGERUNG |
| 2 | J7138633 | 1 | 1-2 | POULIE D300 CABLE D16 EQ. | PULLEY | SEILROLLE |
| 3 | Z7138624 | 1 | 1-2 | POULIE PLASTIQUE D300 | PULLEY | SEILROLLE |
| 4 | L0139643 | 2 | | ROULEMENT 70BC10XEE/6014 | BEARING | WAEZLAGER |
| 5 | L0036258 | 1 | 1-4 | ANNEAU D'ARRET 110I | LOCKING RING I | SICHERHEITSRING |
| 6 | A0550275 | 1 | | AXE DE 70 | PIN | ACHSE |
| 7 | N0445430 | 2 | | ENTRETOISE 70X80X5 | SPACER | DISTANZSTUECK |
| 8 | B4030130 | 2 | | RONDELLE 100X102D11 | WASHER | SCHEIBE |
| 9 | Q0033824 | 2 | | VIS HM 10X1008.8 | SCREW | SCHRAUBE |
| 10 | E2334550 | 2 | | ECROU TW108.8 | NUT | MUTTER |
| 11 | Z2730950 | 1 | | AXE DE 20 A POIGNEE | PIN P | ACHSE |
| 12 | A2730951 | 1 | | AXE DE 20 A POIGNEE | PIN | ACHSE |
| 13 | X0036016 | 2 | | GOUPILLE DE 4 SIMPLE ENROU. | SLIT PIN | SPLINT |
| 14 | H6130910 | 4 | | AXE DE 35 L240 4D7 | PIN | ACHSE |
| 15 | P0236039 | 8 | | GOUPILLE SPECIALE D5 | SAFETY-PIN | SICHERHEITSSTIFT |
| 16 | M1513595 | 1 | | CHAPE INFERIEURE | FORK | GABEL |
| 17 | T2828810 | 1 | | RONDELLE ACIER D20 | WASHER | SCHEIBE |
| 18 | S0034171 | 1 | | ECROU H M20 CL8 | NUT | MUTTER |
| 19 | U0246325 | 2 | | CALE EP:0.5 | SHIM | KEIL |
| 20 | V0246326 | 2 | | CALE EP:1 | SHIM | KEIL |
| 21 | W0246327 | 2 | | CALE EP:2 | SHIM | KEIL |
| 22 | X0246328 | 2 | | CALE EP:5 | SHIM | KEIL |
| 23 | C8227884 | 1 | | TOURILLON M45 A GAUCHE | TRUNNION | ACHSZAPFEN |
| 24 | D8227885 | 1 | | TOURILLON M45 A DROITE | TRUNNION | ACHSZAPFEN |
| 25 | R0234086 | 1 | | VIS M 45 SPECIALE | SCREW | SCHRAUBE |
| 26 | W7724179 | 1 | | PLAQUE ARRET DE VIS | PLATE | PLATTE |
| 27 | V0033829 | 2 | | VIS HM 10X30/26 CL88 P | SCREW | SCREW |
| 28 | M0034166 | 2 | | ECROU H M10 CL8 | NUT | MUTTER |
| 29 | C0532889 | 2 | | VIS STHC M12X25 A TETON | SCREW | SCHRAUBE |
| 30 | N0045805 | 2 | | GRAISSEUR M10X1.50 | GREASE NIPPEL | SCHMIERNIPPEL |
| 31 | T0033827 | 4 | | VIS HM 10X25/25 CL 8.8 | BOLT | SEKSKINTSCHRAUBE |



| REP | REFERENCE | QTE | PRECO | DESIGNATION | DESCRIPTION | BESCHREIBUNG |
|-----|-----------|-----|-------|-------------------------------|---------------------------|--------------------------|
| | | | | MONTAGE TRINGLERIE CDE | C.W CONNECTING ROD | VERBINDUNGSSTANGE |
| | | | | C.P | | |
| 1 | F0033815 | 2 | | VIS HM 8X25/22 CL88 P | SCREW | SCHRAUBE |
| 2 | M0235002 | 2 | | RONDELLE L6N | WASHER | WASHER |
| 3 | C2334548 | 4 | | ECROU TW6 | NUT | NUT |
| 4 | H0336152 | 2 | | CLAVETTE 15X10.5 EP6 | KEY | KEIL |
| 5 | D0213788 | 1 | | TOLE SUPPORT CP (AC40/2) | SUPPORT | TRAGSTUECK |
| 6 | N7924271 | 2 | | BIELLE CDE VERROU CP | CONNECTING ROD | VERBINDUNGSSTANGE |
| 7 | G5546824 | 1 | | VERIN 35/20 C100 | CYLINDER | ZYLINDER |
| 8 | T8749631 | 1 | 1-4 | POCHETTE DE JOINTS | SET OF SEAL | SATZ DICHTUNGEN |
| 9 | T8542769 | 1 | | TRINGLE DE COMMANDE | ROD | STANGE |
| 10 | B0245595 | 2 | | RONDELLE ENTRETOISE | WASHER | SCHEIBE |
| 11 | H8427805 | 4 | | AXE D15 LU35 | PIN | ACHSE |
| 12 | M7924270 | 1 | | SUPPORT ECLAIRAGE INDICATEUR | SUPPORT | TRAGSTUECK |
| 13 | L0941768 | 1 | 1-3 | FEU ECLAIRAGE | LIGHT | LEUCHE |
| 14 | S0040565 | 1 | 1-3 | LAMPE 24V NAVETTE C11 | BULB | GLUEHBIRNE |
| 15 | W0330875 | 2 | | AXE DE VERROUILLAGE | PIN | ACHSE |
| 16 | D0234304 | 2 | | ECROU HKL M36X4 | NUT | MUTTER |
| 17 | Q0035549 | 2 | | GOUPILLE V6x80 | SAFETY PIN | SCIEHERHEITSSTIFF |
| 18 | V0445805 | 2 | | GRAISSEUR M10X100 | GREASE NIPPLE | SCHMIERNIPPEL |
| 19 | P5846843 | 1 | | VERIN 100/80 C220 | CYLINDER | ZYLINDER |
| 20 | C8749616 | 1 | 1-4 | POCHETTE DE JOINTS | SET OF SEAL | SATZ DICHTUNGEN |
| 21 | G7924265 | 1 | | INDICATEUR DE VERROUILLAGE | INDICATOR | ANZEIGER |
| 22 | Z0033809 | 1 | | VIS HM 6X20 8.8 | BOLT | SCHRAUBE |
| 23 | U0035001 | 1 | | RONDELLE M6N | WASHER | SCHEIBE |
| 24 | C2334548 | 1 | | ECROU TW6 | NUT | NUT |
| 25 | H0033863 | 1 | | VIS HM16X75 8.8 | BOLT | BOLZEN |
| 26 | R3528790 | 4 | | RONDELLE ACIER 16,5X38X11 | WASHER | SCHEIBE |
| 27 | Z6233827 | 5 | | VIS HM 24X80 8.8 | BOLT | BOLZEN |
| 28 | F0034229 | 5 | | ECROU HM M24 CL8 | NUT | MUTTER |
| 29 | M0133802 | 4 | | VIS HM 16X40 8.8 | BOLT | BOLZEN |
| 30 | D0141407 | 2 | | CACHE GRAISSEUR PLAST D6 | PLUG GREASE NIPPLE | PLUG GREASE NIPPLE |

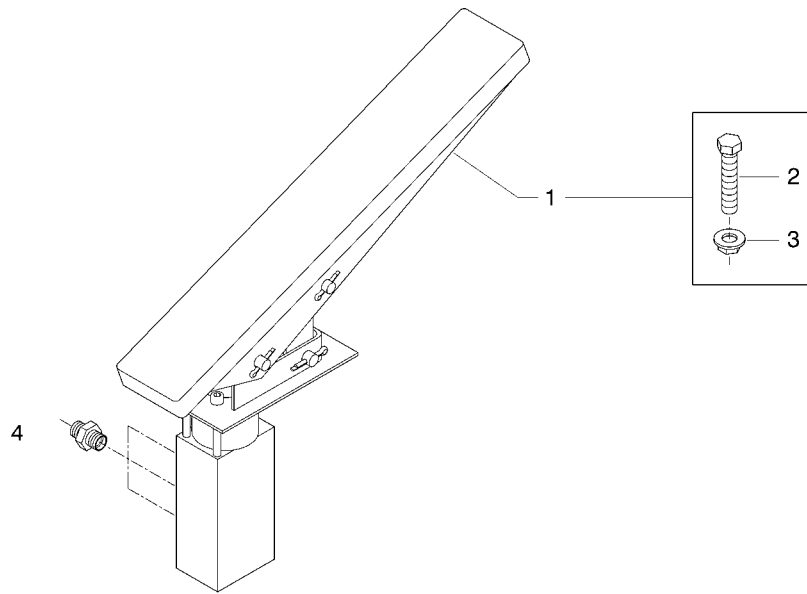


| REP | REFERENCE | QTE | PRECO | DESIGNATION | DESCRIPTION | BESCHREIBUNG |
|-----|-----------|-----|-------|---------------------------|-----------------------|----------------------|
| | | | | CABINE ACCESSOIRES | UNEQUIPPED CAB | NACKTE KABINE |
| 1 | E6451021 | 1 | | JOINT CLIP L1450 | SEAL | DICHTUNG |
| 2 | V6451082 | 1 | | JOINT ADHESIF L2200 | SEAL | DICHTUNG |
| 3 | R6451078 | 2 | | RONDIN CEL D10 L60 | SEAL | DICHTUNG |
| 4 | A6344550 | 1 | | CACHE-GAINE INFERIEUR | PLUG | STOPFEN |
| 5 | W6133039 | 2 | | VIS BHC M6x16 INOX | SCREW | SCHRAUBE |
| 6 | F0235019 | 2 | | RONDELLE L6 | WASHER | SCHEIBE |
| 7 | F6234592 | 2 | | INSERT CYLINDRIQUE M6 | INSERT | EINFUGEN |
| 8 | P6451076 | 1 | | PROFIL 311 EPDM NOIR | PROFILE | PROFILSTUECK |
| 9 | K6440331 | 1 | | VIDE-POCHE | GLOVE COMPARTMENT | KASTEN |
| 10 | W6133039 | 1 | | VIS BHC M6x16 INOX | SCREW | SCHRAUBE |
| 11 | F0235019 | 1 | | RONDELLE L6 | WASHER | SCHEIBE |
| 12 | M6234575 | 1 | | ECROU CAGE M6 | NUT | MUTTER |
| 13 | V6636968 | 1 | | JOINT CLIPS Lg 390 | SEAL | DICHTUNG |
| 14 | S6344566 | 1 | | CACHE-GAINE SUPERIEUR | PLUG | STOPFEN |
| 15 | W6133039 | 2 | | VIS BHC M6x16 INOX | SCREW | SCHRAUBE |
| 16 | F0235019 | 2 | | RONDELLE L6 | WASHER | SCHEIBE |
| 17 | P6451076 | 1 | | PROFIL 311 EPDM NOIR | PROFILE | PROFILSTUECK |



- S/N : 254001->
- S/N : 760046-048->
- S/N : 755020->
- S/N : 740044->
- S/N : 735017->
- S/N : 551105->
- S/N : 271183->
- S/N : 251655->

| REP | REFERENCE | QTE | PRECO | DESIGNATION | DESCRIPTION | BESCHREIBUNG |
|-----|-----------|-----|-------|--------------------------------|-------------------|---------------------|
| | | | | PORTE DE CABINE | CABIN DOOR | CABINEN TUER |
| 1 | J5147063 | 1 | 1-8 | GLACE DE PORTE | GLASS | SCHEIBE |
| 2 | L6744576 | 1 | | SABOT DE PORTE EQUIPE | COVER | HAUBE |
| 3 | P6252011 | 1 | | SABOT DE PORTE | COVER | HAUBE |
| 4 | T6133082 | 3 | | VIS BHC M6X16 NOIRE | SCREW | SCHRAUBE |
| 5 | L0235047 | 3 | | RONDELLE L6 NOIRE | WASHER | SCHEIBE |
| 6 | Q6252012 | 1 | | GUIDE DE GLISSIERE | GUIDE | FUEHRUNG |
| 7 | X6133040 | 3 | | VIS TFHC M5X16 INOX | SCREW | SCHRAUBE |
| 8 | M6744577 | 1 | | TOLE DE JOINT BAS DE PORTE | PLATE | PLATTE |
| 9 | W6133039 | 2 | | VIS BHC M6x16 INOX | SCREW | SCHRAUBE |
| 10 | F0235019 | 2 | | RONDELLE L6 | WASHER | SCHEIBE |
| 11 | J1052074 | 1 | | POIGNEE A CLE | HANDLE | GRIFF |
| 12 | T6133082 | 1 | | VIS BHC M6X16 NOIRE | SCREW | SCHRAUBE |
| 13 | B3033057 | 1 | | VIS H M6X16 INOX | SCREW | SCHRAUBE |
| 14 | P0234820 | 1 | | RONDELLE EVENTAIL INT.AZ6 | WASHER | SCHEIBE |
| 15 | R5145299 | 1 | | RONDELLE D40-D28EP5 CAOUTCHOUC | WASHER | SCHEIBE |
| 16 | T6344567 | 1 | | PORTE | DOOR | TUER |
| 17 | M6234575 | 7 | | ECROU CAGE M6 | NUT | MUTTER |
| 18 | W0234735 | 4 | | ECROU METAL A PINCE M8 | NUT | MUTTER |
| 19 | N6252010 | 1 | | POIGNEE INTERIEURE | HANDLE | GRIFF |
| 20 | P5145274 | 1 | | RONDELLE L10 INOX | WASHER | SCHEIBE |
| 21 | X6152038 | 1 | | MANCHON | COVER | STOPFEN |
| 22 | X7138002 | 1 | | RESSORT | SPRING | FEDER |
| 23 | C6152019 | 1 | | SERRURE | LOCK | SCHLOSS |
| 24 | N6133054 | 4 | | VIS HM 8X20 INOX | SCREW | SCHRAUBE |
| 25 | Q0234821 | 4 | | RONDELLE EVENTAIL INT.AZ8 | WASHER | SCHEIBE |
| 26 | W5145258 | 4 | | RONDELLE L8X22X1,5 INOX | WASHER | WASHER |
| 27 | X8427865 | 1 | | AXE DE LEVIER PORTE | PIN | ACHSE |
| 28 | W5145258 | 1 | | RONDELLE L8X22X1,5 INOX | WASHER | WASHER |
| 29 | N6234576 | 1 | | ECROU M8 NYLSTOP | NUT | MUTTER |
| 30 | Z6340432 | 1 | | CACHE-SERRURE | COVER | VERKLEIDUNG |
| 31 | G6133071 | 2 | | VIS BHC M6X20 INOX | SCREW | SCHRAUBE |



S/N : 740044->

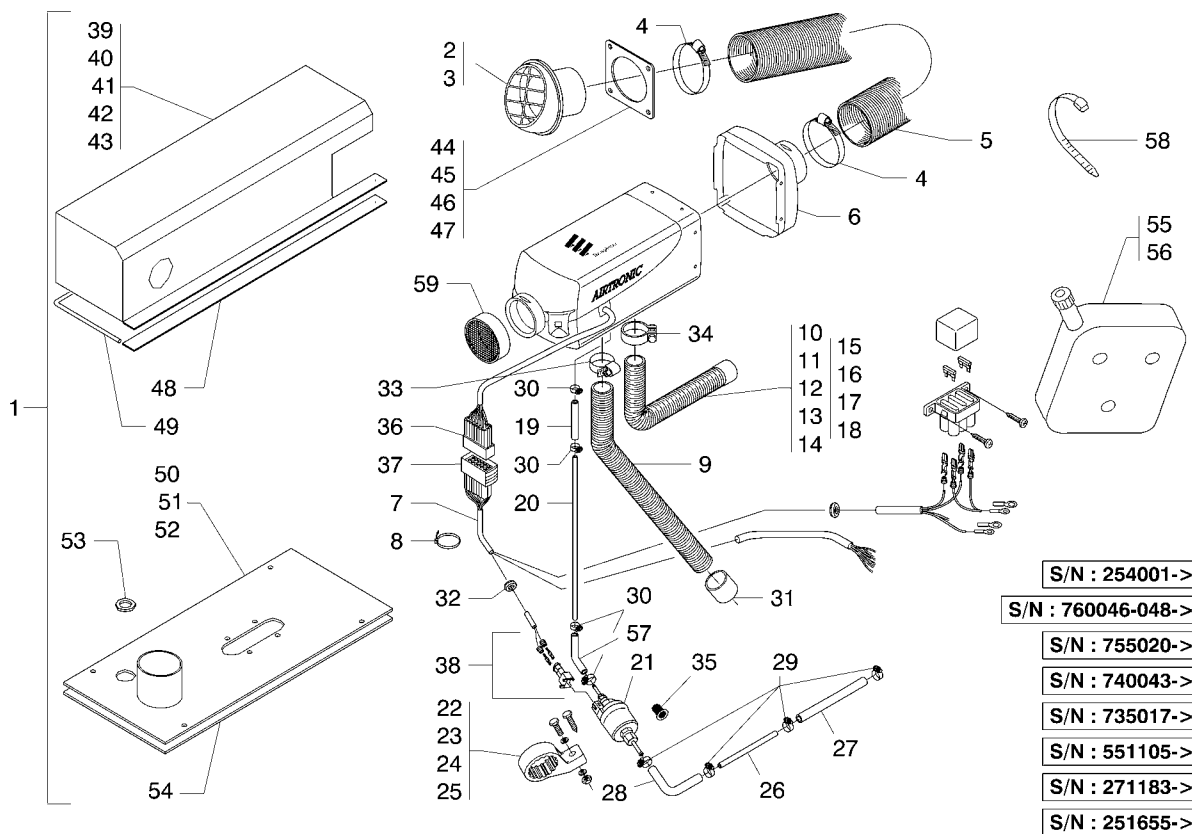
S/N : 254001->

S/N : 735017->

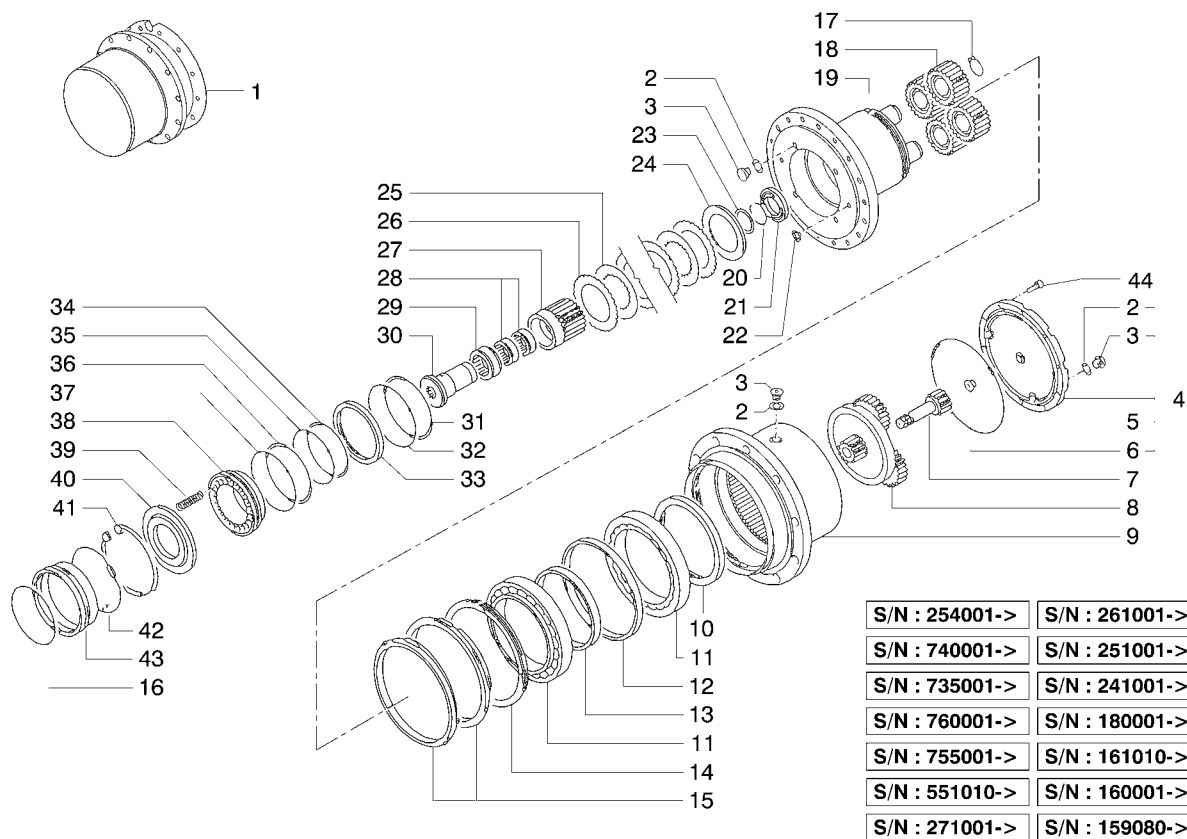
S/N : 251684->

S/N : 251655->

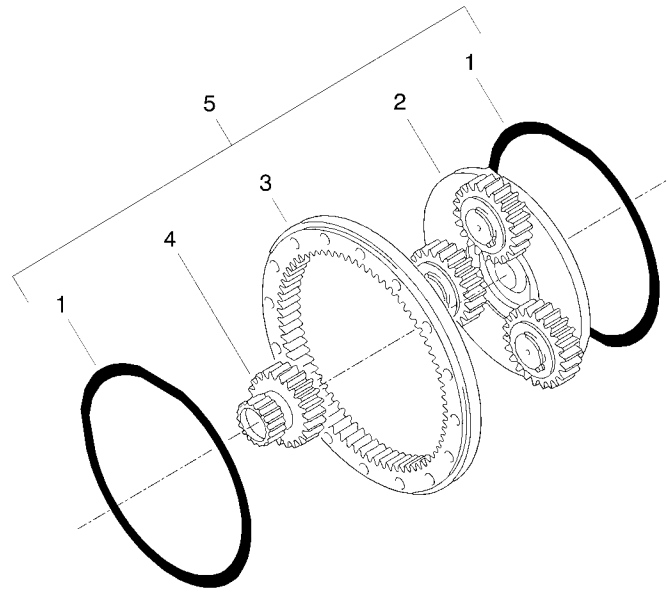
| REP | REFERENCE | QTE | PRECO | DESIGNATION | DESCRIPTION | BESCHREIBUNG |
|-----|-----------|-----|-------|--|--------------|--------------|
| | | | | PEDALE DE FREIN ORIENTATION | PEDAL | PEDAL |
| 1 | E6643692 | 1 | 1-9 | PEDALE ORIENT 6,5 OB | PEDAL | PEDAL |
| 2 | B3033057 | 4 | | VIS H M6X16 INOX | SCREW | SCHRAUBE |
| 3 | C2334548 | 4 | | ECROU TW6 | NUT | NUT |
| 4 | C3737525 | 3 | | UNION SM M14X150 JE D8L NUE | UNION | UNION |



| REP | REFERENCE | QTE | PRECO | DESIGNATION | DESCRIPTION | BESCHREIBUNG |
|-----|-----------|-----|-------|---------------------------------------|------------------------|-------------------------|
| | | | | CHAUFFAGE TOURELLE DETAILS | HEATING | HEIZUNG |
| 32 | F6941497 | 1 | | PASSE CABLES | GUIDE | DRAHTDURCHFUEHRUNG |
| 33 | B6636973 | 1 | | COLLIER 20-32 | COLLAR | SHELLE |
| 34 | C6636974 | 1 | | COLLIER | COLLAR | SHELLE |
| 35 | P6550505 | 1 | | FILTRE | FILTER | FILTER |
| 36 | L6440723 | 1 | | BOITIER DE CONNEXION | PLUG CONNECTOR | STECKERGEHAUSE |
| 37 | M6440724 | 1 | | BOITIER A ALVEOLES | TAB RECEPTACLE HOUSING | FLACHSTECKHULSENGEHAUSE |
| 38 | N6440725 | 1 | | BOITIER DE CONNEXION COMPLET | PLUG CONNECTOR | STECKERGEHAUSE |
| 39 | L6426394 | 1 | | TOLE CACHE CHAUFFAGE | COVER | HAUBE |
| 40 | G6133071 | 3 | | VIS BHC M6X20 INOX | SCREW | SCHRAUBE |
| 41 | F0235019 | 3 | | RONDELLE L6 | WASHER | SCHEIBE |
| 42 | X0234736 | 3 | | RONDELLE W6 INOX | WASHER | SCHEIBE |
| 43 | K5145247 | 3 | | RONDELLE PLASTIQUE BLANCHE | WASHER | SCHEIBE |
| 44 | K9722707 | 1 | | TOLE SUPPORT BOUCHE | PLATE | PLATTE |
| 45 | H0232537 | 4 | | VIS BHC M5X16 INOX | SCREW | SCHRAUBE |
| 46 | V0235056 | 4 | | RONDELLE LL5X20X1 INOX | WASHER | SCHEIBE |
| 47 | M6234598 | 4 | | INSERT M5 | INSERT | EINFUGEN |
| 48 | G6051053 | 1 | | JOINT MOUSSE 20X6 ADHESIF L170 | SEAL | DICHTUNG |
| 49 | P6451076 | 1 | | PROFIL 311 EPDM NOIR | PROFILE | PROFILSTUECK |
| 50 | V6522865 | 1 | | PLAQUE SUPPORT CHAUFFAGE | PLATE | PLATTE |
| 51 | G6133071 | 4 | | VIS BHC M6X20 INOX | SCREW | SCHRAUBE |
| 52 | C2334548 | 4 | | ECROU TW6 | NUT | NUT |
| 53 | G6437499 | 1 | | OBTURATEUR A MEMBRANE | PLUG | STOPFEN |
| 54 | L6251019 | 1 | | JOINT MOUSSE 10X3 ADHESIF L1200 | SEAL | DICHTUNG |
| 55 | D8113253 | 1 | | RESERVOIR D1LC BLEU | TANK | BEHALTER |
| 56 | C8113252 | 1 | | KIT MONTAGE RESERVOIR D1LC | KIT | KIT |
| 57 | Z6342295 | 1 | | TUYAU NOIR L70 | PIPE | ROHR |
| 58 | Z0436815 | 10 | | SERRE-CABLE | BULLDOG GRIP | SEILKLEMME |
| 59 | Z4043261 | 1 | | EMBOUT DE CHAUFFAGE | ANSATZSTUECK | END FITTING |

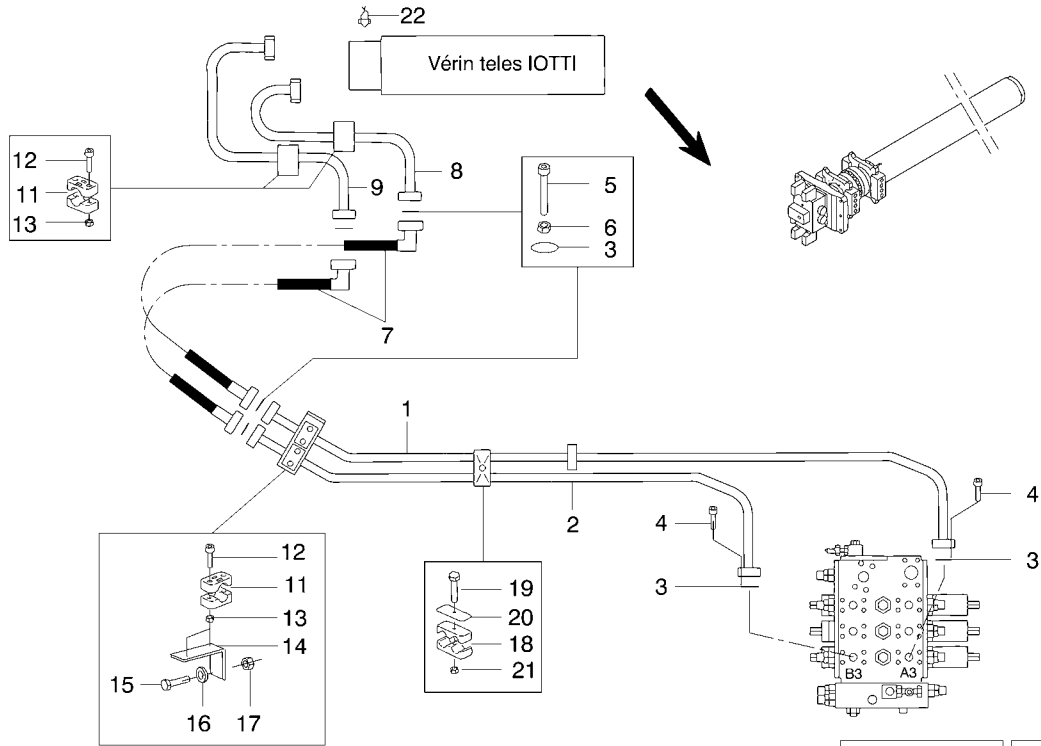


| REP | REFERENCE | QTE | PRECO | DESIGNATION | DESCRIPTION | BESCHREIBUNG |
|-----|-----------|-----|-------|-----------------------------------|----------------|---------------------|
| | | | | REDUCTEUR TREUIL R35.5 EQ. | REDUCER | UNTERSETZUNG |
| 1 | S7538956 | 1 | | REDUCTEUR DE TREUIL R35.5 | REDUCER | UNTERSETZUNG |
| 2 | J0045226 | 6 | | JOINT-CU 18.3X24X1 | SEAL WASHER | DICHTUNGSSCHEIBE |
| 3 | W3437485 | 6 | | BOUCHON JAUGE | PLUG | STOPFEN |
| 4 | U8138913 | 1 | | KIT COUVERCLE REDUCTEUR | KIT | KIT |
| 5 | C1630403 | 1 | | JOINT-TORE 3.53X148.82-80 | O-RING-SEALICA | O-RING-DICHTUNG |
| 6 | V8138914 | 1 | | DISQUE DE FRICTION | DISC | SCHEIBE |
| 7 | W8138915 | 1 | | ENGRENAGE CENTRAL | SHAFT | WELLE |
| 8 | X8138916 | 1 | | ENSEMBLE 1ER TRAIN ENGRENAGE | ASSEMBLY | BAUGRUPPE |
| 9 | Z8138917 | 1 | | CARTER | HOUSING | GEHAEUSE |
| 10 | H6129185 | 1 | | BAGUE ECROU M180X1.5 | BUSHING | BUCHSE |
| 11 | T6039909 | 2 | | ROULEMENT JP18049/18010 | BEARING | WAEHLZAGER |
| 12 | B8138919 | 1 | | ENTRETOISE | SPACER | DISTANZSTUECK |
| 13 | C8138920 | 1 | | ENTRETOISE | SPACER | DISTANZSTUECK |
| 14 | K6434558 | 1 | | ECROU M254x1,5 | NUT | MUTTER |
| 15 | H5451053 | 1 | | JOINT DI 231.6 LIFETIME | SEAL | DICHTUNG |
| 16 | W0030426 | 1 | | JOINT-TORE 2.62X139.37-80 | O-RING-SEAL | O-RING-DICHTUNG |
| 17 | M0036328 | 4 | | ANNEAU-D'ARRET 50E | LOCKING RING | SICHERHEITSRING |
| 18 | A8138918 | 4 | | PLANETAIRE + ACCES.1/5.87 | PINION | RITZEL |
| 19 | E8138922 | 1 | | PIGNON MOYEU | PINION | RITZEL |
| 20 | W0036337 | 1 | | ANNEAU-D'ARRET 50E | LOCKING RING | SICHERHEITSRING |
| 21 | A0539603 | 1 | | ROULEMENT | BEARING | WAEHLZAGER |
| 22 | Z6437423 | 1 | | BOUCHON D12 | PLUG | STOPFEN |
| 23 | F8138923 | 1 | | RONDELLE BUTEE | WASHER | SCHEIBE |
| 24 | G8138924 | 1 | | RONDELLE ENTRETOISE | WASHER | SCHEIBE |
| 25 | H2043166 | 7 | | DISQUE ACIER | DISC | SCHEIBE |
| 26 | X8143125 | 8 | | DISQUE ACIER | DISC | SCHEIBE |
| 27 | T7139309 | 1 | | ARBRE FREIN | SHAFT | WELLE |
| 28 | C0339942 | 2 | | CAGE A AIGUILLES 50X55X20 | HOUSING | GEHAEUSE |
| 29 | U6039910 | 1 | | ROUE LIBRE BWX1310147 | WHEEL | RAD |
| 30 | U7139310 | 1 | | MANCHON D'ACCOUPLEMENT | SLEEVE | MUFFE |
| 31 | J5451054 | 1 | | BAGUE ANTI EX 3X149.68 | BUSHING | BUCHSE |



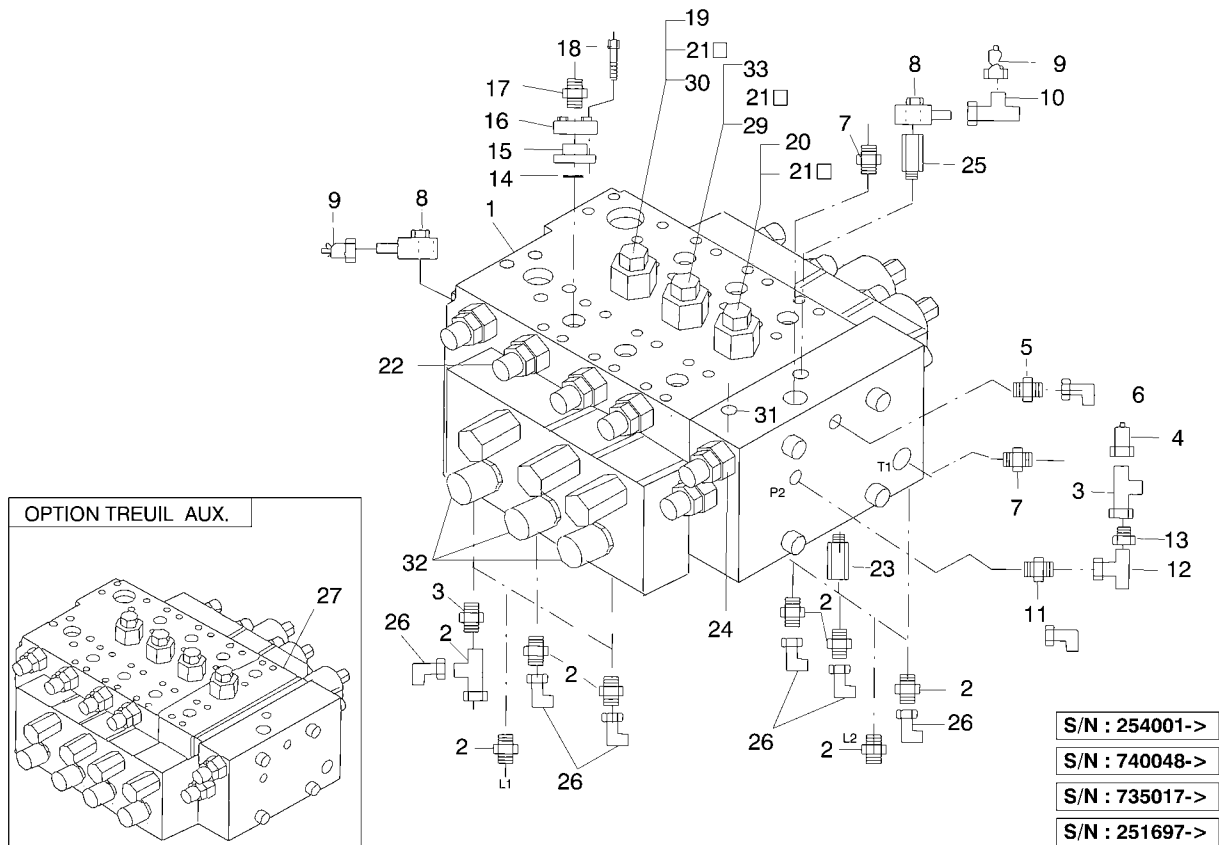
S/N : 254001->
 S/N : 253001->
 S/N : 740001->
 S/N : 735001->
 S/N : 251001->
 S/N : 241001->

| REP | REFERENCE | QTE | PRECO | DESIGNATION | DESCRIPTION | BESCHREIBUNG |
|-----|-----------|-----|-------|--------------------------------|-------------------|-----------------------|
| | | | | REDUCTEUR D'ORIENT R=54 | RESTRICTOR | REDUZIERSTUECK |
| 1 | X6330472 | 2 | | JOINT TORIQUE | O-RING SEAL | O-RING DICHTUNG |
| 2 | T7539302 | 1 | | ENSEMBLE REDUCTEUR | REDUCT. ASSEMBLY | UNTERSETZUNGSSRUFE |
| 3 | U7539303 | 1 | | ANNEAU DENTE | TOOTH RING | ZAHNKRANZ |
| 4 | V7539304 | 1 | | ENGRENAGE CENTRAL | SUN GEAR | SONNENRAD |
| 5 | C8638963 | 1 | | ETAGE REDUCTION | REDUCTION STAGE | UNTERSETZUNGSSRUFE |

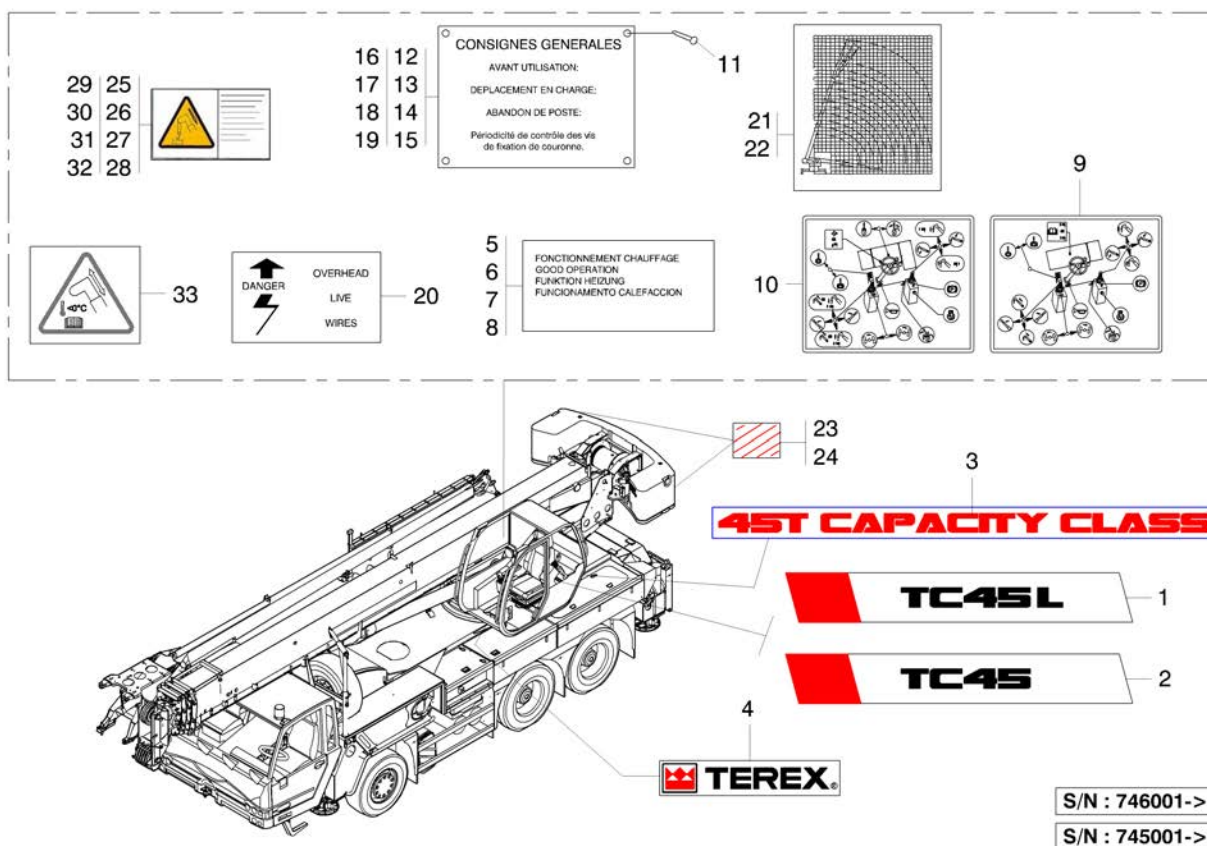


S/N : 551064-> S/N : 740010->
 S/N : 254001-> S/N : 755001-> S/N : 271100->
 S/N : 760020-> S/N : 551029-> S/N : 251383->

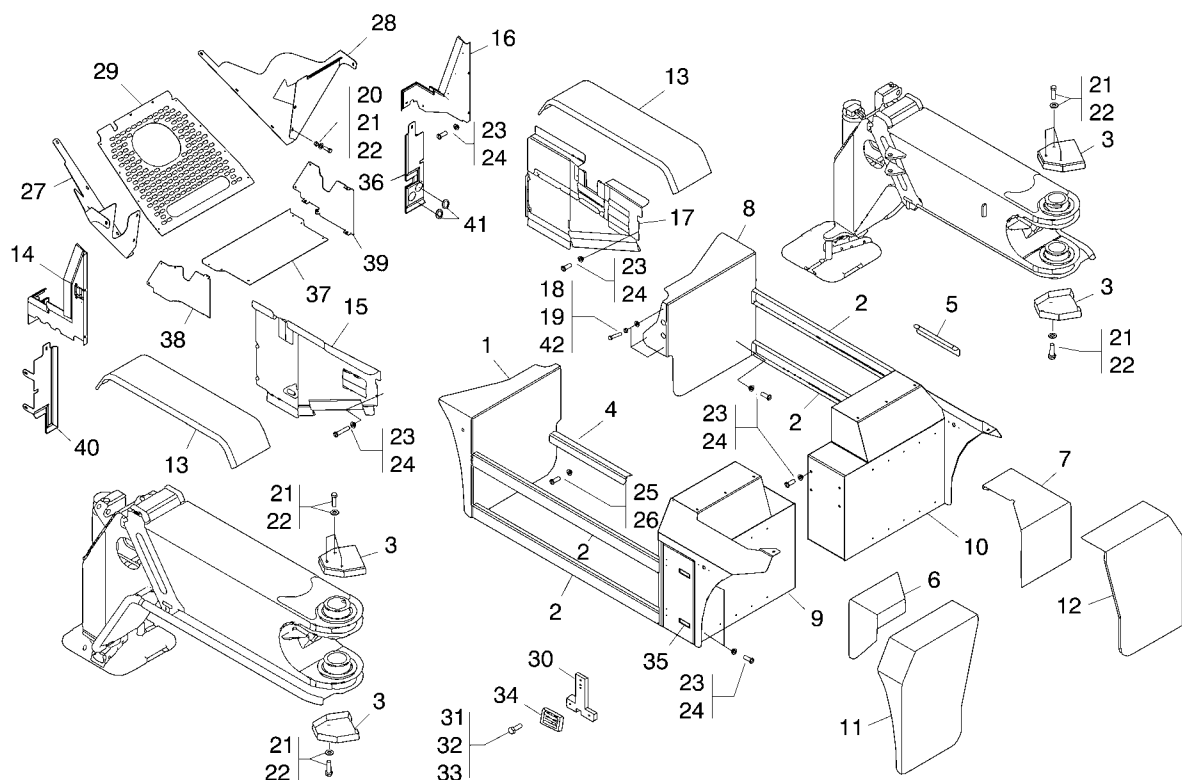
| REP | REFERENCE | QTE | PRECO | DESIGNATION | DESCRIPTION | BESCHREIBUNG |
|-----|-----------|-----|-------|--|----------------------------|-------------------------|
| | | | | LIAISON TELES IOTTI AC35L/TC40L-5EL | PIPING PILOT HYDRAU | LECKOELRUECKLAUF |
| 1 | K5647889 | 1 | | TUYAU D25S-B3/4" 6000 2 COUDES | PIPE | ROHR |
| 2 | T9349149 | 1 | | TUYAU D25S FC 6 COUDES | PIPE | ROHR |
| 3 | L1130483 | 6 | | JOINT- TORE 3.53 X 24.99 -80 | O RING SEAL | O RING SEAL |
| 4 | J6232985 | 8 | | VIS CHC M10X35 10.9 DACROMET | SCREW | SCREW |
| 5 | F6232982 | 16 | | VIS CHC M10X5510.9 DACROMET | SCREW | SCHRAUBE |
| 6 | T0234157 | 16 | | ECROU HM10 CL10 DACROMET | SCREW | SCHRAUBE |
| 7 | C7531927 | 2 | | FLEXIBLE 3/4 6000PSI DC L1050 | HOSE | SCHLAUCH |
| 8 | K9449145 | 1 | | TUYAU D25S 5C 2X2/4" | PIPE | ROHR |
| 9 | M9449147 | 1 | | TUYAU D25S 4C 2X3/4" | PIPE | ROHR |
| 11 | M4720301 | 8 | | BRIDE 1D25 | FLANGE | BUGEL |
| 12 | F0032918 | 4 | | VIS CHC M6X45 8.8 | SCREW | SCREW |
| 13 | C2334548 | 4 | | ECROU TW6 | NUT | NUT |
| 14 | C6225987 | 1 | | PATTE SUPPORT BRIDES TUYAUX | PLATE | PLATTE |
| 15 | W0232619 | 1 | | VIS HM 10X30 INOX | SCREW | SCHRAUBE |
| 16 | P0445362 | 1 | | RONDELLE 11X22X22 | WASHER | SCHEIBE |
| 17 | E2334550 | 1 | | ECROU TW108.8 | NUT | MUTTER |
| 18 | A4120381 | 2 | | BRIDE 2D25 | FLANGE | BUGEL |
| 19 | C0133862 | 1 | | VIS HM 8X70 8.8 | SCREW | SCHRAUBE |
| 20 | U0327055 | 1 | | PLAQUE SUP BRIDE 2D20-D25 | PLATE | PLATTE |
| 21 | D2334549 | 1 | | ECROU H M8 TWOLOK CL8 | NUT | NUT |
| 22 | M3044498 | 1 | | PRISE DE PRESSION 13G M16x150 | PRESSURE MAKE UP | DRUCKANSCHLUSS |



| REP | REFERENCE | QTE | PRECO | DESIGNATION | DESCRIPTION | BESCHREIBUNG |
|-----|-----------|-----|-------|---------------------------------|---------------------------|-----------------------------|
| | | | | DISTRIBUTEUR 3M7-22 EQ. | FIXING + ACCESSORY | BEFESTIGUNG + ZUBEHO |
| 1 | M6643699 | 1 | 1-9 | DISTRIBUTEUR 3M722-LUDV | SELECTOR BLOCK | VERTEILER |
| 2 | C3737525 | 8 | | UNION SM M14X150 JE D8L NUE | UNION | UNION |
| 3 | X1137256 | 2 | | TE ORIENT. RENVERSE D8L | T PIECE | T STUECK |
| 4 | S3244442 | 1 | | PRISE DE PRESSION ORIENT. D8L | UNION | ANSCHLUSS |
| 5 | E3237530 | 1 | | UNION SM M14X15JE D8DIN S NU | UNION | ANSCHLUSS |
| 6 | N1737018 | 1 | | EQUERRE ORIENT. D8S | ANGLE PIECE | WINKEL STUECK |
| 7 | M4937559 | 2 | | UNION SM 21G D12L JE | UNION | ANSCHLUSS |
| 8 | V4937590 | 2 | | RACCORD BANJO 14X150 D8S JS | UNION | ANSCHLUSS |
| 9 | N3244438 | 2 | | PRISE DE PRESSION ORIENT D8S | UNION | ANSCHLUSS |
| 10 | Z1137257 | 1 | | TE ORIENT RENV. D8S | T PIECE | T STUECK |
| 11 | A4937571 | 1 | | UNION SM 14X1.5 D12L | UNION | UNION |
| 12 | Z1137234 | 1 | | TE ORIENTABLE D12L NU | T-PIECE | T-STUECK |
| 13 | C7437512 | 1 | | RACCORD MF RED D12L-D8L | CONNECTION | CONNECTION |
| 14 | L1130483 | 1 | | JOINT- TORE 3.53 X 24.99 -80 | O RING SEAL | O RING SEAL |
| 15 | F4737729 | 1 | | BRIDE RAC.M12 6000PSI | BRACKET | HALTEBUEGEL |
| 16 | L3437406 | 1 | | OBTURATEUR 3/46000 -TAR.M18X1,5 | PLUG | VERSCHLUSS |
| 17 | S1737505 | 1 | | UNION SM M18X150 D15L | UNION | UNION |
| 18 | J6232985 | 4 | | VIS CHC M10X35 10.9 DACROMET | SCREW | SCREW |
| 19 | B6943356 | 1 | 1-8 | BALANCE RELEVAGE | SELECTOR BLOC | VERTEILER |
| 20 | C6943357 | 1 | 1-8 | BALANCE TELESCOPAGE | SELECTOR BLOC | VERTEILER |
| 21 | J8349698 | 3 | 1-4 | POCHETTE DE JOINTS | SET SEALS | PACKUNG |
| 22 | K6643352 | 1 | | CLAPET LIMITEUR SECONDAIRE | VALVE | KLAPPE |
| 23 | A6543362 | 1 | | CLAPET FREINEUR M14X1.5 D1 | VALVE | KLAPPE |
| 24 | E6643324 | 1 | 1-8 | REGULATEUR | REGULATOR | REGLER |
| 25 | H6543346 | 1 | | VALVE NAVETTE LS D0.6-1.2 | VALVE | KLAPPE |
| 26 | S1837026 | 6 | | EQUERRE ORIENT D8L | T PIECE | T STUECK |
| 27 | V6643684 | 1 | | ELEMENT DIST.M7 LEVAGE 2 | VALVE BANK | STEUERELEMENT |
| 29 | X6743391 | 1 | | TIROIR LEVAGE | SELECTOR BLOC | VERTEILER |
| 30 | A6743370 | 1 | | TIROIR RELEVAGE | SELECTOR BLOC | VERTEILER |
| 31 | D6150525 | 1 | 1-4 | FILTRE+GICLEUR | FILTER+NOZZLE | FILTER+SPRITZDUESE |
| 32 | K6643674 | 6 | 3-3 | VALVE COUPURE DISTRIBUTEUR | ELECTRO VALVE | VERTEILER |

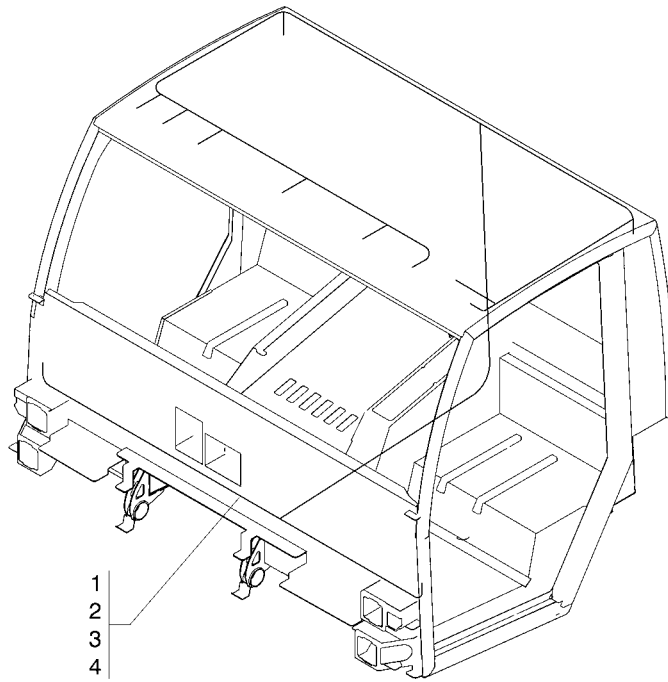


| REP | REFERENCE | QTE | PRECO | DESIGNATION | DESCRIPTION | BESCHREIBUNG |
|-----|-----------|-----|-------|---|-----------------|------------------|
| | | | | ADHESIFS TOURELLE TC45-TC45L | ADHESIVE | AUFKLEBER |
| 29 | D6444028 | 1 | | ADHESIF CONSIGNE TELES. CZE | ADHESIVE | AUFKLEBER |
| 30 | X6444023 | 1 | | ADHESIF CONSIGNE TELES. GB | ADHESIVE | AUFKLEBER |
| 31 | W6444022 | 1 | | ADHESIF CONSIGNE TELES. F | ADHESIVE | AUFKLEBER |
| 32 | R6444063 | 1 | | ADHESIF CONSIGNE TELES. USA | ADHESIVE | AUFKLEBER |
| 33 | Z7544068 | 1 | | ADHESIF CONSIGNE TELES.GRAND FROID | ADHESIVE | AUFKLEBER |



S/N : 746001-> S/N : 745001->

| REP | REFERENCE | QTE | PRECO | DESIGNATION | DESCRIPTION | BESCHREIBUNG |
|-----|-----------|-----|-------|------------------------------------|----------------|--------------------|
| | | | | CAPOTS - MARCHES EURO5 | COWLING | VERKLEIDUNG |
| 1 | F7044514 | 1 | | AILE DE ROUE GAUCHE ESSIEU 1 | WING | FLUEGEL |
| 2 | E6944578 | 4 | | MARCHE ANTI INTRUSION | FOOTBOARD | FUSSBRETT |
| 3 | M6944585 | 4 | | CAPOT AXE ARTICULATION | COVER | HAUBE |
| 4 | U7347943 | 1 | | MARCHE TOLE PLIEE | FOOTBOARD | FUSSBRETT |
| 5 | V7347944 | 1 | | MARCHE TOLE PLIEE | FOOTBOARD | FUSSBRETT |
| 6 | U7044504 | 1 | | CAPOT POUTRE ARRIERE GAUCHE | COVER | HAUBE |
| 7 | V7044505 | 1 | | CAPOT POUTRE ARRIERE DROITE | COVER | HAUBE |
| 8 | G7044515 | 1 | | AILE DE ROUE DROITE ESSIEU 1 | WING | FLUEGEL |
| 9 | Z7044577 | 1 | | AILE DE ROUE AV.GAUCHE TANDEM | WING | FLUEGEL |
| 10 | A7044578 | 1 | | AILE DE ROUE AV. DROITE TANDEM | WING | FLUEGEL |
| 11 | J7044563 | 1 | | AILE DE ROUE AR. GAUCHE TANDEM | WING | FLUEGEL |
| 12 | A7044555 | 1 | | AILE DE ROUE AR. DROITE TANDEM | WING | FLUEGEL |
| 13 | E7044513 | 2 | | AILE DE ROUE AVANT | WING | FLUEGEL |
| 14 | W7344518 | 1 | | TOLE ETANCH AIR MOT GAUCHE EURO5 | PLATE | PLATTE |
| 15 | B7044510 | 1 | | CAPOT MOTEUR ARRIERE GAUCHE | COVER | HAUBE |
| 16 | X7344519 | 1 | | TOLE ETANCH AIR MOT DROITE H EURO5 | PLATE | HAUBE |
| 17 | D7044512 | 1 | | CAPOT MOTEUR ARRIERE DROIT | COVER | HAUBE |
| 18 | U0033851 | 14 | | VIS HM 14X35 8.8 | BOLT | SEKSKINTSCHRAUBE |
| 19 | M2934512 | 14 | | ECROU SECURITE M14 CL8 | NUT | MUTTER |
| 20 | M2733009 | 22 | | VIS H M10X25X25 | SCREW | SCHRAUBE |
| 21 | P0445362 | 22 | | RONDELLE 11X22X22 | WASHER | SCHEIBE |
| 22 | E2334550 | 10 | | ECROU TW108.8 | NUT | MUTTER |
| 23 | B0232554 | 40 | | VIS BHC M8X25 INOX ISO 7380 | SCREW | SCHRAUBE |
| 24 | D2334549 | 52 | | ECROU H M8 TWLOK CL8 | NUT | NUT |
| 25 | Z0232552 | 7 | | VIS BHC M6X20 INOX ISO 7380 | SCREW | SCHRAUBE |
| 26 | C2334548 | 7 | | ECROU TW6 | NUT | NUT |
| 27 | S7344514 | 1 | | TOLE HABILLAGE AVANT GAUCHE EURO5 | PLATE | PLATTE |
| 28 | R7344513 | 1 | | TOLE HABILLAGE AVANT DROITE EURO5 | PLATE | PLATTE |



S/N : 251673->

S/N : 760046-048->

S/N : 755020->

S/N : 740043->

S/N : 551109->

S/N : 735017->

S/N : 271191->

S/N : 551105->

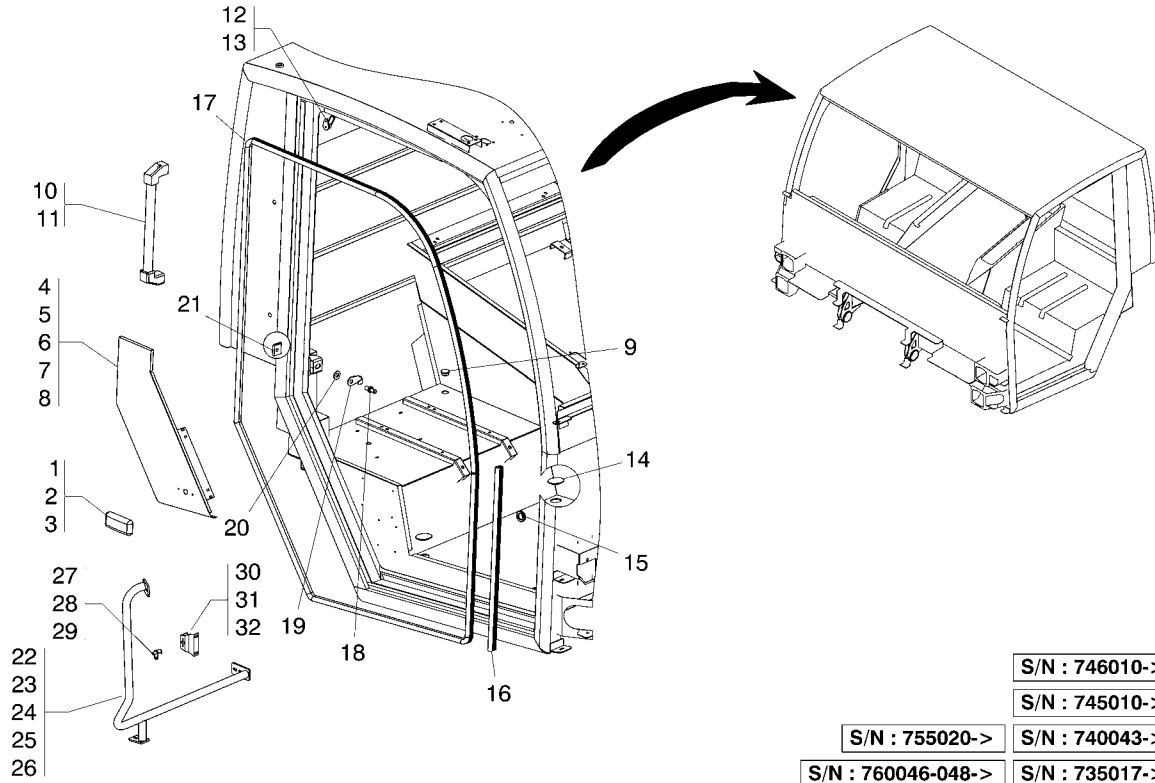
S/N : 254001->

S/N : 271183->

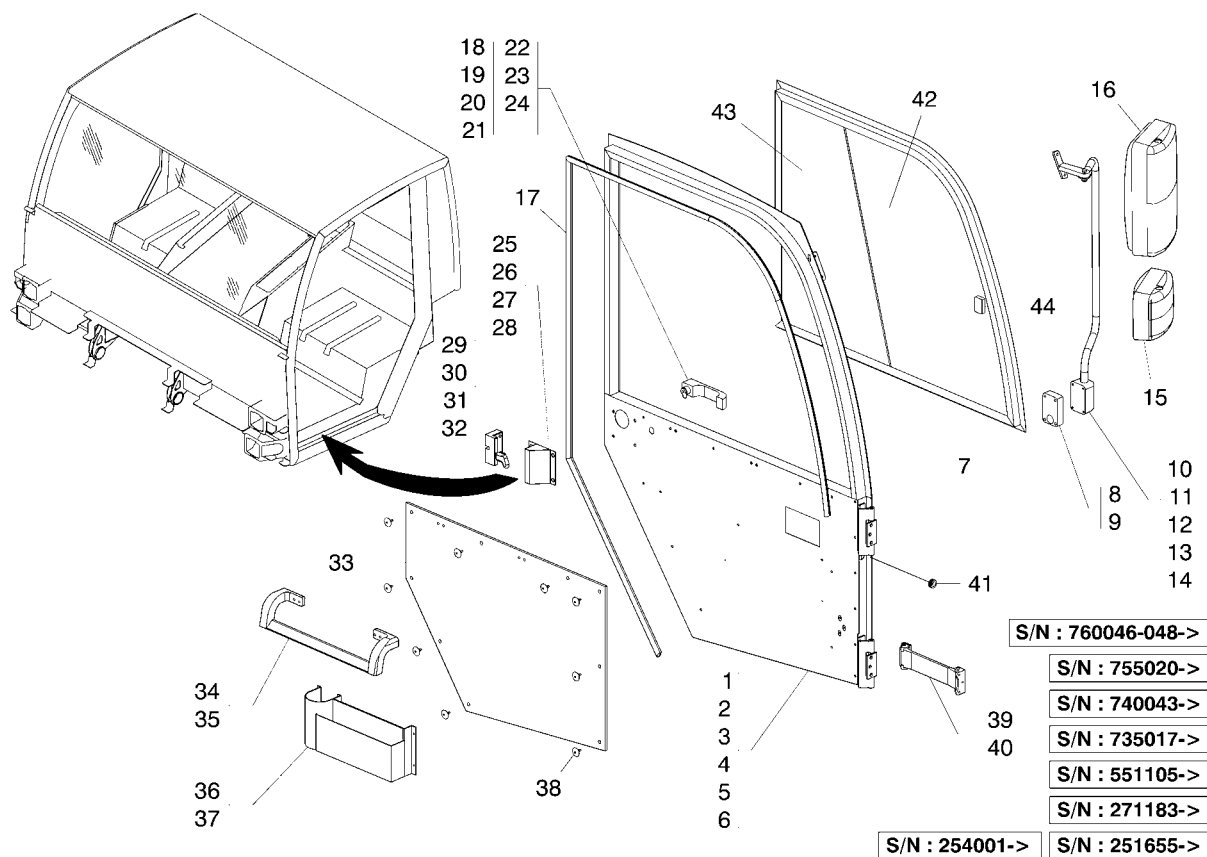
S/N : 253001->

S/N : 251655->

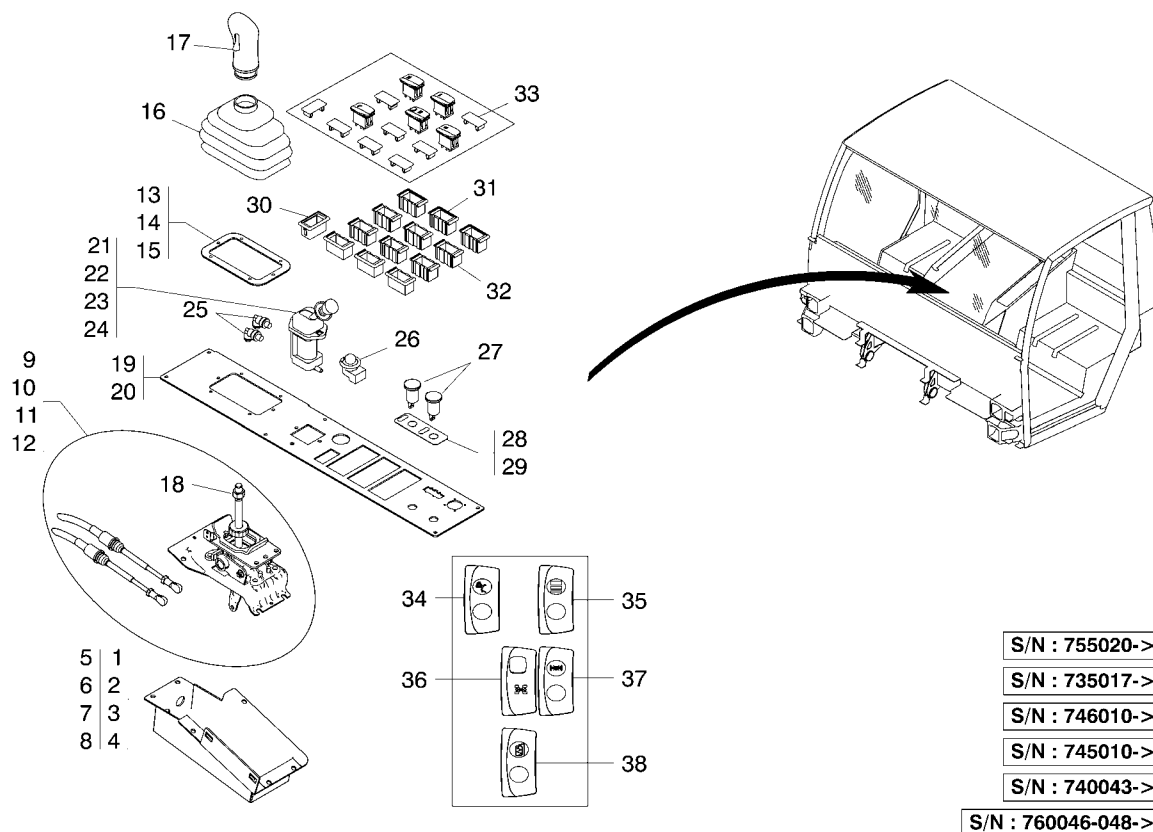
| REP | REFERENCE | QTE | PRECO | DESIGNATION | DESCRIPTION | BESCHREIBUNG |
|-----|-----------|-----|-------|-------------------------|--------------------------|-------------------------|
| | | | | FAISCEAU TOIT | ROOF WIRE HARNESS | KABELSTRANG DACH |
| 1 | W8552294 | 1 | | FAISCEAU DE TOIT | ROOF WIRE HARNESS | KABELSTRANG DACH |
| 2 | G6436947 | 5 | | EMBASE COLLIER ADHESIVE | ADHESIVE SUPPORT | TRAGSTUECK AUFKLEBER |
| 3 | Z0436815 | 5 | | SERRE-CABLE | BULLDOG GRIP | SEILKLEMME |
| 4 | B9151586 | 12 | | CLIP AUTOCOLLANT | CLIP | CLIP |



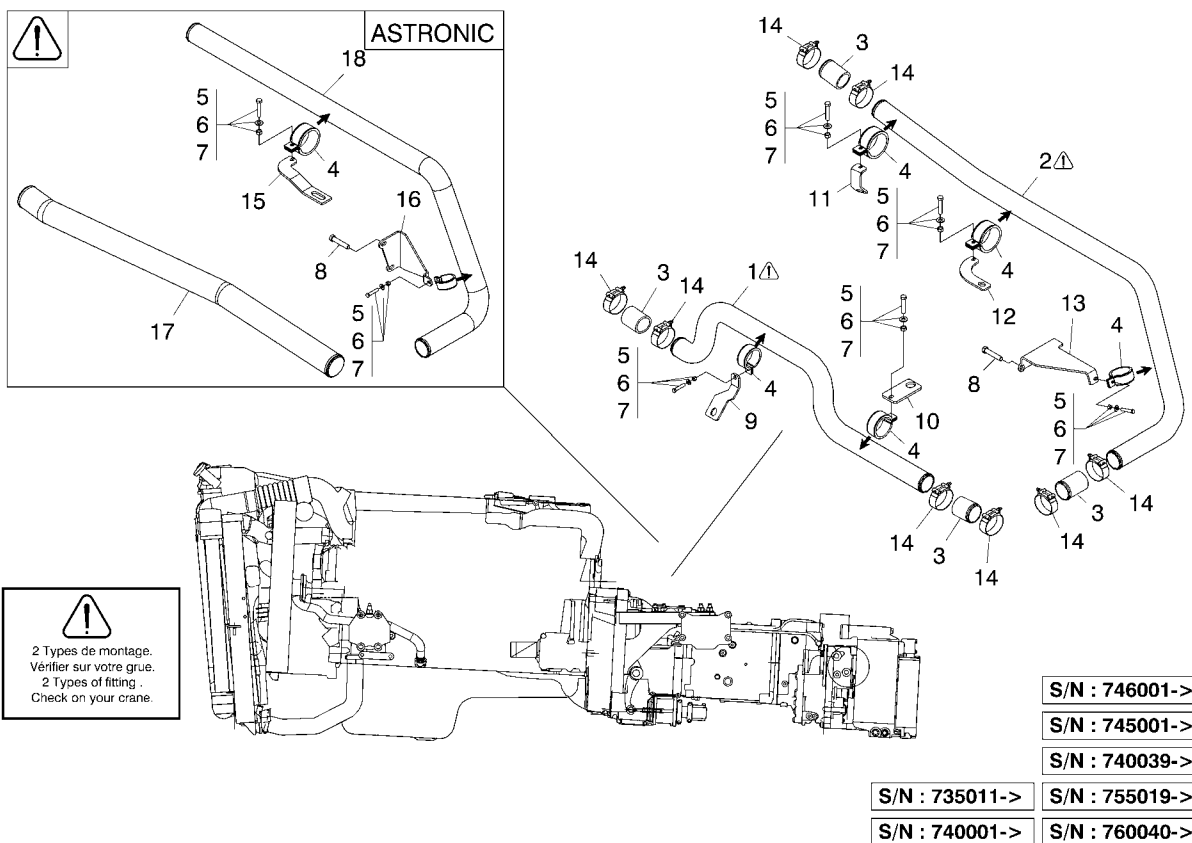
| REP | REFERENCE | QTE | PRECO | DESIGNATION | DESCRIPTION | BESCHREIBUNG |
|-----|-----------|-----|-------|-----------------------------------|-------------------|-------------------------|
| | | | | COTE LATERAL DROIT | RIGHT SIDE | SEITE RECHTS |
| 1 | S6141775 | 1 | 1-3 | FEU DE POSITION AVEC CATA | LIGHT | LEUCHTE |
| 2 | K0032531 | 2 | | VIS TCB M4X20 | SCREW | SCHRAUBE |
| 3 | W2334566 | 2 | | ECROU H M4 TWOLOCK | NUT | MUTTER |
| 4 | W0223580 | 1 | | TOLE HABILLAGE ARRIERE DROIT | COWLING RIGHT | VERKLEIDUNG RECHTS |
| 5 | G6133071 | 3 | | VIS BHC M6X20 INOX | SCREW | SCHRAUBE |
| 6 | F0235019 | 3 | | RONDELLE L6 | WASHER | SCHEIBE |
| 7 | G6436947 | 1 | | EMBASE COLLIER ADHESIVE | ADHESIVE SUPPORT | TRAGSTUECK AUFKLEBER |
| 8 | Z0436815 | 1 | | SERRE-CABLE | BULLDOG GRIP | SEILKLEMME |
| 9 | F6537479 | 1 | | BOUCHON BLANC | COVER PLATE | DECKEL |
| 10 | E7347929 | 1 | | POIGNEE MONTOIR | HANDLE | GRIFF |
| 11 | H6332942 | 2 | | VIS CHC M10X30 INOX | SCREW | SCHRAUBE |
| 12 | S4043209 | 1 | | PORTE-MANTEAU | COAT HOOK | KLEIDERHAKEN |
| 13 | C6133067 | 2 | | VIS 3,9X16 AUTOTARAUEUSE | SCREW | SCHRAUBE |
| 14 | E6537432 | 2 | | BOUCHON | COVER PLATE | DECKEL |
| 15 | Z6437492 | 1 | | OBTURATEUR A MEMBRANE | BLANK-OFF PLUG | VERSCHLUSS |
| 16 | R6251047 | 1 | | JOINT CLIPS ARMATURE METAL LG 650 | SEAL | DICHTUNG |
| 17 | Q6451077 | 1 | | PROFIL PVC ARME LG 4700 | SEAL | DICHTUNG |
| 18 | J6252052 | 1 | | GACHE DE SERRURE | CATCH | SCHLIESSPLATTE |
| 19 | B6252022 | 1 | | GACHE DE PROTECTION | CATCH | SCHLIESSPLATTE |
| 20 | X0035004 | 1 | | RONDELLE M12N | WASHER | SCHEIBE |
| 21 | D6334548 | 1 | | ECROU SPECIAL | NUT | MUTTER |
| 22 | X6950161 | 1 | | REPOSE-PIEDS DROIT | FOOT-REST RIGHT | FUSSBEENKCHEN-RECHTS |
| 23 | C2733069 | 3 | | VIS H M6X25 INOX | SCREW | SCHRAUBE |
| 24 | F0235019 | 3 | | RONDELLE L6 | WASHER | SCHEIBE |
| 25 | P0234820 | 3 | | RONDELLE EVENTAIL INT.AZ6 | WASHER | SCHEIBE |
| 26 | D2440487 | 1 | | CAPUCHON NOIR HM6 | PLUG | STOPFEN |
| 27 | T6141155 | 1 | 1-3 | CONTACTEUR DE PORTE | SWITCH | KONTAKTGEBER |
| 28 | S0232546 | 1 | | VIS BHC M4X10 INOX ISO 7380 | SCREW | SCHRAUBE |
| 29 | W2334566 | 1 | | ECROU H M4 TWOLOCK | NUT | MUTTER |
| 30 | P6626336 | 1 | | SUPPORT CONTACTEUR DE PORTE | SUPPORT SWITCH | TRAGSTUECK KONTAKTGEBER |
| 31 | W6133039 | 2 | | VIS BHC M6x16 INOX | SCREW | SCHRAUBE |



| REP | REFERENCE | QTE | PRECO | DESIGNATION | DESCRIPTION | BESCHREIBUNG |
|-----|-----------|-----|-------|---------------------------------------|------------------|-------------------|
| | | | | PORTE GAUCHE - RETROVISEUR | LEFT DOOR | LINKS TUER |
| 1 | E6744593 | 1 | | PORTE GAUCHE | DOORSEIDLE | TUER |
| 2 | W6236608 | 1 | | CALE REGL.CHARNIERE PORTE | SHIM | KEIL |
| 3 | Q6434540 | 2 | | INSERT M6 | NUT | MUTTER |
| 4 | U0132958 | 6 | | VIS CHC M8X20 INOX | SCREW | SCHRAUBE |
| 5 | Q0234821 | 2 | | RONDELLE EVENTAIL INT.AZ8 | WASHER | SCHEIBE |
| 6 | B0235015 | 2 | | RONDELLE M8 INOX | WASHER | SCHEIBE |
| 7 | H5147062 | 1 | 1-8 | GLACE | GLASS | SCHEIBE |
| 8 | Z7343209 | 1 | | ENTRETOISE RETROVISEUR | SPACER | DISTANZSTUECK |
| 9 | B1733879 | 4 | | VIS H M6X40 INOX | SCREW | SCHRAUBE |
| 10 | A7343210 | 1 | | SUPPORT RETROVISEUR | SUPPORT | TRAGSTUECK |
| 11 | Q8752250 | 1 | | FAISCEAU 2 POLES RETRO | WIRE HARNESS | KABELSTRANG |
| 12 | G6133071 | 2 | | VIS BHC M6X20 INOX | SCREW | SCHRAUBE |
| 13 | C2334548 | 2 | | ECROU TW6 | NUT | NUT |
| 14 | D2440487 | 2 | | CAPUCHON NOIR HM6 | PLUG | STOPFEN |
| 15 | J7543226 | 1 | 1-8 | RETROVISEUR GRAND ANGLE | MIRROR | RUECKSPIEGEL |
| 16 | H7543225 | 1 | 1-8 | RETROVISEUR PRINCIPAL | MIRROR | RUECKSPIEGEL |
| 17 | V6451082 | 1 | | JOINT ADHESIF L2200 | SEAL | DICHTUNG |
| 18 | J1052074 | 1 | | POIGNEE A CLE | HANDLE | GRIFF |
| 19 | Z6533862 | 1 | | VIS H M6X45 INOX | SCREW | SCHRAUBE |
| 20 | T6234581 | 1 | | ECROU NYLSTOP M6 INOX | NUT | MUTTER |
| 21 | B3033057 | 1 | | VIS H M6X16 INOX | SCREW | SCHRAUBE |
| 22 | P0234820 | 1 | | RONDELLE EVENTAIL INT.AZ6 | WASHER | SCHEIBE |
| 23 | F0235019 | 1 | | RONDELLE L6 | WASHER | SCHEIBE |
| 24 | R5145299 | 1 | | RONDELLE D40-D28EP5 CAOUTCHOU | WASHER | SCHEIBE |
| 25 | E6252048 | 1 | | CACHE SERRURE GAUCHE | COVER | VERKLEIDUNG |
| 26 | B3033057 | 4 | | VIS H M6X16 INOX | SCREW | SCHRAUBE |
| 27 | X0234736 | 4 | | RONDELLE W6 INOX | WASHER | SCHEIBE |
| 28 | F0235019 | 4 | | RONDELLE L6 | WASHER | SCHEIBE |
| 29 | D6252047 | 1 | | SERRURE GAUCHE | LOCK | SCHLOSS |
| 30 | X0232413 | 2 | | VIS FHC M8x40 | SCREW | SCHRAUBE |
| 31 | D2440487 | 2 | | CAPUCHON NOIR HM6 | PLUG | STOPFEN |



| REP | REFERENCE | QTE | PRECO | DESIGNATION | DESCRIPTION | BESCHREIBUNG |
|-----|-----------|-----|-------|--|-----------------|--------------------|
| | | | | ENS. PLAQUE LATERALE B.V MANUELLE | PLATE | PLATTE |
| 1 | L8642789 | 1 | | SUPPORT LEVIER DE VITESSE | SUPPORT | TRAGSTUECK |
| 2 | F6233005 | 2 | | VIS TBHC M8X20 NOIRE | SCREW | SCREW |
| 3 | K6133051 | 1 | | VIS TBHC M8X25 | SCREW | SCHRAUBE |
| 4 | N6133054 | 2 | | VIS HM 8X20 INOX | SCREW | SCHRAUBE |
| 5 | A0234715 | 3 | | RONDELLE W8 | WASHER | WASHER |
| 6 | W5145258 | 3 | | RONDELLE L8X22X1,5 INOX | WASHER | WASHER |
| 7 | L6234574 | 2 | | ECROU CAGE M8 EP:1,8/3,2 | NUT | NUT |
| 8 | V0035002 | 16 | | RONDELLE M8N | WASHER | SCHEIBE |
| 9 | S8742707 | 1 | | LEVIER DE VITESSE+ CABLE | CABLE | KABEL |
| 10 | N6133054 | 3 | | VIS HM 8X20 INOX | SCREW | SCHRAUBE |
| 11 | W5145258 | 6 | | RONDELLE L8X22X1,5 INOX | WASHER | WASHER |
| 12 | N6234576 | 3 | | ECROU M8 NYLSTOP | NUT | MUTTER |
| 13 | A6636926 | 1 | | BRIDE DE SOUFFLET | BELLOWS FLANGE | SCHUTZBALG FLANSCH |
| 14 | H0232537 | 6 | | VIS BHC M5X16 INOX | SCREW | SCHRAUBE |
| 15 | Z2934569 | 6 | | ECROU H M5 FR CL8 | NUT | NUT |
| 16 | C6440485 | 1 | | SOUFFLET DE LEVIER DE VITESSE | BELLOWS | SCHUTZBALG |
| 17 | N8642791 | 1 | | POMMEAU | POMMEL | KNOPF |
| 18 | E0534547 | 1 | | ECROU HM M14X150 | NUT | MUTTER |
| 19 | V6844060 | 1 | | PLAQUE PUPITRE | PLATE | PLATTE |
| 20 | U6233018 | 6 | | VIS BHC M5X16 NOIRE | SCREW | SCHRAUBE |
| 21 | Q7043327 | 1 | | COMMANDE FREIN DE SECOURS | BRAKE | BRESME |
| 22 | M4337558 | 2 | | UNION MF M14X1,5/13G | UNION | ANSCHLUSS |
| 23 | L0132950 | 2 | | VIS TCHC M6X16 INOX | SCREW | SCHRAUBE |
| 24 | M6234575 | 2 | | ECROU CAGE M6 | NUT | MUTTER |
| 25 | H1837040 | 2 | | EQUERRE ORIENT. 1/4G D8 ENCLIQ. | ANGLE PIECE | WINKELSTUECK |
| 26 | Q6841640 | 1 | | BOUTON DE COMMANDE ELECTRIQUE | CONTROL LINKAGE | STEUERGESTAENGE |
| 27 | E6140705 | 2 | | PRISE 12V-24V | CONNECTION | ANSCHLUSS |
| 28 | G7551527 | 1 | | PLAQUE PRISES 12V ET 24V | PLATE | PLATTE |
| 29 | K0235437 | 4 | | RIVET AVEUGLE TC NOIR | RIVET | NIETE |
| 30 | V6340705 | 1 | | EMBASE INTER SEUL | SOCKET | SOCKEL |
| 31 | S6140786 | 6 | | EMBASE VME | SOCKET | SOCKEL |



| REP | REFERENCE | QTE | PRECO | DESIGNATION | DESCRIPTION | BESCHREIBUNG |
|-----|-----------|-----|-------|---------------------------------------|----------------------|-------------------------|
| | | | | LIAISON CIRCUIT EAU MOTEUR | WATER CIRCUIT | WASSER KREISLAUF |
| 1 | H7050105 | 1 | | COLLECTEUR EAU ALLER MECANIQUE | COLLECTOR | KOLLECTOR |
| 2 | G7050104 | 1 | | COLLECTEUR EAU RETOUR MECANIQUE | COLLECTOR | KOLLECTOR |
| 3 | T9431972 | 4 | | MANCHON D71/60X85 | UNION | ANSCHLUSS |
| 4 | D6636952 | 4 | | COLLIER DE FIXATION D60 | COLLAR | SHELLE |
| 5 | J0133822 | 5 | | VIS H M8X40 | SCREW | SCREW |
| 6 | V0035002 | 5 | | RONDELLE M8N | WASHER | SCHEIBE |
| 7 | Q2034571 | 5 | | ECROU SECURITE TWOLOCK CL10 | NUT | MUTTER |
| 8 | F0032941 | 2 | | VIS CHC M12X258.8 | SCREW | SCHRAUBE |
| 9 | F6622809 | 1 | | SUPPORT AV. COLLECTEUR ALLER | SUPPORT | TRAGSTUECK |
| 10 | G6622810 | 1 | | SUPPORT AR. COLLECTEUR ALLER MEC. | SUPPORT | TRAGSTUECK |
| 11 | D6622807 | 1 | | SUPPORT AV. COLLECTEUR RETOUR MEC. | SUPPORT | TRAGSTUECK |
| 12 | E6622808 | 1 | | SUPPORT MI. COLLECTEUR RETOUR MEC. | SUPPORT | TRAGSTUECK |
| 13 | C6622806 | 1 | | SUPPORT AR. COLLECTEUR RETOUR MEC. | SUPPORT | TRAGSTUECK |
| 14 | V6536964 | 8 | | COLLIER SERRAGE L23 D68-D73 | COLLAR | COLLAR |
| 15 | K6622813 | 1 | | SUPPORT AV. COLLECTEUR ASTRONIC (OPT) | SUPPORT | TRAGSTUECK |
| 16 | J6622812 | 1 | | SUPPORT AR. COLLECTEUR ASTRONIC (OPT) | SUPPORT | TRAGSTUECK |
| 17 | J7050106 | 1 | | COLLECTEUR EAU ALLER ASTRONIC (OPT) | COLLECTOR | KOLLECTOR |
| 18 | P6950176 | 1 | | COLLECTEUR EAU RETOUR ASTRONIC (OPT) | COLLECTOR | KOLLECTOR |

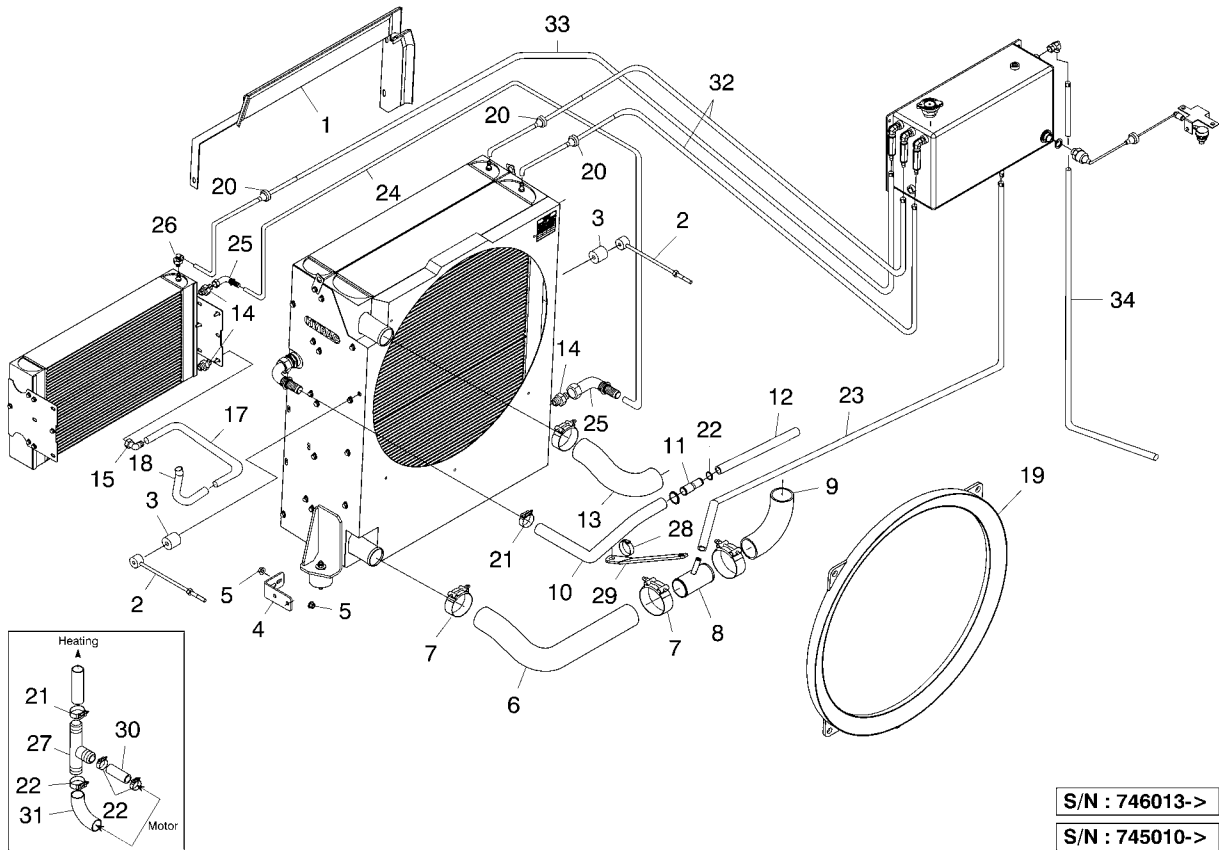
CLICK HERE TO **DOWNLOAD** THE COMPLETE MANUAL

- Thank you very much for reading the preview of the manual.
- You can download the complete manual from: www.heydownloads.com by clicking the link below



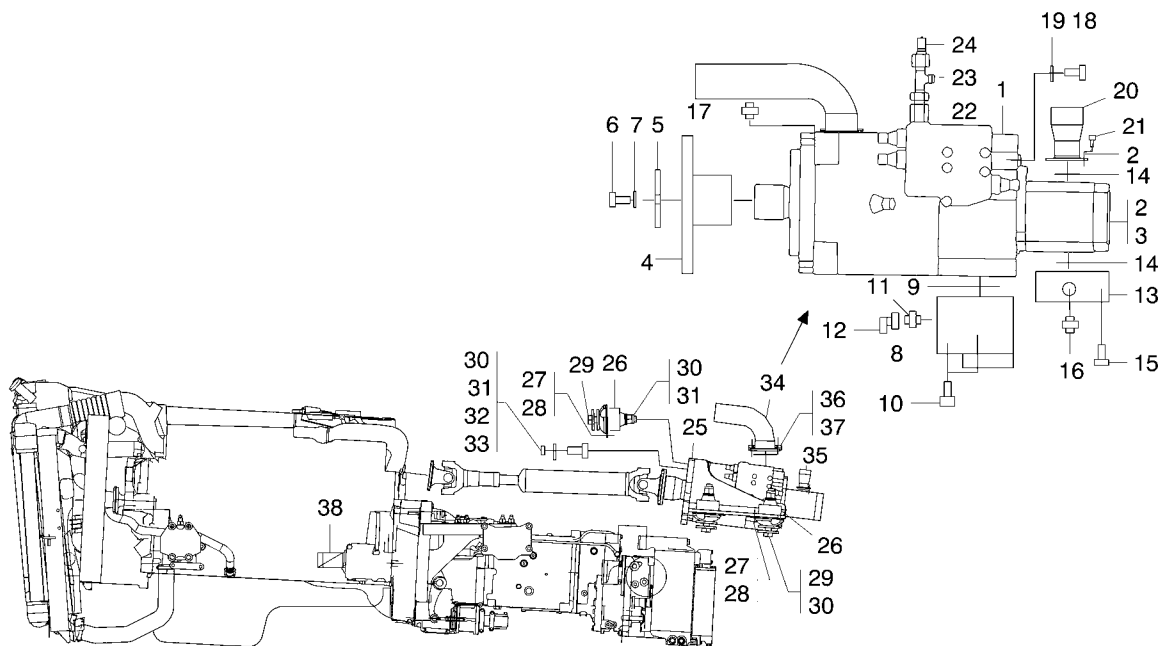
- Please note: If there is no response to CLICKING the link, please download this PDF first and then click on it.

CLICK HERE TO **DOWNLOAD** THE COMPLETE MANUAL



S/N : 746013->
S/N : 745010->

| REP | REFERENCE | QTE | PRECO | DESIGNATION | DESCRIPTION | BESCHREIBUNG |
|-----|-----------|------|-------|--------------------------------|--------------------------|----------------|
| | | | | RADIATEUR EURO 5 EQUIPE | EURO5 COOLER ASSY | KUEHLER |
| 1 | B7344545 | 1 | | TOLE ETANCHEITE MOTEUR | PLATE | TRAGSTUECK |
| 2 | T2430657 | 2 | | TIRANT M10 | TIE BAR | ZUGSTREBE |
| 3 | X6328586 | 2 | | ENTRETOISE | SPACER | DISTANZSTUECK |
| 4 | P6628475 | 2 | | SUPPORT RADIATEUR | COOLER SUPPORT | TRAGSTUECK |
| 5 | D2334549 | 8 | | ECROU H M8 TWOLOK CL8 | NUT | NUT |
| 6 | R7050136 | 1 | | DURITE SORTIE D60 | HOSE | SCHLAUCH |
| 7 | V6536964 | 6 | | COLLIER SERRAGE L23 D68-D73 | COLLAR | COLLAR |
| 8 | C6137253 | 1 | | TE RETOUR VASE EXPANSION | T PIECE | T STUECK |
| 9 | S7050137 | 1 | | DURITE COUDEE D60 | HOSE | SCHLAUCH |
| 10 | U7050139 | 1 | | DURITE ENTREE D25 | HOSE | SCHLAUCH |
| 11 | T7050138 | 1 | | COLLECTEUR D25-D22 | COLLECTOR | KOLLECTOR |
| 12 | X7050142 | 1 | | DURITE ENTREE D22 | HOSE | SCHLAUCH |
| 13 | Q7050135 | 1 | | DURITE ENTREE D60 | HOSE | SCHLAUCH |
| 14 | N7737534 | 3 | | UNION SM 1" D22L | UNION | ANSCHLUSS |
| 15 | D0337045 | 1 | | EQUERRE ORIENT. D22L | ANGLE PIECE | WINKELSTUECK |
| 17 | T5747832 | 1 | | TUYAU D22L FC 2 COUDES | PIPE | ROHR |
| 18 | R6942289 | 1 | | DURITE EAU | HOSE | SCHLAUCH |
| 19 | W7643288 | 1 | | BUSE RADIATEUR EURO5 | PLATE | TRAGSTUECK |
| 20 | A7143363 | 2 | | CLAPET ANTI RETOUR | VALVE | KLAPPE |
| 21 | Q0036998 | 4 | | COLLIER DE SERRAGE D25/40 | COLLAR | COLLAR |
| 22 | M0036903 | 8 | | COLLIER DE SERRAGE D16/D27 | COLLAR | SHELLE |
| 23 | A1403644 | 1 | | DURITE CHAUFFAGE DI16 L3000 | HOSE | SCHLAUCH |
| 24 | Z7050189 | 1 | | DURITE D22 L230 | HOSE | SCHLAUCH |
| 25 | N9547197 | 2 | | TUYAU D22L FC 1 COUDE | PIPE | ROHR |
| 26 | F6237076 | 1 | | COUDE 90d 1/4 F-M BSPP-BSPT | ANGLE PIECE | SCHLAUCH |
| 27 | B6137252 | 1 | | T RETOUR CHAUFFAGE ET FILTRE | T PIECE | T STUECK |
| 28 | M6436952 | 1 | | COLLIER RSG1 D36 | COLLAR | COLLAR |
| 29 | V6426150 | 1 | | SUPPORT DURITE SORTIE EAU | SUPPORT | TRAGSTUECK |
| 30 | X7643289 | 1 | | DURITE D15 | HOSE | SCHLAUCH |
| 31 | Z7643290 | 1 | | DURITE COUDE D18 | HOSE | SCHLAUCH |
| 32 | M0403684 | 2x3m | | DURITE DI8 | HOSE | SCHLAUCH |



S/N : 745001->

S/N : 746001->

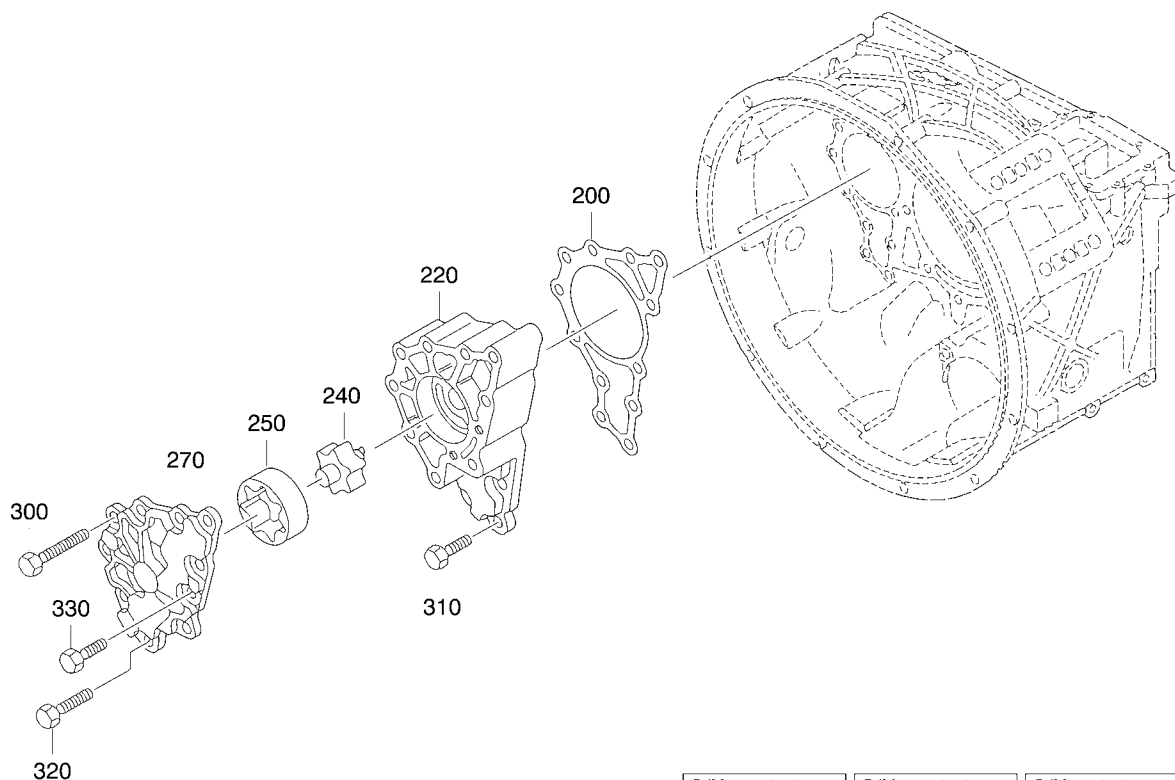
S/N : 740001->

S/N : 755001->

S/N : 735001->

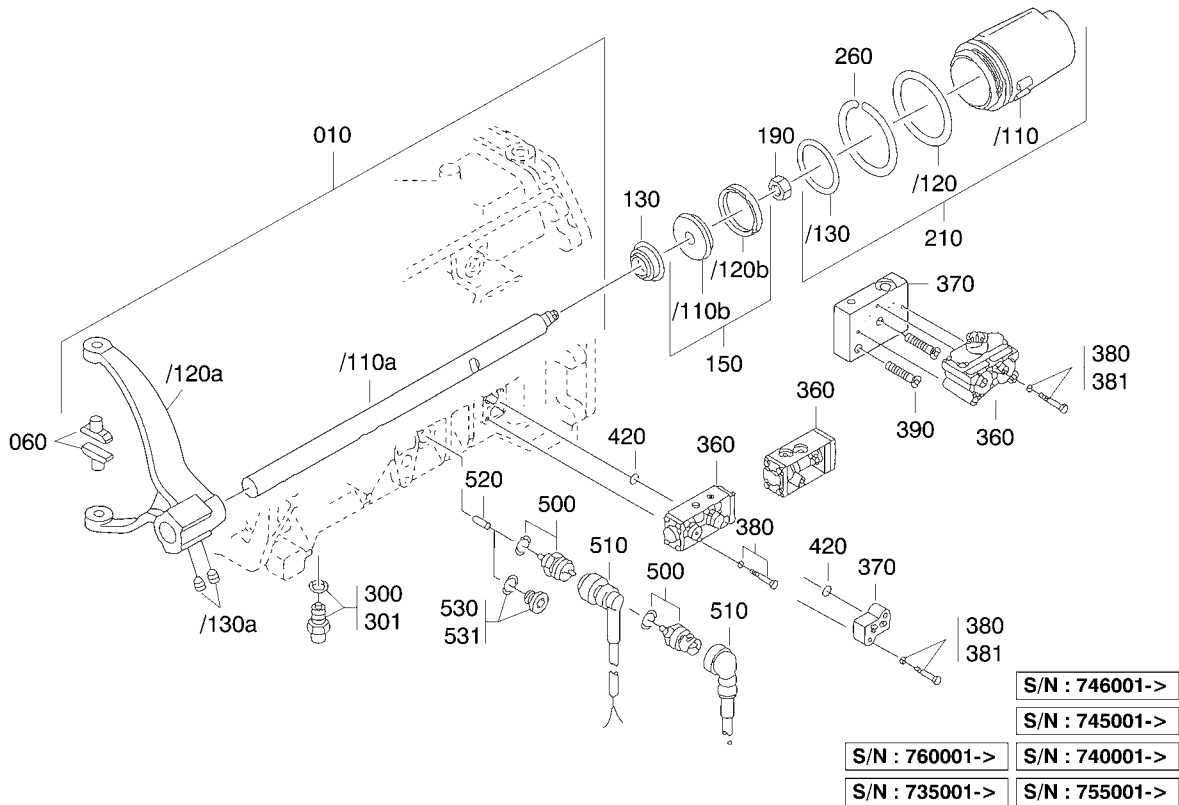
S/N : 760001->

| REP | REFERENCE | QTE | PRECO | DESIGNATION | DESCRIPTION | BESCHREIBUNG |
|-----|-----------|-----|-------|--------------------------------------|----------------------------|-------------------------|
| | | | | POMPE 130+33 CM3 EQ. | PUMP 130+33CM3 ASSY | PUMPE 130+33 CM3 |
| 32 | M0534554 | 8 | | ECROU SECURITE M20X2,5 CL88 | NUT | MUTTER |
| 33 | K0033865 | 4 | | VIS HM 20X70/46 CL 8.8 | SCREW | SCREW |
| 34 | K6950126 | 1 | | COUDE ASPIRATION D90 | COLLECTOR | KOLLECTOR |
| 35 | V0030494 | 1 | | JOINT-TORE 3,53X85,32-60 | O-RING SEAL | O-RING DICHTUNG |
| 36 | R3737768 | 2 | | PAIRE BRIDE RAC.M48 3000 | BRACKET | HALTEBUEGEL |
| 37 | G0032919 | 4 | | VIS CHC M16X40 | SCREW | SCHRAUBE |
| 38 | J6643581 | 1 | | POMPE DE DIRECTION 28cm ³ | PUMP | PUMPE |

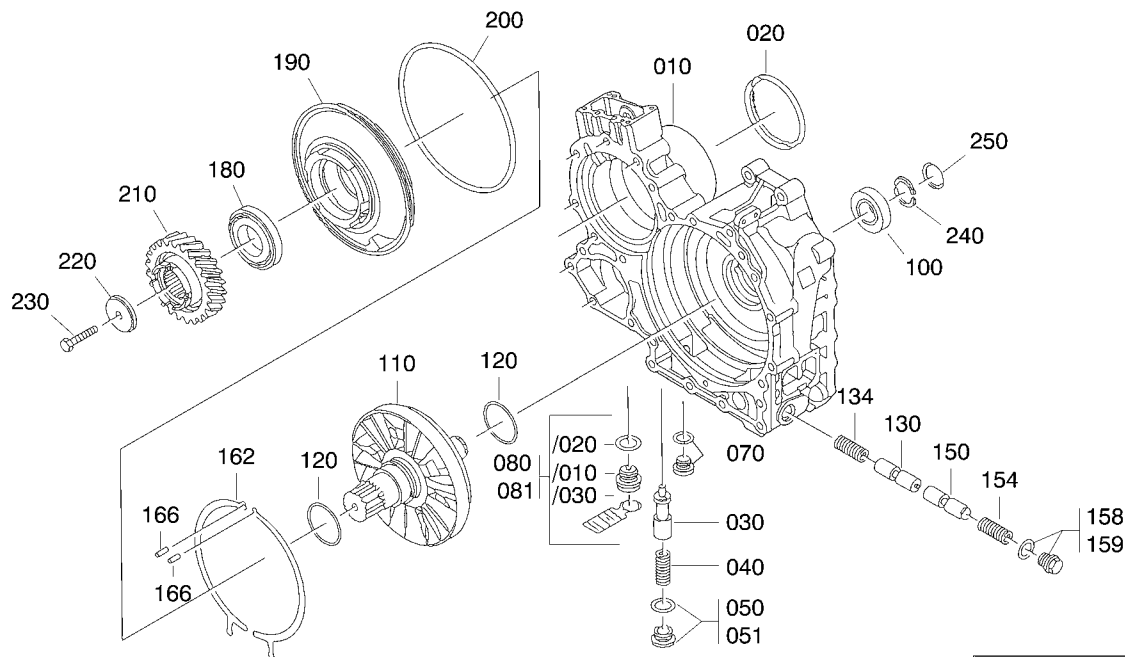


| | | |
|----------------|----------------|----------------|
| S/N : 746001-> | S/N : 740001-> | S/N : 760001-> |
| S/N : 745001-> | S/N : 735001-> | S/N : 755001-> |

| REP | REFERENCE | QTE | PRECO | DESIGNATION | DESCRIPTION | BESCHREIBUNG |
|-----|-----------|-----|-------|----------------------------|-----------------|------------------------|
| | | | | ARBRE INTERMEDIAIRE | LAYSHAFT | VORGELEGENWELLE |
| 200 | L6351069 | 1 | | JOINT | SEAL | DICHTUNG |
| 220 | G8738925 | 1 | | CORPS DE POMPE | PUMP HOUSING | PUMPENGEHAEUSE |
| 220 | H8738926 | 1 | | CORPS DE POMPE | PUMP HOUSING | PUMPENGEHAEUSE |
| 240 | U8638933 | 1 | | ARBRE DE POMPE | PUMP SHAFT | PUMPENWELLE |
| 250 | T8638932 | 1 | | ROTOR | ROTOR | ROTOR |
| 270 | J8738927 | 1 | | COUVERCLE DE POMPE | PUMP COVER | PUMPENDECKEL |
| 270 | K8738928 | 1 | | COUVERCLE DE POMPE | PUMP COVER | PUMPENDECKEL |
| 300 | H6633851 | 8 | | VIS HEXAGONALE H M10X85 Z1 | HEXAGON SCREW | SCHRAUBE |
| 310 | F6633849 | 3 | | VIS HEXAGONALE H M10X35 Z1 | HEXAGON SCREW | SCHRAUBE |
| 320 | C6533888 | 1 | | VIS H M10X60 | HEXAGON. SCREW | 6 KT. SCHRAUBE |
| 330 | F6633849 | 2 | | VIS HEXAGONALE H M10X35 Z1 | HEXAGON SCREW | SCHRAUBE |



| REP | REFERENCE | QTE | PRECO | DESIGNATION | DESCRIPTION | BESCHREIBUNG |
|-----|----------------|-----|-------|----------------------------|------------------------|---------------------|
| | | | | COMMANDE GV | GV-SHIFT SYSTEM | GV-SCHALTUNG |
| | 010 F8642784 | 1 | | GLISSIERE CDE | GEAR SHIFT RAIL | SCHALTSCHIENE |
| | /110a T7539371 | 1 | | GLISSIERE CDE | GEAR SHIFT RAIL | SCHALTSCHIENE |
| | /120a G8642785 | 1 | | FOURCHETTE PASSE VITESSE | GEAR SHIFT FORK | SCHALTGABEL |
| | /130a R6227748 | 2 | | GOUJON FILETE M12X1 | SET SCREW | GEWINDESTIFT |
| | 060 D6050843 | 2 | | PATIN | SLIDING PAD | GLEITSTEIN |
| | 130 U6636921 | 1 | | COLLIER | COLLAR | SCHELLE |
| | 150 A8738942 | 1 | | PISTON | PISTON | KOLBEN |
| | /110b B8738943 | 1 | | PISTON | PISTON | KOLBEN |
| | /110b C8738944 | 1 | | PISTON | PISTON | KOLBEN |
| | /120b U6351077 | 1 | | BAGUE 2 GORGES | DOUB.U-PACKING | DOPPELNUTRING |
| | 190 C6434505 | 1 | | ECROU FREIN MS16X1,5 | LOCKING NUT | SICHERGS.MUTTER |
| | 210 J5846838 | 1 | | VERIN DE COMMANDE | CYLINDER | ZYLINDER |
| | /110 K5846839 | 1 | | VERIN DE COMMANDE | CYLINDER | ZYLINDER |
| | /120 J6430417 | 1 | | JOINT TORIQUE 82X3 | O-RING | O-RING |
| | /130 K6430418 | 1 | | JOINT TORIQUE 67X3 | O-RING | O-RING |
| | 260 E7138123 | 1 | | RESSORT | SPRING | FEDER |
| | 300 K6133097 | 1 | | BUTEE DE VERROU | DETENT PLUNGER | RIEGELANSCHLAG |
| | 301 V6351078 | 1 | | BAGUE D'ETANCHEITE | SEALING RING | DICHTRING |
| | 360 H7043366 | 1 | | DISTRIBUTEUR 5/2 | 5/2 WAY VALVE | 5/2-WEGEVENTIL |
| | 380 Q6633858 | 2 | | VIS HEXAGONALE H M6X40 8.8 | HEXAGON SCREW | SCHRAUBE |
| | 381 V5445499 | 2 | | RONDELLE 6,4 | WASHER | SCHIBE |
| | 420 L6430419 | 2 | | JOINT TORIQUE 8X2 | O-RING | O-RING |
| | 520 Q6527621 | 1 | | GOUPILLE | SAFETY PIN | SICHERHEITSSTIFT |
| | 530 Q6637469 | 1 | | VIS FERMETURE M18X1,5 | SCREW PLUG | VERSCHL.SCHREIBE |
| | 531 T5145278 | 1 | | BAGUE ETANCH. | SEALING RING | DICHTRING |



S/N : 740001->

S/N : 735001->

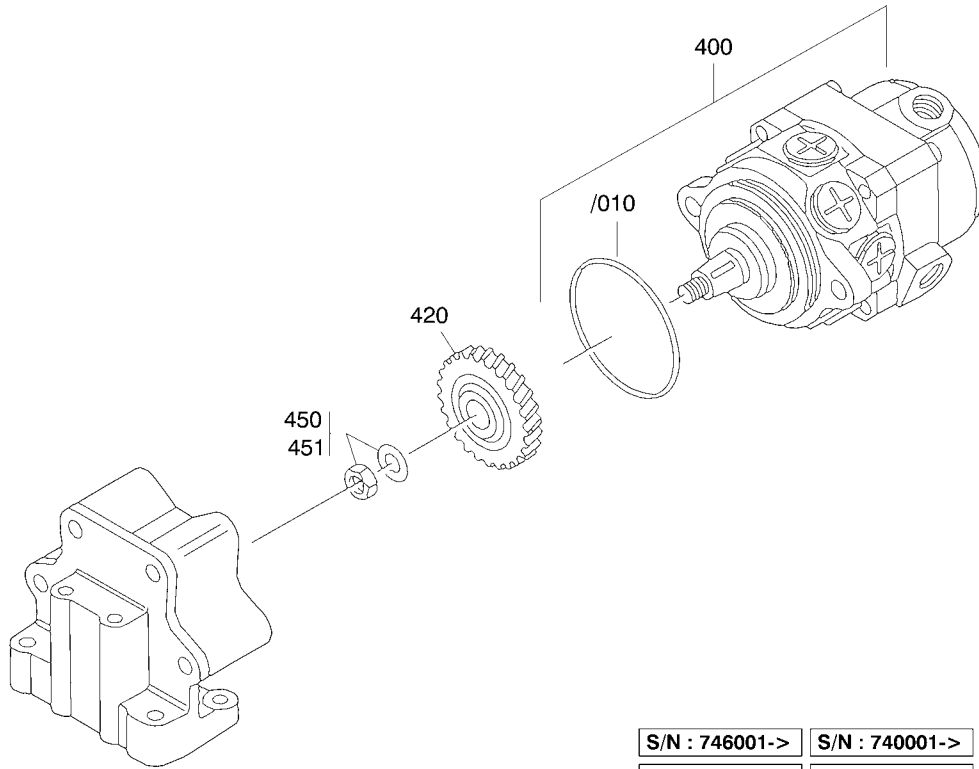
S/N : 746001->

S/N : 760001->

S/N : 745001->

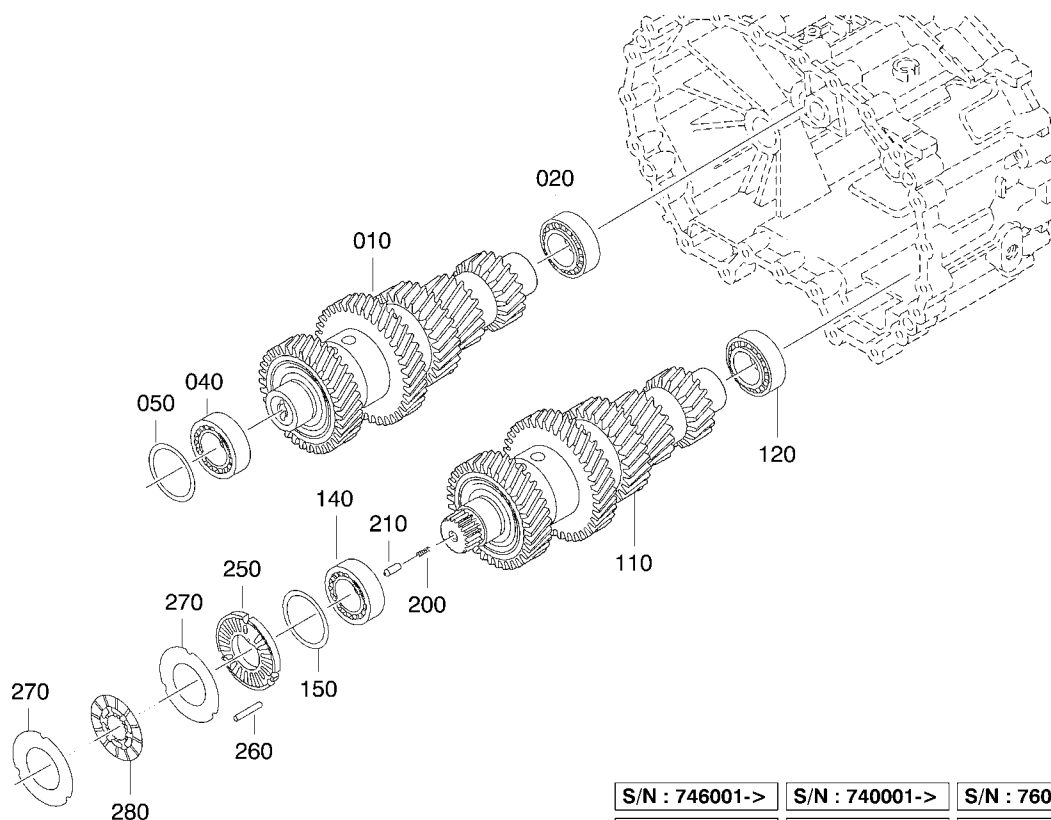
S/N : 755001->

| REP | REFERENCE | QTE | PRECO | DESIGNATION | DESCRIPTION | BESCHREIBUNG |
|-----|-----------|-----|-------|------------------------------|-------------------|-------------------|
| | | | | CARTER | HOUSING | GEHAUSE |
| 010 | H8738949 | 1 | | CARTER | HOUSING | GEHAUSE |
| 020 | L0351404 | 1 | | BAGUE D'ETANCHEITE | SEALING RING | DICHTRING |
| 030 | J8738950 | 1 | | PISTON | PISTON | KOLBEN |
| 040 | G7138125 | 1 | | RESSORT PRESSION | COMPR. SPRING | DRUCKFEDER |
| 050 | U6637473 | 1 | | VIS FERMETURE M26X1,5 | SCREW PLUG | VERSCHL. SCHREIBE |
| 051 | F6351087 | 1 | | BAGUE D'ETANCHEITE A26X31 | SEALING RING | DICHTRING |
| 080 | E6637413 | 1 | | VIS FERMETURE | SCREW PLUG | VERSCHL. SCHREIBE |
| 081 | S5145277 | 1 | | BAGUE D'ETANCHEITE | SEALING RING | DICHTRING |
| 100 | U6139914 | 1 | | ROULEMENT A ROULEAUX CONIQUE | TA. ROLL. BEARING | KEG. ROLLENLAGER |
| 110 | K8738951 | 1 | | ROTOR | ROTOR | ROTOR |
| 120 | L8738952 | 2 | | SEGMENT DE PISTON | PISTON RING | KOLBENRING |
| 130 | M8738953 | 1 | | PISTON | PISTON | KOLBEN |
| 134 | H7138126 | 1 | | RESSORT PRESSION | COMPR. SPRING | DRUCKFEDER |
| 150 | M8738953 | 1 | | PISTON | PISTON | KOLBEN |
| 154 | H7138126 | 1 | | RESSORT PRESSION | COMPR. SPRING | DRUCKFEDER |
| 158 | V6637474 | 1 | | VIS FERMETURE M22X1,5 | SCREW PLUG | VERSCHL. SCHREIBE |
| 159 | R5145276 | 1 | | BAGUE D'ETANCHEITE | SEALING RING | DICHTRING |
| 162 | G5145290 | 2 | | DISQUE RETENUE | OIL DAM | STAUSCHEIBE |
| 166 | J0235620 | 2 | | GOUPILLE CYLINDRIQUE 6H8X32 | CYLINDRICAL PIN | ZYLINDERSIFT |
| 180 | V6139915 | 1 | | ROULEMENT A ROULEAUX CONIQUE | TA. ROLL. BEARING | KEG. ROLLENLAGER |
| 190 | N8738954 | 1 | | STATOR | STATOR | STATOR |
| 200 | M6430420 | 1 | | JOINT TORIQUE 240X3 | O-RING | O-RING |
| 210 | G7539383 | 1 | | PIGNON CYLINDRIQUE Z9 | SPUR GEAR | STIRNRAD |
| 220 | N3745378 | 1 | | RONDELLE | WASHER | SCHEIBE |
| 230 | X6633865 | 1 | | VIS HEXAGONALE H M12X80 10.9 | HEXAGON SCREW | SCHRAUBE |
| 240 | Q8428732 | 1 | | BAGUE EN 2 PARTIES 3,7 | SPLIT RING | GETTEILTER |
| 240 | R8428733 | NB | | BAGUE EN 2 PARTIES 3,65 | SPLIT RING | GETTEILTER |
| 240 | S8428734 | NB | | BAGUE EN 2 PARTIES 3,6 | SPLIT RING | GETTEILTER |
| 240 | T8428735 | NB | | BAGUE EN 2 PARTIES 3,55 | SPLIT RING | GETTEILTER |
| 240 | U8428736 | NB | | BAGUE EN 2 PARTIES 3,5 | SPLIT RING | GETTEILTER |
| 240 | V8428737 | NB | | BAGUE EN 2 PARTIES 3,45 | SPLIT RING | GETTEILTER |



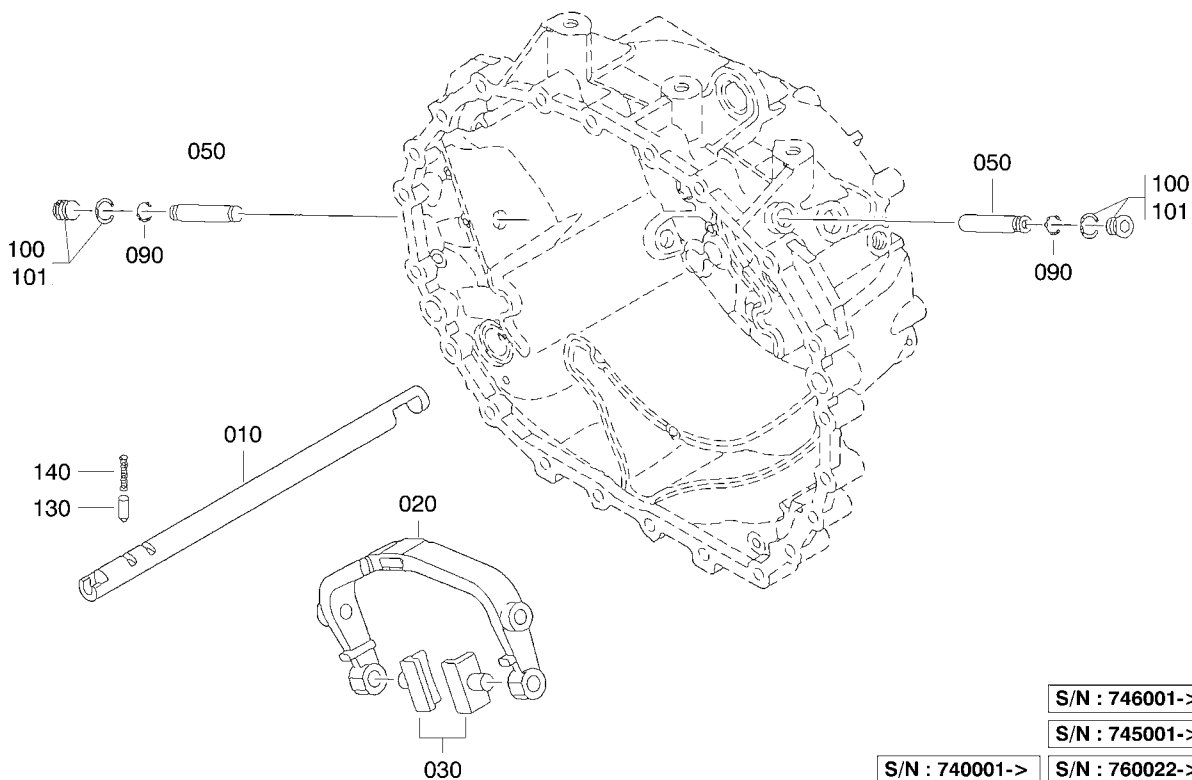
| | | |
|----------------|----------------|----------------|
| S/N : 746001-> | S/N : 740001-> | S/N : 760001-> |
| S/N : 745001-> | S/N : 735001-> | S/N : 755001-> |

| REP | REFERENCE | QTE | PRECO | DESIGNATION | DESCRIPTION | BESCHREIBUNG |
|------|-----------|-----|-------|---------------------------|----------------------|------------------|
| | | | | POMPE DE DIRECTION | STEERING PUMP | LENKPUMPE |
| 400 | A6643550 | 1 | 1-8 | POMPE A PISTONS | PISTON PUMP | KOLBENPUMPE |
| /010 | U6430427 | 1 | | JOINT TORIQUE 73X2,5 | O-RING | O-RING |
| 420 | M7539388 | 1 | | ROUE DE SORTIE Z46 | OUTPUT GEAR | ABTRIEBSRAD |
| 450 | E6434507 | 1 | | ECROU HEXAGONAL M12 | HEXAGONAL NUT | MUTTER |
| 451 | B5045419 | 1 | | RONDELLE 13 | WASHER | SCHEIBE |



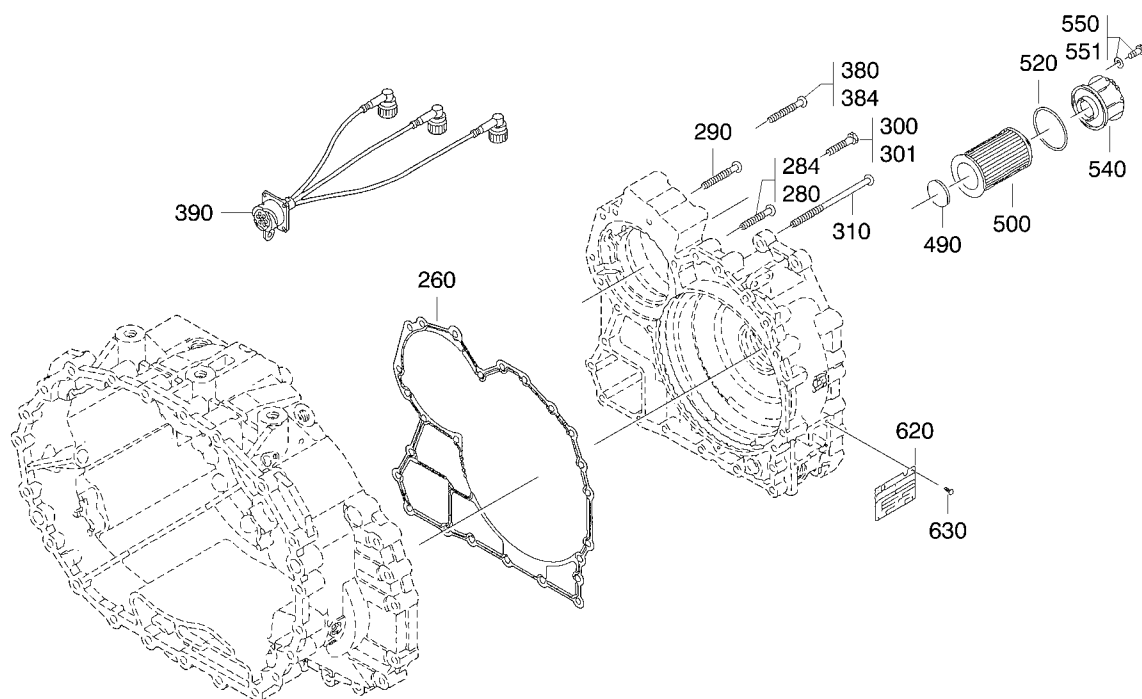
| | | |
|----------------|----------------|----------------|
| S/N : 746001-> | S/N : 740001-> | S/N : 760022-> |
| S/N : 745001-> | S/N : 735001-> | S/N : 755014-> |

| REP | REFERENCE | QTE | PRECO | DESIGNATION | DESCRIPTION | BESCHREIBUNG |
|-----|-----------|-----|-------|----------------------------|-------------------|-----------------------|
| | | | | ARBRE INTERMEDIAIRE | LAYSHAFT | VORGELEGEWELLE |
| 010 | X7539398 | 1 | | ARBRE INTERMED. | LAYSHAFT | VORGELEGEWELLE |
| 020 | N3039807 | 1 | | ROULT. A RLX | TA. ROLL. BEARING | KEG. ROLLENLAGER |
| 040 | N3039807 | 1 | | ROULT. A RLX | TA. ROLL. BEARING | KEG. ROLLENLAGER |
| 050 | U3545307 | 1 | | RONDELLE EP 2.80 | SHIM | AUSGL. SCHEIBE |
| 050 | V3545308 | 1 | | RONDELLE EP 2.75 | SHIM | AUSGL. SCHEIBE |
| 050 | W3545309 | 1 | | RONDELLE EP 2.70 | SHIM | AUSGL. SCHEIBE |
| 050 | X3545310 | 1 | | RONDELLE EP 2.65 | SHIM | AUSGL. SCHEIBE |
| 050 | Z3545311 | 1 | | RONDELLE EP 2.60 | SHIM | AUSGL. SCHEIBE |
| 050 | A3545312 | 1 | | RONDELLE EP 2.55 | SHIM | AUSGL. SCHEIBE |
| 050 | B3545313 | 1 | | RONDELLE EP 2.50 | SHIM | AUSGL. SCHEIBE |
| 050 | C3545314 | 1 | | RONDELLE EP 2.45 | SHIM | AUSGL. SCHEIBE |
| 050 | D3545315 | 1 | | RONDELLE EP 2.40 | SHIM | AUSGL. SCHEIBE |
| 050 | E3545316 | 1 | | RONDELLE EP 2.35 | SHIM | AUSGL. SCHEIBE |
| 050 | F3545317 | 1 | | RONDELLE EP 2.30 | SHIM | AUSGL. SCHEIBE |
| 050 | G3545318 | 1 | | RONDELLE EP 2.25 | SHIM | AUSGL. SCHEIBE |
| 050 | H3545319 | 1 | | RONDELLE EP 2.20 | SHIM | AUSGL. SCHEIBE |
| 050 | J3545320 | 1 | | RONDELLE EP 2.15 | SHIM | AUSGL. SCHEIBE |
| 050 | K3545321 | 1 | | RONDELLE EP 2.10 | SHIM | AUSGL. SCHEIBE |
| 050 | L3545322 | 1 | | RONDELLE EP 2.05 | SHIM | AUSGL. SCHEIBE |
| 050 | M3545323 | 1 | | RONDELLE EP 1.95 | SHIM | AUSGL. SCHEIBE |
| 050 | N3545324 | 1 | | RONDELLE EP 2.00 | SHIM | AUSGL. SCHEIBE |
| 050 | P3545325 | 1 | | RONDELLE EP 1.90 | SHIM | AUSGL. SCHEIBE |
| 050 | Q3545326 | 1 | | RONDELLE EP 1.85 | SHIM | AUSGL. SCHEIBE |
| 050 | R3545327 | 1 | | RONDELLE EP 1.80 | SHIM | AUSGL. SCHEIBE |
| 050 | S3545328 | 1 | | RONDELLE EP 1.75 | SHIM | AUSGL. SCHEIBE |
| 050 | T3545329 | 1 | | RONDELLE EP 1.70 | SHIM | AUSGL. SCHEIBE |
| 110 | Z7539399 | 1 | | ARBRE INTERMED. | LAYSHAFT | VORGELEGEWELLE |
| 120 | N3039807 | 1 | | ROULT. A RLX | TA. ROLL. BEARING | KEG. ROLLENLAGER |
| 140 | N3039807 | 1 | | ROULT. A RLX | TA. ROLL. BEARING | KEG. ROLLENLAGER |
| 150 | U3545307 | 1 | | RONDELLE EP 2.80 | SHIM | AUSGL. SCHEIBE |
| 150 | V3545308 | 1 | | RONDELLE EP 2.75 | SHIM | AUSGL. SCHEIBE |



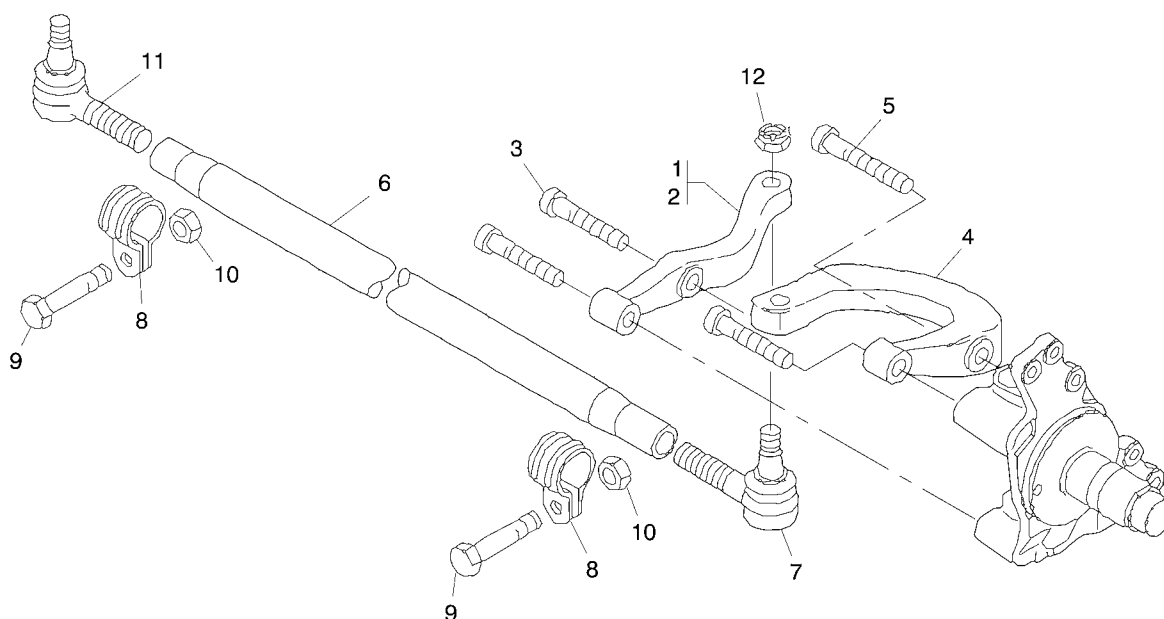
S/N : 746001->
S/N : 745001->
S/N : 740001-> S/N : 760022->
S/N : 735001-> S/N : 755014->

| REP | REFERENCE | QTE | PRECO | DESIGNATION | DESCRIPTION | BESCHREIBUNG |
|-----|-----------|-----|-------|--------------------------|-------------------|---------------------|
| | | | | CDE GR.PLANETAIRE | COMANDO-GP | GP-SCHALTUNG |
| 010 | Q8638952 | 1 | | GLISSIERE CDE | GEAR SHIFT RAIL | SCHALTSCHIENE |
| 020 | R8638953 | 1 | | COULISSE CDE | GEAR SHIFT FORK | SCHALTSCHWINGE |
| 030 | S8638954 | 2 | | COULISSEAU | SLIDING PAD | GLEITSTEIN |
| 050 | T8638955 | 2 | | AXE ARTICULATION | JOINT PIN | GELENKBOLZEN |
| 090 | X0336327 | 2 | | CIRCLIPS | SNAP RING | SPRENGRING |
| 100 | K6637418 | 2 | | VIS FERMETURE | SCREW PLUG | VERSCHL.SCHRAUBE |
| 101 | K5145293 | 2 | | BAGUE ETANCHEITE | SEALING RING | DICHTRING |
| 130 | X0235610 | 1 | | BUTEE | DETENT PIN | RASTENBOLZEN |
| 140 | R7138111 | 1 | | RESSORT PRESS. | COMPR. SPRING | DRUCKFEDER |



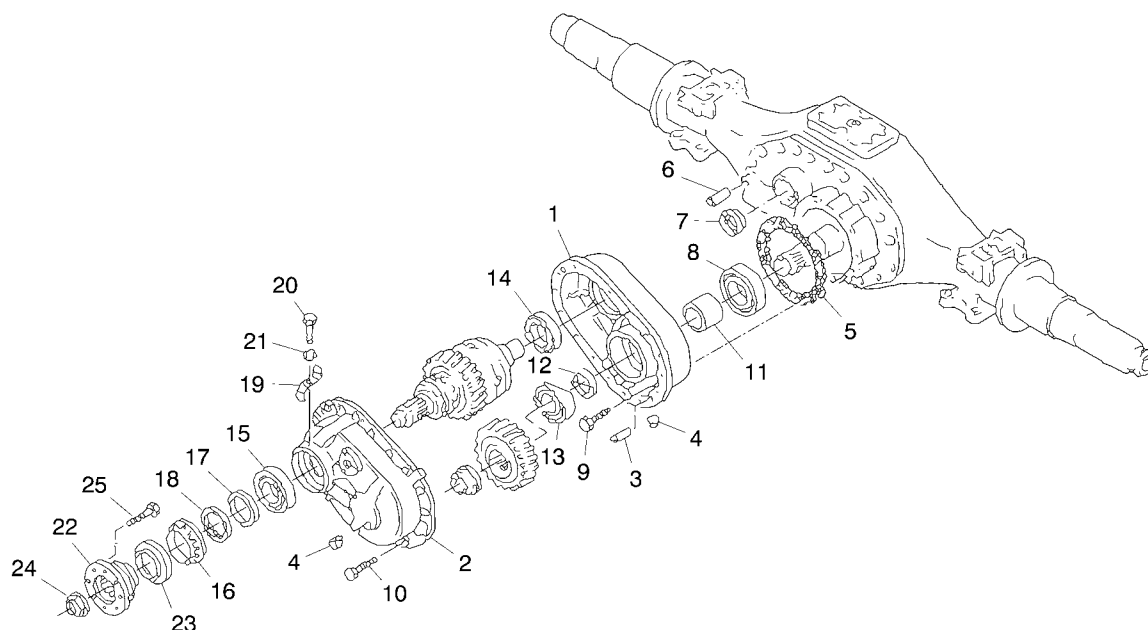
S/N : 746001-> S/N : 740001-> S/N : 760022->
S/N : 745001-> S/N : 735001-> S/N : 755014->

| REP | REFERENCE | QTE | PRECO | DESIGNATION | DESCRIPTION | BESCHREIBUNG |
|-----|-----------|-----|-------|----------------------|----------------|----------------|
| | | | | CARTER | HOUSING | GEHAUSE |
| 260 | V6451036 | 1 | | JOINT | SEAL | DICHTUNG |
| 280 | Z6533885 | 14 | | VIS H M10X60 | SCREW | SCHRAUBE |
| 290 | N6633879 | 4 | | VIS H M10X80 | SCREW | SCHRAUBE |
| 300 | B6633891 | 2 | | VIS H M10X40 | SCREW | SCHRAUBE |
| 301 | K5445489 | 2 | | RONDELLE 10,5 | WASHER | SCHEIBE |
| 310 | D6633847 | 3 | | VIS H M10X140 | SCREW | SCHRAUBE |
| 380 | Z6533885 | 1 | | VIS H M10X60 | SCREW | SCHRAUBE |
| 384 | Z6533885 | 1 | | VIS H M10X60 | SCREW | SCHRAUBE |
| 390 | L8552284 | 1 | | CABLE | CABLE | KABEL |
| 490 | A8738965 | 1 | | AIMANT | MAGNET | MAGNET |
| 500 | C6550563 | 1 | | ELEMENT TRANSMISSION | SCREEN INSERT | SIEBEINSATZ |
| 520 | R6430424 | 1 | | JOINT TORIQUE 70X3 | O-RING | O-RING |
| 540 | B8738966 | 1 | | COUVERCLE | COVER | DECKEL |
| 550 | C8738967 | 1 | | COUVERCLE | COVER | DECKEL |
| 551 | C6633869 | 1 | | VIS H M8X20 | SCREW | SCHRAUBE |
| 620 | W6644053 | 1 | | PLAQUE SIGNALETIQUE | TYPE PLATE | TYPENSCHILD |
| 630 | V0235102 | 4 | | RIVET BORGNE | BLIND RIVET | BLINDNIET |



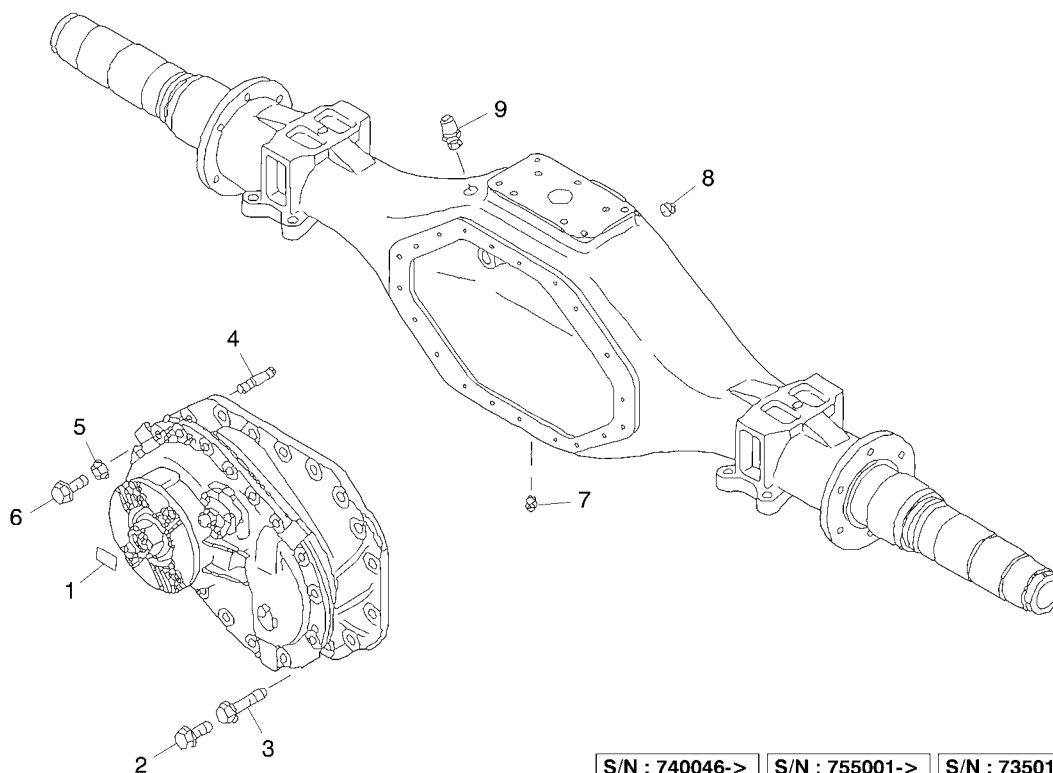
S/N : 746001-> S/N : 735017-> S/N : 760001->
S/N : 755001-> S/N : 745001-> S/N : 740046->

| REP | REFERENCE | QTE | PRECO | DESIGNATION | DESCRIPTION | BESCHREIBUNG |
|-----|-----------|-----|-------|-------------------------------|-------------------|-------------------|
| | | | | BARRE D'ACCOUPEMENT | TRACK ROD | SPURSTANGE |
| 1 | T8642773 | 1 | | LEVIER D'ACCOUPEMENT GAUCHE | TRACK ROD | SPURSTANGE |
| 2 | U8642774 | 1 | | LEVIER D'ACCOUPEMENT DROITE | TRACK ROD | SPURSTANGE |
| 3 | B6332982 | 5 | | VIS CHC M22X1,5X90 10.9 | CHEESE HEAD SCREW | ZYLINDERSCHRAUBE |
| 4 | V8642775 | 1 | | BIELLE D'ACCOUPEMENT GAUCHE | TRACK ROD | SPURSTANGE |
| 5 | C6332983 | 1 | | VIS CHC M22X1,5X110 10.9 | CHEESE HEAD SCREW | ZYLINDERSCHRAUBE |
| 6 | W8642776 | 1 | | BARRE D'ACCOUPEMENT LM | TRACK ROD | SPURSTANGE |
| 7 | U6140052 | 1 | | ROTULE ASS. FILETAGE A GAUCHE | JOINT | KUGELGELENK |
| 8 | R6636918 | 2 | | COLLIER DE SERRAGE | COLLAR-BAND | KLEMMSCHELLE |
| 9 | N6633833 | 2 | | VIS H M12X1,5X65 10.9 | SCREW | SCHRAUBE |
| 10 | E6334595 | 2 | | ECROU SECURITE AM12X1,5-10 | NUT | MUTTER |
| 11 | V6140053 | 1 | | ROTULE ASS. FILETAGE A DROITE | JOINT | KUGELGELENK |
| 12 | X6334520 | 2 | | ECROU SECURITE AM24X1,5-15 | NUT | MUTTER |



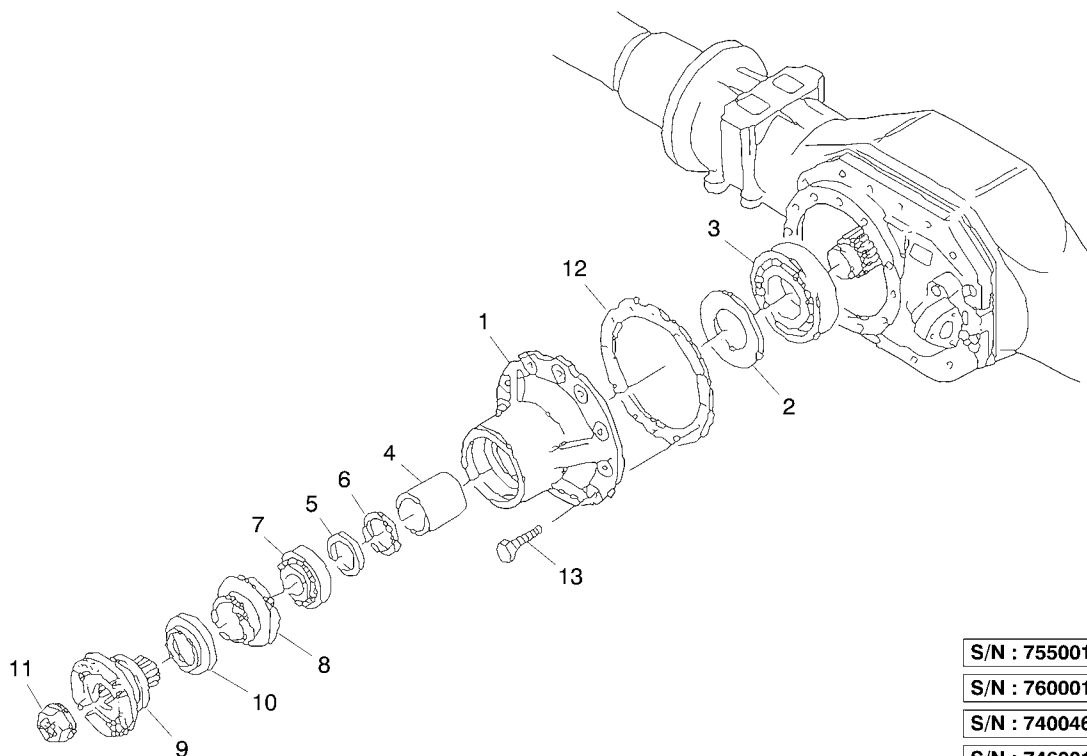
S/N : 740046-> S/N : 755001-> S/N : 735017->
S/N : 746001-> S/N : 760001-> S/N : 745001->

| REP | REFERENCE | QTE | PRECO | DESIGNATION | DESCRIPTION | BESCHREIBUNG |
|-----|-----------|-----|-------|-----------------------------------|--------------------------|-------------------------------|
| | | | | RELAIS INTER-PONT BOITIER | RELAY INTER. AXLE | RELAIS INTER.FAHRACHSE |
| 1 | S7044548 | 1 | | CARTER PIGNON MENANT | AXLE HOUSING | FAHRACHSEGEHAUSE |
| 2 | Z5948535 | 1 | | COUVERCLE | COVER PLATE | DECKEL |
| 3 | D0227266 | 2 | | TIGE CYLINDRIQUE 12M6X32 | ROD | STANGE |
| 4 | J6637463 | 1 | | VIS D'OBTURATION M24X1,5 5.8 | SCREW | SCHRAUBE |
| 4 | K6637464 | 1 | | VIS D'OBTURATION M24X1,5 5.8 | SCREW | SCHRAUBE |
| 5 | B5445458 | NB | | RONDELLE DE REGLAGE 0,1MM | WASHER | SCHEIBE |
| 5 | C5445459 | NB | | RONDELLE DE REGLAGE 0,15MM | WASHER | SCHEIBE |
| 5 | D5445460 | NB | | RONDELLE DE REGLAGE 0,35MM | WASHER | SCHEIBE |
| 5 | E5445461 | NB | | RONDELLE DE REGLAGE 0,5MM | WASHER | SCHEIBE |
| 5 | R5445472 | NB | | RONDELLE DE REGLAGE 1MM | WASHER | SCHEIBE |
| 5 | S5445473 | NB | | RONDELLE DE REGLAGE 1,5MM | WASHER | SCHEIBE |
| 6 | E0227267 | 1 | | TIGE CYLINDRIQUE | ROD | STANGE |
| 7 | B8428719 | 1 | | PIECE INTERMEDIAIRE | PIECE | STUCK |
| 8 | D3039867 | 1 | | ROULEMENT ROULEAUX CONIQUES 32314 | TAPEREDROLLERBEARING | KEGELROLLENLAGER |
| 9 | A6633844 | 12 | | VIS H M14X1,5X60 10.9 | SCREW | SCHRAUBE |
| 10 | B6633845 | 16 | | VIS H M14X1,5X40 8.8 | SCREW | SCHRAUBE |
| 11 | C8428720 | 1 | | DOUILLE 69X80X60 | SLEEVE | HUELSE |
| 12 | Q5345421 | NB | | RONDELLE D'AJUSTAGE 65X80X3,7 | WASHER | SCHEIBE |
| 12 | T5345424 | NB | | RONDELLE D'AJUSTAGE 65X80X4 | WASHER | SCHEIBE |
| 12 | U5345425 | NB | | RONDELLE D'AJUSTAGE 65X80X4,1 | WASHER | SCHEIBE |
| 12 | F5345435 | NB | | RONDELLE D'AJUSTAGE 65X80X4,2 | WASHER | SCHEIBE |
| 12 | R5345445 | NB | | RONDELLE D'AJUSTAGE 65X80X4,3 | WASHER | SCHEIBE |
| 12 | W5345450 | NB | | RONDELLE D'AJUSTAGE 65X80X4,35 | WASHER | SCHEIBE |
| 12 | C5345455 | NB | | RONDELLE D'AJUSTAGE 65X80X4,4 | WASHER | SCHEIBE |
| 12 | J5345461 | NB | | RONDELLE D'AJUSTAGE 65X80X4,45 | WASHER | SCHEIBE |
| 12 | Q5345467 | NB | | RONDELLE D'AJUSTAGE 65X80X4,5 | WASHER | SCHEIBE |
| 12 | W5345473 | NB | | RONDELLE D'AJUSTAGE 65X80X4,55 | WASHER | SCHEIBE |
| 12 | D5345479 | NB | | RONDELLE D'AJUSTAGE 65X80X4,6 | WASHER | SCHEIBE |
| 12 | K5345485 | NB | | RONDELLE D'AJUSTAGE 65X80X4,65 | WASHER | SCHEIBE |
| 12 | R5345491 | NB | | RONDELLE D'AJUSTAGE 65X80X4,7 | WASHER | SCHEIBE |



| | | |
|----------------|----------------|----------------|
| S/N : 740046-> | S/N : 755001-> | S/N : 735017-> |
| S/N : 746001-> | S/N : 760001-> | S/N : 745001-> |

| REP | REFERENCE | QTE | PRECO | DESIGNATION | DESCRIPTION | BESCHREIBUNG |
|-----|-----------|-----|-------|--|--------------------|---------------------|
| | | | | TETE PONT FIXATION AVEC RENIFLARD | AXLE | FAHRACHSE |
| 1 | V6644052 | 1 | | PLAQUE CONSTRUCTEUR 68X44 | PLATE MANUFACTURER | PLATTE KONSTRUKTEUR |
| 2 | S6034043 | 12 | | VIS H M12X1,5X45 12.9 | SCREW | SCHRAUBE |
| 3 | T6034044 | 6 | | VIS H M12X1,5X85 12.9 | SCREW | SCHRAUBE |
| 4 | J6034058 | 2 | | VIS H M12X1,5X40 10.9 | SCREW | SCHRAUBE |
| 5 | E6637459 | 1 | | VIS D'OBTURATION M24X1,5 5.8 | SCREW | SCHRAUBE |
| 8 | F6637460 | 1 | | VIS D'OBTURATION M24X1,5 5.8 | SCREW | SCHRAUBE |
| 9 | D7837598 | 1 | | RACCORD ENFICHABLE | CONNECTION | ANSCHLUSS |



S/N : 755001->

S/N : 760001->

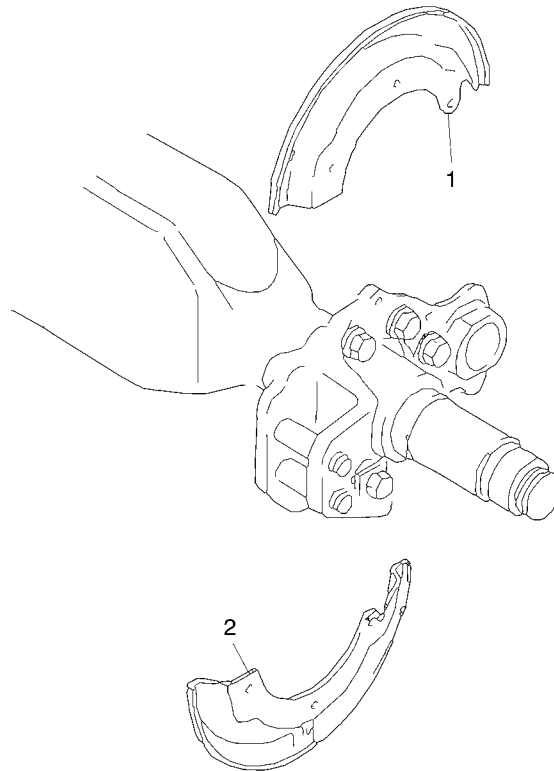
S/N : 740046->

S/N : 746001->

S/N : 735017->

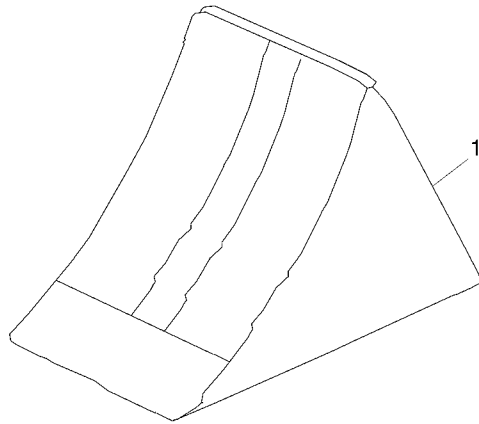
S/N : 745001->

| REP | REFERENCE | QTE | PRECO | DESIGNATION | DESCRIPTION | BESCHREIBUNG |
|-----|-----------|-----|-------|---------------------------------|---------------------|-------------------------|
| | | | | CARTER PIGNON MENANT | AXLE HOUSING | FAHRACHSEGEHAUSE |
| 5 | R5345445 | NB | | RONDELLE D'AJUSTAGE 65X80X4,3 | WASHER | SCHEIBE |
| 5 | S5345446 | NB | | RONDELLE D'AJUSTAGE 65X80X4,31 | WASHER | SCHEIBE |
| 5 | T5345447 | NB | | RONDELLE D'AJUSTAGE 65X80X4,32 | WASHER | SCHEIBE |
| 5 | U5345448 | NB | | RONDELLE D'AJUSTAGE 65X80X4,33 | WASHER | SCHEIBE |
| 5 | V5345449 | NB | | RONDELLE D'AJUSTAGE 65X80X4,34 | WASHER | SCHEIBE |
| 5 | W5345450 | NB | | RONDELLE D'AJUSTAGE 65X80X4,35 | WASHER | SCHEIBE |
| 5 | X5345451 | NB | | RONDELLE D'AJUSTAGE 65X80X4,36 | WASHER | SCHEIBE |
| 5 | Z5345452 | NB | | RONDELLE D'AJUSTAGE 65X80X4,37 | WASHER | SCHEIBE |
| 5 | A5345453 | NB | | RONDELLE D'AJUSTAGE 65X80X4,38 | WASHER | SCHEIBE |
| 5 | B5345454 | NB | | RONDELLE D'AJUSTAGE 65X80X4,39 | WASHER | SCHEIBE |
| 5 | C5345455 | NB | | RONDELLE D'AJUSTAGE 65X80X4,4 | WASHER | SCHEIBE |
| 5 | D5345456 | NB | | RONDELLE D'AJUSTAGE 65X80X4,41 | WASHER | SCHEIBE |
| 5 | E5345457 | NB | | RONDELLE D'AJUSTAGE 65X80X4,42 | WASHER | SCHEIBE |
| 5 | F5345458 | NB | | RONDELLE D'AJUSTAGE 65X80X4,425 | WASHER | SCHEIBE |
| 5 | G5345459 | NB | | RONDELLE D'AJUSTAGE 65X80X4,43 | WASHER | SCHEIBE |
| 5 | H5345460 | NB | | RONDELLE D'AJUSTAGE 65X80X4,44 | WASHER | SCHEIBE |
| 5 | J5345461 | NB | | RONDELLE D'AJUSTAGE 65X80X4,45 | WASHER | SCHEIBE |
| 5 | K5345462 | NB | | RONDELLE D'AJUSTAGE 65X80X4,46 | WASHER | SCHEIBE |
| 5 | L5345463 | NB | | RONDELLE D'AJUSTAGE 65X80X4,47 | WASHER | SCHEIBE |
| 5 | M5345464 | NB | | RONDELLE D'AJUSTAGE 65X80X4,475 | WASHER | SCHEIBE |
| 5 | N5345465 | NB | | RONDELLE D'AJUSTAGE 65X80X4,48 | WASHER | SCHEIBE |
| 5 | P5345466 | NB | | RONDELLE D'AJUSTAGE 65X80X4,49 | WASHER | SCHEIBE |
| 5 | Q5345467 | NB | | RONDELLE D'AJUSTAGE 65X80X4,5 | WASHER | SCHEIBE |
| 5 | R5345468 | NB | | RONDELLE D'AJUSTAGE 65X80X4,51 | WASHER | SCHEIBE |
| 5 | S5345469 | NB | | RONDELLE D'AJUSTAGE 65X80X4,52 | WASHER | SCHEIBE |
| 5 | T5345470 | NB | | RONDELLE D'AJUSTAGE 65X80X4,525 | WASHER | SCHEIBE |
| 5 | U5345471 | NB | | RONDELLE D'AJUSTAGE 65X80X4,53 | WASHER | SCHEIBE |
| 5 | V5345472 | NB | | RONDELLE D'AJUSTAGE 65X80X4,54 | WASHER | SCHEIBE |
| 5 | W5345473 | NB | | RONDELLE D'AJUSTAGE 65X80X4,55 | WASHER | SCHEIBE |
| 5 | X5345474 | NB | | RONDELLE D'AJUSTAGE 65X80X4,56 | WASHER | SCHEIBE |
| 5 | Z5345475 | NB | | RONDELLE D'AJUSTAGE 65X80X4,57 | WASHER | SCHEIBE |



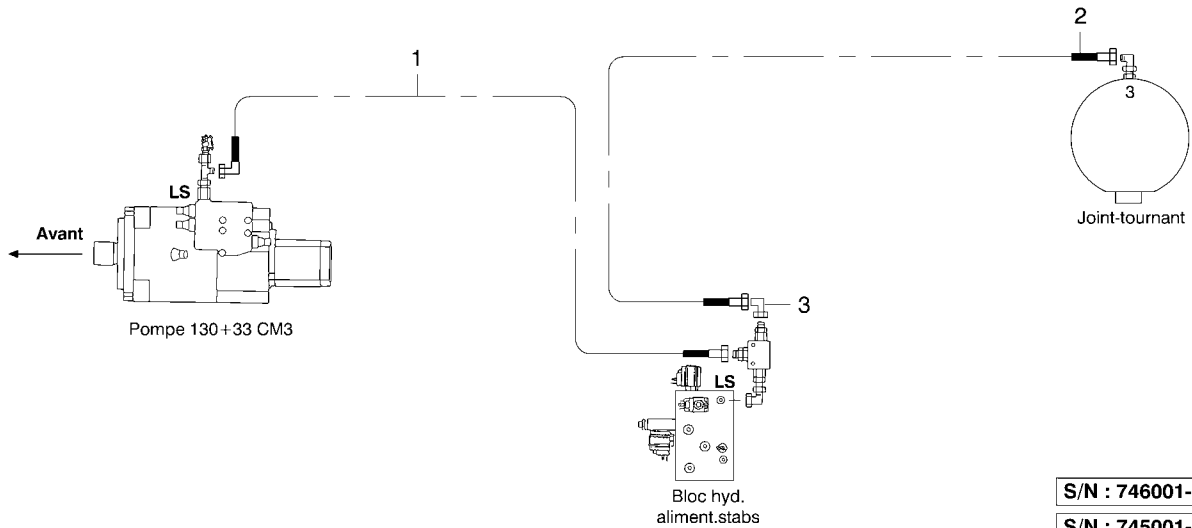
| |
|----------------|
| S/N : 735017-> |
| S/N : 755001-> |
| S/N : 760001-> |
| S/N : 745001-> |
| S/N : 746001-> |
| S/N : 740046-> |

| REP | REFERENCE | QTE | PRECO | DESIGNATION | DESCRIPTION | BESCHREIBUNG |
|-----|-----------|-----|-------|---------------------------|--------------------|------------------|
| | | | | TOLE DE PROTECTION | COVER PLATE | DEKPLATTE |
| 1 | B9722768 | 2 | | TOLE DE PRTECTION AS. BVA | COVER PLATE | DEKPLATTE |
| 2 | C9722769 | 2 | | TOLE DE PRTECTION AS. BVA | COVER PLATE | DEKPLATTE |
| 2 | G6637461 | NB | | OBTURATEUR 7,2X6-14-PE | BLANK-OFF PLUG | VERSCHLUSS |
| 2 | H6637462 | NB | | OBTURATEUR 12,3X7-16-PE | BLANK-OFF PLUG | VERSCHLUSS |




- S/N : 254001->
- S/N : 253001->
- S/N : 740001->
- S/N : 755001->
- S/N : 760001->
- S/N : 735001->
- S/N : 251001->
- S/N : 271001->
- S/N : 551001->

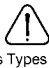
| REP | REFERENCE | QTE | PRECO | DESIGNATION | DESCRIPTION | BESCHREIBUNG |
|-----|-----------|-----|-------|---------------------|-------------|--------------|
| | | | | CALE DE ROUE | SHIM | KEIL |
| 1 | V1444212 | X | | CALE DE ROUE | SHIM | KEIL |



S/N : 746001->
 S/N : 745001->
 S/N : 740001->
 S/N : 735001->

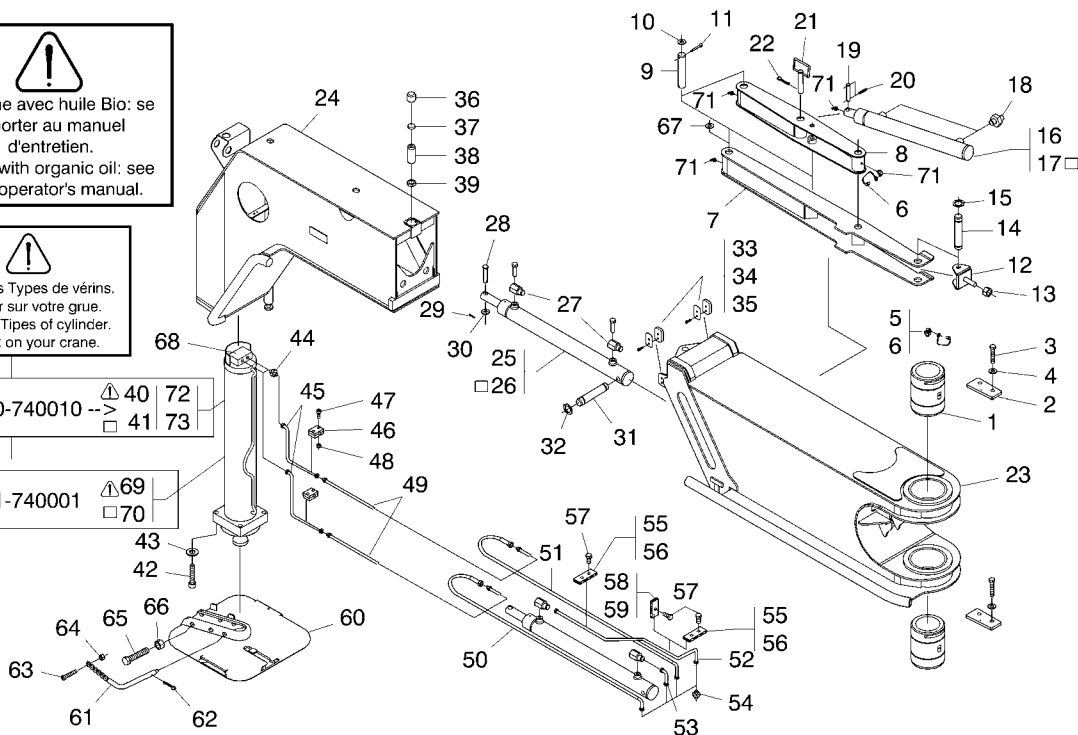
| REP | REFERENCE | QTE | PRECO | DESIGNATION | DESCRIPTION | BESCHREIBUNG |
|-----|-----------|-----|-------|----------------------------|---------------------------------|----------------------|
| | | | | LIAISON HYD. L.S. | LOAD SENSING HYD.CIRCUIT | L.S KREISLAUF |
| 1 | U6542299 | 1 | | FLEXIBLE D8S FF/DC90 L2800 | HOSE | SCHLAUCH |
| 2 | R6842262 | 1 | | FLEXIBLE D8S FF/DC90 L5500 | HOSE | SCHLAUCH |
| 3 | N1737018 | 1 | | EQUERRE ORIENT. D8S | ANGLE PIECE | WINKEL STUECK |


 Machine avec huile Bio: se reporter au manuel d'entretien.
 Crane with organic oil: see your operator's manual.


 Plusieurs Types de vérins. Vérifier sur votre grue.
 Several Types of cylinder. Check on your crane.

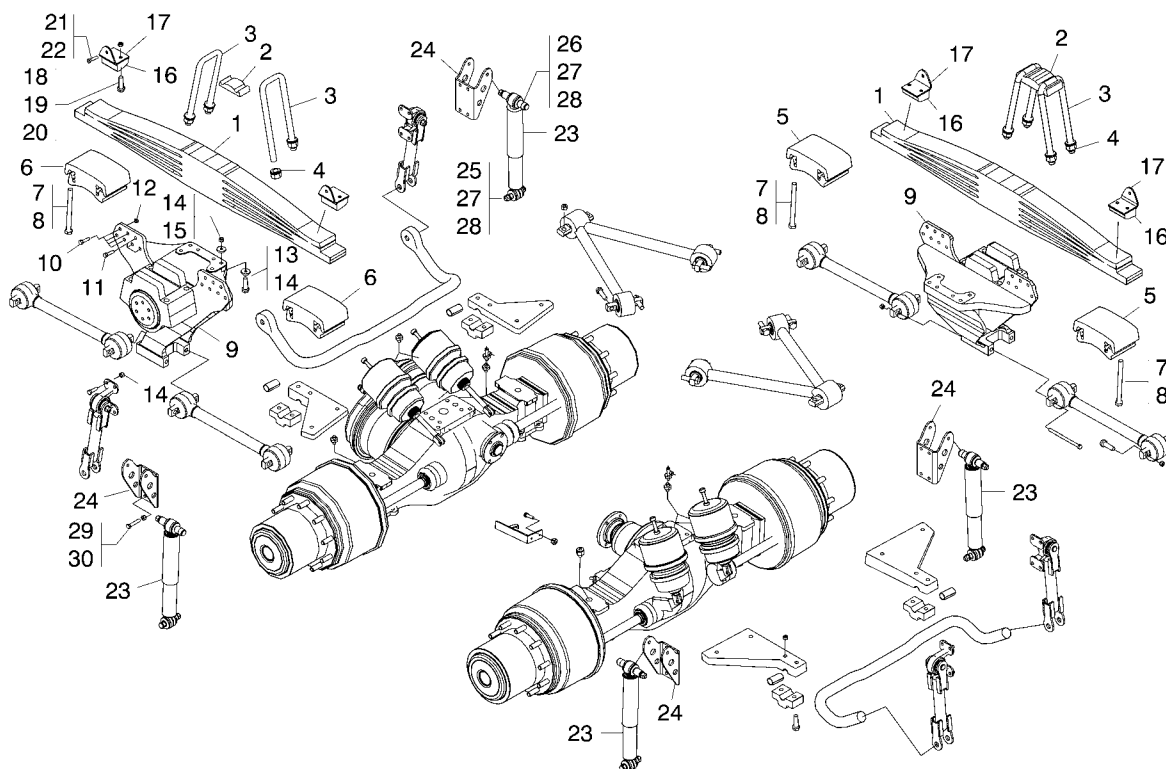
735010-740010 -->
 ▲ 40 72
 □ 41 73

735001-740001 ▲ 69
 □ 70



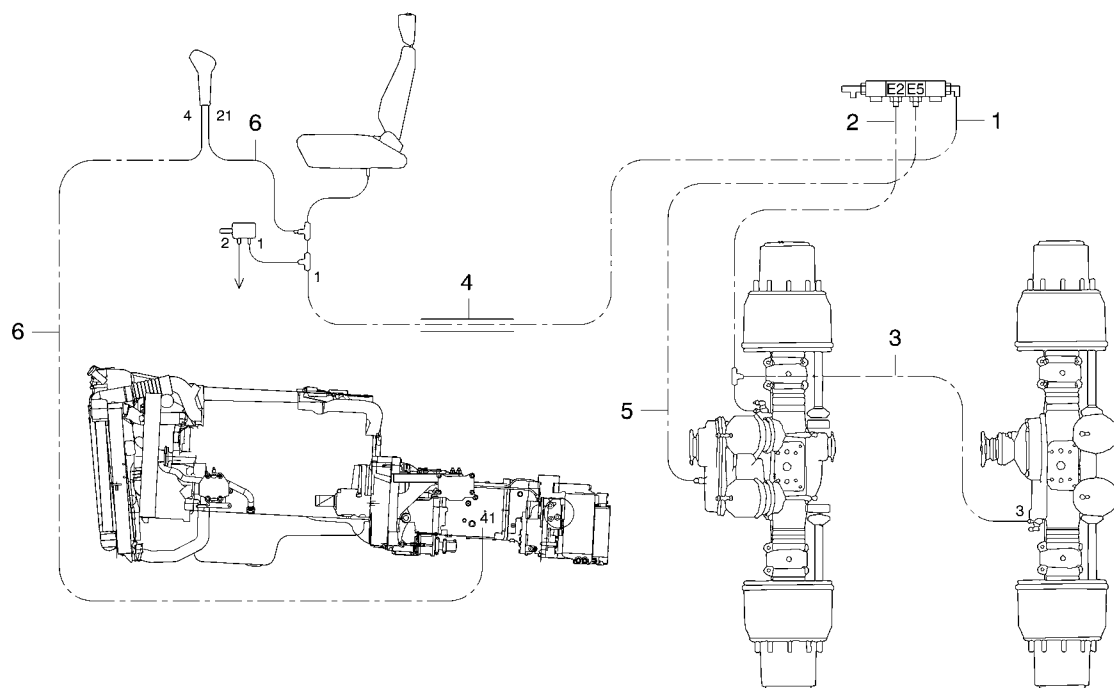
S/N : 746001-> S/N : 740046->
 S/N Euro4 : 740032-048-> S/N : 745001-> S/N : 735017->

| REP | REFERENCE | QTE | PRECO | DESIGNATION | DESCRIPTION | BESCHREIBUNG |
|-----|-----------|-----|-------|---------------------------------------|------------------------------|------------------------------|
| | | | | STABILISATEUR AVANT GAUCHE EQ. | LEFT FRONT OUTRIGGERS | LINKS ABSTUETZUNG |
| 62 | X0036016 | 1 | | GOUPILLE DE 4 SIMPLE ENROU. | SLIT PIN | SPLINT |
| 63 | Z0232552 | 1 | | VIS BHC M6X20 INOX ISO 7380 | SCREW | SCHRAUBE |
| 64 | C2334548 | 1 | | ECROU TW6 | NUT | NUT |
| 65 | D0133886 | 1 | | VIS HM 20-130-8.8 ZB ISO4014 | SCREW | SCHRUBE |
| 66 | M0534554 | 1 | | ECROU SECURITE M20X2,5 CL88 | NUT | MUTTER |
| 67 | D5545418 | 5 | | RONDELLE DI36 DE60 EP2 | WASHER | SCHEIBE |
| 68 | Z6743392 | 1 | | CLAPET (EUROMAT) | PIN | KLAPPE |
| 68 | M6543373 | 1 | | CLAPET DOUBLE PILOTE | VALVE | VENTIL |
| 69 | K5446846 | 1 | | VERIN DE 120/100 C550 | CYLINDE | ZYLINDER |
| 70 | P8749627 | 1 | | POCHETTE DE JOINTS (ISOMECANIQUE) | SEALS SET (ISOMECANIQUE) | SATZ DICHTUNG (ISOMECANIQUE) |
| 71 | B0245825 | 4 | | GRAISSEUR M10X100-90° | GREASE NIPPEL | SCHMIRNIPPEL |
| 72 | J5546895 | 1 | 1-9 | VERIN 120X100 C700 | CYLINDER | ZYLINDER |
| 73 | J8549660 | 1 | 1-4 | POCHETTE-JOINTS | SET | PACKUNG |



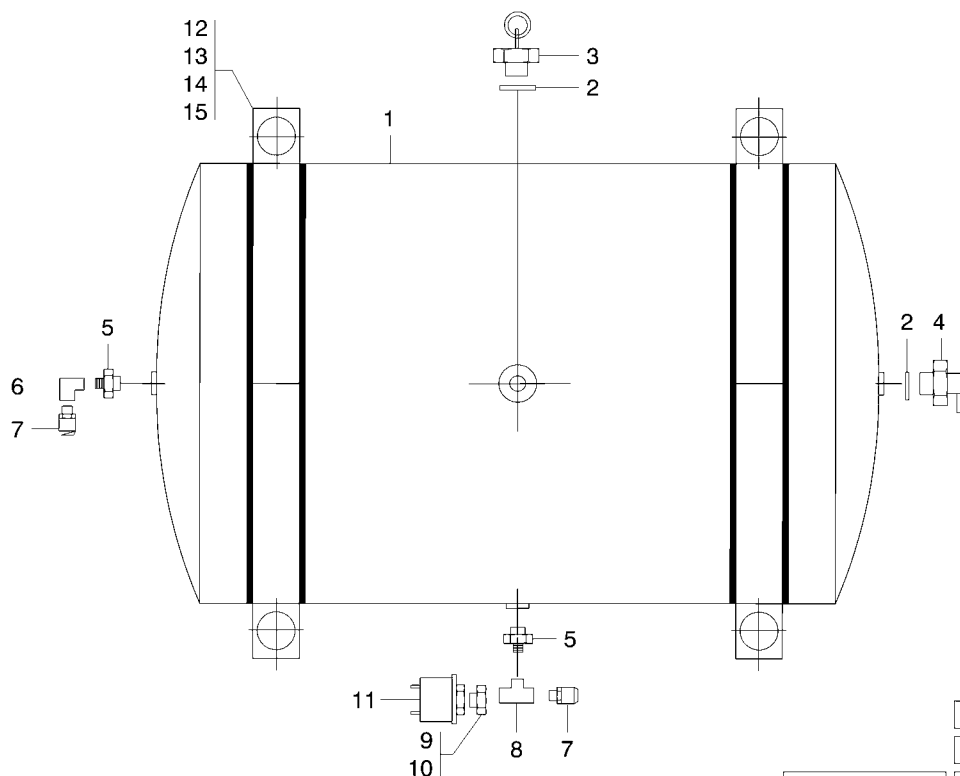
S/N : 746001-> S/N : 760001-> S/N : 740001->
S/N : 745001-> S/N : 755001-> S/N : 735001->

| REP | REFERENCE | QTE | PRECO | DESIGNATION | DESCRIPTION | BESCHREIBUNG |
|-----|-----------|-----|-------|--------------------------------------|--------------------------|---------------------|
| | | | | PONT2-PONT3 TANDEM EQUIPE | MIDDLE AXLES ASSY | FAHRACHSE2-3 |
| 1 | F0938244 | 2 | | RESSORT A LAMES PARABOLIQUE | SPRING | PARABELFEDER |
| 2 | X9003854 | 2 | | CALE SUPERIEURE | SPACER PLATE | FEDERUNGERLAGE |
| 3 | N0330775 | 4 | | ETRIER M27X2 | SPACER | FEDERBUEGEL |
| 4 | X6334589 | 8 | | ECROU FR HK M27X2 EM.CONIQUE | NUT | MUTTER |
| 5 | G0938245 | 2 | | RESSORT DROIT | SILENT BLOCK | ANSCHLAGPUFFER |
| 6 | H0938246 | 2 | | RESSORT GAUCHE | SILENT BLOCK | ANSCHLAGPUFFER |
| 7 | C6633823 | 8 | | VIS H M20X2X240/65 10.9 | SCREW | SCHRAUBE |
| 8 | D6633824 | 8 | | VIS H M20X2X260/65 10.9 | SCREW | SCHRAUBE |
| 9 | G2846118 | 2 | | SUPPORT PIVOT TANDEM | SUPPORT | TRAGSTUECK |
| 10 | T6633815 | 16 | | VIS HM14X1.5X55 10.9 EMB.CRG | SCREW | SCHRAUBE |
| 11 | U6633816 | 12 | | VIS HM14X1.5X80 10.9 EMB.CRG | SCREW | SCHRAUBE |
| 12 | H6334575 | 28 | | ECROU H M14X1.5 CL10 EMB.CRG | NUT | MUTTER |
| 13 | Q2733058 | 8 | | VIS H M18X1,5X110 10.9 | SCREW | SCHRAUBE |
| 14 | S0229073 | 16 | | RONDELLE ACIER D18 | WASHER | SCHEIBE |
| 15 | V2034553 | 8 | | ECROU SECURITE M18x1,5 | NUT | MUTTER |
| 16 | M6841476 | 4 | | TAMPON ELASTIQUE | SILENT BLOCK | ANSCHLAGPUFFER |
| 17 | J0239576 | 4 | | SUPPORT BUTEE ELASTIQUE | SUPPORT | TRAGSTUECK |
| 18 | H0033817 | 8 | | VIS HM 8X30 8.8 | SCREW | SCREW |
| 19 | F0033815 | 10 | | VIS HM 8X25/22 CL88 P | SCREW | SCHRAUBE |
| 20 | Q2034571 | 16 | | ECROU SECURITE TWOLOCK CL10 | NUT | MUTTER |
| 21 | E6133092 | 4 | | VIS FHC M14X1,5X40 10.9 | SCREW | SCHRAUBE |
| 22 | H6334575 | 4 | | ECROU H M14X1.5 CL10 EMB.CRG | NUT | MUTTER |
| 23 | C6841467 | 4 | 2-9 | AMORTISSEUR DE SUSPENSION | SHOCK ABSORBER | DAEMPFER |
| 24 | S6126020 | 4 | | SUPPORT AMORTISSEUR | SUPPORT | TRAGSTUECK |
| 25 | U2327963 | 4 | | AXE INFERIEUR | PIN | SCHEIBE |
| 26 | V2327964 | 4 | | AXE SUPERIEUR | PIN | ACHSE |
| 27 | P0528898 | 16 | | RONDELLE ACIER D16 | WASHER | WASHER |
| 28 | T6334585 | 16 | | ECROU FREIN H M16X1.5 CL10 | NUT | SCHRAUBE |
| 29 | G6633804 | 16 | | VIS HM14X1.5X35 10.9 EMB.CRG | SCREW | SCHRAUBE |
| 30 | H6334575 | 16 | | ECROU H M14X1.5 CL10 EMB.CRG | NUT | MUTTER |



| | | |
|----------------|----------------|----------------|
| S/N : 746001-> | S/N : 760001-> | S/N : 740001-> |
| S/N : 745001-> | S/N : 755001-> | S/N : 735001-> |

| REP | REFERENCE | QTE | PRECO | DESIGNATION | DESCRIPTION | BESCHREIBUNG |
|-----|-----------|------|-------|--|------------------------|----------------------------|
| | | | | LIAISON PNEUMATIQUE 4X6 | AIR 4X6 CIRCUIT | KREISLAUF 4X6 PNEU. |
| 1 | H0403611 | 8,5m | | TUYAU TECALAN 4X6 SOUPLE LG 1200 PIPE | | ROHR |
| 2 | H0403611 | 3,5m | | TUYAU TECALAN 4X6 SOUPLE LG 1200 PIPE | | ROHR |
| 3 | H0403611 | 2,7m | | TUYAU TECALAN 4X6 SOUPLE LG 1200 PIPE | | ROHR |
| 4 | P0403686 | 19m | | GAINE CARFLEX NW10 COVER | | HUELLE |
| 5 | H0403611 | 4,0m | | TUYAU TECALAN 4X6 SOUPLE LG 1200 PIPE | | ROHR |
| 6 | H1403697 | 6,5m | | TUYAU TECALAN 2,7X4 SOUPLE LG 250 PIPE | | ROHR |



S/N : 746001->

S/N : 745001->

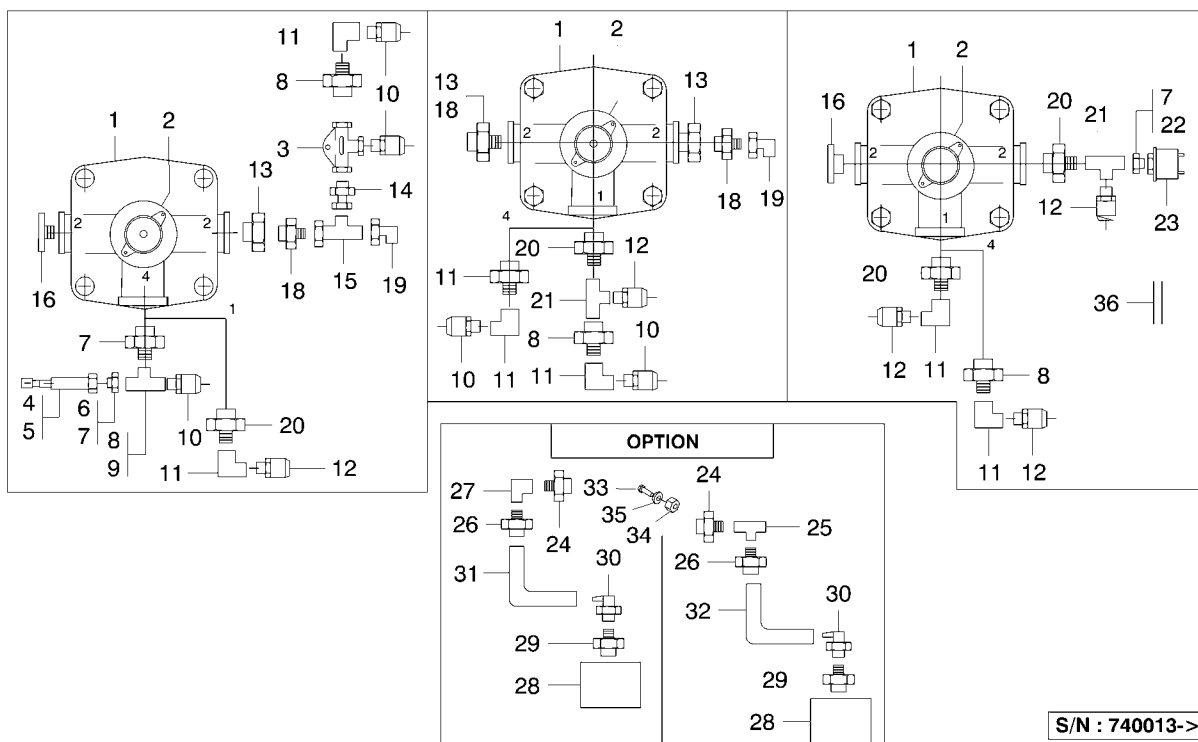
S/N : 740001->

S/N : 760001->

S/N : 735001->

S/N : 755001->

| REP | REFERENCE | QTE | PRECO | DESIGNATION | DESCRIPTION | BESCHREIBUNG |
|-----|-----------|-----|-------|---------------------------------------|------------------------|---------------------|
| | | | | BOUTEILLE AIR 30L EQUIPEE | AIR TANK ASSY | LUFTBEHALTER |
| 1 | W2340293 | 1 | | RESERVOIR AIR 30L CEE | 30L AIR TANK | LUFTBEHALTER 30L |
| 2 | G0145274 | 2 | | JOINT CUIVRE 22,2X27X1,5 | SEAL | SEAL |
| 3 | Q2643335 | 1 | | VALVE DE PURGE MANUELLE | VALVE | KLAPPE |
| 4 | C0137266 | 1 | | PRISE DE PRESSION M22X150/M16X150 | COMPRESSOR AIR CIRCUIT | ANSCHLUSS |
| 5 | J7737599 | 2 | | UNION EMBASE ORIENT. M22X150 | UNION | ANSCHLUSS |
| 6 | W6437007 | 1 | | EQUERRE EMBASE ORIENTABLE M16X1,5 | ANGLE-PIECE | WINKELSTUECK |
| 7 | A7837503 | 2 | | UNION M16X1,5 TUBE 12X16 | UNION | ANSCHLUSS |
| 8 | R6137243 | 2 | | TE EMBASE ORIENT M16X150 | T PIECE | TSTUECK |
| 9 | K3737532 | 1 | | UNION MF RED M16X150 M10X100 | UNION | ANSCHLUSS |
| 10 | F0145273 | 1 | | JOINT-CUIVRE 16,2X21X1,5 | COPPER SEAL | KUPFERDICHTUNG |
| 11 | C6841628 | 1 | 1-3 | CAPTEUR DE PRESSION 0-10B/2 BORNES | COMPRESSOR AIR CIRCUIT | DETEKTOR |
| 12 | A6436941 | 2 | | COLLIER + BANDE CAOUTCHOUC | COLLAR | SCHELLE |
| 13 | W0232619 | 4 | | VIS HM 10X30 INOX | SCREW | SCHRAUBE |
| 14 | P0445362 | 4 | | RONDELLE 11X22X2 | WASHER | SCHEIBE |
| 15 | E2334550 | 4 | | ECROU TW108.8 | NUT | MUTTER |



S/N : 740013->

S/N : 740018->

S/N : 746001->

S/N : 740001->

S/N : 745001->

S/N : 735001->

| REP | REFERENCE | QTE | PRECO | DESIGNATION | DESCRIPTION | BESCHREIBUNG |
|-----|-----------|------|-------|--|------------------------|--------------------|
| | | | | VALVES RELAIS SIMPLE PILOTE | PNEU VALVE | LUFT Klappe |
| 30 | Q4337515 | 2 | | PRISE DE PRESSION F M18X150 | COMPRESSOR AIR CIRCUIT | ANSCHLUSS |
| 31 | K1403607 | 2,65 | | TUYAU FLEXIBLE BP 6X8 | PIPE | ROHR |
| 32 | K1403607 | 2,35 | | TUYAU FLEXIBLE BP 6X8 | PIPE | ROHR |
| 33 | E0532937 | 1 | | VIS CHC M8X110 CL 8.8 | SCREW | SCHRAUBE |
| 34 | D2334549 | 1 | | ECROU H M8 TWOLOK CL8 | NUT | NUT |
| 35 | Q0445409 | 4 | | RONDELLE 8,5X26X5 | WASHER | SCHEIBE |
| 36 | P0403686 | 2,55 | | GAINE CARFLEX NW10 | COVER | HUELLE |

CLICK HERE TO **DOWNLOAD** THE COMPLETE MANUAL

- Thank you very much for reading the preview of the manual.
- You can download the complete manual from: www.heydownloads.com by clicking the link below



- Please note: If there is no response to CLICKING the link, please download this PDF first and then click on it.

CLICK HERE TO **DOWNLOAD** THE COMPLETE MANUAL