

[CLICK HERE FOR
TRACTOR
TABLE OF CONTENTS](#)

[CLICK HERE FOR
TRACTOR OPTIONAL
TABLE OF CONTENTS](#)

[CLICK HERE FOR
TRAILER
TABLE OF CONTENTS](#)

[CLICK HERE FOR
TRAILER OPTIONAL
TABLE OF CONTENTS](#)



TEREX

Parts Book

[CLICK HERE TO RETURN TO
MAIN LIBRARY INDEX](#)

**Part Number
15272722**

TA25/TA27 Articulated Truck

(Cummins 6CTA 8.3-C240 Powered with ZF 6WG210 Transmission)

Serial No. A7581001 to A7581446

28 Sept 98
Revised Feb 01

PUBLISHED BY:
TECHNICAL PUBLICATIONS DEPARTMENT

TEREX EQUIPMENT LIMITED
MOTHERWELL, SCOTLAND

CLICK HERE TO **DOWNLOAD** THE COMPLETE MANUAL

- Thank you very much for reading the preview of the manual.
- You can download the complete manual from: www.heydownloads.com by clicking the link below



- Please note: If there is no response to CLICKING the link, please download this PDF first and then click on it.

CLICK HERE TO **DOWNLOAD** THE COMPLETE MANUAL

THIS PAGE IS INTENTIONALLY LEFT BLANK

100-0070-7591 FENDERS AND MOUNTING
FROM SERIAL NO. A7581141

100-0070-7591 FENDERS AND MOUNTING
FROM SERIAL NO. A7581141

NC	REF	QTY	PART NO.	DESCRIPTION	SER.NO. FROM	SER.NO. TO
001	001		15258262	FENDER ASSY-LH		
002	001		15247763	SUPPORT-FENDER LH		
003	001		15247769	PANEL-LH		
004	003		00179837	BOLT		
005	004		06351030	BOLT		
006	006		07151020	WASHER		
007	001		15258261	FENDER ASSY-RH		
008	001		15303239	FENDER SUPPORT ASSY		
009	004		09267949	WASHER-HARDENED		
010	004		00179892	BOLT		
011	006		06471001	LOCKNUT		
012	002		15255698	STEP ASSY		
013	001		15256043	PLATE-SUPPORT		
014	004		00274209	LOCKNUT		
015	002		06351035	BOLT		
016	002		15305454	PLATE		
017	008		06350625	BOLT		
018	008		07150620	WASHER		
019	002		15305455	CLIP		
020	002		15306568	CHAIN ASSEMBLY		
021	002		15305456	STRAP		
022	001		15228110	TUBE		
023	001		09366021	GRIP		
024	006		00179889	BOLT		
025	003		09267660	WASHER		
026	005		00274209	LOCKNUT		
027	002		00179889	BOLT		
028	004		00108580	LOCKWASHER		
029	004		00106265	WASHER		
030	011		09368561	BEADING		
031	001		15248041	PLATE-BENT		
032	004		00179835	BOLT		
033	002		15228892	MUDFLAP	A7581141	A7581196
033	002		15305444	MUD FLAP	A7581197	
034	001		15256621	GUARD-SPILL		
035	002		06471201	LOCKNUT		
036	001		15304331	GUARD		
037	002		15228893	BAR		
038	006		00179820	BOLT		
039	008		00103320	LOCKWASHER		

NC	REF	QTY	PART NO.	DESCRIPTION	SER.NO. FROM	SER.NO. TO
040	008		00102634	NUT		
041	002		00179817	BOLT	A7581197	
042	002		00446362	WASHER	A7581197	

110-0050-7591 AIR CLEANER
 SERIAL NO. A7581001 TO A7581103

NC	REF	QTY	PART NO.	DESCRIPTION	SER.NO. FROM	SER.NO. TO
001	001		09079412	AIR CLEANER ASSY		
002	001		09396296	.COVER		
003	001		09396294	.ELEMENT		
004	001		09396295	.ELEMENT		
005	001		09027701	.GASKET		
006	001		09396298	.NUT & GASKET		
007	001		09396299	.NUT & GASKET		
008	001		09032514	.VALVE-VACUATOR		

110-0070-7591 EXHAUST AND MOUNTING
FROM SERIAL NO. A7581001

NC	REF	QTY	PART NO.	DESCRIPTION	SER.NO. FROM	SER.NO. TO
	001	001	15302914	SILENCER-DOUBLE SKIN		
	002	001	15238171	TUBE		
	003	002	15229083	CLAMP		
	004	001	15229094	TUBE		
	005	001	09204029	CLAMP		
	006	002	00179839	BOLT		
	007	003	00274208	LOCKNUT		
	008	001	15301771	GUARD		
	009	001	15301770	STACK-DOUBLE SKINNED		
	010	002	15255960	BOSS		
	011	001	15245661	ELBOW		
	012	001	15255368	PLATE		
	013	001	15256393	TUBE-EXHAUST		
A	014	001	15302164	TUBE ASSEMBLY EXHAUST	A7581134	
	015	001	15245049	CLAMP ASSY		
	016	004	09017439	CLAMP		
	017	002	15240002	BOLT		
	018	005	09270000	WASHER-HARDENED		
	019	004	07161230	LOCKWASHER		
	020	002	15245828	BOLT		
	021	001	06351025	BOLT		
	022	001	09012008	SPACER		
	023	001	00179847	BOLT		
	024	004	09267660	WASHER		
	025	001	15256153	FLANGE-EXHAUST		
	026	001	15256581	PLATE ASSY		
	027	004	06431201	NUT		
	028	004	06351290	BOLT		

NOTES:

A 15302164 REPLACES 1 OFF EACH 15248983 ELBOW AND 15256168 TUBE ASSY.

120-0020-7591 TRANSMISSION BREAKDOWN
FROM SERIAL NO. A7581301

NC	REF	QTY	PART NO.	DESCRIPTION	SER.NO. FROM	SER.NO. TO
----	-----	-----	----------	-------------	-----------------	---------------

A	001	001	15309578	TRANSMISSION-6WG210		
---	-----	-----	----------	---------------------	--	--

NOTES:

A FOR TRANSMISSION BREAKDOWN REFER TO STANDARD TABLE OF CONTENTS. FOR TRANSMISSION OVERHAUL USE 15272480 COMPLETE SET OF SEALS AND 15272534 FLAT GASKET SET.

120-0100-7591 FILTER

SERIAL NO. A7581001 TO A7581300

NC	REF	QTY	PART NO.	DESCRIPTION	SER.NO. FROM	SER.NO. TO
001	002		15272642	CAP SCREW		
002	002		15267535	WASHER		

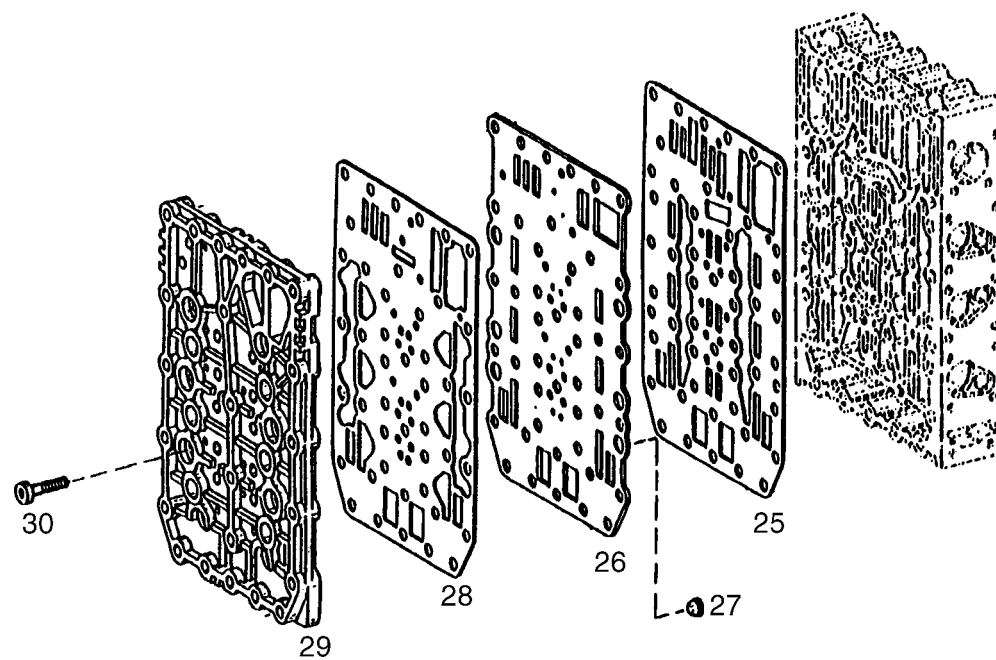
120-0390-7591 TORQUE CONVERTER
SERIAL NO. A7581001 TO A7581300

NC	REF	QTY	PART NO.	DESCRIPTION	SER.NO. FROM	SER.NO. TO
----	-----	-----	----------	-------------	-----------------	---------------

001	001		15272431	CONVERTER		
-----	-----	--	----------	-----------	--	--

120-0410-7591 INDUCTIVE TRANSMITTER
FROM SERIAL NO. A7581301

NC	REF	QTY	PART NO.	DESCRIPTION	SER.NO. FROM	SER.NO. TO
001	003		15271704	TRANSMITTER		
002	001		15274205	TRANSMITTER		
003	001		15272651	CAP SCREW		
004	001		15272652	SCREW PLUG		
005	001		15269305	O RING		
006	001		15274206	CAP		



THIS PAGE IS INTENTIONALLY LEFT BLANK

120-0475-7591 COUPLING K3
 SERIAL NO. A7581001 TO A7581300

NC	REF	QTY	PART NO.	DESCRIPTION	SER.NO. FROM	SER.NO. TO
001	001		15272551	SHAFT		
002	001		15272492	STUD		
003	001		15272530	DISC CARRIER		
004	001		15272531	PISTON CPL		
005	001		15272532	O-RING		
006	001		15272533	O-RING		
007	007		15272534	FLAT GASKET SET		
008	001		15272498	RETAINING RING		
009	001		15272536	SNAP RING		
010	001		15272537	O. CLUTCH DISC		
011	007		15272538	O. CLUTCH DISC		
012	007		15272539	I. CLUTCH DISC		
013	001		15272428	END SHIM		
014	001		15272548	SNAP RING		
014	001		15272547	SNAP RING		
014	001		15272543	SNAP RING		
014	001		15272542	SNAP RING		
014	001		15272541	SNAP RING		
014	001		15272540	SNAP RING		
014	001		15272545	SNAP RING		
014	001		15272544	SNAP RING		
014	001		15272483	SNAP RING		
014	001		15272482	SNAP RING		
014	001		15272481	SNAP RING		
014	001		15272529	SNAP RING		
014	001		15272439	SNAP RING		
014	001		15272485	SNAP RING		
014	001		15272546	SNAP RING		
015	001		15272552	IDLER		
016	002		15272505	RUNNING DISC		
017	002		15272506	AX. NEEDLE CAGE		
018	002		15272507	AXIAL WASHER		
019	001		15272458	NEEDLE CAGE		
020	001		15272511	ROLLER BEARING		
021	001		15272510	ROLLER BEARING		
022	002		15272512	PISTON RING		

120-0495-7591 COUPLING KV
 FROM SERIAL NO. A7581301

NC	REF	QTY	PART NO.	DESCRIPTION	SER.NO. FROM	SER.NO. TO
001	001		15272563	SHAFT		
002	001		15272491	ORIFICE		
003	001		15272492	STUD		
004	001		15272564	DISC CARRIER		
005	001		15272557	PISTON CPL		
006	001		15272532	O-RING		
007	001		15272558	O-RING		
008	001		15272565	WASHER		
009	001		15272498	RETAINING RING		
010	001		15272566	COMPR. SPRING		
011	001		15272499	SNAP RING		
012	001		15272500	O. CLUTCH DISC		
013	010		15272501	O. CLUTCH DISC		
014	010		15272502	I. CLUTCH DISC		
015	001		15272503	END SHIM		
016	001		15272513	RING		
016	001		15272514	RING		
016	001		15272527	RING		
016	001		15272520	RING		
016	001		15272521	RING		
016	001		15272522	RING		
016	001		15272523	RING		
016	001		15272524	RING		
016	001		15272515	RING		
016	001		15272516	RING		
016	001		15272517	RING		
016	001		15272518	RING		
016	001		15272519	RING		
016	001		15272525	RING		
016	001		15272526	RING		
017	001		15272567	IDLER		
018	001		15272568	NEEDLE CAGE		
019	001		15272571	BALL BEARING		
020	001		09397714	CIRCLIP		
021	001		09399234	RING-RETAINER		
022	001		15272569	ROLLER BEARING		
023	001		15272569	ROLLER BEARING		
024	002		15272512	PISTON RING		

120-0515-7591 EMERGENCY STEERING PUMP
SERIAL NO. A7581001 TO A7581300

NC	REF	QTY	PART NO.	DESCRIPTION	SER.NO. FROM	SER.NO. TO
001	001		15272643	COVER		
002	001		15272645	GASKET		
003	001		15271858	PUMP		
004	023		15272647	CAP SCREW		
005	004		15272648	CAP SCREW		
006	001		15272650	PLAIN BEARING		

120-0540-7591 DIFFERENTIAL
 FROM SERIAL NO. A7581301

NC	REF	QTY	PART NO.	DESCRIPTION	SER.NO. FROM	SER.NO. TO
001	001		15272572	OUTPUT SHAFT		
002	001		15272573	OUTPUT GEAR		
003	002		15272574	ROLLER BEARING		
004	001		15266899	WASHER		
005	002		15274188	SCREW		
006	001		15271640	TAB WASHER		
007	001		15272575	O-RING		
008	001		09398170	SEAL		
009	001		15272576	BALL BEARING		
010	001		09397919	CIRCLIP		
011	001		15272577	PLANET CARRIER		
012	006		09398124	PINION		
013	006		09398126	PIN		
014	012		09397988	WASHER-THRUST		
015	006		09397929	PIN		
016	162		09398171	ROLLER		
017	001		09398122	WASHER-THRUST		
018	001		09398123	WASHER-THRUST		
019	001		15271889	FLANGE-OUTPUT		
020	018		15272578	CAP SCREW		
021	001		15272579	DIFF. COVER		
022	001		15272580	SUN. GEAR		
023	001		09397951	BUSHING		
024	001		09397954	BUSHING		
025	001		15272581	QUILL SHAFT		
026	001		15272582	SNAP RING		
027	001		15274189	DIAPHRAGM		
028	001		15274190	SCREEN SHEET		
029	001		15274191	SCREEN SHEET		

120-0590-7591 SPEEDOMETER
SERIAL NO. A7581001 TO A7581300

NC	REF	QTY	PART NO.	DESCRIPTION	SER.NO. FROM	SER.NO. TO
001	001		09397809	PLUG		
002	001		15265435	O RING		

120-0640-7591 FILLER NECK
FROM SERIAL NO. A7581301

NC	REF	QTY	PART NO.	DESCRIPTION	SER.NO. FROM	SER.NO. TO
001	002		15271244	GASKET		
002	002		15272653	COVER PLATE		
003	004		15272649	SCREW		

140-0020-7591 AXLE GROUP-FRONT
SERIAL NO. A7581001 TO A7581201

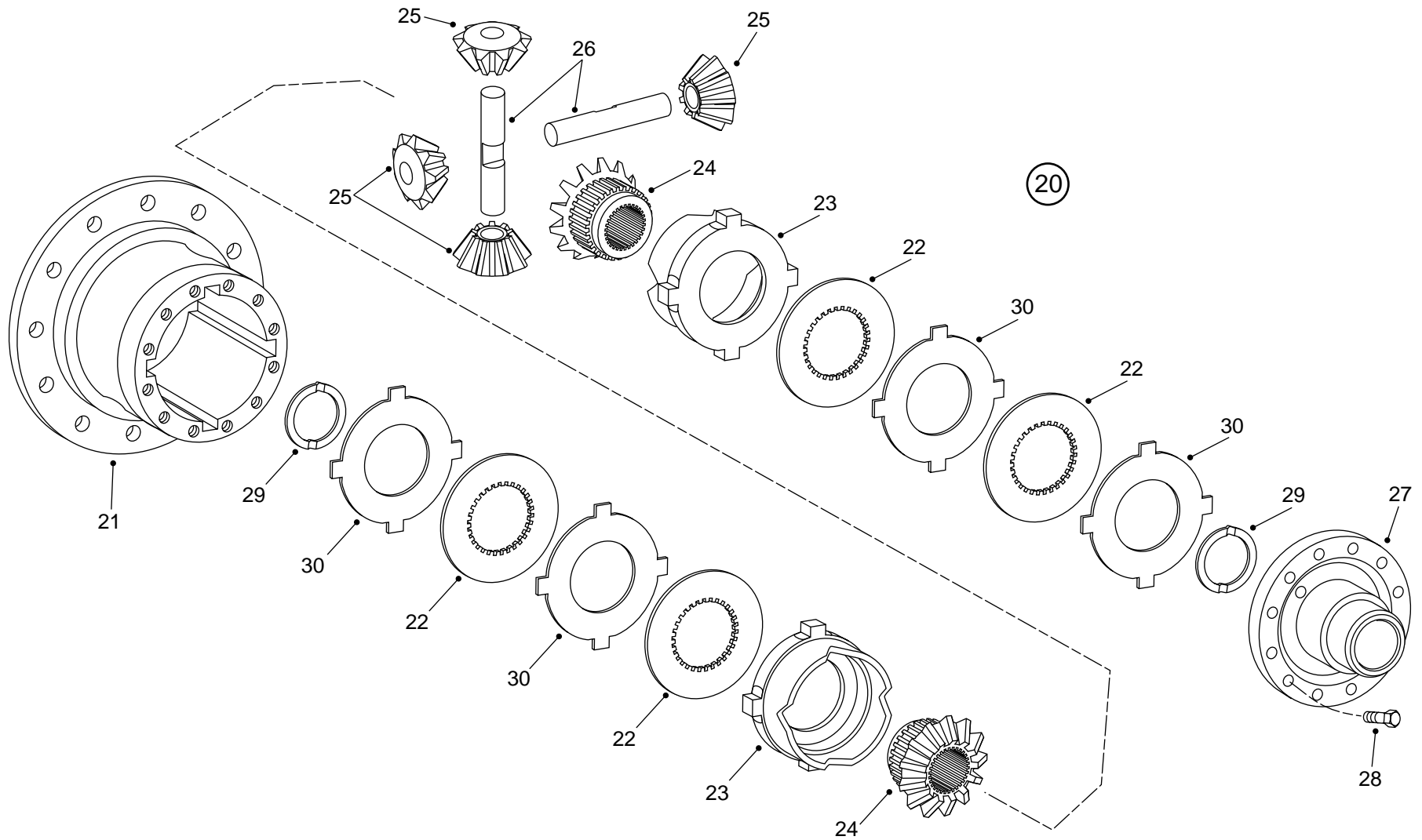
NC	REF	QTY	PART NO.	DESCRIPTION	SER.NO. FROM	SER.NO. TO
001	001		15266834	HOUSING-AXLE		
002	002		15249911	DUSTCAP		
003	001		09398509	PLUG		
004	001		09398510	SEAL		
005	001		15265732	PLUG		
006	001		09398260	SEAL		
007	001		15267933	PLATE		
008	004		09397927	PIN-GROOVED		
009	016		15267698	LOCK SCRE		
010	003		15266769	PIN		
011	003		15266770	PIN		
012	001		15265774	SHAFT-LONG 1061 MM		
013	001		15265764	SHAFT-SHORT 981 MM		

140-0030-7591 PLANETARY GEARING-FRONT
FROM SERIAL NO. A7581327

NC	REF	QTY	PART NO.	DESCRIPTION	SER.NO. FROM	SER.NO. TO
001	002		15273836	CARRIER-HUB		
002	002		15267130	.NUT		
003	002		15271037	SHIM (1.85 MM)		
003	002		15271038	SHIM (1.80 MM)		
003	002		15271039	SHIM (1.75 MM)		
003	002		15271040	SHIM (1.70 MM)		
003	002		15271053	SHIM (1.05 MM)		
003	002		15271054	SHIM (1.00 MM)		
003	002		15271036	SHIM (1.90 MM)		
003	002		15271042	SHIM (1.60 MM)		
003	002		15271043	SHIM (1.55 MM)		
003	002		15271044	SHIM (1.50 MM)		
003	002		15271045	SHIM (1.45 MM)		
003	002		15271046	SHIM (1.40 MM)		
003	002		15271041	SHIM (1.65 MM)		
003	002		15271050	SHIM (1.20 MM)		
003	002		15271051	SHIM (1.15 MM)		
003	002		15271031	SHIM (2.15 MM)		
003	002		15271032	SHIM (2.10 MM)		
003	002		15271034	SHIM (2.00 MM)		
003	002		15271035	SHIM (1.95 MM)		
003	002		NLA	SHIM (1.25 MM)		
003	002		15271055	SHIM (0.95 MM)		
003	002		15271056	SHIM (0.90 MM)		
003	002		15271057	SHIM (0.85 MM)		
003	002		15271052	SHIM (1.10 MM)		
003	002		15271047	SHIM (1.35 MM)		
003	002		15271048	SHIM (1.30 MM)		
004	018		15271010	SCREW		
005	020		15271009	SCREW		
006	038		09398516	WASHER		
007	002		15271058	SLOT PIN		
008	002		15271059	SLOT PIN		
009	002		15274156	BEARING		
010	002		15267615	BEARING ASSY		
011	002		15266689	SEAL		
012	002		15266771	HUB		
013	024		15273358	BOLT		
014	024		09398526	NUT-WHEEL		
015	024		09398525	LOCKWASHER		

140-0030-7591 PLANETARY GEARING-FRONT
FROM SERIAL NO. A7581327

NC	REF	QTY	PART NO.	DESCRIPTION	SER.NO. FROM	SER.NO. TO
016	002		15265770	WASHER-TAB		
017	004		15265735	SCREW		
018	002		15265768	RING-GEAR		
019	002		15265765	SHAFT-SUN GEAR		
020	002		15270193	CARRIER		
021	002		15270194	PLUG-SCREW		
022	002		15266917	O RING		
023	008		15265771	GEAR-PLANETARY		
024	008		15265676	RING-RETAINER		
025	002		15265710	WASHER (3.50 MM)		
025	002		15265709	WASHER (3.30 MM)		
025	002		15267703	WASHER (4.80 MM)		
025	002		15267702	WASHER (4.10 MM)		
025	002		15267701	WASHER (3.90 MM)		
025	002		15265705	WASHER (6.50 MM)		
025	002		15273811	WASHER (7.00 MM)		
025	002		15273810	WASHER (6.80 MM)		
025	002		15265702	WASHER (5.00 MM)		
025	002		15265703	WASHER (6.00 MM)		
025	002		15265704	WASHER (6.30 MM)		
025	002		15267708	WASHER (1.90 MM)		
025	002		15267707	WASHER (7.50 MM)		
025	002		15267706	WASHER (5.60 MM)		
025	002		15267704	WASHER (5.20 MM)		
025	002		15267705	WASHER (5.40 MM)		
025	002		15267710	WASHER (1.80 MM)		
025	002		15267700	WASHER (3.70 MM)		
025	002		15265706	WASHER (2.70 MM)		
025	002		15265707	WASHER (2.90 MM)		
025	002		15265708	WASHER (3.10 MM)		
025	002		15267709	WASHER (1.70 MM)		
026	048		09398543	SCREW		
027	002		15265680	O RING		
028	002		09398509	PLUG		
029	002		15272377	DRIVER		
030	002		15265763	WASHER-THRUST		
031	004		15265677	PIN-GROOVED		



165-0010-7591 BRAKE PARTS-ARTICS

SERIAL NO. A7581202 TO A7581326

NC	REF	QTY	PART NO.	DESCRIPTION	SER.NO. FROM	SER.NO. TO
A	001	002	15265397	BRAKE HEAD ASSY		
	002	004	09051432	.VALVE-BLEEDER		
	003	008	09054402	.SCREW		
	004	004	15265338	.PIN		
	005	004	15265398	.CARRIER-LINING SET		
	006	004	15265399	.PIN		
	007	012	15265339	.BOLT		
	008	012	15265340	.WASHER		
	009	002	15265400	.PLATE		
	010	004	15265342	.PLUG		
	011	008	15265344	.PISTON		
	012	002	15265401	.KIT-SEAL		
	013	001	15271061	SLOT PIN		
	014	001	15273814	PLATE-ANCHOR		
	015	006	15265671	SCREW		
	016	006	09398516	WASHER		
	017	012	15265672	SCREW		
	018	012	09398725	WASHER		
	019	001	15265673	DISC		
	020	004	15273638	SLOT PIN		
	021	004	15273815	PIN		
	022	001	15305863	SPLASH GUARD		
	023	004	06351220	BOLT		
	024	004	09250715	WASHER-HARDENED		

NOTES:

A QUANTITIES SHOWN ARE FOR A COMPLETE AXLE ASSEMBLY

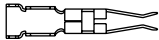
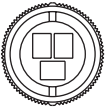
180-0020-7591 FRONT SUSPENSION
FROM SERIAL NO. A7581001

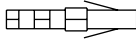
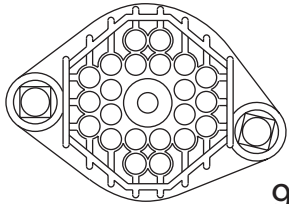

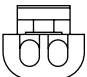
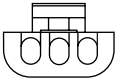
NC	REF	QTY	PART NO.	DESCRIPTION	SER.NO. FROM	SER.NO. TO
001	004		15237786	SHOCK ABSORBER		
002	002		15274970	.RUBBER SET		
003	004		00106270	WASHER		
004	002		00273852	LOCKNUT		
005	001		15237285	ROD		
006	001		15237286	JOINT-RUBBER		
007	003		00103339	WASHER		
008	001		00179801	BOLT		
009	002		00109084	NUT		
010	001		15245628	SUSPENSION FRAME		
011	008		15245572	BOLT		
012	008		09419495	NUT		
013	002		15238645	PIN-MOUNTING		
014	002		15225479	WASHER-WEAR		
015	012		15225480	SHIM		
016	002		09167506	BEARING		
017	008		00179885	BOLT		
018	008		00103329	LOCKWASHER		
019	002		09411010	FITTING-GREASE		
020	002		00784190	PIN-DOWEL		
021	008		15226236	SHIM		
022	002		15226008	SPRING ASSY-AIR		
023	002		09396973	.BELLOWS		
024	004		09396974	.RING-CLAMP		
025	002		09396975	.PLATE-CLAMP		
026	002		09396976	.PLATE		
027	002		09396977	.RING		
028	002		09396978	.BUMPSTOP		
029	002		09396979	.NUT		
030	016		15226657	.NUT HEX NYLON WASHER		
031	002		09355771	NUT		
032	002		00186729	BOLT		
033	002		15251539	PLATE-BENT		
034	001		15237901	CHAIN		
035	001		00120423	LOCKWASHER		
036	001		15237497	VALVE-LEVELLING		
037	012		15251642	WASHER-HARDENED		
038	002		09237379	BOLT		

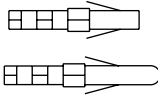

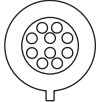
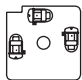


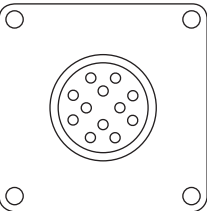
190-0011-7591 TERMINALS
 FROM SERIAL NO. A7581001

DRAWING NO. P9337F

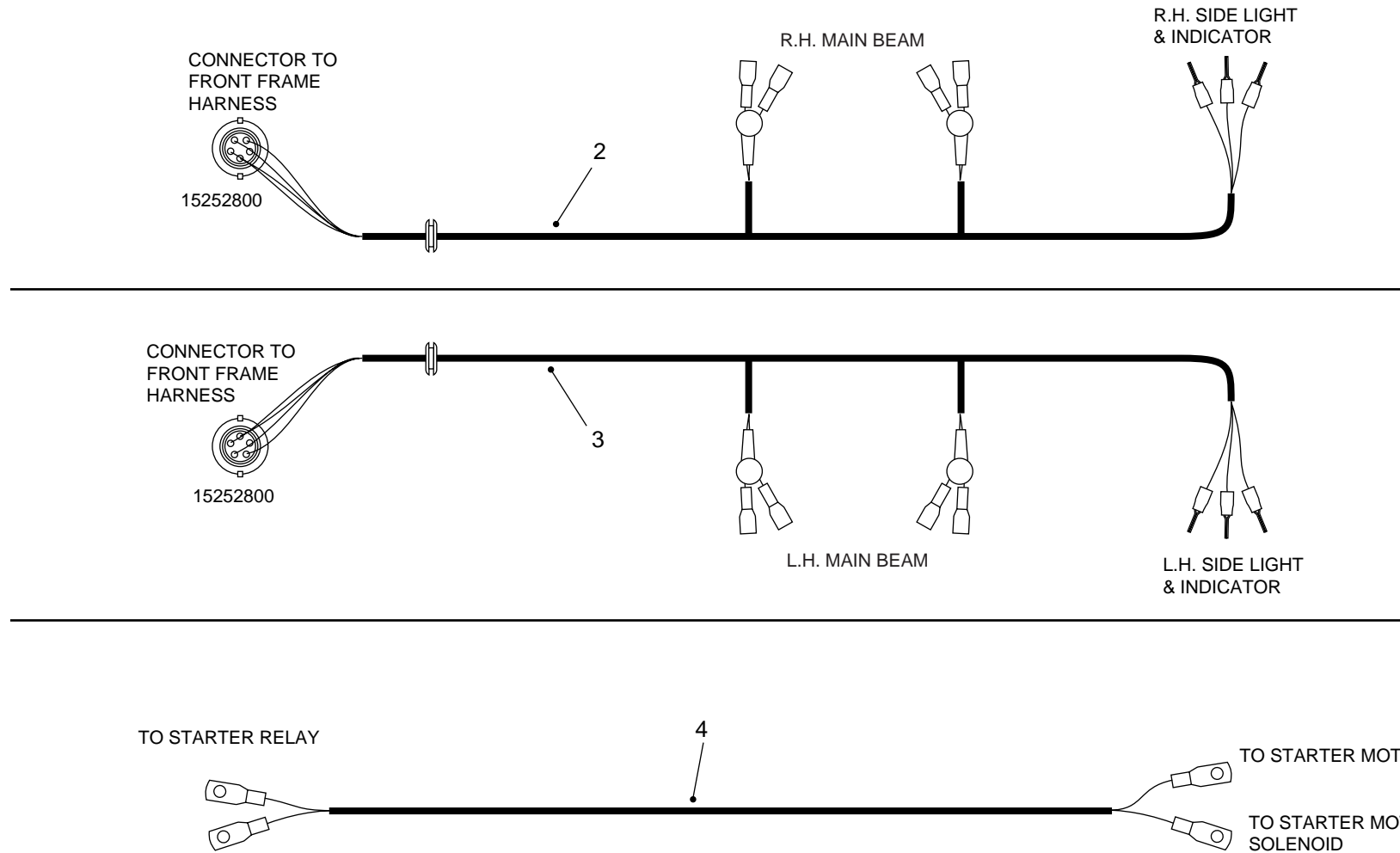
P9337

TERMINAL; FEMALE SPADE, 6.0mm SUITABLE CONNECTORS;- 		
OUTLINE	TYPE	PART NO
 93	AMPL IVERSAL	15254386

TERMINAL; SOCKET, PACKARD SUITABLE CONNECTORS;- 		
OUTLINE	TYPE	PART NO
 94	PACKARD	15248438
 95	PACKARD	15253703
 96	PACKARD	15250847
 97	PACKARD	15248424

TERMINAL; PIN/SOCKET, CANNON SUITABLE CONNECTORS;- 		
 98	CANNON (10)	15234478
 99	CANNON (10)	15234479
TERMINALS SUPPLIED OR NOT REQ'D SUITABLE CONNECTORS;-		
OUTLINE	TYPE	PART NO
 100	DIN 43650	15232617
 101		09241277
 102	SUCO	09241277
 103	A.B. CONTROLS	09380580

P9859



190-0040-7591 CABLES/HARNESSES-CHASS/ENG
FROM SERIAL NO. A7581186

NC	REF	QTY	PART NO.	DESCRIPTION	SER.NO. FROM	SER.NO. TO
001	001		15303125	HARNESSES-FRONT FRAME	A7581186	A7581326
001	001		15308073	HARNESSES-FRONT FRAME	A7581327	
002	001		15302675	HARNESSES-HEADLIGHTS RH		
003	001		15302676	HARNESSES-HEADLIGHTS LH		
004	001		15255090	HARNESSES-POWER START		
005	001		15302322	HARNESSES-ENGINE		
006	001		15306233	HARNESSES-BATTERY BOX		
007	001		15305083	HARNESSES-TRANS 6WG210		

190-0110-7591 ALTERNATOR
FROM SERIAL NO. A7581001

NC	REF	QTY	PART NO.	DESCRIPTION	SER.NO. FROM	SER.NO. TO
----	-----	-----	----------	-------------	-----------------	---------------

A	001	001	19010111	.ALTERNATOR ASSY-S.W.E		
---	-----	-----	----------	------------------------	--	--

NOTES:

A PART OF ENGINE ASSEMBLY 15303542

CLICK HERE TO **DOWNLOAD** THE COMPLETE MANUAL

- Thank you very much for reading the preview of the manual.
- You can download the complete manual from: www.heydownloads.com by clicking the link below



- Please note: If there is no response to CLICKING the link, please download this PDF first and then click on it.

CLICK HERE TO **DOWNLOAD** THE COMPLETE MANUAL

190-0300-7591 RADIO CASSETTE AND SPEAKERS
 FROM SERIAL NO. A7581134

NC	REF	QTY	PART NO.	DESCRIPTION	SER.NO. FROM	SER.NO. TO
001	001		15257196	RADIO/CASSETTE-12V		
002	002		15256599	SPEAKER (SINGLE)		
003	001		15305080	PLATE-VOLTAGE CONVERTO		
004	004		06350512	BOLT		
005	004		06430501	NUT		
006	001		15305082	DC/DC CONVERTOR ASSEMB		
007	001		15305085	ADAPTOR HARNESS-VOLTAG		
008	004		07150510	WASHER		
009	004		07160530	LOCKWASHER		
010	001		15304285	HARNESS-RADIO CASS.		
011	001		15256444	RELAY		

200-0050-7591 ACCELERATOR LINKAGE

SERIAL NO. A7581001 TO A7581053

NC	REF	QTY	PART NO.	DESCRIPTION	SER.NO. FROM	SER.NO. TO
001	001		15231440	PEDAL-ACCELERATOR		
002	001		15256473	CABLE-ACCELERATOR		
003	001		15231442	KIT-BOOT ASSY		
004	001		15231443	JOINT-BALL		
005	003		00179799	BOLT		
006	002		00103319	LOCKWASHER		
007	003		00109084	NUT		
008	001		15302366	PLATE ASSY - CONTROL M		
009	006		06350820	SCREW		
010	006		07160830	LOCKWASHER		
011	001		15302320	PLATE - BENT		
012	002		15302333	SPACER		
013	001		15302304	PLATE - BENT - ACCELER		
014	001		15302401	BRACKET ASSY - POTENTI		
015	001		15302176	LEVER - ACCELERATOR		
016	002		06350835	SCREW		
017	002		07160830	LOCKWASHER		
018	002		06430601	NUT		
019	001		07160630	UNTERLEGSSCHEIBE		
020	002		07150815	WASHER		
021	002		06351020	BOLT		
022	002		07161030	LOCKWASHER		
023	002		06350820	SCREW		
024	002		06350616	BOLT		
025	001		09100399	SPRING		
026	002		09056269	CLIP		
027	002		06350612	SCREW		
028	002		06470801	NUT		
029	002		07150620	WASHER		
030	003		00103319	LOCKWASHER		
031	001		06470601	LOCKNUT		
032	001		15256596	PIPE CLAMP-10MM OD		
033	002		00179801	BOLT		
034	002		00103319	LOCKWASHER		
035	001		15302189	ROD - THREADED		
036	002		15010013	ROD END		
037	002		00114492	LOCKNUT		
038	001		00174916	WASHER		
039	002		06350625	BOLT		
040	002		06350620	SCREW		

200-0050-7591 ACCELERATOR LINKAGE

SERIAL NO. A7581001 TO A7581053

NC	REF	QTY	PART NO.	DESCRIPTION	SER.NO. FROM	SER.NO. TO
041	001		07150620	WASHER		

210-0020-7591 RADIATOR MOUNTING
FROM SERIAL NO. A7581001

NC	REF	QTY	PART NO.	DESCRIPTION	SER.NO. FROM	SER.NO. TO
001	002		15237915	MOUNTING-RUBBER		
002	002		00179892	BOLT		
003	002		09024430	WASHER		
004	006		00274209	LOCKNUT		
005	001		15255826	FILLER NECK ASSEMBLY		
006	002		15252288	BRACKET		
007	001		09024628	GASKET		
008	004		00179838	BOLT		
009	004		00179883	BOLT		
010	004		00103329	LOCKWASHER		
011	008		00114498	LOCKNUT		
012	001		15257056	FAN GUARD		
013	010		00179841	BOLT		
014	005		00108580	LOCKWASHER		
015	001		15255855	RADIATOR COWL		
016	002		15247465	STRAP		
017	010		00179818	BOLT		
018	010		00103320	LOCKWASHER		
019	002		15252292	ROD		
020	006		09270000	WASHER-HARDENED		
021	002		15246351	WASHER		
022	007		00274208	LOCKNUT		
023	002		15246339	MOUNTING		
024	002		15246350	WASHER		
025	001		09066282	CAP ASSY		

220-0010-7591 STEERING LINES

FROM SERIAL NO. A7581150

NC	REF	QTY	PART NO.	DESCRIPTION	SER.NO. FROM	SER.NO. TO
001	001		15303627	HOSE ASSY (ORFS) -16MP		
002	001		15302889	ADAPTOR-REDUCER 1.88 U		
003	001		15244830	ELBOW		
004	001		15300944	ELBOW (90 DEG) M26 X 1		
005	001		15303628	HOSE ASSY (ORFS) -12HP		
006	001		15300943	ADAPTOR M22 X 1.5 (M)		
007	001		15255890	ELBOW		
008	001		15302886	HOSE ASSY (ORFS) -12HP		
009	002		15253094	ADAPTOR		
010	001		15251950	TEE		
011	001		15251945	ELBOW		
012	002		15302884	HOSE ASSY (ORFS) -12HP		
013	002		15302887	HOSE ASSY (ORFS) -12HP		
014	007		15253095	ADAPTOR		
015	002		15252902	TEE		
016	001		15302885	HOSE ASSY (ORFS) -12MP		
017	002		15251982	ADAPTOR		
018	002		15252983	ELBOW		
019	001		15251981	ELBOW		
020	001		15302599	HOSE ASSY (ORFS-S/F) -		
021	001		15257392	ELBOW MALE-MALE 90 (
022	001		15304292	MANIFOLD BLOCK		
023	002		09409982	FLANGE-SPLIT		
024	001		09410968	O RING		
025	004		00186285	BOLT		
026	004		00108580	LOCKWASHER		
027	001		15305273	HOSE ASSY (ORFS_S/F) -		
028	001		15305211	MANIFOLD PLATE		
029	004		00179870	BOLT		
030	001		15253231	ELBOW		
031	001		15258036	ADAPTOR		
032	001		15244830	ELBOW		
033	001		15256547	SWIVEL NUT 1.00 BSP		
034	001		15235749	VALVE-CHECK		
035	001		15256139	ADAPTOR		
036	001		15302595	HOSE ASSY (ORFS) -12HP		
037	001		15302591	HOSE ASSY (ORFS) -04HP		
038	003		15251938	ADAPTOR		
039	001		15251951	TEE		
040	002		15253096	ADAPTOR		

220-0010-7591 STEERING LINES

FROM SERIAL NO. A7581150

NC	REF	QTY	PART NO.	DESCRIPTION	SER.NO. FROM	SER.NO. TO
041	001		15246801	VALVE-CHECK		
042	001		15302586	HOSE ASSY (ORFS) -04MP		
043	001		15251944	ELBOW		
044	001		15302602	HOSE ASSY (ORFS) -16HP		
045	001		15251937	ADAPTOR		
046	001		15302888	HOSE ASSY (ORFS) -04HP		
047	001		15302718	HOSE ASSY - DIAGNOSTIC		
048	001		15300946	ADAPTOR B/HEAD - 0.56		
049	001		15025869	PLUG-DUST		
050	001		15303240	BENT PLATE		
051	002		15244057	MOUNTING-RUBBER		
052	002		00186295	BOLT		
053	004		00106265	WASHER		
054	002		09037837	WASHER		
055	002		00274209	LOCKNUT		
056	002		15252695	ELBOW		
057	001		15304052	ADAPTOR 0.56 ORFS (F)		
058	001		15304050	HOSE ASSY (ORFS) -04HP		
059	002		09409983	FLANGE-SPLIT		
060	001		09410969	O RING		
061	004		00103328	LOCKWASHER		
062	001		15253218	ELBOW		

220-0140-7591 EMERGENCY STEERING VALVE
SERIAL NO. A7581001 TO A7581016

NC	REF	QTY	PART NO.	DESCRIPTION	SER.NO. FROM	SER.NO. TO
001	001		15303821	VALVE-EMERGENCY		
002	001		15272682	.KIT-SEAL		

230-0020-7591 LINES AND FITTINGS-BODY HOIST
SERIAL NO. A7581001 TO A7581024

NC	REF	QTY	PART NO.	DESCRIPTION	SER.NO. FROM	SER.NO. TO
001	001		15302608	HOSE ASSY (C) -32SUCT		
002	002		09410971	O RING		
003	004		09409985	FLANGE-SPLIT		
004	016		00179885	BOLT		
005	016		00103329	LOCKWASHER		
006	001		15302651	TUBE ASSEMBLY		
007	001		09410969	O RING		
008	004		09409983	FLANGE-SPLIT		
009	004		00179862	BOLT		
010	008		00103328	LOCKWASHER		
011	001		15303065	HOSE ASSY. -20HPX17.75		
012	004		09410968	O RING		
013	008		00179841	BOLT		
014	012		00108580	LOCKWASHER		
015	006		09409982	FLANGE-SPLIT		
016	001		15302607	HOSE ASSY (ORFS_S/F) -		
017	001		15303114	MODIFIED SPLIT FLANGE		
018	003		09409984	FLANGE-SPLIT		
019	001		09410970	O RING		
020	007		15251982	ADAPTOR		
021	001		15302677	MANIFOLD PLATE		
022	001		15251938	ADAPTOR		
023	002		15302726	HOSE ASSY (ORFS) -16HP		
024	001		15253078	ELBOW		
025	001		15302663	MANIFOLD BLOCK		
026	004		00186285	BOLT		
027	001		15302900	ADAPTOR - HYDRAULIC 1.		
028	004		00179868	BOLT		
029	001		15302649	TUBE ASSEMBLY		
030	001		15258951	HOSE ASSY(C).25MP X		
031	001		15303632	HOSE ASSY(C).25MP X		
032	001		15251979	ADAPTOR		
033	002		15255442	ELBOW		
034	002		15252983	ELBOW		
035	001		15253239	ADAPTOR		
036	001		15303073	ACCUMULATOR 0.7 LITRES		
037	004		15251951	TEE		
038	001		15302588	HOSE ASSY (ORFS) -04MP		
039	001		15302587	HOSE ASSY (ORFS) -04MP		
040	001		15302590	HOSE ASSY (ORFS) -04HP		

230-0020-7591 LINES AND FITTINGS-BODY HOIST
SERIAL NO. A7581001 TO A7581024

NC	REF	QTY	PART NO.	DESCRIPTION	SER.NO. FROM	SER.NO. TO
041	001		15303062	HOSE ASSY(ORFS)-04MPX2		
042	001		15256137	REDUCER		
043	001		15254153	NUT-SWIVEL		
044	001		15256136	ADAPTOR		
045	001		15302589	HOSE ASSY (ORFS) -04HP		
046	001		15300920	HOSE ASSY DIAGNOSTIC _		
047	001		15300946	ADAPTOR B/HEAD - 0.56		
048	001		15025869	PLUG-DUST		
049	001		15302716	PLATE - DIAGNOSTIC		

230-0050-7591 PUMP-BODY HOIST
 FROM SERIAL NO. A7581001

NC	REF	QTY	PART NO.	DESCRIPTION	SER.NO. FROM	SER.NO. TO
	001	001	15302695	PUMP ASSY-MAIN HYD		
	002	001	15272686	.RING-SNAP		
	003	001	15272687	.BEARING-BALL		
A	004	001	09034907	.SEAL		
	005	001	09038111	.SCREW-SET		
A	006	004	09036241	.SEAL		
A	007	008	09034503	.BEARING		
A	008	024	15272685	.SEAL-POCKET		
A	009	004	09039962	.PLATE-THRUST		
	010	001	15272690	.GEAR SET-SHAFT		
A	011	004	09034913	.GASKET-SEAL		
	012	008	15272683	.PIN-DOWEL		
	013	001	15272684	.SHAFT-CONNECTOR		
	014	001	15272689	.GEAR SET		
	015	004	15272688	.STUD		
	016	004	09034501	.WASHER		
	017	004	09398896	.NUT		
	018	003	06351240	BOLT		
	019	001	06351235	BOLT		
	020	004	07161230	LOCKWASHER		

NOTES:

A PARTS IN 15272691 SEAL KIT

250-0010-7591 BRAKE LINES-AIR
 SERIAL NO. A7581001 TO A7581326

250-0010-7591 BRAKE LINES-AIR
 SERIAL NO. A7581001 TO A7581326

NC	REF	QTY	PART NO.	DESCRIPTION	SER.NO. FROM	SER.NO. TO	NC	REF	QTY	PART NO.	DESCRIPTION	SER.NO. FROM	SER.NO. TO
001	001		15302739	HOSE ASSEMBLY .25MP			041	001		15305386	HOSE ASSY		
002	001		15303024	PURGE RESERVOIR			042	001		15250432	TUBE ASSY		
003	001		15302987	MANIFOLD			043	ASR		15244156	TUBING-NYLON 6MM		
004	ASR		09379264	TIE-CABLE			044	002		15303105	ELBOW .25NPT/6MM TUBE		
005	001		00105404	NIPPLE			045	003		15303096	ELBOW .56JIC/.50NPT		
006	001		00105416	TEE			046	001		15249753	ELBOW		
007	002		15248239	AIR RESERVOIR SINGLE			047	002		15303094	TEE .75JIC/.38NPT		
008	001		15247597	SOLENOID-DIFF LOCK			048	004		15303093	REDUCER 8MM/6MM TUBE		
009	001		00105422	ELBOW			049	003		15303092	ELBOW M16/8MM TUBE		
010	001		15238260	SOLENOID-AIR			050	002		15303091	CONNECTOR M12/6MM TUBE		
011	003		00116524	BUSHING			051	001		15303090	ELBOW M22/6MM PIPE		
012	002		00119931	BUSHING			052	002		15303089	CONNECTOR .75JIC SWIVE		
013	002		09078797	VALVE-BALL			053	001		15303088	ELBOW .75JIC/M16		
014	002		00121207	NIPPLE			054	001		15303087	CONNECTOR .75JIC/M16		
015	001		15302727	BRACKET ASSEMBLY			055	003		15303086	CONNECTOR .56JIC/M22		
016	001		15302478	PLATE ASSY			056	003		15303085	ELBOW .88JIC/M22		
017	001		15256475	PLATE			057	002		15303070	PLUG M22-1.5		
018	001		15303104	HOSE ASSEMBLY .62MP			058	001		15303067	ELBOW M22/.75JIC		
019	001		15303103	HOSE ASSEMBLY .62MP			059	004		15302522	BULKHEAD ADAPTER-45DEG		
020	001		15303102	HOSE ASSEMBLY .50MP			060	001		15255875	UNION		
021	001		15303101	HOSE ASSEMBLY .50MP			061	002		15254317	ELBOW		
022	001		15303100	HOSE ASSEMBLY .50MP			062	001		15247154	ADAPTOR		
023	001		15303099	HOSE ASSEMBLY .50MP			063	003		15244132	ELBOW-PRESTOLOK		
024	001		15302738	HOSE ASSEMBLY .25MP			064	001		15257393	PLUG (.25 BSPP)		
025	003		15302737	HOSE ASSEMBLY .25MP			065	003		15236925	ADAPTOR		
026	001		15305387	HOSE ASSY			066	004		15233970	UNION-BULKHEAD		
027	001		15302616	HOSE ASSY			067	001		15233869	REDUCER		
028	001		15302615	HOSE ASSY			068	002		15229831	ADAPTOR		
029	001		15302614	HOSE ASSY			069	001		15229652	ADAPTOR		
030	001		15302613	HOSE ASSY			070	002		09410332	TEE		
031	002		15302612	HOSE ASSY			071	001		09410330	TEE		
032	001		15302611	HOSE ASSY			072	ASR		09362529	SEALANT		
033	001		15302610	HOSE ASSY			073	005		09410282	ELBOW		
034	001		15305388	HOSE ASSY			074	004		09403527	NUT		
035	001		15250433	HOSE ASSY			075	002		09402862	ELBOW		
036	002		00444619	PLUG			076	001		09402823	ELBOW		
037	001		15018815	HOSE ASSY			077	004		09271137	REDUCER		
038	001		15018259	HOSE ASSY			078	001		09246815	CONNECTOR		
039	001		09270205	HOSE ASSY			079	001		09235892	ELBOW		
040	001		09121125	HOSE ASSY			080	003		09214090	CONNECTOR		

250-0020-7591 BRAKE LINES-HYDRAULIC
 FROM SERIAL NO. A7581327

NC	REF	QTY	PART NO.	DESCRIPTION	SER.NO. FROM	SER.NO. TO
001	001		15307305	BRAKE PIPE ASSY-FRONT		
002	001		15307306	BRAKE PIPE ASSY FRONT		
003	001		15307307	BRAKE PIPE ASSY FRONT		
004	001		15307308	BRAKE PIPE ASSY FRONT		
005	001		15233862	TEE		
006	001		15233858	ELBOW		
007	001		15236353	ELBOW		
008	001		15247822	HOSE ASSY		
009	001		15256829	PIPE ASSY-PRESS CONV		
010	002		15306715	HOSE ASSY		
011	002		00350433	TEE		
012	001		15305643	PLATE		
013	001		09215330	CONNECTOR		
014	001		05125884	ELBOW		
015	004		15306687	ELBOW (EXTENDED)		
016	002		15307315	BRAKE PIPE GUARD(TA25)		
017	002		15307314	BRAKE PIPE GUARD(TA25)		
018	001		00109421	NIPPLE		
019	001		00142834	COUPLING		
020	001		00137894	ELBOW		
021	001		15244547	BREATHER		
022	001		00116385	BUSHING-REDUCER		
023	001		15233807	RESERVOIR-BRAKE FLUID		
024	001		15266879	.DIAPHRAGM		
025	001		15271330	.COVER-RESERVOIR		
026	001		00454135	TEE		

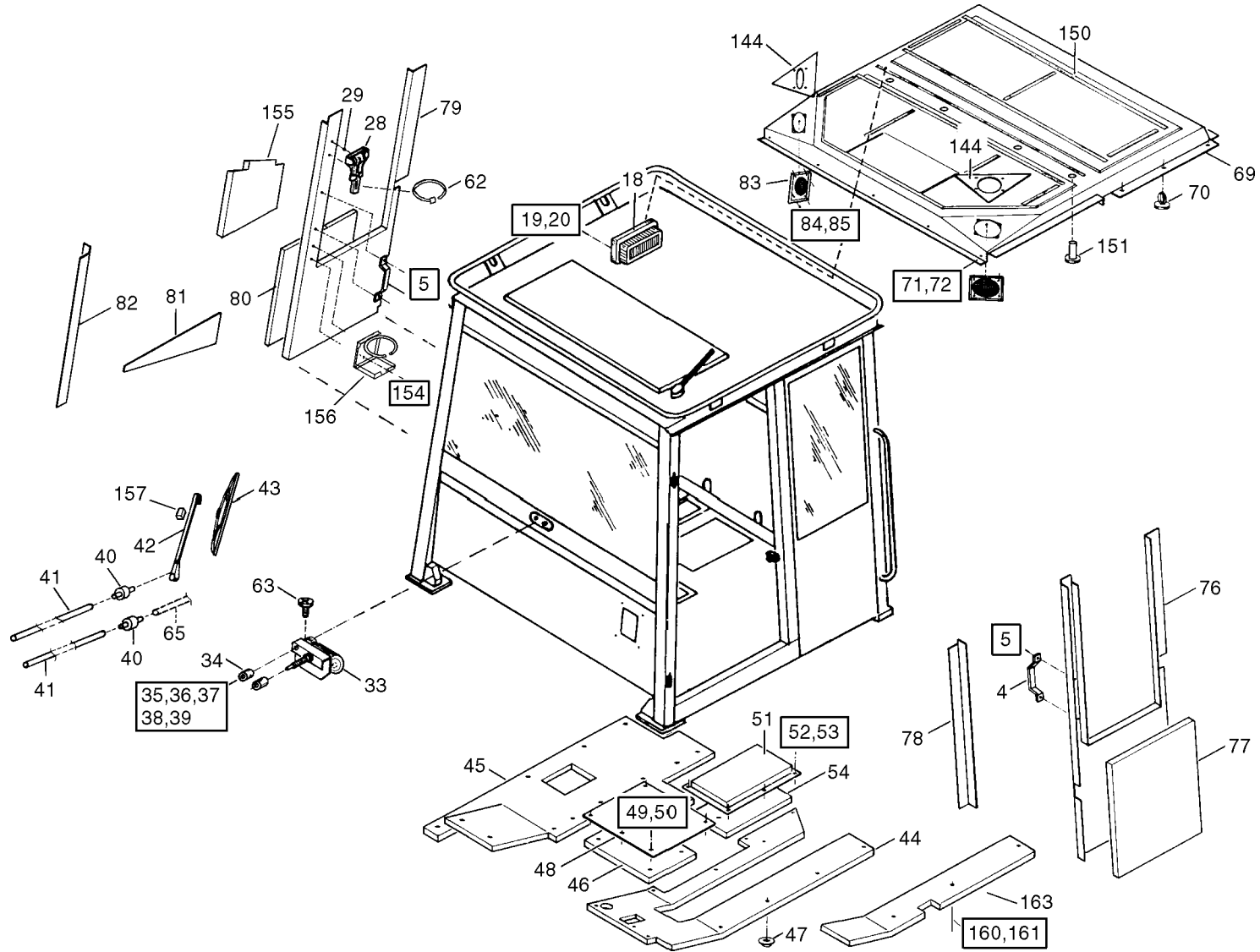
250-0200-7591 AIR DRIER
FROM SERIAL NO. A7581277

NC	REF	QTY	PART NO.	DESCRIPTION	SER.NO. FROM	SER.NO. TO
----	-----	-----	----------	-------------	-----------------	---------------

001	001		15307654	AIR DRIER-LA8		
002	001		15272741	.CARTRIDGE-SPIN-ON		
003	001		15273677	.KIT-SEALS/GOVERNOR		
004	001		15273678	.KIT-HEATER		

260-0010-7591 CAB ASSEMBLY
FROM SERIAL NO. A7581001

DRAWING NO. P9882B



260-0080-7591 SWITCHES AND INSTRUMENTS

SERIAL NO. A7581001 TO A7581141

NC	REF	QTY	PART NO.	DESCRIPTION	SER.NO. FROM	SER.NO. TO
001	001		15256388	MODULE-W/LGHT:25/306		
002	008		15271204	.BULB & SOCKET-MODULE		
003	001		15256026	TACHOMETER		
004	001		15258290	GAUGE-AIR PRESSURE		
005	001		15308402	GAUGE-ENG OIL PRESS		
006	010		15256924	SCREW		
007	001		15226350	GAUGE-FUEL ELECTRIC		
008	001		15256433	SPEEDOMETER		
009	001		15237161	SWITCH-COLUMN		
010	001		15258794	MODULE-W/LGHT:3066C		
011	008		15271204	.BULB & SOCKET-MODULE		
012	001		15258291	GAUGE-ENG WATER TEMP		
013	001		15258304	INSTRUMENT PANEL - 306		
014	005		15229157	PLUG-BLANKING		
015	001		15258795	SWITCH - HAZARDS		
016	001		15237165	LENS-HAZARD LIGHTS		
017	001		15258797	SWITCH - ON/OFF		
018	001		15237167	LENS-DIFF/LOCK		
019	001		15258796	SWITCH - TEST		
020	001		15229156	LENS-TEST SWITCH		
021	006		09079062	DIODE-BLOCK		
022	001		15258703	LENS EXHAUST BRAKE		
023	001		15258798	SWITCH-LIGHTS		
024	001		15237163	LENS-LIGHTS		
025	007		15256444	RELAY		
026	001		15229194	SWITCH-MASTER DISC		
027	001		15258799	SWITCH - REAR/WASH/W		
028	001		15229154	LENS-WASH/WIPE		
029	001		15247606	SWITCH-KEY		
030	002		15267640	.KEY		
031	001		15256443	SOCKET-HANDLAMP		
032	001		15227360	BUZZER		
033	001		15244724	FLASHER UNIT		
034	001		15247765	BLOCK-DIODE		
035	002		15248347	FUSE-25AMP		
036	001		15247753	FUSE-30AMP		
037	002		15247611	FUSE-15AMP		
038	004		15247612	FUSE-10AMP		
039	004		15247613	FUSE-7.5AMP		
040	002		15247614	FUSE-5AMP		

260-0080-7591 SWITCHES AND INSTRUMENTS

SERIAL NO. A7581001 TO A7581141

NC	REF	QTY	PART NO.	DESCRIPTION	SER.NO. FROM	SER.NO. TO
041	007		15247615	FUSE-3AMP		
042	001		15247645	BAR-BUS 20 CIRCUIT		
043	001		15304952	GAUGE-TRANS OIL TEMP	A7581122	
044	ASR		15273771	BULB-VDO GAUGES		
045	ASR		15265325	BULB-SWITCHES		
046	001		15258796	SWITCH	A7581025	
047	001		15302950	LENS-BODY BLEED DOWN	A7581025	
048	003		15302906	FUSE-100 AMP		

260-0110-7591 SEAT-PASSENGER
SERIAL NO. A7581001 TO A7581300

NC	REF	QTY	PART NO.	DESCRIPTION	SER.NO. FROM	SER.NO. TO
001	001		15301163	SEAT-PASSENGER		
002	001		15228984	SUPPORT-SEAT		
003	004		00179890	BOLT		
004	004		00103329	LOCKWASHER		
005	004		06350825	BOLT		
006	004		00103320	LOCKWASHER		
007	001		15245369	LAPBELT		
008	002		00181397	BOLT		
009	002		00106264	WASHER		
010	002		00103328	LOCKWASHER		
011	002		00271505	NUT		
012	002		00181429	BOLT		
013	002		15248799	BRACKET-SEAT BELT		
014	002		00103028	NUT		

THIS PAGE IS INTENTIONALLY LEFT BLANK

290-0010-7591 DECALS-ENGLISH

FROM SERIAL NO. A7581145

290-0010-7591 DECALS-ENGLISH

FROM SERIAL NO. A7581145

NC	REF	QTY	PART NO.	DESCRIPTION	SER.NO. FROM	SER.NO. TO
----	-----	-----	----------	-------------	-----------------	---------------

A	001	001	15303953	DECAL SET - ARTIC (ENG		
	002	001	15302877	.DECAL CAUTION DIFF. L		
	003	001	15255789	.DECAL-WARNING		
	004	001	15304341	.DECAL-FUSES		
	005	002	15255776	.DECAL-CAUTION		
	006	001	15255685	.DECAL-ALTERNATOR		
	007	002	15255715	.DECAL-CAB FOAM		
	008	003	15255743	.DECAL-WARNING ACCUM		
	009	001	15250487	.PLATE-HYDRAULIC OIL		
	010	001	09361787	.DECAL-BATTERY EARTH		
	011	001	15302881	.DECAL-BODY CONTROL		
	012	001	15255700	.DECAL-ATTENTION		
	013	001	15304419	.DECAL - REMOTE PLATE		
	014	001	15245247	.DECAL-CE SAFETY		
	015	008	09271069	.DECAL-HOOK		
	016	001	15303830	.DECAL-LIFT INSTRUCTIO		
	017	002	15254716	.DECAL-CAUTION BODY S		
	018	002	15253566	.DECAL-WARNING ARTIC		
	019	004	15255702	.DECAL-ATTENTION		
	020	001	15255864	.DECAL-CAUTION RAD		
B	021	001	15255806	.DECAL-CAUTION		
	022	001	15255876	.DECAL-WARNING PARK		
	023	001	15255781	.DECAL-WARNING		
	024	001	15255885	.DECAL-HAND LAMP		
	025	001	15302897	.DECAL PARKING BRAKE		
	026	001	15303342	.DECAL-GEAR SHIFT		
	027	001	15301543	.DECAL-REMOTE PLATE		
	028	001	15255697	.DECAL ATTENTION - DDE		
	029	001	15301515	.DECAL-ATTENTION PIVOT		
	030	001	15307965	.DECAL - 24V		
	031	001	15249138	DECAL-SERIAL PLATE		
	032	001	15300508	DECAL-TEREX CROWN		
C	033	001	15305969	DECAL STRIPE TA25 - LH		
C	034	001	15305970	DECAL STRIPE TA25 - RH		
	035	001	15303414	DECAL STRIPE TEREX-LH		
	036	001	15303415	DECAL STRIPE TEREX-RH		
	037	001	15303124	SERVICE PLATE		
	038	002	15256499	DECAL-EMERGENCY EXIT		
	039	002	15009299	DECAL-TEREX CROWN		
	040	004	00145378	SCREW		

NC	REF	QTY	PART NO.	DESCRIPTION	SER.NO. FROM	SER.NO. TO
----	-----	-----	----------	-------------	-----------------	---------------

NOTES:
A DECAL SET 15303953 CONTAINS ITEMS 2 THROUGH 30
B FOR USA UNITS ADD MANUALS CASE P/N 15006901
C FOR MODEL TA27 USE DECALS 15305971 AND 15305972

100-0135-7593 ROCK GUARDS
FROM SERIAL NO. A7581001

NC	REF	QTY	PART NO.	DESCRIPTION	SER.NO. FROM	SER.NO. TO
----	-----	-----	----------	-------------	-----------------	---------------

001	001		15302992	TRANSMISSION SUMP GUAR		
002	002		06351670	BOLT		
003	002		07151630	WASHER		
004	002		06471601	LOCKNUT		
005	002		06351675	BOLT		
006	002		09191596	WASHER		
007	002		07161630	LOCKWASHER		

260-0210-7593 FIRE EXTINGUISHER
FROM SERIAL NO. A7581001

NC	REF	QTY	PART NO.	DESCRIPTION	SER.NO. FROM	SER.NO. TO
----	-----	-----	----------	-------------	-----------------	---------------

001	001		15253397	FIRE EXTINGUISHER		
-----	-----	--	----------	-------------------	--	--

THIS PAGE IS INTENTIONALLY LEFT BLANK

150-0010-7661 AXLE COMPLETE-CENTRE
SERIAL NO. A7581001 TO A7581201

NC	REF	QTY	PART NO.	DESCRIPTION	SER.NO. FROM	SER.NO. TO
----	-----	-----	----------	-------------	-----------------	---------------

001	001		15246413	AXLE ASSY-CENTRE		
-----	-----	--	----------	------------------	--	--

150-0030-7661 AXLE GROUP-CENTRE
FROM SERIAL NO. A7581001

NC	REF	QTY	PART NO.	DESCRIPTION	SER.NO. FROM	SER.NO. TO
001	001		15267699	CASING		
002	001		09398508	VALVE-VENT		
003	001		09398762	PLUG		
004	001		09398510	SEAL		
005	001		15265732	PLUG		
006	001		09398260	SEAL		
007	001		15267933	PLATE		
008	004		09397927	PIN-GROOVED		
009	016		15267698	LOCK SCRE		
010	003		15267236	PIN		
011	003		15267237	PIN		
012	001		15267254	SHAFT-LH (954 MM)		
013	001		15267255	SHAFT-RH (1 082 MM)		
014	001		15265758	SHAFT-FLANGED		
015	001		09398740	DUSTSHIELD		

THIS PAGE IS INTENTIONALLY LEFT BLANK

165-0050-7661 BRAKE GUARDS
SERIAL NO. A7581001 TO A7581288

NC	REF	QTY	PART NO.	DESCRIPTION	SER.NO. FROM	SER.NO. TO
001	004		15257926	GUARD-BRAKE PIPE		
002	008		06351225	BOLT		
003	008		07161230	LOCKWASHER		

180-0040-7661 REAR SUSPENSION

FROM SERIAL NO. A7581120

180-0040-7661 REAR SUSPENSION

FROM SERIAL NO. A7581120

NC	REF	QTY	PART NO.	DESCRIPTION	SER.NO. FROM	SER.NO. TO	NC	REF	QTY	PART NO.	DESCRIPTION	SER.NO. FROM	SER.NO. TO
001	001		15303875	BRACKET-SUSP LINK			041	002		15257947	PLATE ASSY		
002	001		15303876	BRACKET-SUSP LINK			042	002		15257949	ADAPTOR PLATE ASSY		
003	001		15254329	BRACKET-SUSP LINK			043	001		15257860	BEAM ASSY-RH		
004	001		15254330	BRACKET-SUSP LINK			044	002		00127887	ELBOW		
005	002		15254377	BRACKET ASSY			045	016		06351665	BOLT		
006	001		15254017	BEAM ASSY			046	016		06471601	LOCKNUT		
007	002		15250045	BUSHING			047	002		15254367	CONTROL LINK		
008	002		15236471	SEAL-V			048	002		15268490	.BUSHING		
009	002		15236460	RETAINER			049	002		15267713	.BUSHING		
010	008		00103331	LOCKWASHER			050	002		06351225	BOLT		
011	002		15236470	CAP-END			051	004		15247324	MOUNTING-INTERLEAF		
012	008		00271560	BOLT			052	002		15248882	LOCKNUT		
013	006		09411010	FITTING-GREASE			053	002		07161230	LOCKWASHER		
014	012		00179890	BOLT									
015	016		00103329	LOCKWASHER									
016	004		15246458	LINK-CONTROL									
017	008		15267713	.BUSHING									
018	002		15303900	PANHARD ROD ASSY									
019	002		15227760	.BEARING									
020	004		15233071	.LOCKRING									
021	002		00444688	.PLUG									
022	020		15254335	BUSH-SUSPENSION									
023	008		07161630	LOCKWASHER									
024	008		15247263	BOLT									
025	012		09250715	WASHER-HARDENED									
026	016		15247213	SCREW-SOCKET									
027	016		15248136	BOLT									
028	016		09419495	NUT									
029	010		15251480	NUT-NYLON									
030	004		00179883	BOLT									
031	004		09217321	WASHER									
032	016		15007339	WASHER-HARDENED									
033	002		15245698	BOLT									
034	010		09008198	WASHER									
035	001		15257858	MANIFOLD ASSY									
036	006		00118753	ELBOW									
037	002		00105406	NIPPLE									
038	004		15022946	HOSE ASSY									
039	004		15233072	PIN ASSY									
040	010		15254380	BOLT									

230-0020-7661 LINES AND FITTINGS-BODY HOIST
 FROM SERIAL NO. A7581141

NC	REF	QTY	PART NO.	DESCRIPTION	SER.NO. FROM	SER.NO. TO
001	002		15304323	ELBOW		
002	001		15305620	HOSE ASSY (ORFS) -12HP		
003	002		15251981	ELBOW		
004	002		15251950	TEE		
005	001		15305618	HOSE ASSY		
006	002		15258178	TUBE ASSY-HOIST		
007	002		15244830	ELBOW		
008	002		09183207	PLUG		
009	002		00274251	O RING		
010	002		09196896	CLAMP-TOP		
011	002		09065853	CLAMP		
012	004		00102635	NUT		
013	004		00103340	WASHER		
014	001		15305619	HOSE ASSY (ORFS) -12HP		
015	001		15305617	HOSE ASSY		

250-0020-7661 BRAKE LINES-HYDRAULIC

SERIAL NO. A7581001 TO A7581069

NC	REF	QTY	PART NO.	DESCRIPTION	SER.NO. FROM	SER.NO. TO
001	004		09051432	VALVE-BLEEDER		
002	002		15257960	GUARD-BRAKE PIPE		
003	001		15257959	GUARD-BRAKE PIPE		
004	004		15257926	GUARD-BRAKE PIPE		
005	001		15258014	HOSE ASSY		
006	001		15258012	HOSE ASSY		
007	001		15257981	PIPE ASSY-REAR RH		
008	001		15257980	PIPE ASSY-REAR LH		
009	001		15257979	PIPE ASSY-MID RH		
010	001		15257978	PIPE ASSY-MID LH		
011	001		15255203	BRAKE PIPE ASSY-P.C.		
012	001		15303251	COUPLING DIAGNOSTIC		
013	001		15246255	TEE		
014	004		15244465	FITTING		
015	004		15244456	BOLT		
016	001		15236339	ADAPTOR		
017	001		15233862	TEE		
018	002		00350433	TEE		
019	004		15249911	DUSTCAP		
020	001		15025869	PLUG-DUST		
021	004		15244468	WASHER		
022	004		15249479	GASKET		

270-0010-7661 BODY ASSEMBLY
FROM SERIAL NO. A7581001

NC	REF	QTY	PART NO.	DESCRIPTION	SER.NO. FROM	SER.NO. TO
001	001		15302772	BODY ASSY. 2766C/TA27		
001	001		15302068	BODY ASSY. 2566C/TA25		
002	002		15252668	.BUSH		
003	002		15235465	PIN ASSEMBLY		
004	004		15251741	PAD-BODY		
005	ASR		15251929	SHIM-10 S.W.G.		
006	ASR		15251930	SHIM-18 S.W.G.		
007	048		07151020	WASHER		
008	024		06441040	BOLT		
009	ASR		15251001	SHIM		
010	024		06471001	LOCKNUT		
011	ASR		15237116	SPACER		
012	002		15237117	GUIDE PLATE		
013	002		09217321	WASHER		
014	002		09411010	FITTING-GREASE		

270-0020-7663 EXHAUST HEATED BODY

FROM SERIAL NO. A7581001

NC	REF	QTY	PART NO.	DESCRIPTION	SER.NO. FROM	SER.NO. TO
001	001		15230154	GUARD EXHAUST		
002	001		15230125	PIPE ASSEMBLY		
003	001		00179839	BOLT		
004	001		00274208	LOCKNUT		
005	001		15230130	ELBOW-EXHAUST PIPE		
006	001		09030499	CLAMP		
007	001		15229083	CLAMP		
008	001		15238172	SEAL-HOUSING BRG		
009	001		15251694	SEAL		
010	001		15237939	SPHER.BRG.		
011	001		15244071	RING		
012	001		15237980	BOX-EXHAUST		
013	003		00179889	BOLT		
014	003		00103343	WASHER		
015	007		00274209	LOCKNUT		
016	004		00179883	BOLT		
017	008		00103329	LOCKWASHER		
018	002		15244109	BUTT-CLAMP		
019	001		15244108	TUBE-FLEXIBLE		
020	001		15256283	SEAL HOUSING ASSY. -		
021	001		15255151	SEAL BOTTOM BEARING		
022	001		15247499	BOX-BODY EXHAUST		
023	001		15237940	BEARING		
024	004		00179881	BOLT		
026	004		00106265	WASHER		
027	004		00179887	BOLT		
028	004		09267949	WASHER-HARDENED		
029	001		15255152	THRUST RING		
030	004		06350820	SCREW		
031	004		15247010	PLATE		
032	001		15252679	HEAT SHIELD		
033	002		15251929	SHIM-10 S.W.G.		
034	002		15251930	SHIM-18 S.W.G.		
035	004		15227804	SHIM		

CLICK HERE TO **DOWNLOAD** THE COMPLETE MANUAL

- Thank you very much for reading the preview of the manual.
- You can download the complete manual from: www.heydownloads.com by clicking the link below



- Please note: If there is no response to CLICKING the link, please download this PDF first and then click on it.

CLICK HERE TO **DOWNLOAD** THE COMPLETE MANUAL