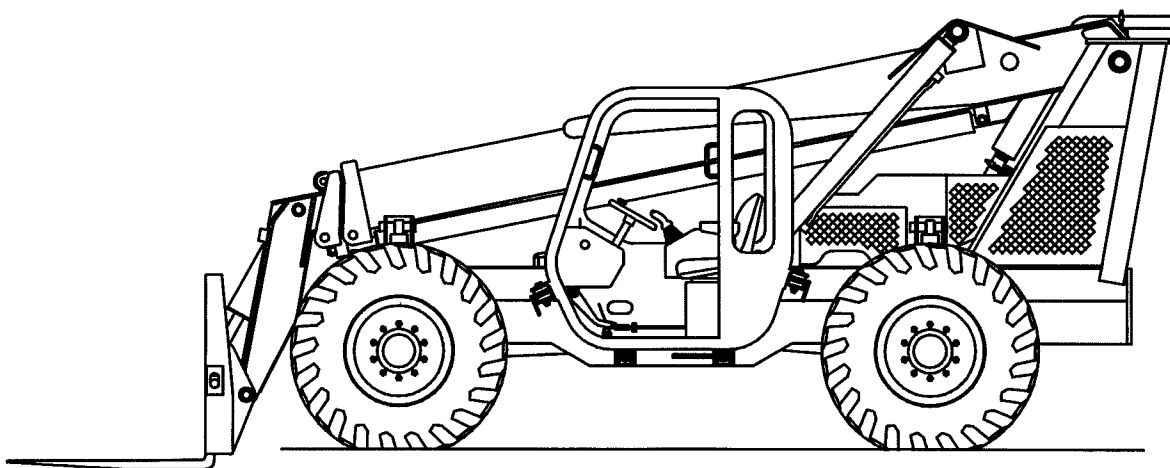


# SQUARE SHOOTER PARTS BOOK SS-644C



DATE: 2-4-00

JOHN DEERE POWERTECH 4045T TURBO ENGINE  
OR OPTIONAL

CUMMINS 4B3.9-C-100 TURBO ENGINE

DANA 212 AXLES

CLARK T12000 TRANSMISSION

REMOTE MOUNTED CAB

REXROTH HYDRAULIC PUMP

DAVID BROWN SECTIONAL MAIN VALVE

DAVID BROWN 4-WAY CONTROLLER

Serial Number: \_\_\_\_\_

TEREX HANDLERS

455 N. Superior Ave., Baraga, MI 49908-0248

PH: (906) 353-6675; FAX: (906) 353-7543

INTERNET: <http://www.sqshooter.com>

CLICK HERE TO **DOWNLOAD** THE COMPLETE MANUAL

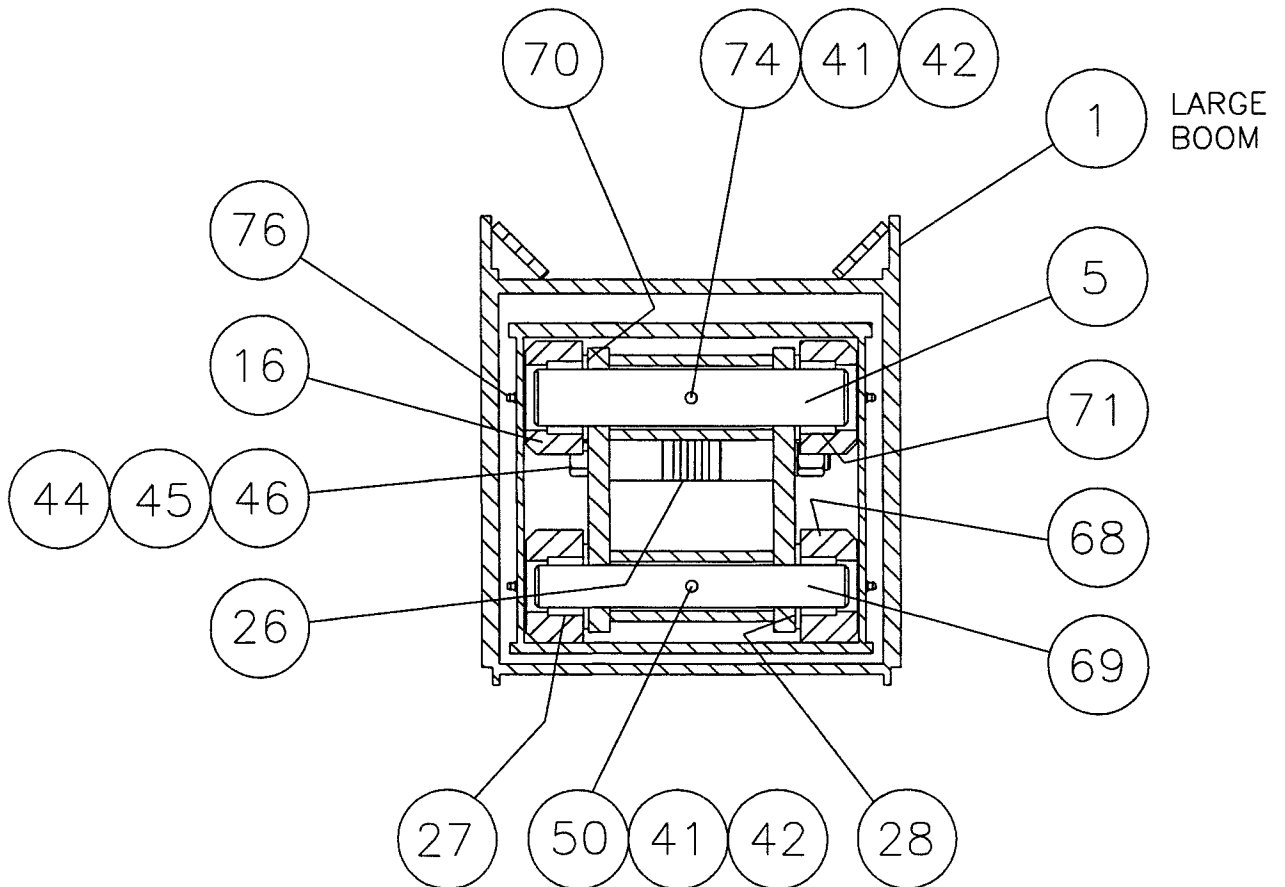
- Thank you very much for reading the preview of the manual.
- You can download the complete manual from: [www.heydownloads.com](http://www.heydownloads.com) by clicking the link below



- Please note: If there is no response to CLICKING the link, please download this PDF first and then click on it.

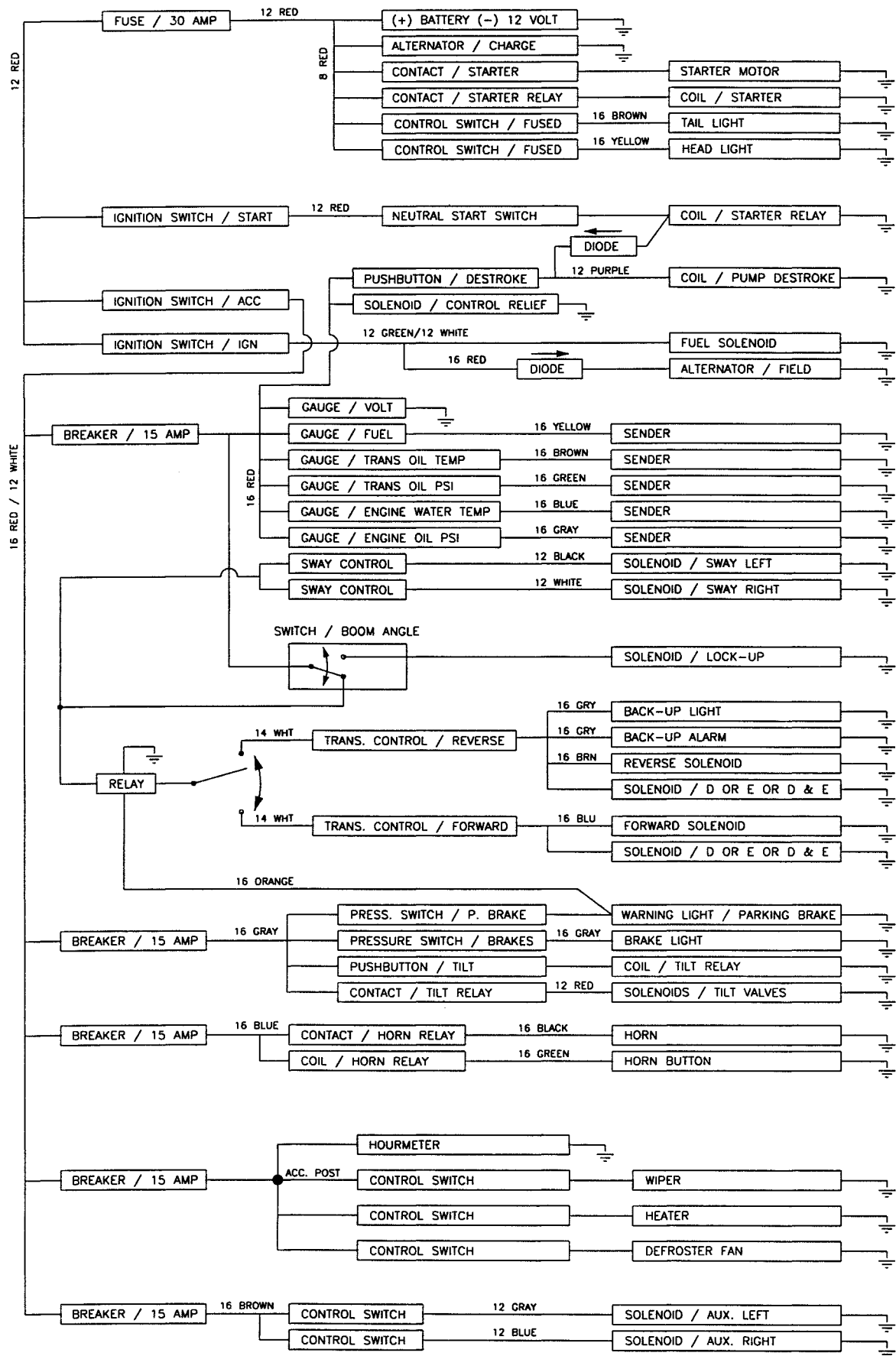
CLICK HERE TO **DOWNLOAD** THE COMPLETE MANUAL

ITEM	NUMBER	DESCRIPTION	REQD
1	7-197-01	SEAT	1
2	7-337-01	SEAT BELT	1
3	7-104-01	LEVEL GAGE	1
4	4-1861-1	GLASS / SKYLIGHT	1
5	6-4110-07	GLASS / REAR WINDOW	1
6	6-9608-720	RUBBER / REAR WINDOW	1
7	6-5204-04	CAPSCREW 1/4 NC x 1/2 LG.	12
8	6-6212-04	FLATWASHER 1/4	12
9	6-9601-133	EDGING 1/4 x 16 5/8 LG.	4
10	2-1224	LOAD CHART / SS-644C	1
11	7-256-32	NUT / STEERING WHEEL (w/ ITEM 12)	REF
12	7-256-71	STEERING ORBITRAL	REF
13	7-352-01	STEERING WHEEL	1
14	7-352-02	HORN BUTTON KIT	1
15	6-5206-06	CAPSCREW 3/8 NC x 3/4 LG.	2
16	6-6211-06	LOCKWASHER 3/8	2
17	6-6212-06	FLATWASHER 3/8	2
18	6-6201-06	HEX NUT 3/8 NC	2
19	7-351-01	TRANSMISSION CONTROL	1
20	6-6284-08	MACHINE SCREW #10-32 x 3/4 LG.	4
21	6-6286-06	HEX NUT #10-32	4
22	6-6286-12	FLATWASHER #10	4
23	6-6286-07	LOCKWASHER #10	4
24	7-194-07	U-BOLT w/ NUTS	2
25	6-6201-04	HEX NUT 1/4 NC	4
26	4-1832	CONTROLLER MOUNT / ARMREST	1
27	6-9601-144	EDGING 1/4 x 18 LG.	1
28	4-1819-2	VANDAL COVER / UNDER DASH	REF
29	4-1819-3	COVER / SEAT MOUNT	REF
30	7-290-01	BODY BOLT 5/16 NC x 3/4 LG.	4
31	6-6211-04	LOCKWASHER 1/4	4
32	7-194-09	GROMMET	1
33	6-9601-80	EDGING 1/4 x 10 LG.	1
34	6-9601-664	EDGING 1/4 x 83 LG.	1



VIEW OF REAR ROLLERS  
MOUNTED TO SMALL BOOM

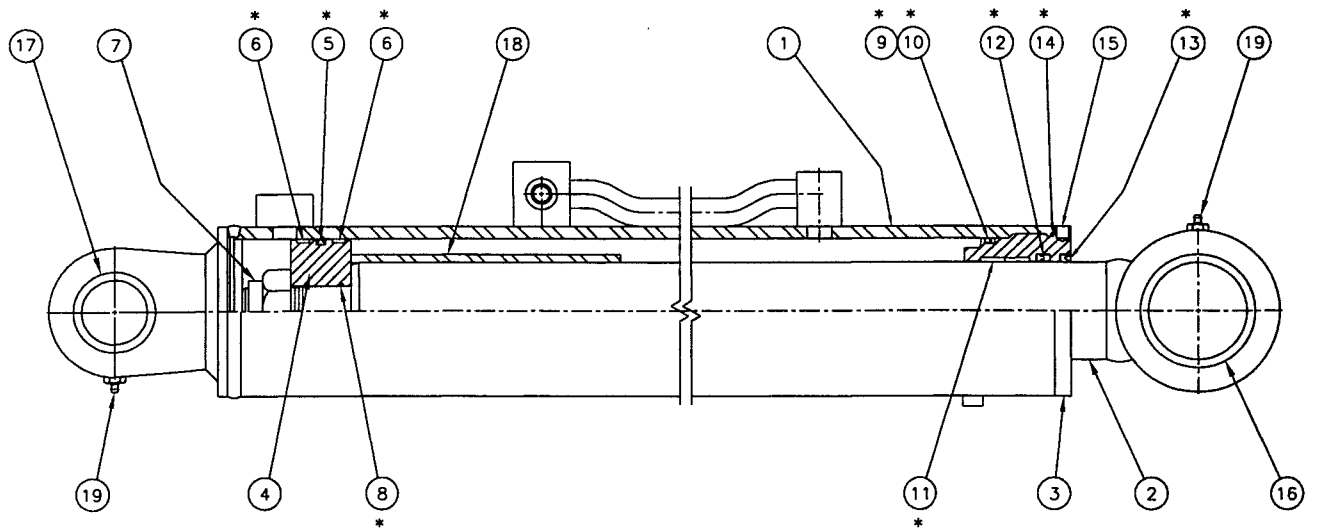
ITEM	NUMBER	DESCRIPTION	REQD
1	7-198-43	ACTUATOR / BRAKE	REF
2	3-1148	PEDAL / BRAKE	1
3	6-6307	LUBE FITTING 1/4-28 THD. / 90	1
4	1-1008	YOKE / BRAKE	1
5	1-1009	PUSH ROD	1
6	2-1117	PIN / BRAKE PEDAL	1
7	6-6261-12	CLEVIS PIN 1/2 x 1 1/2 LG.	1
8	6-6245-08	COTTER PIN 5/32 x 1 LG.	1
9	6-5206-10	CAPSCREW 3/8 NC x 1 1/4 LG.	2
10	6-6211-06	LOCKWASHER 3/8	5
11	6-6202-08	HEX NUT 1/2 NF	1
12	6-5205-14	CAPSCREW 5/16 NC x 1 3/4 LG.	1
13	6-6211-05	LOCKWASHER 5/16	1
14	6-6201-05	HEX NUT 5/16 NC	1
15	6-5206-08	CAPSCREW 3/8 NC x 1 LG.	3
16	4-1582	MOUNT / BRAKE PEDAL	1





ITEM	NUMBER	DESCRIPTION	REQD
1	6-5204-12	CAPSCREW 1/4 NC x 1 1/2 LG.	4
2	6-6211-04	FLATWASHER 1/4	4
3	6-6212-04	LOCKWASHER 1/4	4
4	6-6425-11	FITTING / 08 NPT x 06 JIC STR.	REF
5	6-6450-05	FITTING / 06 OR x 04 JIC STR.	9
6	6-6450-09	FITTING / 08 OR x 06 JIC STR.	1
7	6-6452-19	FITTING / 06 OR x 04 JIC 45	1
8	6-6453-04	FITTING / 06 OR x 04 JIC 90	10
9	6-6455-05	FITTING / 06 OR x 06 JIC RN-TEE	1
10	6-6455-15	FITTING / 06 OR x 04 JIC RN-TEE	1
11	6-6480-03	FITTING / 04 JIC SW-BR-TEE	1
12	6-6483-05	FITTING / 06 JIC CROSS	1
13	6-6485-06	FITTING / 06 OR x 06 JIC SWIVEL	1
14	6-6495-01	FITTING / 08 F. x 04 M. JIC REDUCER	REF
15	6-7002-17	HOSE / 04 x 04 x 8 1/2 LG.	1
16	6-7002-26	HOSE / 04 x 04 x 13 LG.	1
17	6-7002-276	HOSE / 04 x 04 x 138 LG.	2
18	6-7002-34	HOSE / 04 x 04 x 17 LG.	1
19	6-7002-86	HOSE / 04 x 04 x 43 LG.	1
20	6-7003-130	HOSE / 06 x 06 x 65 LG.	1
21	6-7003-150	HOSE / 06 x 06 x 75 LG.	1
22	6-7003-62	HOSE / 06 x 06 x 31 LG.	1
23	6-7022-44	HOSE / 04 x 04-90 x 22 LG.	1
24	6-7022-28	HOSE / 04 x 04-90 x 14 LG.	1
25	7-198-43	ACTUATOR / BRAKE	REF
26	6-7002-180	HOSE / 04 x 04 x 90 LG.	1
27	7-358-03	CONTROLLER / 4-WAY	REF
28	7-367-06	CARTRIDGE / NORMALLY OPEN	REF
29	7-244-27	DIN CONNECTOR	REF
30	7-244-36	VALVE / ELECTRIC 4-WAY (2)	REF
31	7-367-05	COIL / DIN	REF
32	7-367-07	VALVE BODY / CONTROLLER RELIEF	REF
33	7-358-09	CONTROL BLOCK	REF
34	7-367-01	VALVE ASSY / CONTROLLER RELIEF	REF
35	6-6481-05	FITTING / 06 JIC SW-RN-TEE	1
36	6-7002-244	HOSE / 04 x 04 x 122 LG.	2
37	6-7022-34	HOSE / 04 x 04-90 x 17 LG.	1

ITEM	NUMBER	DESCRIPTION	REQD
1	6-6450-05	FITTING / 06 OR x 04 JIC STR.	1
2	6-6452-19	FITTING / 06 OR x 04 JIC 45	3
3	7-256-27	PRESSURE CHECK / MALE	2
4	7-302-01	PRESSURE CHECK / MALE	2
5	6-7022-28	HOSE / 04 x 04-90 x 14 LG.	1
6	6-7002-34	HOSE / 04 x 04 x 17 LG.	3
7	7-358-09	CONTROL BLOCK	REF
8	7-234-50	VALVE / TILT LIMITER	REF
9	6-6457-05	FITTING / 06 OR PLUG	2



ITEM	NUMBER	DESCRIPTION	REQD
1	7-316-290	BARREL ASSEMBLY	1
2	7-316-257	ROD ASSEMBLY	1
3	7-316-291	HEAD	1
4	7-316-258	PISTON	1
5	7-316-54	SEAL / PISTON	(*) 1
6	7-316-234	WEAR RING / PISTON	(*) 2
7	7-316-73	SELF-LOCKING NUT	1
8	7-316-80	O-RING / STUB SHAFT	(*) 1
9	7-316-81	O-RING / HEAD	(*) 1
10	7-316-82	BACK-UP RING / HEAD	(*) 1
11	7-316-50	WEAR RING / HEAD	(*) 2
12	7-316-30	SEAL / SHAFT	(*) 1
13	7-316-36	WIPER / SHAFT	(*) 1
14	7-316-245	O-RING	(*) 1
15	7-316-247	SELF TAPPING SCREW	1
16	7-316-155	BRONZE BUSHING / Ref 6-4524-32	1
17	7-316-156	BRONZE BUSHING / Ref 6-4516-24	1
18	7-316-260	STROKE LIMITER	1
19	7-316-150	LUBE FITTING	2
20			
21	7-900-21	SEAL KIT / ITEMS MARKED	(*) REF

CLICK HERE TO **DOWNLOAD** THE COMPLETE MANUAL

- Thank you very much for reading the preview of the manual.
- You can download the complete manual from: [www.heydownloads.com](http://www.heydownloads.com) by clicking the link below



- Please note: If there is no response to CLICKING the link, please download this PDF first and then click on it.

CLICK HERE TO **DOWNLOAD** THE COMPLETE MANUAL

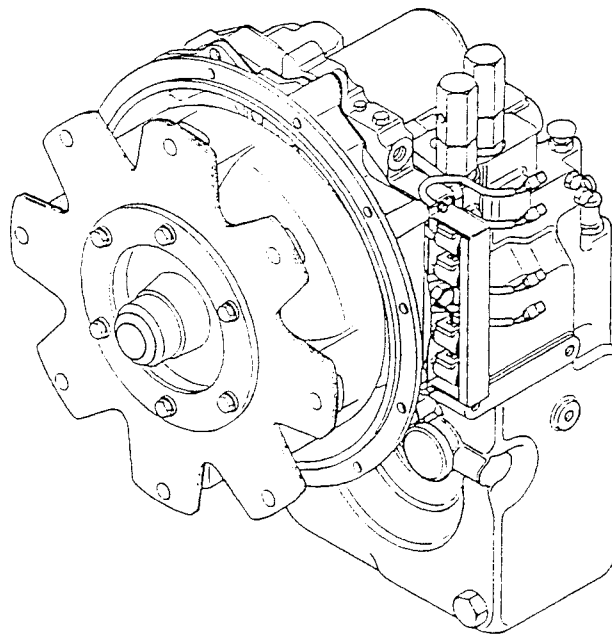
ITEM	NUMBER	DESCRIPTION	REQD
1	7-256-37	NUT	1
2	7-256-35	SEAL KIT	1
3	7-256-38	SNAP RING	1
4	7-256-72	SEAL	1
5	7-256-73	CAN	1
6	7-256-41	FINE THREAD SCREWS	4
7	7-256-42	UPPER COVER	1
8	7-256-43	SEAL	1
9	7-256-44	SHIM KIT	1
10	7-256-45	SNAP RING	1
11	7-256-46	THRUST WASHER	1
12	7-256-47	THRUST	1
13	7-256-48	THRUST BEARING	1
14	7-256-49	SPRING WASHER	1
15	7-256-50	SPACER WASHER	1
16	7-256-51	INPUT SHAFT	1
17	7-256-52	NEEDLE ROLLER	1
18	7-256-53	DRIVE RING	1
19	7-256-74	SPACER	1
20	7-256-75	TORSION BAR	1
21	7-256-76	FINE THREAD BOLTS	7
22	7-256-57	END COVER	1
23	7-256-58	BALL / 5/16 DIA.	1
24	7-256-59	SPRING	1
25	7-256-60	PLUG & O-RING	2
26	7-256-61	BALL / 1/4" DIA.	2
27	7-256-62	PLUG ASSEMBLY	1
28	7-256-63	WASHER	1
29	7-256-64	SPACER	1
30	7-256-77	DRIVE LINK	1
31	7-256-78	ROTOR SET	1
32	7-256-67	MANIFOLD	1
33	7-256-68	COMMUTATOR ASSEMBLY	1

ITEM	NUMBER	DESCRIPTION	REQD
1	7-358-21	STUD KIT (INCL. TIE RODS, NUTS, & WASHERS)	1
2	7-358-22	INLET ASSEMBLY (EXCLUDES MRV)	1
3	7-358-23	MRV ASSEMBLY	1
4	7-358-24	SECTION ASSEMBLY	2
5	7-358-25	SECTION ASSEMBLY	1
6	7-358-26	O-RING KIT (FOR ENTIRE VALVE)	1
7	7-358-27	OUTLET ASSEMBLY	1

ITEM	NUMBER	DESCRIPTION	REQD
1	6-4110-05	GLASS / WINDSHIELD	1
2	6-4110-07	GLASS / REAR	REF
3	6-4010-02	GLASS / RH / REAR SLIDER	1
4	6-3910-06	GLASS / LH / DOOR	1
5	6-4110-06	GLASS / LH / CAB	1
6	6-3910-07	GLASS / RH / FRONT SLIDER	1
7	6-9608-832	RUBBER / WINDSHIELD	1
8	6-9608-720	RUBBER / REAR WINDOW	REF
9	6-9608-960	RUBBER / LH / DOOR	1
10	6-9608-664	RUBBER / LH / CAB	1
11	4-1862-1	CHANNEL WELDMENT / REMOVABLE	REF
12	7-226-03	HANDLE / SLIDING WINDOW	1
13	6-9614-268	RUBBER CHANNEL	1
14	6-9614-110	RUBBER CHANNEL	1
15	6-9614-227	RUBBER CHANNEL	1
16	6-9614-298	RUBBER CHANNEL	1
17	6-9614-271	RUBBER CHANNEL	1
18	6-6211-04	LOCKWASHER 1/4	2
19	6-6201-04	HEX NUT 1/4 NC	8
20	6-5204-06	CAPSCREW 1/4 NC x 3/4 LG.	4
21	6-6211-04	LOCKWASHER 1/4	4
22	7-194-63	WEATHERSTRIP / PER FOOT	7
23	7-293-23	PANTOGRAPH KIT / WINDSHIELD WIPER	1
24	7-293-24	WIPER ARM / 18 IN.	1
25	7-293-25	WIPER BLADE / 20 IN.	1
26	7-293-26	ADAPTER KIT / WINDSHIELD WIPER	1
27	6-5304-06	CAPSCREW 1/4 NF x 3/4 LG.	2
28	4-1819-1	DOOR	1
29	7-294-12	PADDLE HANDLE	1
30	7-294-13	HANDLE MOUNTING BRACKET	2
31	7-294-14	HANDLE GASKET	1
32	7-294-15	LATCH	1
33	1-1275	DOOR LINK	1
34	7-294-16	DOOR LOCK ASSY (INCL. ITEMS 29-32)	REF

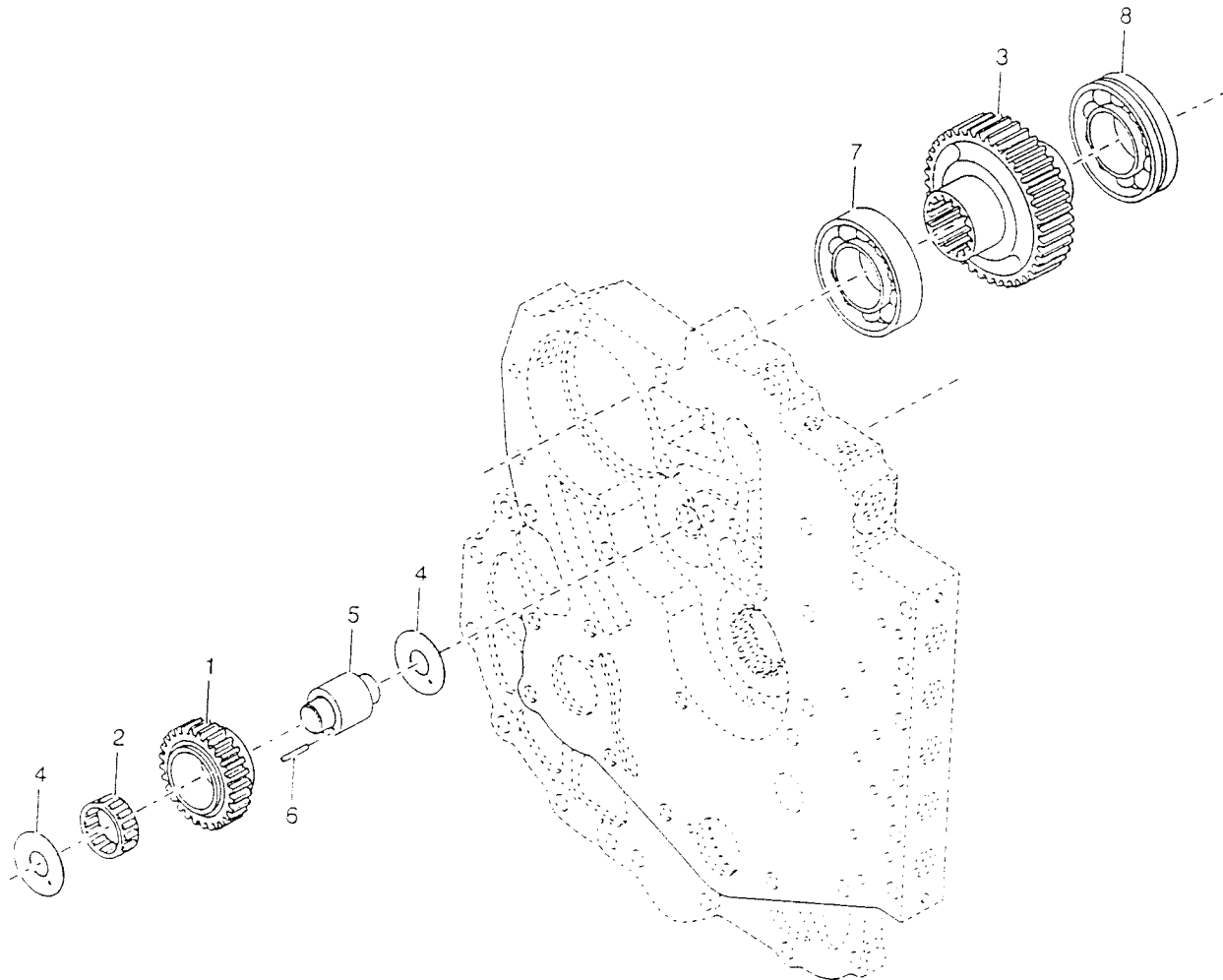
ITEM	NUMBER	DESCRIPTION	REQD
1	7-343-13	ENGINE ASSY / CUMMINS B3.9-C-100	1
2	7-345-113	PUMP / PISTON TYPE / 60cc	1
3	3-1430-1	MOUNT / ENGINE / RH	1
4	7-362-01	RADIATOR	1
5	7-158-81	RADIATOR HOSE / UPPER	1
6	7-158-76	RADIATOR HOSE / LOWER	1
7	3-1399-10	ADJUSTING ROD / UPPER RADIATOR MT	1
8	7-190-04	RUBBER MOUNT / CENTER BONDED	3
9	6-6252-08	CLAMP / RADIATOR HOSE / 2 1/4	2
10	6-6252-09	CLAMP / RADIATOR HOSE / 2 1/2	1
11	6-8112-35	CAPSCREW 12mm x 1.75 x 35mm LG.	6
12	6-9111-12	LOCKWASHER 12mm	6
13	6-5206-16	CAPSCREW 3/8 NC x 2 LG.	2
14	6-6205-06	SELF LOCKING NUT 3/8 NC	4
15	7-343-03	FAN / SUCKER / 18 IN.	REF
16	6-5208-16	CAPSCREW 1/2 NC x 2 LG.	2
17	6-5208-20	CAPSCREW 1/2 NC x 2 1/2 LG.	4
18	1-1208	MOUNT / RADIATOR	2
19	6-6212-08	FLATWASHER 1/2	8
20	6-6211-08	LOCKWASHER 1/2	8
21	6-6201-08	HEX NUT 1/2 NC	6
22	7-190-02	WASHER / CENTER BONDED RUBBER MT.	4
23	4-1685	FAN GUARD / 18 IN. FAN	1
24	6-5205-08	CAPSCREW 5/16 NC x 1 LG.	4
25	6-6211-05	LOCKWASHER 5/16	4
26	6-6212-06	FLATWASHER 3/8	4
27	7-343-02	SPACER / FAN / 1 1/2 (2 REQ.)	REF
28	3-1430-2	MOUNT / ENGINE / LH	1
29	6-6252-10	CLAMP / RADIATOR HOSE / 2 3/4	1
30	7-126-517	GASKET / PUMP DRIVE	1
31	6-5208-18	CAPSCREW 1/2 NC x 2 1/4 LG.	4
32	2-1236	MOUNT / LOWER RADIATOR / BOLT-ON	2

TRANSMISSION  
PARTS BOOK  
SS-636C SS-644C SS-848C

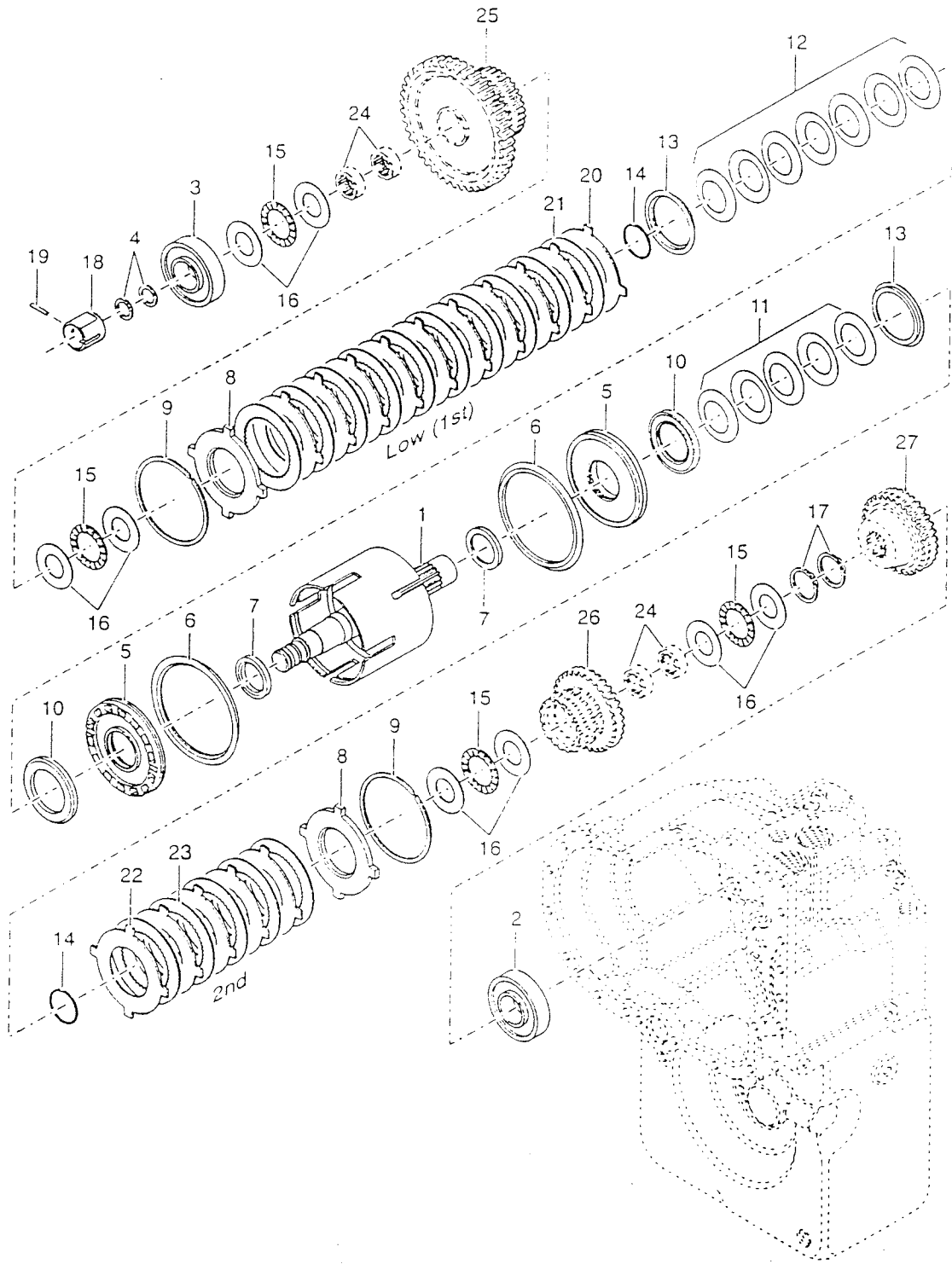


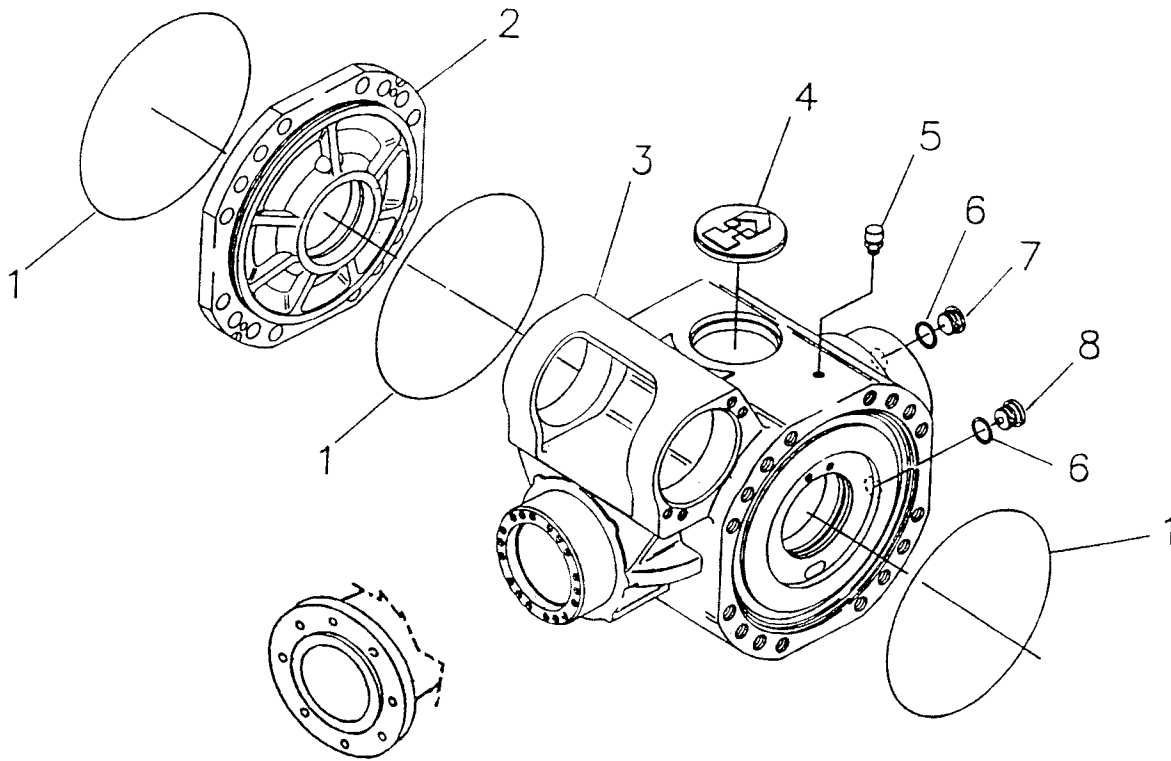
DATE: 8-30-99  
CLARK T12000 SERIES  
INTERMEDIATE DROP

TEREX HANDLERS  
455 N. Superior Ave., Baraga, MI 49908-0248  
PH: (906) 353-6675; FAX: (906) 353-7543  
INTERNET: <http://www.sqshooter.com>

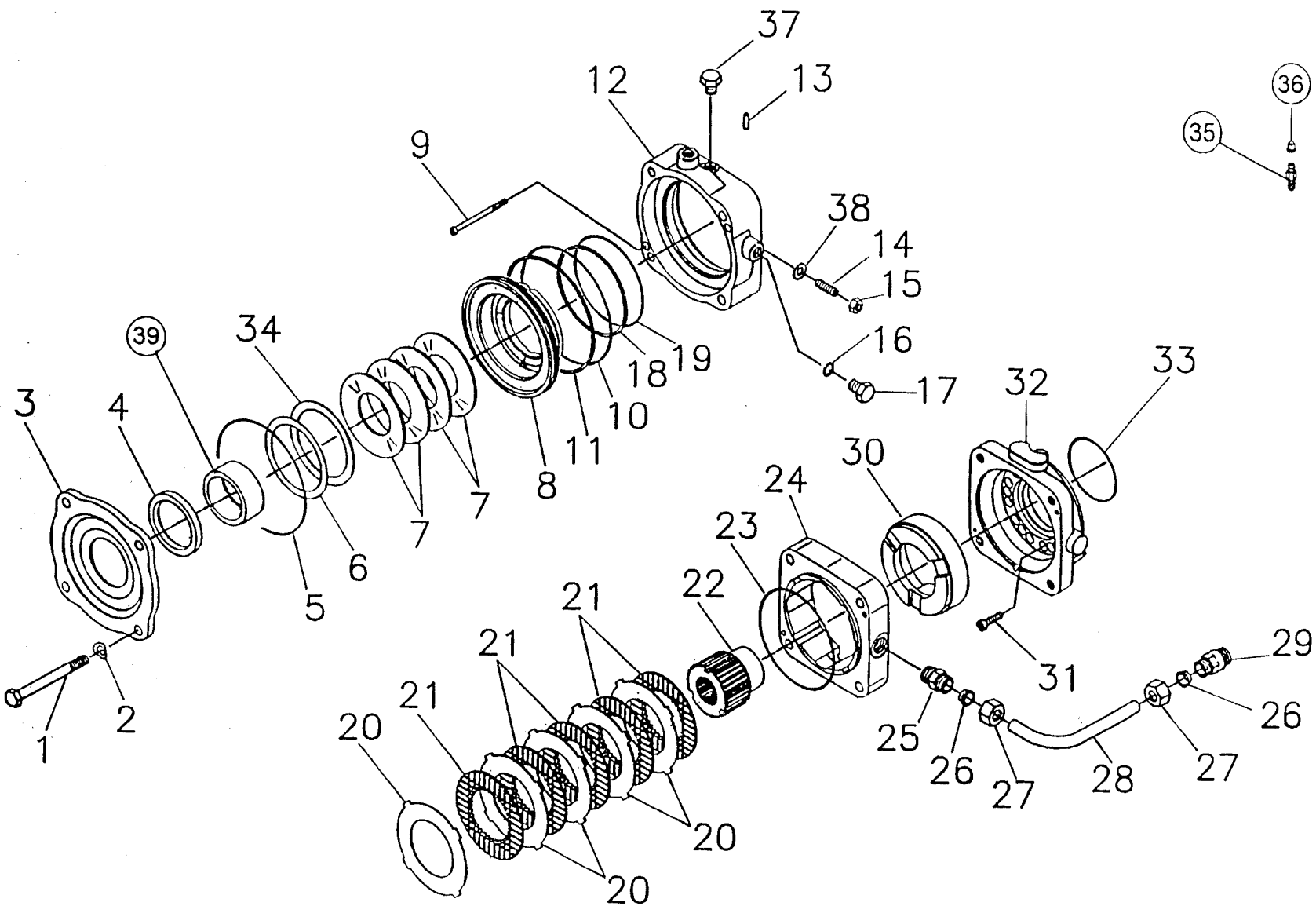


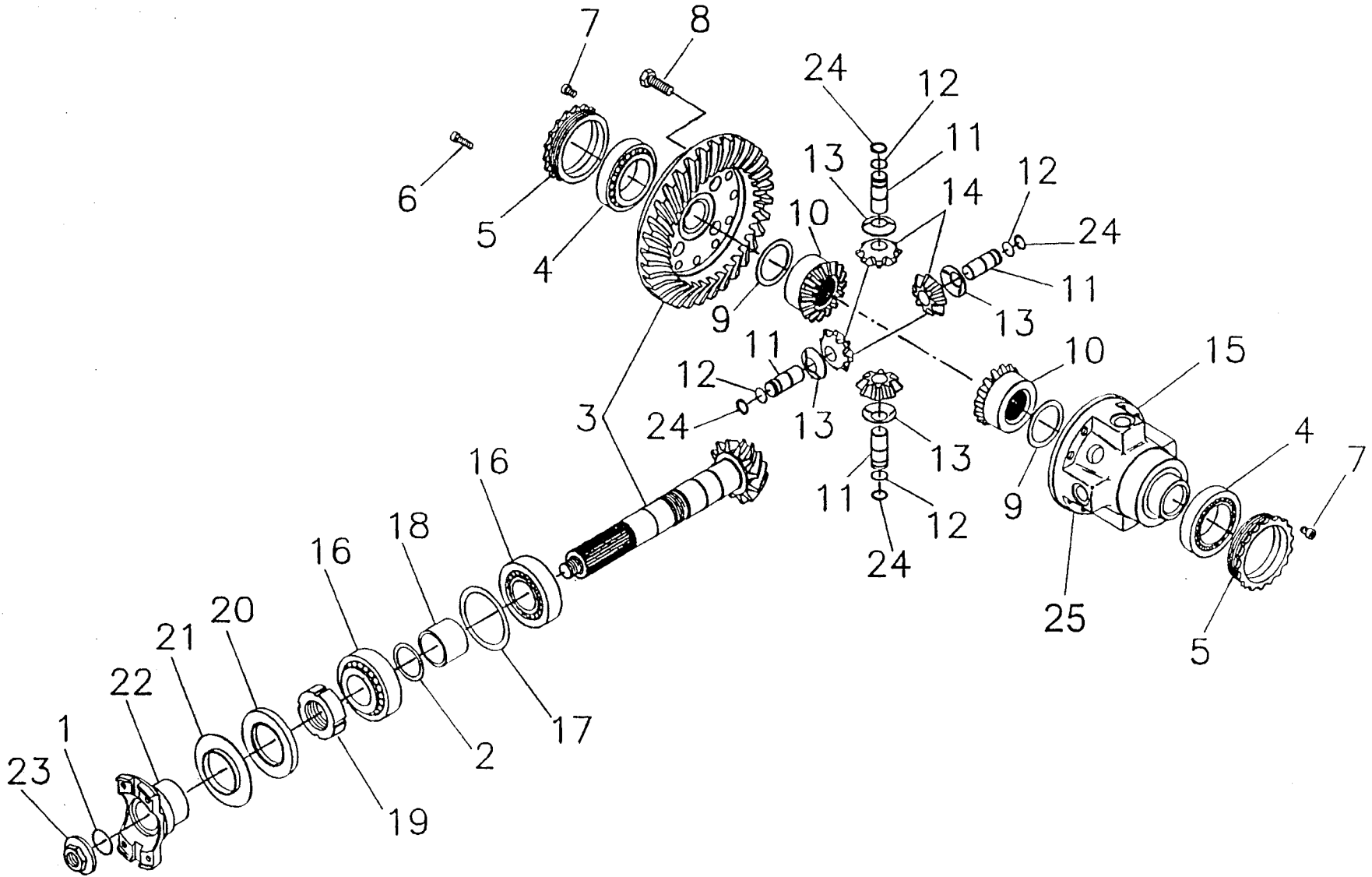
5. PAGE NUMBER	PUMP DRIVE GROUP T12000 SERIES TRANSMISSION	DRAWING NUMBER P1-1248
----------------	--	------------------------





ITEM	NUMBER	DESCRIPTION	REQD
1	7-229-520	O-RING	3
2	7-229-521	INTERMEDIATE COVER	1
3	7-229-626	HOUSING	1
4	7-229-670	PLUG	1
5	7-229-524	VENT	1
6	7-229-525	SEAL WASHER	2
7	7-229-526	PLUG	1
8	7-229-527	MAGNETIC PLUG	1





Position Kit N° 25 = 9+10+11+12+13+14+15+24

CLICK HERE TO **DOWNLOAD** THE COMPLETE MANUAL

- Thank you very much for reading the preview of the manual.
- You can download the complete manual from: [www.heydownloads.com](http://www.heydownloads.com) by clicking the link below



- Please note: If there is no response to CLICKING the link, please download this PDF first and then click on it.

CLICK HERE TO **DOWNLOAD** THE COMPLETE MANUAL