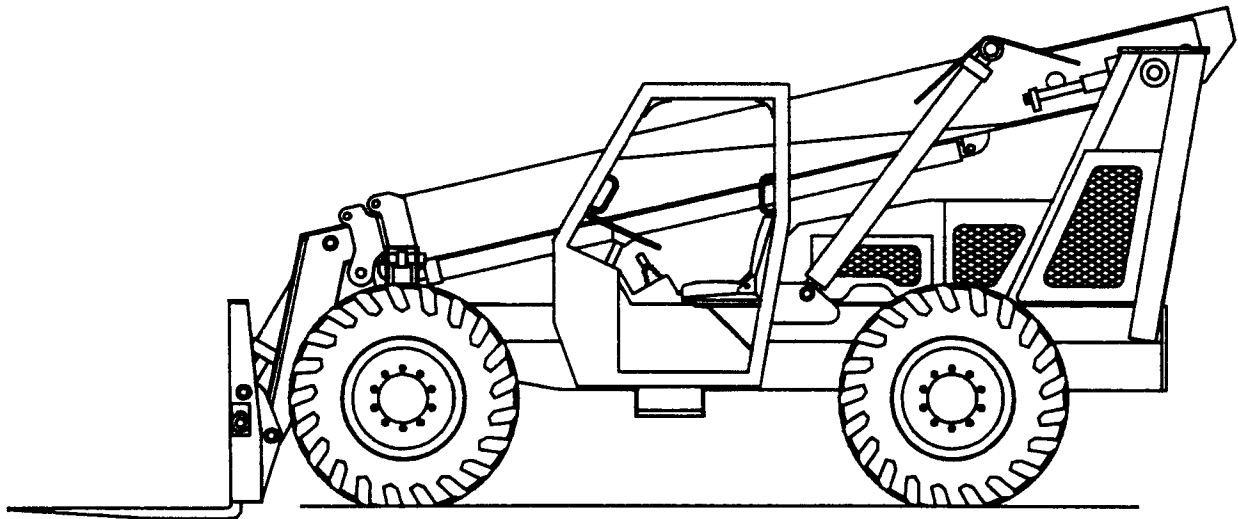


# SQUARE SHOOTER PARTS BOOK SS-836



DATE: 7-4-97

JOHN DEERE 4045 ENGINE  
7-316 HYDRAULIC CYLINDERS  
INTERMEDIATE DROP TRANSMISSION  
REXROTH HYDRAULIC PUMP

TEREX HANDLERS

455 N. Superior Ave., Baraga, MI 49908-0248

PH: (906) 353-6675; FAX: (906) 353-7543

INTERNET: <http://www.sqshooter.com>

CLICK HERE TO **DOWNLOAD** THE COMPLETE MANUAL

- Thank you very much for reading the preview of the manual.
- You can download the complete manual from: [www.heydownloads.com](http://www.heydownloads.com) by clicking the link below

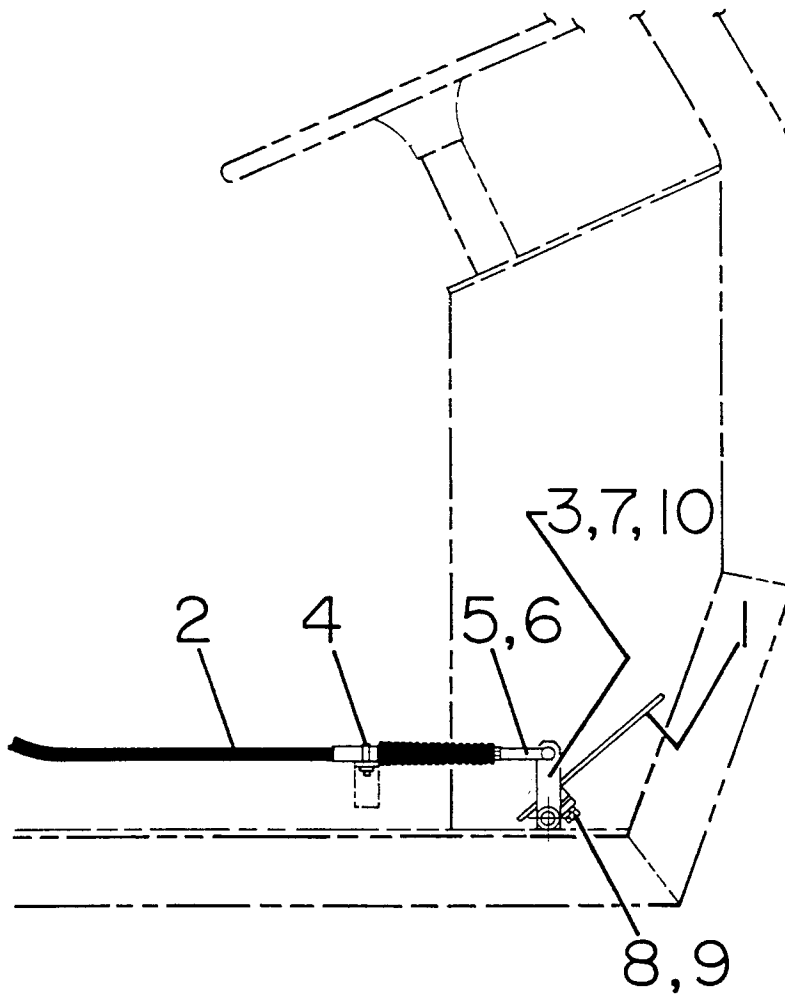


- Please note: If there is no response to CLICKING the link, please download this PDF first and then click on it.

CLICK HERE TO **DOWNLOAD** THE COMPLETE MANUAL

ITEM NUMBER	DESCRIPTION	REQD
1	7-331-01 STEERING ORBITRAL	REF
2	7-331-02 STEERING COLUMN	1
3	7-318-01 STEERING WHEEL	1
4	7-318-02 HORN BUTTON KIT	1
5	7-331-24 NUT / STEERING WHEEL (w/ ITEM 2)	REF
6	6-5206-18 CAPSCREW 3/8 NC x 2 1/4 LG.	2
7	6-6211-06 LOCKWASHER 3/8	4
8	6-6212-06 FLATWASHER 3/8	2
9	7-200-81 CONTROLLER / 4-WAY	REF
10	6-5204-08 CAPSCREW 1/4 NC x 1 LG.	4
11	6-6211-04 LOCKWASHER 1/4	4
12	6-6212-04 FLATWASHER 1/4	4
13	6-6201-04 HEX NUT 1/4 NC	4
14	7-127-11 SWITCH / STEERING SELECT	REF
15	6-6286-10 FLATWASHER #8	2
16	1-1029 SPACER / ORBITRAL	2
17	7-197-01 SEAT	1
18	6-6211-05 LOCKWASHER 5/16	4
19	6-6201-05 HEX NUT 5/16 NC	4
20	7-337-01 SEAT BELT	1
21	6-5206-06 CAPSCREW 3/8 NC x 3/4 LG.	2
22	4-1598-1 SEAT SUPPORT	1
23	4-1598-2 SEAT MOUNT	1
24	6-5205-08 CAPSCREW 5/16 NC x 1 LG.	4
25	6-5205-32 CAPSCREW 5/16 NC x 4 LG.	2
26	6-6211-05 LOCKWASHER 5/16	6
27	6-6201-05 HEX NUT 5/16 NC	6
28	7-283-01 LEVEL GAGE	1
29	6-6284-03 MACHINE SCREW 8-32 x 1 LG.	2
30	6-6286-02 HEX NUT 8-32	2
31	6-6286-11 STARWASHER / INTERNAL #8	2

ITEM	NUMBER	DESCRIPTION	REQD
55	6-6301	LUBE FITTING 1/8 NPT ST.	6
56	6-6600-02	THRUST WASHER 3/16 x 3 OD	4
57	6-6600-03	THRUST WASHER 3/16 x 3 OD	2
58	4-1074-5	ROLLER / BOTTOM-FRONT-LARGE	2
59	4-1074-4	ROLLER / TOP-FRONT-LARGE-MIDDLE	4
60	6-6215-24	FLATWASHER 1 1/2	8
61	4-1073-5	PIN / TOP-FRONT-LARGE	1
62	4-1073-6	PIN / BOTTOM-FRONT-LARGE	1
63	3-1035-3	CHAIN ANCHOR / THD. 646	2
64	2-1052-1	PIN / CHAIN ANCHOR	5
65	1-1012	LEAF CHAIN / 646	2
66	2-1090	PIN / BASE BOOM CYLINDER	REF
67	6-5206-22	CAPSCREW 3/8 NC x 2 3/4 LG.	REF
68	1-1011	ROLLER CHAIN / 60 (1)	REF
69	7-193-06	NEEDLE BEARING / 2 ID	8
70	4-1074-6	ROLLER / BOTTOM-FRONT-MIDDLE	2
71	4-1074-7	CHAIN SHEAVE / 646	2
72	4-1073-4	PIN / TOP-FRONT-MIDDLE	1
73	4-1073-7	PIN / BOTTOM-FRONT-MIDDLE	1
74	4-1073-8	PIN / COPY IDLER SPROCKET (1)	REF
75	4-1073-9	PIN / COPY SPROCKET (1)	REF
76	4-1079-3	SPROCKET / 11 TEETH (1)	REF
77	4-1079-2	SPROCKET / 17 TEETH (1)	REF
78	7-193-03	NEEDLE BEARING / 3/4 ID (1)	REF
79	6-7014-294	HOSE / 08 x 10 x 147 LG.	REF
80	6-7014-294	HOSE / 08 x 10 x 147 LG.	REF
81	6-6238-14	ROLL PIN 3/8 x 1 3/4 LG. (1)	REF
82	6-6236-10	ROLL PIN 1/4 x 1 1/4 LG. (1)	REF
83	7-273-14	CLAMP ASSY / 1/2 HOSE / DOUBLE	REF
84	6-6201-08	HEX NUT 1/2 NC	REF
85	2-1051	MANIFOLD BLOCK	REF
86	6-5206-06	CAPSCREW 3/8 NC x 3/4 LG.	6
87	3-1089	COVER / REAR ACCESS	1
88	3-1039-2	CHAIN ANCHOR / COPY (1)	REF
89	3-1038	CHAIN ADJUSTER (1)	REF
90	7-261-04	CONNECTING LINK / WITH CLIP (2)	REF
91	3-1037-2	CHAIN ANCHOR / 666	1
92	6-6215-16	FLATWASHER 1.0	3
93	6-6202-10	JAM NUT 5/8 NF (1)	REF
94	6-7004-690	HOSE / 08 x 08 x 345 LG.	REF
95	6-5208-30	CAPSCREW 1/2 NC x 3 3/4 LG.	REF
96	7-316-03	CYLINDER / TILT	REF
97	3-1054-1	PIN / BASE TILT CYLINDER	REF
98	2-1050	CLAMP / 1/2 HOSE	1
99	6-5206-18	CAPSCREW 3/8 NC x 2 1/4 LG.	2
100	7-142-01	SELF-LOCKING NUT / 1.00-12 THD.	4
101	2-1087-1	ADJUSTER ROD	1
102	6-6275-05	SETSCREW 5/8 NC x 1 LG.	1
103	3-1091	GUARD / TILT VALVE	1
104	7-194-01	SPRING / COMPRESSION	1
105	6-5208-40	CAPSCREW 1/2 NC x 5 LG.	REF
106	6-6452-04	FITTING / 08 OR x 08 JIC 45	REF
107	6-6453-09	FITTING / 08 OR x 08 JIC 90	REF
108	2-1087-2	SPACER	1



ITEM	NUMBER	DESCRIPTION	REQD
1	3-1080	PEDAL / ACCELERATOR	1
2	7-266-02	CABLE / ACCELERATOR	1
3	3-1081	LINKAGE / ACCELERATOR	1
4	7-194-07	U-BOLT W/ NUTS	1
5	7-194-05	YOKE W/ CLEVIS PIN & COTTER PIN	1
6	6-6208-04	JAM NUT 1/4-28 W/ CABLE	REF
7	6-6306	LUBE FITTING / 1/4-28 STR.	3
8	6-5204-08	CAPSCREW 1/4 NC x 1 LG.	2
9	6-6211-04	LOCKWASHER 1/4	2
10	7-194-06	SHIM / AS REQD	2

ITEM	NUMBER	DESCRIPTION	REQD
1	7-172-02	GAGE / FUEL	REF
2	7-172-04	GAGE / ENGINE OIL PRESSURE	REF
3	7-172-10	GAGE / VOLTMETER	REF
4	7-172-08	GAGE / ENGINE WATER TEMP.	REF
5	7-172-11	GAGE / TRANSMISSION OIL PRESSURE	REF
6	7-172-06	GAGE / TRANSMISSION OIL TEMP.	REF
7	7-127-10	SWITCH / IGNITION / KEY	REF
8	7-268-01	FUSE HOLDER / MAIN / IGNITION	REF
9	7-319-02	SWITCH / HEADLIGHTS	REF
10	7-127-04	SWITCH / SWAY CONTROL	REF
11	7-338-01	HEADLIGHT	REF
12	7-200-07	SWITCH / SQUARE SHOOT	REF
13	7-206-07	RELAY / SQUARE SHOOT	1
14	7-172-16	SENDER / TRANS OIL PRESSURE	1
15	7-172-07	SENDER / TRANS OIL TEMP.	1
16	7-126-96	SWITCH / NEUTRAL START	REF
17	7-303-01	PRESSURE SWITCH / REV.	1
18	7-268-01	FUSE HOLDER / OPTIONAL / ROTATE	REF
19	7-268-01	FUSE HOLDER / GAGES / SWAY	REF
20	7-172-05	SENDER / ENGINE OIL PRESSURE	1
21	7-172-09	SENDER / ENGINE WATER TEMP.	1
22	7-183-18	RELAY / STARTER	REF
23	7-231-02	PRESSURE SWITCH / HOURMETER	1
24	7-172-01	HOURMETER	1
25	7-251-01	BATTERY / 12 VOLT	1
26	7-136-02	LIGHT / BACK-UP	REF
27	7-136-03	LIGHT / TAIL-BRAKE	REF
28	7-213-01	BACK-UP ALARM	1
29	7-244-12	COIL / SQUARE SHOOT	REF
30	7-244-12	COIL / SWAY CONTROL	REF
31	7-206-03	PRESSURE SWITCH / BRAKE LIGHT	REF
32	7-228-01	HORN	1
33	7-206-04	RELAY / HORN	1
34	7-268-01	FUSE HOLDER / SQ.SHOOT / BRAKE	REF
35	4-1808	HARNESS / MAIN POWER / VALVE	1
36	4-1807	HARNESS / INSTRUMENT PANEL	1
37	3-1358	HARNESS / TRANSMISSION	1
38	4-1806	HARNESS / ENGINE	1
39	7-172-03	SENDER / FUEL	1
40	6-7801-180B	BATTERY CABLE / RED	1
41	6-7802-88B	BATTERY CABLE / BLACK	1
42	7-281-01	DIODE / PUMP DESTROKE	1
43	6-5204-04	CAPSCREW 1/4 NC x 1/2 LG.	1
44	6-6211-04	LOCKWASHER 1/4	1
45	6-5206-04	CAPSCREW 3/8 NC x 1/2 LG.	2
46	6-6211-06	LOCKWASHER 3/8	2
47	7-268-01	FUSE HOLDER / HORN	REF
48	7-281-01	DIODE / ALTERNATOR	1
49	7-319-03	PUSHBUTTON / PUMP DESTROKE	REF
50	2-1185	HARNESS / PUMP DESTROKE	1
51	1-1198	HARNESS / CONTROLLER RELIEF	1
52	7-244-50	VALVE / CONTROLLER RELIEF	REF

7-4-97-28A/1

DRAWING  
NUMBER P4-1822WIRING DIAGRAM  
SS-636 / SS-836PAGE  
NUMBER 28A

ITEM	NUMBER	DESCRIPTION	REQD
1	6-6436-01	FITTING / 20 NPT x 20 OR STR	1
2	6-6453-25	FITTING / 20 OR x 16 JIC 90	1
3	6-6453-24	FITTING / 16 OR x 10 JIC 90	2
4	6-6402-14	FITTING / 20 NPT COUPLING	1
5	6-6416-16	FITTING / 20 NPT x 8 LG. NIPPLE	1
6	6-6450-27	FITTING / 16 OR x 16 JIC STR	1
7	6-6450-14	FITTING / 12 OR x 08 JIC STR	1
8	6-6452-08	FITTING / 12 OR x 12 JIC 45	1
9	6-6450-12	FITTING / 08 OR x 08 JIC STR	1
10	6-6408-06	FITTING / 12 NPT FLUSH PLUG	1
11	6-6408-07	FITTING / 16 NPT FLUSH PLUG	1
12	6-6432-15	FITTING / 08 NPT x 08 JIC RN-TEE	1
13	6-6450-16	FITTING / 10 OR x 10 JIC STR	1
14	4-1421-1	FITTING / SUCTION	1
15	7-209-66	O-RING / SUCTION FITTING	1
16	2-1121	SUCTION ELBOW / 2 1/4 ID x 90	1
17	7-272-06	T-HOSE CLAMP	2
18	6-5208-16	CAPSCREW 1/2 NC x 2 LG.	4
19	4-1421-8	TANK NIPPLE / 2 NPT x 8 1/8 LG.	1
20	7-158-36	SPLIT FLANGE HALF	2
21	7-209-67	O-RING / PRESSURE SIDE	1
22	7-345-01	PUMP ASSEMBLY	REF
23	7-244-27	DIN CONNECTOR	1
24	7-234-75	CONTROL BLOCK ASSEMBLY	REF
25	3-1082-2	MOUNT / CONTROL BLOCK	1
26	6-5205-06	CAPSCREW 5/16 NC x 3/4 LG.	4
27	6-6211-05	LOCKWASHER 5/16	4
28	6-5206-06	CAPSCREW 3/8 NC x 3/4 LG.	7
29	6-6211-06	LOCKWASHER 3/8	7
30	7-200-80	VALVE ASSEMBLY / 3 SECTION	REF
31	3-1208	MOUNT / PRESSURE FILTER	1
32	7-256-16	PRESSURE FILTER	1
33	7-256-04	ELEMENT / PRESSURE FILTER	REF
34	6-5206-08	CAPSCREW 3/8 NC x 1 LG.	3
35	6-6211-06	LOCKWASHER 3/8	5
36	6-5206-14	CAPSCREW 3/8 NC x 1 3/4 LG.	2
37	6-6201-06	HEX NUT 3/8 NC	2
38	7-256-23	FILTER / RETURN	REF
39	7-256-03	GAGE / RETURN FILTER	REF
40	7-256-05	ELEMENT / RETURN FILTER	REF
41	6-6495-01	FITTING / 08 x 04 JIC RED.- EXP.	REF
42	6-6211-08	LOCKWASHER 1/2	4
43	6-7014-60	HOSE / 08 x 10 x 30 LG.	1
44	6-7014-88	HOSE / 08 x 10 x 44 LG.	1
45	6-7148-43	HOSE / 16 x 16 x 21.5 LG.	1
46	6-7156-70	HOSE / 12 x 16-90 SF x 35 LG.	1
47	6-7004-70	HOSE / 08 x 08 x 35 LG.	1
48	7-253-01	BREATHER / RESERVOIR / 3 PSI	1
49	6-5206-10	CAPSCREW 3/8 NC x 1 1/4 LG.	4
50	6-6211-06	LOCKWASHER 3/8	4
51	7-265-01	CAP / RESERVOIR	1
52	7-265-03	STRAINER / RESERVOIR CAP	1

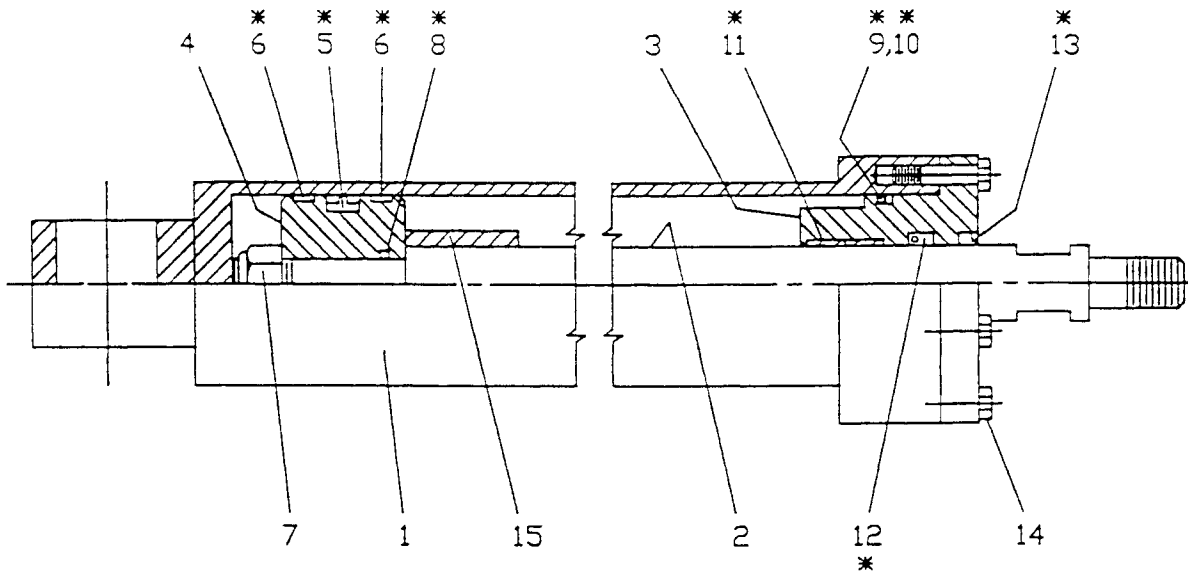
7-4-97-31A/1

DRAWING  
NUMBER

P4-1290

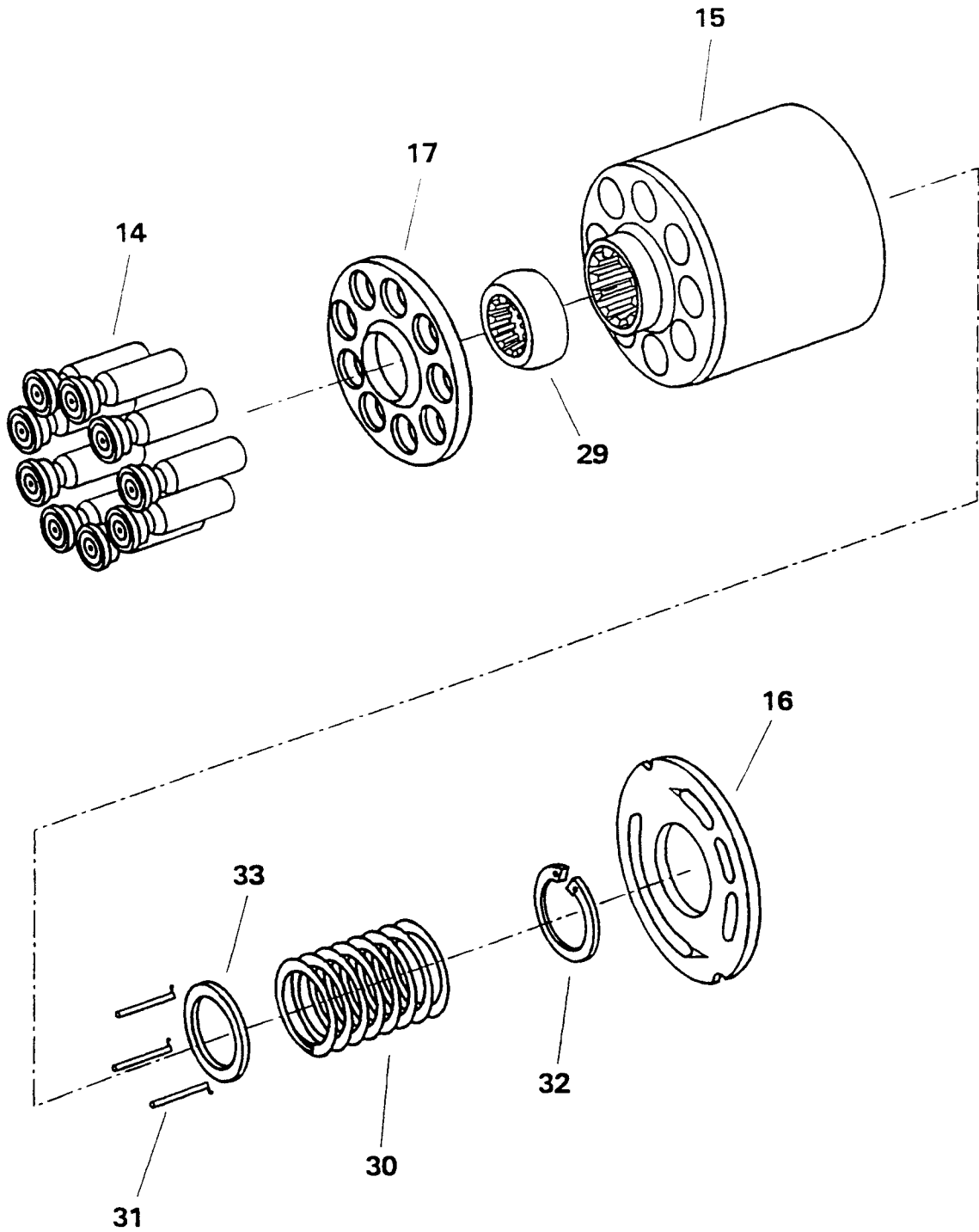
CIRCUIT / PUMP / OIL RESERVOIR  
SS-836 SQUARE SHOOTERPAGE  
NUMBER 31A

ITEM	NUMBER	DESCRIPTION	REQD
1	6-6450-05	FITTING / 06 OR x 04 JIC STR	2
2	6-6453-04	FITTING / 06 OR x 04 JIC 90	3
3	7-302-01	MALE PRESSURE CHECK	2
4	6-6495-01	FITTING / 08 x 04 JIC RED.EXP.(1)	REF
5	6-6432-15	FITTING / 08 NPT x 08 JIC RN-TEE	REF
6	6-7022-144	HOSE / 04 x 04-90 x 72 LG. (1)	REF
7	6-7002-130	HOSE / 04 x 04 x 65 LG. (1)	REF
8	6-7002-130	HOSE / 04 x 04 x 65 LG. (1)	REF
9	6-7002-130	HOSE / 04 x 04 x 65 LG. (1)	REF
10	6-7022-144	HOSE / 04 x 04-90 x 72 LG. (1)	REF
11	6-7002-62	HOSE / 04 x 04 x 31 LG.	1
12	6-7002-62	HOSE / 04 x 04 x 31 LG.	1
13	6-7002-38	HOSE / 04 x 04 x 19 LG.	1
14	6-7002-42	HOSE / 04 x 04 x 21 LG.	1
15	6-7002-38	HOSE / 04 x 04 x 19 LG.	1
16	6-7022-28	HOSE / 04 x 04-90 x 14 LG.	1
17	7-200-82	CONTROLLER / AUTO	REF
18	7-302-02	FEMALE PRESSURE CHECK	1
19	6-6450-03	FITTING / 04 OR x 04 JIC STR (1)	REF
20	7-234-75	CONTROL BLOCK	REF
21	7-234-07	LOGIC BLOCK	REF
22	3-1082-1	MOUNT / LOGIC BLOCK	1
23	6-5205-06	CAPSCREW 5/16 NC x 3/4 LG.	3
24	6-6211-05	LOCKWASHER 5/16	3
25	6-5206-06	CAPSCREW 3/8 NC x 3/4 LG.	4
26	6-6211-06	LOCKWASHER 3/8	4
27	7-234-50	VALVE / TILT LIMITER	REF
28	6-6452-19	FITTING / 06 OR x 04 JIC 45	1
29	7-256-27	MALE PRESSURE CHECK	4
30	7-256-28	FEMALE PRESSURE CHECK	1



ITEM	NUMBER	DESCRIPTION	REQD
1	7-316-133	TUBE WELDMENT	1
2	7-316-123	SHAFT	1
3	7-316-103	HEAD	1
4	7-316-113	PISTON	1
5	7-316-53	SEAL / PISTON (*)	1
6	7-316-64	WEAR RING / PISTON (*)	2
7	7-316-73	SELF-LOCKING NUT	1
8	7-316-80	O-RING / STUB SHAFT (*)	1
9	7-316-85	O-RING / HEAD (*)	1
10	7-316-86	BACK-UP RING / HEAD (*)	1
11	7-316-45	WEAR RING / HEAD (*)	2
12	7-316-25	SEAL / SHAFT (*)	1
13	7-316-35	WIPER / SHAFT (*)	1
14	7-316-95	CAPSCREW 7/16	8
15	7-316-143	SPACER	1
16			
17	7-900-23	SEAL KIT / ITEMS MARKED (*)	REF

ITEM 2  
ROTARY GROUP CCW  
PARTS BREAKDOWN



7-4-97-62A/1

DRAWING  
NUMBER P4-1814

HYRAULIC PUMP ASSEMBLY / 7-345-54  
SS-836 SQUARE SHOOTER

PAGE  
NUMBER 62A

CLICK HERE TO **DOWNLOAD** THE COMPLETE MANUAL

- Thank you very much for reading the preview of the manual.
- You can download the complete manual from: [www.heydownloads.com](http://www.heydownloads.com) by clicking the link below



- Please note: If there is no response to CLICKING the link, please download this PDF first and then click on it.

CLICK HERE TO **DOWNLOAD** THE COMPLETE MANUAL