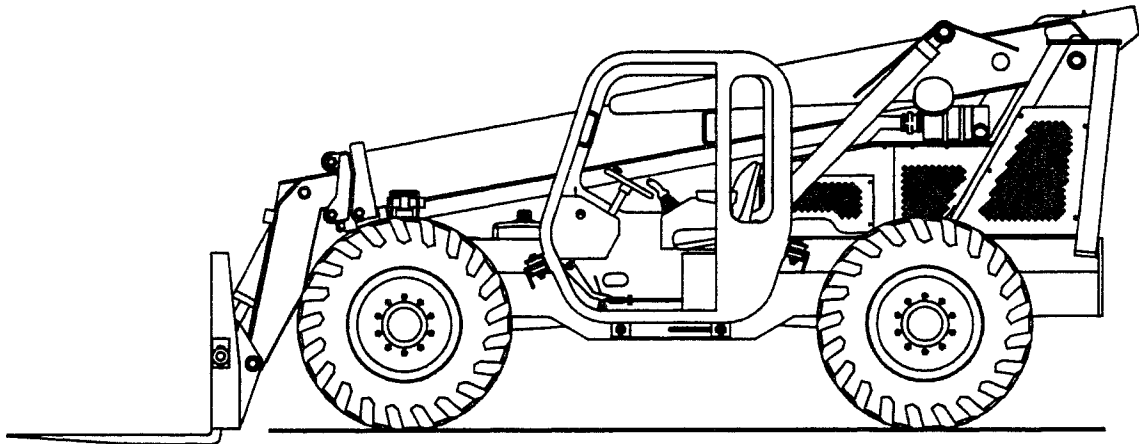


# SQUARE SHOOTER PARTS BOOK SS-636C



DATE: 12-28-99

CUMMINS 4B3.9-C-100 TURBO

DANA 212 AXLES

CLARK T12000 TRANSMISSION

REMOTE MOUNTED CAB

REXROTH HYDRAULIC PUMP

DAVID BROWN SECTIONAL MAIN VALVE

DAVID BROWN 4-WAY CONTROLLER

Serial Number: \_\_\_\_\_

TEREX HANDLERS

455 N. Superior Ave., Baraga, MI 49908-0248

PH: (906) 353-6675; FAX: (906) 353-7543

INTERNET: <http://www.sqshooter.com>

CLICK HERE TO **DOWNLOAD** THE COMPLETE MANUAL

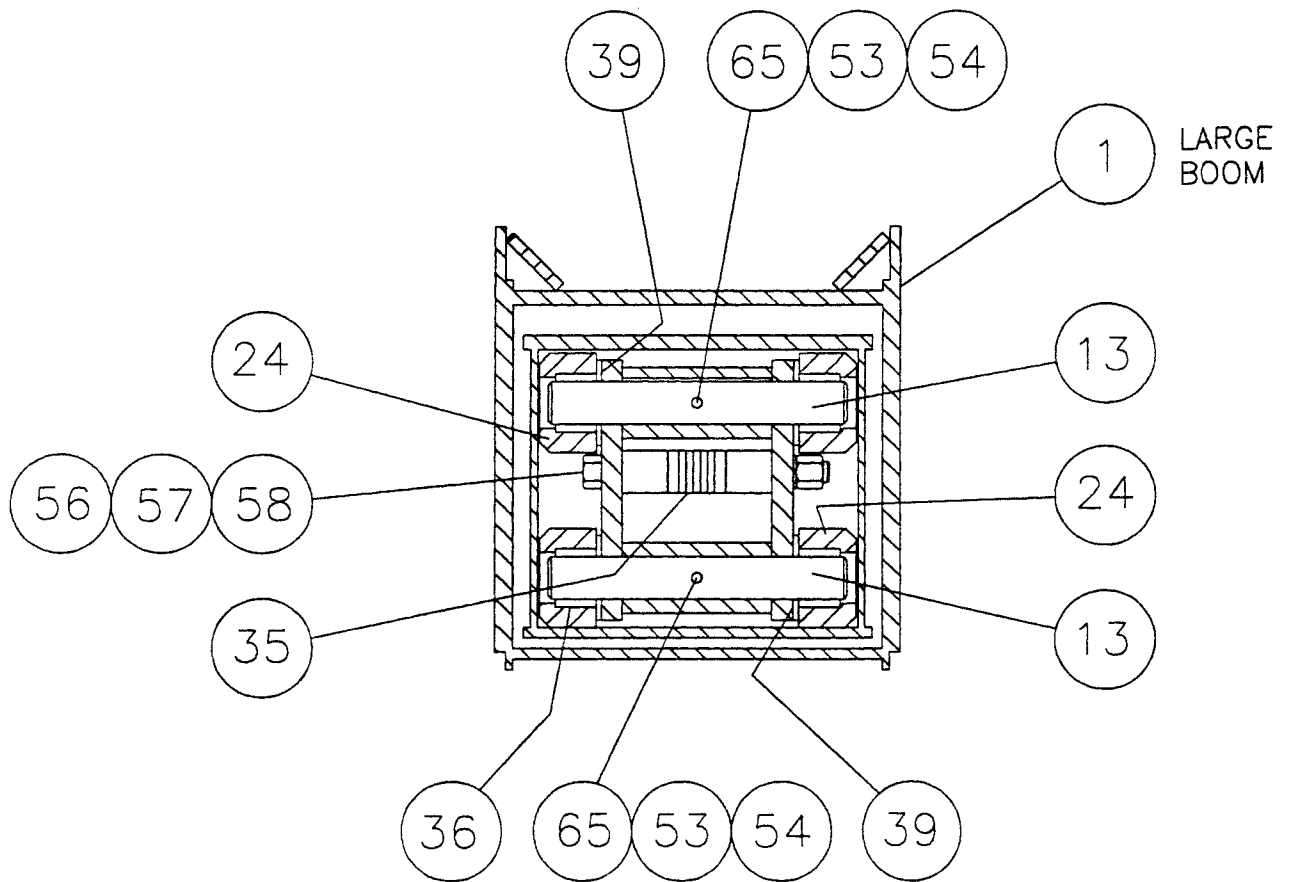
- Thank you very much for reading the preview of the manual.
- You can download the complete manual from: [www.heydownloads.com](http://www.heydownloads.com) by clicking the link below



- Please note: If there is no response to CLICKING the link, please download this PDF first and then click on it.

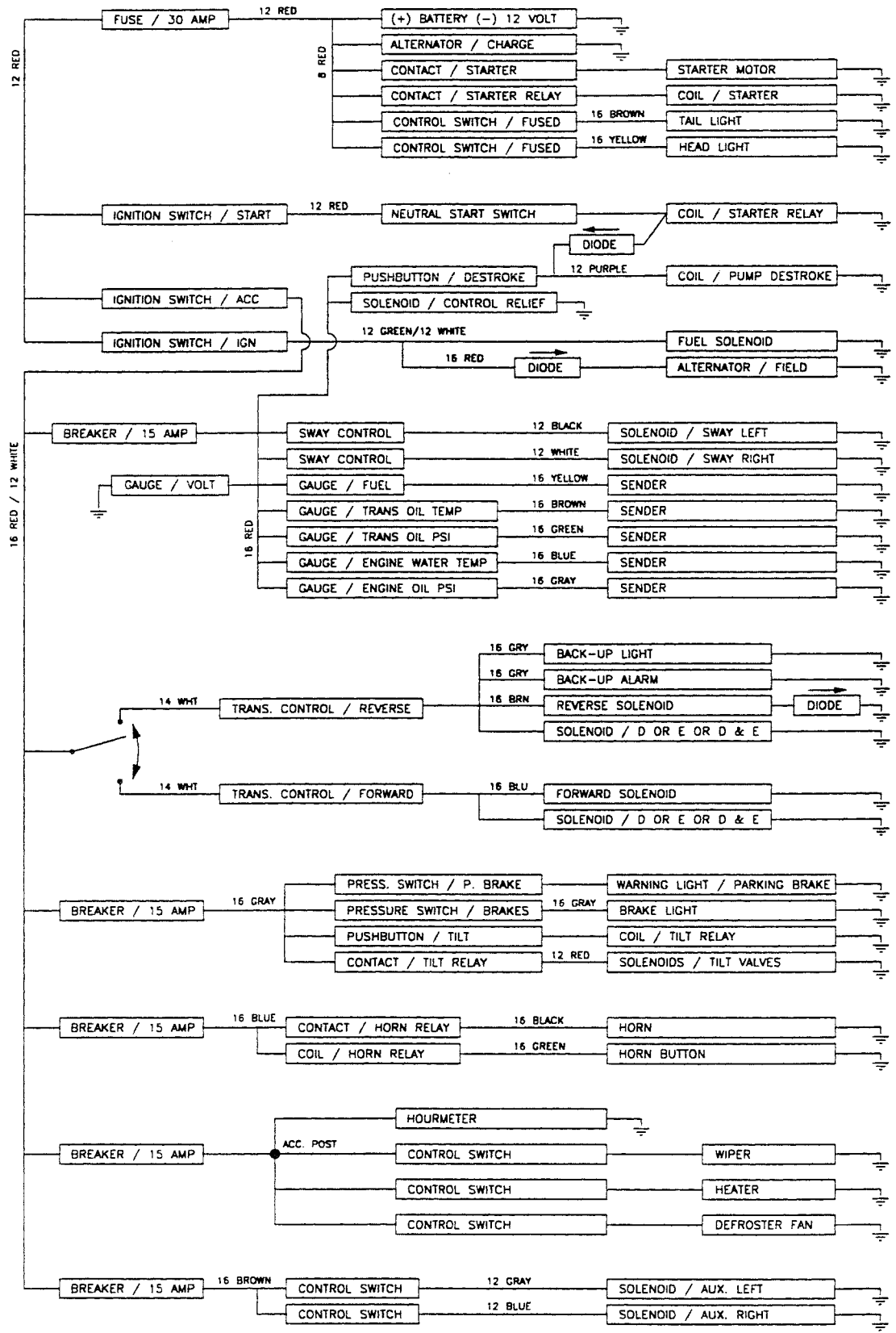
CLICK HERE TO **DOWNLOAD** THE COMPLETE MANUAL

ITEM	NUMBER	DESCRIPTION	REQD
1	7-197-01	SEAT	1
2	7-337-01	SEAT BELT	1
3	7-104-01	LEVEL GAGE	1
4	4-1861-1	GLASS / SKYLIGHT	1
5	6-4110-07	GLASS / REAR WINDOW	1
6	6-9608-720	RUBBER / REAR WINDOW	1
7	6-5204-04	CAPSCREW 1/4 NC x 1/2 LG.	12
8	6-6212-04	FLATWASHER 1/4	12
9	6-9601-133	EDGING 1/4 x 16 5/8 LG.	4
10	2-1230	DECAL / LOAD CHART / SS-636C	REF
11	7-256-32	NUT / STEERING WHEEL (w/ ITEM 12)	REF
12	7-256-71	STEERING ORBITRAL	1
13	7-352-01	STEERING WHEEL	1
14	7-352-02	HORN BUTTON KIT	1
15	6-5206-06	CAPSCREW 3/8 NC x 3/4 LG.	2
16	6-6211-06	LOCKWASHER 3/8	2
17	6-6212-06	FLATWASHER 3/8	2
18	6-6201-06	HEX NUT 3/8 NC	2
19	7-351-01	TRANSMISSION CONTROL	1
20	6-6284-08	MACHINE SCREW #10-32 x 3/4 LG.	4
21	6-6286-06	HEX NUT #10-32	4
22	6-6286-12	FLATWASHER #10	4
23	6-6286-07	LOCKWASHER #10	4
24	6-9601-80	EDGING 1/4 x 10 LG.	1
25	6-9601-664	EDGING 1/4 x 83 LG.	1
26	4-1832	CONTROLLER MOUNT / ARMREST	1
27	6-9601-144	EDGING 1/4 x 18 LG.	1
28	4-1819-2	VANDAL COVER / UNDER DASH	REF
29	4-1819-3	COVER / SEAT MOUNT	REF
30	7-290-01	BODY BOLT 5/16 NC x 3/4 LG.	4
31	6-6211-04	LOCKWASHER 1/4	4
32	7-194-09	GROMMET	1



VIEW OF REAR ROLLERS  
MOUNTED TO SMALL BOOM

ITEM	NUMBER	DESCRIPTION	REQD
1	7-198-43	ACTUATOR / BRAKE	REF
2	3-1148	PEDAL / BRAKE	1
3	6-6307	LUBE FITTING 1/4-28 THD. / 90	1
4	1-1008	YOKE / BRAKE	1
5	1-1009	PUSH ROD	1
6	2-1117	PIN / BRAKE PEDAL	1
7	6-6261-12	CLEVIS PIN 1/2 x 1 1/2 LG.	1
8	6-6245-08	COTTER PIN 5/32 x 1 LG.	1
9	6-5206-10	CAPSCREW 3/8 NC x 1 1/4 LG.	2
10	6-6211-06	LOCKWASHER 3/8	5
11	6-6202-08	HEX NUT 1/2 NF	1
12	6-5205-14	CAPSCREW 5/16 NC x 1 3/4 LG.	1
13	6-6211-05	LOCKWASHER 5/16	1
14	6-6201-05	HEX NUT 5/16 NC	1
15	6-5206-08	CAPSCREW 3/8 NC x 1 LG.	3
16	4-1582	MOUNT / BRAKE PEDAL	1



ITEM	NUMBER	DESCRIPTION	REQD
1	6-6453-04	FITTING / 06 OR x 04 JIC 90	1
2	7-234-02	VALVE / MOTION / BASE TILT	REF
3	6-5606-14	CAPSCREW SH 3/8 NC x 1 3/4 LG.	4
4	6-6214-06	LOCKWASHER 3/8 HI-COLLAR	4
5	6-6453-04	FITTING / 06 OR x 04 JIC 90	1
6	6-7022-60	HOSE / 04 x 04-90 x 30 LG.	1
7	6-7002-26	HOSE / 04 x 04 x 13 LG.	1
8	7-316-227	CYLINDER / TILT	REF
9	6-6453-04	FITTING / 06 OR x 04 JIC 90	1
10	6-7003-40	HOSE / 06 x 06 x 20 LG.	1
11	7-234-01	VALVE / MOTION / HEAD TILT	REF
12	6-5606-22	CAPSCREW SH 3/8 NC x 2 3/4 LG.	4
13	6-6214-06	LOCKWASHER 3/8 HI-COLLAR	4
14	6-6453-09	FITTING / 08 OR x 08 JIC 90	1
15	6-6452-04	FITTING / 08 OR x 08 JIC 45	1
16	6-6453-04	FITTING / 06 OR x 04 JIC 90	1
17	6-6453-06	FITTING / 06 OR x 06 JIC 90	2
18	6-7004-670	HOSE / 08 x 08 x 335 LG.	1
19	6-7004-670	HOSE / 08 x 08 x 335 LG.	1
20	6-6453-09	FITTING / 08 OR x 08 JIC 90	2
21	2-1051	MANIFOLD BLOCK	REF
22	6-6450-12	FITTING / 08 OR x 08 JIC STR	2
23	6-7014-260	HOSE / 08 x 10 x 130 LG.	2
24	6-6475-07	FITTING / 10 JIC BH-UNION STR	2
25	6-7025-120	HOSE / 10 x 10-90 x 60 LG.	1
26	6-7025-120	HOSE / 10 x 10-90 x 60 LG.	1
27	6-6480-07	FITTING / 10 JIC SW-BR-TEE	2
28	6-6485-03	FITTING / 10 OR x 10 JIC SW	1
29	7-234-50	VALVE / TILT LIMITER	REF
30	6-6450-05	FITTING / 06 OR x 04 JIC STR	1
31	6-7022-28	HOSE / 04 x 04-90 x 14 LG.	REF
32	6-6450-16	FITTING / 10 OR x 10 JIC STR	1
33	6-6450-15	FITTING / 08 OR x 10 JIC STR	2
34	6-6453-11	FITTING / 08 OR x 10 JIC 90	2
35	7-234-04	VALVE / DUAL CHECK	REF
36	6-7025-36	HOSE / 10 x 10-90 x 18 LG.	.1
37	6-7025-36	HOSE / 10 x 10-90 x 18 LG.	1
38	6-7005-32	HOSE / 10 x 10 x 16 LG.	1
39	6-7005-148	HOSE / 10 x 10 x 74 LG.	1
40	6-6481-07	FITTING / 10 JIC SW-RUN-TEE	2
41	6-6450-17	FITTING / 12 OR x 10 JIC STR	2
42	6-6452-17	FITTING / 12 OR x 10 JIC 45	2
43	6-5205-14	CAPSCREW 5/16 NC x 1 3/4 LG.	3
44	6-7005-126	HOSE / 10 x 10 x 74 LG.	1
45	6-7005-126	HOSE / 10 x 10 x 74 LG.	1
46	7-273-32	CLAMP HALF SET / 5/8 TWIN HOSE	2
47	6-7005-148	HOSE / 10 x 10 x 74 LG.	1
48	7-273-26	COVER PLATE / 5/8 HOSE CLAMP	2
49	6-5205-16	CAPSCREW 5/16 NC x 2 LG.	2
50	6-7002-100	HOSE / 04 x 04 x 50 LG.	1
51	6-6453-04	FITTING / 06 OR x 04 JIC 90	4
52	7-234-54	VALVE / MOTION / LIFT	REF

ITEM	NUMBER	DESCRIPTION	REQD
1	1-1093-2	RESTRICTOR PLUG (.060)	1
2	1-1219	RESTRICTOR FITTING	1
3	6-5204-12	CAPSCREW 1/4 NC x 1 1/2 LG.	2
4	6-5205-10	CAPSCREW 5/16 NC x 1 1/4 LG.	3
5	6-5205-20	CAPSCREW 5/16 NC x 2 1/2 LG.	3
6	6-5205-14	CAPSCREW 5/16 NC x 1 3/4 LG.	4
7	6-6201-04	HEX NUT 1/4 NC	2
8	6-6211-04	LOCKWASHER 1/4	2
9	6-6211-05	LOCKWASHER 5/16	7
10	6-6212-04	FLATWASHER 1/4	2
11	6-6450-06	FITTING / 08 OR x 04 JIC STR.	4
12	6-6450-08	FITTING / 06 OR x 06 JIC STR.	3
13	6-6452-19	FITTING / 06 OR x 04 JIC 45	2
14	6-6453-04	FITTING / 06 OR x 04 JIC 90	2
15	6-6453-06	FITTING / 06 OR x 06 JIC 90	1
16	6-6453-09	FITTING / 08 OR x 08 JIC 90	2
17	6-6454-06	FITTING / 08 OR x 08 JIC BR-TEE	2
18	6-6450-09	FITTING / 08 OR x 06 JIC STR.	1
19	6-6457-05	FITTING / 06 OR PLUG	1
20	6-7003-62	HOSE / 06 x 06 x 31 LG.	1
21	6-7004-36	HOSE / 08 x 08 x 18 LG.	2
22	6-7033-320	HOSE / 06 x 08-90 x 160 LG.	2
23	7-234-04	VALVE / DUAL CHECK	REF
24	7-244-27	DIN CONNECTOR	2
25	7-244-31	VALVE / ELECTRIC / SWAY	1
26	7-273-23	TOP PLATE / 3/8 HOSE CLAMP	3
27	7-273-27	CLAMP HALF SET / 3/8 TWIN HOSE	3
28	7-379-02	CYLINDER / SWAY	REF
29	7-358-09	CONTROL BLOCK	REF
30	6-7002-74	HOSE / 04 x 04 x 37 LG.	4
31	6-7003-40	HOSE / 06 x 06 x 20 LG.	1

ITEM	NUMBER	DESCRIPTION	REQD
1	6-6423-05	FITTING / 04 x 05 BRASS HOSE END	1
2	6-6423-08	FITTING / 04 x 06 BRASS HOSE END	2
3	6-6252-20	HOSE CLAMP / NO. 2	4
4	6-9621-680	HOSE-FUEL 5/16 x 85 LG.	1
5	6-9605-544	HOSE-FUEL 3/8 x 68 LG.	1
6	6-6408-03	FITTING / 04 NPT FLUSH PLUG	1
7	7-272-09	FILLER CAP / FUEL	REF
8	7-373-01	FUEL TANK	REF
9	6-6422-03	FITTING / 04 NPT 90 ST. ELB. BRASS	1
10	7-373-02	FITTING / 04 NPT FEMALE BULKHEAD	REF

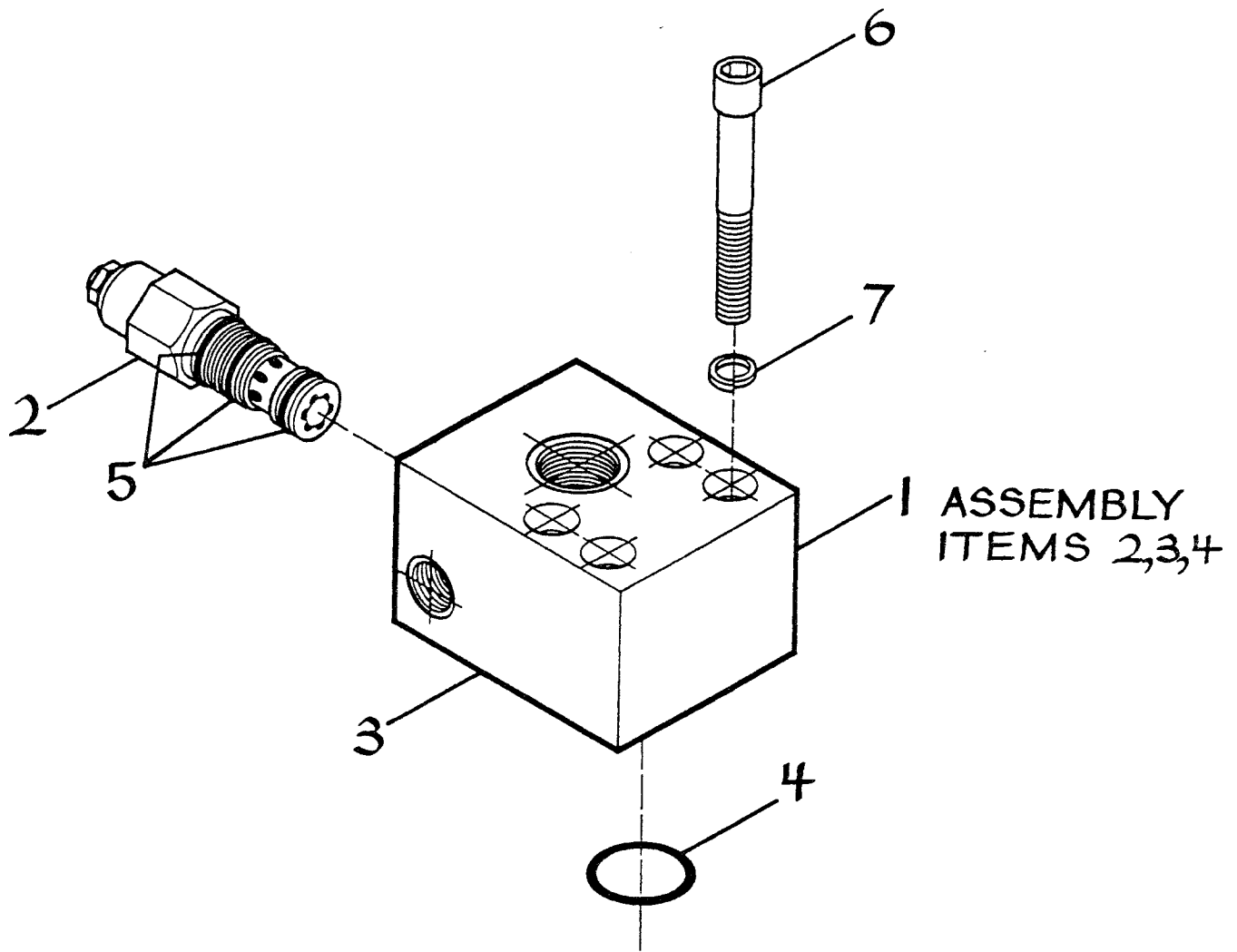
CLICK HERE TO **DOWNLOAD** THE COMPLETE MANUAL

- Thank you very much for reading the preview of the manual.
- You can download the complete manual from: [www.heydownloads.com](http://www.heydownloads.com) by clicking the link below



- Please note: If there is no response to CLICKING the link, please download this PDF first and then click on it.

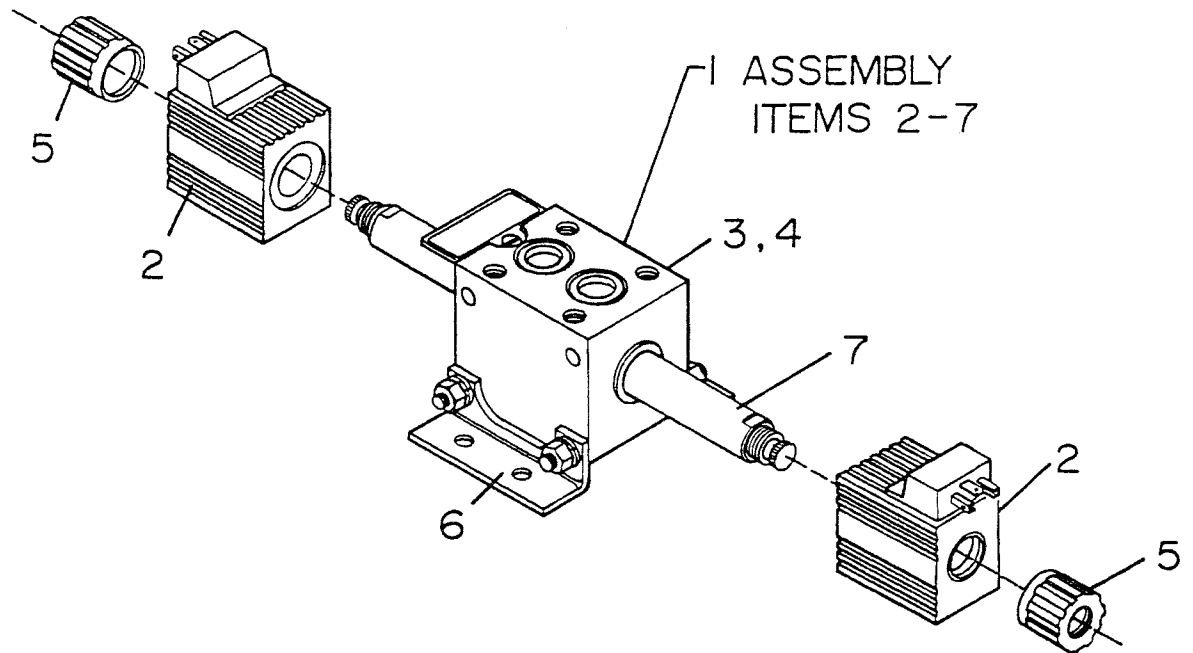
CLICK HERE TO **DOWNLOAD** THE COMPLETE MANUAL



ASSEMBLY  
ITEMS 2,3,4

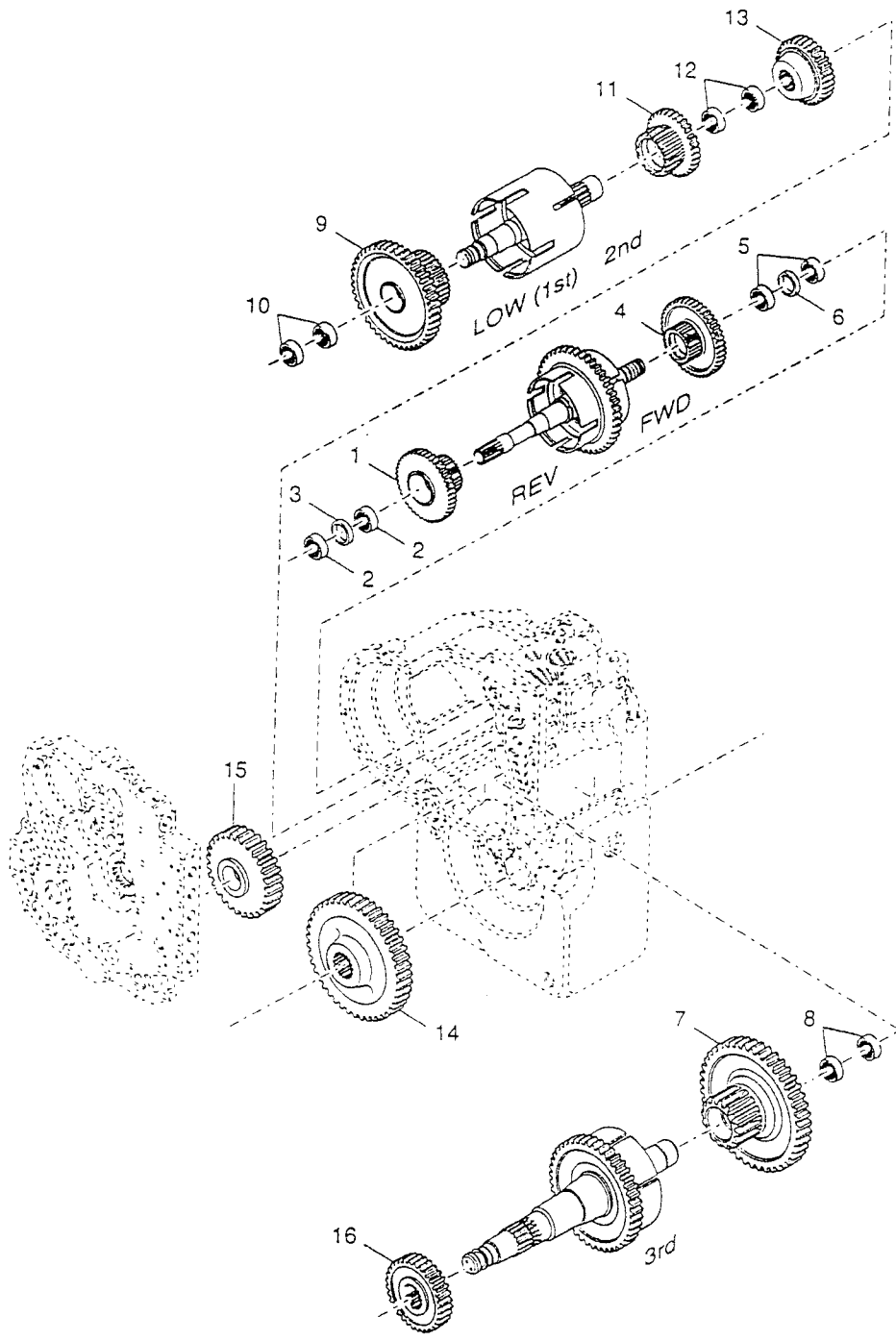
ITEM	NUMBER	DESCRIPTION	REQD
1	7-234-03	MOTION VALVE ASSEMBLY	1
2	7-234-22	CARTRIDGE / COUNTERBALANCE	1
3	7-234-23	BODY	1
4	7-234-32	O-RING	1
5	7-234-30	SEAL KIT	1
6	6-5606-22	CAPSCREW SH 3/8 NC x 2 3/4 LG.	4
7	6-6214-06	LOCKWASHER 3/8 HI-COLLAR	4

ITEM	NUMBER	DESCRIPTION	REQD
1	7-198-09	RING	1
2	7-198-20	BOOT	1
3		PISTON	1
4		SHIM / ITEMS 25-28	
5		SPRING	1
6		SPRING	
7	7-198-21	O-RING	1
8		RETAINER RING	1
9		WASHER	1
10		PISTON	1
11	7-198-13	CUP	1
12		SPRING	1
13		HOUSING	1
14	7-198-15	O-RING	1
15		VALVE & BALL ASSEMBLY	1
16		GUIDE	1
17		SPRING	1
18	7-198-16	SPACER SHEEVE	1
19		WASHER	1
20	7-198-18	CUP	1
21	7-198-29	BACK-UP RING	1
22	7-198-19	O-RING	1
23		PLUG	1
24			
25	7-198-05	SHIM / AS REQD	
26	7-198-06	SHIM / AS REQD	
27	7-198-07	SHIM / AS REQD	
28	7-198-08	SHIM / AS REQD	
29			
30	7-198-40	KIT-ITEMS 1, 2, 7, 11, 14, 18, 20, 21, & 22	

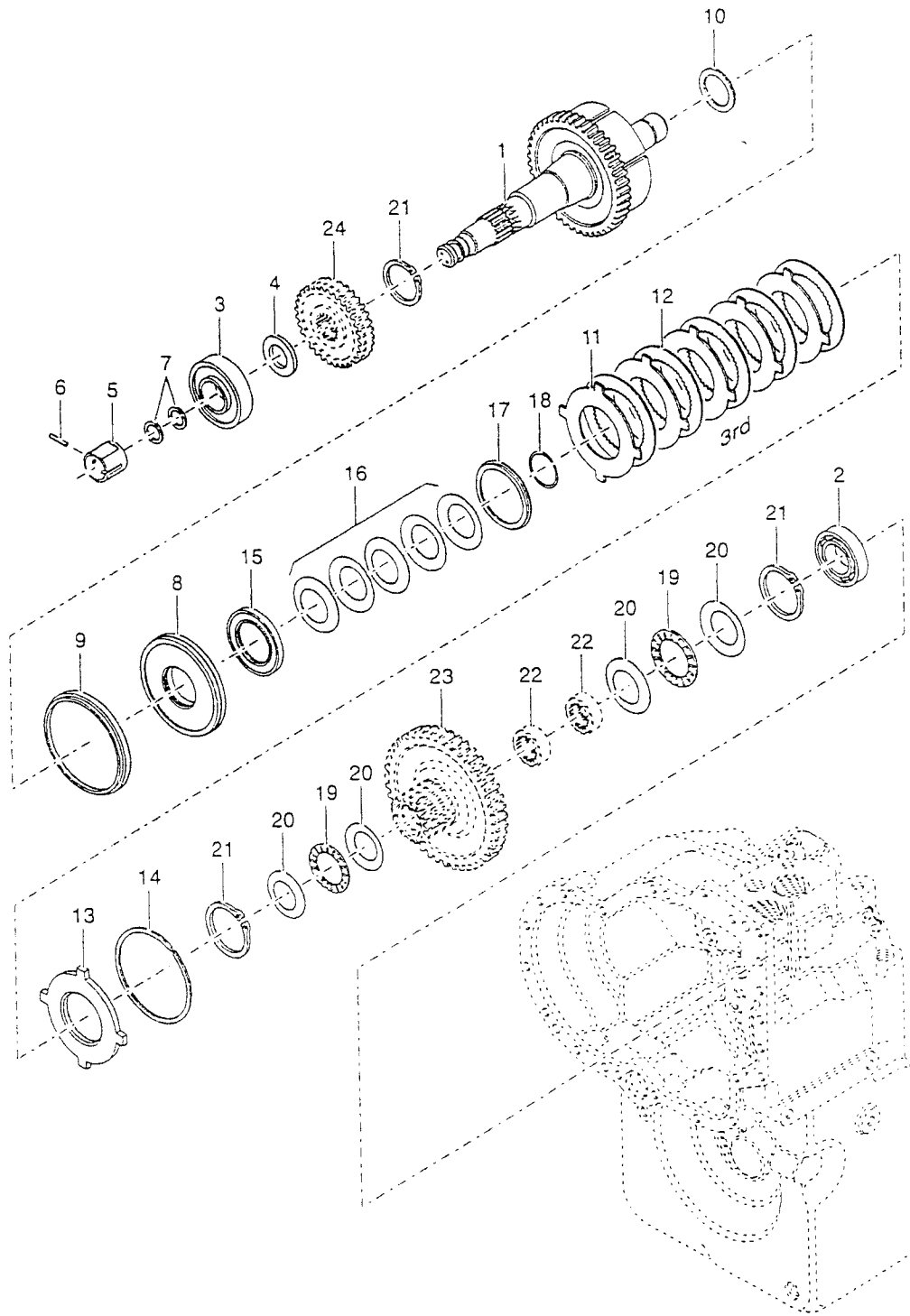


ITEM	NUMBER	DESCRIPTION	REQD
1	7-244-31	ELECTRIC VALVE ASSY / 4-WAY	1
2	7-244-40	COIL / DIN	2
3	7-244-17	SPOOL	1
4	7-244-18	VALVE BODY	1
5	7-244-19	END CAP	2
6	7-244-44	BRACKET ASSEMBLY	1
7	7-244-24	TUBES & PIN / SPOOL ACTUATING	1

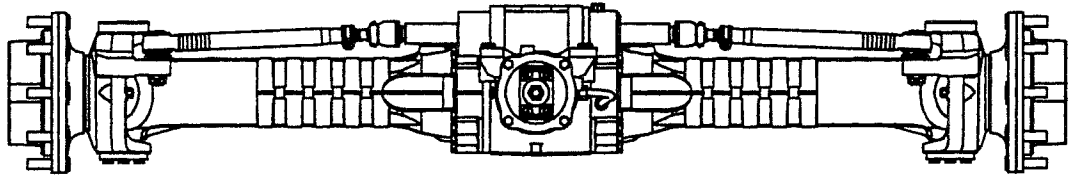
ITEM	NUMBER	DESCRIPTION	REQD
1	7-379-01	CYLINDER / ROTATE	REF
2	6-6493-02	FITTING / 06 OR x 06 TUBE 90	2
3	1-1065	TUBING 3/8 x 6 1/8 LG.	1
4	1-1219	RESTRICTOR FITTING	1
5	7-234-35	DUAL CHECK VALVE	1
6	6-5605-20	CAPSCREW / SH 5/16 NC x 2 1/2 LG.	2
7	6-6214-05	LOCKWASHER 5/16 HI-COLLAR	2
8	6-6450-08	FITTING / 06 OR x 06 JIC STR	1
9	6-6453-06	FITTING / 06 OR x 06 JIC 90	1
10	6-7023-128	HOSE / 06 x 06-90 x 64 LG.	1
11	6-7023-120	HOSE / 06 x 06-90 x 60 LG.	1
12	7-273-27	CLAMP HALF SET / 3/8 HOSE / TWIN	1
13	3-1222-1	BULKHEAD MOUNTING PLATE	1
14	6-6477-05	FITTING / 06 JIC BH-UNION 90	2
15	7-292-03	BONDED HOSE	1
16	7-292-01	HOSE REEL ASSEMBLY	1
17	1-2020	MOUNT / HOSE REEL	REF
18	1-2020	MOUNT / HOSE REEL	REF
19	6-6450-08	FITTING / 06 OR x 06 JIC STR	5
20	6-5208-36	CAPSCREW 1/2 NC x 4 1/2 LG.	2
21	6-6201-08	HEX NUT 1/2 NC	2
22	6-6211-08	LOCKWASHER 1/2	2
23	6-6450-08	FITTING / 06 OR x 06 JIC STR	2
24	6-7013-22	HOSE / 06 x 08 x 11 LG.	1
25	6-7013-22	HOSE / 06 x 08 x 11 LG.	1
26	6-6490-03	FITTING / 08 JIC x 08 TUBE STR	4
27	7-273-21	CLAMP HALF SET / 1/2 TUBE / TWIN	3
28	3-1064-2	FORMED TUBE 1/2 OD	1
29	3-1064-1	FORMED TUBE 1/2 OD	1
30	6-7043-184	HOSE / 08 x 06-90 x 92 LG.	1
31	6-7043-184	HOSE / 08 x 06-90 x 92 LG.	1
32	7-244-31	4-WAY ELECTRIC VALVE	1
33	6-6452-03	FITTING / 06 OR x 06 JIC 45	2
34	6-7023-62	HOSE / 06 x 06-90 x 31 LG.	2
35	1-1093-1	RESTRICTOR PLUG (.040)	1
36	7-273-23	TOP PLATE / 1/2 TUBE CLAMP	3
37	6-5205-10	CAPSCREW 5/16 NC x 1 1/4 LG.	3
38	7-244-27	DIN CONNECTOR	2
39	7-127-04	SWITCH / ROTATE	1
40	6-9615-192	HOSE ARMOR 1.00 ID x 24 LG.	1
41	6-5204-12	CAPSCREW 1/4 NC x 1 1/2 LG.	2
42	6-6211-04	LOCKWASHER 1/4	2
43	7-273-23	TOP PLATE / 3/8 HOSE CLAMP	1
44	6-5205-14	CAPSCREW 5/16 NC x 1 3/4 LG.	1
45	6-6201-04	HEX NUT 1/4 NC	2



<p>4 PAGE NUMBER</p>	<p>GEAR GROUP T12000 SERIES TRANSMISSION</p>	<p>DRAWING NUMBER P1-1247</p>
----------------------	--	-------------------------------

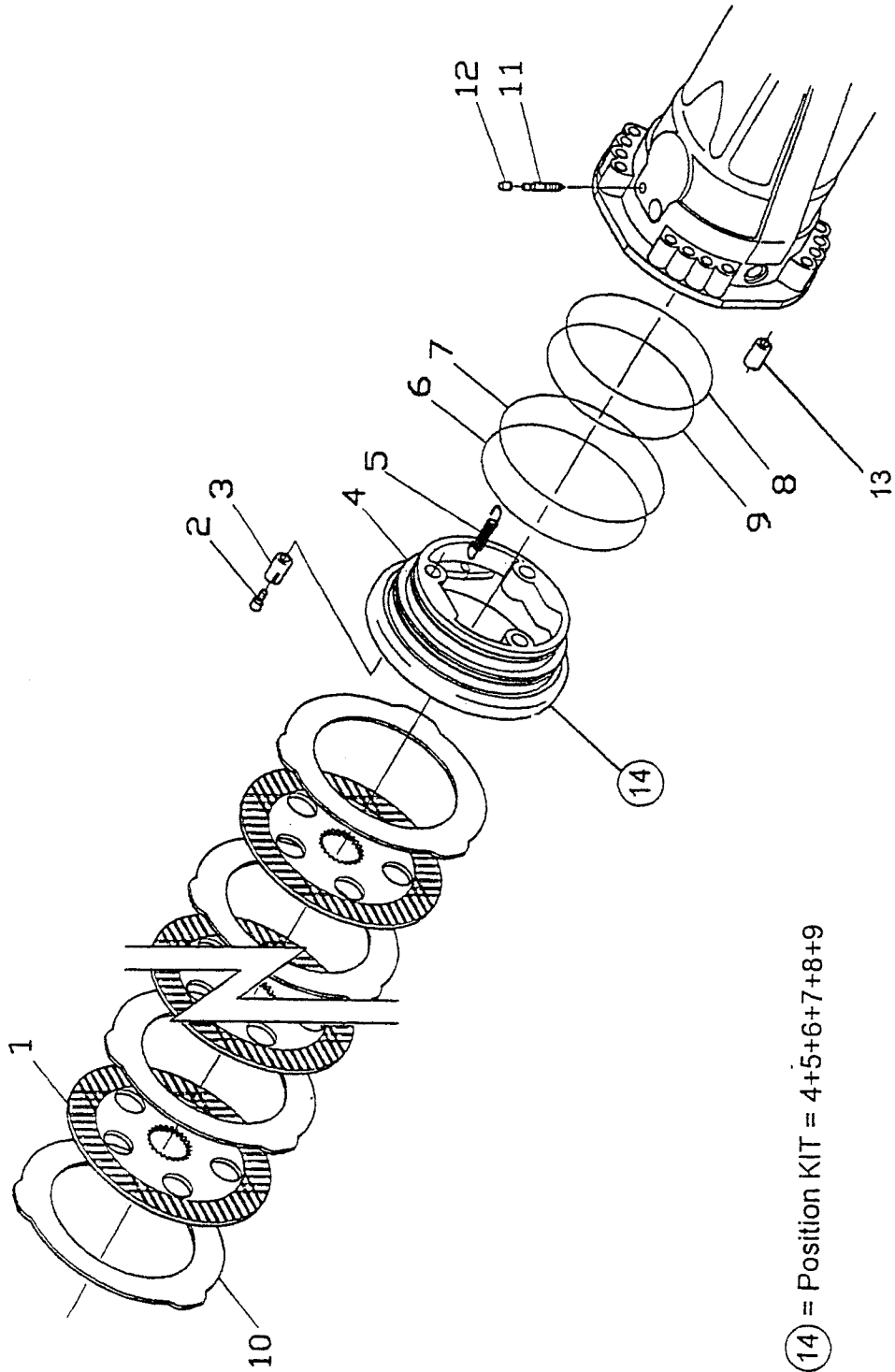


FRONT AXLE  
PARTS BOOK  
SS-636C SS-644C

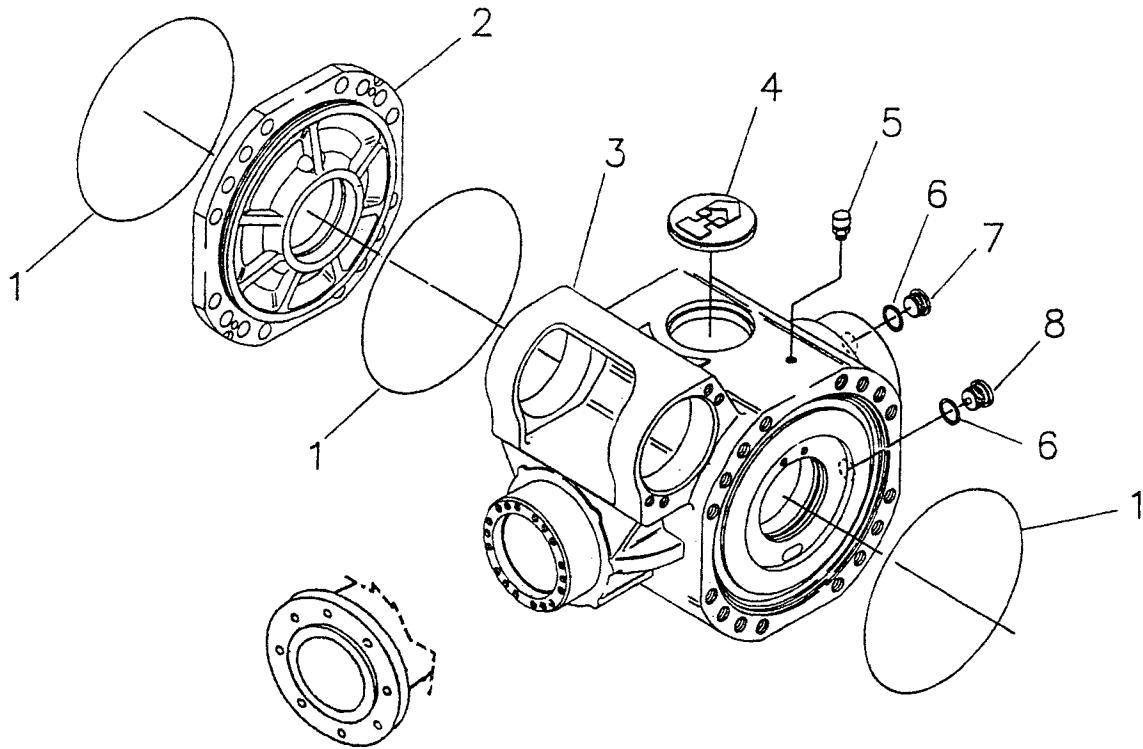


DATE: 9-7-99  
SPICER CLARK-HURTH 212/183 AXLE  
7-229-619 STEERING CYLINDER

TEREX HANDLERS  
455 N. Superior Ave., Baraga, MI 49908-0248  
PH: (906) 353-6675; FAX: (906) 353-7543  
INTERNET: <http://www.sqshooter.com>



14 = Position KIT = 4+5+6+7+8+9



ITEM	NUMBER	DESCRIPTION	REQD
1	7-229-520	O-RING	3
2	7-229-521	INTERMEDIATE COVER	1
3	7-229-522	HOUSING	1
4	7-229-670	PLUG	1
5	7-229-524	VENT	1
6	7-229-525	SEAL WASHER	2
7	7-229-526	PLUG	1
8	7-229-527	MAGNETIC PLUG	1

CLICK HERE TO **DOWNLOAD** THE COMPLETE MANUAL

- Thank you very much for reading the preview of the manual.
- You can download the complete manual from: [www.heydownloads.com](http://www.heydownloads.com) by clicking the link below



- Please note: If there is no response to CLICKING the link, please download this PDF first and then click on it.

CLICK HERE TO **DOWNLOAD** THE COMPLETE MANUAL