



CATALOGO PARTI DI RICAMBIO
SPARE PARTS CATALOGUE
CATALOGUE PIECES DETACHEES
ERSATZEIL KATALOG

CLICK HERE TO **DOWNLOAD** THE COMPLETE MANUAL

- Thank you very much for reading the preview of the manual.
- You can download the complete manual from: www.heydownloads.com by clicking the link below



- Please note: If there is no response to CLICKING the link, please download this PDF first and then click on it.

CLICK HERE TO **DOWNLOAD** THE COMPLETE MANUAL



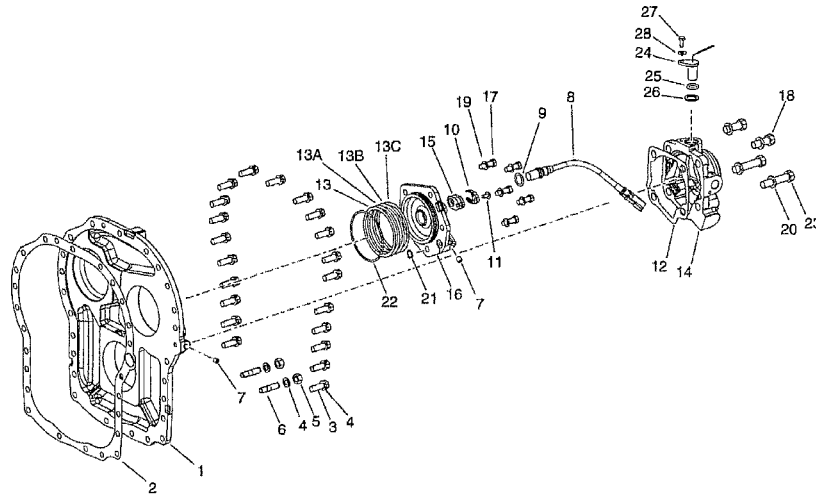
6. Turret

Tav. Drg.	rev.	Validità da Validity from	Validità a Validity to	Descrizione Description
R1701	0	704.001		Parking brake
R1234	0	704.001		Winch TW6 Lebus
R1235	0	704.001		Winch TW6 Lebus - Brake group
R1236	1	704.001		Winch TW6 Lebus - Press-cable kit and limit switch
R1448	0	704.001		Hydraulic swivel joint
R323	0	704.001		Output version 307 HC - HZ
R324	0	704.001		Output accessories 307
R325	0	704.001		Reduction stage 307
R326	0	704.001		Reduction stage 305
R1932	0	704.001		Brake 4"
R328	0	704.001		Danfoss engine OMSU 100
R1938	0	704.001		Brake pedal connection
R1940	0	704.001		Hose reel
R1948	0	704.005		Distributor assembly
R1949	0	704.005		Distributor hydraulic system
R1950	0	704.005		Boom extending cylinder hydraulic system
R1939	0	704.001		Lifting cylinder

**TEREX®****RT75**

Tavola/Drawing R1734 - Rev. 0

TEREX®	PARTI DI RICAMBIO	SPARE PARTS	R1734 Rev.0
---------------	--------------------------	--------------------	--------------------

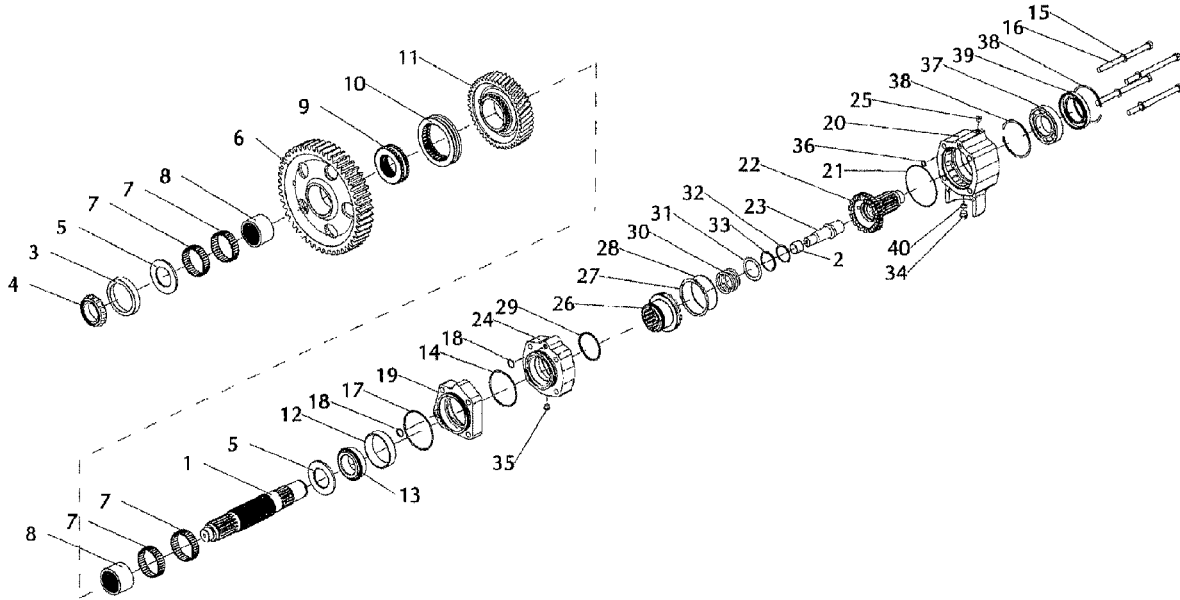


<i>Descrizione:</i> TE15 gruppo coperchio posteriore	<i>Description:</i> TE15 group rear cover
---	--

Rif. Ref.	Cod. P/N	Q.tà Q.ty	Descrizione	Description	Beschreibung	Description	Descrpcion
2	06.0425.0097	1	GUARNIZIONE	GASKET	DICHTUNG	JOINT	
3	01.0010.0094	21	VITE	SCREW	SCHRAUBE	VIS	
4	07.0504.0670	23					
7	07.0504.0487	1	TAPPO	PLUG	DECKEL	BOUCHON	
19	07.0504.0672	5	DADO	NUT		ECROU	
22	07.0504.1745	1	OR	OR		OR	
24	07.0504.1694	1	TAPPO	PLUG		BOUCHON	

**TEREX®****RT75****Tavola/Drawing R1744 - Rev. 0**

TEREX®	PARTI DI RICAMBIO	SPARE PARTS	R1744 Rev.0
---------------	--------------------------	--------------------	--------------------

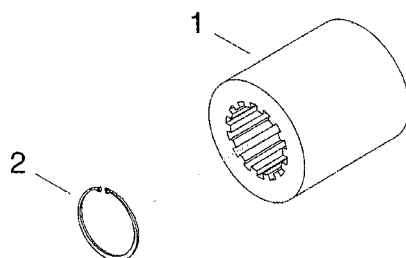


<i>Descrizione:</i>	TE15 albero uscita	<i>Description:</i>	TE15 output shaft
---------------------	---------------------------	---------------------	--------------------------

Rif. Ref.	Cod. P/N	Q.tà Q.ty	Descrizione	Description	Beschreibung	Description	Descricion
4	03.0157.0302	1	CUSCINETTO	BEARING	LAGER	ROULEMENT	
5	01.0036.0071	2	RONDELLA	WASHER	SCHREIBE	RONDELLE	
7	03.0162.0060	4	CUSCINETTO	BEARING	LAGER	ROULEMENT	
8	07.0504.0206	2	ANELLO	RING	RING	ANNEAU	
9	07.0504.0208	1	MANICOTTO	PLATE	PLATTE	PLAQUE	
12	03.0162.0099	1	COPPA CUSCINETTO	BEARING CUP	LAGERAUSSENRING	CUVETTE DE ROULEMENT	
13	03.0162.0098	1	CONO CUSCINETTO	BEARING CONE	LAGERINNENRING	CONE DE ROULEMENT	
30	07.0504.1718	1	MOLLA	SPRING	FEDER	RESSORT	
32	02.0129.0053	1	ANELLO DI BLOCCO	CIRCLIP	SICHERUNGSRING	BAGUE D'ARRET	
33	07.0504.0583	1	SCODELLINO	SNAP RING RETAINER	SICHERUNGSRING-HUL	BAGUE DE RETENUE	
37	03.0151.0141	1	CUSCINETTO	BEARING	LAGER	ROULEMENT	
38	02.0122.0052	2	ANELLO DI BLOCCO	RING	RING	ANNEAU	
39	06.0425.0071	1	PARAOLIO	GASKET	DICHTUNG	JOINT	

**TEREX®****RT75****Tavola/Drawing R1754 - Rev. 0**

TEREX®	PARTI DI RICAMBIO	SPARE PARTS	R1754 Rev.0
---------------	--------------------------	--------------------	--------------------



<i>Descrizione:</i>	TE15 adattatore pompa	<i>Description:</i>	TE15 pump drive adaptor sleeve
---------------------	------------------------------	---------------------	---------------------------------------

Rif. Ref.	Cod. P/N	Q.tà Q.ty	Descrizione	Description	Beschreibung	Description	Descricion
2	07.0504.0077	1	ANELLO	RING	RING	ANNEAU	

**TEREX®**

RT75

Ref.	P/N	Q.ty					
94	07.0521.0466	2	KIT GUARNIZIONI	GASKET KIT	DICHTUNGSATZ	KIT JOINTS D'ETANCHEITE	KIT JUNTAS
5	07.0499.0028	1	TAPPO	PLUG	VERSCHLUSS	BOUCHON	TAPÓN
6	07.0499.0029	1	GUARNIZIONE	GASKET	DICHTUNG	JOINT D'ETANCHEITE	JUNTA
16	07.0499.0030	2	PERNO	PIN	BOLZEN	AXE	
17	07.0499.0031	2	PERNO	PIN	BOLZEN	AXE	
19	07.0499.0032	2	BOCCOLA	BUSH	BUCHSE	BAGUE	
23	07.0499.0033	2	RONDELLA	WASHER	UNTERLEGSSCHEIBE	RONDELLE	
24	07.0499.0034	2	DISCO	DISC	SCHEIBE	DISQUE	
32	07.0499.0035	2	ANELLO	RING	RING	BAGUE	ANILLO
35	07.0499.0036	2	ANELLO	RING	RING	BAGUE	ANILLO
38	07.0499.0055	2	GIUNTO	JOINT	KUPPLUNG	JOINT	
43	07.0499.0037	24	PERNO	PIN	BOLZEN	AXE	PERNO
50	07.0499.0038	4	ANELLO	RING	RING	BAGUE	
53	07.0499.0039	2	CUSCINETTO	BEARING	LAGER	ROULEMENT	
54	07.0499.0040	2	CUSCINETTO	BEARING	LAGER	ROULEMENT	COJINETE
59	07.0499.0041	2	DADO	NUT	MUTTER	ECROU	
60	07.0499.0042	2	VITE	SCREW	SCHRAUBE	VIS	
64	07.0499.0044	4	VITE	SCREW	SCHRAUBE	VIS	
184	07.0499.0056	4	GANASCIA	BRAKE SHOE	SPANNBACKEN	SABOT	
190	07.0499.0047	2	CILINDRO	CYLINDER	ZYLINDER	VERIN	
305	07.0499.0048	2	VITE	SCREW	SCHRAUBE	VIS	
306	07.0499.0049	2	GUARNIZIONE	GASKET	DICHTUNG	JOINT D'ETANCHEITE	TORNILLO
324	07.0499.0050	16	RONDELLA	WASHER	UNTERLEGSSCHEIBE	RONDELLE	JUNTA
329	07.0499.0051	24	CUSCINETTO	BEARING	LAGER	ROULEMENT	ARANDELA
331	07.0499.0052	8	PERNO	PIN	BOLZEN	AXE	COJINETE
333	07.0499.0053	8	PERNO	PIN	BOLZEN	AXE	
340	07.0499.0054	8	O-RING	O-RING	O-RING	JOINT TORIQUE	PERNO
533	07.0499.0057	1	BOCCOLA	BUSH	BUCHSE	BAGUE	
534	07.0499.0058	1	O-RING	O-RING	O-RING	JOINT TORIQUE	
33	07.0499.0035	4	ANELLO	RING	RING	BAGUE	ANILLO
93	07.0499.0061	2	CILINDRO STERZO	STEERING CYLINDER	ZYLINDER	VERIN	CILINDRO



TEREX®

RT75

25

02.0113.0051

2

COPIGLIA

SPLIT PIN

SPLINT

GOUPILLE

CLAVIJA

**TEREX®**

RT75

27	RE 04.0218.0102.C	1	CURVA	ELBOW	ANSCHLUSS	RACCORD	
29	RE 48957.CRE	1	TUBO SUPERIORE POMPA	PIPE	ROHR	TUYAU	TUBO
30	48958.CRE	1	TUBO INFERIORE POMPA	HOSE	ROHR	TUYAU	TUBO
31	06.0422.0014.C	2	RONDELLA DOWTY	WASHER	UNTERLEGSCHIEBE	RONDELLE	ARANDELA
32	RE 04.0216.0071.C	2	RACCORDO	FITTING	ANSCHLUSS	RACCORD	CONEXIÓN
33	RE 04.0216.0618.C	2	RACCORDO	FITTING	ANSCHLUSS	RACCORD	CONEXIÓN
34	RE 04.0216.0570.C	2	RACCORDO	FITTING	ANSCHLUSS	RACCORD	CONEXIÓN
35	RE 07.0504.1772.C	1	GUARNIZIONE	GASKET	DICHTUNG	JOINT D'ETANCHEITE	JUNTA
36	RE 04.0223.0819.C	1	FLANGIA	FLANGE	FLANSCH	FLASQUE	BRIDA
37	RE 06.0422.0027.C	1	RONDELLA	WASHER	DICHTUNG	JOINT	ARANDELA
38	RE 04.0216.0131.C	1	NIPLES	FITTING	ANSCHLUSS	JONCTION	NIPLES
39	RE 06.0422.0023.C	1	RONDELLA DOWTY	WASHER	SCHEIBE	RONDELLE	
40	RE 04.0215.0121.C	1	RIDUZIONE	FITTING	ANSCHLUSS	RACCORD	CONEXIÓN
43	RE 04.0238.0423.C	1	POMPA AD INGRANAGGI	PUMP	PUMPE	POMPE	BOMBA
44	RE 04.0240.0169.C	1	ELETTROVALVOLA	SOLENOID VALVE	ELEKTROVENTIL	ELECTROVALVE	ELECTROVÁLVULA
45	RE 04.0239.0496.C	1	SOLENOIDE	COIL	MAGNETSPULE	SOLENOID	
46	RE 05.0301.2864.C	2	RACCORDO	FITTING	ANSCHLUSS	RACCORD	CONEXIÓN
47	RE 05.0311.0453.C	1	CILINDRO PNEUMATICO	CYLINDER	ZYLINDER	VERIN	CILINDRO
48	RE 43635.CRE	1	SUPPORTO POMPA	SUPPORT PUMP	HALTER PUMPE	SUPPORT POMPE	SOPORTE BOMBA
28	RE 04.0238.0426.C	1					



TEREX®

RT75

26	RE 04.0229.6114.C	1	TUBO	HOSE	ROHR	TUYAU
27	RE 04.0229.3881.C	2	TUBO	HOSE	ROHR	TUYAU
28	RE 04.0220.0053.C	2	TAPPO	PLUG	STOPFEN	BOUCHON
	RE					

CLICK HERE TO **DOWNLOAD** THE COMPLETE MANUAL

- Thank you very much for reading the preview of the manual.
- You can download the complete manual from: www.heydownloads.com by clicking the link below



- Please note: If there is no response to CLICKING the link, please download this PDF first and then click on it.

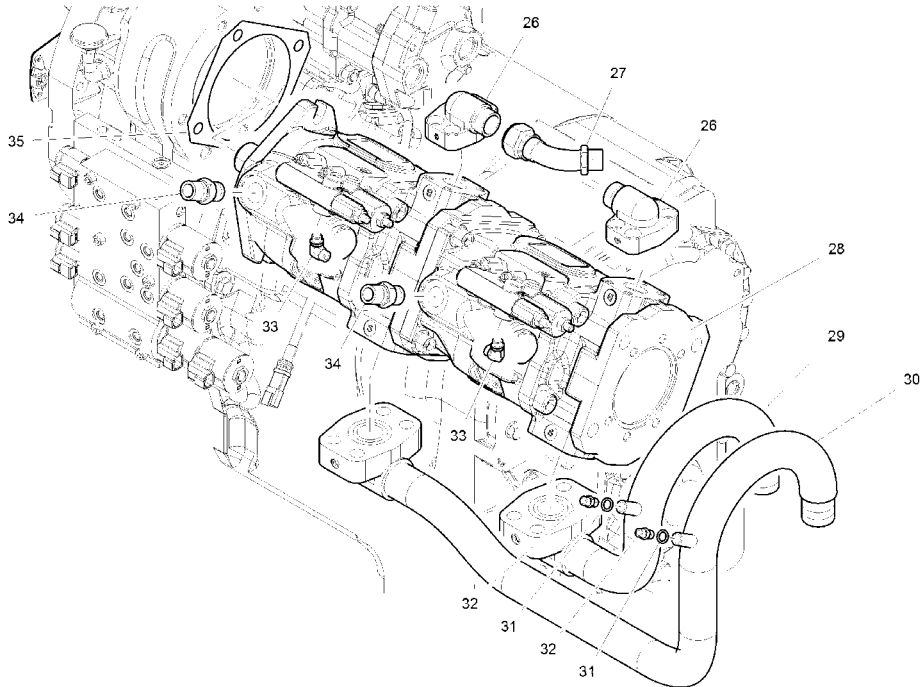
CLICK HERE TO **DOWNLOAD** THE COMPLETE MANUAL



TEREX®

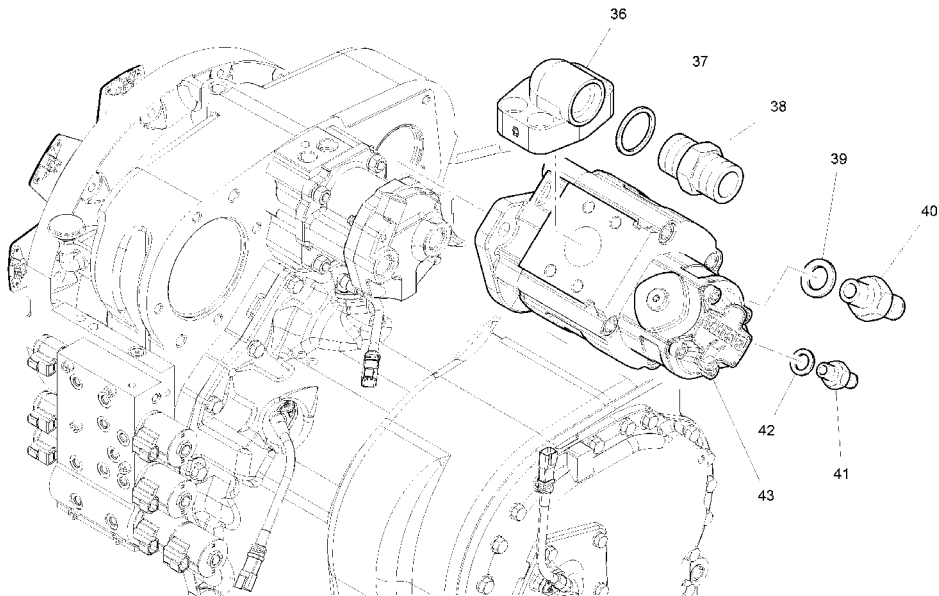
RT75

TEREX®	PARTI DI RICAMBIO	SPARE PARTS	R1856 Rev.0
---------------	--------------------------	--------------------	--------------------



<i>Descrizione:</i> Gruppo motore-trasmissione-pompe fase IIIA - Tier 3	<i>Description:</i> Engine-gearbox-pumps assembly phase IIIA - Tier 3
---	---

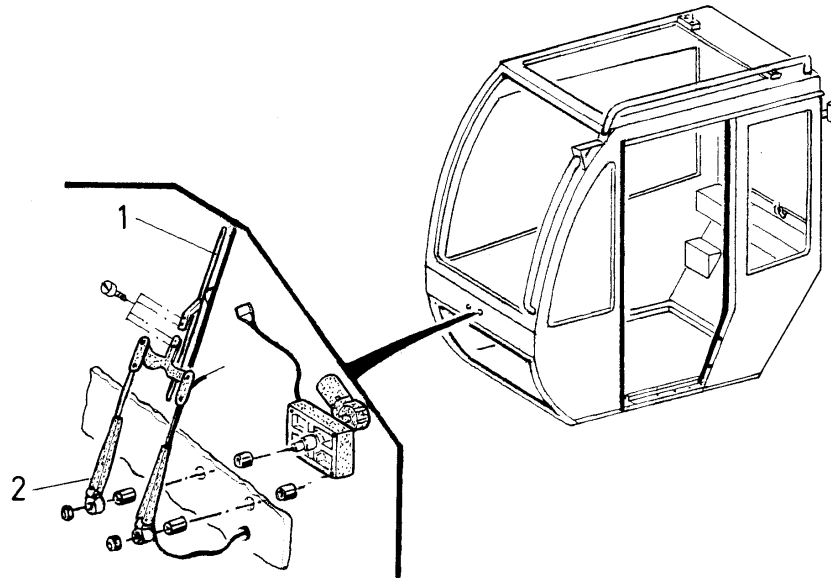
TEREX®	PARTI DI RICAMBIO	SPARE PARTS	R1856 Rev.0
---------------	--------------------------	--------------------	--------------------



<i>Descrizione:</i> Gruppo motore-trasmissione-pompe fase IIIA - Tier 3	<i>Description:</i> Engine-gearbox-pumps assembly phase IIIA - Tier 3
---	---

**TEREX®****RT75**

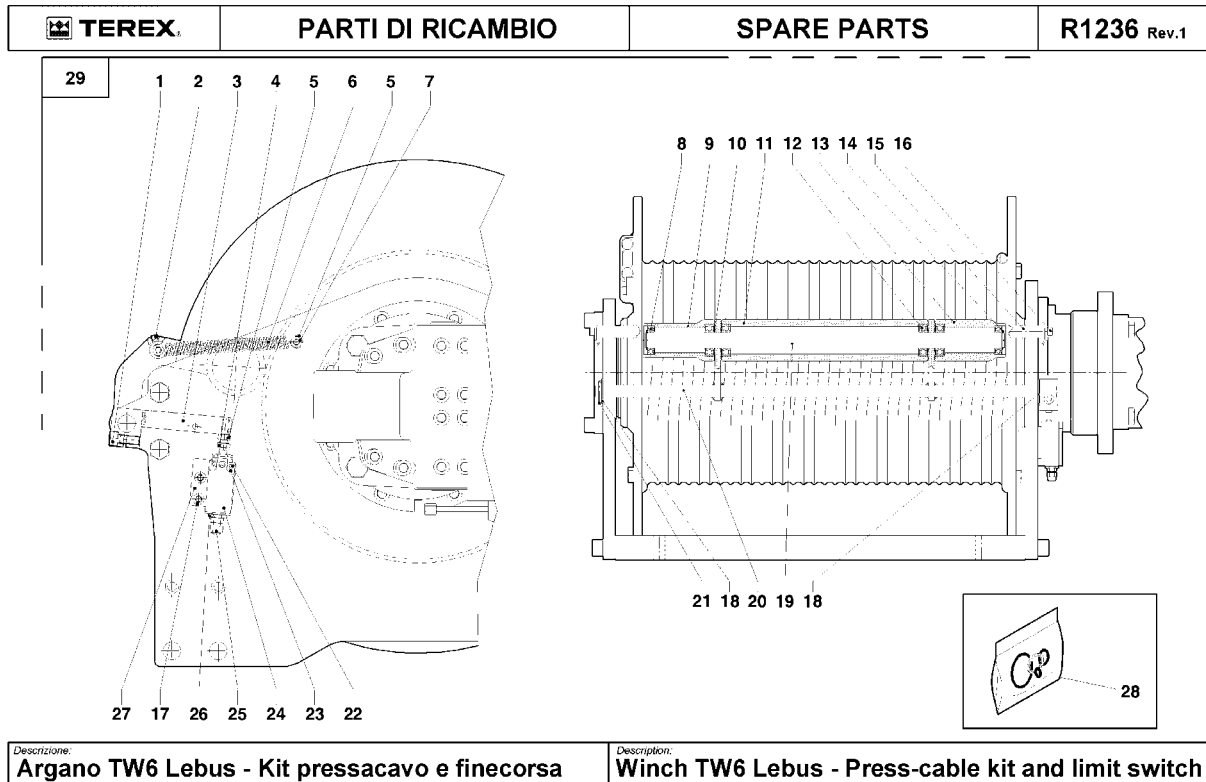
Tavola/Drawing R145 - Rev. 0

TEREX
ITALIA**PARTI DI RICAMBIO**Codice: 36371
Rev. 00 del 01.03.02Modello
A360 A400 A450 A600Descrizione:
MONTAGGIO TERGI VETRO ANTERIORE CABINA DI GUIDA**R145** Rev.0

Rif. Ref.	Cod. P/N	Q.tà Q.ty	Descrizione	Description	Beschreibung	Description	Descrpcion
1	09.0610.1070	1	SPAZZOLA	BRUSH	BÜRSTE	BALAI	ESCOBILLA
2	09.0610.1069	1	BRACCIO	BOOM	ARM	FLECHE	PLUMA

**TEREX®****RT75**

Tavola/Drawing R1236 - Rev. 1

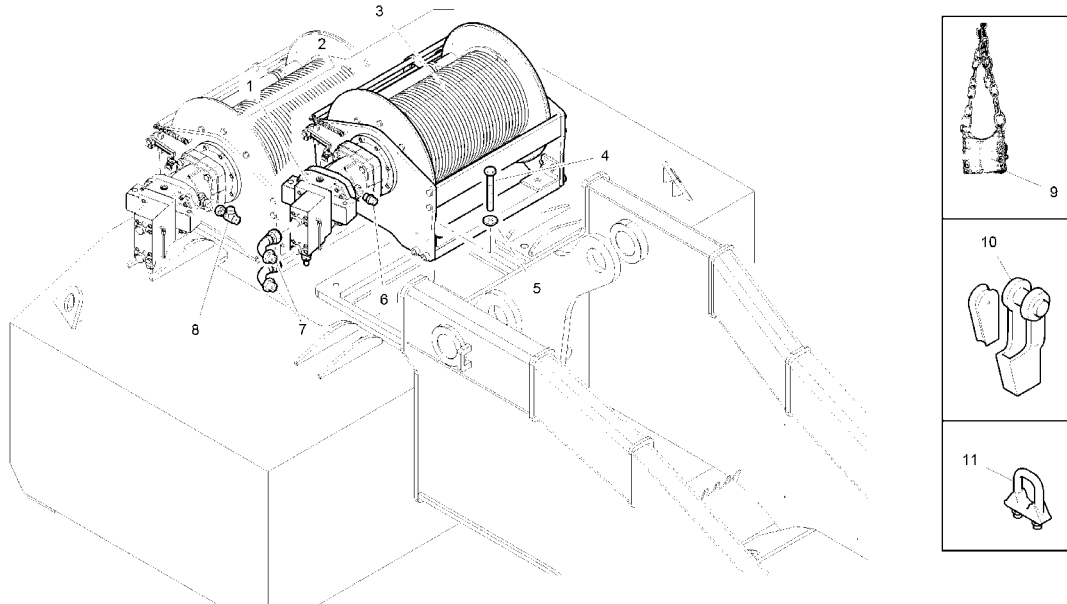


Rif. Ref.	Cod. P/N	Q.tà Q.ty	Descrizione	Description	Beschreibung	Description	Descripcion
1	07.0492.0173	1	LEVA	LEVER	HEBEL	LEVIER	PALANCA
4	07.0492.0176	1	VITE	SCREW	SCHRAUBE	VIS	TORNILLO
8	07.0492.0165	2	CUSCINETTO	BEARING	LAGER	ROULEMENT	COJINETE
10	07.0492.0167	4	SPESSORE	SHIM	PASSSCHEIBE	CALE D'EPASSEUR	ARANDELA
12	07.0492.0168	4	CUSCINETTO	BEARING	LAGER	ROULEMENT	COJINETE
14	07.0492.0164	2	SEEGER	CIRCLIP	SEEGER	CIRCLIP	SEEGER
21	07.0492.0163	1	COPIGLIA	SPLIT PIN	SPLINT	GOUPILLE	CLAVIJA
27	07.0492.0175	1	SUPPORTO	SUPPORT	HALTER	SUPPORT	SOPORTE
24	07.0492.0009	1	MICROINTERRUTTORE	MICROSWITCH	MIKROSCHALTER	MICRORUPTEUR	MICROINTERRUPTOR
28	07.0492.0228	1	KIT GUARNIZIONI	GASKET KIT	DICHTUNGSATZ	KIT JOINTS	KIT JUNTAS
29	07.0492.0232	1	KIT PRESSACAVO + FINECORSO	PRESS-CABLE KIT + LIMIT SWITCH	SET KABELDURCHLASS + ENDSCHALTER KODE	KIT PRESS-CABLE + FIN DE COURSE	KIT SUJETA-CABLE + FIN DE CARRERA
6	07.0492.0231	2	MOLLA	SPRING	FEDER	RESSORT	MUELLE

**TEREX®****RT75**

Tavola/Drawing R1705 - Rev. 0

TEREX®	PARTI DI RICAMBIO	SPARE PARTS	R1705 Rev.0
---------------	--------------------------	--------------------	--------------------

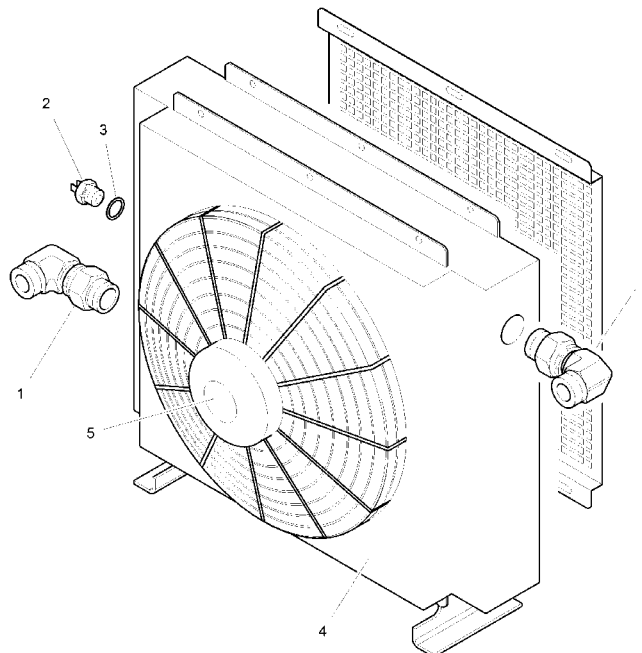


<small>Descrizione:</small> Montaggio argano ausiliario	<small>Description:</small> Auxiliary winch assembly
---	--

Rif. Ref.	Cod. P/N	Q.tà Q.ty	Descrizione	Description	Beschreibung	Description	Descricion
1	04.0235.0061	1	MOTORE	MOTOR	MOTOR	MOTEUR	MOTOR
2	48456	1					
3	09.0679.0527	1	FUNE D.18X220 MT.	ROPE D.18X220 MT.		CABLE D.18X220 MT	
4	01.0001.1255	4					
5	01.0031.0102	4	RONDELLA	WASHER	UNTERLEGSCHIEBE	RONDELLE	ARANDELA
8	04.0219.0057	1	RACCORDO	FITTING	ANSCHLUSS	RACCORD	CONEXIÓN
9	08.0564.0115	1	PESO FINE CORSA	LIMIT STOP WEIGHT	ANSCHLAGGEWICHT	POIDS FIN DE COURSE	PESO FIN DE CARRERA
10	09.0682.0051	1	CAPOCORDA	CABLE TERMINAL	KABELSCHUH	TETE DE CABLE	TERMINAL
11	24367	1	MORSETTO	TERMINAL	KLEMME	BORNE	SUJETADOR

Tavola/Drawing R1828 - Rev. 0

 TEREX®	PARTI DI RICAMBIO	SPARE PARTS	R1828 Rev.0
---	--------------------------	--------------------	--------------------

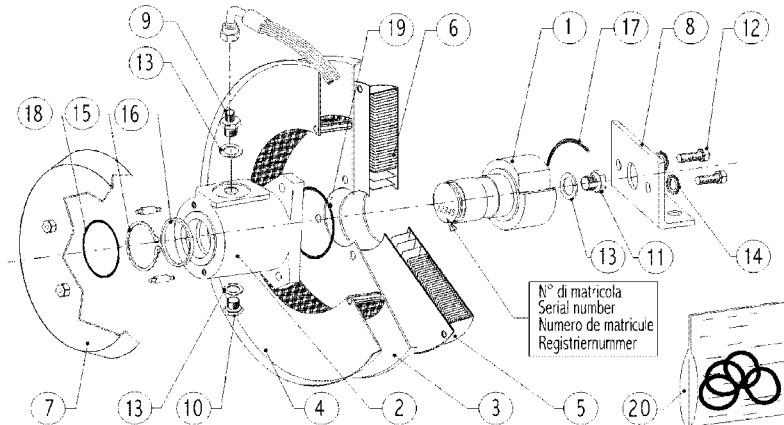


<small>Descrizione:</small> Scambiatore olio idraulico	<small>Description:</small> Hydraulic oil exchanger
--	---

Rif. Ref.	Cod. P/N	Q.tà Q.ty	Descrizione	Description	Beschreibung	Description	Descricion
1	04.0216.0620	2	TERMOSTATO	THERMOSTAT	THERMOSTAT	THERMOSTAT	TERMOSTATO
2	09.0602.0072	1	RONDELLA	WASHER	UNTERLEGSCHIEBE	THERMOSTAT	ARANDELA
3	06.0442.0059	1	SCAMBIATORE	OIL COOLER	OLKUEHLER	RONDELLE	RADIADOR ACEITE
4	45094	1	MOTORE	MOTOR	MOTOR	ECHANGEUR	MOTOR
5	09.0602.0184	1				MOTEUR	

Tavola/Drawing R1940 - Rev. 0

 TEREX®	PARTI DI RICAMBIO	SPARE PARTS	R1940 Rev.0
---	--------------------------	--------------------	--------------------



<i>Descrizione:</i>			<i>Description:</i>				
Avvolgitubo			Hose reel				

Rif. Ref.	Cod. P/N	Q.tà Q.ty	Descrizione	Description	Beschreibung	Description	Descripcion
20	09.0624.0106	1	KIT GUARNIZIONI	GASKET KIT	DICHTUNGSATZ	KIT JOINTS D'ETANCHEITE	KIT JUNTAS
16	09.0624.0111	1	ANELLO	RING	RING	BAGUE	ANILLO

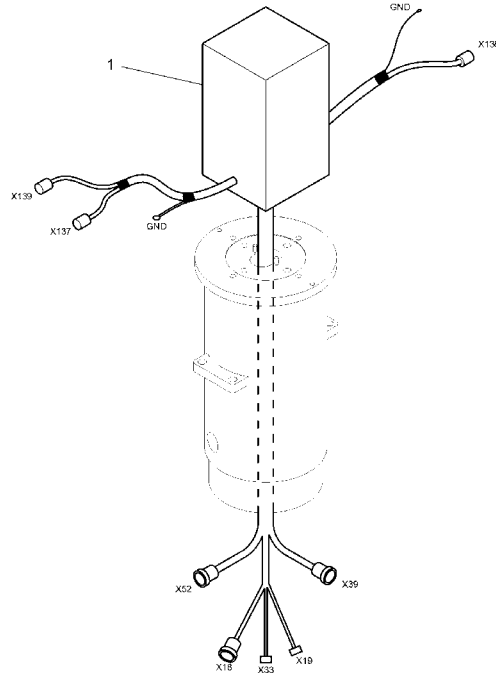
**TEREX®**

RT75

24	25226.CRE	1	PERNO CARRUCOLA CAT. RIEN. 2°BRACCIO	PIN	BOLZEN	AXE	
25	02.0121.0085.C RE	2	ANELLO DI SICUREZZA	CIRCLIP	SICHERUNGSRING	BAGUE D'ARRET	
26	13067.CRE	1	PERNO RULLO GUIDA	PIN	BOLZEN	AXE	
28	12851.CRE	1	PISTONE 1°SFILO PULEGGIA CATENA	PULLEY	RIEMEN	POULIE	
29	03.0158.0152.C RE	2	SFILO BRACCIO CUSCINETTO	BEARING	LAGER	COUSSINET	
30	02.0120.0080.C RE	1	ANELLO DI SICUREZZA	CIRCLIP	SICHERUNGSRING	BAGUE D'ARRET	
31	02.0121.0100.C RE	2	ANEL.DI SICUREZZA	CIRCLIP	SICHERUNGSRING	BAGUE D'ARRET	
32	06.0403.0181.C RE	2	PARAPOLVERE	OIL SEAL	SCHUTZHAUBE	PARE-POUDRE	
33	02.0120.0060.C RE	1	ANELLO SICUREZZA	CIRCLIP	SICHERUNGSRING	ANNEAU DE SECURITE	
34	12843.CRE	1	RULLO SUPPORTO CILINDRO SFILO	PLASTIC ROLLER	PLASTIKWALZE	ROULLEAU DE PLAST	
27	20082.CRE	1	PERNO CARRUCOLA SFILO BRACCIO	PIN	BOLZEN	AXE	
35	06.0401.0613	1	OR	O-RING	O-RING	JOINT TORIQUE	ANILLO OR
36	06.0401.0618	2	OR	O-RING	O-RING	JOINT TORIQUE	ANILLO OR

**TEREX®****RT75****Tavola/Drawing R1827 - Rev. 0**

TEREX®	PARTI DI RICAMBIO	SPARE PARTS	R1827 Rev.0
---------------	--------------------------	--------------------	--------------------

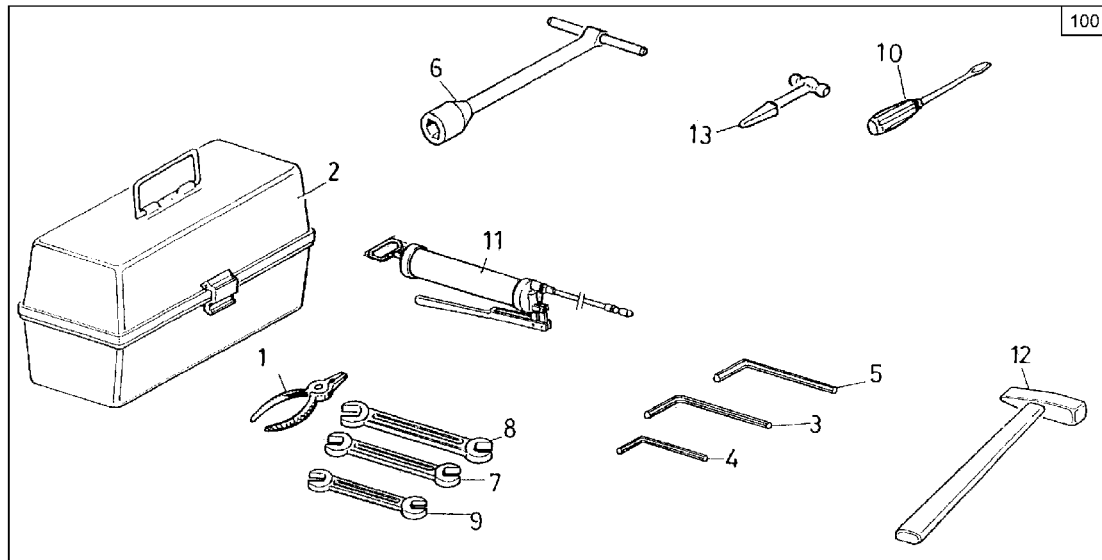


<i>Descrizione:</i>		Collettore elettrico	<i>Description:</i>		Electric manifold
---------------------	--	-----------------------------	---------------------	--	--------------------------

Rif. Ref.	Cod. P/N	Q.tà Q.ty	Descrizione	Description	Beschreibung	Description	Descricion
1	48876.CRE	1	COLLETORE RAVIOLI RT75	ELECTRIC COLLECTOR	CABLE W PLUG	ELECTRIC COLLECTOR	

Tavola/Drawing 303 - Rev. 0

TEREX.	PARTI DI RICAMBIO	SPARE PARTS	303 Rev.0
--------	--------------------------	--------------------	------------------



<i>Descrizione:</i>	Cassetta porta attrezzi	<i>Description:</i>	Toolbox
---------------------	--------------------------------	---------------------	----------------

Rif. Ref.	Cod. P/N	Q.tà Q.ty	Descrizione	Description	Beschreibung	Description	Descrpcion
1	09.0675.0551	1	PINZA	CALLIPER	ZANGE	PINCE	PINZA
2	09.0675.0051	1	CASSETTA ATTREZZI	TOOL CASE	WERKZEUGKASTEN	BOITE A OUTILS	CAJA DE HERRAMIENTAS
3	09.0675.0151	1	CHIAVE	KEY	SCHLÜSSEL	CLE	LLAVE
4	09.0675.0152	1	CHIAVE	KEY	SCHLÜSSEL	CLE	LLAVE
5	09.0675.0153	1	CHIAVE	KEY	SCHLÜSSEL	CLE	LLAVE
6	09.0675.0201	1	CHIAVE	KEY	SCHLÜSSEL	CLE	LLAVE
7	09.0675.0251	1	CHIAVE	KEY	SCHLÜSSEL	CLE	LLAVE
8	09.0675.0252	1	CHIAVE	KEY	SCHLÜSSEL	CLE	LLAVE
9	09.0675.0256	1	CHIAVE	KEY	SCHLÜSSEL	CLE	LLAVE
10	09.0675.0301	1	CACCIAVITE	SCREWDRIVER	SCHRAUBENDREHER	TOURNEVIS	DESTORNILLADOR
11	09.0675.0351	1	INGRASSATORE	GREASE NIPPLE	SCHMIERNIPPEL	GRAISSEUR	ENGRASADOR
12	09.0675.0401	1	MARTELLO	HAMMER	HAMMER	MARTEAU	MARTILLO
13	09.0675.0451	1	CHIAVE	KEY	SCHLÜSSEL	CLE	LLAVE
100	28755	1	CASSETTA COMPLETA	CASE	KASTEN	BOITE	CAJA

CLICK HERE TO **DOWNLOAD** THE COMPLETE MANUAL

- Thank you very much for reading the preview of the manual.
- You can download the complete manual from: www.heydownloads.com by clicking the link below



- Please note: If there is no response to CLICKING the link, please download this PDF first and then click on it.

CLICK HERE TO **DOWNLOAD** THE COMPLETE MANUAL