

**CATALOGO PARTI DI RICAMBIO**  
**SPARE PARTS CATALOGUE**  
**CATALOGUE PIECES DETACHEES**  
**ERSATZEIL KATALOG**

CLICK HERE TO **DOWNLOAD** THE COMPLETE MANUAL

- Thank you very much for reading the preview of the manual.
- You can download the complete manual from: [www.heydownloads.com](http://www.heydownloads.com) by clicking the link below



- Please note: If there is no response to CLICKING the link, please download this PDF first and then click on it.

CLICK HERE TO **DOWNLOAD** THE COMPLETE MANUAL

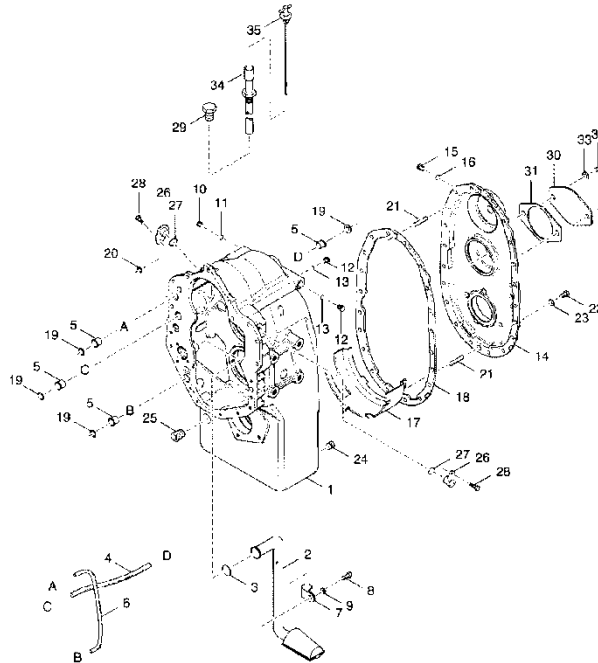
## 6. Accessories / Optionals

Tav. Drg.	rev .	Validità da Validity from	Validità a Validity to	Descrizione Description
	rev			
	.			
R1317	0	408.002		Heaters - Electrical accessories
R1318	0	408.002		Heaters - Electrical accessories
R1311	0	408.001		Installation of tyre 16.00 R25
R952	0	408.018		A/C hydraulic system
R969	0	408.042		Heat exchanger by-pass valve
R1464	0	408.001		Encoder on electric manifold
R1726	0	408.147		Air conditioned
R1503	0	408.001		ENGINE STOP + SPARK ARRESTOR
R985	0	408.132		Stickers
R1727	0	408.147		Air conditioned
R1728	0	408.147		Air conditioned

**TEREX®****RC45-1**

Tavola/Drawing R1618 - Rev. 0

TEREX®	<b>PARTI DI RICAMBIO</b>	<b>SPARE PARTS</b>	<b>R1618 Rev.0</b>
--------	--------------------------	--------------------	--------------------



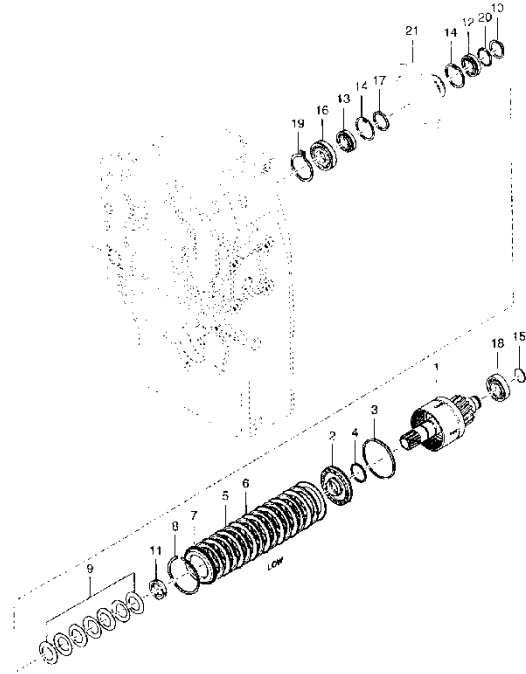
Descrizione:	<b>T20000 Gruppo coperchi posteriori e cassa</b>	Description:	<b>T20000 Case and rear cover group</b>
--------------	--	--------------	---

Rif. Ref	Cod. P/N	Q.tà Q.ty	Descrizione	Description	Beschreibung	Description	Descrpcion
5	04.0255.0075	4	TAPPO	PLUG	DECKEL		BOUCHON
9	01.0036.0058	1	RONDELLA	WASHER	SCHEIBE		RONDELLE
13	07.0504.1634	2					
14	07.0504.1757	1	COPERCHIO	ASSY REAR COVER			
18	07.0504.1693	1	GUARNIZIONE	GASKET			JOINT
19	06.0425.0123	4	OR	O'RING	O'RING		O'RING
20	06.0425.0116	1	OR	O'RING	O'RING		O'RING
26	07.0504.1694	2	TAPPO	PLUG			BOUCHON
30	07.0504.1747	1	GUARNIZIONE	GASKET COVER			
33	01.0036.0051	2	RONDELLA	WASHER	SCHEIBE		RONDELLE
34	K.64501.06	1					
35	07.0504.0511	1	ASTA LIVELLO	LEVEL ROD	MESSTAB		JAUGE DE NIVEAU

**TEREX®****RC45-1**

Tavola/Drawing R1628 - Rev. 0

TEREX®	<b>PARTI DI RICAMBIO</b>	<b>SPARE PARTS</b>	<b>R1628 Rev.0</b>
--------	--------------------------	--------------------	--------------------



Descrizione:	<b>T20000 Gruppo albero gamma bassa</b>	Descrizione:	<b>T20000 Group low speed shaft</b>
--------------	---	--------------	-------------------------------------

Rif. Ref	Cod. P/N	Q.tà Q.ty	Descrizione	Description	Beschreibung	Description	Descrpcion
2	07.0504.0364	1	PISTONE FRIZIONE	CLUTCH PISTON	KOLBEN	PISTON	
3	07.0504.0365	1	ANELLO	RING	RING	ANNEAU	
4	07.0504.0366	1	ANELLO	RING	RING	ANNEAU	
5	07.0504.0493	8	DISCO FRIZIONE	CLUTCH DISCH	KUPPLUNGSPLATTE	DISCQUE EMBAYAGE DISQUE D'ACIER	
6	07.0504.0363	8	DISCO ACCIAIO	STEEL DISC	STAHL PLATTE	DISQUE D'ACIER	
7	07.0504.1677	1	PIASTRA	PLATE			
8	07.0504.0360	1	ANELLO	RING	RING	ANNEAU	
9	07.0504.1673	1	MOLLA	SPRING		RONDELLE ELASTE	
10	02.0129.0053	1	ANELLO DI BLOCCO	CIRCLIP	SICHERUNGSRING	BAGUE D'ARRET	
12	03.0162.0058	1	CUSCINETTO	BEARING	LAGER	COUSSINET	
13	F.18396.60	1	CUSCINETTO	BEARING		ROULEMENT	
14	07.0504.1687	2					
15	U.83460.74	1	ANELLO PISTONE	PISTON RING			
16	03.0157.0304	1	CUSCINETTO	BEARING			
17	07.0504.1703	1					
18	07.0504.1678	1					
19	02.0129.0068	1	ANELLO	RING	DICHTUNG	ANNEAU	
20	07.0504.1676	1	RETAINER	RETAINER		BAGUE	

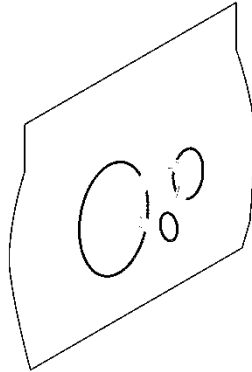


**TEREX®**

**RC45-1**

**Tavola/Drawing R1638 - Rev. 0**

<b>TEREX®</b>	<b>PARTI DI RICAMBIO</b>	<b>SPARE PARTS</b>	<b>R1638 Rev.0</b>
---------------	--------------------------	--------------------	--------------------

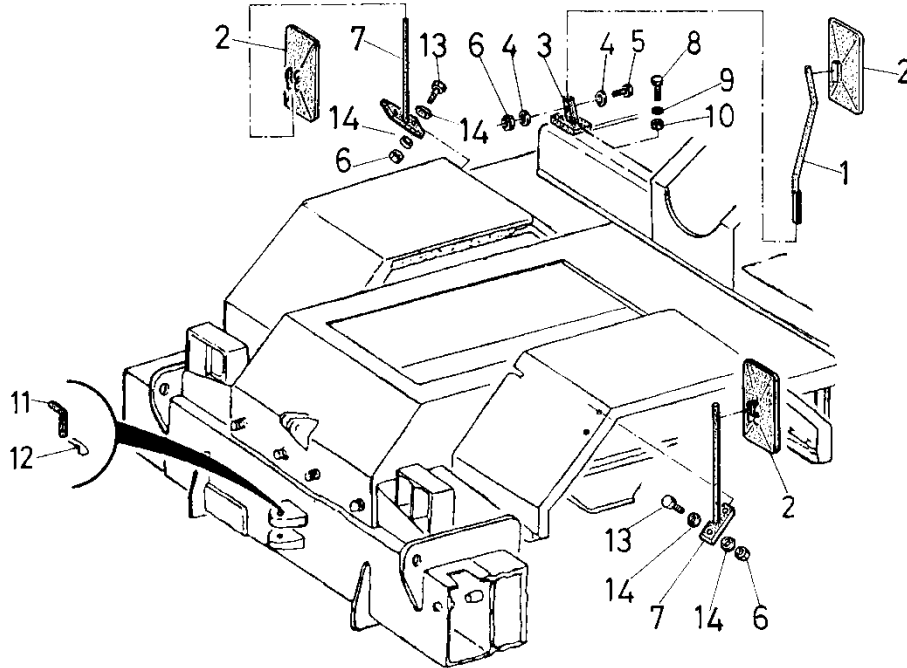


<small>Descrizione.</small>	<b>T20000 - Kit guarnizioni</b>	<small>Description.</small>	<b>T20000 - Kit gasket and sealing ring kit</b>
-----------------------------	---------------------------------	-----------------------------	---

Rif. Ref	Cod. P/N	Q.tà Q.ty	Descrizione	Description	Beschreibung	Description	Descricion
0	07.0504.1746	1	GUARNIZIONE	GASKET CONV.			

**Tavola/Drawing R519 - Rev. 0**

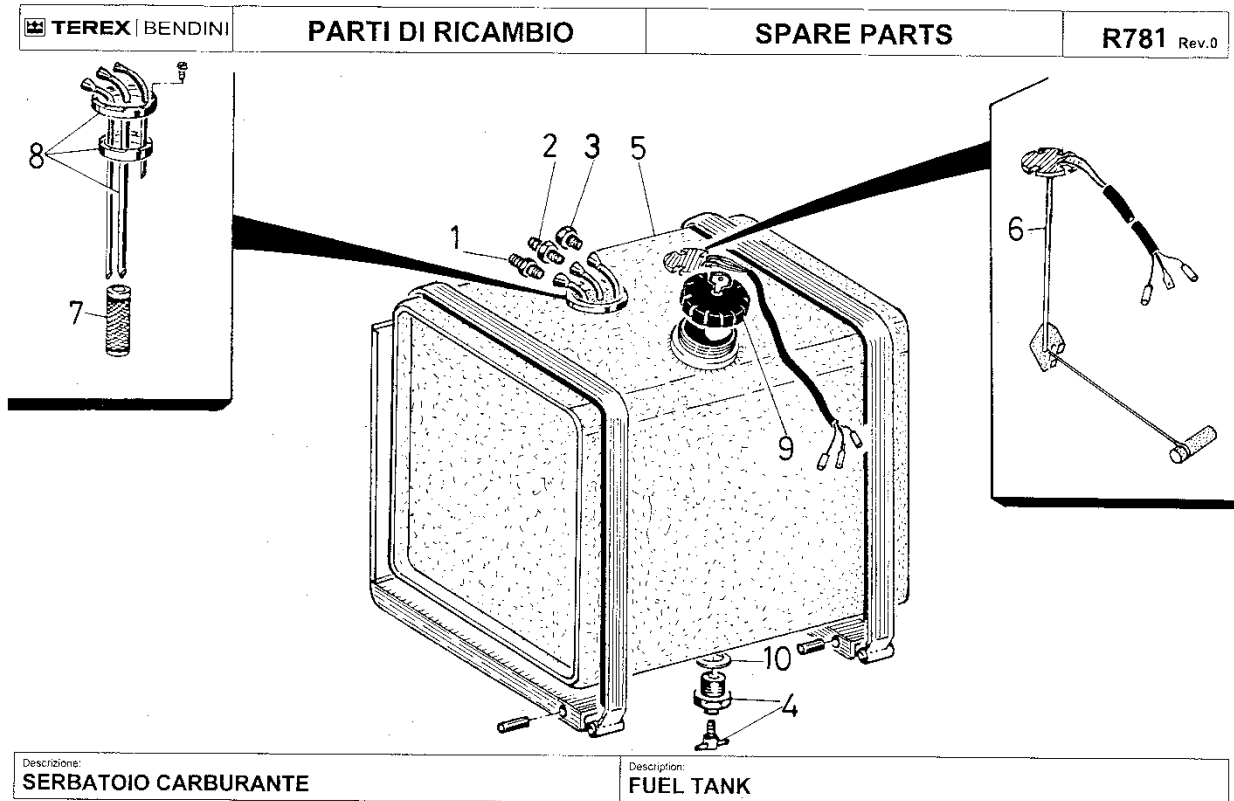
**PARTI DI RICAMBIO**

 Codice 36371  
 Rev. 00 del 01.09.02


Modello <b>RC 45</b>	Descrizione <b>SPECCHI RETROVISORI ANTERIORI TELAIO</b>	<b>R 519</b> Rev.0
-------------------------	--	--------------------

Rif. Ref	Cod. P/N	Q.tà Q.ty	Descrizione	Description	Beschreibung	Description	Description
1	16342	1	ASTA	ROD	STANGE	BARRE	BARRA
2	09.0610.1153	3	SPECCHIO	MIRROR	SPIEGEL	RETROVISEUR	ESPEJO
3	13348	1	SUPPORTO	SUPPORT	HALTER	SUPPORT	SOPORTE
4	01.0031.0055	10	RONDELLA	WASHER	UNTERLEGSCHLEIBE	RONDELLE	ARANDELA
5	01.0001.0259	1	VITE	SCREW	SCHRAUBE	VIS	TORNILLO
6	01.0023.0054	5	DADO	NUT	MUTTER	ECROU	TUERCA
7	40560	2	ASTA	ROD	STANGE	BARRE	BARRA
8	01.0001.0355	2	VITE	SCREW	SCHRAUBE	VIS	TORNILLO
9	01.0031.0204	2	RONDELLA	WASHER	UNTERLEGSCHLEIBE	RONDELLE	ARANDELA
10	01.0023.0055	2	DADO	NUT	MUTTER	ECROU	TUERCA
11	19677	1	PERNO	PIN	BOLZEN	AXE	PERNO
12	02.0113.0051	1	COPIGLIA	SPLIT PIN	SPLINT	GOUPILLE	CLAVIJA
13	01.0001.0257	4	VITE	SCREW	SCHRAUBE	VIS	TORNILLO

## Tavola/Drawing R781 - Rev. 0

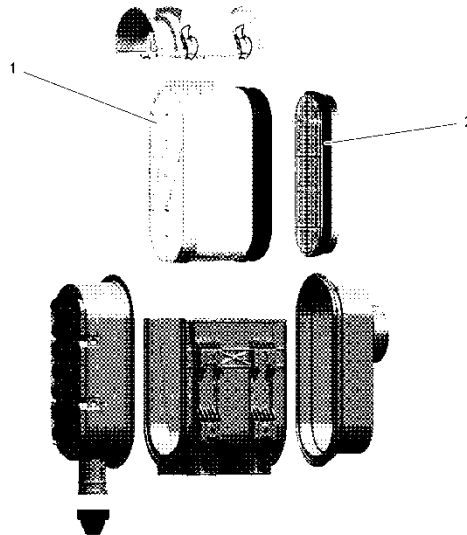


Rif. Ref	Cod. P/N	Q.tà Q.ty	Descrizione	Description	Beschreibung	Description	Descricion
1	21376	1	RACCORDO	FITTING	ANSCHLUSS	RACCORD	CONEXIÓN
2	21377	1	RACCORDO	FITTING	ANSCHLUSS	RACCORD	CONEXIÓN
3	27565	1	TAPPO	PLUG	VERSCHLUSS	BOUCHON	TAPÓN
4	09.0694.0105	1	VALVOLA	VALVE	VENTIL	SOUPAPE	VÁLVULA
5	09.0694.0101	1	SERBATOIO	TANK	TANK	RESERVOIR	DEPÓSITO
6	09.0694.0108	1	INDICATORE	INDICATOR	ANZEIGE	INDICATEUR	INDICADOR
7	09.0604.0353	1	FILTRO	FILTER	FILTER	FILTRE	FILTRO
8	09.0694.0103	1	PESCANTE	FEED PIPE	SAUGSCHLAUCH	PLONGEUR	ASPIRADOR
9	09.0661.0057	1	TAPPO	PLUG	VERSCHLUSS	BOUCHON	TAPÓN
10	06.0443.0057	1	RONDELLA	WASHER	UNTERLEGSCHIEBE	RONDELLE	ARANDELA

**TEREX®****RC45-1**

Tavola/Drawing R920 - Rev. 0

<b>TEREX</b>	<b>PARTI DI RICAMBIO</b>	<b>SPARE PARTS</b>	<b>R920</b> Rev.0
--------------	--------------------------	--------------------	-------------------



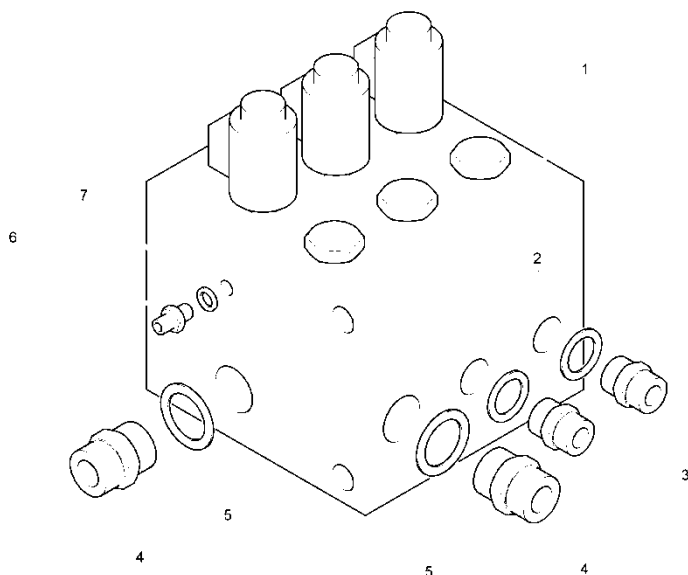
<small>Descrizione:</small> <b>Filtro aria</b>	<small>Description:</small> <b>Air filter</b>
---	--

Rif. Ref	Cod. P/N	Q.tà Q.ty	Descrizione	Description	Beschreibung	Description	Descrpcion
1	09.0604.0718	1	FILTRO	FILTER	FILTER	FILTRE	FILTRO
2	09.0604.0719	1	FILTRO	FILTER	FILTER	FILTRE	FILTRO

**TEREX®****RC45-1**

Tavola/Drawing R1453 - Rev. 0

<b>TEREX</b>	<b>PARTI DI RICAMBIO</b>	<b>SPARE PARTS</b>	<b>R1453 Rev.0</b>
--------------	--------------------------	--------------------	--------------------

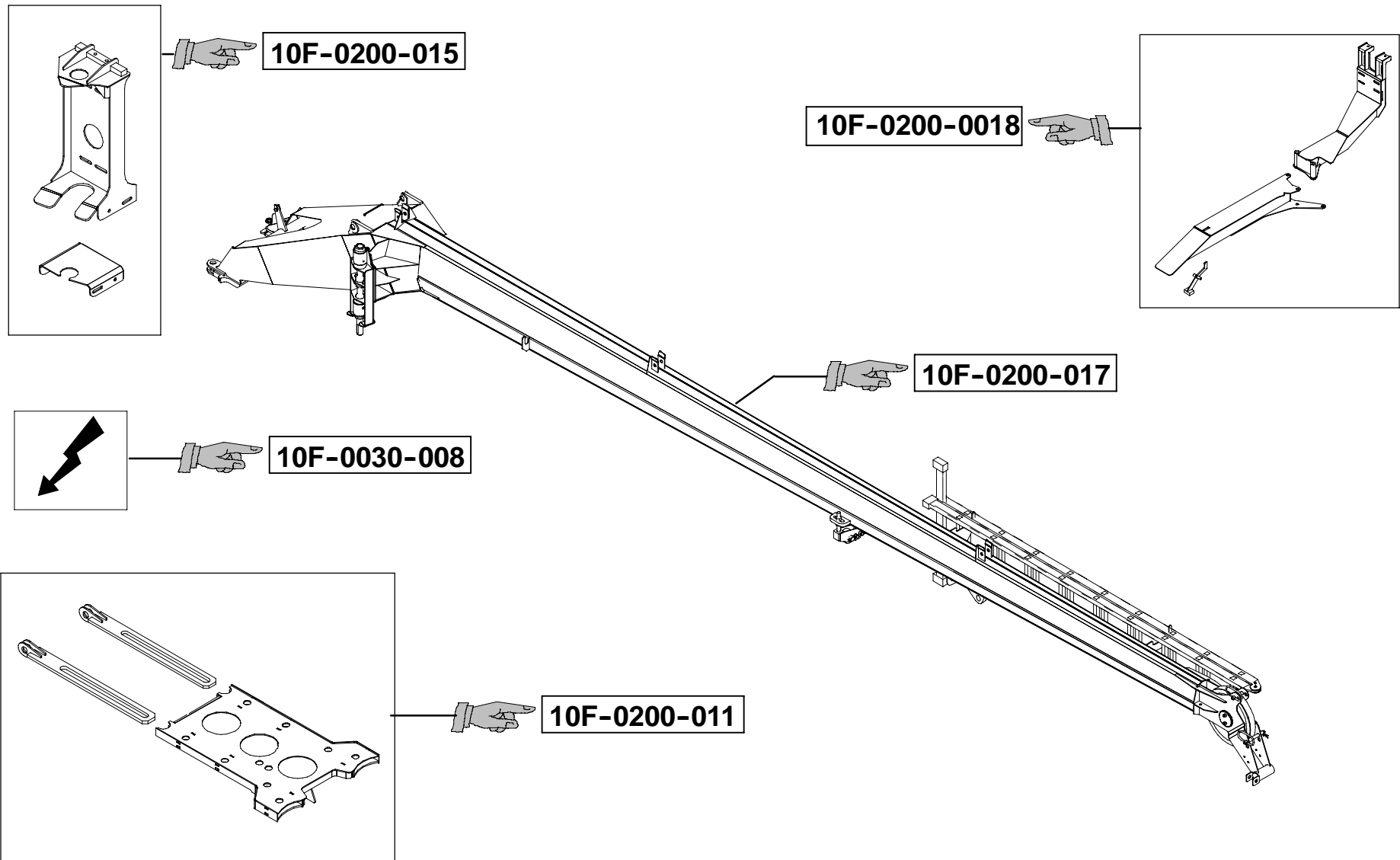


<i>Descrizione:</i> <b>Montaggio valvola riduzione portata</b>	<i>Description:</i> <b>Flow reduction valve assembly</b>
--	--

Rif. Ref	Cod. P/N	Q.tà Q.ty	Descrizione	Description	Beschreibung	Description	Descrpcion
6	04.0216.0061	1	RACCORDO	FITTING	ANSCHLUSS	RACCORD	CONEXIÓN
3	04.0216.0101	2	RACCORDO	FITTING	ANSCHLUSS	RACCORD	CONEXIÓN
4	04.0216.0111	2	RACCORDO	FITTING	ANSCHLUSS	RACCORD	CONEXIÓN
2	06.0422.0018	2	RONDELLA	WASHER	UNTERLEGSCHIEBE	RONDELLE	ARANDELA
5	06.0422.0023	2	RONDELLA	WASHER	UNTERLEGSCHIEBE	RONDELLE	ARANDELA
7	06.0422.0029	1	RONDELLA	WASHER	UNTERLEGSCHIEBE	RONDELLE	ARANDELA
1	44889	1	VALVOLA	VALVE	VENTIL	SOUPAPE	VÁLVULA

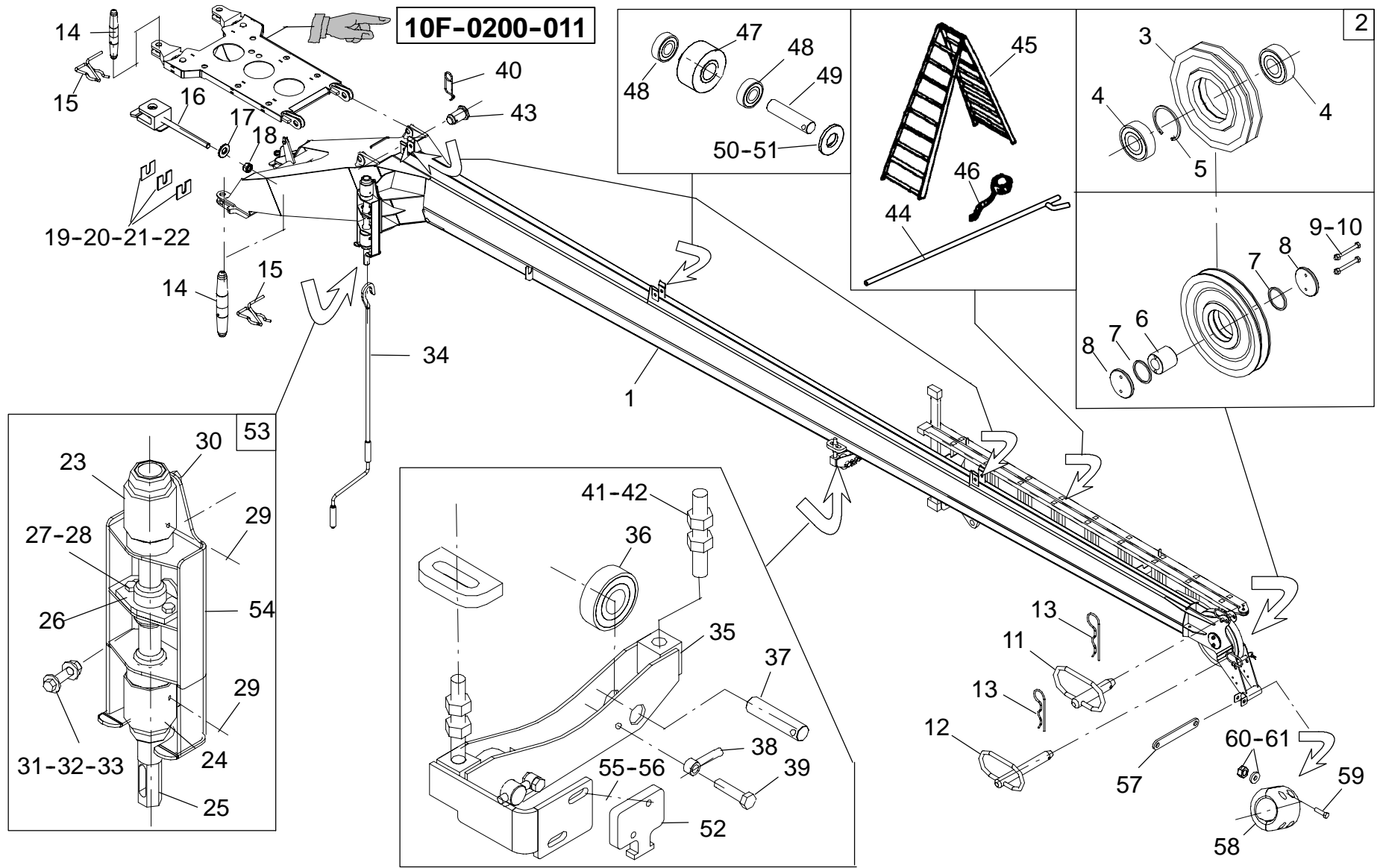
PIECES DE RECHANGE  
ERSATZTEILE  
SPARE PARTS

EXTENSION  
DEHNUNG  
EXTENSION



PIECES DE RECHANGE  
ERSATZTEILE  
SPARE PARTS

EXTENSION  
DEHNUNG  
EXTENSION



**PIECES DE RECHANGE  
SPARE PARTS  
ERSATZTEILE**

**FLECHE  
BOOM  
AUSLEGER**

REP	REFERENCE	QTE	PRECO QTE-LISTE	DESIGNATION	DESCRIPTION	BEZEICHUNG
-----	-----------	-----	--------------------	-------------	-------------	------------

**OPT. POULIE AUXILIAIRE STOCKABLE**

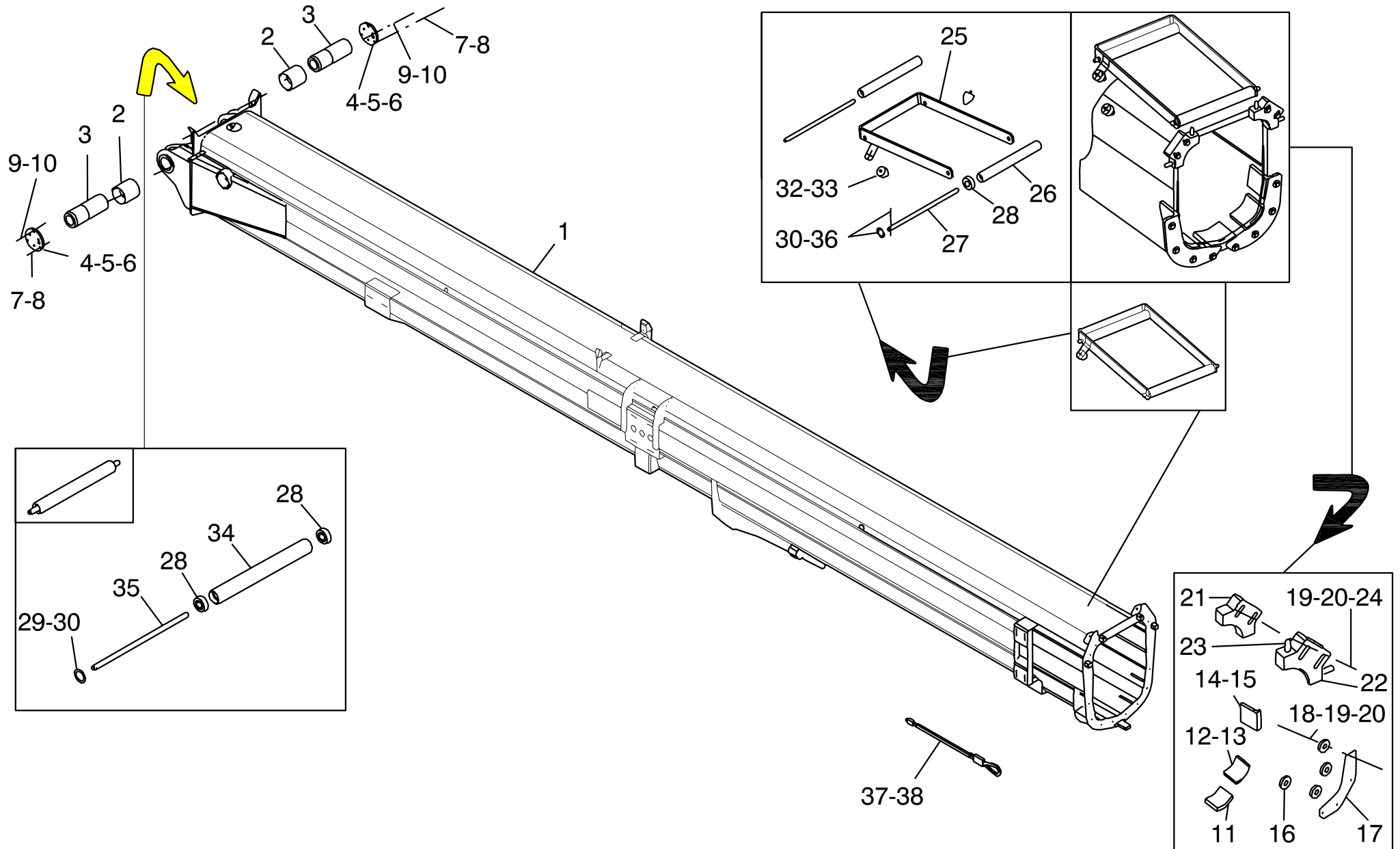
**ROOSTER SHEAVE OPT.**

**SEILROLLE SONDER.**

26	H0534527	4	-	ECROU SECU M16X1.5 CL10	NUT	MUTTER
27	K8227822	2	-	AXE DE 30 LU 65.5 A TETE	PIN	ACHSE
28	F0035011	2	-	RONDELLE M30N	WASHER	SCHEIBE
29	Z0035557	2	-	GOUPILLE V8X80	SAFETY-PIN	SICHERHEITSSTIFT
30	W7052280	1	-	FIN DE COURSE LEVAGE EQUIPE	LIMIT SWITCH	ENDCHALTER
31	F0236997	1	-	COLLIER ATTACHE A RESSORT	COLLAR	SCHELLE
32	K0032531	2	-	VIS TCB M4X20	SCREW	SCHRAUBE
33	W2334566	2	-	ECROU TW4	NUT	MUTTER
34	H0332909	2	-	VIS CHC M5X40 8.8	SCREW	SCHRAUBE
35	X2334567	2	-	ECROU TW5	NUT	MUTTER
36	P0236959	10	-	COLLIER UNIVERSEL L165	COLLAR	SCHELLE

PIECES DE RECHANGE  
SPARE PARTS  
ERSATZTEILE

FLECHE  
BOOM  
AUSLEGER



CLICK HERE TO **DOWNLOAD** THE COMPLETE MANUAL

- Thank you very much for reading the preview of the manual.
- You can download the complete manual from: [www.heydownloads.com](http://www.heydownloads.com) by clicking the link below

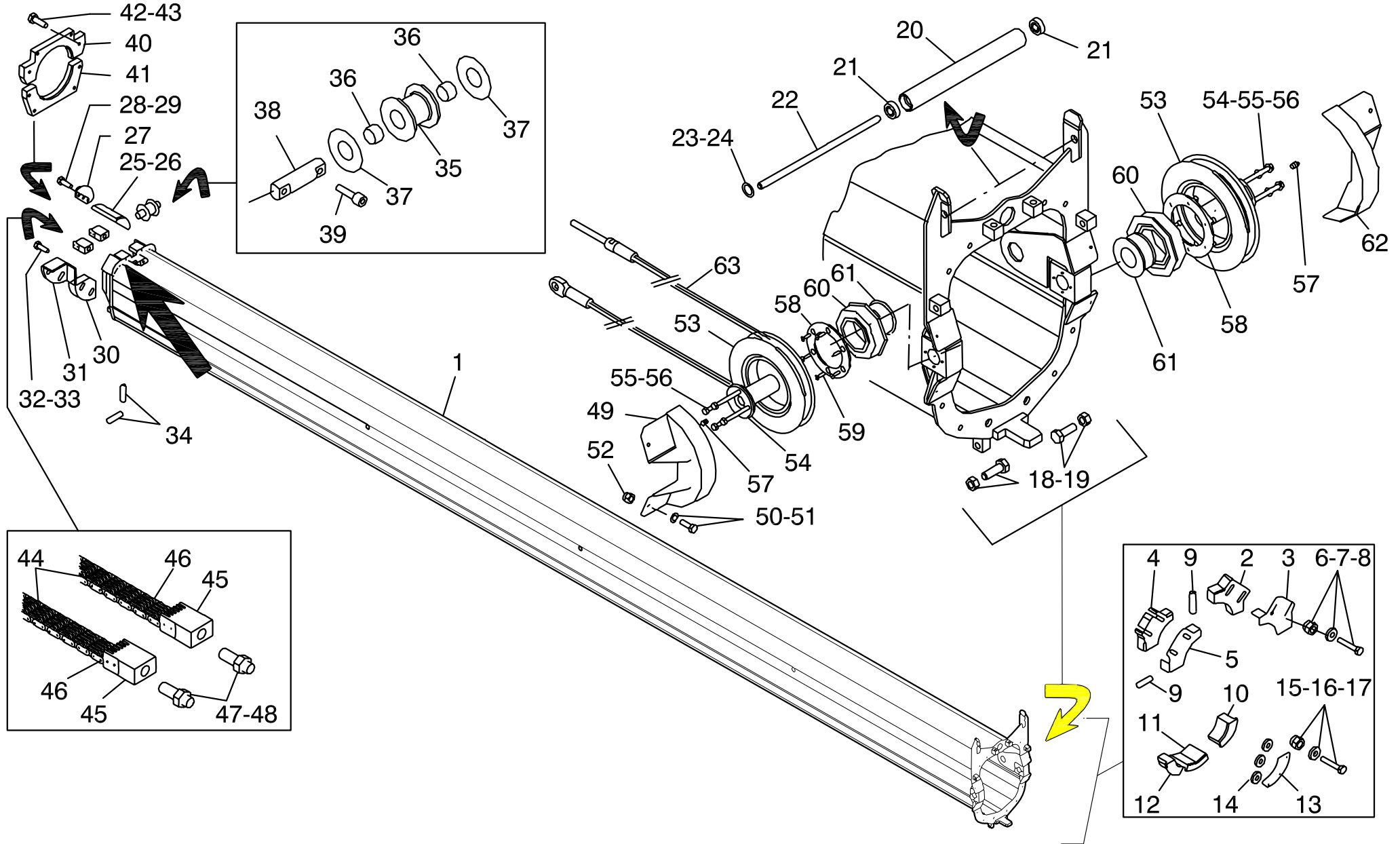


- Please note: If there is no response to CLICKING the link, please download this PDF first and then click on it.

CLICK HERE TO **DOWNLOAD** THE COMPLETE MANUAL

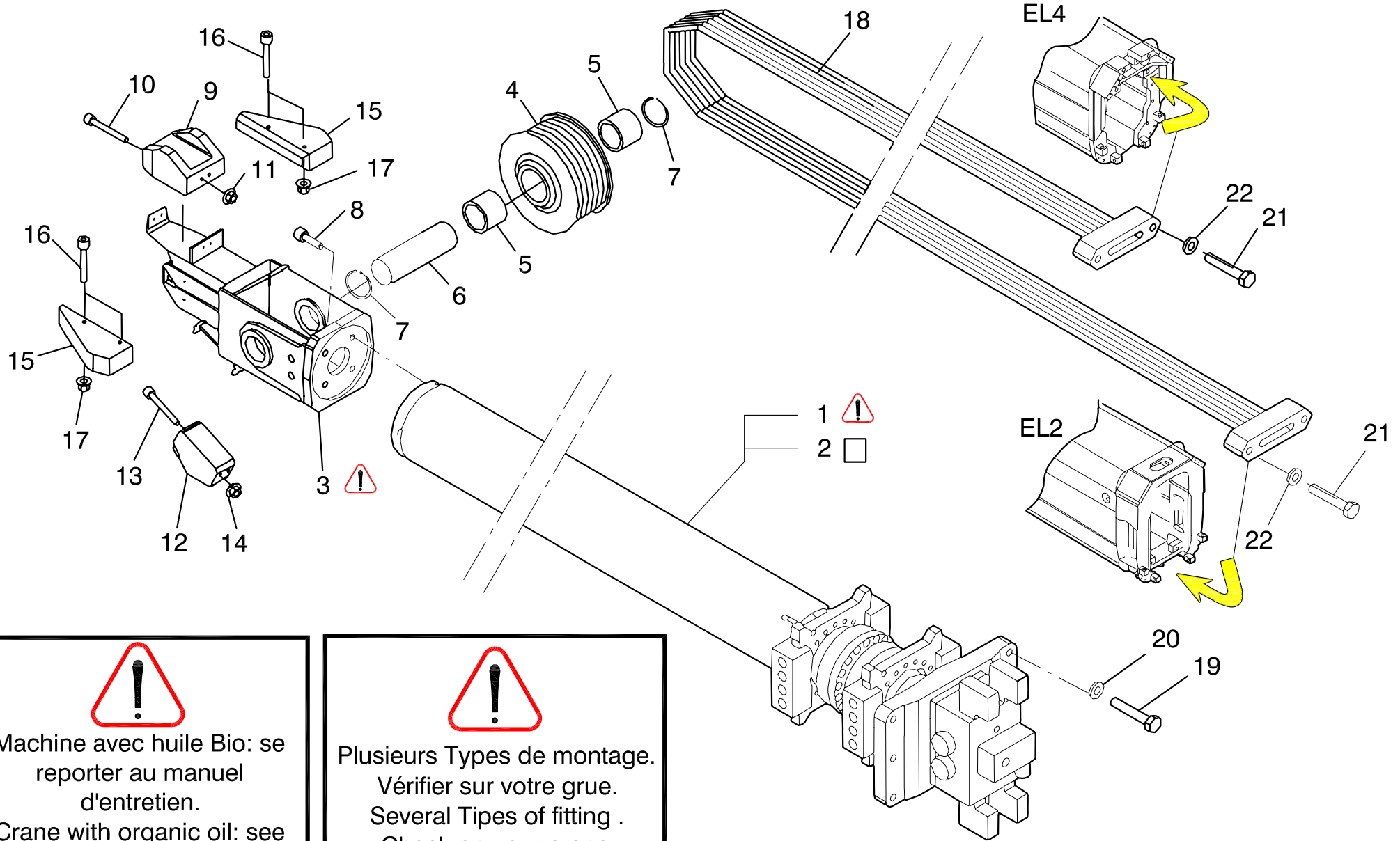
PIECES DE RECHANGE  
SPARE PARTS  
ERSATZTEILE

FLECHE  
BOOM  
AUSLEGER




PIECES DE RECHANGE  
SPARE PARTS  
ERSATZTEILE

FLECHE  
BOOM  
AUSLEGER



  
Machine avec huile Bio: se reporter au manuel d'entretien.  
Crane with organic oil: see your operator's manual.

  
Plusieurs Types de montage. Vérifier sur votre grue.  
Several Types of fitting. Check on your crane.



**TEREX®**

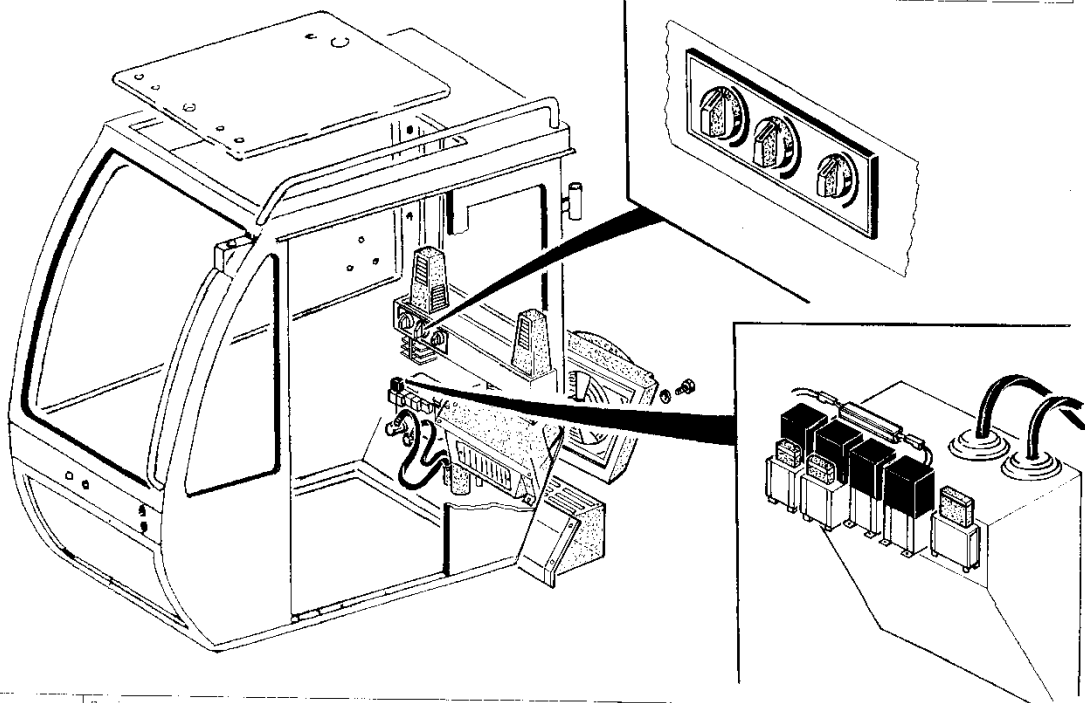
# RC45-1

Tavola/Drawing R215 - Rev. 0



## PARTI DI RICAMBIO

Code: 25371  
Rev. 00 del 01/03/02



Modello  
**A600**

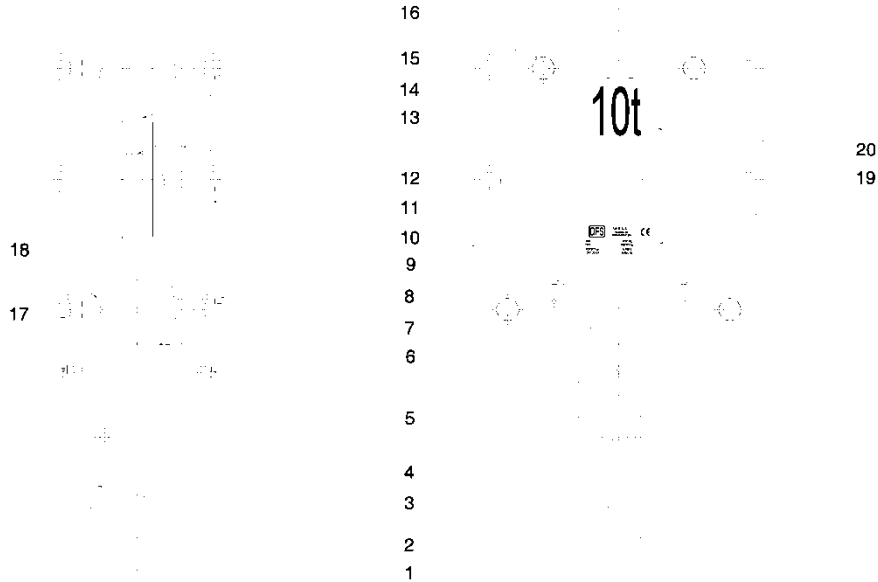
Descrizione:  
**COMPONENTI CLIMATIZZATORE D'ARIA IN CABINA DI GUIDA**

**R215** Rev.0

Rif. Ref	Cod. P/N	Q.tà Q.ty	Descrizione	Description	Beschreibung	Description	Description
-------------	-------------	--------------	-------------	-------------	--------------	-------------	-------------

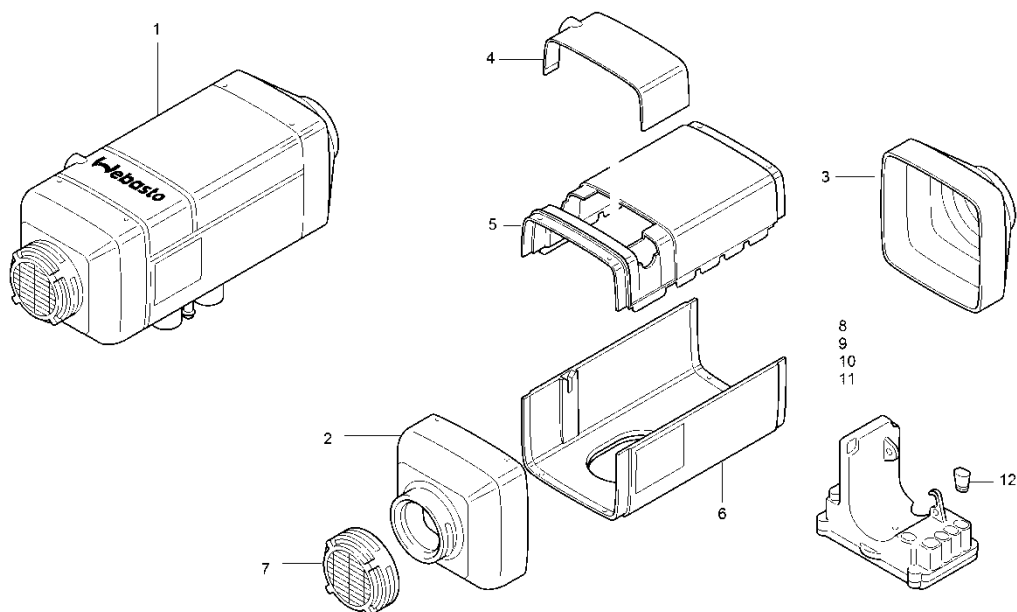
## Tavola/Drawing R696 - Rev. 0

 <b>TEREX®</b>	<b>PARTI DI RICAMBIO</b>	Codice 383/1 Rev. 00 del 01/03/02
---	--------------------------	--------------------------------------



Modello	Descrizione	<b>R696</b> Rev.0
<b>Tutti i modelli</b>	<b>BOZZELLO "OFS" PORTATA 10 ton.</b>	

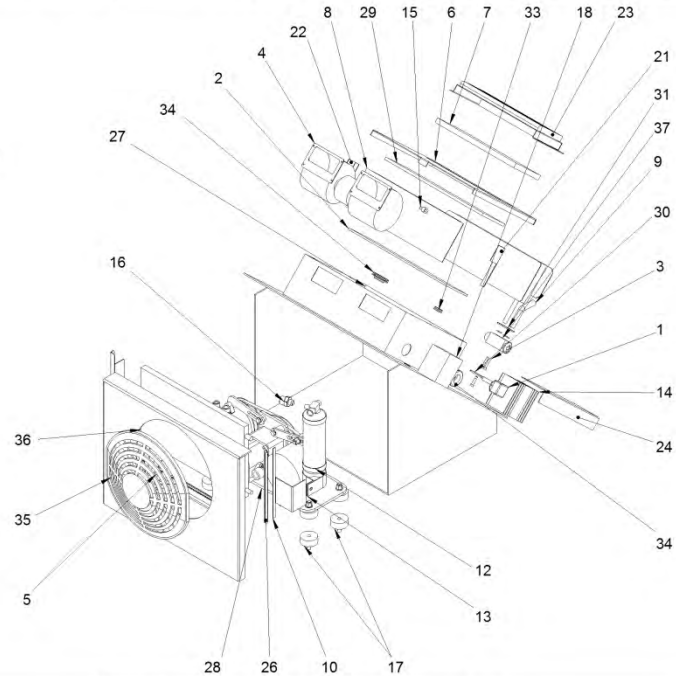
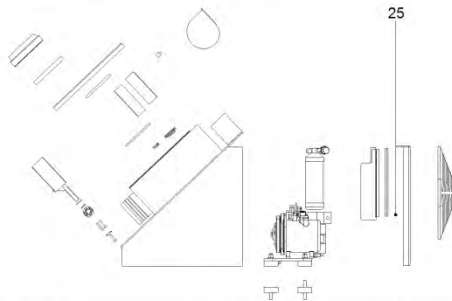
Rif. Ref	Cod. P/N	Q.tà Q.ty	Descrizione	Description	Beschreibung	Description	Descrpcion
1	07.0494.0027	1	GANCIO	HOOK	HAKEN	CROCHET	GANCHO
3	07.0494.0028	2	FIANCATA	SIDE PANEL	FLANKE	COTE	LADO
4	07.0494.0029	1	TRAVERSA	CROSSPIECE	QUERSTREBE	TRAVERSE	LARGUERO
6	07.0494.0030	1	GHIERA	RING NUT	NUTMUTTER	ECROU ANNULAIRE	VIROLA
7	07.0494.0031	1	CUSCINETTO	BEARING	LAGER	ROULEMENT	COJINETE
9	07.0494.0032	6	PERNO	PIN	BOLZEN	AXE	PERNO
11	07.0494.0033	1	PERNO	PIN	BOLZEN	AXE	PERNO
12	07.0494.0034	2	DISTANZIALE	SPACER	DISTANZSTÜCK	ENTRETOISE	DISTANCIADOR
13	07.0494.0035	2	CUSCINETTO	BEARING	LAGER	ROULEMENT	COJINETE
15	07.0494.0036	1	CARRUCOLA	PULLEY	SEILROLLE	POULIE DE ROULEMENT	POLEA
17	07.0494.0037	4	TIRANTE	TIE ROD	ZUGSTANGE	TIRANT	TIRANTE
18	07.0494.0038	4	DISTANZIALE	SPACER	DISTANZSTÜCK	ENTRETOISE	DISTANCIADOR
100	41462	1	BOZZELLO	HOISTING BLOCK	SEILBLOCK	MOUFLE	MOTÓN

**Tavola/Drawing R1315 - Rev. 0**


<small>Descrizione:</small> <b>Riscaldatore ad aria - Parti di caldaia</b>				<small>Description:</small> <b>Heaters - Parts for heater</b>			
Rif. Ref	Cod. P/N	Q.tà Q.ty	Descrizione	Description	Beschreibung	Description	Descripcion
1	08.0583.1010	1	RISCALDATORE CENTRALINA	HEATER ELECTRONIC CONTROL UNIT	HEIZELEMENT STEUERGERÄT	RECHAFFEUR CENTRALE	CALENTADOR UNIDAD DE CONTROL
10	08.0583.1012	1					

## Tavola/Drawing R1726 - Rev. 0

	<b>PARTI DI RICAMBIO</b>	<b>SPARE PARTS</b>	<b>R1726 Rev.0</b>
--	--------------------------	--------------------	--------------------

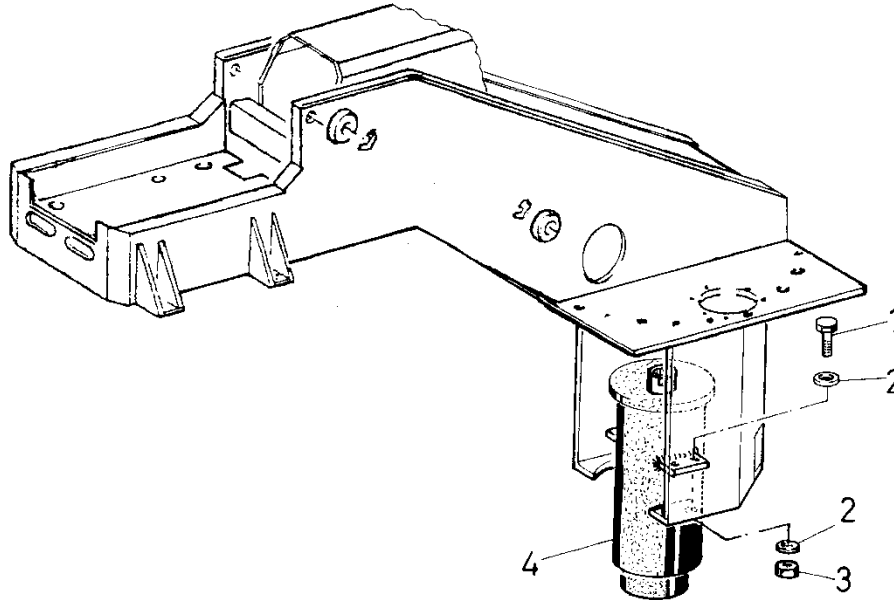


<i>Descrizione:</i> <b>Aria condizionata</b>	<i>Description:</i> <b>Air conditioned</b>
---	---

Rif. Ref	Cod. P/N	Q.tà Q.ty	Descrizione	Description	Beschreibung	Description	Descricion
1	08.0583.0801	1	TERMOSTATO	THERMOSTAT	THERMOSTAT	THERMOSTAT	TERMOSTATO
4	08.0583.0802	1	ELETTOVENTILATORE	ELECTRIC FAN UNIT	ELEKTROLÜFTERRAD	ELECTROVENTILATUR	VENTILADOR ELÉCTRICO
7	08.0583.0803	1	FILTRO	FILTER	FILTER	FILTRE	FILTRO
12	08.0583.0805	1	FILTRO	FILTER	FILTER	FILTRE	FILTRO
14	08.0583.0806	1	RIDUTTORE DI TENSIONE	VOLTAGE DRIVED	ABSPANNER	REDUCTEUR DE TENSION	REDUCTOR DE VOLTAJE
15	08.0583.0807	1	SONDA TERMICA	HEAT SENSOR	WÄRMESONDE	SONDE THERMIQUE	SONDA TÉRMICA
23	08.0583.1016	1	COPERCHIO	COVER	DECKEL	COUVERCLE	TAPA

**TEREX®****RC45-1**

Tavola/Drawing R001 - Rev. 0

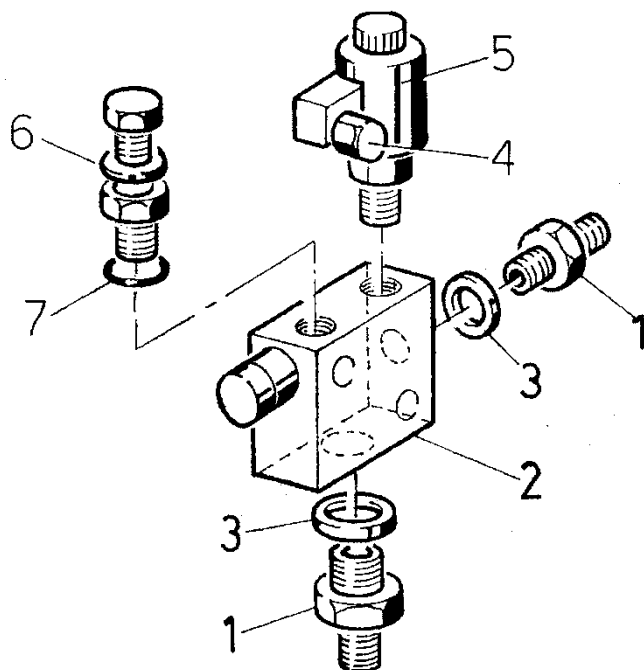
**PARTI DI RICAMBIO**Codice 38371  
Rev. 98 del 01/03/02

Modello <b>A350 A400 A450</b>	Descrizione <b>MONTAGGIO CENTRALINA SU TORRE</b>	<b>R001</b> Rev.0
----------------------------------	---	-------------------

Rif. Ref	Cod. P/N	Q.tà Q.ty	Descrizione	Description	Beschreibung	Description	Descrpcion
1	01.0001.0554	4	VITE	SCREW	SCHRAUBE	VIS	TORNILLO
2	01.0031.0058	8	RONDELLA	WASHER	UNTERLEGSCHIBE	RONDELLE	ARANDELA
3	01.0023.0057	4	DADO	NUT	MUTTER	ECROU	TUERCA
4	04.0235.2257	1	DISTRIBUTORE ROTANTE	HYDRAULIC SWIVEL	DREHVERTEILER	DISTRIBUTEUR TOURNANT	DISTRIBUIDOR GIRATORIO

## Tavola/Drawing 744 - Rev. 0

 <b>TEREX BENDINI</b>	<b>PARTI DI RICAMBIO</b>	13.04.2021 Rev. 00 - 1.05.02
--	--------------------------	---------------------------------

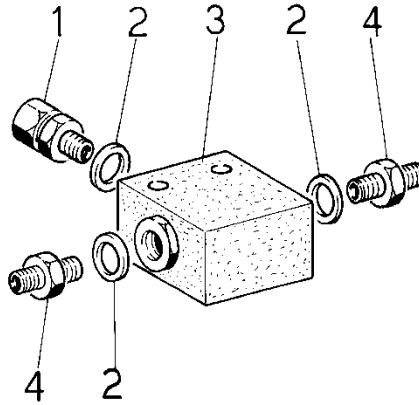


Modello	Descrizione:	744	Rev.0
<b>A350-A400-A450-A600</b>	<b>ELETTROVALVOLA SUPPLEMENTO OLIO</b>		

Rif. Ref	Cod. P/N	Q.tà Q.ty	Descrizione	Description	Beschreibung	Description	Descripcion
1	04.0215.0094	2	RACCORDO	FITTING	ANSCHLUSS	RACCORD	CONEXIÓN
2	04.0239.0099	1	VALVOLA	VALVE	VENTIL	SOUPAPE	VÁLVULA
3	06.0442.0107	2	RONDELLA	WASHER	UNTERLEGSCHIEBE	RONDELLE	ARANDELA
4	04.0239.0102	1	CONNETTORE	CONNECTOR	STECKER	CONNECTEUR	CONECTADOR
5	04.0239.0496	1	SOLENOIDE	SOLENOID	SOLENOID	SOLENOIDE	SOLENOIDE
6	06.0442.0055	1	RONDELLA	WASHER	UNTERLEGSCHIEBE	RONDELLE	ARANDELA
7	06.0401.0219	1	OR	O-RING	O-RING	JOINT TORIQUE	ANILLO OR

**TEREX®****RC45-1**

Tavola/Drawing R015 - Rev. 0

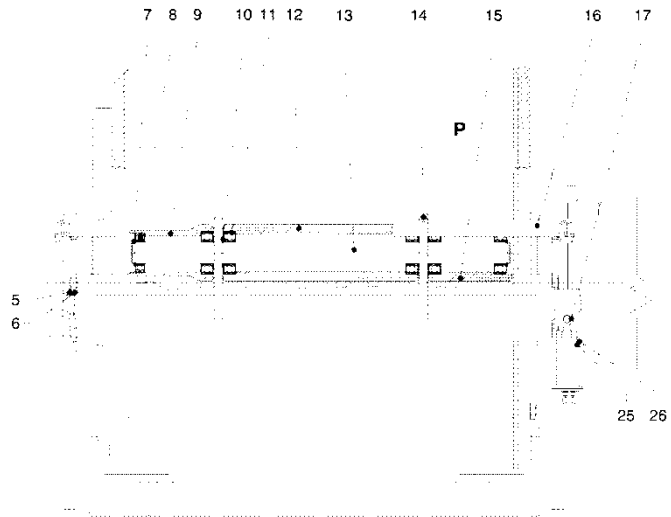
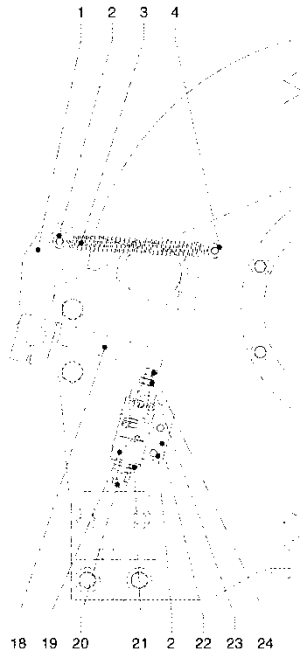
**TEREX**  
ITALIA**PARTI DI RICAMBIO**Codice: 383/1  
Rev: 00 del 01/03/02

Modello <b>A350 A400 A450 A600</b>	Descrizione: <b>PREPARAZIONE VALVOLA SELLETTRICE ROTAZIONE</b>	<b>R015</b> Rev.0
---------------------------------------	---	-------------------

Rif. Ref	Cod. P/N	Q.tà Q.ty	Descrizione	Description	Beschreibung	Description	Descrpcion
1	04.0217.0053	1	RACCORDO	FITTING	ANSCHLUSS	RACCORD	CONEXIÓN
2	06.0442.0101	3	RONDELLA	WASHER	UNTERLEGSCHIEBE	RONDELLE	ARANDELA
3	04.0239.8018	1	VALVOLA	VALVE	VENTIL	SOUPEAPE	VÁLVULA
4	04.0216.0061	2	RACCORDO	FITTING	ANSCHLUSS	RACCORD	CONEXIÓN

**TEREX®****RC45-1****Tavola/Drawing R1059 - Rev. 0**

<b>TEREX</b>	<b>PARTI DI RICAMBIO</b>	<b>SPARE PARTS</b>	<b>R1059</b> Rev.0
--------------	--------------------------	--------------------	--------------------

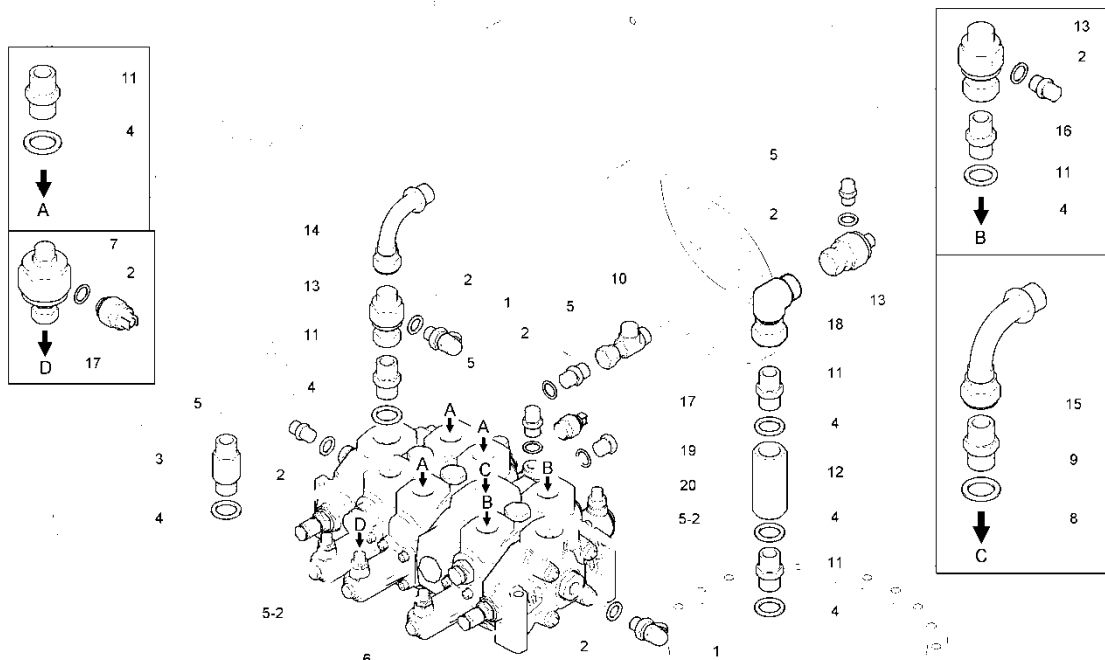


Descrizione <b>Kit pressacavo e fine corsa TW4 – TW5</b>	Description <b>Press-cable kit + limit switch TW4 – TW5</b>
---	--

Rif. Ref	Cod. P/N	Q.tà Q.ty	Descrizione	Description	Beschreibung	Description	Descrpcion
1	07.0492.0161	1	BRACCIO	BOOM	ARM	FLECHE	PLUMA
3	07.0492.0162	2	MOLLA	SPRING	FEDER	RESSORT	MUELLE
5	07.0492.0163	1	COPIGLIA	SPLIT PIN	SPLINT	GOUPILLE	CLAVIJA
7	07.0492.0164	2	SEEGER	CIRCLIP	SEEGER	CIRCLIP	SEEGER
8	07.0492.0165	1	CUSCINETTO	BEARING	LAGER	ROULEMENT	COJINETE
9	07.0492.0166	1	RULLO	ROLLER	WALZE	ROULEAU	RODILLO
10	07.0492.0167	4	SPESSORE	SHIM	PASSSCHEIBE	CALE D'EPAISSEUR	ARANDELA
11	07.0492.0168	5	CUSCINETTO	BEARING	LAGER	ROULEMENT	COJINETE
12	07.0492.0169	1	RULLO	ROLLER	WALZE	ROULEAU	RODILLO
13	07.0492.0170	1	PERNO	PIN	BOLZEN	AXE	PERNO
15	07.0492.0171	1	RULLO	ROLLER	WALZE	ROULEAU	RODILLO
16	07.0492.0172	1	PERNO	PIN	BOLZEN	AXE	PERNO
18	07.0492.0173	1	LEVA	LEVER	HEBEL	LEVIER	PALANCA
19	07.0492.0009	1	MICROINTERRUTTORE	MICROSWITCH	MIKROSCHALTER	MICRORUPTEUR	MICROINTERRUPTOR
22	07.0492.0175	1	SUPPORTO	SUPPORT	HALTER	SUPPORT	SOPORTE
23	07.0492.0176	1	VITE	SCREW	SCHRAUBE	VIS	TORNILLO

## Tavola/Drawing R1513 - Rev. 1

	<b>PARTI DI RICAMBIO</b>	<b>SPARE PARTS</b>	<b>R1513 Rev.1</b>
--	--------------------------	--------------------	--------------------



Descrizione:  
**Distributore sollevamento, sfilo e rotazione**

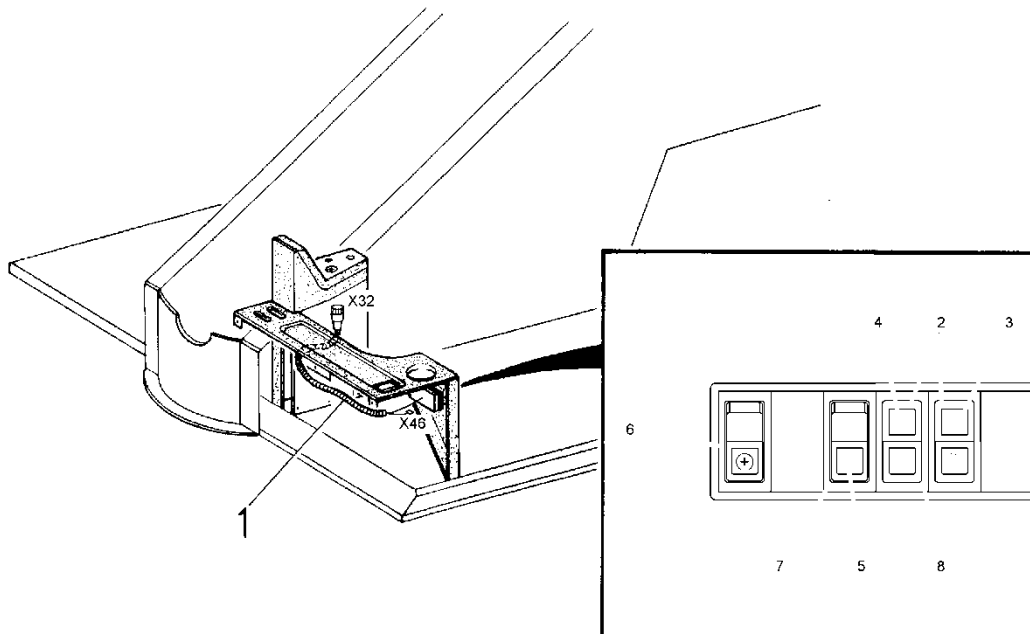
Description:  
**Lifting, extending, slewing distributor**

Rif. Ref	Cod. P/N	Q.tà Q.ty	Descrizione	Description	Beschreibung	Description	Descricion
1	04.0210.0052	2	INNESTO RAPIDO	QUICK-COUPLING	STECKANSCHLUSS	RACCORD RAPIDE	CONEXIÓN RÁPIDA
2	06.0442.0101	14	RONDELLA	WASHER	UNTERLEGSSCHEIBE	RONDELLE	ARANDELA
3	04.0221.0107	1	NIPLES	NIPPLES	NIPPEL	RACCORD	NIPLES
4	06.0422.0018	10	RONDELLA	WASHER	UNTERLEGSSCHEIBE	RONDELLE	ARANDELA
5	04.0216.0061	8	RACCORDO	FITTING	ANSCHLUSS	RACCORD	CONEXIÓN
6	04.0236.0465	1	DISTRIBUTORE	DISTRIBUTOR	VERTEILER	DISTRIBUTEUR	DISTRIBUIDOR
7	04.0217.0065	1	RACCORDO	FITTING	ANSCHLUSS	RACCORD	CONEXIÓN
8	06.0422.0023	1	RONDELLA	WASHER	UNTERLEGSSCHEIBE	RONDELLE	ARANDELA
9	04.0216.0111	1	RACCORDO	FITTING	ANSCHLUSS	RACCORD	CONEXIÓN
10	04.0219.0056	1	RACCORDO	FITTING	ANSCHLUSS	RACCORD	CONEXIÓN
11	04.0216.0101	8	RACCORDO	FITTING	ANSCHLUSS	RACCORD	CONEXIÓN
12	04.0239.0493	1	VALVOLA	VALVE	VENTIL	SOUPAPE	VÁLVULA
13	21916	4	RACCORDO	FITTING	ANSCHLUSS	RACCORD	CONEXIÓN
14	04.0218.0059	2	RACCORDO	FITTING	ANSCHLUSS	RACCORD	CONEXIÓN
15	04.0218.0063	1	RACCORDO	FITTING	ANSCHLUSS	RACCORD	CONEXIÓN
16	04.0215.0061	2	RACCORDO	FITTING	ANSCHLUSS	RACCORD	CONEXIÓN
17	05.0329.0054	2	PRESSOSTATO	PRESSURE SWITCH	DRUCKWÄCHTER	PRESSOSTAT	PRESOSTATO
18	04.0216.0609	1	RACCORDO	FITTING	ANSCHLUSS	RACCORD	CONEXIÓN
19	04.0220.0055	1	TAPPO	PLUG	VERSCHLUSS	BOUCHON	TAPON
20	06.0442.0103	1	RONDELLA	WASHER	UNTERLEGSSCHEIBE	RONDELLE	ARANDELA

**TEREX®****RC45-1**

Tavola/Drawing R1423 - Rev. 0


<b>TEREX</b>	<b>PARTI DI RICAMBIO</b>	<b>SPARE PARTS</b>	<b>R1423 Rev.0</b>
--------------	--------------------------	--------------------	--------------------

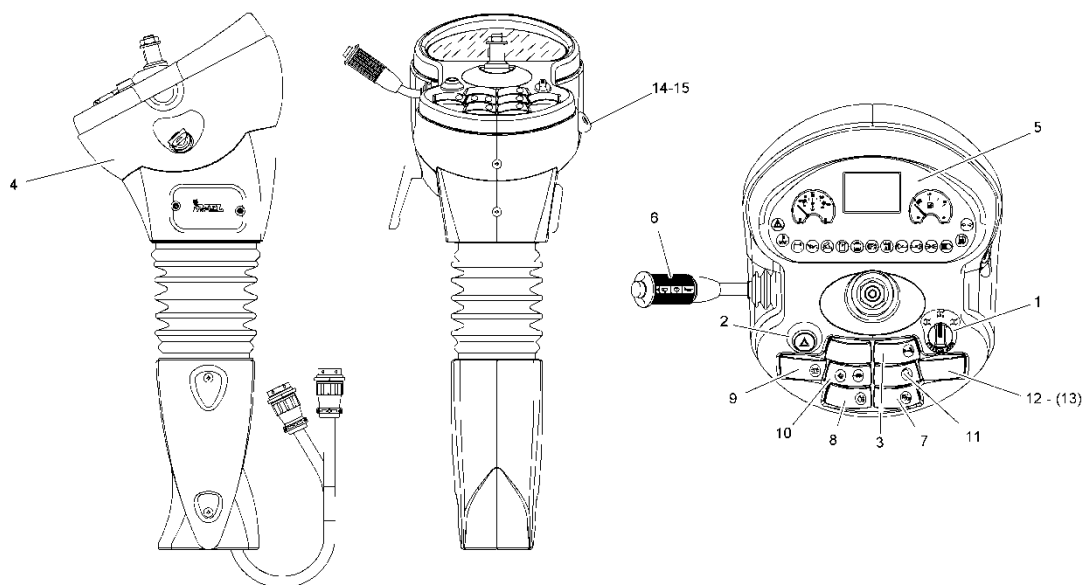


<i>Descrizione:</i>	<b>Pannello diagnostica motore</b>	<i>Description:</i>	<b>Check engine panel</b>
---------------------	------------------------------------	---------------------	---------------------------

Rif. Ref	Cod. P/N	Q.tà Q.ty	Descrizione	Description	Beschreibung	Description	Descrpcion
1	46552	1	CABLAGGIO	WIRING	VERKABELUNG	CABLAGE	CABLAJE
2	08.0559.0591	2	SPIA	PILOT LIGHT	KONTROLLLEUCHTE	TEMOIN	INDICADOR LUMINOSO
3	08.0559.0128	1	VETRINO	GLASS	GLAS	VERRE	CUBREOBJETOS
4	08.0559.0108	1	VETRINO	GLASS	GLAS	VERRE	CUBREOBJETOS
5	08.0559.0117	1	VETRINO	GLASS	GLAS	VERRE	CUBREOBJETOS
6	08.0559.0230	1	INTERRUTTORE	SWITCH	SCHALTER	INTERRUPTEUR	INTERRUPTOR
7	08.0559.0232	1	INTERRUTTORE	SWITCH	SCHALTER	INTERRUPTEUR	INTERRUPTOR
8	08.0559.0233	1	SPIA	PILOT LIGHT	SCHAUAUGE	TEMOIN	INDICADOR LUMINOSO

## Tavola/Drawing R973 - Rev. 1

 <b>TEREX</b>	<b>PARTI DI RICAMBIO</b>	<b>SPARE PARTS</b>	<b>R973 Rev.1</b>
--	--------------------------	--------------------	-------------------



<i>Descrizione:</i>	<b>Colonna centrale</b>	<i>Description:</i>	<b>Central column</b>
---------------------	-------------------------	---------------------	-----------------------

Rif. Ref	Cod. P/N	Q.tà Q.ty	Descrizione	Description	Beschreibung	Description	Descricion
1	08.0559.0227	1	INTERRUTTORE INTERMITTENZA	SWITCH HAZARD	SCHALTER WARNBLINKLICHTSC HALTER	INTERRUPTEUR 4 CLIGNOTANTS	INTERRUPTOR INTERMITENCIA
2	08.0559.0225	1					
3	08.0559.0213	2	PULSANTE CRUSCOTTO	PUSHBUTTON STEERING COLUMN ASS'Y	TASTE INSTRUMENTENBRE TTSAULE	BOUTON-POUSSOIR COLONNE COMM.	PULSADOR COLUMNA
4	44981	1	PANNELLO DEVIAGUIDA	PANEL DRIVE SWITCH	TAFEL LENKERSÄULENSCH ALTER	TABLEAU DE BORD PANNEAU COMMUTATEUR	SALPICADERO PANEL DESVIADOR GUÍA
7	08.0559.0222	1	PULSANTE	PUSHBUTTON	TASTE	BOUTON-POUSSOIR	PULSADOR
8	08.0559.0221	1	PULSANTE	PUSHBUTTON	TASTE	BOUTON-POUSSOIR	PULSADOR
9	08.0559.0226	1	PULSANTE	PUSHBUTTON	TASTE	BOUTON-POUSSOIR	PULSADOR
10	08.0559.0218	1	PULSANTE	PUSHBUTTON	TASTE	BOUTON-POUSSOIR	PULSADOR
11	08.0559.0219	1	PULSANTE	PUSHBUTTON	TASTE	BOUTON-POUSSOIR	PULSADOR
13	08.0559.0220	1	PULSANTE	PUSHBUTTON	TASTE	BOUTON-POUSSOIR	PULSADOR
14	08.0579.0065	1	QUADRO AVVIAMENTO	START CTRL BOARD	ZÜNDSCHALTTAFEL	TABLEAU DE DEMARRAGE	TABLERO DE ENCENDIDO
15	08.0559.0223	1	CHIAVE	KEY	SCHLÜSSEL	CLE	LLAVE

CLICK HERE TO **DOWNLOAD** THE COMPLETE MANUAL

- Thank you very much for reading the preview of the manual.
- You can download the complete manual from: [www.heydownloads.com](http://www.heydownloads.com) by clicking the link below



- Please note: If there is no response to CLICKING the link, please download this PDF first and then click on it.

CLICK HERE TO **DOWNLOAD** THE COMPLETE MANUAL