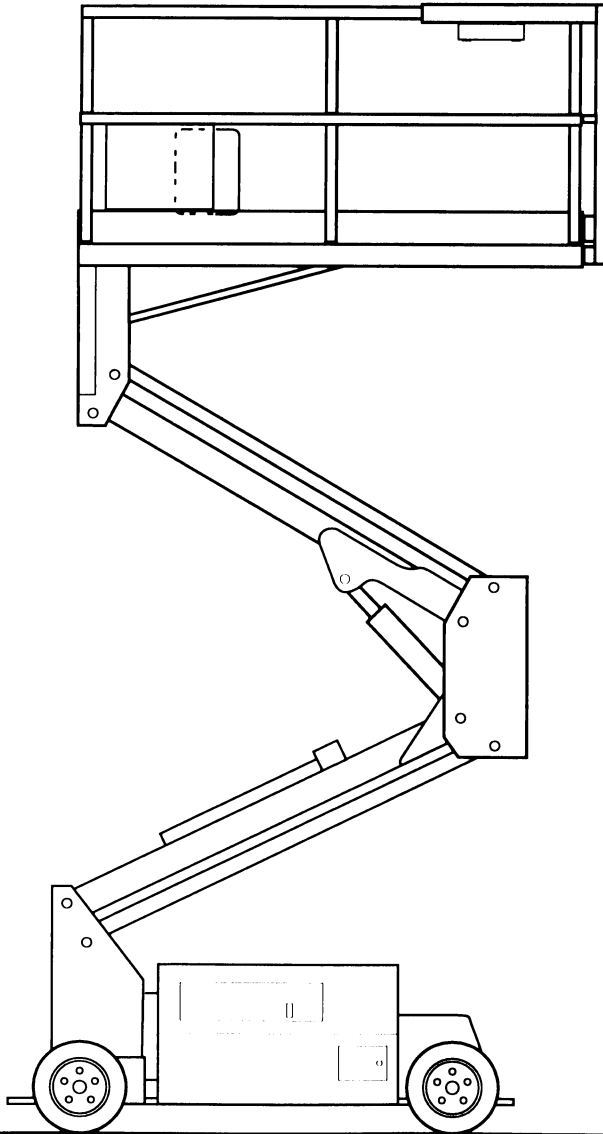
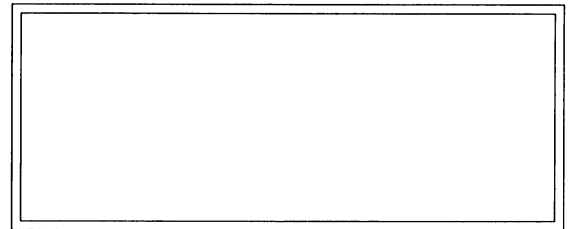


TEREX AERIALS

VERTICAL LIFT, MODEL TV20



FOR PARTS OR SERVICE
CONTACT:



PARTS MANUAL

Art # A00.00710E

Terex Aerials
10600 W. Brown Deer Road
Milwaukee, WI 53224
U.S.A.

Terex Aerials
106 12th Street S. E.
Waverly, IA 50677
U.S.A.

Terex Aerials
Courtstown Industrial Park
Little Island, Co.
Cork, Ireland

Telephone: (414) 362-9300
Facsimile: (414) 355-0832

Telephone: (319) 352-3920
Facsimile: (319) 352-5727

Telephone: (353) 21-353011
Facsimile: (353) 21-353368

Issued: July '98
P/N 17514

CLICK HERE TO **DOWNLOAD** THE COMPLETE MANUAL

- Thank you very much for reading the preview of the manual.
- You can download the complete manual from: www.heydownloads.com by clicking the link below



- Please note: If there is no response to CLICKING the link, please download this PDF first and then click on it.

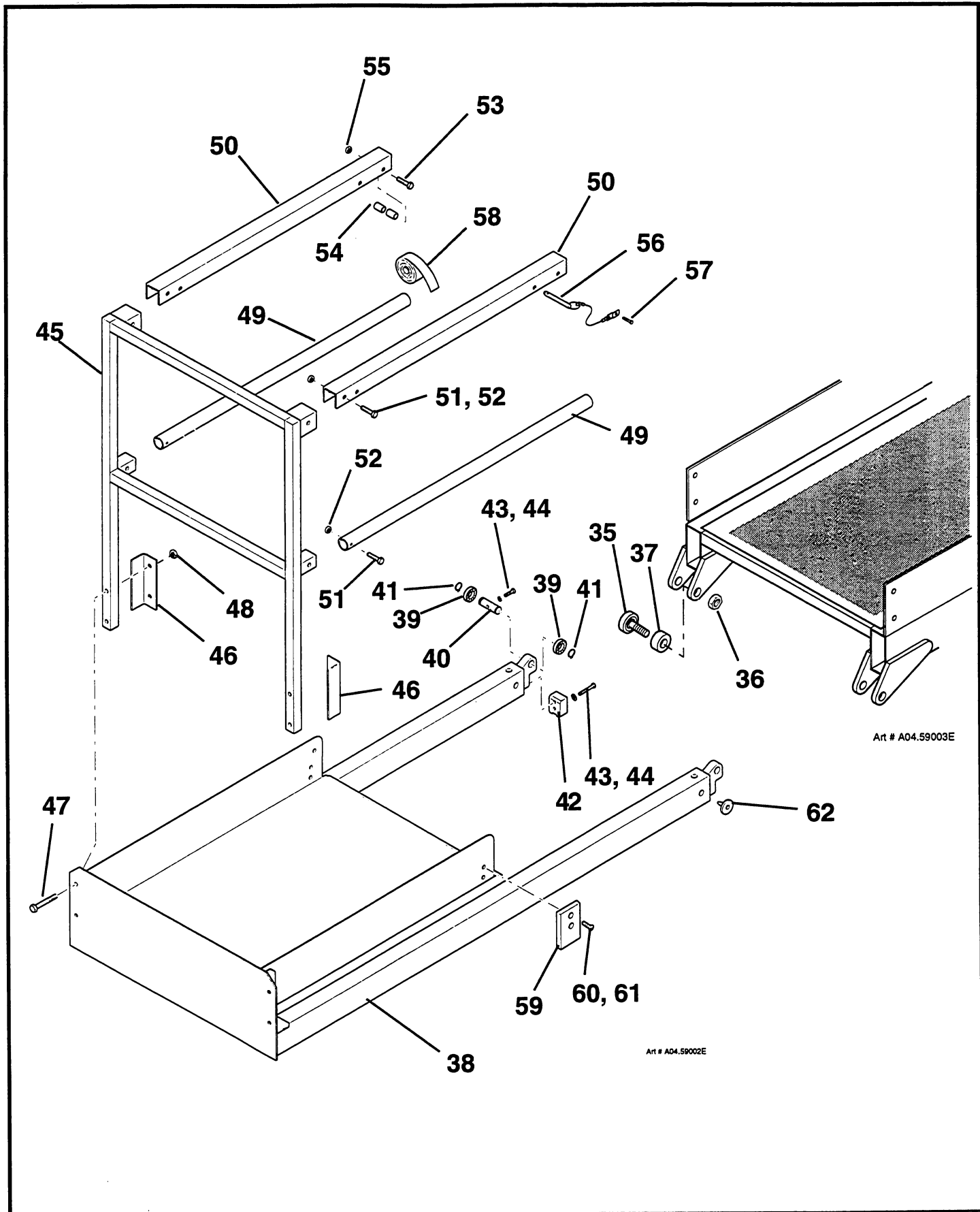
CLICK HERE TO **DOWNLOAD** THE COMPLETE MANUAL

PARTS LIST

ITEM	PART NO	SEE SECTION	DESCRIPTION
96	2224630		PANEL, CONTROL ASSEMBLY REAR (shc
97	07-050016		NUT, LOCK (3/8"-16, Grade 5)
98	07-062016		WASHER, FLAT (3/8")
99	2310060		PLATE, BACK (Left . . . Pump side) (option) (Not shown. Full cover, similar to battery s
100	2310100		PLATE, BACK (Right . . . Battery side) (opti
101	07-003027		CAP SCREW, HEX HEAD (5/16"-18 x 1-1/2
102	07-062015		WASHER, FLAT (5/16")
103	07-050015		NUT, LOCK (5/16"-18, Grade 5)
104			COVER (Right . . . Battery side)
	2314530		for models with access opening for batter
	2315460		for models with locally supplied battery cha
	2309260		for models with optional access door for b
105			COVER (Left . . . Pump side)
	2314550		for models with access opening for contro
	2309300		for models with optional clear door over ce
106	10-158200		LATCH, DRAW (adjustable, with keeper)
107	07-011343		MACHINE SCREW, PAN HEAD (#8-32 x 1/
108	07-050009		NUT, LOCK (#8-32, Grade 5)
109	2310440		HOOK, COVER LATCH
110	2310320		DOOR, VALVE AND HYDRAULIC TANK AC
111	2310330		DOOR, BATTERY ACCESS
112	10-158400		HINGE, EXTERNAL (Black finish, adjustabl
113	07-003001		CAP SCREW, HEX HEAD (1/4"-20 x 1/2", C
114	07-044014		NUT, ACORN (1/4"-20, stainless steel)
115	10-158300		LEVER, LATCH ADJUSTING (Black finish)
116	2310460		DOOR, CHARGER ACCESS (includes hing
117	2311390		DOOR, CONTROL PANEL ACCESS (clear
118	2311400		HINGE, PIANO (stainless steel) (modified)
119	07-012344		MACHINE SCREW, FLAT HEAD (#10-24 x
120	07-011352		MACHINE SCREW, ROUND HEAD (#10-24
121	07-098700		NUT, ACORN (Low crown) (#10-24, stainle
122	10-159200		LATCH, ADJUSTABLE GRIP
123	10-034100		TAPE, MAGNETIC (1" wide, .06" thick) [Bul order as needed. 3" (76 mm) needed this
124	10-096800		TRIM, DOOR EDGE [Bulk item, order as ne 3 Ft (.9 M) needed this application.]
125	11-085800		GASKET, DOOR [Bulk item, order as neede

TITLE UNDERCARRIAGE, (PLATE 4 C

PLATE NO. 01.56 **SIMON AERIALS INC.** NEW 25 JUN., 1993



Art # A04.59003E

Art # A04.59002E

TITLE PLATFORM ASSEMBLY,

(PLATE 2 OF 2)

SIMON AERIALS INC.

NEW 29 JUN., 1993

PART NO.

PLATE NO.

04.59

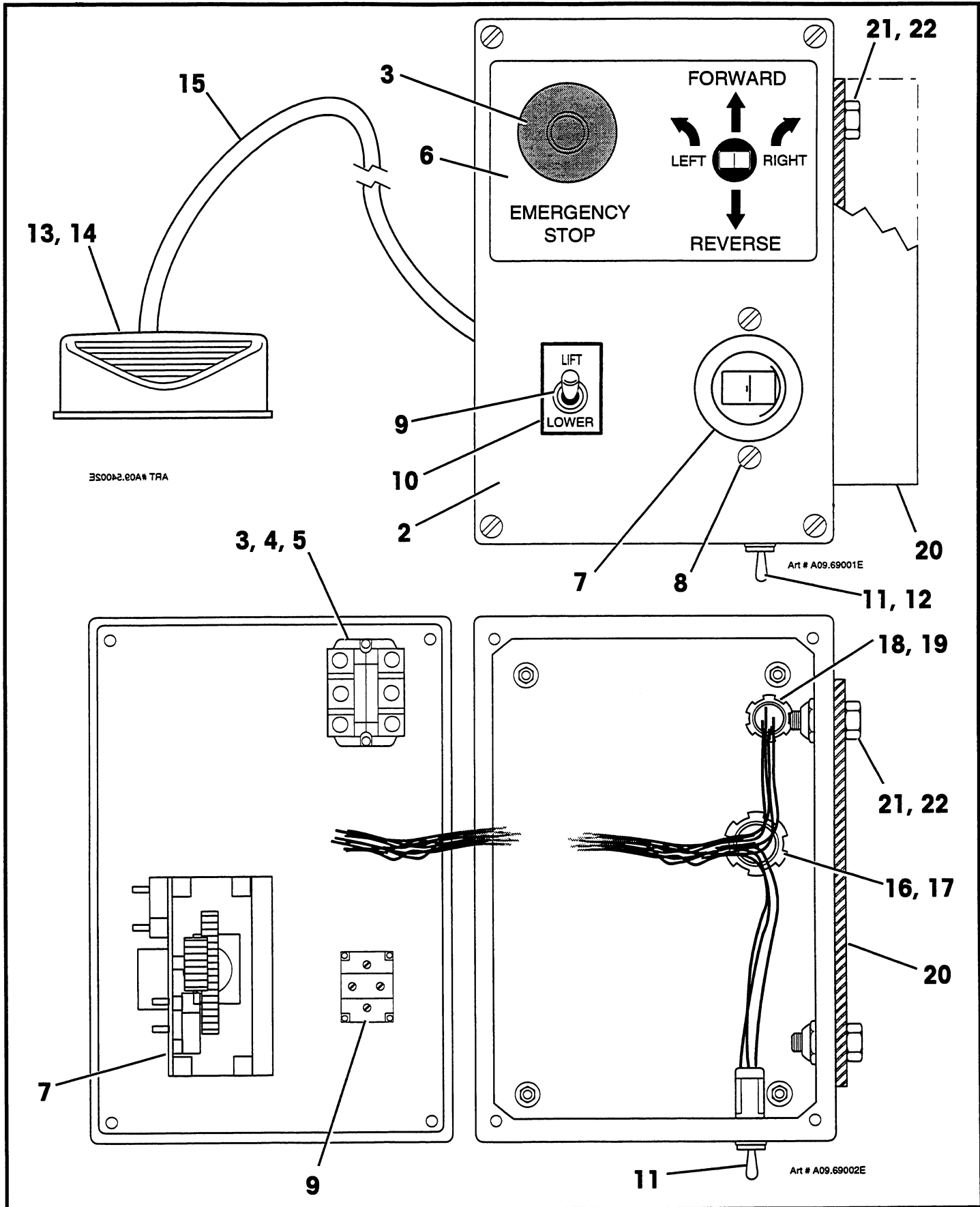
PARTS LIST

ITEM	PART NO	SEE SECTION	DESCRIPTION	QTY.
17	03-479300		ALARM, TILT (60 to 80 db)	1
18	03-700400		GRIP, CORD (1/2", .236" to .472" dia.)	1
19	03-055500		NUT, CONDUIT LOCK (1/2")	1
20	03-700500		GRIP, CORD (3/4", with .55 to .71" dia. seal)	1
21	03-055600		NUT, CONDUIT LOCK (3/4")	1
22	03-085200		CABLE, ELECTRICAL (SJO, 2 conductor, #16 AWG)	
			(Bulk item, order as needed. 5-1/2 ft [1.7 m] required here)	A.R.
23	03-700700		SWITCH, FOOT OPERATED	1
24	03-465602		MICROSWITCH	1
25	03-612300		GUARD, FOOT SWITCH (Option. Includes hardware)	1
26	07-008354		CAP SCREW, SOCKET HEAD (#10-24 x 1-1/4")	4
27			NUT, HEX (#10-24)	4
28	07-062011		WASHER (#10)	4
29	216 1460		BRACKET, CONTROL CONSOLE (optional with Item 30)	2
30	222 4490		BRACKET, CONTROL CONSOLE (optional with Item 29)	1
31	11-082100		PIN, HITCH (5/16" x 2-1/2", with 6" lanyard)	1
32	07-008354		CAP SCREW, SOCKET HEAD (#10-24 x 1-1/4", Grade 8) (for "two piece" mounting brackets 216 1460)	4
33	07-050011		NUT, LOCK (#10-24, Grade 2) (for bracket 216 1460)	4
34	07-062011		WASHER, FLAT (#10) (for bracket 216 1460)	8
35	07-003006		CAP SCREW, HEX HEAD (1/4"-20 x 1-1/4", Grade 8) (for "one piece" mounting bracket 222 4490)	2
36	07-050014		NUT, LOCK (1/4"-20, Grade 5) (for bracket 222 4490)	2
37	07-060014		WASHER, FLAT (1/4") (for bracket 222 4490)	4
38	10-161900		TAPE, POLYETHYLENE (Pressure sensitive, 1-1/8" wide) (Bulk item, order as needed)	A.R.

TITLE PLATFORM CONTROL ASSEMBLY,					
SECTION	09.	PLATE NO.	60	PAGE	02
REV.	-	DATED	22 NOV., 1993	PART NO.	353 4710



Simon Aerials Inc.
 10600 West Brown Deer Road
 Milwaukee Wisconsin 53224 USA
 Parts Phone 1-800-47-SIMON
 24 Hr (Machine) 414-362-8280
 Fax 414-355-3172



Simon Aerials Inc.
 10600 West Brown Deer Road
 Milwaukee Wisconsin 53224 USA
 Parts Phone 1-800-47-SIMON
 24 Hr (Machine) 414-362-8280
 Fax 414-355-3172

TITLE		PLATFORM CONTROL BOX (OPTIONAL) ,			
PART NO.	354 7930	REV.	DATED	SECTION	PLATE NO.
		-	04 JUN., 1996	09.	69
					PAGE 01

PARTS LIST

ITEM	PART NO	SEE SECTION	DESCRIPTION	QTY.
	01-225800		MANIFOLD VALVE ASSEMBLY Models with lift cylinder velocity fuse (U.S. and Canada)	1
	01-214000		Models with holding valve (all except U.S. and Canada)	1
1			BLOCK, VALVE	1
2	01-097504		VALVE, HIGH SPEED (V8) (2 way, normally open)	1
3	01-097516		SEAL KIT, VALVE	1
4			CARTRIDGE, SOLENOID VALVE (V9) 2 way, normally closed (includes screen)	
	01-225801		Lower valve for models with velocity fuse (U.S., Canada)	1
	01-214001		Lift valve for models with holding valve (e/ U.S., Canada)	1
5	01-097516		SEAL KIT, VALVE	1
6	01-097520		SCREEN (100 mesh)	1
7	01-097513		DISC, ORIFICE (ORF2) [.047" (1.194 mm)]	1
8	01-221700		VALVE, SEQUENCE (V10) (2500 PSI) (172 Bar) (175.8 kg/ cm ²)	1
9	01-097517		SEAL KIT, SEQUENCE VALVE	1
10	01-097519		VALVE, CHECK (CV1, CV2, CV3, CV4) (10 PSI) (.69 Bar) (.703 kg/ cm ²)	4
11	01-097516		SEAL KIT, VALVE	4
12	01-097510		VALVE, BRAKE RELEASE SHUTTLE (CV5)	1
13	01-097517		SEAL KIT, BRAKE RELEASE SHUTTLE	1
14	01-097509		VALVE, MAIN RELIEF (RV1) (2600 PSI) (179 Bar) (182.8 kg/ cm ²)	1
15	01-097516		SEAL KIT, VALVE	1
16	01-097501		VALVE, STEER (V1) (4 way, 3 position)	1
17	01-097515		SEAL KIT, STEER VALVE	1
18	01-097503		COIL, STEER VALVE SOLENOID (S1 and S2) (24 V DC)	2
19	01-097504		VALVE, STEERING BYPASS (V6) (2 way, normally open)	1
20	01-097516		SEAL KIT, VALVE	1
21	01-097512		VALVE, COUNTERBALANCE (V2 and V3) (2000 PSI) (138 Bar) (140.6 kg/ cm ²)	2
22	01-097517		SEAL KIT, COUNTERBALANCE VALVE	2
23	01-097502		VALVE, DRIVE (V4) (4 way, 3 position)	1
24	01-097515		SEAL KIT, DRIVE VALVE	1
25	01-097503		COIL, DRIVE VALVE SOLENOID (S3 and S4) (24 V DC)	2
26	01-097511		ORIFICE, BRAKE RELEASE (ORF1)	1
27	01-097518		SEAL KIT, BRAKE RELEASE ORIFICE	1
28	01-097505		VALVE, LIFT (V7) (2 way, normally closed)	1
29	01-097516		SEAL KIT, VALVE	1
30	01-097507		COIL, SOLENOID (24 Volt DC)	4

TITLE MANIFOLD VALVE ASSEMBLY,

(PLATE 1 OF 2)

PLATE NO. 23.54

SIMON AERIALS INC.

NEW 22 APR., 1993

PART NO. 01-214000

CLICK HERE TO **DOWNLOAD** THE COMPLETE MANUAL

- Thank you very much for reading the preview of the manual.
- You can download the complete manual from: www.heydownloads.com by clicking the link below



- Please note: If there is no response to CLICKING the link, please download this PDF first and then click on it.

CLICK HERE TO **DOWNLOAD** THE COMPLETE MANUAL