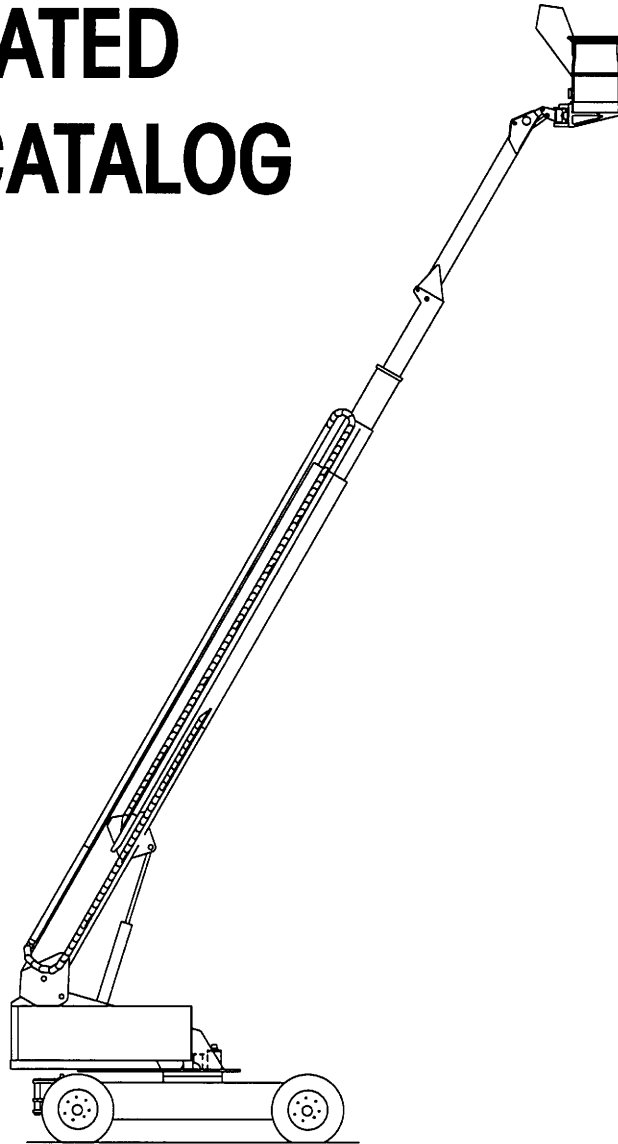


RP 120 "Reach Plus"

ILLUSTRATED PARTS CATALOG

FOR MACHINE
SERIAL NUMBER



Part No. 89-126005 • Revision "0.3" dated Apr. 1996 •

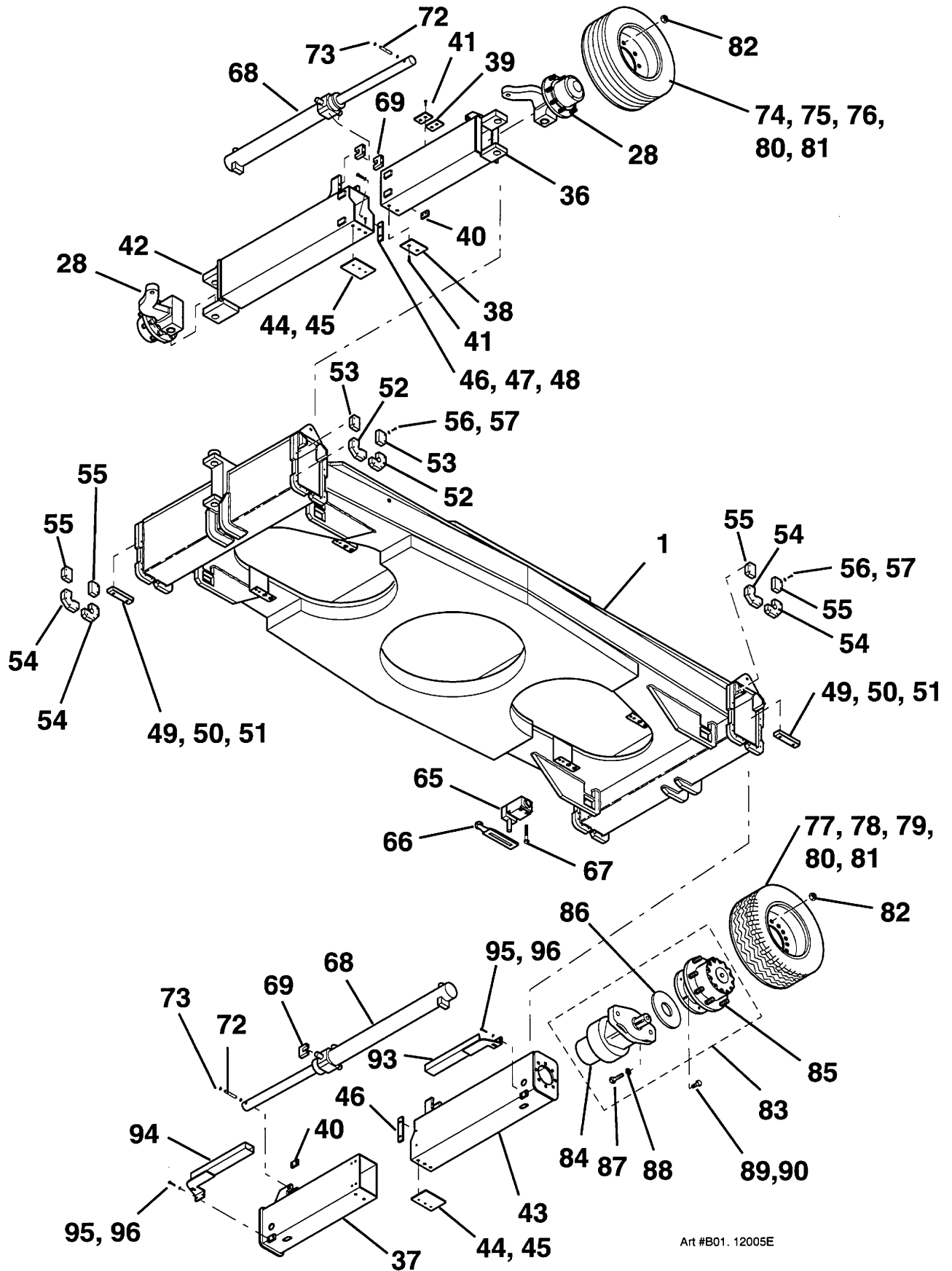
CLICK HERE TO **DOWNLOAD** THE COMPLETE MANUAL

- Thank you very much for reading the preview of the manual.
- You can download the complete manual from: www.heydownloads.com by clicking the link below



- Please note: If there is no response to CLICKING the link, please download this PDF first and then click on it.

CLICK HERE TO **DOWNLOAD** THE COMPLETE MANUAL



Art #B01. 12005E

TITLE UNDERCARRIAGE ASSEMBLY (2WD) (PLATE 3 OF 5)

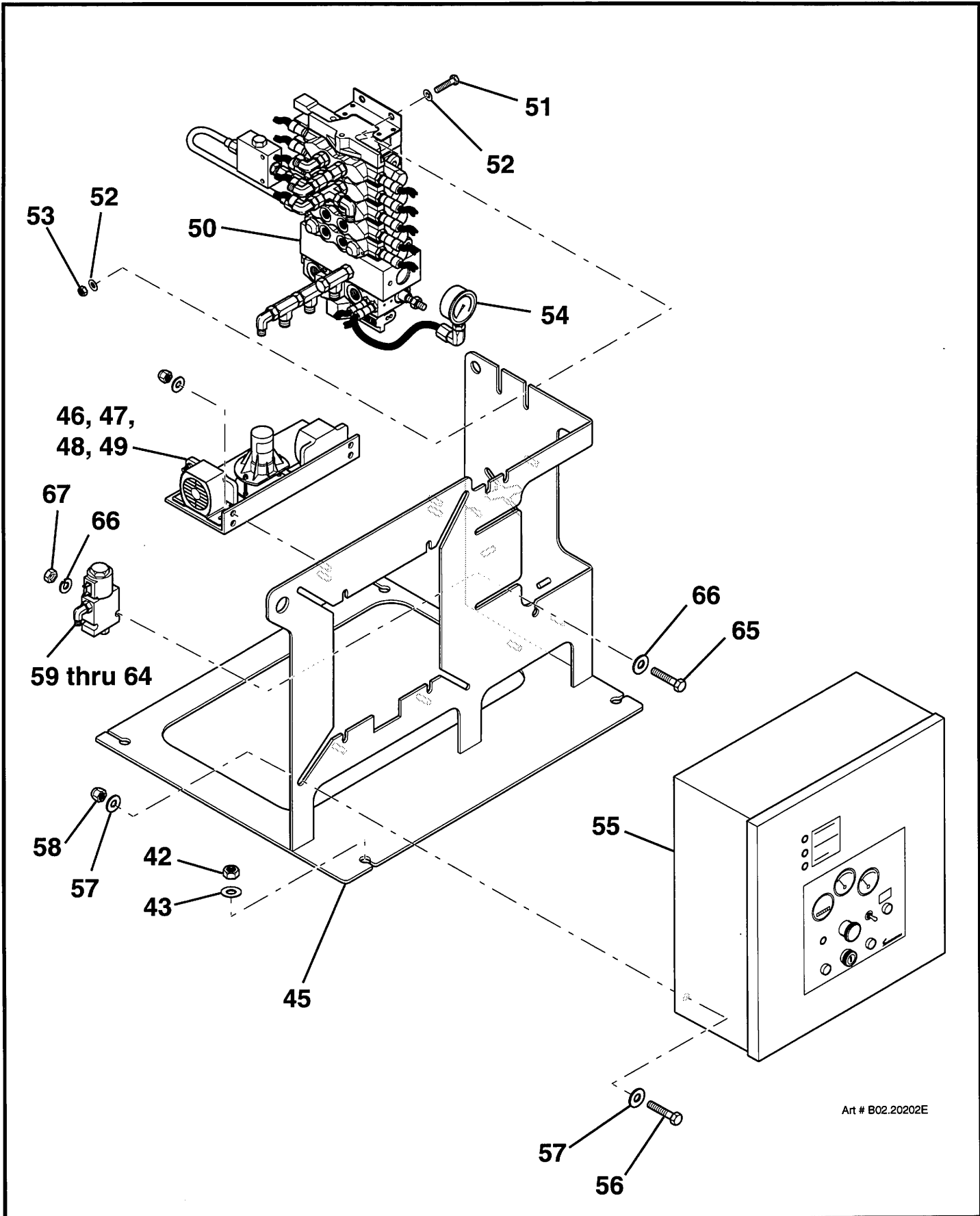
SIMON AERIALS INC.

REV. 13 MAR., 1995

PART NO.

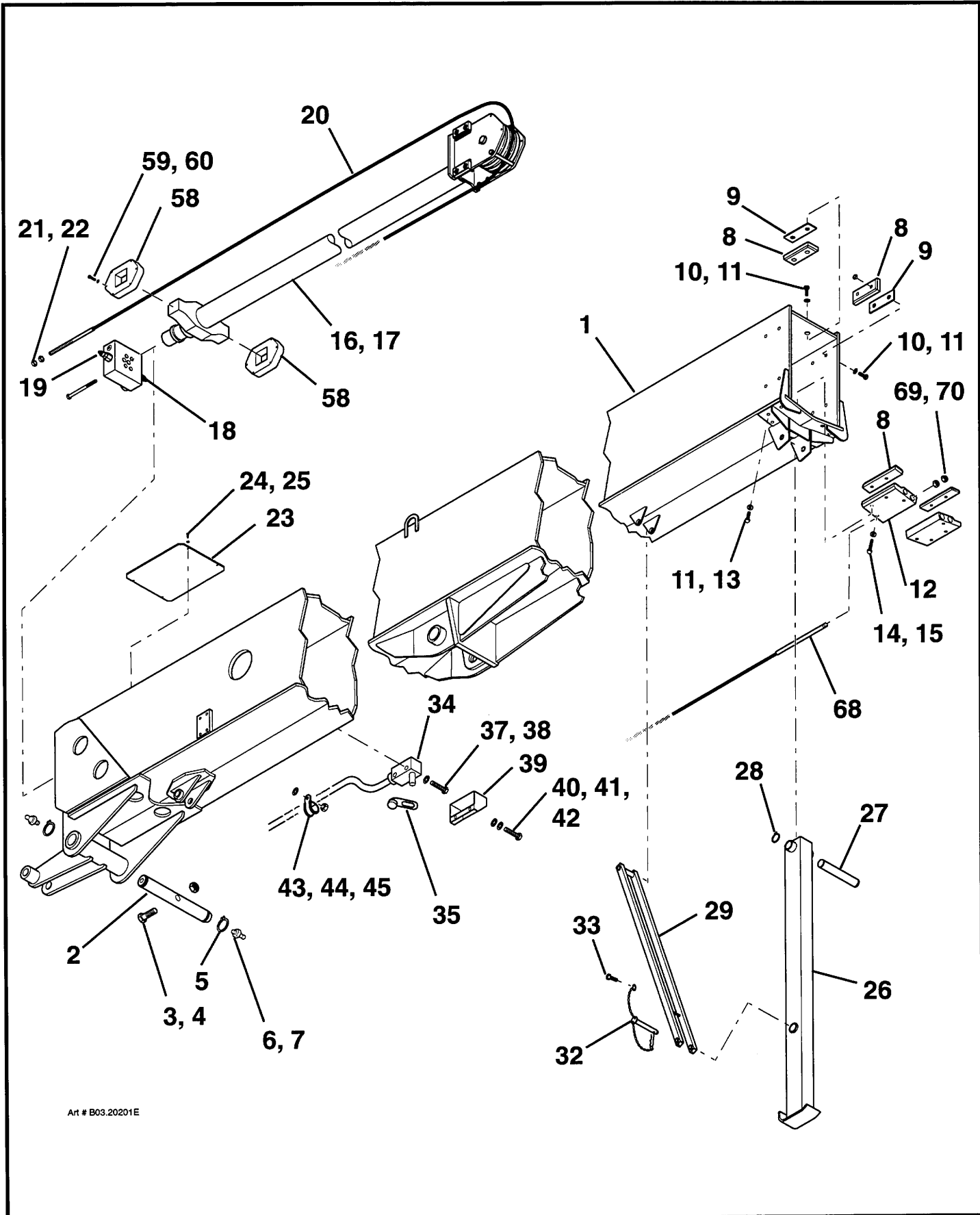
PLATE NO.

B01.12



Art # B02.20202E

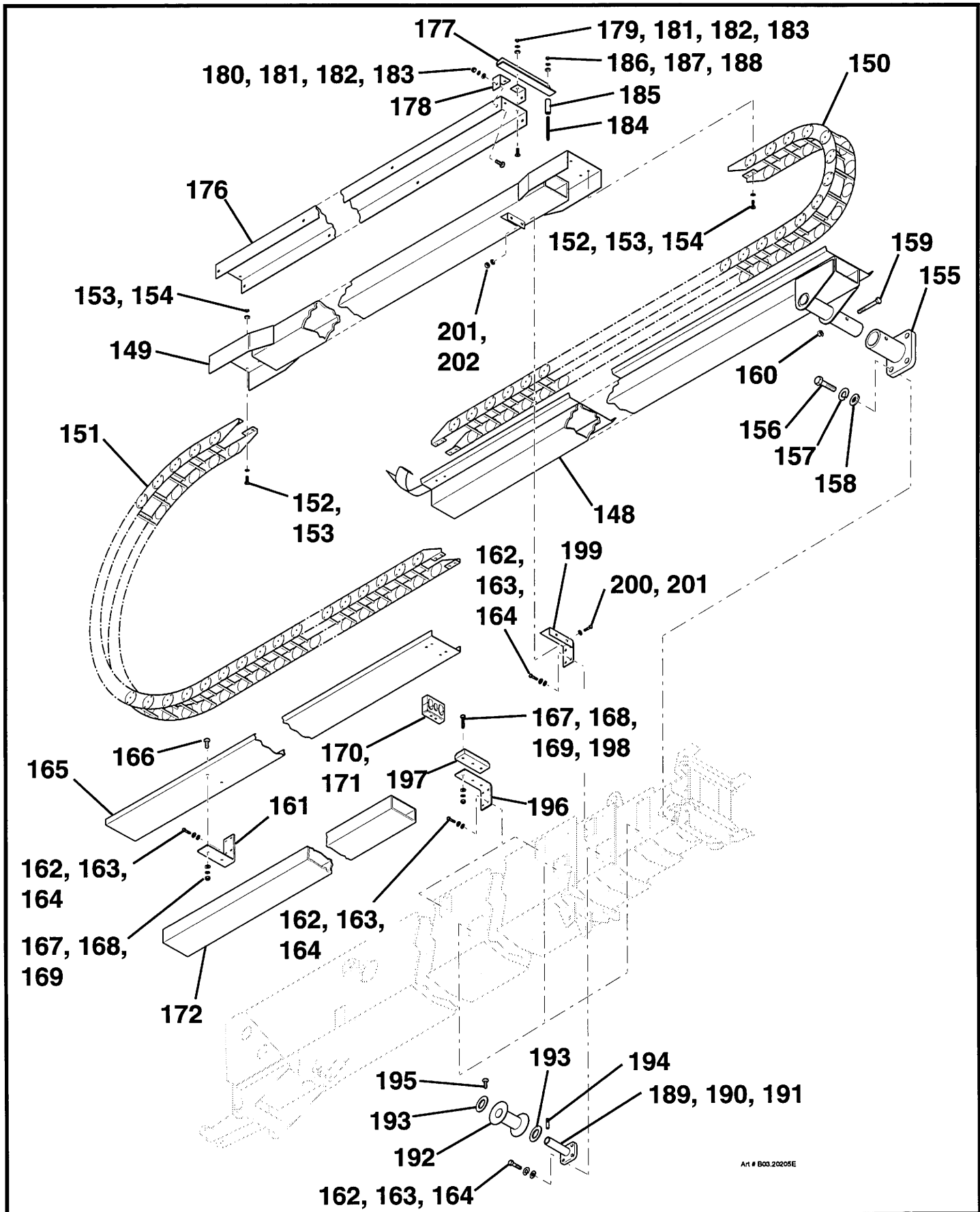
TITLE	SUPERSTRUCTURE ASSEMBLY, RP 120 (PLATE 2 OF 6)		
SIMON AERIALS INC.	NEW 04 AUG., 1994	PART NO.	PLATE NO. B02.202



Art # B03.20201E

TITLE BOOM ASSEMBLY, RP 120 (PLATE 1 OF 10, BASE BOOM)

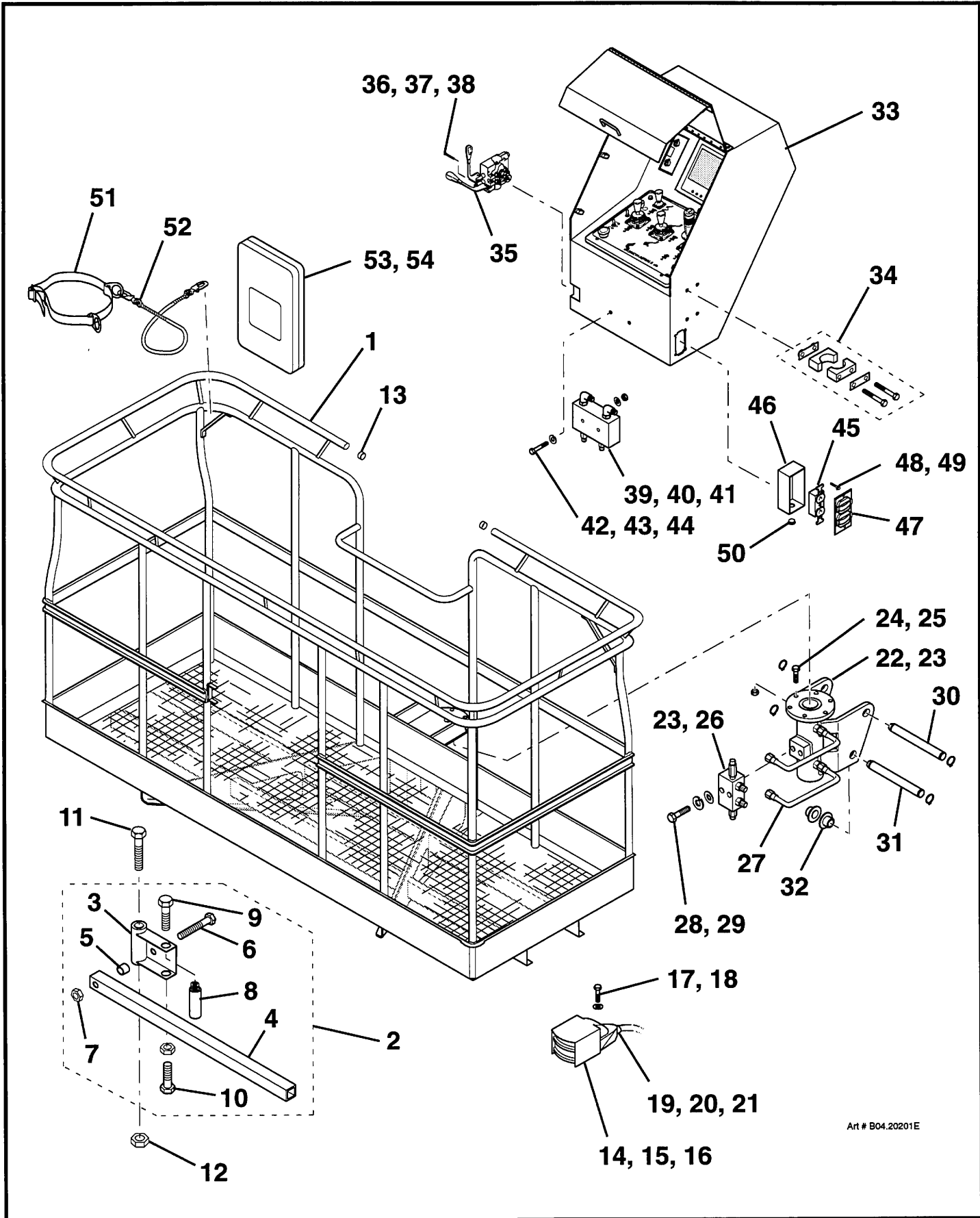
SIMON AERIALS INC.	NEW 04 AUG., 1994	PART NO.	PLATE NO. B03.202
---------------------------	-------------------	----------	--------------------------



Art # B03.20205E

TITLE BOOM ASSEMBLY, RP 120 (PLATE 6 OF 10, CATRAC)

SIMON AERIALS INC. NEW 04 AUG., 1994	PART NO.	PLATE NO. B03.202
--	----------	--------------------------



Art # B04.20201E

TITLE

PLATFORM ASSEMBLY, RP 120 (PLATE 1 OF 2)

SIMON AERIALS INC.

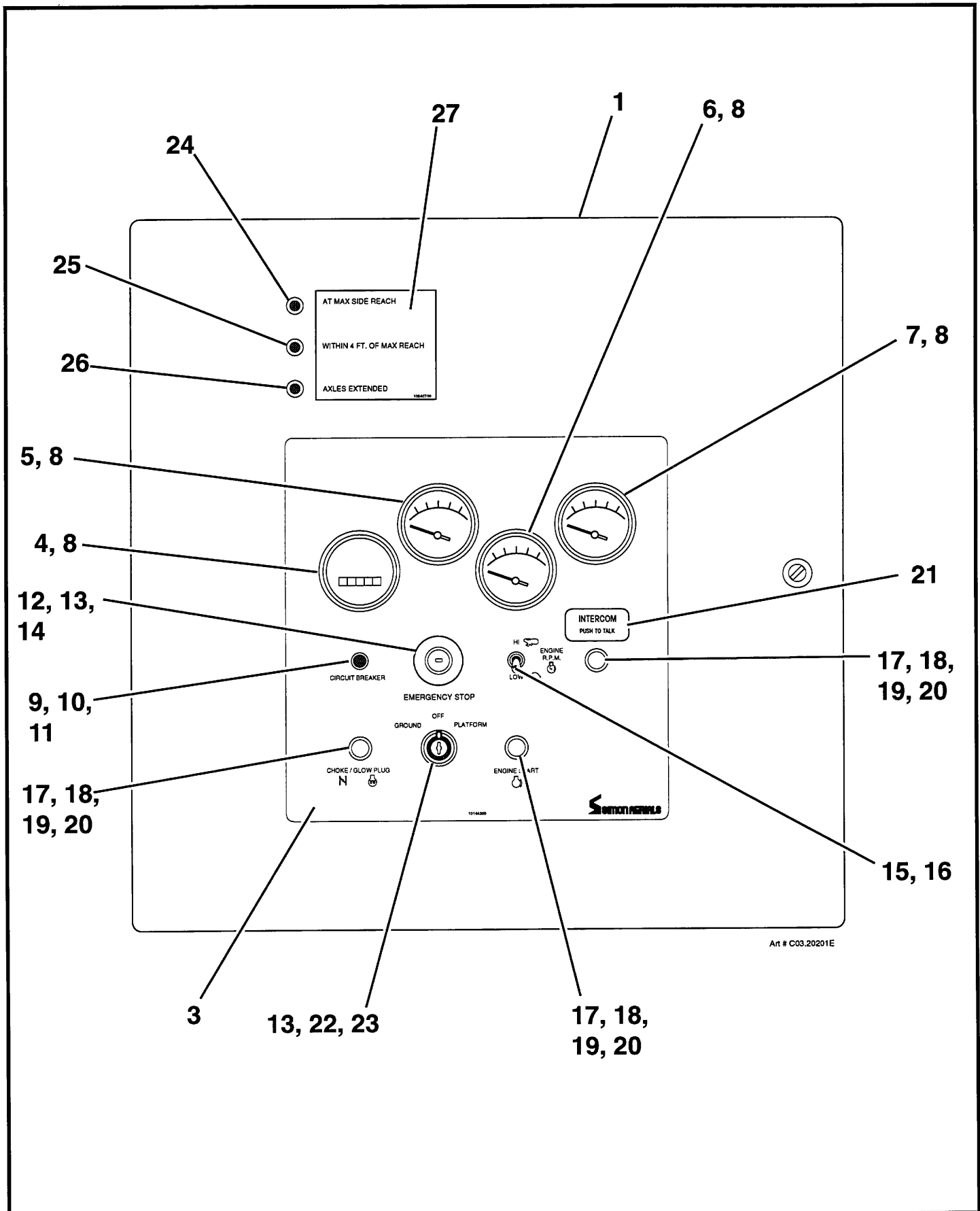
NEW 24 JUN., 1994

PART NO.

3537520

PLATE NO.

B04.202



TITLE GROUND CONTROL BOX ASSEMBLY, RP 120 (PLATE 1 OF 3)

SIMON AERIALS INC.

NEW 24 MAY, 1994

PART NO. 3538360

PLATE NO. C03.202

**THE ILLUSTRATION FOR
THIS ENGINE IS NOT
AVAILABLE AT THIS TIME**

TITLE

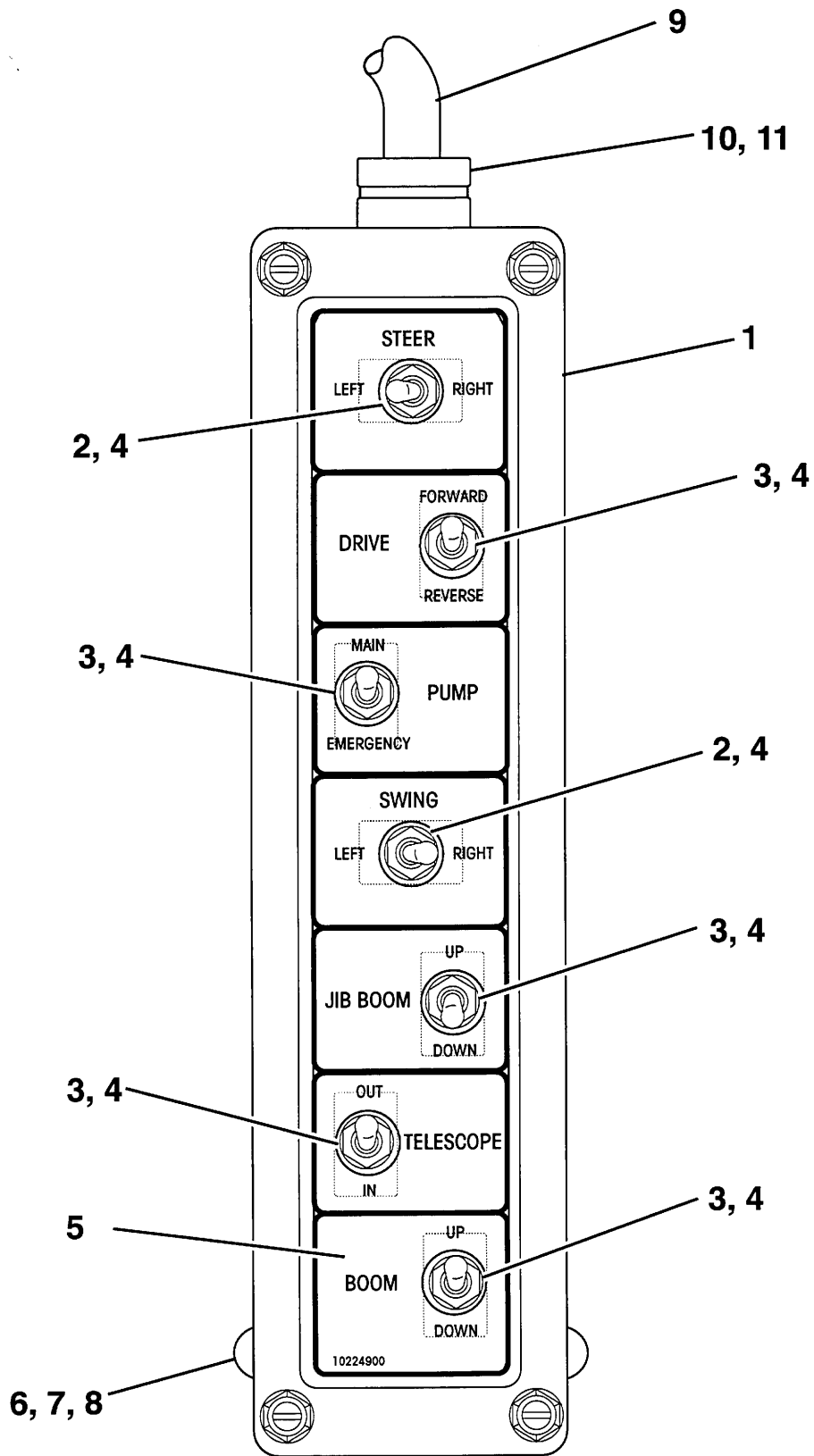
ENGINE ASSEMBLY, ISUZU 4 BD1 (PLATE 3 OF 3)

SIMON AERIALS INC.

NEW 04 AUG., 1994

**PART
NO.**

**PLATE
NO. C04.35**



ART # C06.20101E

TITLE

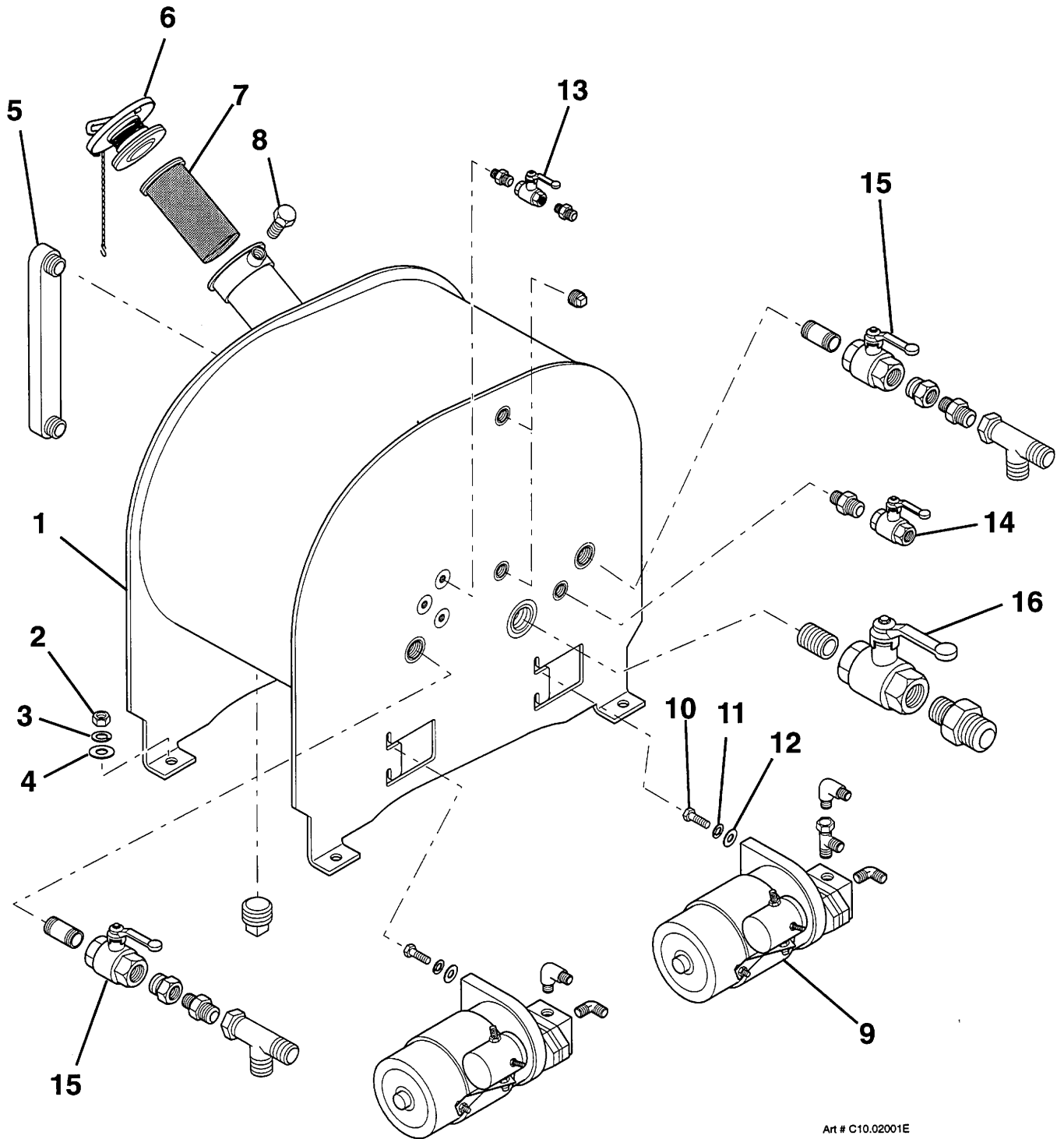
PENDANT ASSEMBLY, REMOTE CONTROL

SIMON AERIALS INC.

NEW 24 MAY, 1994

PART NO. 3537540

PLATE NO. C06.201



Art # C10.02001E

TITLE HYDRAULIC TANK ASSEMBLY, MP/ RP (WITH EXTENDABLE AXLES)

SIMON AERIALS INC.

REV. 20 JUN., 1994

PART NO.

PLATE NO. C10.02

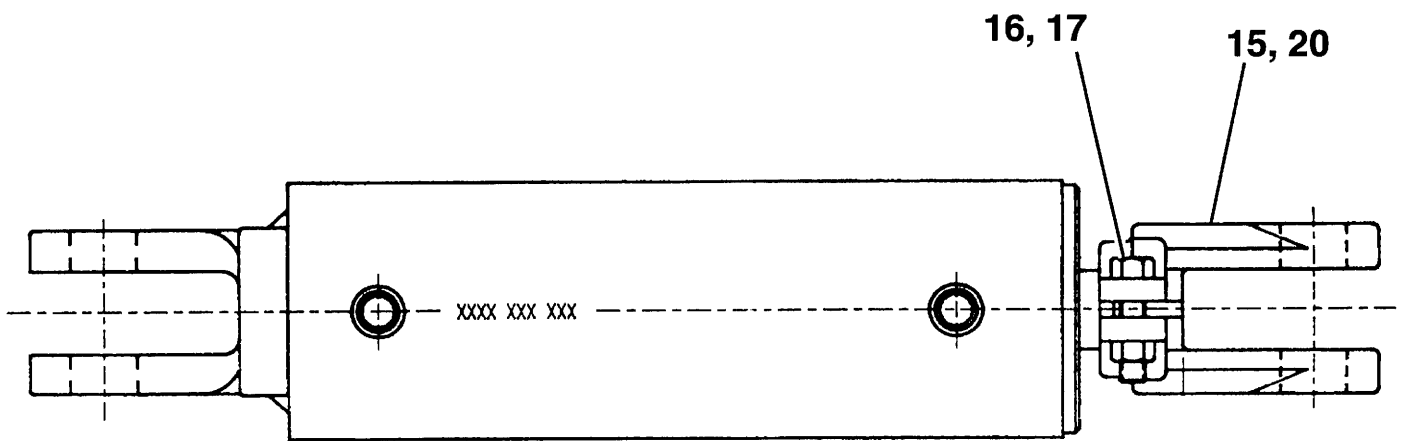
CLICK HERE TO **DOWNLOAD** THE COMPLETE MANUAL

- Thank you very much for reading the preview of the manual.
- You can download the complete manual from: www.heydownloads.com by clicking the link below

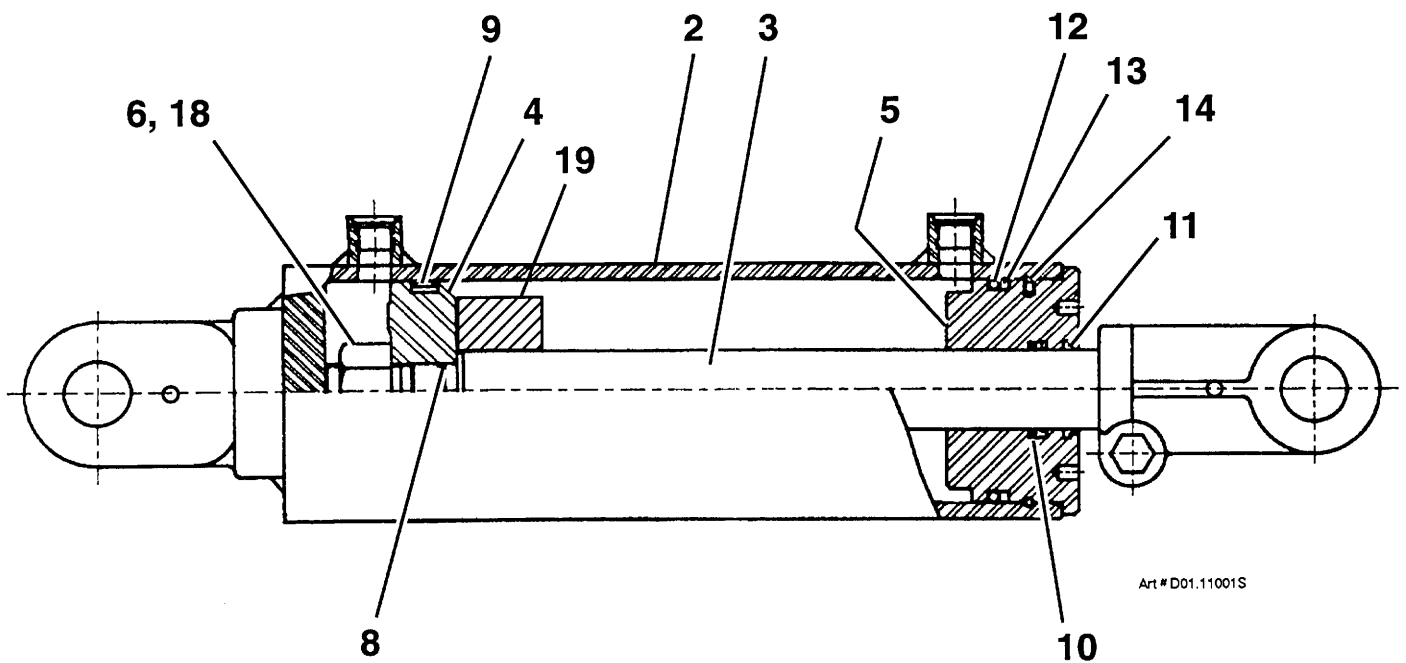


- Please note: If there is no response to CLICKING the link, please download this PDF first and then click on it.

CLICK HERE TO **DOWNLOAD** THE COMPLETE MANUAL



Art # D01.11002S



Art # D01.11001S

TITLE

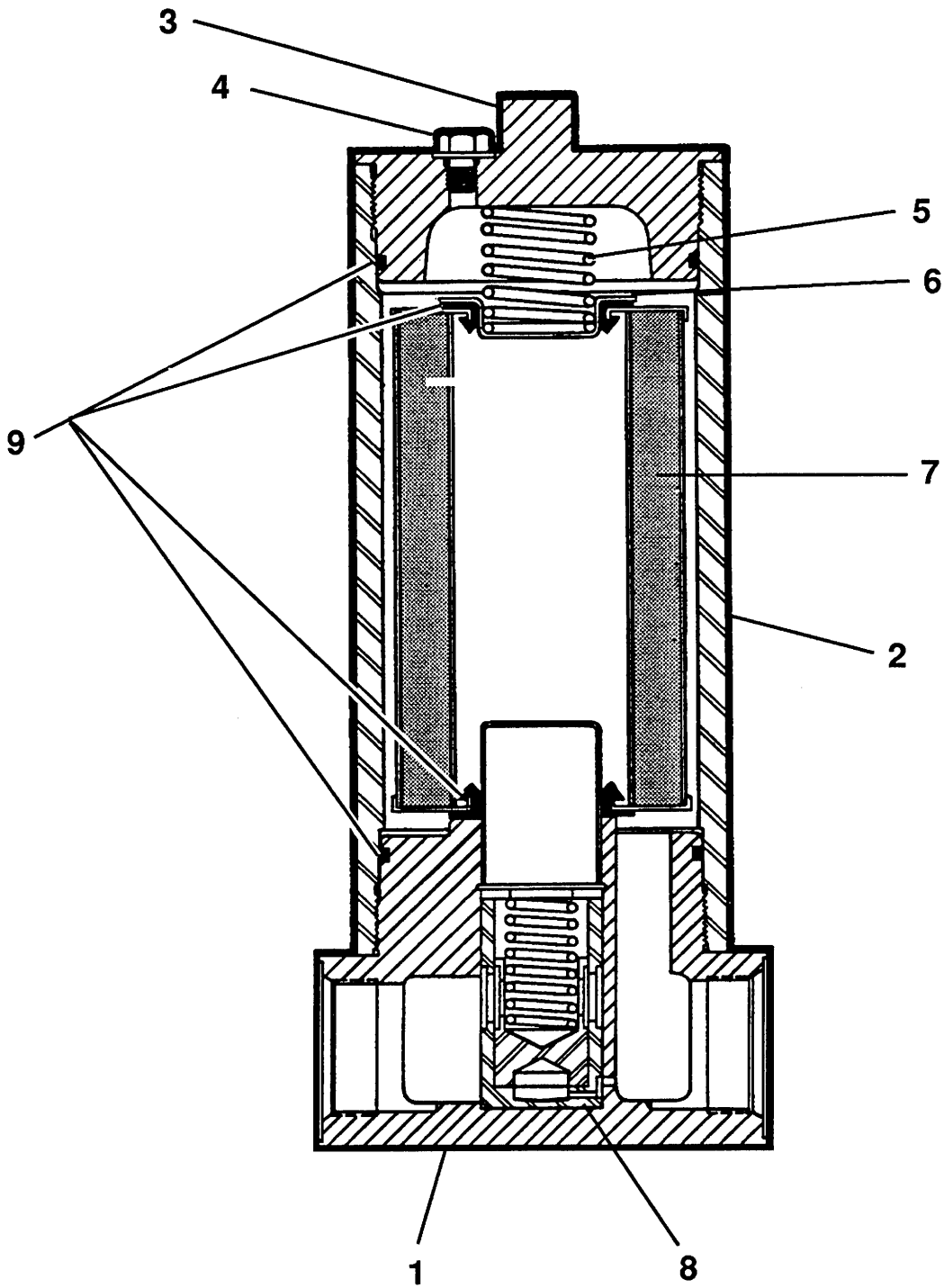
STEER CYLINDER

SIMON AERIALS INC.

REV. 15 JUN., 1994

PART NO. 04-035300

PLATE NO. D01.11



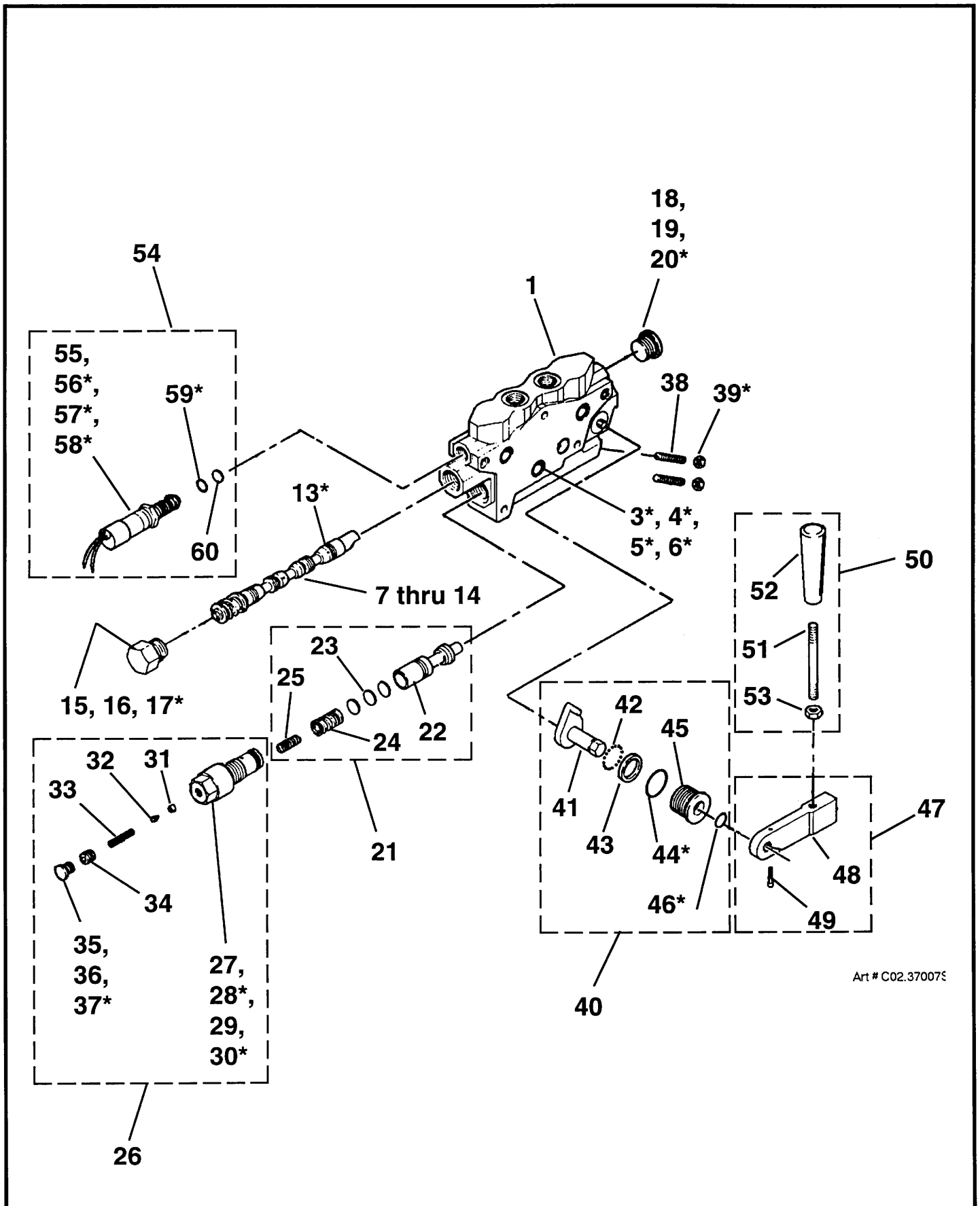
TITLE HIGH PRESSURE FILTER

SIMON AERIALS INC.

REV. 06/25/91

PART NO. 01-014000

PLATE NO. D11.03



Art # C02.370075

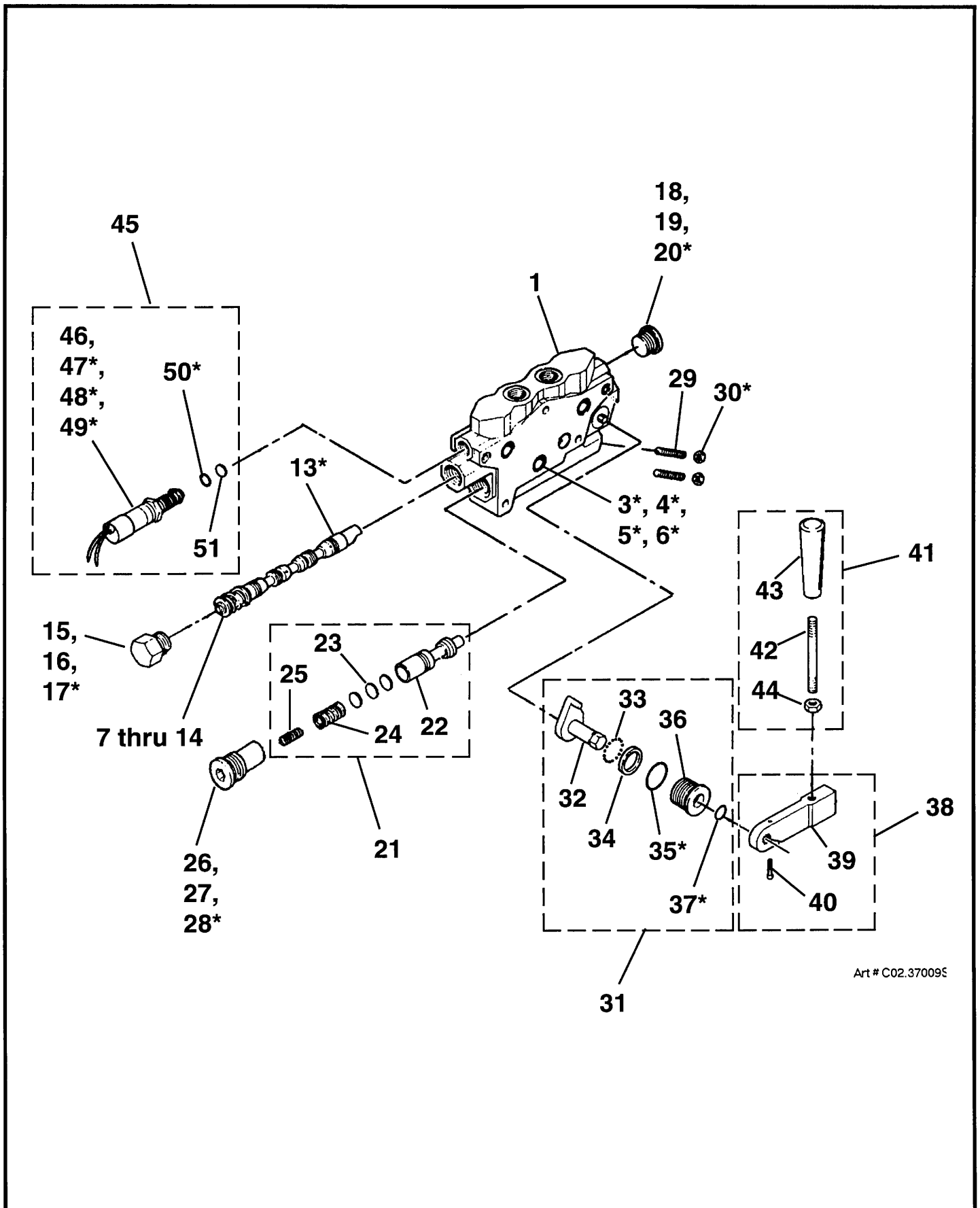
TITLE TELESCOPE VALVE, MP/ RP (ELECTRO-PROPORTIONAL, TYPE 2) (2 OF 3)

SIMON AERIALS INC.

REV. 26 JUL., 1994

PART NO.

PLATE NO. **D13.07**



Art # C02.370095

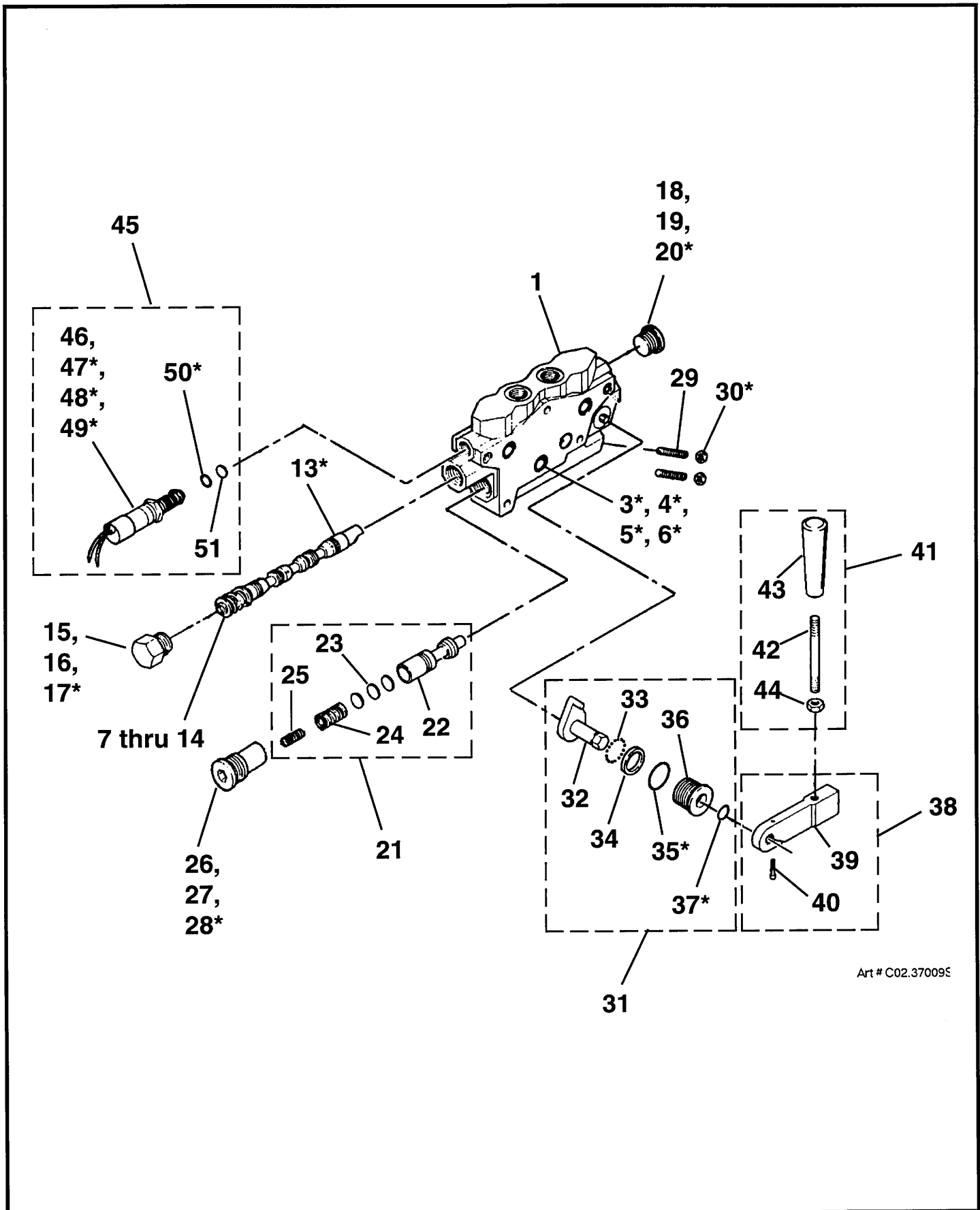
TITLE BOOM VALVE, MP/ RP (ELECTRO-PROPORTIONAL, TYPE 2) (1 OF 3)

SIMON AERIALS INC.

REV. 26 JUL., 1994

PART NO.

PLATE NO. D13.09



Art # C02.37009S

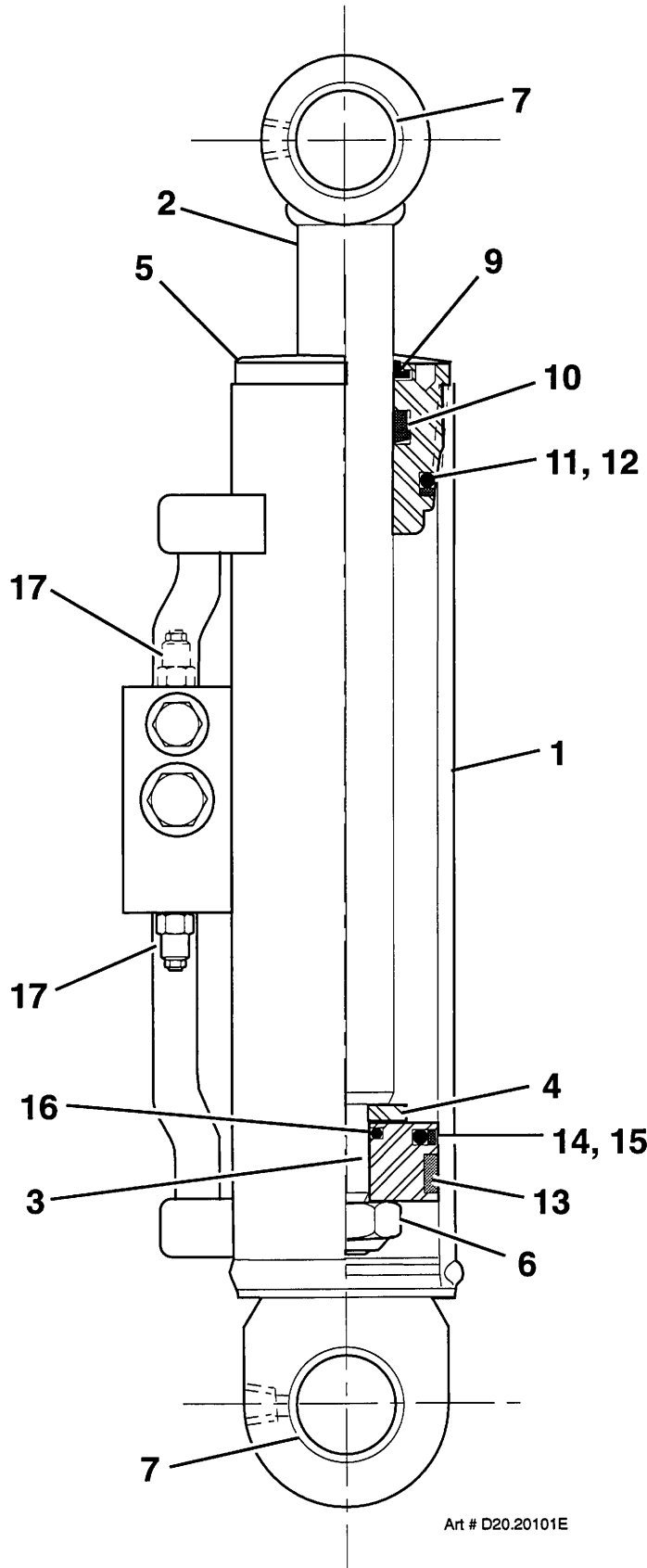
TITLE SWING VALVE, MP/ RP (ELECTRO-PROPORTIONAL, TYPE 2) (3 OF 3)

SIMON AERIALS INC.

REV. 26 JUL., 1994

PART NO.

PLATE NO. D13.10



Art # D20.20101E

TITLE

SLAVE LEVEL CYLINDER, 7" (17.8 CM) STROKE

SIMON AERIALS INC.

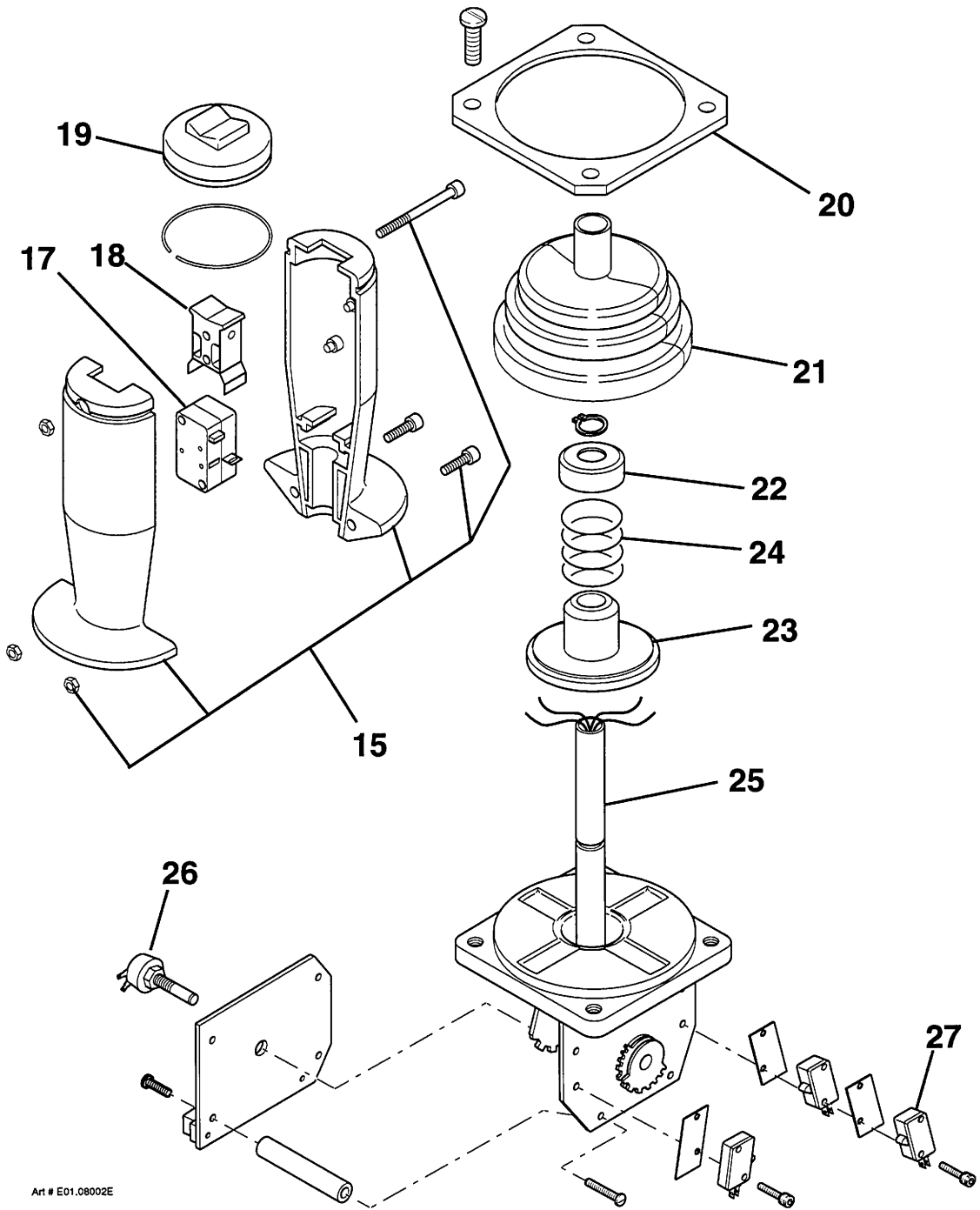
NEW 22 JUN., 1994

PART NO.

04-039000

PLATE NO.

D20.201



Art # E01.08002E

**Earlier type
Drive/ Steer
Controller**

TITLE DRIVE/ STEER CONTROLLER, MP ELECTRO-PROPORTIONAL, TYPE 2

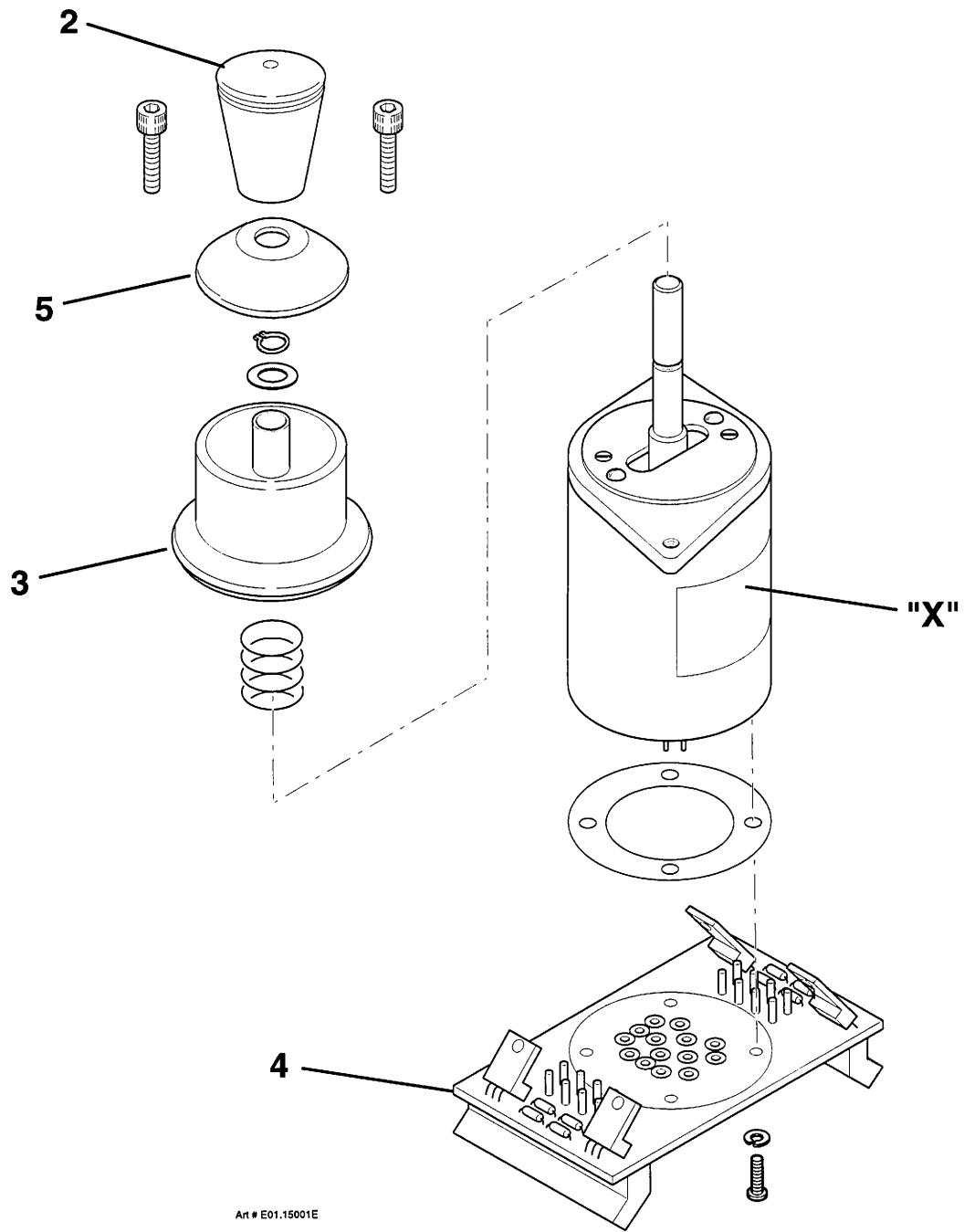
SIMON AERIALS INC.

REV. 08 AUG., 1994

**PART
NO.**

**PLATE
NO.**

E01.08



Art # E01.15001E

TITLE

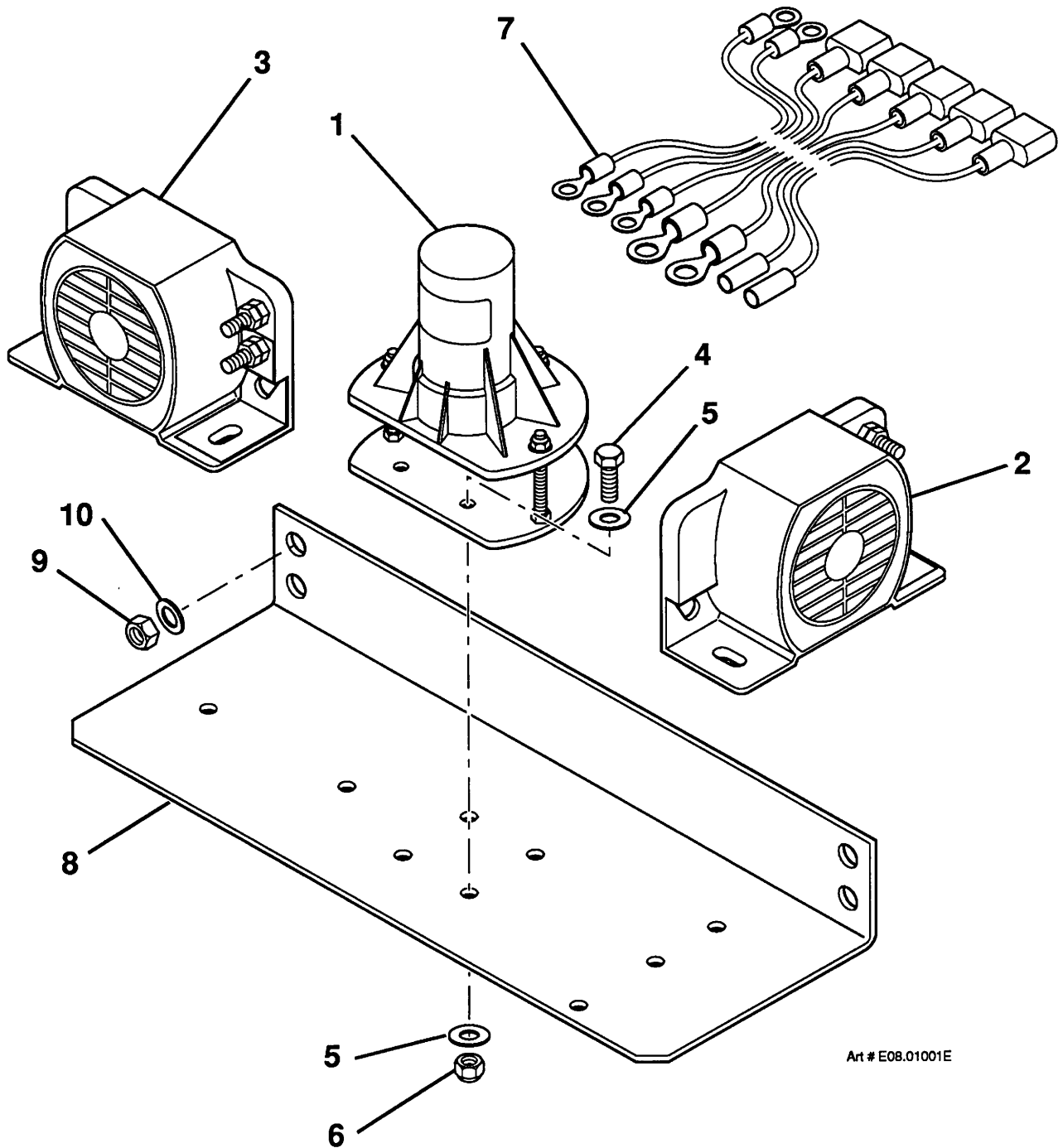
"MINI" JIB BOOM CONTROLLER, RP SERIES

SIMON AERIALS INC.

NEW 14 JUL., 1994

PART NO. 03-704700

PLATE NO. E01.15



Art # E08.01001E

TITLE ALARM PACKAGE ASSEMBLY, MP

SIMON AERIALS INC.

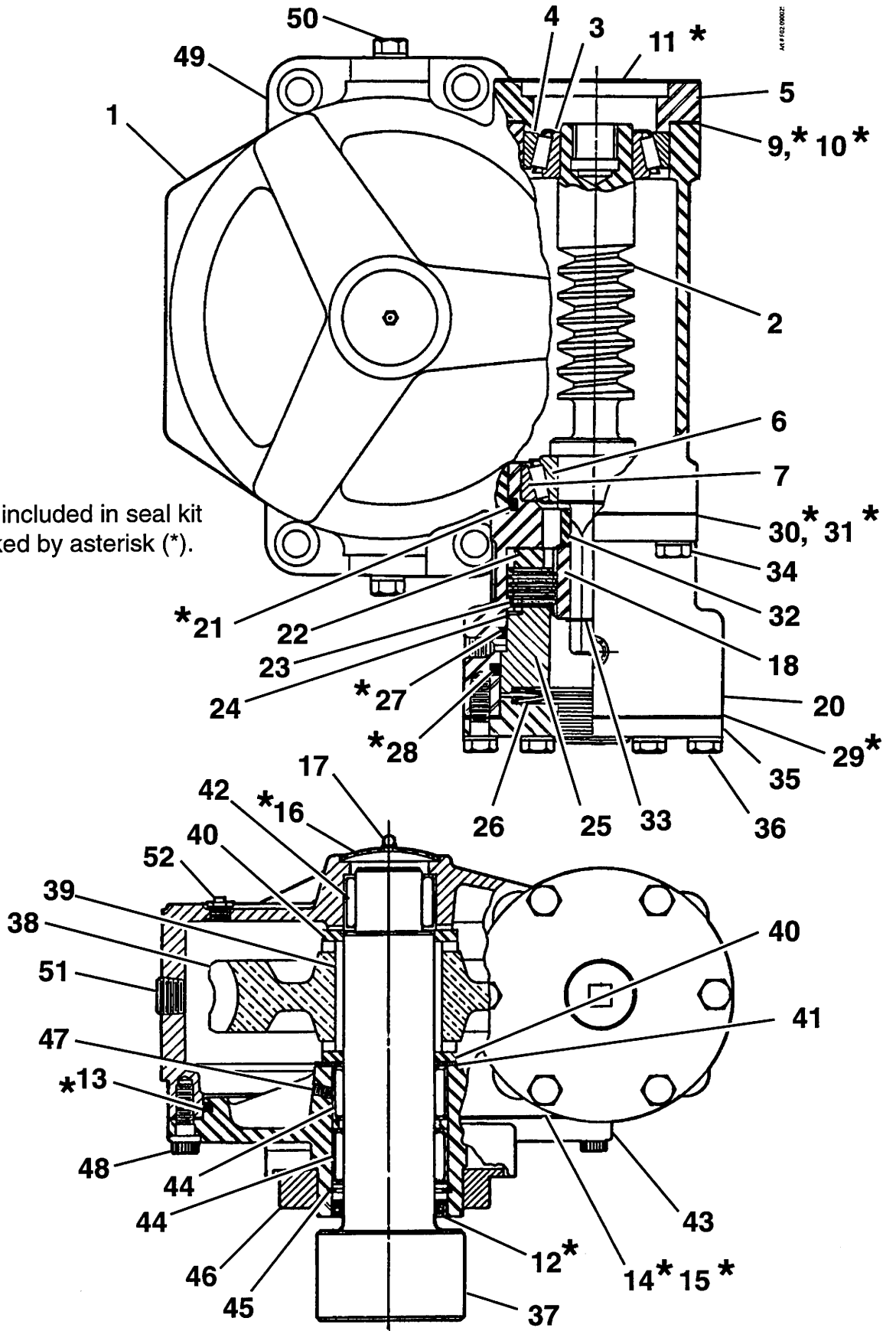
NEW 03/11/91

PART NO. 3505326

PLATE NO. E08.01

Top view

Note: Items included in seal kit (item 8) marked by asterisk (*).



Side view

TITLE

SWING REDUCER (PLATE 2 OF 2)

AT # F02 09015

SIMON AERIALS INC.

REV. 25 AUG., 1994

PART NO.

02-009100

PLATE NO.

F02.09

CLICK HERE TO **DOWNLOAD** THE COMPLETE MANUAL

- Thank you very much for reading the preview of the manual.
- You can download the complete manual from: www.heydownloads.com by clicking the link below



- Please note: If there is no response to CLICKING the link, please download this PDF first and then click on it.

CLICK HERE TO **DOWNLOAD** THE COMPLETE MANUAL