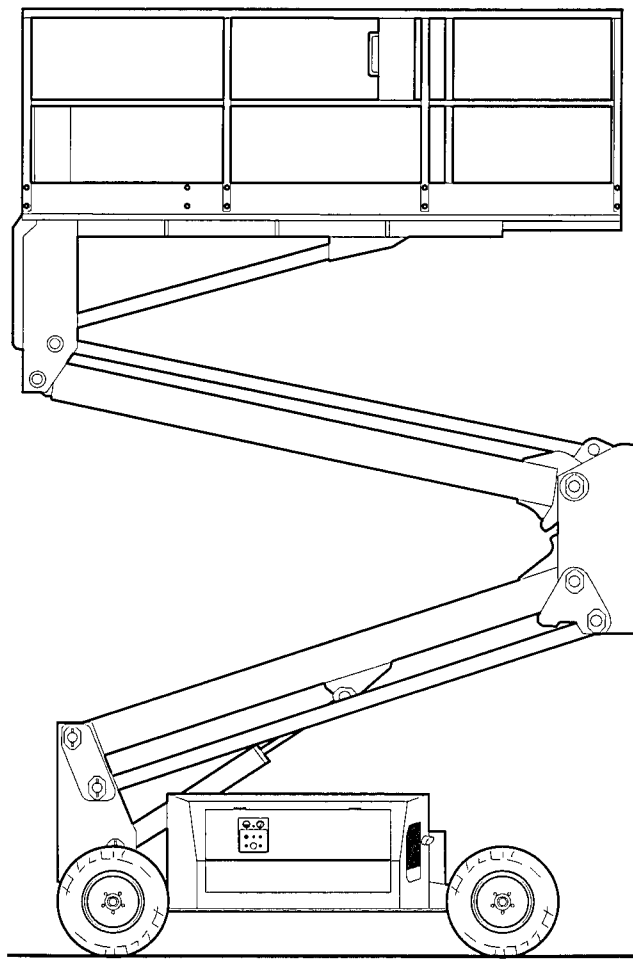


**FALCON**  
**2570 RT**

**ILLUSTRATED**  
**PARTS CATALOG**

FOR MACHINE  
SERIAL NUMBER

\_\_\_\_\_



Part No. 89-757005 • Revision "0.2", dated Oct. 1993 •

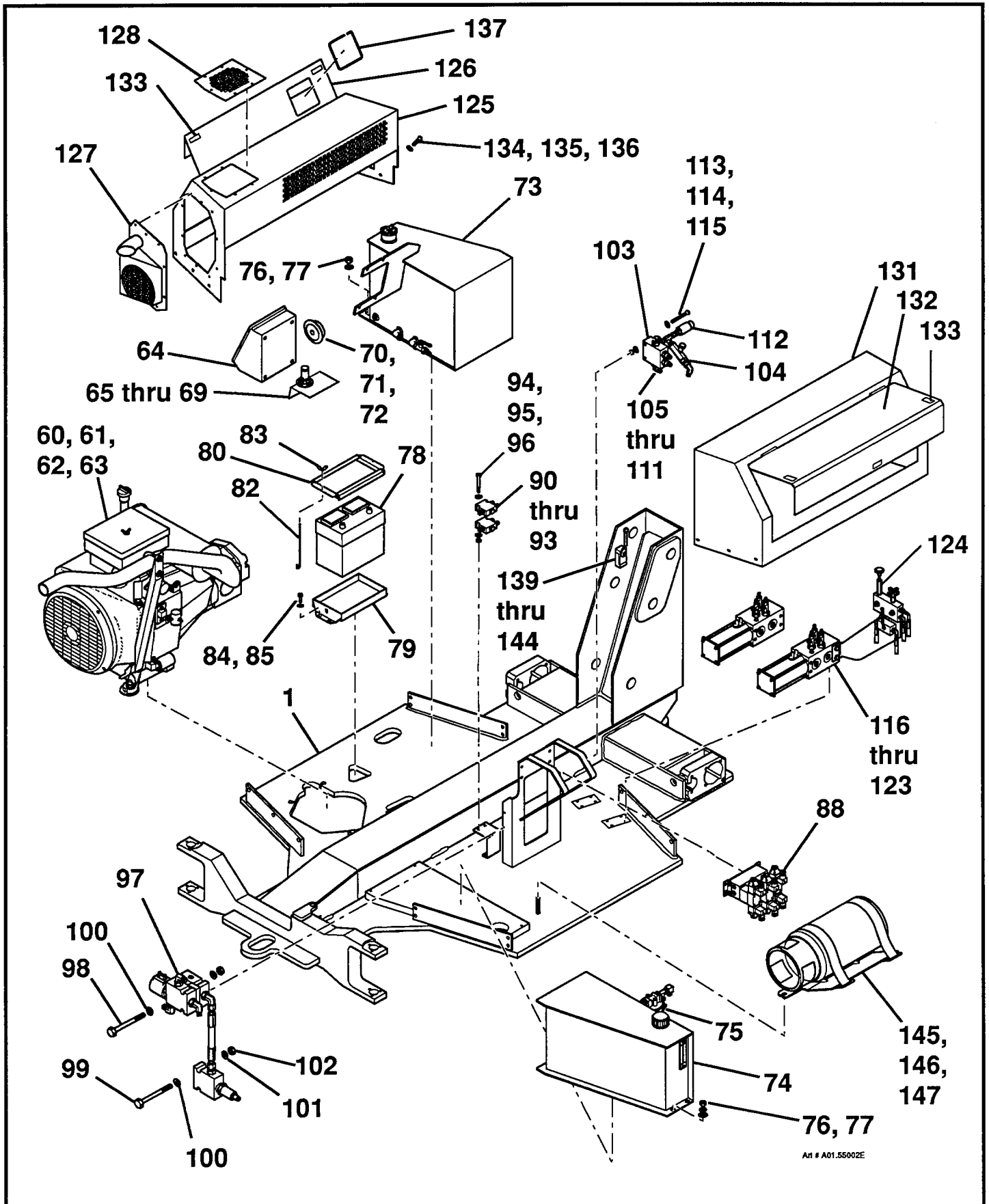
CLICK HERE TO **DOWNLOAD** THE COMPLETE MANUAL

- Thank you very much for reading the preview of the manual.
- You can download the complete manual from: [www.heydownloads.com](http://www.heydownloads.com) by clicking the link below



- Please note: If there is no response to CLICKING the link, please download this PDF first and then click on it.

CLICK HERE TO **DOWNLOAD** THE COMPLETE MANUAL



TITLE

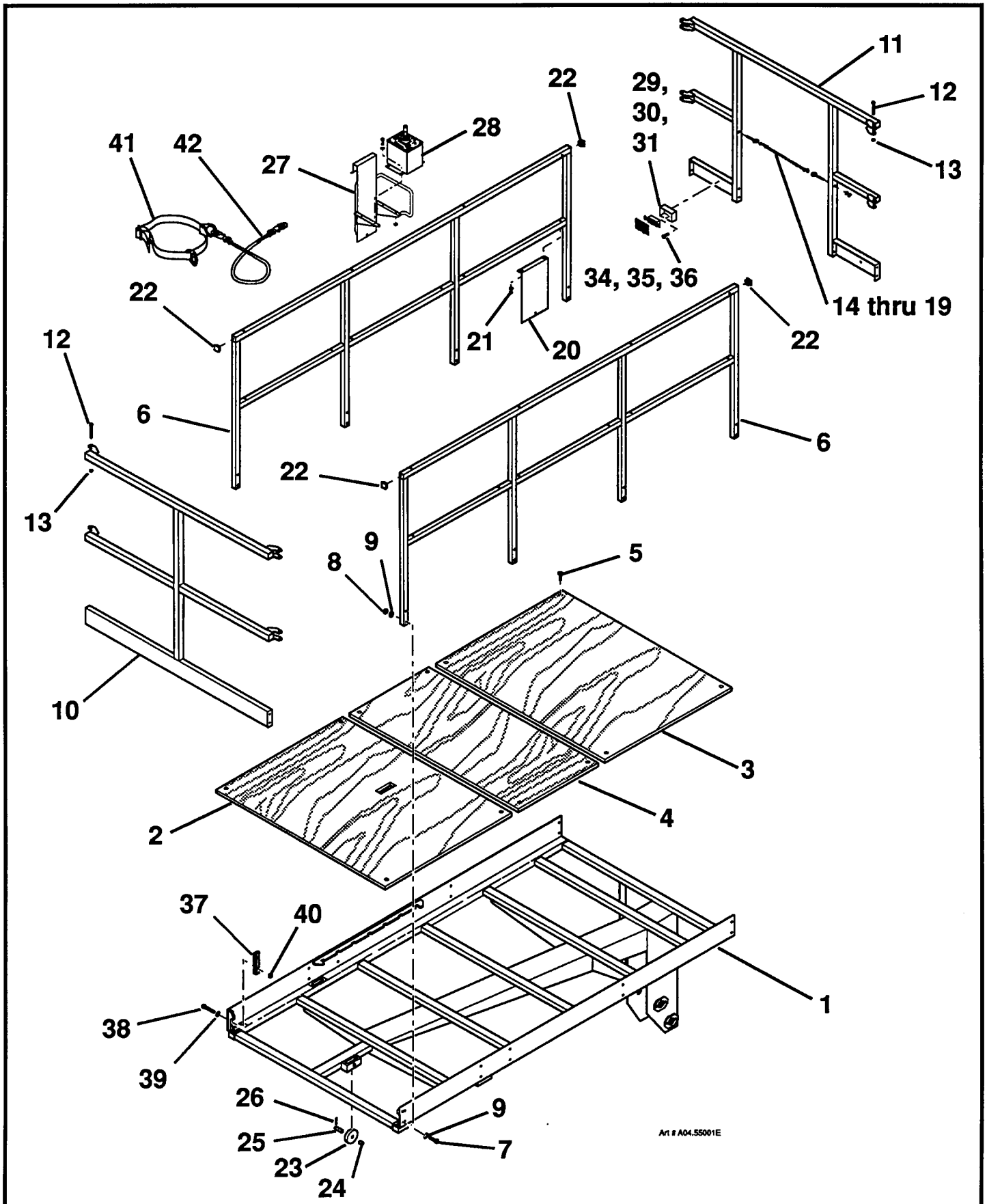
UNDERCARRIAGE, FALCON 2570 (PLATE 3 OF 5)

**SIMON AERIALS INC.**

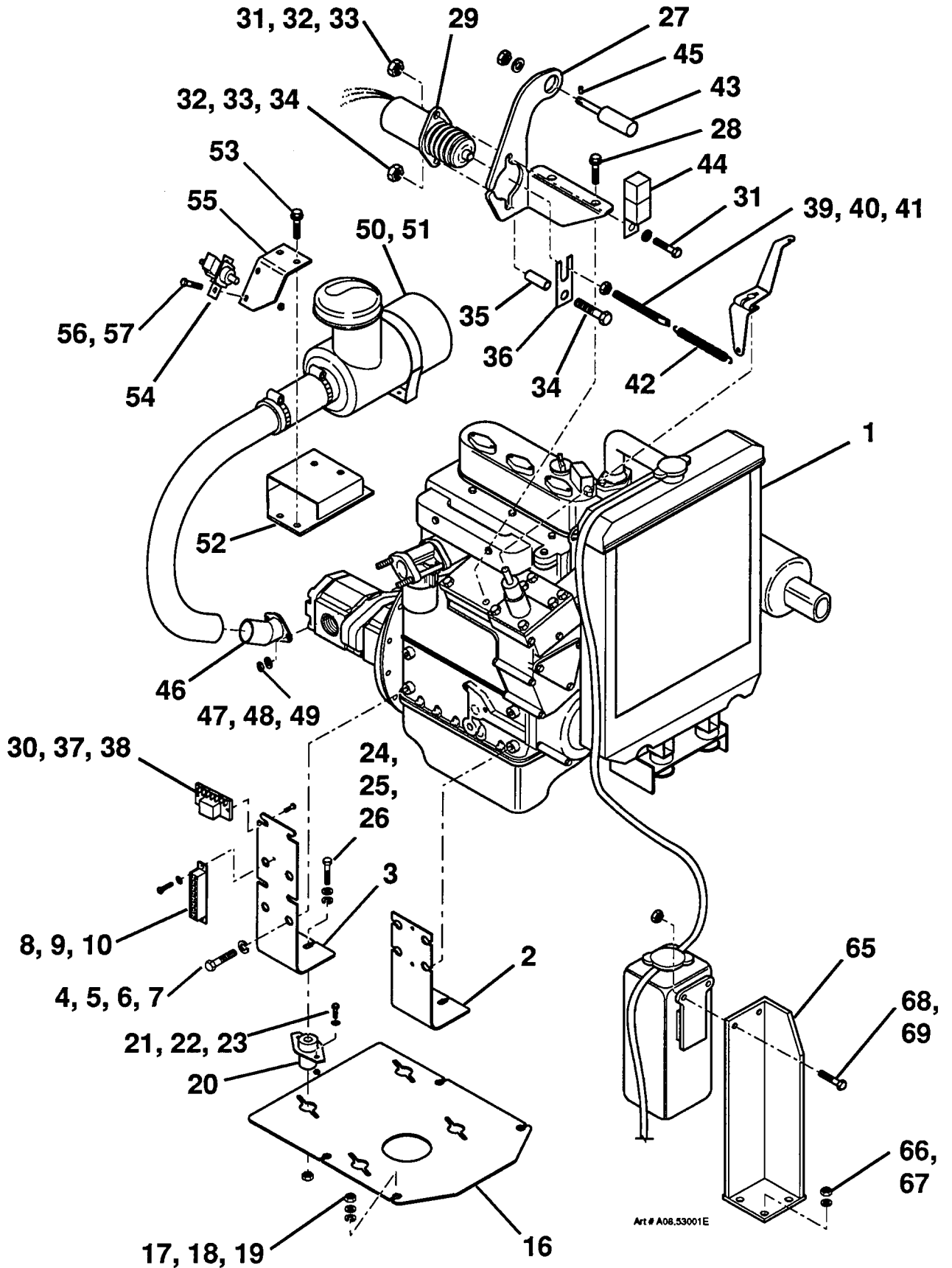
NEW 12 NOV., 1992

PART NO. **A-A 3525150**

PLATE NO. **01.55**



TITLE		PLATFORM ASSEMBLY, FALCON 2570 (PLATE 1 OF 2)		
SIMON AERIALS INC.	NEW 27 OCT., 1992	PART NO.	A-D 3525170	PLATE NO. 04.55



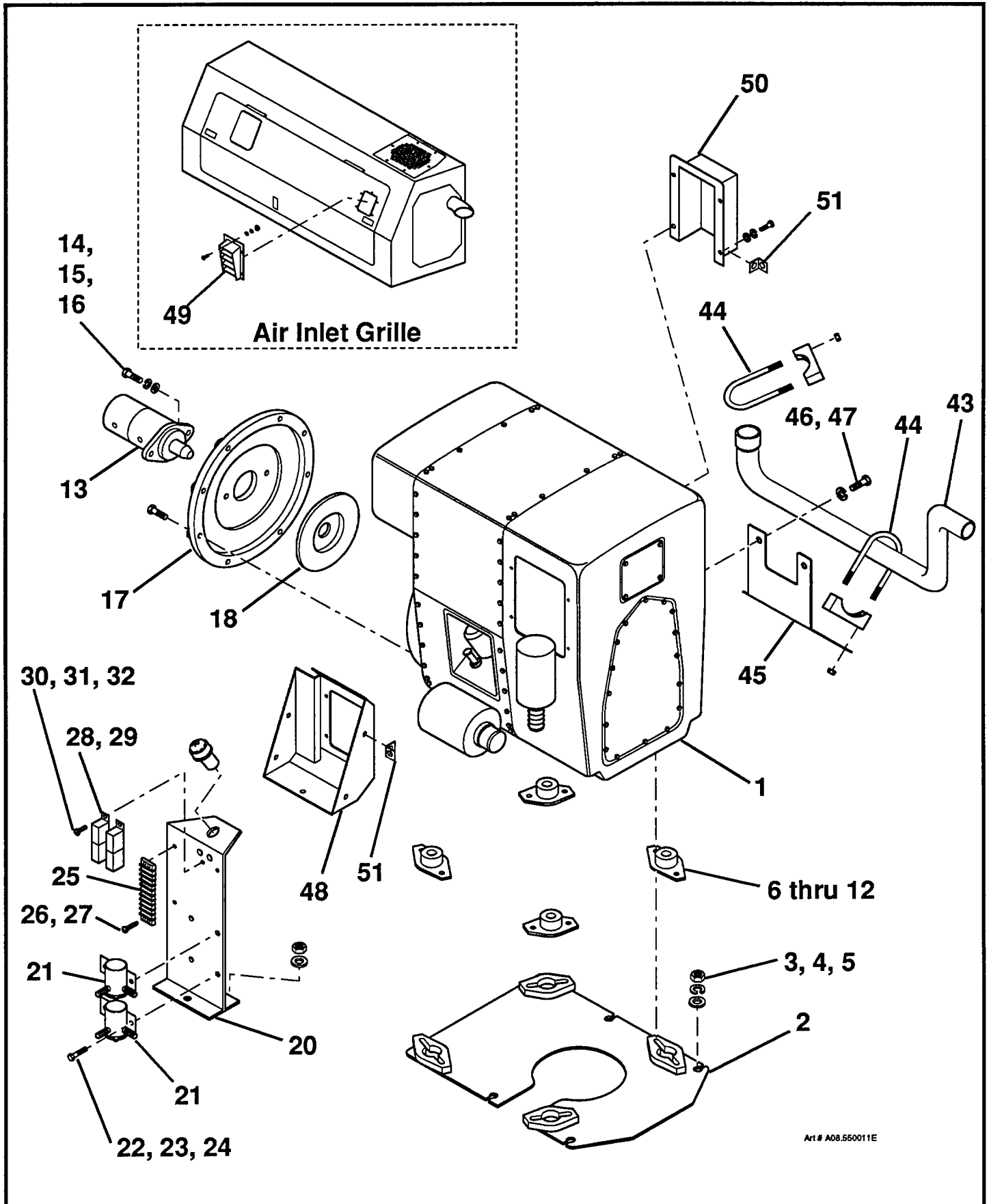
TITLE ENGINE ASSEMBLY, KUBOTA WG 750 (FALCON 2570) (PLATE 1 OF 3)

**SIMON AERIALS INC.**

NEW 07 DEC., 1992

PART NO. 3529180

PLATE NO. 08.53



Art# A08.550011E

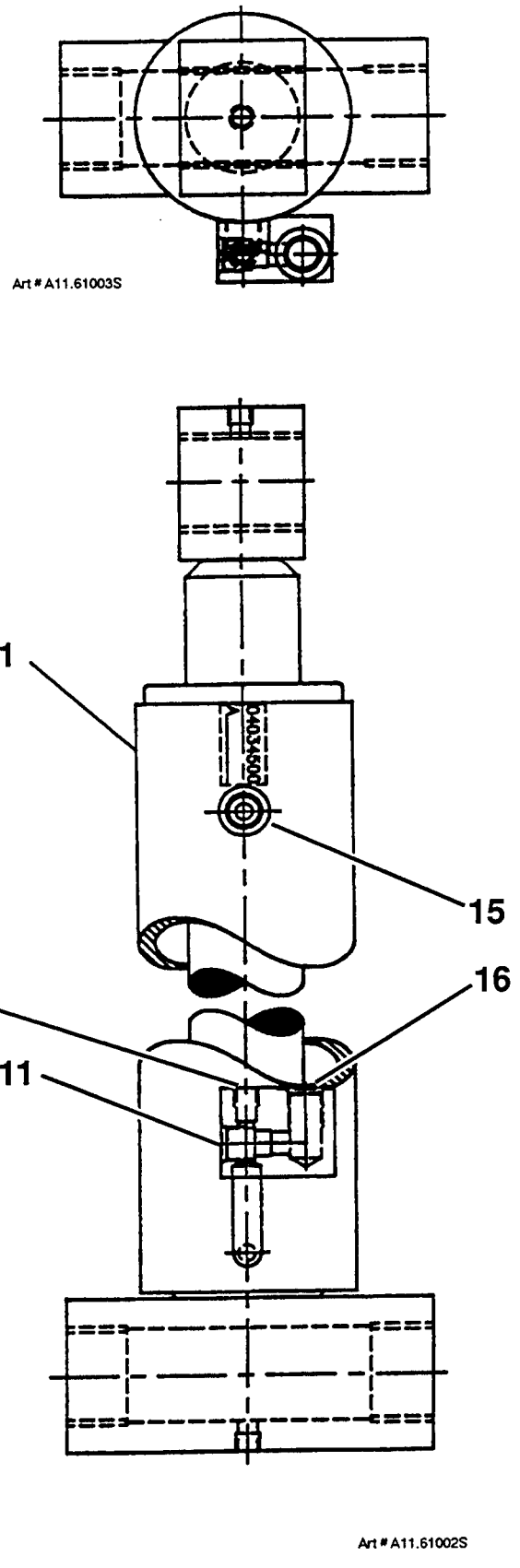
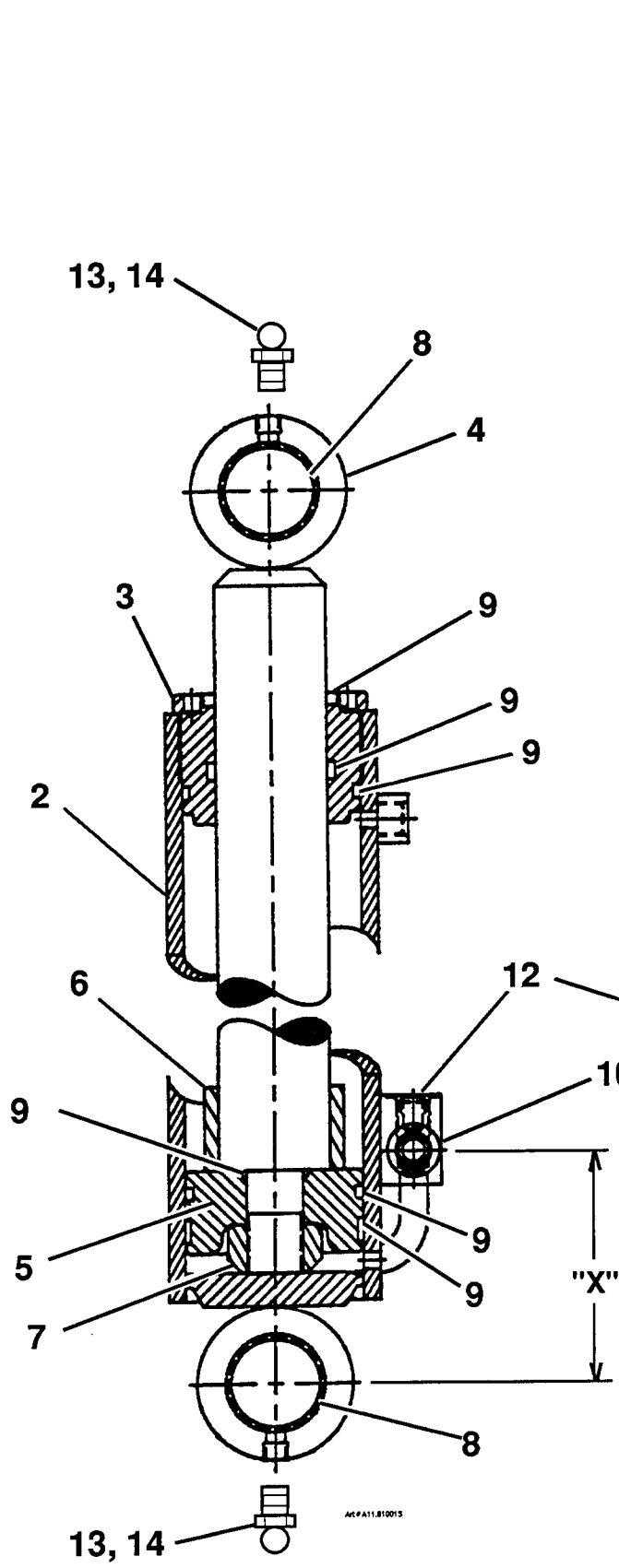
TITLE ENGINE ASSEMBLY, HATZ 1D80C DIESEL (FALCON 2570) (PLATE 1 OF 2)

**SIMON AERIALS INC.**

NEW 07 DEC., 1992

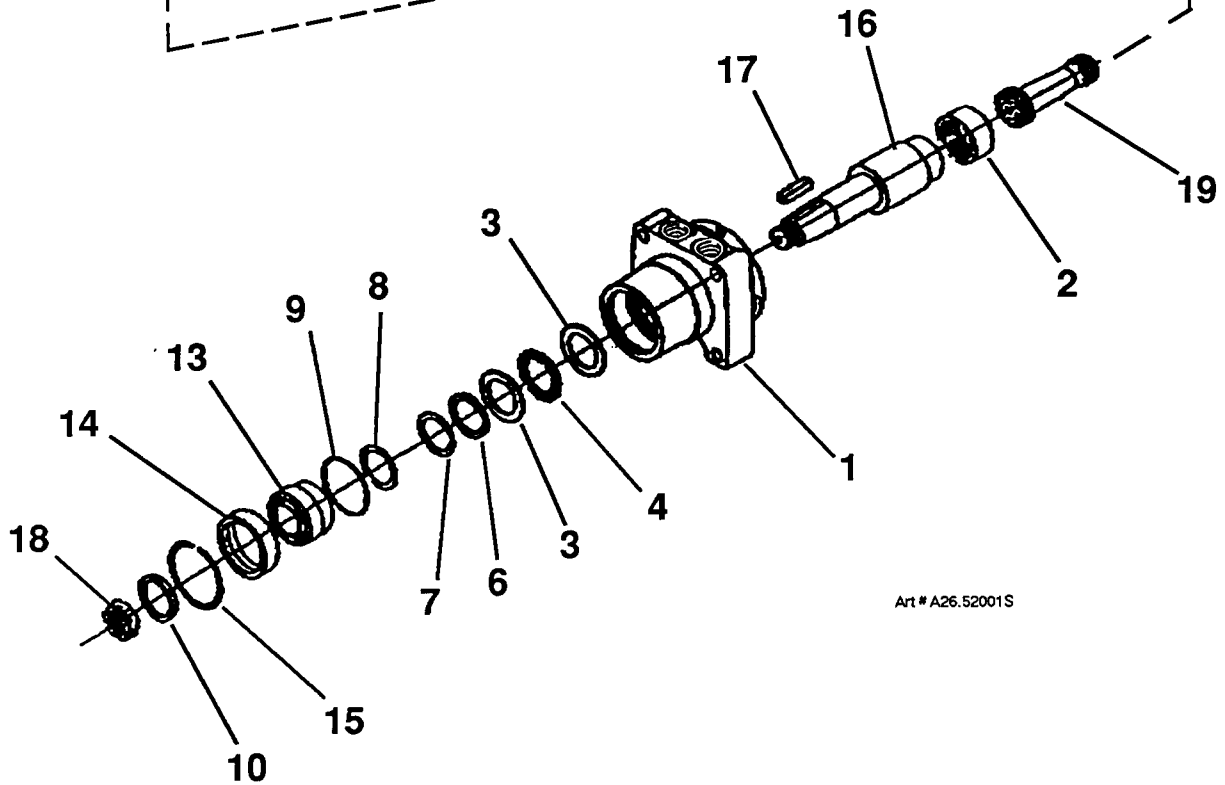
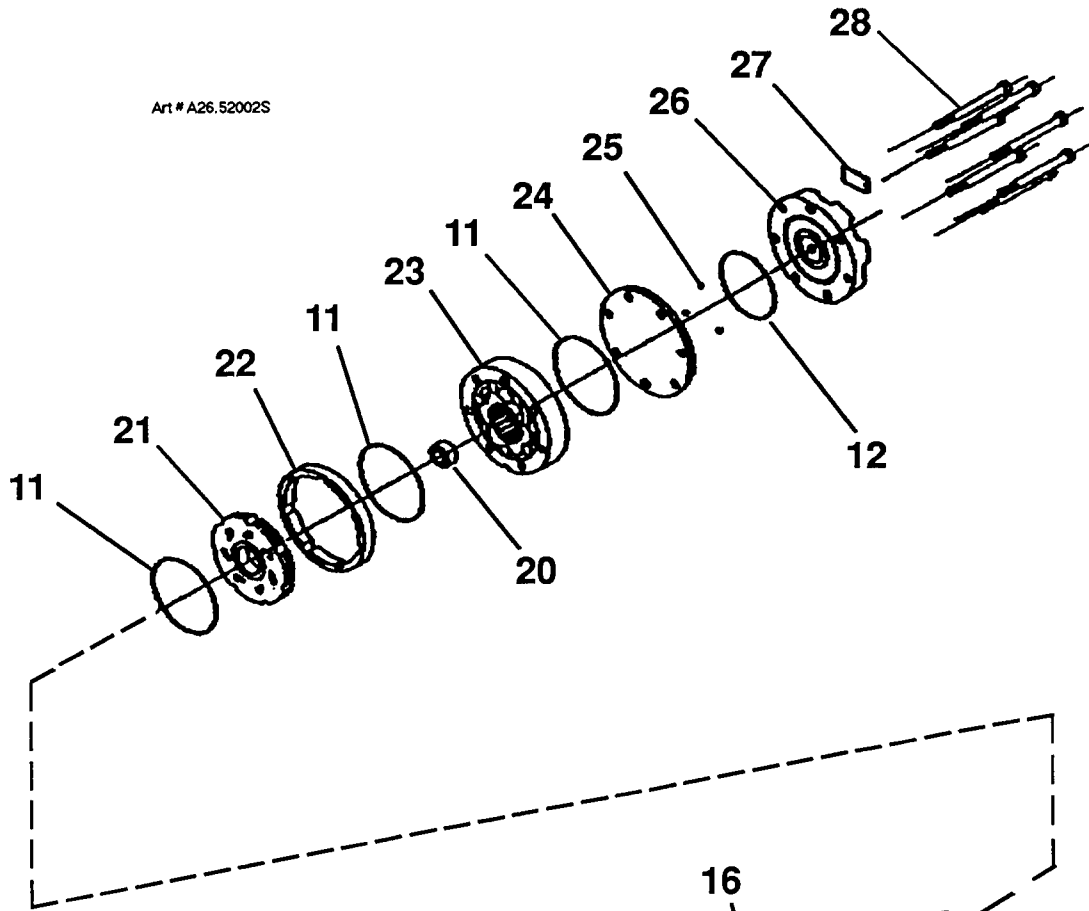
PART NO. 3529760

PLATE NO. 08.55



TITLE		LIFT CYLINDER, FALCON 2548, 2570		
SIMON AERIALS INC.	NEW 16 MAR., 1992	PART NO.	3529110	PLATE NO. 11.61

Art # A26.52002S



Art # A26.52001S

TITLE

WHEEL MOTOR ASSEMBLY

**SIMON AERIALS INC.**

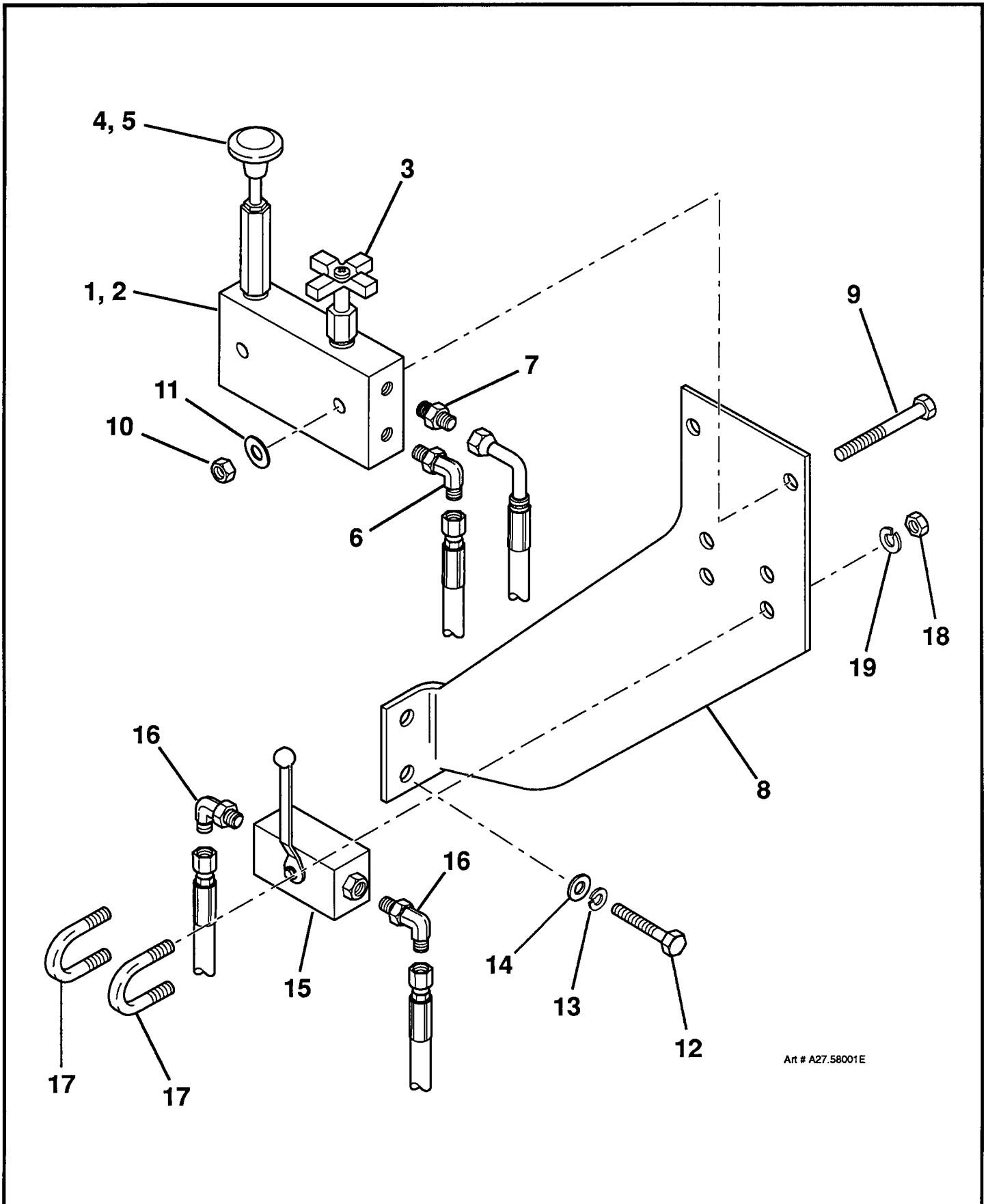
REV. 03 MAY, 1993

PART NO.

01-205400

PLATE NO.

26.52



Art # A27.58001E

TITLE		BRAKE RELEASE VALVE ASSEMBLY, FALCON 2570		
<b>SIMON AERIALS INC.</b>		NEW 17 NOV., 1992	PART NO. 3529780	PLATE NO. 27.58

CLICK HERE TO **DOWNLOAD** THE COMPLETE MANUAL

- Thank you very much for reading the preview of the manual.
- You can download the complete manual from: [www.heydownloads.com](http://www.heydownloads.com) by clicking the link below



- Please note: If there is no response to CLICKING the link, please download this PDF first and then click on it.

CLICK HERE TO **DOWNLOAD** THE COMPLETE MANUAL