

TCM[®]

PARTS MANUAL

DIESEL ENGINE

V3300-DI-KA

KUBOTA

TCM CORPORATION

CLICK HERE TO **DOWNLOAD** THE COMPLETE MANUAL

- Thank you very much for reading the preview of the manual.
- You can download the complete manual from: www.heydownloads.com by clicking the link below



- Please note: If there is no response to CLICKING the link, please download this PDF first and then click on it.

CLICK HERE TO **DOWNLOAD** THE COMPLETE MANUAL

FIG. 3 HYDRAULIC PUMP

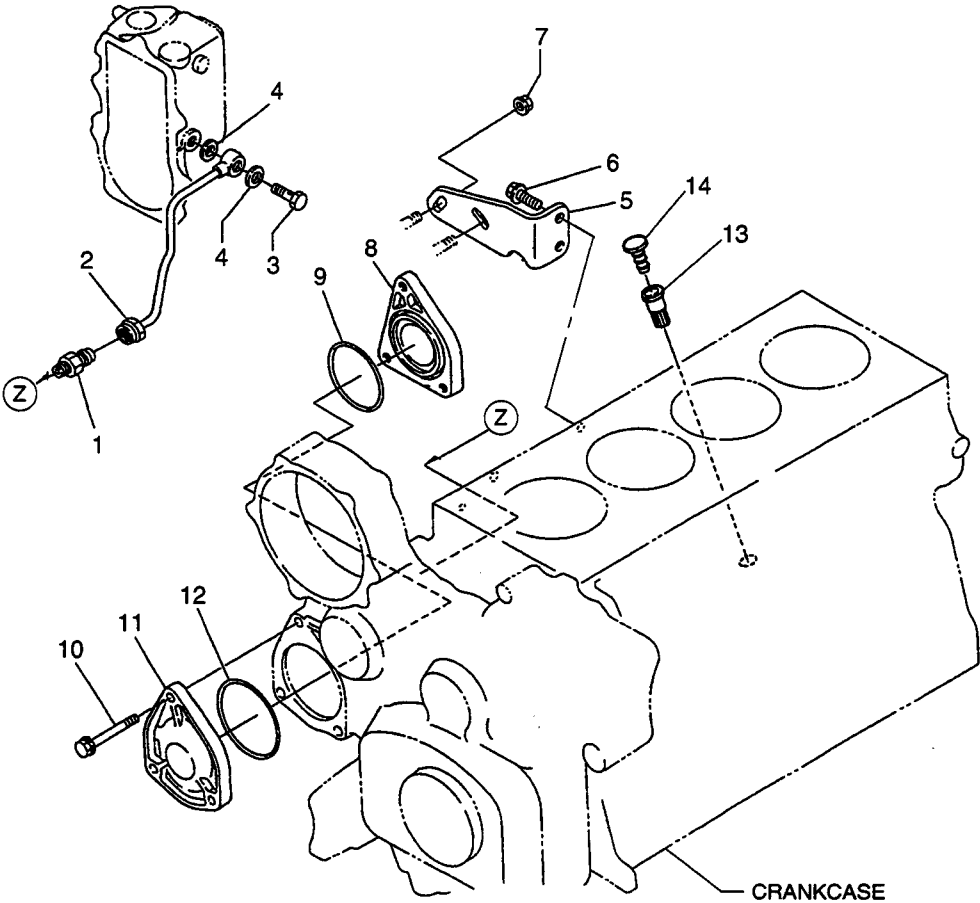
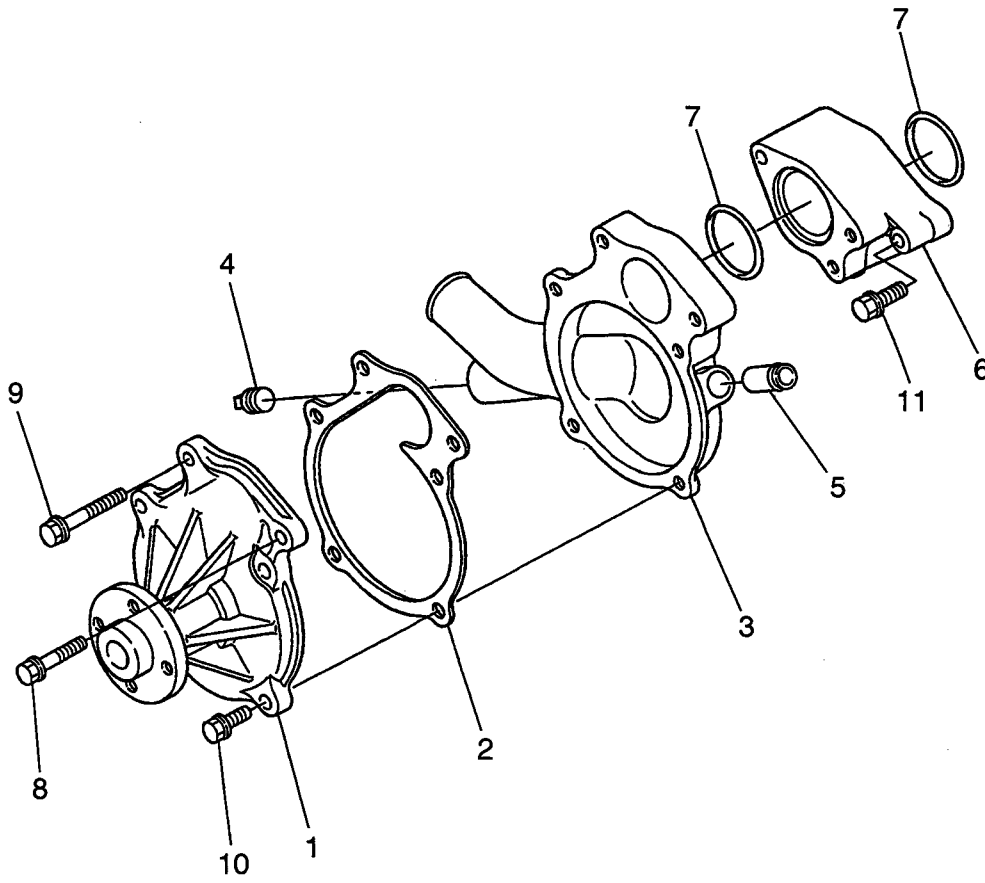


FIG.8

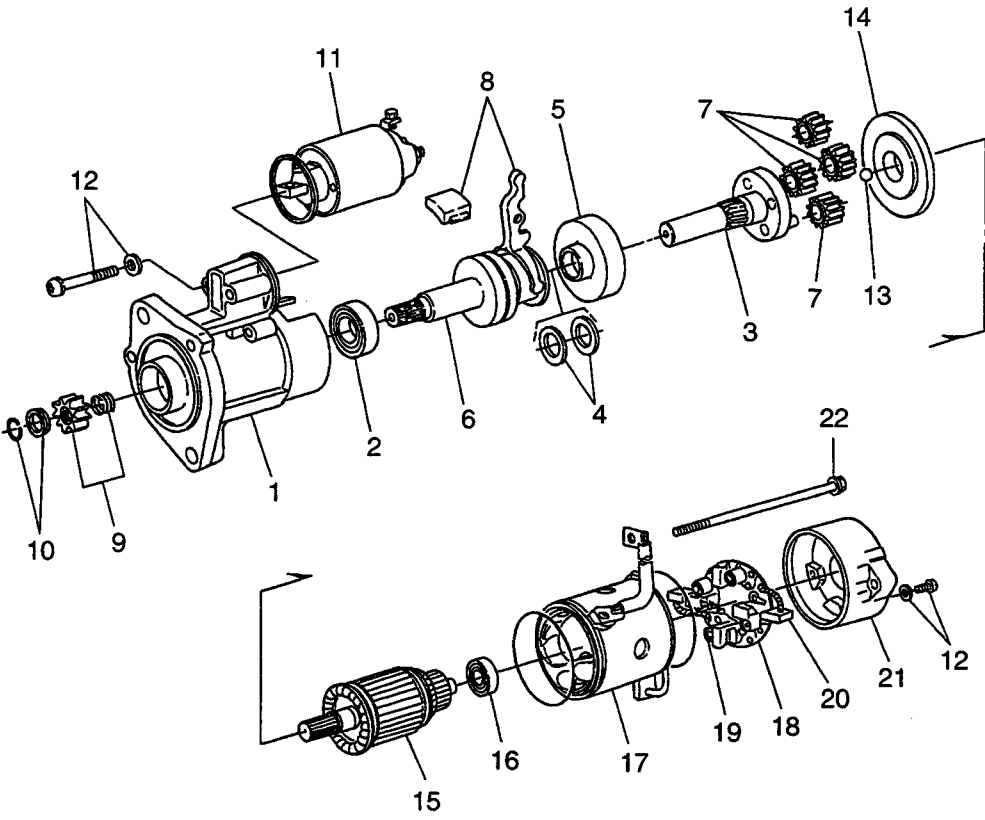
Item No.	Part No.	Mark	Description	Req'd	Remarks : serial No.
1	BN-15471-0174-0		HOOK,ENGINE	2	
2	BN-01754-50814		BOLT	3	
3	BN-15221-9153-0		STUD	1	
4	BN-02751-50080		NUT	1	
5	BN-15221-0337-0		CAP,SEALING	5	
6	BN-15221-0349-0		CAP,SEALING	1	
7	BN-15521-9602-0		PLUG	1	
8	BN-15841-9602-0		PLUG	1	
9	BN-1C010-0345-0		BOLT	18	
10	BN-1C020-0331-0		GASKET	1	0.80mm
-	BN-1C020-0360-0		GASKET	1	0.90mm
-	BN-1C020-0361-0		GASKET	1	0.95mm
11	BN-1K011-3641-0		GAUGE,OIL	1	
12	BN-1K011-3650-0		GUIDE	1	INC.13
13	BN-04814-00090		O-RING	1	
14	BN-1C010-3642-2		GUIDE	1	

FIG. 14 WATER PUMP



Item No.	Part No.	Mark	Description	Req'd	Remarks : serial No.
1	BN-1C020-5603-0		LEVER,FORK	1	INC.2-5
2	BN-04013-60050		WASHER	1	
3	BN-04613-50040		CIRCLIP	1	
4	BN-04613-50050		CIRCLIP	2	
5	BN-04613-50030		CIRCLIP	1	
6	BN-1C010-5615-0		SHAFT	1	
7	BN-1C010-5641-2		SPRING	1	
8	BN-1C020-5648-0		SPRING	1	
9	BN-1C010-5792-0		SPRING	1	
10	BN-01518-50820		STUD	2	
11	BN-1C010-5577-0		GASKET	1	
12	BN-01754-50618		BOLT	7	
13	BN-02556-50050		NUT,LOCK	1	
14	BN-1C010-5415-0		BOLT	1	
15	BN-15601-5412-0		BOLT	1	
16	BN-1C010-5412-0		BOLT	1	
17	BN-1K021-5756-0		BRACKET	1	
18	BN-15841-9202-0		NUT	1	
19	BN-1G031-5421-0		NUT,LOCK	2	
20	BN-15841-9233-0		NUT	3	
21	BN-15601-9665-0		GASKET	6	
22	BN-15108-5728-0		STOPPER	1	
23	BN-02056-50060		NUT	1	
24	BN-15841-5410-0		BOLT	1	INC.25
25	BN-15841-5426-0		SPRING	1	
26	BN-15261-9202-0		NUT	1	
27	BN-15841-5422-0		NUT	1	
28	BN-15021-3366-0		GASKET	2	

FIG. 25 STARTER (INNER PARTS)



CLICK HERE TO **DOWNLOAD** THE COMPLETE MANUAL

- Thank you very much for reading the preview of the manual.
- You can download the complete manual from: www.heydownloads.com by clicking the link below



- Please note: If there is no response to CLICKING the link, please download this PDF first and then click on it.

CLICK HERE TO **DOWNLOAD** THE COMPLETE MANUAL