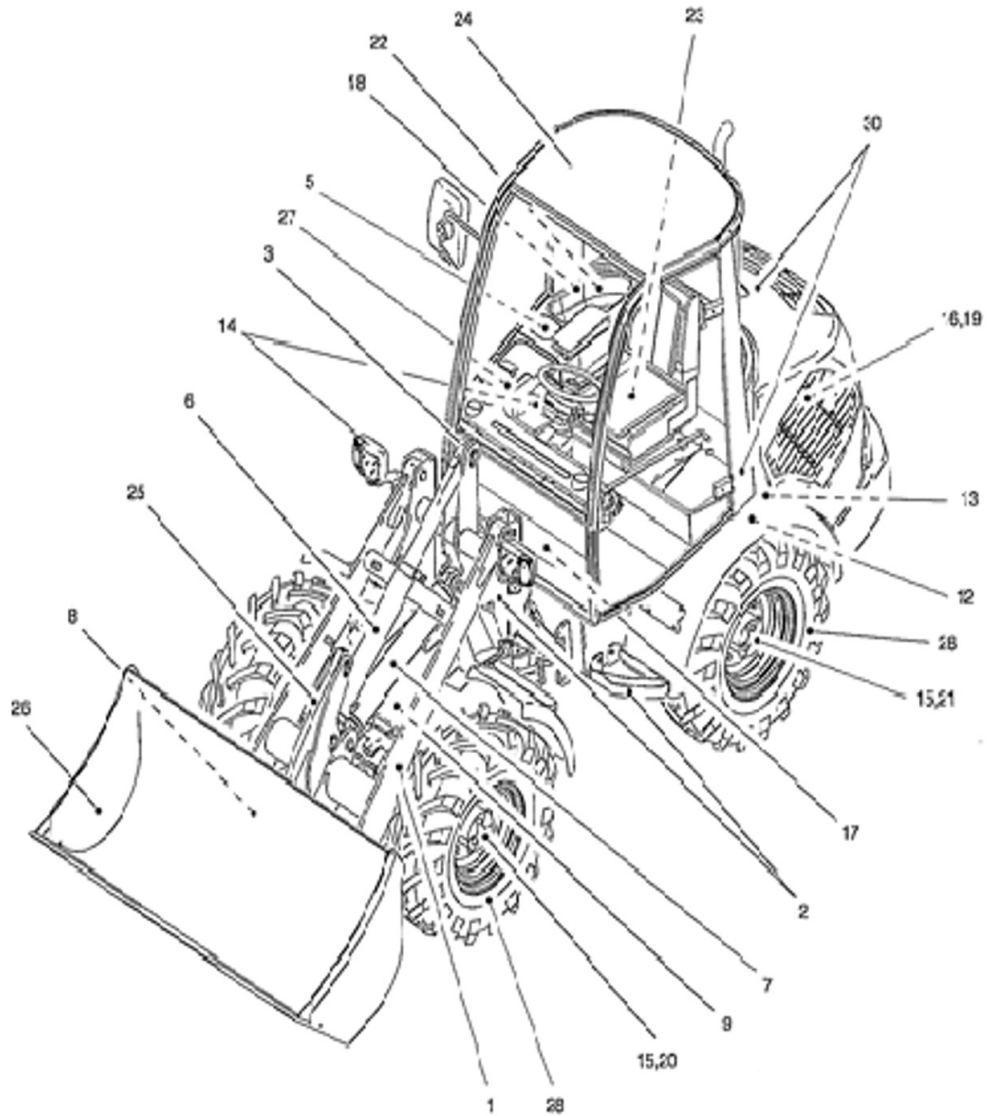


TW60

Book No. 8016564
Serial No. E104062~



TAKEUCHI

CLICK HERE TO **DOWNLOAD** THE COMPLETE MANUAL

- Thank you very much for reading the preview of the manual.
- You can download the complete manual from: www.heydownloads.com by clicking the link below



- Please note: If there is no response to CLICKING the link, please download this PDF first and then click on it.

CLICK HERE TO **DOWNLOAD** THE COMPLETE MANUAL

Item	Part number	Description	Base Frame Q'ty	Chan.	Serial No.	Serv.	Remarks
97	0893189	Hex Head Screw A3C	4				
98	0863138	Washer A3C	32				
99	2481254	Ripp Wsher A3C	16				
100	0399760	Nut A3C	24				
101	1722787	Serrated Nut	6				
102	0893214	Hex Head Screw A3C	31				
103	1898686	Packing Strap 1710 MM	1				
104	1898686	Packing Strap 1280 MM	1				
105	1898686	Packing Strap 320 MM	1				
106	5820170	Plate	4				
107	2481254	Ripp Washer A3C	1				
108	1398385	Countersunk Screw A3C	2				
109	3939464	Ripp Washer A3C	10				
121	0806264	Wedge Holder	1				
122	0399760	Nut A3C	4				
123	0863138	Washer A3C	4				

Hydraulic Lifting Unit

Item	Part number	Description	Q'ty	Chan.	Serial No.	Serv.	Remarks
	8016546	Hydraulic Lifting Unit	1				
	8016544	Boom	1				
1	3959526	Lifting Ram	2				
2	3959537	Working Ram	1				
3	3741159	Bolt Compl	2				
4	1783337	Serrated Hex Head Screw	3				
5	0839694	Bolt Compl	1				
6	8003090	Shovle Position Indicator	1				
15	8011954	Clip Body Compl	4				
18	8011943	Pipe Line	2				
30	4674104	Shim 1.0 MM	1				
	8001149	Shim 1.5 MM	1				
	4626253	Shim 2.0 MM	1				

Item	Part number	Description	Working Cylinder				Remarks
			Q'ty	Chan.	Serial No.	Serv.	
	3959537	Working Cylinder	1				
8	0324590	Grease Nipple	1				
9	0465830	Spherical Bearing	2				
10	0318069	Circlip Tone 400	2				
11	0303528	Grease Nipple	1				
12	1011890	Cylinder Nut	1				
14	3924956	Piston Rod Compl	1				
15	3925048	Piston Guide Compl	1				
	1074282	Pack Set 80/50	1				

Electric System						
Item	Part number	Description	Q'ty	Chan.	Serial No.	Serv. Remarks
	5820074	Electric System	1			
1	3928789	Left Headlight	1			
2	3928790	Right Headlight	1			
3	3931579	Rear Reflector	2			
4	3927197	Rear Light 12V	2			
	3986267	Glass Cover	1			
	0388450	Incandescent Lamp P21W 12V 21W	2			
5	8012422	Rear Reflector Compl	2			
	8014405	Reflector Glass	2			
	0335311	Incandescent Lamp P25/2 12V 5W	2			
	0388450	Incandescent Lamp P21W 12V 21W	2			
6	4666308	Signal Horn 12V	1			
7	2995299	2 Pump Container	1			
	2995813	Pump	2			
	2995824	Cover	1			
	2995835	Socket	2			
8	0487336	Nut A3C	12			
9	3940901	Washer A3C	10			
10	2481254	Ripp Washer A3C	4			
11	8009782	Serrated Hex Head Screw	2			
12	0441752	Battery	1			
13	1316047	Washer A3C	1			
14	8010301	Bolt	1			
15	2443576	Clip Norma	2			
16	0492935	Tooth Lock Washer A3C	2			
17	1307079	Hex Head Screw A3C	2			
18	0399760	Nut A3C	2			
19	1078004	Clip Norma	2			
20	8012324	Ground Strap	1			
21	8012321	Ground Strap	1			
22	8012325	Cable Compl	1			
23	0321779	Usit Ring U	1			
24	8003057	Serrated Hex Head Screw	1			
25	8015870	Ground Strap	1			
26	1787217	Battery Holder	1			
27	0893167	Nut A3C	1			
28	0417069	Starter Protect Cap	1			
29	8012334	Basic Unit Cable Set	1			
30	1658131	Hex Head Cap Screw	2			
31	0478675	Holder Nut	2			
32	3963555	Stop Light Switch	1			
33	0327297	Nut A3C	3			
34	2982534	Serrated Hex Head Screw	2			
35	8008597	Printed Circuit Compl	1			
36	8000924	Holder	2			
41	1366865	Non Return Valve	2			
42	2457425	Plate	1			
43	2443587	Clip Norma	1			
50	3929586	Relay	1			
51	8007601	Lens Head Screw	3			
52	0327286	Nut A3C	3			
53	1719248	Fuse 7.5 AMP	1			
54	2980769	Fuse Holder	1			
55	2980781	Fuse Plate	1			
61	8012901	Kit Set	1			
71	8012789	Instrument Panel	1			
72	8012803	Covering	1			
	8000174	Lock	1			
	8001887	Key	1			
	0909304	Profile Rubber 200 MM	1			
73	8008592	Display Compl	1			
	8013964	Incandescent Lamp	1			
	0335366	Incandescent Lamp	1			
	8013963	Incandescent Lamp	14			
74	3956250	Round Cord 655 MM	1			
75	8012786	Instrument Panel	1			
76	3754416	Lens Head Screw A3R	4			
77	3976607	Countersunk Screw A3C	1			

Item	Part number	Description	Q'ty	Chan.	Serial No.	Serv.	Remarks
	5820056	Drive Set	1				
1	5820057	Front Axle	1				
2	5820058	Rear Axle	1				
3	8012141	Universal Joint Shaft	1				
4	2997199	Serrated Hex Head Screw	6				
5	5820125	Oil Motor	1				
6	0330270	O-Ring	1				
8	2993151	Serrated Hex Head Screw	4				
9	1705651	Flanged Ball Nut A3C	32				
10	8006383	HP-Hose 6 X 2000	1				
11	3768296	Gasket A3C	1				
12	0350898	Usit Ring U	8				
13	0862944	Female Screw A3C	1				
14	2980827	Female Screw A3C	2				
15	5820150	Hose Line 6 X 2400	1				
16	2973453	Hose Line 5 X 900	1				
18	8002505	Clamp Strap	4				
19	3932934	Nut	8				
20	5820160	HP-Hose 6 X 500	1				
21	0373588	Usit Ring U	4				
22	2997202	Serrated Nut	6				
24	3929815	Female Screw S A3C	2				
25	0858506	Usit Ring U	2				
26	5820196	Hand Brake Rope	1				
27	3925526	Way Valve 3/2 12V	1				
	2916625	Magnet	1				
	2983842	Packing Set	1				
28	0893167	Nut A3C	2				
31	8004251	Female Screw A3C	1				
32	8004852	Gasket A3C	2				
35	1722663	Screw Coupling A3C	1				
36	0893327	Hex Head Screw A3C	2				
37	2992014	Ripp Washer A3C	4				
38	0487336	Nut A3C	2				
39	5820171	Spacer	8				
40	0474648	Bolt	1				
41	0804897	Nut A3C	1				
42	3938849	Washer A3C	2				
43	2014395	Hose 200 MM	2				
44	0471678	Cable Band	4				
51	8002252	Brake Throttle Valve	1				
52	8014176	Main Brake Cylinder	1				
53	8014176	Hand Brake Lever	1				

Oil Pressure Pump Compl

Item	Part number	Description	Q'ty	Chan.	Serial No.	Serv.	Remarks
	5820115	Oil Pressure Pump	1				
1	5820116	Oil Pressure Pump 12V	1				
2	5820117	Oil Pressure Pump	1				
3	2656664	Coupling A3C	1				
4	2479669	Screw Coupling A3C	1				
5	1389873	Hex Head Screw Cap	4				
6	8010564	Priority Valve	1				
7	2481696	Coupling A3C	2				
8	0351219	O-Ring	1				
9	8008054	Lens Head Screw	2				
10	2481243	Ripp Washer A3C	2				
11	2913213	Coupling A3C	1				
12	2906189	Screw Coupling	5				
13	1686475	Coupling A3C	3				
14	3952790	Coupling A3C	1				
15	8004537	Oil Thermocoupler	1				
16	1749244	Temperature Switch	1				
17	3939248	Coupling	1				
18	0373588	Usit Ring U	1				
19	2651761	O-Ring	1				
20	2967682	Coupling A3C	1				
21	1631641	Cap Nut A3C	1				
22	2904723	Locking Bunch A3C	1				

Item	Part number	Description	Axle Pipe			
			Q'ty	Chan.	Serial No.	Serv. Remarks
1	8014145	Axle Pipe	2			
2	8010322	Bolt	32			
3	3968889	Air Vent	1			
4	2655505	Plug A3C	2			
5	8010108	O-Ring	2			
6	2915782	Oil Seal	2			
7	8010249	Oil Seal	2			
8	8010027	Conical Roller Bearing	4			
	8010028	Conical Roller Bearing	4			
9	8009470	Wheel Pin	16			
10	5820056	Flanged Ball Nut A3C	16			
11	8010257	Snap Ring	2			
12	8009457	Centering Ring	2			
13	8009259	Side Shaft Wheel	2			
14	8009260	Plate	2			
15	8010258	Circlip Tone 400	6			
16	3983742	Planet Wheel	6			
17	8010025	Roller Bearing	6			
18	8010263	Plug A3C	2			
20	0482831	Countersunk Screw A3C	4			
21	8009261	Planetary Housing	2			
22	3983764	Disk	2			
23	8010264	Nut	16			
24	8010303	Stud	16			
25	3983719	Gear Rim	2			
26	2902163	O-Ring	2			
27	8009262	Wheel Hub	2			
28	8014146	Axle Shaft	2			
29	8009264	Housing Compl	2			

Driver's Seat Compl

Item	Part number	Description	Q'ty	Chan.	Serial No.	Serv.	Remarks
	8013032	Driver's Seat Compl	1				
1	8016776	Seat Cushion	1				
2	8016777	Back Pad	1				
3	8016778	Backrest Extension	1				
6	8014466	Left Armrest	1				
	8014467	Hand Wheel	1				
7	8014471	Clips	6				
8	8014472	Hook	4				
9	8014473	Covering	10				
13	8014469	Left Covering	1				
14	8014470	Right Covering	1				
18	8014468	Side Pane Handle	1				
19	8014589	Safety Belt	1				

Protective Canopy						
Item	Part number	Description	Q'ty	Chan.	Serial No.	Serv. Remarks
	8015046	Protective Canopy	1			
1	8015043	Protective Canopy	1			
2	8015045	Holder	2			
3	0893214	Hex Head Screw A3C	2			
4	0447985	Washer A3C	4			
5	0487336	Nut A3C	2			
6	0487314	Lens Head Screw	2			
7	1356341	Washer A3C	4			
8	0399760	Nut A3C	2			
10	1749299	Cleaner and Activator	1			
11	2907022	Terostat-92 Black	1			

CLICK HERE TO **DOWNLOAD** THE COMPLETE MANUAL

- Thank you very much for reading the preview of the manual.
- You can download the complete manual from: www.heydownloads.com by clicking the link below



- Please note: If there is no response to CLICKING the link, please download this PDF first and then click on it.

CLICK HERE TO **DOWNLOAD** THE COMPLETE MANUAL