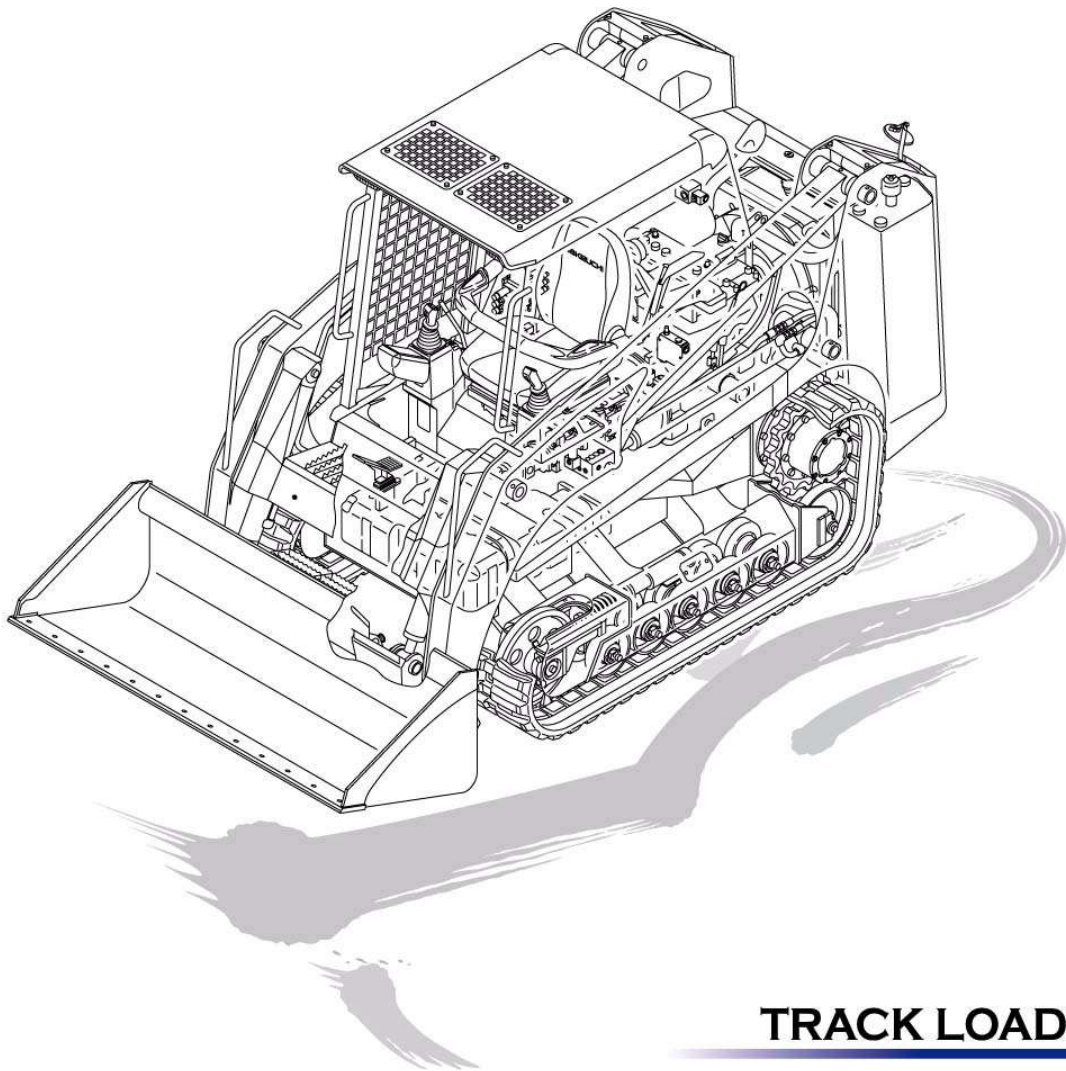


PARTS MANUAL

TL8

Serial No. 200800002~
BU8Z000 [P-TL8_E-XA]



TRACK LOADER

TAKEUCHI

CLICK HERE TO **DOWNLOAD** THE COMPLETE MANUAL

- Thank you very much for reading the preview of the manual.
- You can download the complete manual from: www.heydownloads.com by clicking the link below



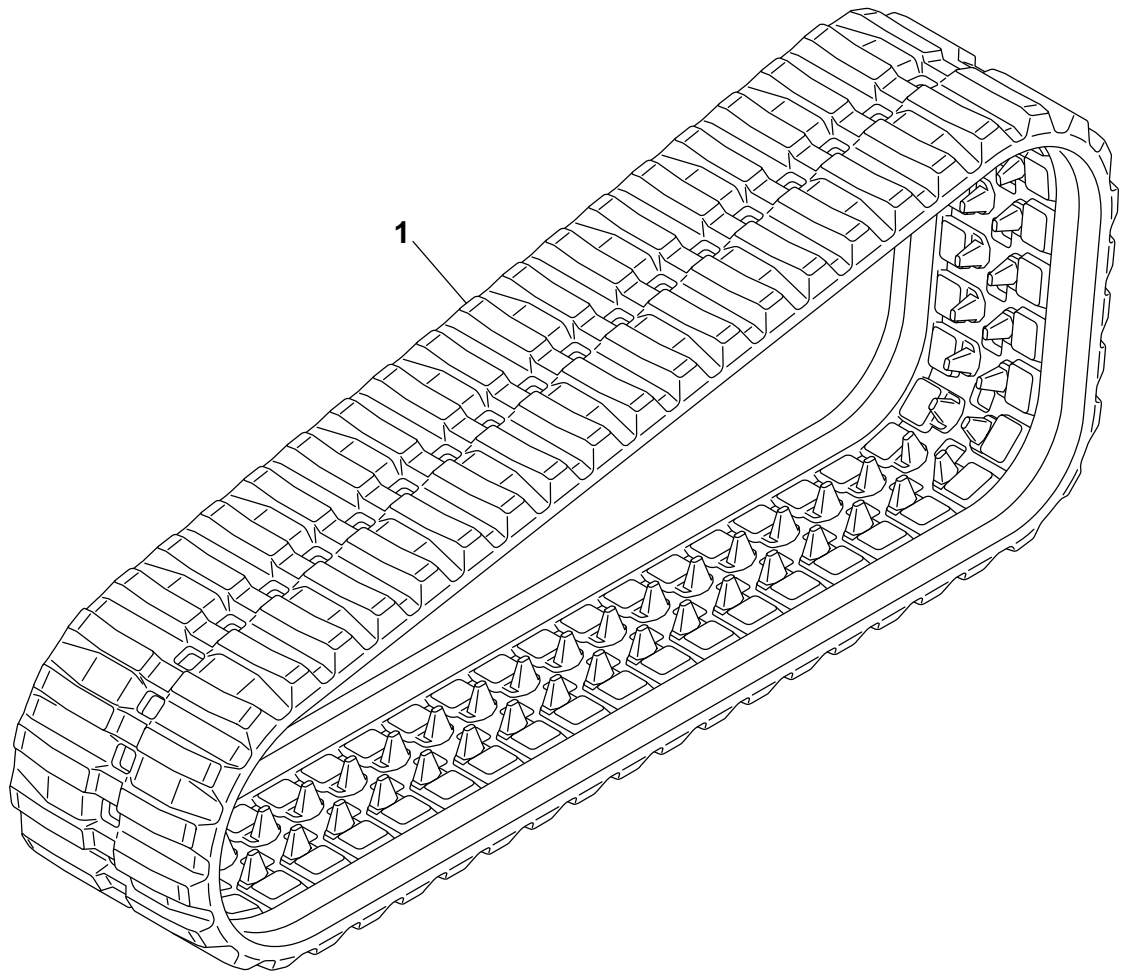
- Please note: If there is no response to CLICKING the link, please download this PDF first and then click on it.

CLICK HERE TO **DOWNLOAD** THE COMPLETE MANUAL

INDEX

Item	Part number	Description	Q'ty	Chan.	Serial No.	Serv.	Remarks
1		UNDERCARRIAGE					
2		MAIN FRAME & CONTROL LEVER					
3		ENGINE & ELECTRICAL SYSTEM					
4		HYDRAULIC PIPNG & TANK					
5		COVER & CAB					
6		ATTACHMENT					
7		DECAL & TOOL					
8		HYDRAULIC DEVICE					
10		ENGINE					
		2014.2.12					
		P-TL8_E-XA					
		BU8Z000					
		06600-00500					

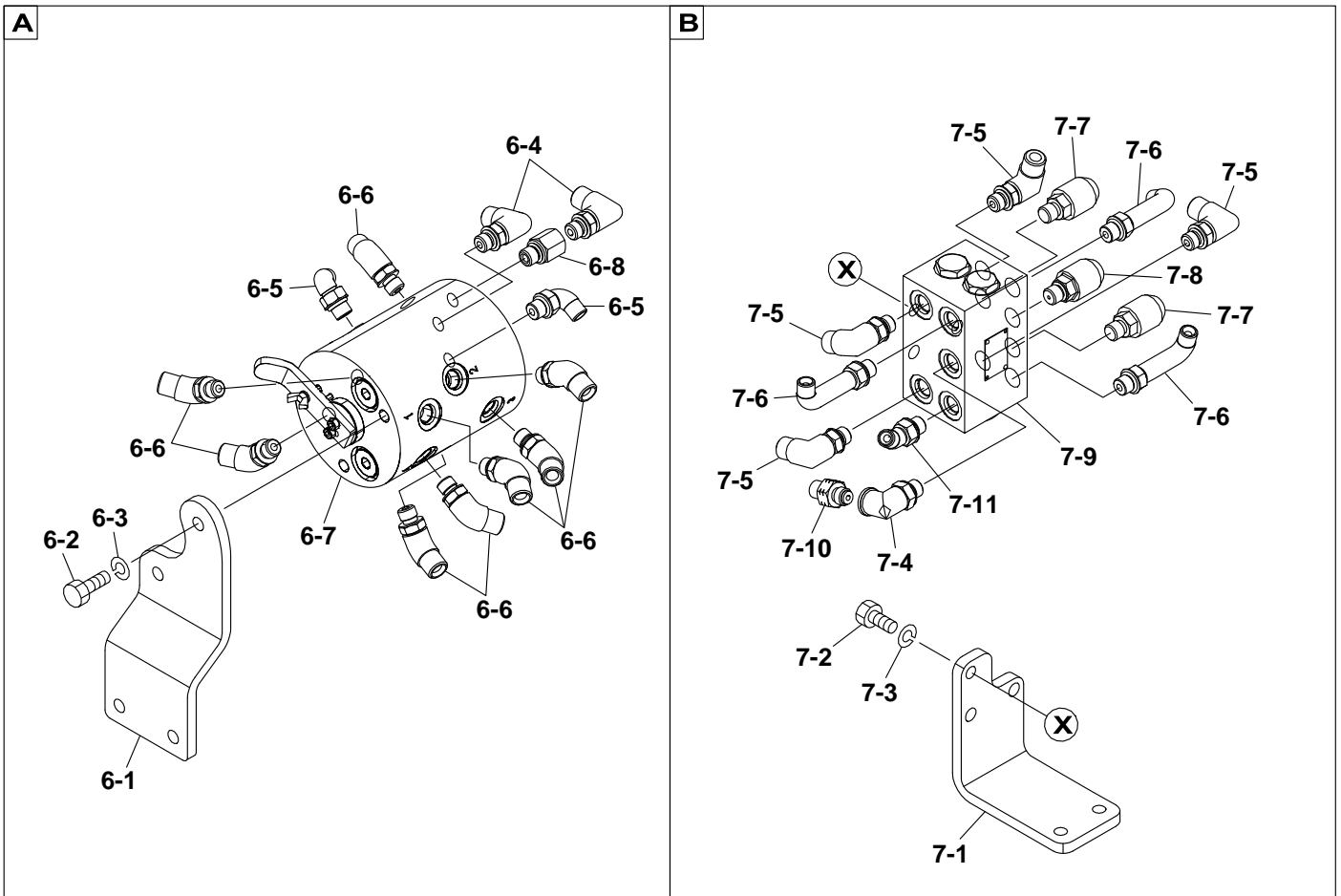
TL8 [P--TL8_E-XA] BU8Z000 S/N200800002-
CRAWLER BELT



T7A060

S=1/12

TL8 [P--TL8_E-XA] BU8Z000 S/N200800002-
ILLUSTRATINO 3/3



U8B050c

S=1/5

ENGINE & ACCESSORIES (3/4)

Item	Part number	Description	Q'ty	Chan.	Serial No.	Serv.	Remarks
0-2	X *****	PRE-CLEANER ASSY	1				
1	0664005710	· BRACKET	1				
2	0664005420	· PLATE	1				
3	0664001250	· PLATE	1				
4	0664000704	· PIN	1				
5	0664000705	· PIN	1				
6	0664000706	· SPRING	1				
7	0664000707	· SPRING	1				
8	1652111610	· RUBBER	1				
9	1224010010	· RING, retaining	4				
10	1100040830	· BOLT	2				
11	1130040008	· NUT	2				
12	0003608252	· WASHER	2				
13	1140020008	· WASHER, spring	2				
14	1120530308	· SCREW	1				
15	1911261200	· CLEANER, air	1				
16	0664001230	· PIPE	1				
17	1141110008	· WASHER	2				
18	1901240130	· CAP	1				
19	1911240131	· BAND	1				
20	1533700080	· BAND	1				
21	1911240110	· PRE-CLEANER	1				
	U8c030						

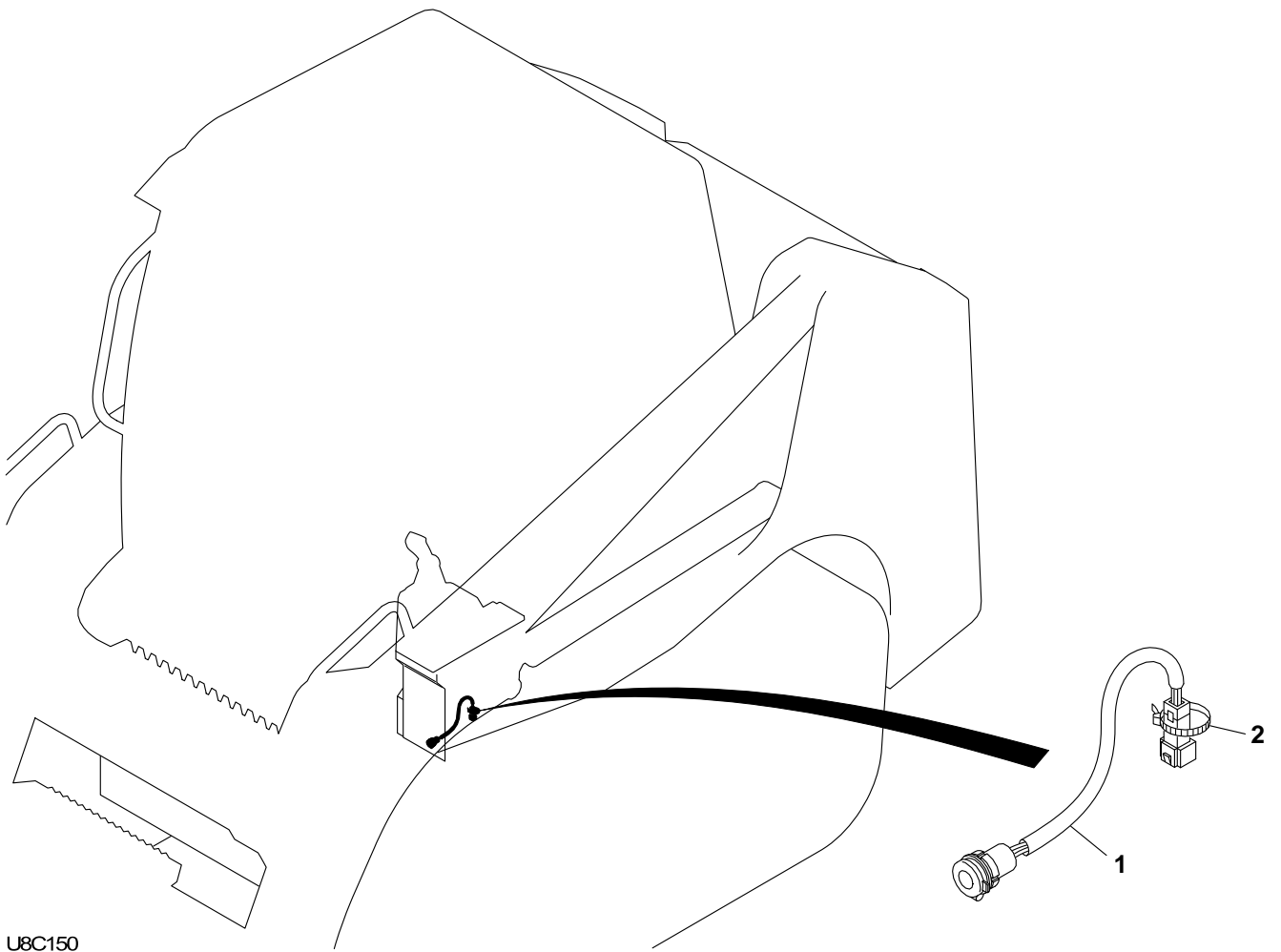
FOOT ACCELERATOR

Item	Part number	Description	Q'ty	Chan.	Serial No.	Serv.	Remarks
		ACCELERATOR ASSY, foot					
1	0664100003	BRACKET	1				
2	1700000070	ACCELERATOR, foot	1				
3	1100040820	BOLT	2				
4	1140020008	WASHER, spring	4				
5	1141110008	WASHER	4				
6	1100040825	BOLT	2				
	U8c080						

ELECTRICAL (1/2) (with 14 pin connector)

Item	Part number	Description	Q'ty	Chan.	Serial No.	Serv.	Remarks
		ELECTRICAL ASSY					
1	X *****	UNIT ASSY, relay	1				see page (2/2)
2	0664200022	HARNESS, wiring	1				
3	0664200023	HARNESS, wiring	1				
4	0664200007	HARNESS, wiring	1				
5	0664200008	BRACKET	1				
6	0664200011	COVER	1				
7	0687310020	BRACKET	1				
8	0694205212	RUBBER	1				
9	0664200047	BRACKET	1				
10	0694205680	PLATE	1				
11	0694205685	BRACKET	1				
12	0694205695	INSULATOR	1				
13	0003600020	WASHER	1				
14	0003608252	WASHER	3				
15	1100040610	BOLT	4				
16	1100040612	BOLT	4				
17	1100040616	BOLT	3				
18	1100040660	BOLT	2				
19	1100040812	BOLT	1				
20	1100040814	BOLT	3				
21	1100040816	BOLT	3				
22	1100040825	BOLT	6				
24	1100041020	BOLT	2				
25	1100041025	BOLT	3				
26	1100041030	BOLT	2				
27	1130040006	NUT	8				
28	1130040010	NUT	14				
29	1130040008	NUT	1				
30	1134230008	NUT	3				
31	1140020006	WASHER, spring	23				
32	1140020008	WASHER, spring	17				
33	1140020010	WASHER, spring	23				
34	1140330008	WASHER	1				
35	1140330010	WASHER	3				
36	1141110006	WASHER	20				
37	1141110008	WASHER	10				
38	1141110010	WASHER	8				
39	1652022506	GROMMET	1				
41	1653916009	TRIM	1				sold by the meter
42	1703500712	HORN	1				
43	1703700013	BUZZER	1				12V
44	1711900072	CLAMP	4				
45	1711900074	CLAMP	2				
46	1711900097	CLAMP	8				
47	1711900129	CLAMP	2				
48	1711900155	RELAY	1				
49	1711900163	RELAY	2				
50	1730143340	CONTROLLER	1				
51	1910299127	ECU	1				K1H009-59090
52	1700100161	COVER	3				
53	0694205350	BRACKET	2				
54	1910299116	RELAY, grow	1				KRP421-53730
55	1110040610	SCREW, cap	2				
56	1910306098	BRACKET	2				K1J500-65320
57	1652900207	CLAMP	1				
58	1100021016	BOLT	1				
59	1652231140	BAND	4				
60	1652231250	BAND	23				
61	1652241300	BAND	2				
62	0664200029	PLATE ASSY	1				
63	1652900006	CLAMP	4				
64	1652900010	CLAMP	1				
65	0664200035	BRACKET	1				
66	0003606202	WASHER	2				
67	1703310707	TUBE	3				
68	1652201007	BAND	9				
69	0664200044	HARNESS, wiring	1				
70	0664200045	HARNESS, wiring	1				
71	1652200010	RING	2				

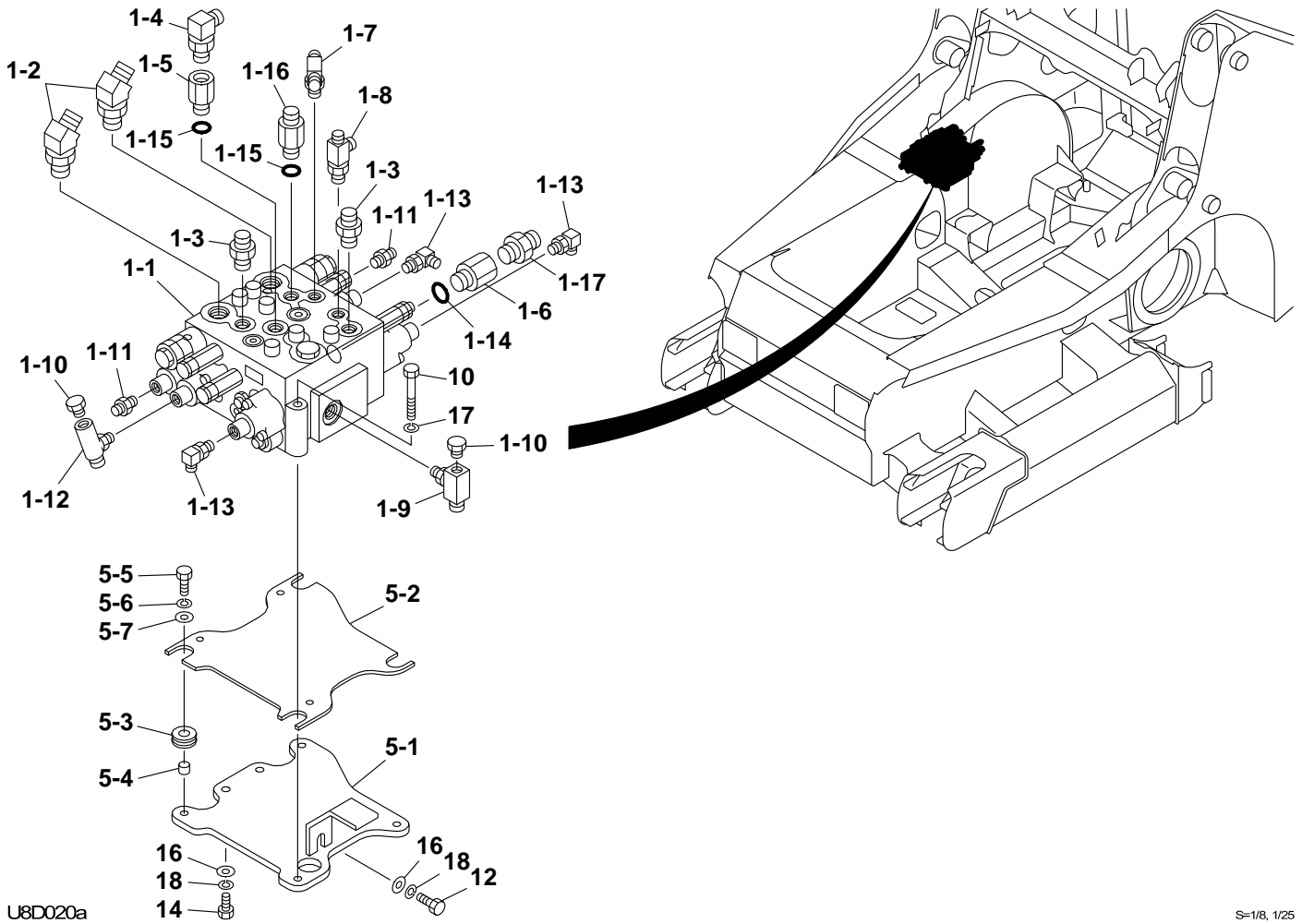
TL8 [P--TL8_E-XA] BU8Z000 S/N200800002-
MAINTENANCE LIGHT SOCKET



U8C150

S=1/20

TL8 [P--TL8_E-XA] BU8Z000 S/N200800002-
ILLUSTRATION 1/2



S=1/8, 1/25

PIPING (for pattern change)

Item	Part number	Description	Q'ty	Chan.	Serial No.	Serv.	Remarks
		PIPING ASSY, upper					
1	0003600020	WASHER	8				
2	0003600025	WASHER	2				
3	0667000004	PIPE	1				
4	0667000080	HOSE ASSY	1				18010-26116
5	0667000160	HOSE ASSY	1				18010-22055
6	0667000210	HOSE ASSY	1				
7	0667007010	PIPE	1				
8	0667001050	HOSE ASSY	1				18010-56086
9	X *****	MANIFOLD ASSY	1				
9-1	0667001241	· JOINT	1				
9-2	1501501006	· ADAPTOR	1				
9-3	1508210006	· TEE	1				
9-4	1511151006	· ADAPTOR	1				
9-5	1511051006	· ADAPTOR	1				
9-6	1540140830	· VALVE, check	1				
9-7	1515600203	· ADAPTOR	1				
10	0667005070	PIPE	1				
11	0667006010	BRACKET	1				
12	0667000019	HOSE ASSY	1				
13	0667006030	HOSE ASSY	1				
14	0667006040	HOSE ASSY	1				18015-40096
15	0880705270	HOSE	1				
16	0880707015	HOSE ASSY	1				
17	0880707020	HOSE ASSY	1				
18	0880707030	HOSE ASSY	1				
19	0880707040	HOSE ASSY	1				
20	0880707090	HOSE ASSY	1				
21	0880707120	HOSE ASSY	1				18010-23054
22	0880707130	HOSE ASSY	1				18010-23064
23	0880707170	HOSE ASSY	1				18010-22128
24	0880707180	HOSE ASSY	1				18010-22150
25	0880707200	HOSE ASSY	1				18010-22079
26	0880707600	COVER (L.H.)	1				
27	0880707610	COVER (R.H.)	1				
28	0882702480	RUBBER	4				
29	1100041025	BOLT	10				
30	1100041020	BOLT	2				
31	1100041030	BOLT	2				
32	1100141005	BOLT	2				
33	1130040010	NUT	3				
34	1140020010	WASHER, spring	15				
35	1141110010	WASHER	4				
36	1515010044	ELBOW	2				
	1420010290	· O-RING	1				
37	1515010053	ELBOW	1				
	1420010290	· O-RING	1				
38	1515100049	ELBOW	1				
	1420010290	· O-RING	1				
39	1531350040	PROTECTOR	1				sold by the meter
40	1533700054	BAND	2				
41	1533700070	BAND	10				
42	1652241300	BAND	4				
43	1654601019	TRIM	2				sold by the meter
44	0667000011	HOSE ASSY	1				19346-56085
45	0881701670	PROTECTOR	1				
46	0667007030	HOSE	1				
47	0667007020	HOSE	1				
48	0667000012	HOSE ASSY	1				18015-07255
49	0667000013	HOSE ASSY	1				18010-52135
50	0667000014	HOSE ASSY	1				18010-22150
51	1652231140	BAND	1				
52	1652231250	BAND	2				
53	0007300069	CLAMP	1				
54	0667000015	HOSE ASSY	1				18010-27080
55	0667000016	HOSE ASSY	1				18010-24068
56	X *****	FILTER ASSY	1				
56-1	1551102500	· FILTER	1				
56-1-1	1551101001	· · ELEMENT	1				
56-1-2	1551101003	· · CASE	1				

CLICK HERE TO **DOWNLOAD** THE COMPLETE MANUAL

- Thank you very much for reading the preview of the manual.
- You can download the complete manual from: www.heydownloads.com by clicking the link below



- Please note: If there is no response to CLICKING the link, please download this PDF first and then click on it.

CLICK HERE TO **DOWNLOAD** THE COMPLETE MANUAL

FUEL TANK & FUEL PIPING (2/2)

Item	Part number	Description	Q'ty	Chan.	Serial No.	Serv.	Remarks
0-1	X *****	TANK SUB ASSY, fuel	1				
1	0880813010	TANK, fuel	1				
2	0881811090	FLANGE	1				
3	0881811100	FLANGE	1				
4	0881811110	VALVE, drain	1				
5	0881811120	FLANGE	1				
6	1150110516	SCREW	5				
7	1110040616	SCREW, cap	8				
8	1140420006	WASHER, spring	8				
9	1501750002	PLUG	1				
	1420010110	· O-RING	1				
10	1420010180	O-RING	3				
11	1420010450	O-RING	2				
12	0668100003	FLANGE	1				
13	0881711350	BAND	1				
14	0881711360	COLLAR	1				
15	1100040620	BOLT	1				
16	1140020006	WASHER, spring	1				
17	0003600043	WASHER	1				
18	0881812080	RUBBER, cushion	4				
19	1120530620	SCREW	4				
20	1553202100	SENDER, fuel	1				
21	1150110510	SCREW	5				
22	1533120511	BAND	4				
23	1531207235	HOSE	1				sold by the meter
24	1531115116	PROTECTOR	2				sold by the meter
25	1531207135	HOSE	1				sold by the meter
26	1531115133	HOSE	1				sold by the meter
27	1652201008	BAND	1				
28	1530619050	HOSE	1				sold by the meter
29	1533700035	BAND	1				
30	1420010200	O-RING	1				
	U8d080						

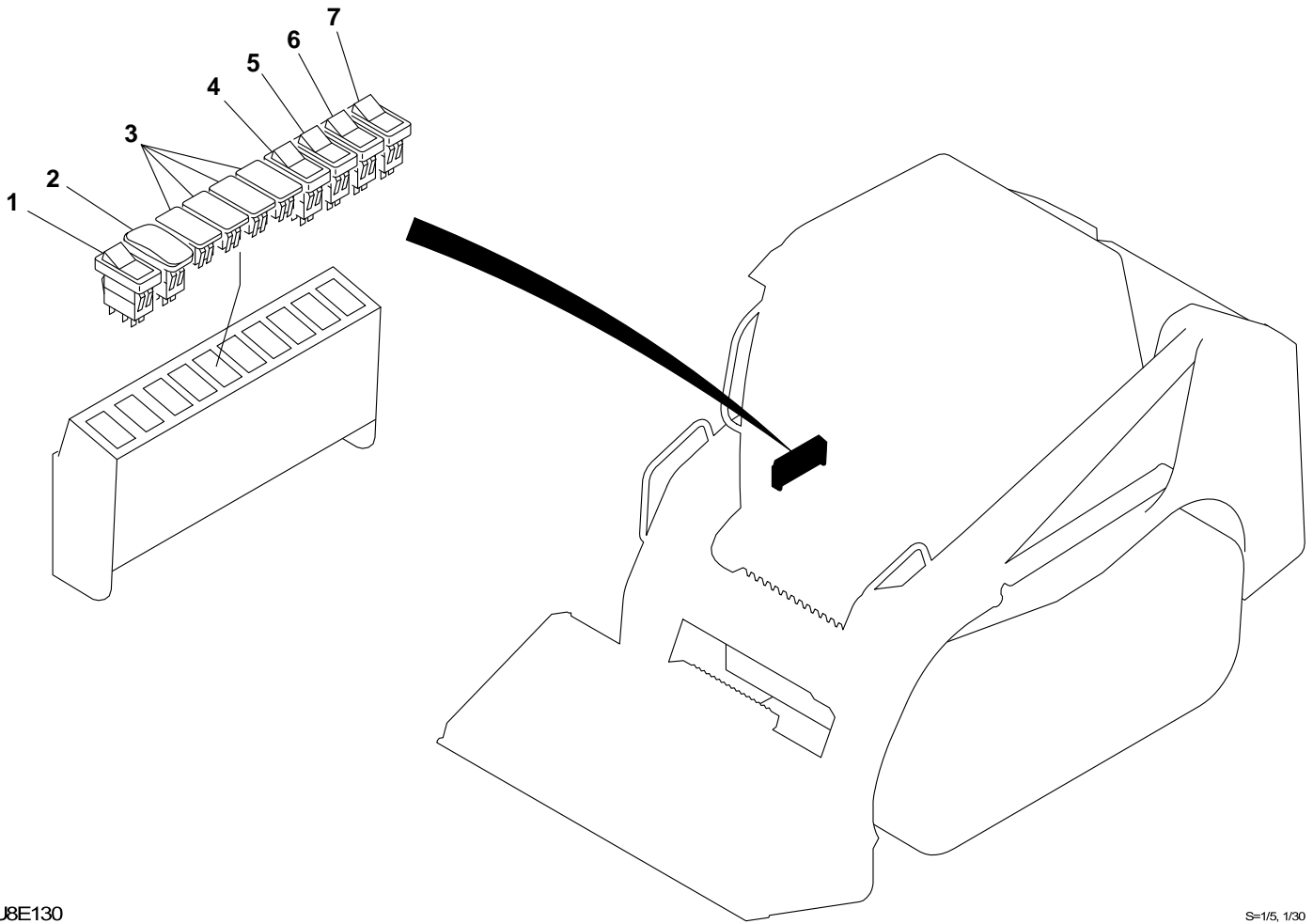
FLOOR FRAME (for pattern change)

Item	Part number	Description	Q'ty	Chan.	Serial No.	Serv.	Remarks
		FLOOR ASSY					
1	0663500001	PLATE ASSY	1				
1-1	0663500002	· PLATE	1				
1-2	0663500019	· PLATE	1				
1-3	1654313071	· SPONGE	1				sold by the meter
2	0693505550	COVER ASSY	1				
2-1	0693505551	· COVER	1				
2-2	1654344007	· SPONGE	1				sold by the meter
2-3	1654606037	· TRIM	1				sold by the meter
3	0693505610	COVER (R.H.) ASSY	1				
3-1	0693505150	· COVER (R.H.)	1				
3-2	0693505220	· SPONGE	1				
4	0693505650	COVER (L.H.) ASSY	1				
4-1	0693505160	· COVER (L.H.)	1				
4-2	0693505230	· SPONGE	1				
5	0663500012	COVER ASSY	1				
5-1	0663500013	· COVER	1				
5-2	1654312018	· SPONGE	2				sold by the meter
5-3	1654313012	· SPONGE	2				sold by the meter
5-4	1654606010	· TRIM	2				sold by the meter
6	0693505750	STAY (R.H.) ASSY	1				
6-1	0693505190	· STAY (R.H.)	1				
6-2	1654344007	· SPONGE	1				sold by the meter
7	0693505810	STAY (L.H.) ASSY	1				
7-1	0693505200	· STAY (L.H.)	1				
7-2	1654344004	· SPONGE	1				sold by the meter
7-3	1654307004	· SPONGE	1				sold by the meter
8	0563219700	REST, foot	2				
9	0563218500	COVER	2				
10	1100040825	BOLT	4				
11	1100040820	BOLT	20				
12	1100041025	BOLT	4				
13	1140020008	WASHER, spring	24				
14	1140020010	WASHER, spring	4				
15	1141110010	WASHER	4				
16	0003608252	WASHER	6				
17	1141110008	WASHER	10				
18	1652711696	SCREW	2				
19	1652201007	BAND	1				
20	0003608003	WASHER	8				
21	0881353080	MAT	1				
22	0683500030	MAT, floor	1				
23	1652533016	CAP	4				
24	0693505850	PLATE ASSY	1				
24-1	0693505860	· PLATE	1				
24-2	0693505852	· SPONGE	1				
	U8e050						

SAFETY BAR (cab)

Item	Part number	Description	Q'ty	Chan.	Serial No.	Serv.	Remarks
		BAR ASSY, safety					
1	0881463100	BAR, safety	1				
1-15	1333002020	· BUSHING	2				
2	0881461090	BRACKET (L.H.)	1				
3	0881461040	BRACKET (R.H.)	1				
4	1651101224	STOPPER	2				
5	1700009010	SWITCH, proximity	1				
6	1100041020	BOLT	4				
7	1130040012	NUT	2				
8	1100040816	BOLT	4				
9	1140020010	WASHER, spring	4				
10	1141110008	WASHER	7				
11	1141110010	WASHER	4				
12	1214000008	PIN, snap	1				
13	1140020008	WASHER, spring	4				
14	1100040830	BOLT	1				
15	1130040008	NUT	1				
16	0880463616	COVER (L.H.)	1				
17	0880463617	COVER (R.H.)	1				
18	1653900057	SPRING, gas	1				
19	1110540512	SCREW, cap	2				
20	1150410312	SCREW	2				
25	0881461025	PLATE	1				
26	0093208300	WASHER	4				
	T8e512						

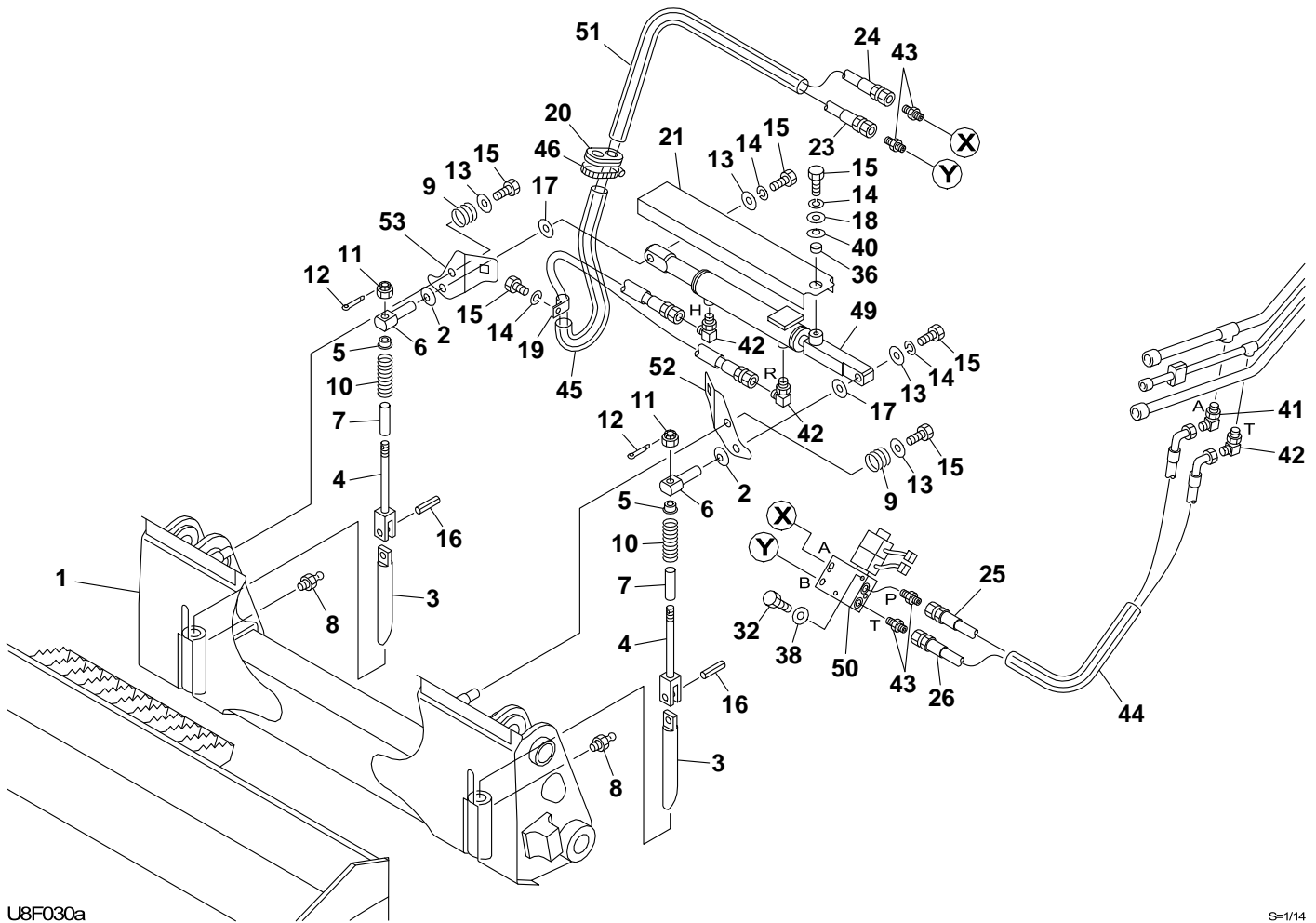
TL8 [P--TL8_E-XA] BU8Z000 S/N200800002-
SWITCHES



U8E130

S=1/5, 1/30

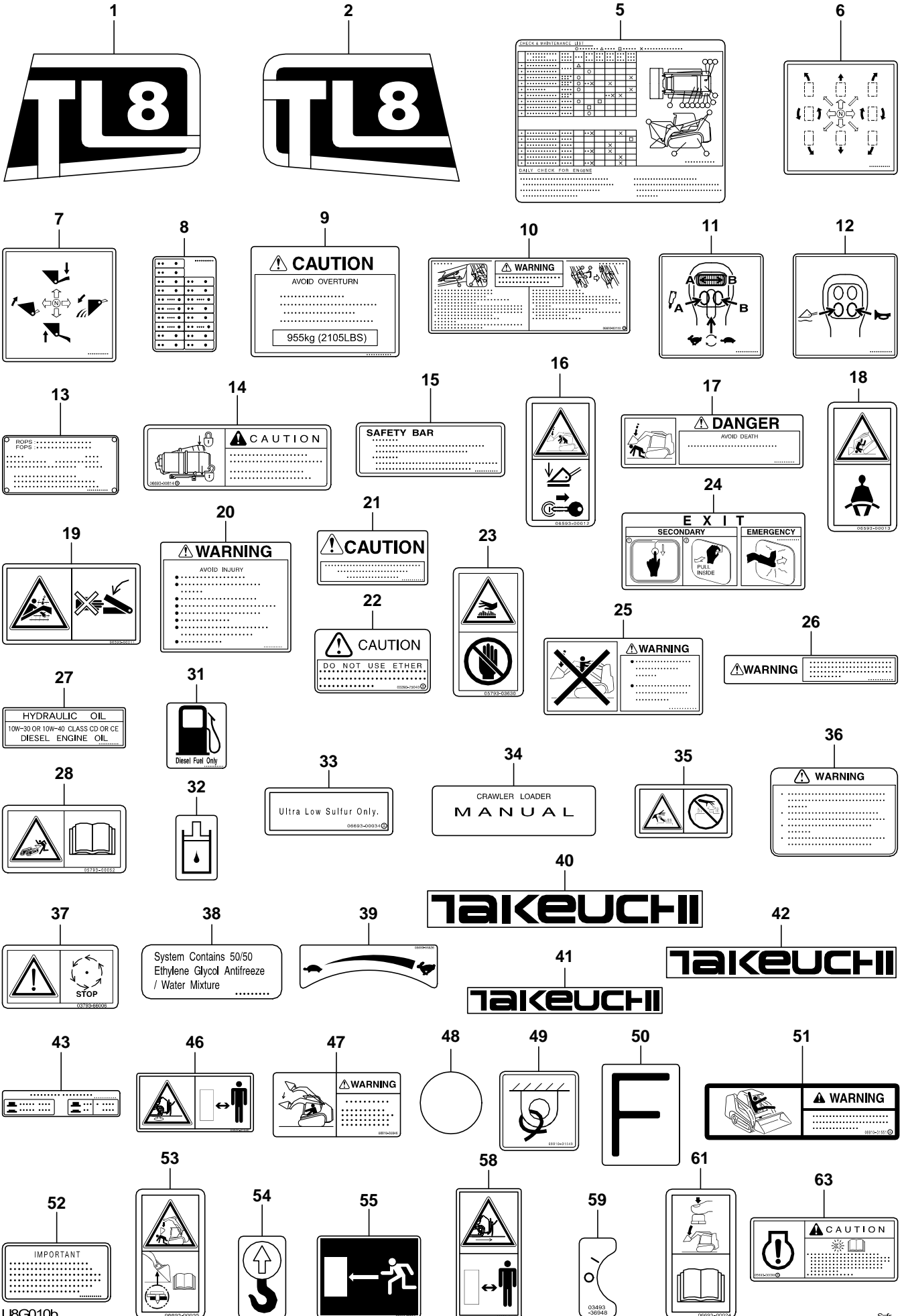
TL8 [P--TL8_E-XA] BU8Z000 S/N200800002-
ILLUSTRATION 1/2



U8F030a

S-1/14

TL8 [P--TL8_E-XA] BU8Z000 S/N200800002-
English



PAINTED COLOR							
Item	Part number	Description	Q'ty	Chan.	Serial No.	Serv.	Remarks
		PAINTED COLOR					
1	1919060105	RED	1				
	1919069105	RED	1				spray
2	1919060144	GRAY	1				
	1919069144	GRAY	1				spray
3	1919060142	LIGHT GRAY	1				
	1919069142	LIGHT GRAY	1				spray
4	1919060103	BLACK	1				
	1919069103	BLACK	1				spray
5	1919060227	YELLOW	1				FITTING, grease
	U8g050						

HANDLE (with 5 switch)

Item	Part number	Description	Q'ty	Chan.	Serial No.	Serv.	Remarks
0	1650205600	HANDLE ASSY	1				5 switches
1	1650205608	· COVER, rubber	1				
2	1650205610	· COVER, switch	1				
3	1650205605	· PLATE, switch	1				
4	1650205606	· SPACER	1				
5	1650205507	· COVER, lower	1				
6	1650205511	· PLATE, switch	1				
7	1650205516	· PIN, blanking	1				
8	1650205521	· SWITCH, micro	6				

U3h140

LIFT ARM CYLINDER

Item	Part number	Description	Q'ty	Chan.	Serial No.	Serv.	Remarks
0	1900081800	CYLINDER ASSY	2				arm
0-1	1900081899	· KIT, seal	1				
1	X 1900048232	· · PACKING, piston	1				
2	X 1410540508	· · PACKING, rod	1				
3	X 1900073033	· · SEAL, dust	1				
4	X 1411250402	· · RING, back-up	1				
5	X 1421130600	· · RING, back-up	2				
6	X 1420110600	· · O-RING	1				
7	X 1420110550	· · O-RING	1				
8	X 1420110650	· · O-RING	1				
9	1900081898	· TUBE ASSY (L.H.)	1				
10	1900015720	· · BUSHING	1				
11	1900081897	· ROD ASSY, piston	1				
12	1900015720	· · BUSHING	1				
13	1900058103	· COVER, rod	1				
14	1333004030	· BUSHING	1				
15	1900052016	· RING, cushion	1				
16	1900052015	· SPACER	1				
17	1900052026	· STOPPER	1				
18	1900058106	· PISTON	1				
19	1900064226	· RING, wear	2				
20	1390010250	· BALL, steel	1				
21	1121040608	· SET-SCREW	1				
22	1900081805	· CUSHION, rod	1				
23	1141190012	· WASHER	1				
24	1900081829	· BOLT	1				
25	1900081825	· CUSHION, rod	1				
26	1560001675	· FITTING, grease	1				
27	1560001900	· FITTING, grease	1				
28	1432200040	· SEAL, dust	4				
	T8h040						

CLICK HERE TO **DOWNLOAD** THE COMPLETE MANUAL

- Thank you very much for reading the preview of the manual.
- You can download the complete manual from: www.heydownloads.com by clicking the link below



- Please note: If there is no response to CLICKING the link, please download this PDF first and then click on it.

CLICK HERE TO **DOWNLOAD** THE COMPLETE MANUAL