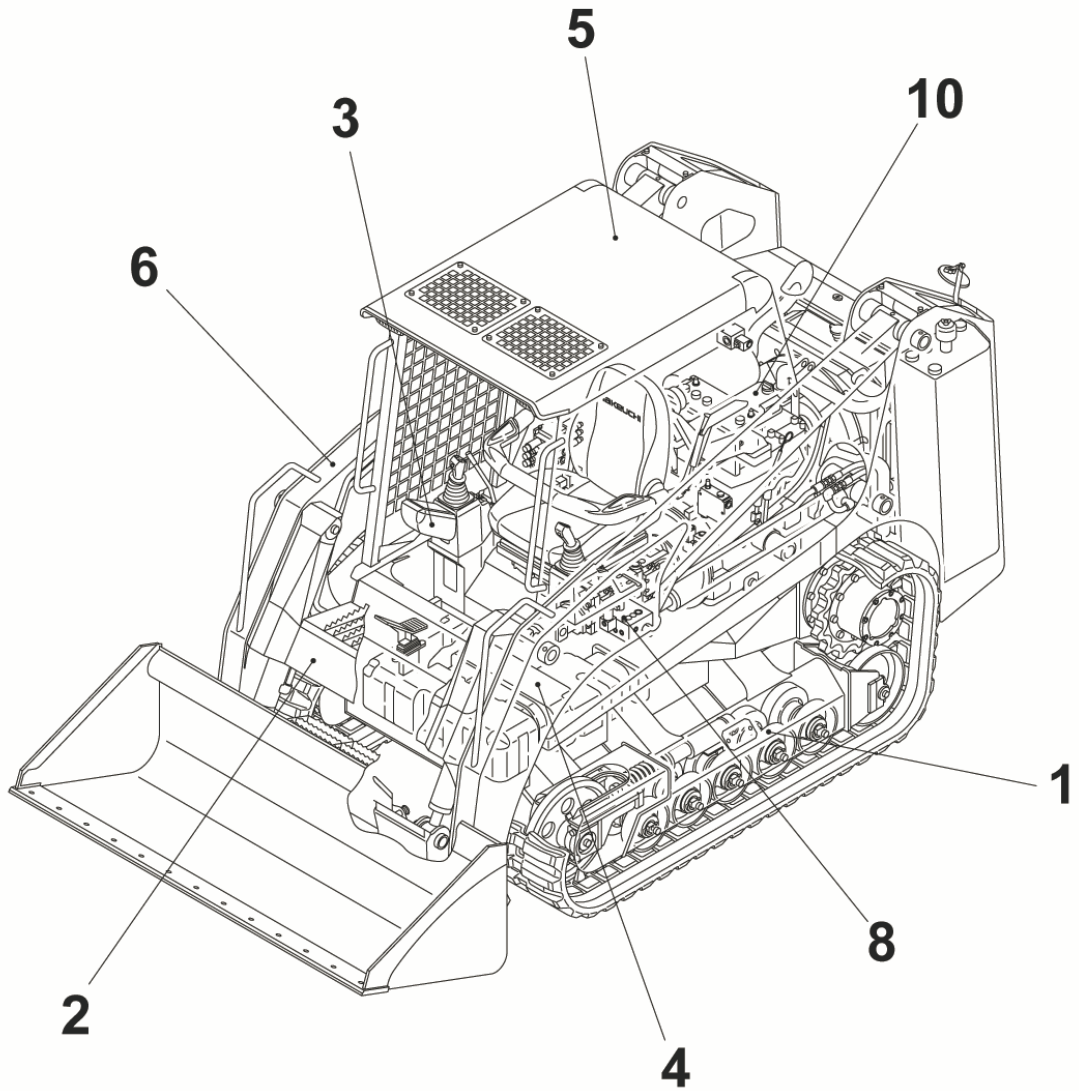


TL140

Book No. BT9Z009-2
Serial No. 21400011-



TAKEUCHI

CLICK HERE TO **DOWNLOAD** THE COMPLETE MANUAL

- Thank you very much for reading the preview of the manual.
- You can download the complete manual from: www.heydownloads.com by clicking the link below



- Please note: If there is no response to CLICKING the link, please download this PDF first and then click on it.

CLICK HERE TO **DOWNLOAD** THE COMPLETE MANUAL

TRAVEL DEVICE (21400011-21401390)

Item	Part number	Description	Q'ty	Chan.	Serial No.	Serv.	Remarks
		MOTOR ASSY, travel					X08821-60100-2
1	0882160010	SPROCKET	2				
2	1903123800	MOTOR, travel	2				
3	1100051635	BOLT	34				
4	0882160140	ADAPTOR	4				
5	0007203068	ADAPTOR	2				
6	0007203069	ADAPTOR	4				
7	1513300016	ELBOW	2				
	1420010180	• O-RING	1				
8	1420010240	O-RING	4				
9	1420010180	O-RING	2				
10	1420010110	O-RING	4				
	T9a020						

HOOK						
Item	Part number	Description	Q'ty	Chan.	Serial No.	Serv. Remarks
		HOOK ASSY				X08823-03000-1
1	0881304520	HOOK	2			
2	1110042040	SCREW, cap	4			
3	1110042070	SCREW, cap	2			
4	0881602950	SHIM	AR			t=0.5mm
5	0881600950	SHIM	AR			t=1.0mm
6	0881602960	SHIM	AR			t=3.2mm
7	0399300500	DECAL	2			
	T9b051					

ENGINE & ACCESSORIES (2/2) (21400011-21401186, 21402001-21402084)

Item	Part number	Description	Q'ty	Chan.	Serial No.	Serv.	Remarks
		ENGINE ASSY					X08824-01000-13
		ENGINE ASSY (for air conditioner)					X08824-01900-13
5	X 0882401700	BRACKET ASSY	1				
5-1	0882401710	• BRACKET	1				
5-2	1654345067	• SPONGE	1				sold by the meter
6	X 0882401750	BRACKET ASSY	1				
6-1	0882401760	• BRACKET	1				
6-2	1654345067	• SPONGE	1				sold by the meter
7	X 0882401800	FRAME ASSY	1				
7-1	0882401810	• FRAME	1				
7-2	1654344059	• SPONGE	1				sold by the meter
7-3	1654347053	• SPONGE	1				sold by the meter
7-4	1654348048	• SPONGE	1				sold by the meter
8	X 0882401500	SHROUD ASSY	1				
8-1	0882401600	• SHROUD	1				
8-2	1654606242	• TRIM	2				sold by the meter
9	0882401100	GUARD	1				
10	0882401060	SPONGE	2				
12	1654346053	SPONGE	1				sold by the meter
14	0882402560	HINGE	2				
15	0882401180	BRACKET	2				
16	0882401125	HOLDER	2				
19	0882402150	HOSE	1				
20	0882401160	HOSE	1				
26	0881402180	PIN	2				
27	0881401260	BOSS	2				
28	0880406610	SHIM	AR				t=1.6mm
29	0880406620	SHIM	AR				t=3.2mm
30	0880406630	SHIM	AR				t=4.5mm
34	1910182002	RADIATOR	1				ISUZU F18406-008F
35	1910161003	COOLER, oil	1		~21400010		
	1911300010	COOLER, oil	1		21400011~		
39	1910049039	TANK, sub	1				ISUZU 894440-9690
41	1910172016	BAND	1				ISUZU 909915-5121
42	1910172015	BAND	3				ISUZU 909915-412A
43	1911900004	VALVE, drain	1				
46	1651021040	RUBBER, cushion	2				
47	1100040816	BOLT	3				
48	1100040820	BOLT	4				
49	1100041025	BOLT	10				
51	1100041235	BOLT	4				
54	1130040008	NUT	10				
56	1141110008	WASHER	20				
57	1141110010	WASHER	6				
58	1651014003	RUBBER, cushion	2				
59	0003600003	WASHER	12				
60	0003600136	SHIM	4				
63	1140020008	WASHER, spring	19				
64	1140020010	WASHER, spring	19				
70	1214000016	PIN, snap	2				
71	1533120011	CLAMP	7				
72	1531407140	HOSE	1				sold by the meter
73	1531407065	HOSE	1				sold by the meter
74	1531211060	HOSE	1				sold by the meter
75	1531211098	HOSE	1				sold by the meter
76	1531115025	HOSE	2				sold by the meter
78	1100041030	BOLT	16				
79	0881402590	JOINT	1				
80	1700100046	SENSOR	1				
81	1533700057	CLAMP	2				
82	1652241200	BAND	1				
83	0882401210	ADAPTOR	1				
84	1130040010	NUT	1				
85	1140330010	WASHER	1				
88	1100040825	BOLT	6				
93	0003609003	WASHER	4				
94	1531115044	HOSE	2				sold by the meter

ENGINE & ACCESSORIES (1/2) (for EU, with air con. ; 21402415-21403458)

Item	Part number	Description	Q'ty	Chan.	Serial No.	Serv.	Remarks
		ENGINE ASSY (for air conditioner)					X08824-03950-4
1	0882401010	FOOT, engine (F.L.)	1				
2	0882401020	FOOT, engine (F.R.)	1				
3	0882401030	FOOT, engine (R.L.)	1				
13	0882402350	BRACKET ASSY	1				
13-1	0882402360	· BRACKET	1				
13-2	1654629015	· TRIM	1				sold by the meter
18	0882401250	CLAMP	2				
21	0882402260	HOSE	1				
22	0882401240	PIPE	1				
23	0882400190	WASHER	4				
24	0882401200	CLAMP	1				
25	0881402560	CLAMP	1				
31	0882401045	PLATE	1				
32	0882401046	PLATE	1				
33	1910182001	ENGINE	1				ISUZU 4JG1-TPA
36	1910182005	MUFFLER	1				ISUZU F-10606002-F
37	0882402300	PIPE	1				
38	1910182007	CLEANER, air	1				ISUZU F-18406001-F
40	1910172022	GASKET	1				ISUZU 8-94433604-0
44	1651030004	RUBBER, cushion	4				
45	1651030005	RUBBER, cushion	4				
48	1100040820	BOLT	4				
49	1100041025	BOLT	6				
52	1111021460	SCREW, cap	1				
53	1101141640	BOLT	4				
54	1130040008	NUT	4				
56	1141110008	WASHER	11				
57	1141110010	WASHER	10				
59	0003600003	WASHER	6				
62	1111021055	SCREW, cap	3				
63	1140020008	WASHER, spring	15				
64	1140020010	WASHER, spring	16				
66	1140020014	WASHER, spring	1				
67	1140020016	WASHER, spring	4				
69	1533300063	U-BOLT	1				
77	1111021035	SCREW, cap	4				
84	1130040010	NUT	10				
85	1140330010	WASHER	2				
86	0882401220	BRACKET	1				
87	0882401230	BRACKET	1				
88	1100040825	BOLT	5				
89	1100040835	BOLT	2				
90	1101041025	BOLT	2				
91	1101041435	BOLT	1				
92	1141110014	WASHER	1				
95	1702402001	CABLE, earth	1				
96	0882402180	SHIM	AR				t=0.5mm
97	0882402190	SHIM	AR				t=1.0mm
98	0882402200	SHIM	AR				t=2.3mm
99	0882401910	FOOT, engine (R.R.)	1				
103	0882402340	SHIM	AR				
104	1110021035	SCREW, cap	8				
105	1141550010	WASHER	12				
107	1910000104	FAN	1				
109	0882403910	PULLEY	1				
110	0882403920	V-BELT	1				

T9c131

ENGINE & ACCESSORIES (2/2) (for GEHL; 21405703-)

Item	Part number	Description	Q'ty	Chan.	Serial No.	Serv.	Remarks
106	1420000100	O-RING	1			M	
111	0882403930	BRACKET	2			M	
112	0003600011	WASHER	4			M	
	T9c250						

ENGINE & ACCESSORIES (1/2) (high flow, for GEHL; 21405511-)

Item	Part number	Description	Q'ty	Chan.	Serial No.	Serv.	Remarks
		ENGINE ASSY					X08824-04900-9
1	0882401010	FOOT, engine (F.L.)	1			M	
2	0882401020	FOOT, engine (F.R.)	1			M	
3	0882401030	FOOT, engine (R.L.)	1			M	
13	0882404720	BRACKET ASSY	1			M	
13-1	0882404810	• BRACKET	1			M	
13-2	1654629015	• TRIM	1			M	sold by the meter
18	0882401250	CLAMP	2			M	
21	0882402260	HOSE	1			M	
22	0882401240	PIPE	1			M	
23	0882400190	WASHER	4			M	
24	1533701250	BAND	1			M	
25	0881402560	BAND	1			M	
31	0882401045	PLATE	1			M	
32	0882401046	PLATE	1			M	
33	1910225001	ENGINE	1			M	ISUZU 4JG1-TPA
35	0882404740	COVER ASSY	1			M	
35-1	0882404750	• COVER	1			M	
35-2	0882404760	• ABSORBENT, noise	1			M	
35-3	1654601030	• TRIM	1			M	sold by the meter
36	1910182005	MUFFLER	1			M	ISUZU F-10606002-F
37	0882402300	PIPE	1			M	
38	1910182007	CLEANER, air	1			M	ISUZU F-18406001-F
40	1910172022	GASKET	1			M	ISUZU 8-94433604-0
44	1651030004	RUBBER, cushion	4			M	
45	1651030005	RUBBER, cushion	4			M	
48	1100040820	BOLT	6			M	
49	1100041025	BOLT	6			M	
52	1111021460	SCREW, cap	1			M	
53	1101141640	BOLT	4			M	
54	1130040008	NUT	4			M	
56	1141110008	WASHER	13			M	
57	1141110010	WASHER	10			M	
59	0003600025	WASHER	6			M	
62	1111021055	SCREW, cap	4			M	
63	1140020008	WASHER, spring	21			M	
64	1140020010	WASHER, spring	17			M	
66	1140020014	WASHER, spring	1			M	
67	1140020016	WASHER, spring	4			M	
69	1533300063	U-BOLT	1			M	
77	1111021035	SCREW, cap	4			M	
84	1130040010	NUT	10			M	
85	1140330010	WASHER	2			M	
86	0882401220	BRACKET	1			M	
87	0882401230	BRACKET	1			M	
88	1100040825	BOLT	5			M	
89	1100040835	BOLT	2			M	
90	1101041025	BOLT	2			M	
91	1101041435	BOLT	1			M	
92	1141110014	WASHER	1			M	
95	1702402001	CABLE, earth	1			M	
96	0882402180	SHIM	AR			M	t=0.5mm
97	0882402190	SHIM	AR			M	t=1.0mm
98	0882402200	SHIM	AR			M	t=2.3mm
99	0882401950	FOOT, engine (R.R.)	1			M	
103	0882402340	SHIM	AR			M	
104	1110021035	SCREW, cap	8			M	
105	1141550010	WASHER	12			M	
108	1100241050	BOLT	4			M	
110	0882404710	SPACER, fan	1			M	ISUZU 989136-4230
111	0882403910	PULLEY	1			M	
112	0882403920	V-BELT	1			M	B-45
117	1100040895	BOLT	4			M	
119	0882401970	SPACER	1			M	

T9c270

CONTROL BOX; R.H.

Item	Part number	Description	Q'ty	Chan.	Serial No.	Serv.	Remarks
		COVER ASSY (R.H.)					X08824-30000-2
1	0881430900	GAUGE ASSY, cluster	1		21400011~21400484		
	0881430910	GAUGE ASSY, cluster	1	(H)	21400485~		
1-1	0881430901	• ABSORBENT, noise	1				
1-2	0881430902	• ABSORBENT, noise	1				
1-3	0881430903	• ABSORBENT, noise	1				
1-4	1730140690	• GAUGE, cluster	1		21400011~21400484		
	1730140920	• GAUGE, cluster	1	(H)	21400485~		
1-4-1	1730140691	• • RELAY	1				12V
1-4-2	1730140782	• • GLASS	1				
1-4-3	1730140785	• • COVER	1				
1-4-4	1730140696	• • BULB	10				14V, 1.4W
1-4-5	1730140788	• • VISOR	1				
1-4-6	1730140694	• • BRACKET	1				
2	0881430802	COVER	1				
3	0881430803	INSULATOR	1				
8	1652231250	BAND	1				
10	1110020820	SCREW, cap	1				
11	1140090008	WASHER, spring	1				
12	1150420614	SCREW	4				
13	1652711698	SCREW	2				
16	0881430805	INSULATOR	1				
17	0882430100	COVER ASSY, sub (R.H.)	1				
17-1	0881430870	• COVER (R.H.)	1				
17-2	0881430880	• HARNESS, wiring	1				
17-3	0881422400	• HARNESS, wiring	1				
17-4	0870431821	• COVER	1				
17-5	1700000010	• SWITCH, lamp	2				
17-7	1700100052	• SWITCH, starter	1				
17-7-1	1700100019	• KEY	1				
17-8	1700550024	• ORNAMENT	1				
17-9	1141810012	• WASHER	2				
	T9c032						

ENGINE CONTROL

Item	Part number	Description	Q'ty	Chan.	Serial No.	Serv.	Remarks
		CONTROL ASSY, engine					X08824-10000-3
3	0880411200	LEVER	1				
4	0882410030	WIRE	1				
5	0334120100	BOOT	1				
6	0007900020	PIN	1				
7	0007900023	PIN	1				
8	1224010004	RING, retaining	1				
9	1224010006	RING, retaining	1				
10	1225110018	WASHER, conical	2				
11	1650132050	GRIP	1				
12	1110040510	SCREW, cap	2				
13	1100040830	BOLT	1				
15	1130040008	NUT	1				
16	1141110006	WASHER	1				
18	0064111700	NUT	2				
20	1141550018	WASHER	1				
21	1652231250	BAND	1				
	T9c040						

ELECTRICAL (high flow; 21403459-)

Item	Part number	Description	Q'ty	Chan.	Serial No.	Serv.	Remarks
		ELECTRICAL ASSY					X08824-21300-0
1	0880426600	HARNES, wiring	1				
2	0881421710	RESISTOR	1				
3	1120530306	SCREW	1				
4	1130040006	NUT	1				
5	1140020003	WASHER, spring	1				
6	1140020006	WASHER, spring	1				
7	1140330010	WASHER	1				
8	1141110003	WASHER	1				
9	1141110006	WASHER	1				
10	1652200003	BAND	1				
11	1652231250	BAND	16				
12	0334230130	RELAY ASSY	1				
12-1	1711900042	· RELAY	1				
12-2	1654302003	· SPONGE	1				
	T9c190						

WINDOW WASHER

Item	Part number	Description	Q'ty	Chan.	Serial No.	Serv.	Remarks
		WASHER ASSY, window					X08808-90500-1
1	1711910040	NOZZLE	1				
2	1711919300	HOSE	1				sold by the meter
3	1711910101	TANK	1		21400011~21402984		
	1711910290	TANK	1		21402985~		
3-1	1711910291	• BRACKET	1		21402985~		
4	1703210770	PROTECTOR	1				sold by the meter
5	1711910062	BRACKET	1		21400011~21402984		
6	1652231140	BAND	2				
7	1150410612	SCREW	2				
10	1711910014	JOINT	1				
11	1711919150	HOSE	1				sold by the meter
12	1703220750	PROTECTOR	1				sold by the meter
	T9c161						

VALVE & ACCESSORIES (21405079-)

Item	Part number	Description	Q'ty	Chan.	Serial No.	Serv.	Remarks
6-2	1515012040	• ELBOW	2				
6-2	1420010110	• • O-RING	1				
6-3	1512370010	• TEE	1				
6-3	1420010110	• • O-RING	1				
6-4	1512375004	• ELBOW	1				
6-4	1420010110	• • O-RING	1				
6-5	0007213028	• BUSHING	1				
7	0882500070	BRACKET	1				
8	0882500085	BRACKET	1				
9	0882500090	BRACKET	1				
10	0882500100	BRACKET	1				
11	1100040665	BOLT	2				
12	1100040816	BOLT	2				
13	1100040820	BOLT	3				
14	1100041050	BOLT	1			M	
15	1100040870	BOLT	2				
16	1100041075	BOLT	1				
17	1100041020	BOLT	6				
18	1100041225	BOLT	3				
19	1140020006	WASHER, spring	2				
20	1140020008	WASHER, spring	7				
21	1140020010	WASHER, spring	12				
22	1140020012	WASHER, spring	3				
23	1141110008	WASHER	2				
24	0003600025	WASHER	2				
25	1100041030	BOLT	4				
34	0882502100	BRACKET ASSY	1				for EU
34-1	0882502110	BRACKET	1				for EU
34-2	0882502120	PLATE	1				for EU
34-3	0882502130	CUSHION	4				for EU
34-4	0882502140	PIPE	4				for EU
34-5	1100040825	BOLT	4				for EU
34-6	1140020008	WASHER, spring	4				for EU
34-7	0003609003	WASHER	4				for EU
35	1100040825	BOLT	3			M	for EU
	T9d151						

PIPING (1/2)						
Item	Part number	Description	Q'ty	Chan.	Serial No.	Serv. Remarks
		PIPING ASSY, upper				X08827-01000-0
5	0882700050	HOSE ASSY	1			SF-AF90 1-600
6	0882700060	HOSE ASSY	1			SF-SF 1-650
7	0882700070	HOSE ASSY	1			SF-AF90 1-600
8	0882700080	HOSE ASSY	1			SF-AF90 1-1190
9	0882700090	HOSE ASSY	1			SF-AF90 1-1710
13	0882700130	HOSE ASSY	1			18010-22150
23	0882700230	HOSE ASSY	1			18010-26130
24	X *****	MANIFOLD ASSY	1			X08827-00240
24-1	0881701241	· JOINT	1			
24-2	0882700242	· TEE	1			
24-3	1540140820	· VALVE, check	1			
25	0882700295	PIPE	1			
25-4	1501820001	· PLUG	1			
26	0882700265	BRACKET	1			
27	0882700270	PLATE	1			
28	0882700280	PIPE	1			
29	0881701670	PROTECTOR	1			
30	X *****	FILTER ASSY	1			X08827-00300
30-1	1551000500	· FILTER	1			
30-1-1	1551000510	· · COVER	1			
30-1-2	1551000520	· · CARTRIDGE	1			
30-2	1511050010	· ADAPTOR	2			
30-3	1515600204	· ADAPTOR	1			
	1420010290	· · O-RING	1			
30-4	1513300025	· ELBOW	1			
	1420010290	· · O-RING	1			
30-5	1508210010	· TEE	1			
30-6	0009110220	· NIPPLE	1			
32	1100041016	BOLT	2			
33	1100041020	BOLT	3			
35	1100041030	BOLT	6			
36	1140020008	WASHER, spring	2			
38	0003600003	WASHER	6			
40	1130020008	NUT	2			
41	1533201014	U-BOLT	1			
42	1533700041	BAND	4			
43	1533700054	BAND	4			
44	1533700070	BAND	4			
45	1130040010	NUT	2			
47	0007300030	CLAMP	2			
48	X *****	COVER ASSY	1			X08817-02060
48-1	0881702070	· COVER	1			
48-2	0881702062	· ABSORBENT, noise	1			
49	0007300061	CLAMP	1			
50	0003600020	WASHER	1			
51	0881701510	HOSE	1			
52	0881701520	HOSE	1			
53	0882700530	HOSE	1			
56	1511151006	ELBOW	2		~21400010	
59	1140020010	WASHER, spring	12			
62	1652241300	BAND	4			
63	1515010044	ELBOW	2			
	1420010290	· O-RING	1			
64	0882700320	ELBOW	1			

T9d023

PIPING (1/2) (for EU; 21403459-)

Item	Part number	Description	Q'ty	Chan.	Serial No.	Serv.	Remarks
		PIPING ASSY, upper (for EU)					X08827-03000-5
5	0882700050	HOSE ASSY	1				SF-AF90 1-600
6	0882700060	HOSE ASSY	1				SF-SF 1-650
7	0882700070	HOSE ASSY	1				SF-AF90 1-600
8	0882702080	HOSE ASSY	1				SF45-AF90 1-900
9	0882702090	HOSE ASSY	1				SF-AF90 1-1750
13	0882700130	HOSE ASSY	1				18010-22150
23	0882700230	HOSE ASSY	1				18010-26130
24	X *****	MANIFOLD ASSY	1				X08827-03240
24-1	0881701241	· JOINT	1				
24-2	0882700242	· TEE	1				
24-3	1540140820	· VALVE, check	1				
25	0882700295	PIPE	1				
25-4	1501820001	· PLUG	1				
26	0882700265	BRACKET	1				
27	0882700270	PLATE	1				
28	0882700280	PIPE	1				
29	0881701670	PROTECTOR	1				
30	X *****	FILTER ASSY	1				X08827-00300
30-1	1551000500	· FILTER	1				
30-1-1	1551000510	· · COVER	1				
30-1-2	1551000520	· · CARTRIDGE	1				
30-2	1511050010	· ADAPTOR	2				
30-3	1515600204	· ADAPTOR	1				
	1420010290	· · O-RING	1				
30-4	1513300025	· ELBOW	1				
	1420010290	· · O-RING	1				
30-5	1508210010	· TEE	1				
30-6	0009110220	· NIPPLE	1				
32	1100041016	BOLT	2				
33	1100041020	BOLT	3				
35	1100041030	BOLT	6				
36	1140020008	WASHER, spring	2				
38	0003600025	WASHER	6				
40	1130020008	NUT	2				
41	1533201014	U-BOLT	1				
42	1533700041	BAND	4				
43	1533700054	BAND	4				
44	1533700070	BAND	4				
45	1130040010	NUT	2				
47	0007300030	CLAMP	2				
48	X *****	COVER ASSY	1				X08817-02060
48-1	0881702070	· COVER	1				
48-2	0881702062	· ABSORBENT, noise	1				
49	0007300061	CLAMP	1				
50	0003600020	WASHER	1				
51	0881701510	HOSE	1				
52	0881701520	HOSE	1				
53	0882700530	HOSE	1				
54	0882702490	PLATE	1				
59	1140020010	WASHER, spring	12				
62	1652241300	BAND	2				
63	1515010044	ELBOW	2				
	1420010290	· O-RING	1				
	T9d113						

HYDRAULIC TANK

Item	Part number	Description	Q'ty	Chan.	Serial No.	Serv.	Remarks
		TANK ASSY, hydraulic					X08828-01000-4
		TANK ASSY, hydraulic (high flow)			21403459~		X08828-02000-4
1	0882801300	TANK, hydraulic	1				
2	0882800200	FLANGE	1				
3	0882801410	BRACKET	1				
4	0882801420	BRACKET	1				
5	0881802400	FLANGE	1				
6	1550020150	STRAINER	1				
7	1552000800	BREATHER, air	1				
7-1	1552000830	• ELEMENT	1				
8	1553020612	GAUGE	1				
8-1	1553021650	• BOLT	2				
8-2	1553022650	• PACKING	2				
8-3	1553020603	• FLOAT	1				
9	0007256006	PLUG	2				
10	1420010290	O-RING	3				
11	1420101450	O-RING	2				
12	1100041020	BOLT	2				
13	1100041030	BOLT	13				
14	1110040620	SCREW, cap	2				
15	1140420006	WASHER, spring	2				
16	1140020010	WASHER, spring	5				
17	1141110010	WASHER	5				
18	0003600025	WASHER	10				
19	0007213034	BUSHING	1				
20	0007213010	BUSHING	1				
21	0007213016	BUSHING	1				
22	0007203022	ADAPTOR	2				
23	0007213051	BUSHING	1				
24	1515100113	ELBOW	1				
	1420010240	• O-RING	1				
25	1515100112	ELBOW	1				
	1420010180	• O-RING	1				
26	1515100111	ELBOW	1				
	1420010140	• O-RING	1				
27	1515010044	ELBOW	1				
	1420010290	• O-RING	1				
28	1420010240	O-RING	1				
29	1420010180	O-RING	1				
30	1420010140	O-RING	1				
31	1420010110	O-RING	2				
32	1100041025	BOLT	5				
35	0882731080	PIPE	1				high flow
	T9d053						

COVER (1/3) (21405379-)

Item	Part number	Description	Q'ty	Chan.	Serial No.	Serv.	Remarks
		COVER ASSY					X08828-21000-6
1	0882822800	COVER ASSY, side (L.H.)	1				X08828-22800-0
1-1	0882822850	• COVER, side (L.H.)	1				
1-2	0882822810	• ABSORBENT, noise	1				
1-3	1654311088	• SPONGE	1				sold by the meter
2	0882822900	COVER ASSY, side (R.H.)	1				X08828-22900-0
2-1	0882822950	• COVER, side (R.H.)	1				
2-2	1654311088	• SPONGE	1				sold by the meter
2-3	1653916020	• TRIM	1				sold by the meter
3	0882822960	COVER ASSY, center	1				
3-1	0882822970	• COVER	1				
3-2	0882820302	• ABSORBENT, noise	1				
3-3	1654301012	• SPONGE	1				sold by the meter
4	0882821700	DOOR ASSY, rear	1				see page (2/3)
5	0882821400	HOOD ASSY, engine	1				see page (3/3)
6	0882820160	BRACKET	1				
7	0882821007	PLATE (R.H.)	1				
8	0882822870	PLATE (L.H.)	1				
9	0882822860	TABLE	1				
10	1654344012	SPONGE	1				sold by the meter
11	0881822020	PIN	2				
12	1100041025	BOLT	1				
13	1100041020	BOLT	12				
14	1100041030	BOLT	3				
15	1130040008	NUT	2				
16	1654613022	SPONGE	1				sold by the meter
17	1140020010	WASHER, spring	18				
18	1141110008	WASHER	4				
19	1141110010	WASHER	3				
20	1210010425	PIN, split	2				
21	0003600020	WASHER	16				
22	1651101050	RUBBER	2				
23	1653900057	SPRING, gas	1				
24	1654623200	TRIM	1				sold by the meter
26	1654520290	TRIM	1				sold by the meter
27	0881822027	ROD	1				
28	1130040010	NUT	3				
29	1652053400	GROMMET	4				
30	1110041020	SCREW, cap	4				
31	1100040825	BOLT	2				
32	1141110016	WASHER	2				
33	1929900437	ROPE	1				
34	0881823034	RUBBER	1				
35	1100041035	BOLT	2				
36	1654520010	TRIM	1				sold by the meter

T9e270

COVER (3/3) (engine hood)

Item	Part number	Description	Q'ty	Chan.	Serial No.	Serv.	Remarks
0-2	0882821400	HOOD ASSY, engine	1				X08828-21400-3
1	0882821450	▪ HOOD, engine	1				
2	0882961790	▪ NOZZLE	1				
3	0880823660	▪ LEVER	1				
4	0880820080	▪ ANGLE	1				
5	0882820905	▪ ABSORBENT, noise	1				
6	0882821406	▪ ABSORBENT, noise	1				
8	0882821408	▪ INSULATOR	1				
9	1100040612	▪ BOLT	1				
10	1100040620	▪ BOLT	1				
11	1100040816	▪ BOLT	4				
12	1130040006	▪ NUT	1				
13	1140020006	▪ WASHER, spring	1				
16	0007000070	▪ SPRING	1				
17	1650202300	▪ CAP	1				
18	1653601395	▪ LOCK	1				
18-1	1700100019	▪ KEY	1				
19	1141110006	▪ WASHER	2				
20	1140020008	▪ WASHER, spring	4				
21	0003608252	▪ WASHER	4				
	T9e032						

SEAT (1/2)

Item	Part number	Description	Q'ty	Chan.	Serial No.	Serv.	Remarks
		SEAT ASSY					X08813-40000-2
1	1914100079	SEAT	1				see page (2/2)
2	1100040820	BOLT	4				
3	1140020008	WASHER, spring	4				
4	1141110008	WASHER	4				
	T7e051						

SAFETY BAR						
Item	Part number	Description	Q'ty	Chan.	Serial No.	Serv. Remarks
		BAR ASSY, safety				X08804-64000-2
1	0881463100	BAR, safety	1			
1-15	1333002020	• BUSHING	2			
2	0881461090	BRACKET(L.H.)	1		~21400007	
	0881463010	BRACKET(L.H.)	1		21400008~	
3	0881461040	BRACKET(R.H.)	1		~21400007	
	0881463020	BRACKET(R.H.)	1		21400008~	
4	1651101224	STOPPER	2			
5	1700009010	SWITCH, proximity	1			
6	1100041020	BOLT	4			
7	1130040012	NUT	2			
8	1100040816	BOLT	4			
9	1140020010	WASHER, spring	4			
10	1141110008	WASHER	5			
11	1141110010	WASHER	4			
12	1214000008	PIN, snap	1		~21400007	
	1100040820	BOLT	1		21400008~	
13	1140020008	WASHER, spring	4			
14	1100240825	BOLT	1			
15	1130040008	NUT	2			
16	0880463616	COVER(L.H.)	1		~21400007	
	0880464010	COVER(L.H.)	1		21400008~	
17	0880463617	COVER(R.H.)	1		~21400007	
	0880464020	COVER(R.H.)	1		21400008~	
18	1653900057	SPRING, gas	1			
19	1110540512	SCREW, cap	2			
20	1150410312	SCREW	2			
25	0881461025	PLATE	1		~21400007	
	0881463050	PLATE	1		21400008~	
26	0093208300	WASHER	4			
	T9e052					

CANOPY (2/3)

Item	Part number	Description	Q'ty	Chan.	Serial No.	Serv.	Remarks
0	0880845300	CANOPY ASSY	1				X08808-45300-1
17	0880865106	• ABSORBENT, noise	1				
48	1654011703	• CAP	1				
50	0880865121	• BRACKET	1				
53	1100090820	• BOLT	3				
54	1654011705	• WASHER	3				
74	0880865130	• COVER	1				
75	1150420512	• SCREW	8				
76	0880865131	• MIRROR, rearview	2				
77	0880865132	• COVER	1				
96	1654011704	• CAP	1				
111	0880865151	• ABSORBENT, noise	1				
112	0880865152	• ABSORBENT, noise	1				
113	0880865153	• ABSORBENT, noise	1				
114	0880865154	• ABSORBENT, noise	1				
115	0880865155	• ABSORBENT, noise	1				
116	0880865156	• ABSORBENT, noise	1				
117	0880865157	• ABSORBENT, noise	1				
118	0880865158	• ABSORBENT, noise	1				
120	0880865159	• SEAL	1				
123	1130040008	• NUT	6				
132	1654011701	• GROMMET	1				
138	0880845320	• CASE ASSY	1				
138-1	0880845321	• • CASE	1				
138-2	1653601395	• • LOCK	1				
138-2-1	1700100019	• • KEY	1				
138-3	1653916058	• • TRIM	1				sold by the meter
139	1141550008	• WASHER	4				
	T8e200						

CANOPY MOUNT (for GEHL & MUSTANG; 21400011-21400694)

Item	Part number	Description	Q'ty	Chan.	Serial No.	Serv.	Remarks
		CANOPY MOUNT					X08828-41000-2
1	0880845400	CANOPY ASSY	1				
2	0881842030	BOLT ASSY	2				
3	0881842050	RUBBER, cushion	2				
4	0881841060	PIN ASSY	1				
4-1	0881841061	· PIN	1				
4-2	1652735886	· CHAIN	1				
4-3	1214000016	· PIN, snap	2				
5	0881840008	COLLAR	4				
6	0880840070	WASHER	4				
7	0881842040	RUBBER, cushion	2				
8	0003900044	WASHER	2				
9	0343503200	PIN	2				
10	0004010025	PIN	2				
11	1100041225	BOLT	4				
12	1100141610	BOLT	2				
13	1130040016	NUT	4				
14	1132080016	NUT	2				
15	1140020012	WASHER, spring	4				
16	1141110010	WASHER	4				
17	1210010432	PIN, split	2				
18	1214000008	PIN, snap	4				
19	1651005030	RUBBER, cushion	2				
20	1653900059	SPRING, gas	2				
21	0003600165	WASHER	4				
	T9e081						

CANOPY (1/2) (for GEHL & MUSTANG; 21400695-)

Item	Part number	Description	Q'ty	Chan.	Serial No.	Serv.	Remarks
0	0880844000	CANOPY ASSY	1		21400695~21405954	M	X08808-44000-9
	0880846600	CANOPY ASSY	1	(H)	21405955~	M	X08808-46600-0
1	0880844100	• CANOPY	1		21400695~21405954	M	
	0880846700	• CANOPY	1	(H)	21405955~	M	
2	0881842002	• GLASS	1			M	
3	0880844003	• GLASS	1			M	
4	0880844004	• PLATE	1			M	
10	0881842010	• ABSORBENT, noise	1			M	
11	0880844011	• ABSORBENT, noise	1			M	
12	0881842012	• ABSORBENT, noise (L.H.)	1			M	
13	0881842013	• ABSORBENT, noise (R.H.)	1			M	
14	0880843514	• ABSORBENT, noise	1			M	
15	0880844015	• ABSORBENT, noise	1			M	
16	0880841040	• RING, pull	1			M	
17	0880841080	• HANDLE	1			M	
18	0881842017	• PLATE	1			M	
24	1100040816	• BOLT	6			M	
29	1140020008	• WASHER, spring	6			M	
31	1141110008	• WASHER	6			M	
36	1654252253	• H-RUBBER	1			M	sold by the meter
37	1654252200	• H-RUBBER	1			M	sold by the meter
40	1703006600	• LAMP ASSY	2			M	
40-1	1703006605	• • BULB	1			M	12V, 55W
41	1654623120	• TRIM	1			M	sold by the meter
42	1654601153	• TRIM	1			M	sold by the meter
43	1654350057	• SPONGE	2			M	sold by the meter
44	1150420412	• SCREW	2			M	
47	1100041020	• BOLT	2			M	
48	1140020010	• WASHER, spring	2			M	
49	1653916038	• TRIM	1			M	sold by the meter
50	1654601060	• TRIM	1			M	sold by the meter

T9e360

CAB (3/6)							
Item	Part number	Description	Q'ty	Chan.	Serial No.	Serv.	Remarks
0	0880865100	CAB ASSY	1				X08808-65100-5
	0882861100	CAB ASSY (for EU)	1				X08828-61100-0
21	1654011500	• HANDLE	1				
22	1120690520	• SCREW	2				
23	0880865161	• BRACKET	1				
24	1150420512	• SCREW	2				
25	1100091020	• BOLT	2				
26	1654011706	• WASHER	2				
27	0880865162	• LEVER	1				
28	0880865110	• COVER	1				
30	0880865112	• SPRING	2				
31	1654010800	• PIN	1				
32	1131242006	• NUT	2				
33	0438601760	• COVER	1				
34	1214000006	• PIN, snap	4				
35	1150410612	• BOLT, sems	1				
36	1653916005	• TRIM	2				sold by the meter
37	0880865163	• CABLE	1				
38	0880865164	• CABLE	1				
39	0880865165	• CABLE	1				
41	1654011740	• LATCH	1				
42	0880865118	• PLATE	1				
43	1100090616	• BOLT	4				
44	0880865166	• PLATE	1				
45	1100240630	• BOLT	1				
46	1131242006	• NUT	1				
47	0880865167	• PLATE	1				
48	0880865168	• PLATE	1				
49	0880865169	• SHIM	1				
50	0880865121	• BRACKET	1				
51	1653384630	• LOCK	1				
52	0880865123	• PLATE	1				
53	1100090820	• BOLT	5				
54	1654011705	• WASHER	5				
58	0880865170	• PIN	1				
63	1652042030	• GROMMET	1				
69	1211000212	• PIN	2				
70	1654011711	• WASHER	4				
74	0880865130	• COVER	1				
75	1150420512	• SCREW	6				
77	0880865132	• COVER	1				
106	0880865171	• BRACKET	1				
107	1120630512	• SCREW	1				
110	1652221050	• BAND	2				
113	0880865153	• ABSORBENT, noise	1				
120	0880865159	• SEAL	1				
122	1131242005	• NUT	1				
132	1654011701	• GROMMET	1				
133	1150420512	• SCREW	1				
136	0880865160	• PACKING	2				

T9e310

CLICK HERE TO **DOWNLOAD** THE COMPLETE MANUAL

- Thank you very much for reading the preview of the manual.
- You can download the complete manual from: www.heydownloads.com by clicking the link below



- Please note: If there is no response to CLICKING the link, please download this PDF first and then click on it.

CLICK HERE TO **DOWNLOAD** THE COMPLETE MANUAL

CAB KIT (2/5) (for US, front door)

Item	Part number	Description	Q'ty	Chan.	Serial No.	Serv.	Remarks
0	0880865500	CAB KIT	1		21400011~21402984		X08808-65500-8
	0882860500	CAB KIT	1		21402985~		X08828-60500-0
0-1	0880865600	· SUB CAB KIT (1/5)~(4/5)	1		21400011~21402984		X08808-65600-2
	0882860600	· SUB CAB KIT (1/5)~(4/5)	1	(H)	21402985~		X08828-60600-0
0-2	0880865300	· · DOOR ASSY, front	1				
1	0880865340	· · · DOOR, front	1				
2	0880865301	· · · GLASS	1				
3	0880865302	· · · MOTOR, wiper	1				
4	0880865303	· · · ARM, wiper	1				
5	0880865304	· · · BLADE	1				
6	0880865305	· · · ROLLER	4				
7	0880865306	· · · BOLT	2				
8	1130040012	· · · NUT	2				
9	1654615210	· · · DAM	2				sold by the meter
10	1654631054	· · · SEAL	1				sold by the meter
11	1653916045	· · · TRIM	2				sold by the meter
12	0880865307	· · · BOLT	1				
13	1654011707	· · · WASHER	1				
14	0880865308	· · · PLATE	1				
15	1100090620	· · · BOLT	2				
16	0880865309	· · · SHIM	4				
17	0880865310	· · · COLLAR	1				
18	0880865311	· · · COLLAR	1				
19	0880865312	· · · HANDLE	2				
20	0880865313	· · · NUT	2				
21	0880865314	· · · GROMMET	4				
22	0880865315	· · · WASHER	2				
24	0880865316	· · · SHEET	2				
25	0880865317	· · · LATCH	1				
26	1100090820	· · · BOLT	2				
27	1654011705	· · · WASHER	2				
28	1654615013	· · · DAM	1				sold by the meter
29	1654615020	· · · DAM	1				sold by the meter
30	1150420620	· · · SCREW	4				
31	1130190012	· · · NUT	1				
	T9e190						

REARVIEW MIRROR (-21400010)

Item	Part number	Description	Q'ty	Chan.	Serial No.	Serv.	Remarks
		MIRROR ASSY, rearview					X08818-72000-0
1	1656500110	MIRROR	2				
2	1654006000	PIVOT	2				
	T7e100						

AIR CONDITIONER (2/5) (condenser; 21400011-21404706)

Item	Part number	Description	Q'ty	Chan.	Serial No.	Serv.	Remarks
0	0882460200	CONDENSER ASSY	1				X08824-60200-3
1	1911505931	· HOSE ASSY	1				
	1911505601	· · O-RING	1				
2	1911505932	· HOSE ASSY	1				
	1911505601	· · O-RING	1				
3	1911505933	· HOSE ASSY	1				
	1911505602	· · O-RING	1				
4	1911505934	· HOSE ASSY	1				
	1911505603	· · O-RING	1				
5	1911506005	· BRACKET	1				
6	1911505511	· DRYER	1				
7	1911505514	· SWITCH, pressure	1				
8	1911506080	· CONDENSER ASSY	1				see page (4/5)
9	1911505910	· HARNESS, wiring	1				
9-1	1911506041	· · RELAY	2				
10	0882460250	· BRACKET	1		21400011~21400604		
11	1100040616	· BOLT	2		21400011~21400604		
	1100040612	· BOLT	2		21400605~		
12	1100040820	· BOLT	4				
14	1140020006	· WASHER, spring	2				
15	1140020008	· WASHER, spring	4				
16	1652201008	· BAND	2				
17	1141110006	· WASHER	2				
18	1141110008	· WASHER	4				
19	1652231250	· BAND	10				
21	0882460210	· INSULATION	1				
22	1533700057	· BAND	3				
23	1711900097	· CLAMP	1				
24	1130040010	· NUT	1				
25	1140020010	· WASHER, spring	1				
	T9e114						

Item	Part number	Description	ARM Q'ty	Chan.	Serial No.	Serv.	Remarks
		ARM ASSY					X08826-00000-12
1	0882601100	ARM	1		21400011~21400568		
	0882601700	ARM	1		21400569~		
1-17	0002400040	• BUSHING	4				
1-18	1432200045	• SEAL, dust	4				
1-19	0002400068	• BUSHING	2				
1-20	1432200040	• SEAL, dust	4				
2	0882601500	LOCK	1		21400011~21400741		
	0882601550	LOCK	1	(H)	21400742~		
3	0881604650	BRACKET	1				
4	1900085600	CYLINDER, arm	2				
5	1900085700	CYLINDER, bucket (R.H.)	1				
6	1900085800	CYLINDER, bucket (L.H.)	1				
7	0011504275	PIN	2				
8	0001603270	PIN	2				
9	0001603135	PIN	2				
10	0001090003	PIN	2				
11	0001673002	PIN	2				
12	0011904008	PIN	2				
13	0007000114	SPRING	1				
14	0881604670	PIN ASSY	1				
16	0881604580	URETHANE	1				
17	0881602017	RUBBER	1				
18	0880606018	RUBBER	1				
19	0882600800	STEP	1	(L)	21400011~21400382		
	0880606800	STEP	1	(H)	21400383~		
20	1652520008	BAND	6				
21	1100040830	BOLT	6				
22	1100040816	BOLT	3				
24	1103041075	BOLT	4				
25	1103041095	BOLT	6				
27	1140020008	WASHER, spring	3				
28	0003608252	WASHER	1				
29	1130240010	NUT	24				
30	0003600176	SHIM	AR				t=1.0mm
31	1560001000	FITTING, grease	4				
32	1560001675	FITTING, grease	2				
33	1141110008	WASHER	2				
34	0880606034	RUBBER	1				
35	0003600172	SHIM	AR				t=1.0mm
36	1103041080	BOLT	2				
37	0881604036	RUBBER	2				
38	1654629020	TRIM	2				sold by the meter
39	0881962656	BOLT	2				
40	0881604035	NUT	2				
41	0003608252	WASHER	6				
42	0003600035	SHIM	AR				t=0.2mm
43	0003600036	SHIM	AR				t=0.5mm
44	0003600171	SHIM	AR				t=0.2mm
45	0003600091	SHIM	AR				t=0.5mm
46	0003600184	SHIM	AR				t=3.2mm
47	0003600185	SHIM	AR				t=4.5mm
	T9f015						

PIPING; ARM (2/2) (21400569-)

Item	Part number	Description	Q'ty	Chan.	Serial No.	Serv.	Remarks
		PIPING ASSY					X08827-32000-9
		PIPING ASSY (with coupler)					X08827-32300-9
7	0882732010	PIPE	1				
8	0882732020	PIPE	1				
10	1110040865	SCREW, cap	2				with coupler
14	1100041025	BOLT	6				
15	1140020008	WASHER, spring	2				with coupler
16	1140020010	WASHER, spring	7				without coupler
	1140020010	WASHER, spring	9				with coupler
17	1141110008	WASHER	2				with coupler
22	0882730220	HOSE ASSY	1				18015-70070
38	0882732040	HOSE ASSY	1				G-G fO15-720
39	0881733550	CLAMP	1				
40	0880738130	CLAMP	2				
41	0880738140	RUBBER	1				
42	0880738150	RUBBER	2				
43	1130040008	NUT	2	a	21402553~		with coupler
44	1100041020	BOLT	2	a	21402553~		with coupler
45	0882732050	HOSE ASSY	1				18010-89119
46	0880738160	BRACKET	1	A, a			with coupler
47	1901747000	COUPLER, block	1				with coupler
47-1	1901747001	• ADAPTOR	2				with coupler
47-2	1901747002	• ADAPTOR	1				with coupler
47-3	1901747003	• ADAPTOR	1				with coupler
47-4	1901747004	• ADAPTOR	1				with coupler
48	0007236045	ADAPTOR	2				with coupler
49	0007203017	NIPPLE	1				with coupler
	1420310906	• O-RING	1				
50	1100041016	BOLT	1				
51	1511410003	ADAPTOR	1				with coupler
	1420010140	• O-RING	1				
52	1501750003	PLUG	1				without coupler
	1420010140	• O-RING	1				
53	1501750004	PLUG	2				without coupler
	1420010180	• O-RING	1				
54	1711900071	CLAMP	1				
56	1420310906	O-RING	1				with coupler
57	0882732030	PIPE	1				
59	1420010290	O-RING	1				
60	0007213068	BUSHING	1				
61	1515600577	ADAPTOR	1				
	1420010180	• O-RING	1				
62	1141110010	WASHER	1				
65	1652533018	CAP	2				without coupler
66	0003608252	WASHER	2	a	21402553~		with coupler
67	0003600020	WASHER	2	a	21402553~		with coupler

<<NOTE>>

"A" is interchangeable with SET "a".

T9f063

PIPING; ARM (2/2) (high flow, for GEHL & MUSTANG; 21403459-)

Item	Part number	Description	Q'ty	Chan.	Serial No.	Serv.	Remarks
		PIPING ASSY					X08827-33500-5
16	1140020010	WASHER, spring	2				
38	0882733380	HOSE ASSY	1				18015-50069
43	0882733430	HOSE ASSY	1				18015-50069
45	0882732050	HOSE ASSY	1				18010-89119
46	0882733460	HOSE ASSY	1				18017-71125
47	0882733470	HOSE ASSY	1		21403459~21405306		18017-71205
	0882733930	HOSE ASSY	1		21405307~		18017-77145
48	0882733480	HOSE ASSY	1				18010-56107
49	0882733490	HOSE ASSY	1				18010-24102
50	1100041016	BOLT	1				
54	1711900071	CLAMP	1				
55	1100041020	BOLT	1		21405307~		
56	0003600025	WASHER	1		21405307~		
58	0882733920	PIPE	1		21405307~		
59	1420010290	O-RING	1				
60	0007213068	BUSHING	1				
61	1512373010	ADAPTOR	1				
	1420010180	• O-RING	1				
62	1141110010	WASHER	1				
63	1513940006	PLUG	2				
64	1513940003	PLUG	1				
65	1652533018	CAP	2				
66	1512340004	ELBOW	1		21403459~21405306		
	1515010042	ELBOW	1		21405307~		
	1420010180	• O-RING	1				
67	0007236041	ADAPTOR	1				
	1420010180	• O-RING	1				
68	1901743200	VALVE,check	1				
69	1501750002	PLUG	1				
	1420010110	• O-RING	1				
70	1513390044	TEE	1		21405307~		
71	1420010180	O-RING	1				
	T9f111						

DECAL (canopy)							
Item	Part number	Description	Q'ty	Chan.	Serial No.	Serv.	Remarks
43	0881030043	• DECAL (English)	1				
43	0881030243	• DECAL (French)	1				
43	0881030343	• DECAL (Italian)	1				
43	0881030543	• DECAL (German)	1				
43	0881032224	• DECAL (Russian)	1			M	
44	X *****	• SCREW	16				
45	X *****	• DECAL	1				for EU
46	0359309100	• DECAL (French)	1				
46	0359310100	• DECAL (Italian)	1				
46	0359308100	• DECAL (German)	1				
46	0399356001	• DECAL (Russian)	1			M	
47	0881030046	• DECAL (English)	2				
47	0881031747	• DECAL (French)	2				
47	0881031847	• DECAL (Italian)	2				
47	0881031947	• DECAL (German)	2				
47	0881032225	• DECAL (Russian)	2			M	
48	0874030360	• DECAL	2				
49	0881031549	• DECAL	4				
50	0399300400	• DECAL	1				
51	0881031551	• DECAL (English)	1				
51	0881031751	• DECAL (French)	1				
51	0881031851	• DECAL (Italian)	1				
51	0881031951	• DECAL (German)	1				
51	0881032226	• DECAL (Russian)	1			M	
52	X *****	• DECAL	1				for EU
52	0882030052	• DECAL	1				for US
53	X *****	• DECAL	1				for EU
54	0882030052	• DECAL (English)	1				
54	0882030254	• DECAL (French)	1				
54	0882030354	• DECAL (Italian)	1				
54	0882030454	• DECAL (German)	1				
54	0882031602	• DECAL (Russian)	1			M	
55	0882031159	• DECAL	2				for EU
56	0339376240	• DECAL (English)	1				
56	0339379440	• DECAL (French)	1				
56	0339379540	• DECAL (Italian)	1				
56	0339376340	• DECAL (German)	1				
56	0579300613	• DECAL (Russian)	1			M	
57	0399300500	• DECAL	2				
	T9g018						

DECAL (cab)							
Item	Part number	Description	Q'ty	Chan.	Serial No.	Serv.	Remarks
43	0881030043	• DECAL (English)	1				
43	0881030243	• DECAL (French)	1				
43	0881030343	• DECAL (Italian)	1				
43	0881030543	• DECAL (German)	1				
43	0881032224	• DECAL (Russian)	1			M	
44	X *****	• SCREW	16				
45	X *****	• DECAL	1				for EU
46	0359309100	• DECAL (French)	1				
46	0359310100	• DECAL (Italian)	1				
46	0359308100	• DECAL (German)	1				
46	0399356001	• DECAL (Russian)	1			M	
47	0881030046	• DECAL (English)	2				
47	0881031747	• DECAL (French)	2				
47	0881031847	• DECAL (Italian)	2				
47	0881031947	• DECAL (German)	2				
47	0881032225	• DECAL (Russian)	2			M	
48	0874030360	• DECAL	2				
49	0881031549	• DECAL	4				
50	0399300400	• DECAL	1				
51	0881031551	• DECAL (English)	1				
51	0881031751	• DECAL (French)	1				
51	0881031851	• DECAL (Italian)	1				
51	0881031951	• DECAL (German)	1				
51	0881032226	• DECAL (Russian)	1			M	
52	X *****	• DECAL	1				for EU
53	X *****	• DECAL	1				for EU
54	0881031554	• DECAL (English)	1				
54	0881031754	• DECAL (French)	1				
54	0881031854	• DECAL (Italian)	1				
54	0881031954	• DECAL (German)	1				
54	0881032227	• DECAL (Russian)	1			M	
55	0881031556	• DECAL	1				
57	0881031557	• DECAL	1				
58	0882030052	• DECAL (English)	1				
58	0882030254	• DECAL (French)	1				
58	0882030354	• DECAL (Italian)	1				
58	0882030454	• DECAL (German)	1				
58	0882031602	• DECAL (Russian)	1			M	
59	0882031159	• DECAL	2				for EU
60	0882031160	• DECAL	1				
61	0339376240	• DECAL (English)	1				
61	0339379440	• DECAL (French)	1				
61	0339379540	• DECAL (Italian)	1				
61	0339376340	• DECAL (German)	1				
61	0579300613	• DECAL (Russian)	1			M	
62	0399300500	• DECAL	2				
	T9g106						

DECAL (high flow, for GEHL & MUSTANG; 21403459-)

Item	Part number	Description	Q'ty	Chan.	Serial No.	Serv.	Remarks
0	0881032400	DECAL SET (GEHL & MUSTANG)	1				X08810-32400-1
1	0881031010	· DECAL	1				
3	0881031030	· DECAL	2				
	T9g191						

CONTROL VALVE

Item	Part number	Description	Q'ty	Chan.	Serial No.	Serv.	Remarks
0	1901042100	VALVE ASSY, control	1				
1	1901038106	▪ ROD, tie	3				
2	1901038108	▪ HOUSING, outlet	1				
3	1901038125	▪ VALVE ASSY	6				over load
4	1420010220	▪ ▪ O-RING	1				
5	1130250010	▪ NUT	6				
6	1901038122	▪ VALVE ASSY	1				main relief
7	1420010120	▪ ▪ O-RING	1				
8	1420010220	▪ ▪ O-RING	1				
9	1901038103	▪ HOUSING, inlet	1				
10	1901042112	▪ BLOCK ASSY, NO. 1	1				lift arm
11	1901042113	▪ BLOCK ASSY, NO. 2	1				bucket
12	1901042119	▪ BLOCK ASSY, NO. 3	1				service
	T9h010						

CONTROL VALVE (high flow; 21403459-)

Item	Part number	Description	Q'ty	Chan.	Serial No.	Serv.	Remarks
0	1901039500	VALVE ASSY, control	1				
0-1	1901039511	▪ BLOCK ASSY, solenoid	1				
1	1901039556	▪ ▪ SPRING	1				
2	1901039513	▪ ▪ PLUG	1				
3	1901039526	▪ ▪ HOLDER, spring	1				
4	1901039557	▪ ▪ SPRING	1				
5	1901039525	▪ ▪ SOLENOID	1				
6	1901720720	▪ ▪ PLUG	1				
7	1110040510	▪ ▪ SCREW, cap	2				
8	1420000160	▪ ▪ O-RING	1				
9	1420010110	▪ ▪ O-RING	1				
10	1420010160	▪ ▪ O-RING	1				
11	1420110650	▪ ▪ O-RING	1				
12	1501810000	▪ ▪ PLUG	1				
13	1901039527	▪ ▪ PLUNGER	1				
14	1901039521	▪ ▪ VALVE, relief	1				
15	1420010120	▪ ▪ ▪ O-RING	1				
16	1420010160	▪ ▪ ▪ O-RING	1				
0-2	1901039510	▪ BLOCK ASSY	1				
17	1513500008	▪ ▪ PLUG	1				
18	1901038166	▪ ▪ COVER	2				
19	1901038131	▪ ▪ END, spool	1				
20	1901035151	▪ ▪ HOLDER, spring	2				
21	1901038157	▪ ▪ SPRING	1				
22	1901720720	▪ ▪ PLUG	1				
23	1110020620	▪ ▪ SCREW, cap	4				
24	1420010110	▪ ▪ O-RING	1				
25	1420110650	▪ ▪ O-RING	1				
26	1420310023	▪ ▪ O-RING	2				
27	1420310908	▪ ▪ O-RING	1				
28	1901039507	▪ ROD, tie	3				
29	1901039504	▪ HOUSING, inlet	1				
30	1130050010	▪ NUT	6				
	T7h260						

PILOT VALVE (L.H.) (21400011-21404476)

Item	Part number	Description	Q'ty	Chan.	Serial No.	Serv.	Remarks
0	1901739900	VALVE ASSY, pilot	1				LEFT
0-1	1901721199	• KIT, seal	1				
1	X 1901715103	• • WASHER	2				
2	X 1420500900	• • O-RING	1				
3	X 1901710914	• • SEAL	4				
4	X 1420010200	• • O-RING	4				
5	1901715102	• PLATE	1				
6	1110020830	• SCREW, cap	2				
7	1213000510	• PIN, spring	1				
8	1901710905	• BUSHING	1				
9	1901735608	• PLATE	1				
10	1901710912	• PLUG	4				
11	1901719011	• ROD	4				
12	1901710915	• WASHER	8				
13	1901715115	• HOLDER	4				
14	1901710917	• WASHER	4				
15	1901716316	• SPRING	4				
16	1901723320	• SPRING	4				
17	1901720232	• JOINT	1				
18	1901720233	• PLATE	1				
19	1901710922	• NUT	1				
20	1901719025	• NUT	1				
21	1901739923	• LEVER	1				
22	1901740410	• HANDLE	1				
23	1213000528	• PIN, spring	1				
24	1901735630	• BUSHING	1				
25	1901740446	• RECEPTACLE	1				
26	1901740447	• WEDGE	1				
27	1901735632	• BOOT	1				
	T9h070						

LIFT ARM CYLINDER

Item	Part number	Description	Q'ty	Chan.	Serial No.	Serv.	Remarks
0	1900085600	CYLINDER ASSY	2				lift arm
0-1	1900085699	• KIT, seal	1				
1	X 1900080808	• • PACKING, rod	1				
2	X 1900073033	• • SEAL, dust	1				
3	X 1420110650	• • O-RING	1				
4	X 1421130650	• • RING, back-up	2				
5	X 1420110700	• • O-RING	1				
6	X 1420110600	• • O-RING	1				
7	X 1900051132	• • PACKING, piston	1				
8	1900085698	• TUBE ASSY	1				
9	1900016002	• • BUSHING	1				
10	1900085697	• ROD ASSY, piston	1				
11	1900016002	• • BUSHING	1				
12	1900052003	• COVER, rod	1				
13	1333004030	• BUSHING	1				
14	1900052027	• CONNCTOR	1				
15	1900064426	• STOPPER	1				
16	1900085604	• RETAINER	1				
17	1900052016	• RING, cushion	1				
18	1900052015	• SPACER	1				
19	1900052026	• STOPPER	1				
20	1900085606	• PISTON	1				
21	1900051131	• RING, wear	2				
22	1390020250	• BALL, steel	1				
23	1121050608	• SET-SCREW	1				
24	1900085616	• BEARING, cushion	1				
25	1900085628	• BEARING, cushion	1				
26	1900064428	• WASHER	1				
27	1900064429	• BOLT	1				
28	1432200040	• SEAL, dust	4				
29	1560001675	• FITTING, grease	1				
30	1560001900	• FITTING, grease	1				
	T9h090						

TRAVEL MOTOR (1/3) (reduction sec. ; 21402001-)

Item	Part number	Description	Q'ty	Chan.	Serial No.	Serv.	Remarks
0	1903122700	MOTOR ASSY, travel	1				
	1903128100	MOTOR ASSY, TRAVEL	1				
0-1	X *****	• GEAR, reduction	1				X19129-07800
1	1912907801	• • GEAR, ring	1				
2	1912907802	• • COVER	1				
	1912907832	* * COVER	1				
3	1912907803	• • CARRIER	1				
4	1912907804	• • GEAR	1				
5	1912907805	• • GEAR	1				
6	1912907806	• • GEAR	3				
7	1912907807	• • GEAR	4				
8	1912907809	• • NUT	1				
9	1912907810	• • PLATE KIT, stopper	1				
10	1912907811	• • • PLAT, stopper	1				t=6.4mm
11	1912907812	• • • PLAT, stopper	1				t=6.8mm
12	1912907813	• • • PLAT, stopper	1				t=6.8mm
13	1912907814	• • • PLAT, stopper	1				t=7.0mm
14	1912907815	• • • PLAT, stopper	1				t=7.2mm
15	1912907818	• • PLAT, stopper	1				
16	1912907819	• • RING, snap	1				
17	1912907820	• • WASHER	4				
18	1912907821	• • BEARING	2				
19	1912907822	• • BEARING	3				
20	1912907824	• • BEARING	4				
21	1912907826	• • SEAL KIT, floating	1				
22	1912907827	• • SCREW, cap	4				
23	1912907828	• • BOLT	3				
24	1100041050	• • BOLT	12				
25	1141120010	• • WASHER	12				
26	1501810003	• • PLUG	2				
27	1912907830	• • PLUG	3				
	T9h192-1						

HYDRAULIC PUMP (3/4)					
Item	Part number	Description	Q'ty	Chan.	Serial No. Serv. Remarks
0	1902019200	PUMP, hydraulic	1		
14	1902018807	• ORIFICE	4		
19	1902017713	• GASKET	4		
22	1902017724	• PLUG ASSY	4		
25	1902019229	• VALVE	4		
26	1902020736	• SPRING	4		
32	1902018814	• O-RING	4		
33	1902018815	• RING, back-up	4		
34	1420310910	• O-RING	4		
35	1902018817	• PLUG ASSY	4		
36	1902019215	• PLUG ASSY	2		
37	1902018818	• COVER	2		
38	1100050660	• BOLT	10		
39	1902017425	• SCREW	2		
40	1902017719	• NUT, seal	2		
41	1902017410	• PLUG ASSY	2		
42	1902018820	• COVER	2		
43	1100050630	• BOLT	6		
47	1902017724	• PLUG ASSY	1		
49	1902019251	• PLUG	1		
51	1902017727	• RING, back-up	2		
52	1902018824	• PISTON ASSY	2		
53	1902018825	• NUT, seal	2		
63	1902016565	• O-RING	1		~2003.7
	1902016564	• O-RING	2		2003.7~
		<<NOTE 1>>			
		21400011~21400111, 21400117~21400124			
		21400132~21400133, 21400135			
		21400141~21400142			
		<<NOTE 2>>			
		21400112~21400116, 21400125~21400131			
		21400134, 21400137~21400140,			
		21400143~			
	T9h163				

see "NOTE 1"
see "NOTE 2"

TL140 Buckets

Item	Part number	Description	Q'ty	Chan.	Serial No.	Serv.	Remarks
		TL140 Buckets					
	BTL14076	76" Smooth Bucket	1				
	BTL14077	76" Tooth Bucket	1				

250 Hour Filter Kit

Item	Part number	Description	Q'ty	Chan.	Serial No.	Serv.	Remarks
		250 Hour Filter Kit					
	1909914000	250 Hour Filter Kit	1				
2	I5-87310-3370	* Engine Oil Filter	1				
3	X13240015	* Fuel Filter	1				
4	Y119117-12560	* Oyster Air Filter	1				

Item	Part number	Description	Seal Kits	Q'ty	Chan.	Serial No.	Serv.	Remarks
		Seal Kits						
	1900085699	Arm Cylinder Seal Kit		1				
	1900052099	Bucket Cylinder Multi Use Seal Kit		1				

**Engine for TL140 4JG1-TPA (ISUZU)
CYLINDER BLOCK**

Item	Part No	Description	Qty
1	18-97352-7442	BLOCK ASM; CYL	1
2	15-87814-6130	LINER SET; ENG CYL (GRADE=1)	4
	15-87814-6140	LINER SET; ENG CYL (GRADE=2)	4
	15-87814-6150	LINER SET; ENG CYL (GRADE=3)	4
	15-87814-6160	LINER SET; ENG CYL (GRADE=4)	4
4	18-97176-6990	LINER; C/BL (OD GRD=1, ID GRD=AX)	4
	18-97176-7000	LINER; C/BL (OD GRD=1, ID GRD=CX)	4
	18-97176-7010	LINER; C/BL (OD GRD=2, ID GRD=AX)	4
	18-97176-7020	LINER; C/BL (OD GRD=2, ID GRD=CX)	4
	18-97176-7030	LINER; C/BL (OD GRD=3, ID GRD=AX)	4
	18-97176-7040	LINER; C/BL (OD GRD=3, ID GRD=CX)	4
	18-97176-7050	LINER; C/BL (OD GRD=4, ID GRD=AX)	4
	18-97176-7060	LINER; C/BL (OD GRD=4, ID GRD=CX)	4
7	19-09664-0010	PLUG; WATER DRAIN	1
8	18-94432-6420	BOLT; BRG CAP	10
13	18-94453-3440	DOWEL; C/BL TO HD	2
15	11-09605-0500	PLUG; OIL GALLERY	3
21(A)	15-11219-0170	CUP; SEALING, RR (OD=38)	1
21(B)	15-11219-0180	CUP; SEALING, RR (OD=36)	1
22	15-09600-0130	CUP; SEALING, DUCT HOLE	1
23(A)	18-97036-5501	CUP; SEALING, C/BL FRT & RR (OD=45)	3
23(B)	15-11219-0080	CUP; SEALING, C/BL FRT & RR (OD=18)	3
23(C)	15-11219-0150	CUP; SEALING, C/BL FRT & RR (OD=32)	2
23(D)	15-11219-0180	CUP; SEALING, C/BL FRT & RR (OD=36)	3
25(A)	18-94427-2062	METAL; CM/SHF (FRONT) (-04.11)	1
	18-97378-1480	METAL; CM/SHF (FRONT) (04.12-)	1
25(B)	18-94427-2012	METAL; CM/SHF (CENTER) (-04.11)	2
	18-97378-1470	METAL; CM/SHF (CENTER) (04.12-)	2
40(A)	15-11129-0060	CUP; SEALING, C/BL RR (OD=16)	3
40(B)	18-94250-5141	CUP; SEALING, C/BL RR (OD=56)	1
45(A)	11-82410-0082	SWITCH; OIL PRESSURE	1
50	19-08161-0320	PIN; STRAIGHT, RR PLATE	1
53	19-09606-5350	BOLT; REAMER	1
54	18-94133-9742	STUD; OIL PAN TO BLOCK (93.11-)	8
	18-97253-9990	STUD; OIL PAN TO BLOCK (00.06-)	4
63	18-94456-7943	DUCT; WATER, C/BL	1
97	15-11129-0030	CUP; SEALING	1
103	18-94130-0211	NIPPLE; OIL FEED	1
324	18-97238-9910	ADAPTER; OIL PRESSURE SW	1
450	19-09111-5100	NUT; REAMER BOLT (-05.12)	1
	10-91111-5100	NUT; REAMER BOLT (06.01-)	1
453	19-08151-0500	PIN	2
454	18-97016-4730	SEAL; C/BL	1
483	19-09150-5100	WASHER; LK, REAMER BOLT	1

Engine for TL140 4JG1-TPA (ISUZU)
ENGINE MOUNTING

Item	Part No	Description	Qty
2(P)	I8-97352-9481	FOOT; ENG	1
2(Q)	I8-97352-9470	FOOT; ENG	1
20(J)	I0-28681-0350	BOLT; ENG FOOT (-05.11)	8
	I0-28651-0350	BOLT; ENG FOOT (05.12-)	8

**Engine for TL140 4JG1-TPA (ISUZU)
THERMOSTAT & HOUSING**

Item	Part No	Description	Qty
1	I8-97211-2090	THERMOSTAT	1
2(A)	I8-97018-6640	HOUSING; THERMOSTAT	1
14(A)	I9-09661-0050	PLUG; SW	1
44	I0-28080-8160	BOLT; HSG TO HD (M8X16 FLANGE) (-05.11)	3
	I0-28050-8160	BOLT; HSG TO HD (M8X16 FLANGE) (05.12-)	3
	I0-28680-8350	BOLT; HSG TO HD (M8X35 FLANGE) (-05.11)	2
	I0-28650-8350	BOLT; HSG TO HD (M8X35 FLANGE) (05.12-)	2
49(C)	I8-97217-8270	PIPE; WATER OUTLET	1
53	I9-09110-5080	NUT; OUTLET PIPE	2
58	I5-09605-0050	PLUG; WATER OUTLET PIPE	1
64	I8-94365-6742	GASKET; OUTLET PIPE TO HSG	1
66	I8-97090-8790	GASKET; THERMOSTAT HSG	1
77	I9-09150-5080	WASHER; LK	2

**Engine for TL140 4JG1-TPA (ISUZU)
FUEL PUMP & PIPE**

Item	Part No	Description	Qty
7	I8-97352-8850	PIPE ASM; FUEL OVERFLOW	1
107(A)	I8-94424-1421	PIPE; FUEL, FEED PUMP TO FUEL FILTER	1
119(A)	I8-94424-1430	PIPE; FUEL, FUEL FILTER TO INJ PUMP	1
124	I1-09468-0021	NUT; CAP, FUEL PIPE	1
152	I9-09110-5100	NUT; BRKT	2
189	I5-15411-2250	PIPE ASM; FUEL, FEED PUMP	1
209	I9-09906-3251	BOLT; EYE, FUEL FILTER	2
212	I1-13260-0011	VALVE; OVERFLOW	1
237(A)	I0-01259-3000	HOSE; RUBBER, FUEL FILTER TO PUMP	1
239	I9-09572-0140	GASKET	6
240	I8-94441-5921	PIPE; FUEL FILTER TO PUMP	1
241	I8-94140-4310	CLIP; HOSE	2
195(B)	I5-15411-2250	PIPE ASM; FUEL	1

**Engine for TL140 4JG1-TPA (ISUZU)
STARTER**

Item	Part No	Description	Qty
2	I8-97225-2070	CASE; PINION, STARTER	1
7	I8-97116-4820	CLUTCH ASM; PINION, STARTER	1
8(A)	I8-97116-4850	BRACKET; CENTER STARTER	1
9(D)	I8-97116-4810	BEARING; GEAR SHAFT STARTER	1
10	I8-97116-4830	SHAFT; GEAR STARTER	1
11	I8-97116-4840	WASHER; GEAR SHAFT STARTER	1
13	I8-97358-4640	YOKE; STARTER	1
16	I8-97231-2760	ARMATURE; STARTER	1
17(C)	I1-81129-8370	BEARING; ARMATURE, STARTER	1
18	I8-97116-4890	WASHER; THRUST, ARMATURE, STARTER	1
21	I8-97172-0560	SPRING; BRUSH HOLDER STARTER	4
22	I8-97172-0550	HOLDER; BRUSH STARTER	1
23	I8-97210-9170	COVER; RR COVER STARTER	1
27(A)	I8-97116-4950	BOLT; THROUGH, STARTER	1
27(B)	I8-94475-6980	BOLT; THROUGH, STARTER	1
28	I8-97172-0480	LEVER; SHIFT, STARTER	1
31	I8-97358-4630	SWITCH; ENGAGE STARTER	1
46(C)	I8-97116-4900	GEAR; CLU STARTER	4
48	I8-97116-5150	BALL; PINION, STARTER	1
54	I8-97116-4880	CLUTCH; PINION, STARTER	1
55	I8-97137-6060	PINION; CLU, STARTER	1
73	I8-94475-6880	STOPPER SET; PINION	1
95	I8-97172-0580	BRUSH SET; (+) & (-), STARTER	2

**Engine for TL140 4JG1-TPA (ISUZU)
GOVERNOR; INJECTION PUMP**

Item	Part No	Description	Qty
103	I1-15729-0920	NUT; CAP, ADJ SPRING CAPSULE, GOV	1
104(C)	I8-97179-6700	CAP; LOCK NUT, ADJ SCREW	1
104(E)	I1-15779-5650	CAP; LOCK NUT, ADJ SCREW	1
105(B)	I8-94441-8410	LEVER; SPD CONT, GOV	1
106	I9-81325-0300	KEY; SWIVEL LEVER, GOV	1
107	I9-81325-4880	WASHER; SWIVEL LEVER, GOV	1
108	I1-15729-3010	COLLAR; SWIVEL LEVER, GOV	1
109	I1-15729-0990	SHIM; SWIVEL LEVER, GOV	1
109	I9-81325-1730	SHIM; SWIVEL LEVER, GOV (T=0.5)	1
110	I1-5779-5760	SEAL; OIL, SWIVEL LEVER, GOV	1
111(A)	I8-97233-0850	BUSHING; SWIVEL LEVER, GOV	1
111(B)	I8-97233-0860	BUSHING; SWIVEL LEVER, GOV	1
112	I1-15779-5730	GASKET; SWIVEL LEVER, GOV	2
113	I9-09185-4150	RING; SNAP, SWIVEL LEVER, GOV	2
150	I9-81315-0650	ADAPTER; GOV HSG, INJ PUMP	1
157	I9-01900-8180	BOLT; START SPRING PLATE, GOV	1
160	I1-15729-0150	GASKET; PLUG TO HSG	1
161	I1-15729-0380	PLUG; HSG	1
196	I8-97251-4240	BRACKET; COVER	1
253	I8-94167-7920	LIMITTER; GOV CONT	1
429	I8-94227-6020	GASKET; CAP NUT	2
430	I1-15779-5070	CAP NUT; ADJ LEVER	1
474	I1-15779-5820	ADAPTER; GOV, INJ PUMP	1

CLICK HERE TO **DOWNLOAD** THE COMPLETE MANUAL

- Thank you very much for reading the preview of the manual.
- You can download the complete manual from: www.heydownloads.com by clicking the link below



- Please note: If there is no response to CLICKING the link, please download this PDF first and then click on it.

CLICK HERE TO **DOWNLOAD** THE COMPLETE MANUAL