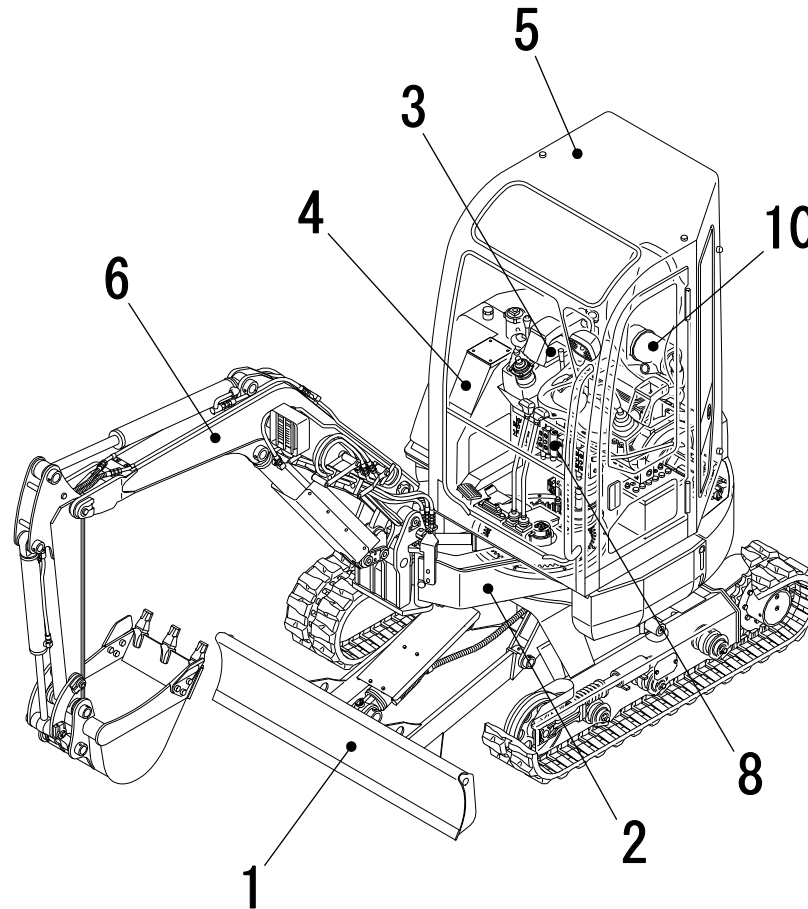


# TB28FR

Book No. BF4Z007  
Serial No. 12820004-



TAKEUCHI

CLICK HERE TO **DOWNLOAD** THE COMPLETE MANUAL

- Thank you very much for reading the preview of the manual.
- You can download the complete manual from: [www.heydownloads.com](http://www.heydownloads.com) by clicking the link below



- Please note: If there is no response to CLICKING the link, please download this PDF first and then click on it.

CLICK HERE TO **DOWNLOAD** THE COMPLETE MANUAL

NAME	PAGE
MACHINERY	-
LOWER FRAME	1-1
CRAWLER BELT	1-2
CRAWLER BELT (with rubber pads)	1-3
CARRIER ROLLER (12820004-12820260)	1-4
CARRIER ROLLER (12820261-)	1-5
TRACK ROLLER	1-6
FRONT IDLER	1-7
TRACK ADJUSTER (12820004-12820251)	1-8
TRACK ADJUSTER (12820252-)	1-9
TRAVEL DEVICE	1-10
SLEW BEARING	1-11
SWIVEL JOINT & ACCESSORIES	1-12
DOZER BLADE	1-13
PIPING; LOWER	1-14
SLEWING DEVICE	2-1
TURNTABLE (12820004-12820417)	2-2
TURNTABLE (12820418-)	2-3
BOOM OFFSET (1/2)	2-4
BOOM OFFSET (2/2)	2-5
OFFSET SWITCH	2-6
TRAVEL LEVER	2-7
DOZER BLADE LEVER	2-8
OPERATION LEVER & STAND	2-9
PIPING; OPERATION LEVER (1/2)	2-10
PIPING; OPERATION LEVER (2/2)	2-11
PIPING; OPERATION LEVER (1/2) (ISO-JCB pattern)	2-12
PIPING; OPERATION LEVER (2/2) (ISO-JCB pattern)	2-13
PIPING; OPERATION LEVER (1/2) (multi pattern)	2-14
PIPING; OPERATION LEVER (2/2) (multi pattern)	2-15
PIPING; OPERATION LEVER (1/2) (A-B pattern)	2-16
PIPING; OPERATION LEVER (2/2) (A-B pattern)	2-17
ENGINE & ACCESSORIES (1/2) (12820004-12820417)	3-1
ENGINE & ACCESSORIES (2/2) (12820004-12820417)	3-2
ENGINE & ACCESSORIES (1/2) (12820418-)	3-3
ENGINE & ACCESSORIES (2/2) (12820418-)	3-4
AIR CLEANER (for double element)	3-5
DRAIN PLUG	3-6
CONTROL BOX	3-7
ENGINE CONTROL (with decel.)	3-8
ELECTRICAL	3-9
TRAVEL ALARM (12820004-12820179)	3-10
TRAVEL ALARM (12820180-)	3-11
BATTERY (12820004-12820245)	3-12
BATTERY (12820246-)	3-13
BATTERY POLE (+) (for EC)	3-14
RADIO	3-15
WINDOW WASHER	3-16
CANOPY LIGHT	4-1
VALVE & ACCESSORIES	4-2
PIPING; UPPER (1/2)	4-3
PIPING; UPPER (2/2)	4-4
ACCUMULATOR (12820004-12820239)	4-5
ACCUMULATOR (12820240-)	4-6

Item	Part number	Description	CRAWLER BELT (with rubber pads)			Remarks
			Q'ty	Chan.	Serial No. Serv.	
0	19140-53900	BELT ASSY, steel crawler (with rubber pads)	2			X19140-53900-0
1	19140-53800	· BELT, steel crawler	1			X19140-53800-0
7	19144-00300	· PAD, rubber	41			
8	11300-20012	· · NUT	2			
9	11400-20012	· · WASHER, spring	2			
	F4a082					

TRACK ADJUSTER (12820004-12820251)

Item	Part number	Description	Q'ty	Chan.	Serial No.	Serv.	Remarks
	03515-04200	SPRING ASSY					X03515-04000-1
0-1	03515-04100	SPRING SUB ASSY	2				
1	03515-03110	· ROD	1				
2	04315-10300	· PLATE	1				
3	01615-06100	· SPRING	1				
4	11320-30020	· NUT	1				
5	12100-00440	· PIN, split	1				
6	11415-40020	· WASHER	1				
0-2	03515-04200	CYLINDER ASSY, grease	2				
7	03515-03210	· CYLINDER, grease	1				
8	03515-03220	· PISTON	1				
9	14004-02340	· SEAL, oil	1				
10	14220-10400	· O-RING	1				
11	14210-20400	· RING, back-up	1				
12	15412-01616	· WASHER	1				
13	15413-01602	· VALVE, check	1				
14	11010-51240	BOLT	8				
15	11400-10012	WASHER, spring	8				
	E5a041						

Item	Part number	Description	Q'ty	Chan.	Serial No.	DOZER BLADE Serv.	Remarks
		BLADE ASSY, dozer					X03563-05000-2
1	03563-05100	BLADE SUB ASSY, dozer	1		12820004~12820075		
	03563-05200	BLADE SUB ASSY, dozer	1	(H)	12820076~		
1-15	00022-00012	BUSHING	2				
1-16	14322-00040	SEAL, dust	4				
1-17	15600-01000	FITTING, grease	2		12820076~		
2	04763-02002	COVER	1		12820004~12820075		
	03563-05002	COVER	1	(H)	12820076~		
4	00016-06135	PIN	2				
5	00016-03125	PIN	2				
6	15600-01000	FITTING, grease	2		12820004~12820075		
7	19000-53200	CYLINDER, dozer blade	1				
8	11030-41080	BOLT	2				
9	11302-40010	NUT	4				
10	11031-41200	BOLT	2				
11	11302-40012	NUT	4				
12	11000-40820	BOLT	4		12820004~12820075		
13	11400-20008	WASHER, spring	4		12820004~12820075		
14	11411-10008	WASHER	4		12820004~12820075		
15	11206-30816	SCREW	4		12820076~		

F4a052

Item	Part number	Description	Q'ty	Chan.	BOOM OFFSET (1/2)		Serv.	Remarks
					Serial No.			
		OFFSET ASSY, boom						X03531-14000-9
1	03531-14100	BRACKET	1					
2	03531-14200	OFFSET, arm	1					
2-26	00024-00040	· BUSHING	4					
2-27	13330-02015	· BUSHING	2					
2-28	14322-00045	· SEAL, dust	2					
3	03531-14300	OFFSET, arm	1					
3-26	00024-00040	· BUSHING	4					
3-27	13330-02015	· BUSHING	2					
3-28	14322-00045	· SEAL, dust	2					
12	03531-13500	BRACKET	1					
16	03531-14490	WASHER	4					
17	03531-14530	PLATE	4	B	12820004~12820543			
	03531-14530	PLATE	2		12820544~			
18	03531-14510	PLATE	1					
19	03531-06610	PIN	2	B	12820004~12820543			
	03531-14630	PIN	2	b (H)	12820544~		M	
20	03531-06620	PIN	1					
21	03531-06660	PIN	1					
22	03531-06650	PIN	1					
23	03531-06670	PIN	1					
24	03531-07910	GUARD	1					
25	03531-07920	PLATE	1					
26	03531-07930	RUBBER	1					
27	03531-14520	PLATE	1					
28	03531-14600	YOKE	1	a	12820186~			
29	03531-08400	PIN	1	A	12820004~12820185			
	03531-14610	PIN	1	a (H)	12820186~			
30	03531-08500	LINK	1					
31	03531-08600	PIN	1	A	12820004~12820185			
	03531-14620	PIN	1	a (H)	12820186~			
32	03531-14570	PIN	1		12820004~12820260			
	00040-12035	PIN	1		12820261~			
33	00036-00057	WASHER	1					
34	00072-10027	BUSHING	1					
35	11300-40016	NUT	1	a	12820186~			
37	19000-73300	CYLINDER, offset	1					
38	15150-10041	ELBOW	2					
	14200-10140	· O-RING	1					
39	12200-00012	RING, retaining	4					
41	15600-01000	FITTING, grease	1					
47	11217-41235	SET-SCREW	AR					
48	11217-41240	SET-SCREW	AR					
49	11217-41245	SET-SCREW	AR					
50	11217-41250	SET-SCREW	AR	B	12820004~12820543			
	11217-41255	SET-SCREW	AR	b	12820544~			
51	03531-14560	NUT	16					
56	11000-40616	BOLT	4					
58	11010-41220	BOLT	4					
59	11000-41025	BOLT	3					
62	11400-20006	WASHER, spring	4					
64	11400-20010	WASHER, spring	3					
65	11400-20012	WASHER, spring	4					
66	11411-10006	WASHER	4					
72	12140-00008	PIN, snap	1		12820261~			
73	03531-14640	PLATE	2	b	12820544~		M	

Item	Part number	Description	Q'ty	Chan.	DOZER BLADE LEVER		Serv.	Remarks
					Serial No.			
		LEVER ASSY, control						X03532-33000-11
1	03532-33100	BRACKET	1					
2	03532-33200	BRACKET	1					
3	03532-33300	LEVER	1					
5	03532-31300	PLATE	2					
6	03932-19200	BRACKET	1			12820004~12820170		
	05632-30100	BRACKET	1	A (H)		12820171~12820251		
	05632-33600	BRACKET	1	a (H)		12820252~		
7	03932-19210	LEVER	1	A		12820004~12820251		
	03932-19910	LEVER	1	a (H)		12820252~12820284		
	03932-21210	LEVER	1	(H)		12820285~		
7-5	13330-01515	BUSHING		a (H)		12820252~		
8	03932-17220	BOSS	1	A		12820004~12820251		
	03932-19930	BOSS	1	a (H)		12820252~		
9	03532-33400	BRACKET	1					
20	00040-06017	PIN	4					
21	05632-17400	YOKE	2					
26	00036-00020	WASHER	1					
27	04372-00100	GUARD	2					
31	12140-10006	PIN, snap	4					
32	13320-01518	MINI-PILLOW	2					
35	16307-71190	CABLE, control	1	A		12820004~12820251		
	16303-41190	CABLE, control	1	a (H)		12820252~	M	
38	11300-40005	NUT	2					
39	11300-40006	NUT	2					
43	16501-53655	GRIP	1					
44	11000-40614	BOLT	2	A		12820004~12820251		
45	11000-40616	BOLT	6					
46	11000-40635	BOLT	2					
48	11000-41040	BOLT	1					
49	11400-20006	WASHER, spring	4					
50	11400-20008	WASHER, spring	1					
52	11411-10006	WASHER	2					
53	11000-40830	BOLT	1					
54	13320-51518	MINI-PILLOW	1	A		12820004~12820251		
55	11000-41025	BOLT	2					
56	11411-10010	WASHER	2					
57	16525-33019	CAP	1			12820171~		
58	03532-33500	ABSORBENT, noise	1			12820171~		
59	03532-33510	ABSORBENT, noise	1			12820171~		
60	03532-33520	ABSORBENT, noise	1			12820171~		
61	16546-01015	TRIM	1			12820187~12820239		sold by the meter
	16546-01020	TRIM	1			12820240~		sold by the meter
63	00832-52100	WASHER	2	a (H)		12820252~		
64	03532-33530	ABSORBENT, noise	1			12820418~	M	
65	03532-33531	ABSORBENT, noise	1			12820418~	M	
66	03532-33532	ABSORBENT, noise	1			12820418~	M	
67	03532-33533	ABSORBENT, noise	1			12820418~	M	
68	03532-33534	ABSORBENT, noise	1			12820418~	M	

<<NOTE>>

SET "A" is interchangeable with SET "a".

F4b073

PIPING; OPERATION LEVER (1/2) (ISO-JCB pattern)

Item	Part number	Description	Q'ty	Chan.	Serial No.	Serv.	Remarks
		PIPING ASSY					X03571-10600-9
1	03571-09300	BRACKET	1				
2	03571-09310	BRACKET	1				
3	03571-09320	PLATE	1				
10	19017-21800	VALVE, shuttle	1				
11	19017-30500	VALVE, selector	1				
12	15675-23855	HOSE	1				
13	15675-23865	HOSE	1				
32	03571-10140	HOSE ASSY	1				19347-22103
33	03571-10150	HOSE ASSY	1				19347-22145
36	03571-10180	HOSE ASSY	1				19347-22120
37	03571-10190	HOSE ASSY	1				19347-22105
40	03571-10220	HOSE ASSY	1				19347-22110
41	03571-10230	HOSE ASSY	1				19347-22115
41-2	15322-08100	· PROTECTOR	1				sold by the meter
42	03571-10240	HOSE ASSY	1				19347-22185
42-2	15322-08120	· PROTECTOR	1				sold by the meter
43	03571-10250	HOSE ASSY	1				19347-22155
44	03571-10260	HOSE ASSY	1				19347-22050
45	03571-10270	HOSE ASSY	1				19347-52045
46	03571-10280	HOSE ASSY	1				19347-22060
46-2	15322-08045	· PROTECTOR	1				sold by the meter
47	03571-10290	HOSE ASSY	1				19347-22025
48	03571-10300	HOSE ASSY	1				19347-52065
48-2	15322-08050	· PROTECTOR	1				sold by the meter
49	03571-10310	HOSE ASSY	1				19347-22083
50	03571-10320	HOSE ASSY	1				19347-22083
51	03571-10330	HOSE ASSY	1				19347-22160
52	03571-10340	HOSE ASSY	1				19347-22160
53	03571-10350	HOSE ASSY	1				19347-72040
54	03571-10360	HOSE ASSY	1				19347-72040
55	03571-10370	HOSE ASSY	1				19347-22050
56	03571-10380	HOSE ASSY	1				19347-52050
80	15151-00110	ELBOW	3				
	14200-10110	· O-RING	1				
81	15150-12040	ELBOW	8				
	14200-10110	· O-RING	1				
83	11000-40660	BOLT	2				
84	11000-40650	BOLT	2				
88	11400-20006	WASHER, spring	4				
94	16539-16007	TRIM	1		12820072~		sold by the meter
95	16539-16010	TRIM	1		12820072~		sold by the meter
96	16539-16015	TRIM	1		12820072~		sold by the meter
97	17032-10709	BOOT	1		12820072~		sold by the meter
98	15316-45029	PROTECTOR	1		12820072~		sold by the meter

F4b112

PIPING; OPERATION LEVER (2/2) (A-B pattern)

Item	Part number	Description	Q'ty	Chan.	Serial No.	Serv.	Remarks
		PIPING ASSY					X03571-10800-2
5	05671-27300	BRACKET	1				
6	05671-27400	COVER	1				
7	03532-28460	PEDAL	1				
8	19017-29700	PILOT VALVE	1				
9	19017-32400	VALVE, solenoid	1				
14	03971-10600	SHEET	1				
15	03571-10010	HOSE ASSY	1				19347-22100
15-2	15322-08086	· PROTECTOR	1				sold by the meter
16	03571-10020	HOSE ASSY	1				19347-72070
17	03571-10030	HOSE ASSY	1				19347-52090
17-2	15322-08076	· PROTECTOR	1				sold by the meter
18	03571-10040	HOSE ASSY	1				19347-22075
19	03571-10050	HOSE ASSY	1				19347-22080
19-2	15322-08066	· PROTECTOR	1				sold by the meter
20	03571-10060	HOSE ASSY	1				19347-52040
21	03571-10070	HOSE ASSY	1				19347-52070
21-2	15322-08056	· PROTECTOR	1				sold by the meter
22	03571-10080	HOSE ASSY	1				19347-22060
22-2	15322-08046	· PROTECTOR	1				sold by the meter
23	03571-10090	HOSE ASSY	1				19347-22080
24	03571-10100	HOSE ASSY	1				19347-52080
24-2	15322-08066	· PROTECTOR	1				sold by the meter
25	03571-10110	HOSE ASSY	1				18010-24160
25-2	15322-24144	· PROTECTOR	1				sold by the meter
26	03571-10120	HOSE ASSY	1				19347-52060
27	03571-10130	HOSE ASSY	1				18010-23058
27-2	15322-24054	· PROTECTOR	1				sold by the meter
50	15156-00200	ADAPTOR	1				
	14200-10110	· O-RING	1				
51	15017-50002	PLUG	2				
	14200-10110	· O-RING	1				
52	15133-90015	TEE	3				
53	15150-10050	ELBOW	1				
	14200-10140	· O-RING	1				
55	15150-12040	ELBOW	6				
	14200-10110	· O-RING	1				
56	15150-10042	ELBOW	1				
	14200-10180	· O-RING	1				
59	11000-40816	BOLT	6				
60	11000-41020	BOLT	3				
61	11000-41220	BOLT	4				
63	11400-20008	WASHER, spring	6				
64	11400-20010	WASHER, spring	3				
65	11400-20012	WASHER, spring	4				
66	16546-06060	SEAL	1				sold by the meter
67	11411-10008	WASHER	2				
68	11411-10012	WASHER	4				

F4b161

ENGINE & ACCESSORIES (2/2) (12820418-)

Item	Part number	Description	Q'ty	Chan.	Serial No.	Serv.	Remarks
		ENGINE ASSY (cab)					X03540-17000-3
		ENGINE ASSY (canopy)					X03540-17900-3
16	03540-17200	BRACKET	1				
17	03540-17300	SHROUD ASSY	1				
17-1	03540-17310	· SHROUD	1				
17-2	03540-14520	· URETHANE	1				
17-3	03540-14521	· URETHANE	1				
17-4	03540-17321	· URETHANE	2		12820418~12820420		
17-5	16543-55006	· SPONGE	1				sold by the meter
17-6	16543-55011	· SPONGE	1				sold by the meter
17-7	16543-55023	· SPONGE	1			M	sold by the meter
17-8	03540-17308	· URETHANE	1		12820421~	M	
17-9	03540-17309	· URETHANE	1		12820421~	M	
18	03540-17260	PLATE ASSY	1		12820421~	M	
18-1	03540-17230	· PLATE	1				
18-2	03540-17262	· URETHANE	1		12820421~	M	
19	03540-17270	PLATE ASSY	1			M	
19-1	03540-14600	· PLATE	1				
19-2	03540-17272	· ABSORBENT, noise	1			M	
20	03540-14610	ABSORBENT, noise	1				
21	03540-14611	ABSORBENT, noise	1				
22	03540-14420	URETHANE	1				
23	03540-14421	URETHANE	1				
24	03540-14422	ABSORBENT, noise	1				
25	03540-14423	ABSORBENT, noise	1				
26	03740-08470	RING, fun	1				
27	03740-09380	URETHANE	1				
28	03540-17240	BRACKET	1				
29	03540-13400	PIPE	1				
30	19101-48024	ELBOW	1				Y129612-12560
31	03540-13420	BRACKET	1				
32	03540-17400	BLADE ASSY	1				
32-1	03540-17410	· BLADE	1				
32-2	03540-17420	· ABSORBENT, noise	1				
34	19101-48002	RADIATOR	1				Y129242-44510
35	03540-17250	HOSE	1				
36	19102-06012	HOSE	1				Y119869-49020
37	19100-67051	GUARD	1				Y129132-44590
38	19100-47040	TANK, sub	1				Y171064-44510
39	19100-47052	BRACKET	1				Y121256-44600
40	19100-47047	BAND	1				Y124450-44550
41	19113-00060	COOLER, oil	1				
42	19100-78037	VALVE	1				Y129150-49100
44	19100-32047	BAND	2				Y23000-060000
45	19100-06013	BAND	4				Y23010-038000
49	16510-14003	RUBBER, cushion	3				
53	19101-70052	RUBBER, cushion	2				
54	15314-07035	HOSE	1			M	sold by the meter
55	15308-08050	HOSE	1				sold by the meter
56	15308-08037	HOSE	1				sold by the meter
57	15311-18045	HOSE	1				sold by the meter
58	15311-18033	HOSE	1				sold by the meter
59	15331-20012	BAND	4				
60	15331-20512	BAND	2				
64	04340-06900	ADAPTOR	1				
66	03540-17450	BLADE ASSY	1				

Item	Part number	Description	Q'ty	Chan.	Serial No.	Serv.	ENGINE CONTROL (with decel.) Remarks
	03541-09500	DECEL. ASSY					X03541-09500-2
1	03541-08100	PLATE	1				
2	03541-09700	BRACKET	1				
3	03541-08300	LINK, wire	1				
4	03541-08310	PLATE	1				
6	03641-10200	LEVER	1				
7	03341-21200	WIRE	1				
8	00079-00016	PIN	2				
9	03541-05200	SHAFT	1				
10	03441-00400	WASHER	1				
12	11100-40510	SCREW, cap	2				
13	12240-10006	RING, retaining	2				
14	12240-10007	RING, retaining	1				
15	12251-10014	WASHER, conical	2				
16	16501-32050	GRIP	1				
17	11305-40014	NUT	1				
18	11306-40014	NUT	1				
19	19100-65116	MOTOR, stop	1				Y129136-66810
20	16205-80000	LINK	2				
22	11205-30516	SCREW	3				
24	11000-40820	BOLT	5				
26	11300-40008	NUT	1				
27	11301-40010	NUT	2				
28	11400-20005	WASHER, spring	3				
30	11400-20008	WASHER	5				
31	00073-00004	CLAMP	1				
32	11000-40816	BOLT	1				
	F4c050						

Item	Part number	Description	Q'ty	Chan.	Serial No.	BATTERY (12820004-12820245) Serv. Remarks
		BATTERY ASSY				X03544-09000-6
1	05644-20100	ANGLE	1			
2	03944-06700	PLATE	1			
4	17022-30045	CABLE, battery	1			
5	17023-30000	TERMINAL	1			
6	17025-30120	CABLE, battery	1			
7	17029-20060	COVER	1			
8	19100-07119	COVER	1			Y124550-77030
9	11000-41016	BOLT	2		12820004~12820170	
	11000-41016	BOLT	1		12820171~	
10	11400-20010	WASHER, spring	3			
11	11411-10010	WASHER	2			
12	11403-30010	WASHER	1			
13	00073-00035	CLAMP	1			
14	11300-40010	NUT	1		12820171~	
17	11205-90620	SCREW	2			
18	11300-40006	NUT	6			
19	11411-90006	WASHER	8			
20	11400-20006	WASHER, spring	4			
21	17020-59026	BATTERY	1			
22	17032-21320	BOOT	1			
23	17119-00064	BAND	1			
24	17021-06265	BOLT	2			
25	17001-00051	SWITCH	1			
26	17025-30080	CABLE, battery	1			
27	11300-40010	NUT	1			
28	03544-09100	COLLAR	2			
29	11205-90635	SCREW	2			
30	15313-25100	PROTECTOR	1			sold by the meter
	F4c071					

Item	Part number	Description	Q'ty	Chan.	Serial No.	Serv.	CANOPY LIGHT Remarks
1	03984-02200	LAMP ASSY, canopy	1				X03984-02000-5
3	03584-02700	HARNESS, wiring	1				
4	17030-01900	COVER	1				
4	17030-01900	LAMP	2				
4-1	17030-01901	BULB	1				12V, 20W
6	16529-00006	BAND	1				
8	11000-40825	BOLT	2				
9	11504-20516	SCREW	5				
11	11400-20006	WASHER, spring	2				
13	11411-10008	WASHER	2				
14	16522-01007	BAND	4			M	
15	03984-02300	HARNESS, wiring	1				

F4c102

Item	Part number	Description	Q'ty	Chan.	Serial No.	Serv.	Remarks
0	03550-09700	ACCUMULATOR ASSY	1				ACCUMULATOR (12820240-) X03550-09700-2
1	03550-09710	· BRACKET	1				
2	03550-09720	· HOSE ASSY	1				18010-23034
4	15522-00020	· ACCUMULATOR	1				
5	00072-00222	· ADAPTOR	1				
6	11400-20020	· WASHER, spring	1				
7	11411-10016	· WASHER	1				
8	14321-60004	· SEAL	1				
9	00072-00154	· NUT	1				
11	15150-10041	· ELBOW	1				
	14200-10140	· O-RING	1				
12	11000-40825	· BOLT	2				
13	11400-20008	· WASHER, spring	2				
14	11411-10008	· WASHER	2				

F4d090

Item	Part number	Description	Q'ty	Chan.	Serial No.	Serv.	FUEL TANK & FUEL PIPING Remarks
	15532-01800	TANK ASSY, fuel					X03581-10000-6
1	03581-10100	TANK	1				
2	03581-10200	PIPE	1				
3	03581-10300	PIPE	1				
4	03581-10400	SHEET	1				
5	00036-00023	WASHER	2				
6	15521-00500	CAP	1				
7	15521-00320	STRAINER	1				
8	15532-01800	UNIT, gauge	1				
8-1	15532-00800	· PACKING	1				
10	19101-29033	FILTER, fuel	1				Y129052-55630
11	19101-29032	CLAMP	1				Y198072-04320
12	19100-47033	PUMP, feed	1				Y129322-77401
13	15312-07040	HOSE	1				sold by the meter
14	15312-07021	HOSE	1				sold by the meter
15	15312-07030	HOSE	1				sold by the meter
16	15312-07115	HOSE	1				sold by the meter
17	15331-20012	BAND	8				
18	15305-31035	HOSE	1				sold by the meter
19	15305-31020	HOSE	1				sold by the meter
20	15337-00048	CLAMP	4				
21	15530-01200	GAUGE	1				
22	15017-50006	PLUG	1				
	14200-10240	· O-RING	1				
23	11205-30510	SCREW	5				
24	11400-20005	WASHER, spring	5				
25	11000-40616	BOLT	2				
26	11400-20006	WASHER, spring	2				
27	11000-40816	BOLT	1				
28	11400-20008	WASHER, spring	1				
32	11010-41225	BOLT	4				
33	11400-20012	WASHER, spring	4				
35	15311-15030	HOSE	1				sold by the meter
36	15311-15016	HOSE	1				sold by the meter
37	15311-15025	HOSE	1				sold by the meter
38	15311-15110	HOSE	1				sold by the meter
40	15305-16019	HOSE	1				sold by the meter
41	15305-16100	HOSE	1				sold by the meter
42	15337-00025	CLAMP	4				
43	11411-10012	WASHER	2				
44	00036-00177	WASHER	2				
45	00036-00178	WASHER	2				

F4d061

Item	Part number	Description	Q'ty	Chan.	FLOOR FRAME (1/2) Serial No.	Serv.	Remarks
		FRAME ASSY, floor					X03535-16000-9
1	03535-16100	FRAME	1				
2	03535-13200	LEVER	1				
3	03535-16210	BRACKET	1				
4	03535-13220	NUT	2				
5	03535-13230	PLATE	2				
8	03535-16300	PLATE	1				
9	03535-16310	PLATE	1	A	12820004~12820245		
	03535-16500	PLATE	1	a (H)	12820246~		
10	03535-16320	COVER	1				
12	03535-16330	PLATE	1		12820004~12820090		
13	03935-21650	BRACKET	2				
14	03935-12310	SHAFT	2				
15	05635-09520	PLATE	4				
16	03735-02990	CUSHION	8				
17	03935-21660	SPACER	8		12820004~12820338		
	03435-15086	SPACER	8		12820339~		
18	05635-11500	BRACKET	1				
19	05635-11510	LEVER	1				
20	00042-12040	SHAFT	1				
21	05635-11250	PIN	4				
22	05635-11260	PIN	1				
23	03535-16340	COVER	1				
24	03935-21400	MAT, floor	1		12820004~12820243		
	03935-21420	MAT, floor	1	(H)	12820244~		
25	16546-06042	RUBBER	1		12820418~	M	sold by the meter
26	11100-40835	SCREW, cap	4				
27	11400-20008	WASHER, spring	9				
28	11110-41265	SCREW, cap	4				
29	11400-20012	WASHER, spring	12				
30	11010-41230	BOLT	4				
31	11000-40816	BOLT	7				
32	11010-41250	BOLT	4				
33	11010-41440	BOLT	4				
34	11400-20014	WASHER, spring	4				
35	11411-10014	WASHER	1				
36	16539-00013	DAMPER	3				
38	16527-02023	HOLDER	1				
39	12240-00010	RING, retaining	2				
40	16545-20300	RUBBER	1			M	sold by the meter
41	16536-01395	LOCK	1				
42	11000-40614	BOLT	2				
43	11501-10612	SCREW	2				
44	11400-20006	WASHER, spring	2				
46	11305-40012	NUT	4				
47	11411-10012	WASHER	4				
48	00036-00122	WASHER	3				
49	11504-20816	SCREW	8				
50	16539-00015	LATCH	1	a	12820246~		
51	11501-10512	SCREW	2	a	12820417~		
53	11300-30005	NUT	2	a	12820246~		

<<NOTE>>

"A" is interchangeable with SET "a".

F4e044

CLICK HERE TO **DOWNLOAD** THE COMPLETE MANUAL

- Thank you very much for reading the preview of the manual.
- You can download the complete manual from: [www.heydownloads.com](http://www.heydownloads.com) by clicking the link below



- Please note: If there is no response to CLICKING the link, please download this PDF first and then click on it.

CLICK HERE TO **DOWNLOAD** THE COMPLETE MANUAL

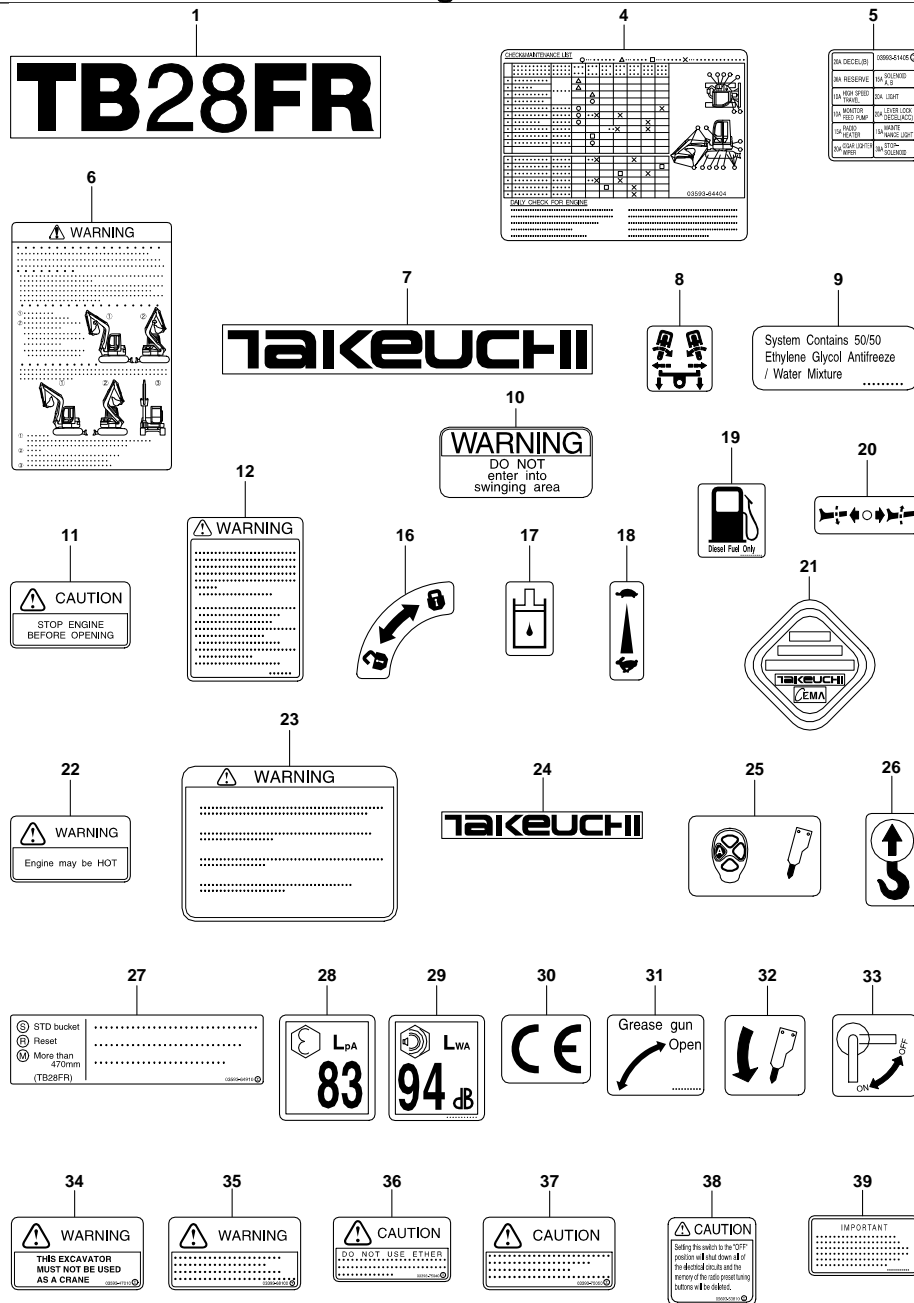
Item	Part number	Description	Q'ty	Chan.	Serial No.	CAB (1/6) Serv.	Remarks
0	03586-04000	CAB ASSY	1		12820004~12820251		X03586-04000-1
	03586-05000	CAB ASSY	1	(H)	12820252~12820257		X03586-05000-0
	03586-06000	CAB ASSY	1	(H)	12820258~		X03586-06000-1
1	X *****-*****	· FRAME	1				
2	03586-04300	· SASH ASSY, front	1				see page (3/6)
3	03586-04400	· DOOR	1				see page (6/6)
4	03386-30600	· SASH ASSY, side	1				
4-1	03386-30630	· · GLASS	1				
4-2	03386-30640	· · GLASS	1				
4-3	03386-30650	· · LOCK ASSY	2				
4-4	03386-30006	· · STRIP, weather	1				
5	03786-01600	· GLASS, front	1				
5-1	03786-01610	· · GLASS	1				
5-2	16540-10900	· · RETAINER	2				
5-3	16540-11100	· · PACKING	4				
5-4	16540-11000	· · PLATE	2				
5-5	11224-10412	· · SCREW	4				
6	03586-04700	· GLASS , front	1				
7	03586-04710	· GLASS	1				
8	03586-04720	· GLASS, rear	1				
9	05686-33200	· GLASS	1		12820004~12820251		
	05686-53000	· GLASS	1		12820252~		
10	03586-04800	· GUARD	1				
11	03586-04730	· ABSORBENT, noise	1				
12	03586-04740	· ABSORBENT, noise	1				
13	03586-04750	· ABSORBENT, noise	1				
22	04386-01770	· SPACER	7				
24	05686-34100	· SEAL	1				
25	03986-03400	· GROMMET	1				
36	16540-50000	· BAND	2		12820004~12820251		
	16533-03010	· CLIP	2		12820252~		
45	16546-19110	· SEAL	1				sold by the meter
46	16546-19230	· SEAL	1				sold by the meter
47	16539-30342	· TRIM	1				sold by the meter
48	16546-05326	· RUBBER	1				sold by the meter
49	16546-05360	· RUBBER	1				sold by the meter
50	16546-05033	· RUBBER	2				sold by the meter
51	16542-31320	· H-RUBBER	1				sold by the meter
52	16542-31255	· H-RUBBER	1		12820004~12820251		sold by the meter
	16546-15216	· H-RUBBER	1		12820252~		sold by the meter
53	16542-31336	· H-RUBBER	1				sold by the meter
54	16542-31065	· H-RUBBER	1				sold by the meter
55	16539-16222	· TRIM	1		12820252~		sold by the meter
58	11000-90820	· BOLT	6				
59	11000-40825	· BOLT	6				
67	11400-90008	· WASHER, spring	6				
70	11415-50008	· WASHER	6				

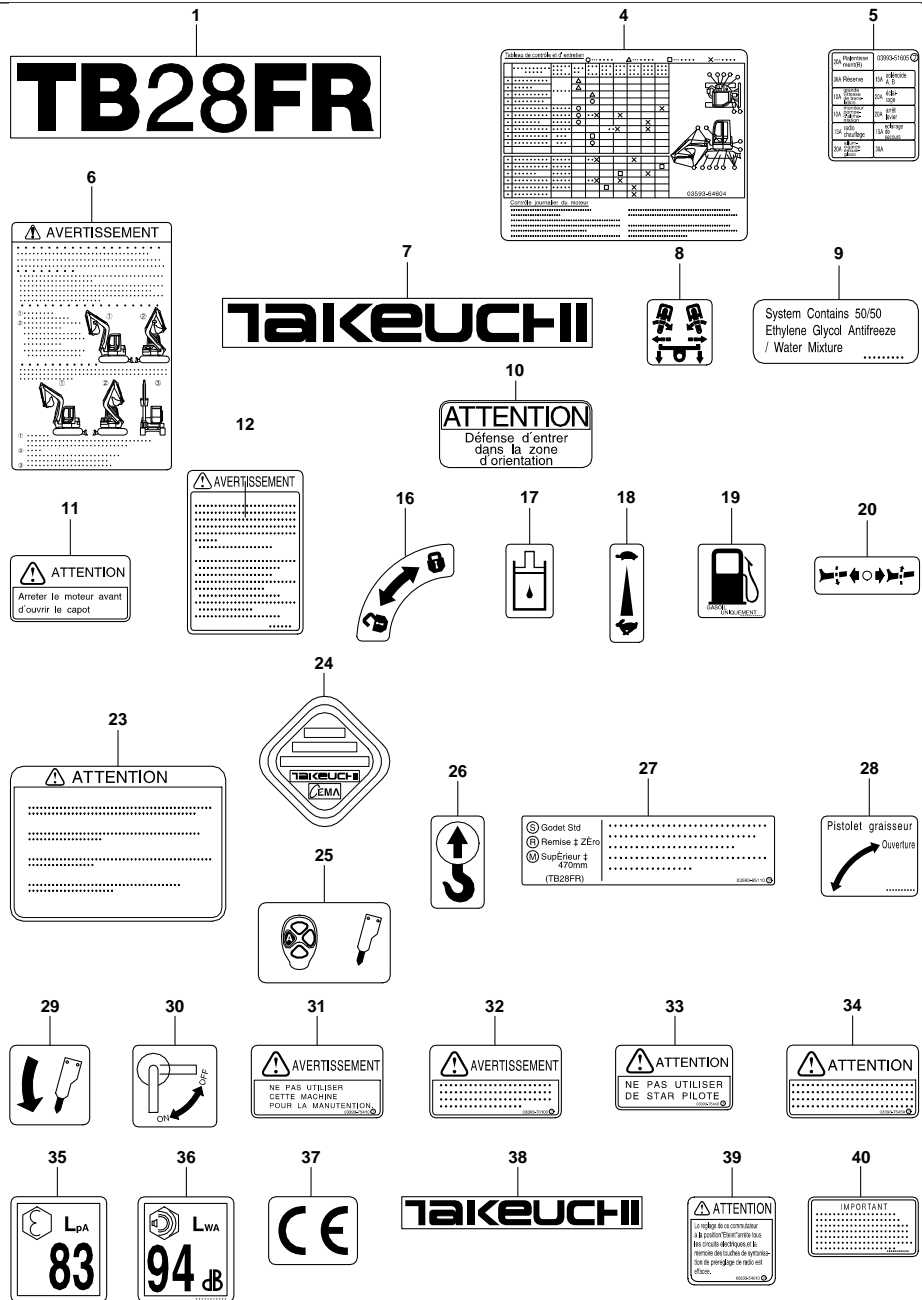
F4e092

Item	Part number	Description	Q'ty	Chan.	Serial No.	CAB (5/6) (assist: 12820252-) Serv. Remarks
0-1-2	03586-02300	ASSIST ASSY (R. H.)	1			
0-1-3	03586-02400	ASSIST ASSY (L. H.)	1			
1	03586-02310	· PLATE (R. H.)	1			
	03586-02410	· PLATE (L. H.)	1			
2	03586-02320	· PLATE (R. H.)	1			
	03586-02420	· PLATE (L. H.)	1			
3	03586-02330	· BRACKET (R. H.)	1			
	03586-02430	· BRACKET (L. H.)	1			
4	03586-01840	· PLATE	1			
5	16539-00063	· SPRING, gas	1			
6	11000-40616	· BOLT	1			
7	11400-20006	· WASHER, spring	1			
8	11411-10006	· WASHER	4			
9	11411-10008	· WASHER	4			
10	12140-00006	· PIN, snap	4			
	F4e170					

Memo

Item	Part number	Description	Q'ty	Chan.	Serial No.	Serv.	Remarks
0	03562-14000	BUCKET ASSY	1				460wide
	03562-14500	BUCKET ASSY	1		12820432~	M	500wide
1	X *****	· BUCKET	1				
1-12	19142-01201	· · ADAPTOR, tooth	3				
2	04362-01200	· CUTTER (R. H.)	1				
3	04362-01300	· CUTTER (L. H.)	1				
4	19142-01202	· POINT, tooth	3				
5	19142-01203	· PIN, lock	3				
6	11000-51635	· BOLT	6				
7	11300-50016	· NUT	6				
	F4f080						





Item	Part number	Description	Q'ty	Chan.	Serial No.	Serv.	PAINTED COLOR Remarks
		PAINTED COLOR					X03591-07000-1
		PAINTED COLOR					X03591-08000-1
		PAINTED COLOR					X03591-09000-1
		PAINTED COLOR					X03591-10000-1
1	19190-60105	RED					
	19190-69105	RED					spray can
2	19190-60164	BLUE					
	19190-69164	BLUE					spray can
3	19190-60142	LIGHT GRAY					
	19190-69142	LIGHT GRAY					spray can
4	19190-60144	GRAY					
	19190-69144	GRAY					spray can
5	19190-60166	GRAY					
	19190-69166	GRAY					spray can
	F4g150						

Item	Part number	Description	Q'ty	Chan.	Serial No.	Serv.	Remarks	HOUSING ASSY
0	19010-35402	HOUSING ASSY	1					
1	19010-35459	· SPRING	1				P2	
2	19010-35473	· PLUG	1					
3	14200-00140	· O-RING	1					
4	14200-10070	· O-RING	3					
5	14200-10140	· O-RING	1					
6	14203-10017	· O-RING	2					
7	14203-10033	· O-RING	1					
	U1h040							

BLOCK ASSY: No. 3

Item	Part number	Description	Q'ty	Chan.	Serial No.	Serv.	Remarks
0	19010-38312	BLOCK ASSY: No. 3	1				arm
1	19010-04351	· HOLDER, spring	2				
2	19010-35426	· PLUNGER	1				
3	19010-04357	· SPRING	1				
4	19010-23091	· PISTON	1				
5	19010-20431	· END, spool	1				
6	19010-27156	· SPRING	1				
7	19010-35456	· SPRING	1				
8	19010-35457	· SPRING	1				
9	19010-35461	· CAP	2				
10	19010-35471	· PLUG	1				
11	19010-38331	· END, spool	1				
12	11100-20516	· SCREW, cap	2				
13	14200-10060	· O-RING	1				
14	14200-10100	· O-RING	1				
15	14203-10017	· O-RING	1				
16	14203-10021	· O-RING	2				
17	14203-10033	· O-RING	1				

F4h040

BLOCK ASSY: No. 8

Item	Part number	Description	Q'ty	Chan.	Serial No.	Serv.	Remarks
0	19010-38317	BLOCK ASSY: No. 8	1				blade
1	19010-04391	· END, spool	1				
2	19010-04351	· HOLDER, spring	2				
3	19010-04356	· SPRING	1				
4	19010-04341	· PLATE, seal	2				
5	19010-04361	· CAP	1				
6	19010-35481	· RING, back-up	2				
7	19010-35426	· PLUNGER	1				
8	19010-04357	· SPRING	1				
9	19010-35471	· PLUG	1				
10	11501-10512	· SCREW	2				
11	14200-00120	· O-RING	2				
12	14200-10100	· O-RING	1				
13	14203-10017	· O-RING	2				
14	14203-10030	· O-RING	1				

F4h090

PILOT VALVE

Item	Part number	Description	Q'ty	Chan.	Serial No.	Serv.	Remarks
0	19017-30400	VALVE ASSY, pilot	1				
0-1	19017-30499	· KIT, seal	1				
1	X 19017-28523	· · PACKING	4				
2	X 14200-00200	· · O-RING	4				
3	X 14205-00600	· · O-RING	1				
4	X 14205-00120	· · O-RING	6				
5	19017-30401	· RETAINER	4				
6	19017-30402	· HOLDER	2				
7	19017-30403	· ROD	2				
8	19017-28501	· JOINT	1				
9	19017-28502	· CAM	1				
10	19017-30406	· PLATE	1				
11	19017-30407	· SHIM t=0.2	4				
12	19017-30408	· SHIM t=0.1	4				
13	19017-30409	· PLATE	1				
14	19017-30410	· ROD	2				
15	19017-30411	· HOLDER	2				
16	19017-30412	· PISTON	4				
17	19017-30415	· RING	4				
18	19017-30416	· SPRING	2				
19	19017-30417	· SPRING	2				
20	19017-30418	· SPRING	2				
21	19017-30419	· SPRING	2				
22	19017-28513	· NUT	1				
23	19017-30422	· SLEEVE	4				
24	11100-50825	· SCREW, cap	2				
25	11100-51020	· SCREW, cap	2				
	C4h161						

STOP VALVE

Item	Part number	Description	Q'ty	Chan.	Serial No.	Serv.	Remarks
0	19017-19800	VALVE ASSY, stop	1				
1	19017-19802	· VALVE	1				
2	19017-19803	· PLATE	1				
3	19017-19804	· RING, snap	1				
4	19017-19805	· PIN, spring	1				
5	14200-10160	· O-RING	2				
6	14200-10200	· O-RING	1				
7	14210-20160	· RING, back-up	1				
8	14210-20200	· RING, back-up	1				

G4h140

## DOZER BLADE CYLINDER

Item	Part number	Description	Q'ty	Chan.	Serial No.	Serv.	Remarks
0	19000-53200	CYLINDER ASSY	1				blade
0-1	19000-54699	· KIT, seal	1				
1	X 19000-47033	· · PACKING, rod	1				
2	X 19000-47034	· · SEAL, dust	1				
3	X 14211-30900	· · RING, back-up	1				
4	X 14201-10900	· · O-RING	1				
5	X 14201-10950	· · O-RING	1				
6	X 19000-50633	· · PACKING, piston	1				
7	19000-54601	· ROD, piston	1				
8	19000-16302	· BUSHING	2				
9	19000-54603	· COVER, rod	1				
10	19000-54606	· PISTON	1				
11	19000-53207	· TUBE	1				
12	19000-16408	· HOLDER, rod packing	1				
13	19000-50632	· RING, wear	2				
14	13330-05530	· BUSHING	1				
15	12210-00075	· RING, snap	1				
16	13900-10350	· BALL, steel	1				
17	11210-50810	· SET-SCREW	1				
18	14322-00055	· SEAL, dust	4				
19	15600-01000	· FITTING, grease	2				

U1h271

## SLEW MOTOR (2/2) (motor sec.)

Item	Part number	Description	Q'ty	Chan.	Serial No.	Serv.	Remarks
0	19031-20600	MOTOR ASSY, slew	1				motor sec.
0-3	X *****	MOTOR, piston	1				
0-4	19039-04999	KIT, seal	1				
1	X 14201-11100	O-RING	1				
2	X 14201-11350	O-RING	1				
3	X 19030-07227	O-RING	1				
4	X 14200-10210	O-RING	2				
5	X 14200-10180	O-RING	1				
6	X 14200-10140	O-RING	2				
7	X 14200-10080	O-RING	2				
8	X 14200-10110	O-RING	1				
9	19039-04901	CASE	1				
10	19039-04902	BEARING, ball	1				
11	19039-04903	SHAFT	1				
12	19039-04504	PLATE, thrust	1				
13	19039-04998	BLOCK, cylinder	1				
14	19031-06808	COLLAR	1				
15	19039-04507	SPRING	1				
16	19039-04508	WASHER	1				
17	12210-00037	RING, snap	1				
18	19039-04510	PIN	3				
19	19031-06813	HOLDER	1				
20	19039-04511	PLATE	1				
21	19039-04514	DISK	1				
22	19039-04515	PISTON	1				
23	19039-04518	SHEET, spring	2				
24	19039-04519	SPRING	1				
25	19039-04921	COVER	1				
26	19031-07927	BEARING	1				
27	12120-00412	PIN	1				
28	19039-04524	PLATE, valve	1				
29	19039-04525	PIN	2				
30	11100-51230	SCREW, cap	5				
31	19018-02713	ORIFICE	1				
32	19018-09200	VALVE ASSY	1				
33	14200-00100	O-RING	1				
34	14200-10120	O-RING	1				
35	14200-10140	O-RING	1				
36	11411-10006	WASHER	1				
37	19039-04535	SPRING	1				
38	19039-04537	PLUG	1				
39	19018-00048	VALVE ASSY, relief	2				
40	14200-10240	O-RING	1				
41	14200-10120	O-RING	1				
42	14210-20120	O-RING	2				
43	19039-04539	VALVE, check	2				
44	19039-04540	SPRING	2				
45	19031-06843	PLUG	2				
46	19129-05325	PLUG	2				
47	19031-08655	PLUG	1				
48	11100-21225	SCREW, cap	2				

E5h211

HYDRAULIC PUMP (1/2) (12820177-)

Item	Part number	Description	Q'ty	Chan.	Serial No.	Serv.	Remarks
0	19020-20000	PUMP, hydraulic	1				
0-1	19020-20099	· KIT, seal	1				
1	X 19020-12013	· · PACKING	1				
2	X 19020-16032	· · SEAL, oil	1				
3	X 14200-10110	· · O-RING	1				
4	X 14200-10120	· · O-RING	3				
5	X 14200-10110	· · O-RING	1				
6	X 19020-16062	· · WASHER, seal	1				
7	X 14200-10070	· · O-RING	1				
8	X 14201-10650	· · O-RING	1				
9	X 14200-10080	· · O-RING	2				
0-2	19029-09800	· BARREL KIT, cylinder	1				
10	X *****	· · BARREL, cylinder	1				
11	X *****	· · PLATE	1				
12	19029-09900	· · PISTON ASSY	10				
13	19029-09808	· · HOLDER	1				
14	19020-16009	· · HOLDER	1				
15	19039-01813	· · NEEDLE	3				
16	19029-09814	· · SPRING	1				
17	19039-02313	· · RETAINER	2				
18	12210-00035	· · RING, snap	1				
19	19020-20001	· SHAFT	1				
20	19020-16010	· PLATE, swash	1				
21	19020-16012	· PIN	2				
22	19020-20015	· SPRING	1				
23	19020-16118	· HOLDER	1				
24	19020-20019	· GUIDE	1				
25	19020-11526	· PIN	1				
26	19020-16021	· ROD	1				
27	19020-20025	· PIN	1				
28	19020-20026	· PIN	1				
29	19020-16027	· PIN	1				
30	13000-06205	· BEARING	1				
31	X *****	· BEARING	1				
32	19020-16033	· WASHER	4				
33	12210-00052	· RING, snap	1				
34	12200-00025	· RING, snap	1				
35	19020-14742	· PLUG	1				
36	11100-21045	· SCREW, cap	5				
37	19020-16049	· PLUG	5				
38	19020-14742	· PLUG	1				
39	12130-00616	· PIN, spring	1				
40	11210-50835	· SET-SCREW	1				
41	11300-50008	· NUT	1				
42	19020-16163	· PLUG	1				
43	14200-10140	· O-RING	1				
44	19029-10000	· PUMP, gear	1				
45	19029-16066	· COUPLING	1				
46	19029-16067	· COLLAR	1				
47	11000-50825	· BOLT	2				
48	19020-19870	· WASHER	2				
49	19029-09000	· BLOCK ASSY, valve	1				
50	11100-50875	· SCREW, cap	3				
51	11400-10008	· WASHER, spring	3				
52	X *****	· BODY (S)	1				
53	X *****	· BODY (H)	1				

## NUMERICAL INDEX

Part number	Page	Item	Part number	Page	Item	Part number	Page	Item	Part number	Page	Item	Part number	Page	Item
03740-08460	3-4	73	03932-19540	3-10	4	03986-10900	5-16	25	04310-03600	1-1	3	05632-19700	2-7	22
03740-08470	3-4	26	03932-19550	3-10	5	03986-12500	5-13	13	04312-00100	1-4	1	05632-24400	2-7	14
03740-09380	3-4	27	03932-19555	3-10	6	03993-00500	7-2	26	04312-00200	1-4	2	05632-30100	2-8	
03751-05100	2-9	13	03932-19556	3-10	7		7-3	26		1-5	2	05632-33600	2-8	
03751-05500	2-9	11	03932-19560	3-10		03993-51205	7-1	5	04312-00300	1-4	3	05635-00600	5-9	7
03751-05510	2-9	11-1		3-11	7	03993-51206	7-1	6		1-5	3	05635-09520	5-5	15
03751-05520	2-9	11-2	03932-19570	3-10	9	03993-51208	7-1	44	04312-00400	1-4	4	05635-11250	5-5	21
03751-05610	2-9	27	03932-19571	3-10	10	03993-51210	7-1	47	04312-00500	1-4	0-1	05635-11260	5-5	22
03752-02100	4-7	2		3-11	8		7-2	33	04313-00400	1-6	4	05635-11500	5-5	18
03786-01600	5-10	5	03932-19590	3-10	8		7-3	30	04313-10200	1-6	2	05635-11510	5-5	19
03786-01610	5-10	5-1	03932-19620	3-10	13	03993-51310	7-4	0	04313-10300	1-6	3	05644-20100	3-12	1
03792-07010	7-5	0		3-11	11	03993-51320	7-4		04313-11100	1-6	0-1	05645-11100	5-18	41
03793-36600	7-4	1	03932-19735	3-11	3	03993-51330	7-4		04313-11300	1-6	1	05645-19550	5-18	36
03793-36800	7-1	42	03932-19745	3-11	4	03993-51340	7-4		04314-00600	1-7	4	05645-27100	5-18	1
	7-2	25	03932-19750	3-11	5	03993-51350	7-4		04314-01100	1-7	1	05645-27200	5-18	2
	7-3	25	03932-19760	3-11	6	03993-51360	7-4		04314-10000	1-7	0-1	05645-27300	5-18	3
03793-37300	7-2	12	03932-19780	3-11	1	03993-51405	7-2	5	04314-10100	1-7	2	05645-27310	5-18	9
	7-3	12	03932-19910	2-8			7-3	5	04314-10200	1-7	3	05645-27320	5-18	4
03793-38300	7-2		03932-19930	2-8		03993-51406	7-2	6	04315-10300	1-8	2	05645-27330	5-18	8
	7-3		03932-21210	2-8			7-3	6		1-9	2	05646-12550	5-18	37
03793-39300	7-2		03935-12310	5-5	14	03993-51505	7-2		04316-10100	1-10	2	05650-17400	4-6	5
	7-3		03935-21400	5-5	24		7-3		04323-00100	1-11	2	05671-27300	2-11	5
03793-40300	7-2		03935-21420	5-5		03993-51506	7-2		04335-03100	5-9	5		2-13	5
	7-3		03935-21650	5-5	13		7-3		04340-06900	3-2	74		2-15	5
03793-45400	7-1	20	03935-21660	5-5	17	03993-51605	7-2			3-4	64		2-17	5
03793-48100	7-4		03942-10350	3-9	12		7-3		04360-07800	6-2	34	05671-27400	2-11	6
03793-54200	7-2		03944-06700	3-12	2	03993-51606	7-2		04360-07900	6-2	42		2-13	6
	7-3			3-13	2		7-3		04362-01200	6-6	2		2-15	6
03932-17220	2-8	8	03944-06903	3-14	2	03993-51705	7-2		04362-01300	6-6	3		2-17	6
03932-19200	2-8	6	03945-12700	5-18	34		7-3		04372-00100	1-14	8	05682-38160	5-2	39
03932-19210	2-8	7	03971-10600	2-11	17	03993-51706	7-2			2-8	27	05686-21800	5-13	3
03932-19410	2-7	17		2-13	17		7-3			6-7	34	05686-21900	5-13	4
03932-19420	2-7	15		2-15	17	03993-55805	7-2		04386-01770	5-10	22	05686-22200	5-13	5
03932-19440	2-7	16		2-17	14		7-3		04473-11300	6-7	8	05686-23300	5-16	3
03932-19450	2-7	18	03973-08620	6-8	2	03993-55806	7-2			6-8	4	05686-23400	5-16	7
03932-19460	2-7	11	03984-01610	5-17	42		7-3		04763-02002	1-13	2	05686-30600	5-16	6
03932-19470	2-7	12	03984-02200	3-17	1	03993-55820	7-2		05632-17400	2-7	21	05686-30800	5-16	5
03932-19510	3-10	1	03984-02300	3-17	15		7-3			2-8	21	05686-30900	5-16	4
03932-19520	3-10	2	03986-03400	5-10	25	04273-32600	6-8	3	05632-17700	2-7	25	05686-33200	5-10	9
03932-19530	3-10	3		5-16	12	04273-90029	6-7	7	05632-18500	2-7	23	05686-33300	5-11	23

CLICK HERE TO **DOWNLOAD** THE COMPLETE MANUAL

- Thank you very much for reading the preview of the manual.
- You can download the complete manual from: [www.heydownloads.com](http://www.heydownloads.com) by clicking the link below



- Please note: If there is no response to CLICKING the link, please download this PDF first and then click on it.

CLICK HERE TO **DOWNLOAD** THE COMPLETE MANUAL