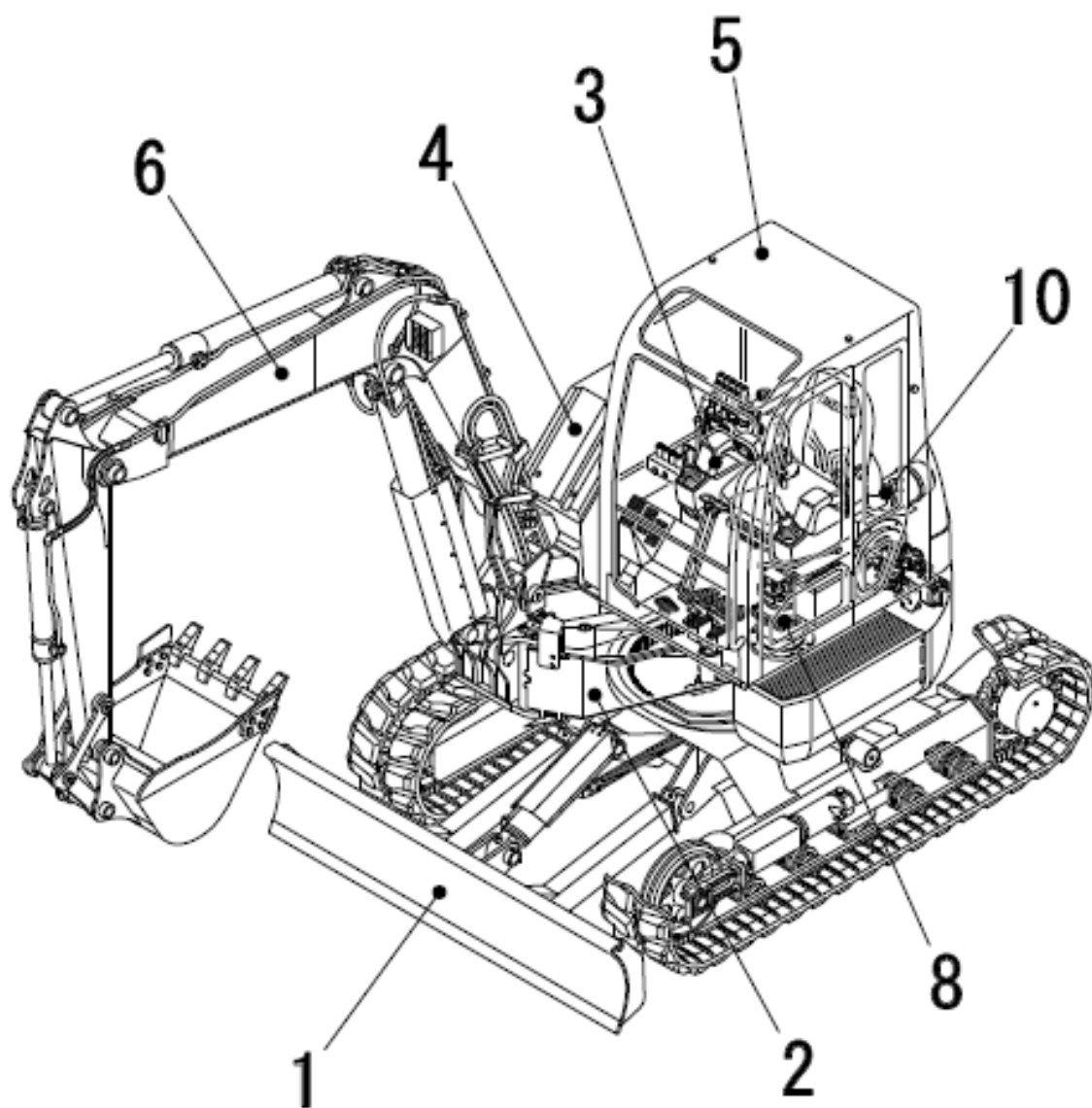


TB180FR

Book No.BL5Z004
Serial No.17830004-



TAKEUCHI

CLICK HERE TO **DOWNLOAD** THE COMPLETE MANUAL

- Thank you very much for reading the preview of the manual.
- You can download the complete manual from: www.heydownloads.com by clicking the link below



- Please note: If there is no response to CLICKING the link, please download this PDF first and then click on it.

CLICK HERE TO **DOWNLOAD** THE COMPLETE MANUAL

CARRIER ROLLER

Item	Part number	Description	Q'ty	Chan.	Serial No.	Serv.	Remarks
		ROLLER ASSY, carrier					X05612-04000-1
0-1	0561204080	ROLLE SUB ASSY	2				
1	0561202100	· ROLLER	1				
2	0561204100	· SHAFT	1				
3	0561202200	· COVER	1				
5	1431203572	· SEAL	1				
6	1300006207	· BEARING	2				
8	1221000072	· RING, snap	1				
9	1501820001	· PLUG	1				
11	1101041675	BOLT	2				
12	1130540016	NUT	2				
	L3a031						

TRAVEL DEVICE

Item	Part number	Description	Q'ty	Chan.	Serial No.	Serv.	Remarks
		MOTOR ASSY, travel					X05616-16500-0
1	0561615100	SPROCKET	2				
2	1903125800	MOTOR, travel	2				
3	1100041640	BOLT	24				
4	1110041440	SCREW, cap	24				
5	1141550014	WASHER	24				
6	1141550016	WASHER	24				
7	1515600201	ADAPTOR	2				
	1420010140	• O-RING	1				
8	1515600202	ADAPTOR	4				
	1420010180	• O-RING	1				
9	1515600576	ADAPTOR	2				
	1420010140	• O-RING	1				
	L5a060						

SLEWING DEVICE

Item	Part number	Description	Q'ty	Chan.	Serial No.	Serv.	Remarks
		DEVICE ASSY, slewing					X05623-19500-1
1	0562313100	PIN, parallel	1				
2	1903125600	MOTOR, slew	1				
3	1106241650	BOLT	8				
4	1141550016	WASHER	8				
5	1515010042	ELBOW	2				
	1420010180	• O-RING	1				
6	1515100113	ELBOW	1				
	1420010240	• O-RING	1				
7	1515600200	ADAPTOR	1				
	1420010110	• O-RING	1				
8	1515600201	ADAPTOR	1				
	1420010140	• O-RING	1				
9	1515012040	ELBOW	1		17830004~17830141		
	1513300022	ELBOW	1	(H)	17830142~		
	1420010110	• O-RING	1				
10	0007213011	BUSHING	1				
	1420010180	• O-RING	1				
11	0007203034	ADAPTOR	1		17830142~		
	1420010110	• O-RING	1				
	L5b011						

OFFSET SWITCH

Item	Part number	Description	Q'ty	Chan.	Serial No.	Serv.	Remarks
		SWITCH ASSY, offset					X05631-34800-0
1	0563124810	BRACKET	1				
2	0563134820	ANGLE	1				
3	0563124830	SWITCH, limit	2				
5	1110040520	SCREW, cap	4				
6	1100041020	BOLT	2				
7	1140020010	WASHER, spring	2				
8	1101041220	BOLT	2				
9	1140020012	WASHER, spring	2				
	L5b050						

PIPING; OPERATION LEVER (2/2)

Item	Part number	Description	Q'ty	Chan.	Serial No.	Serv.	Remarks
		PIPING ASSY					X05671-49500-5
13	0567149630	HOSE ASSY	1				18010-22110
14	0567149640	HOSE ASSY	1				18010-22105
15	0567149650	HOSE ASSY	1				18010-22110
16	0567149660	HOSE ASSY	1				18010-22115
17	0567149670	HOSE ASSY	1				18010-52100
18	0567149680	HOSE ASSY	1				18010-52080
19	0567149690	HOSE ASSY	1				18010-22110
20	0567149700	HOSE ASSY	1				18010-22170
21	0567149710	HOSE ASSY	1				18010-52120
22	0567149720	HOSE ASSY	1				18010-52120
23	0567149730	HOSE ASSY	1				18010-22145
24	0567149740	HOSE ASSY	1				18010-22180
25	0567149750	HOSE ASSY	1				18010-52130
26	0567149760	HOSE ASSY	1				18010-52135
30	0567149800	HOSE ASSY	1				18010-52095
33	0567149830	HOSE ASSY	1				18010-22050
40	1652231250	BAND	2				
	L5b102						

ENGINE & ACCESSORIES (2/3)

Item	Part number	Description	Q'ty	Chan.	Serial No.	Serv.	Remarks
108	0881402595	JOINT	1				
110	1501820002	PLUG	2		17830004~1783#		23245
	L5c023						

Item	Part number	Description	CONTROL BOX		Serial No.	Serv.	Remarks
			Q'ty	Chan.			
		BOX ASSY, control					X05643-35000-8
		BOX ASSY, control (with shut-off valve & 3rd aux. lines)					X05643-35100-8
		BOX ASSY, control (with shut-off valve, without 3rd aux. lines)					X05643-35200-8
1	0334326150	COVER (R.H.)	1				
2	0334327150	COVER (L.H.)	1				
3	0334327250	COVER (L.H.)	1				
4	0870431821	COVER	1				
5	1700550024	ORNAMENT	1				with shut-off valve, without 3rd aux.
8	0564335050	PLATE	1				
9	1653916011	TRIM	1				sold by the meter
10	1703700010	BUZZER	1				
11	1730141330	GAUGE, cluster	1				
11-1	1730140634	• BULB	10				
11-2	1730140652	• METER, hour	1				
11-3	1730140653	• GLASS	1				
11-3-1	1730140654	• • PACKING	1				
12	1700100023	SWITCH, starter	1		17830004~17830069		
	1700100052	SWITCH, starter	1	(H)	17830070~		
12-1	1700100019	KEY	1				
13	1700000010	SWITCH, lamp	1				
14	0564335060	BOX	1				
15	1704300007	SWITCH, wiper	1				
16	1652533019	CAP	1				
	1652533019	CAP	2				with shut-off valve, without 3rd aux.
17	1652060063	BUSHING	1				
18	1110540614	BOLT, sems	10				
20	1100040616	BOLT	1				
21	1100040816	BOLT	4				
22	1100040814	BOLT	3				
23	1120530416	SCREW	4				
24	0564335001	URETHANE	1				
25	0564335002	URETHANE	1				
26	1140020006	WASHER, spring	1				
27	1140020008	WASHER, spring	9				
	1140020008	WASHER, spring	13				with 3rd aux. lines
28	1141110004	WASHER	4				
29	1141110006	WASHER	1				
30	1141110008	WASHER	9				
31	0397313270	COVER (L.H.)	1		17830004~17830561		with shut-off valve
	0374304100	COVER (L.H.)	1	(H)	17830562~	M	with shut-off valve
32	1700100064	SWITCH, foot	1				with 3rd aux. lines
33	1100040820	BOLT	2				
	1100040820	BOLT	6				with 3rd aux. lines
34	1700550032	LAMP, pilot	1				with 3rd aux. lines
35	1653916010	TRIM	1				sold by the meter
36	1652201005	BAND	1				
37	0564335070	HARNES, wiring	1				

L5c062

TRAVEL ALARM

Item	Part number	Description	Q'ty	Chan.	Serial No.	Serv.	Remarks
		ALAME ASSY, travel					X05642-43700-1
1	1703700011	BUZZER	1		17830004~1783#		
	1703700013	BUZZER	1		1783#~		
2	0564247720	BRACKET	1		1783#~		
3	1130040006	NUT	2		17830004~1783#		
	1100040614	BOLT	2		1783#~		
4	1140020006	WASHER, spring	2				
5	1141110006	WASHER	2				
6	1141110008	WASHER	2		1783#~		
7	1140020008	WASHER, spring	2		1783#~		
8	1100040825	BOLT	2		1783#~		
	L5c111						

WINDOW WASHER

Item	Part number	Description	Q'ty	Chan.	Serial No.	Serv.	Remarks
		WASHER ASSY, window					X05689-03000-2
1	0568903100	PLATE	1				
2	0568903200	PLATE	1				
5	1711910101	TANK	1				
6	1711910062	BRACKET	1				
9	1150410612	SCREW	2				
10	1150120616	SCREW	4				
15	1653917011	TRIM	1				sold by the meter
16	1711910080	VALVE, check	1				
17	1652231250	BAND	1				
	L5c140						

PIPING; UPPER (1/5)							
Item	Part number	Description	Q'ty	Chan.	Serial No.	Serv.	Remarks
		PIPING ASSY, upper					X05670-37000-8
		PIPING ASSY, upper (with 2nd aux. lines)					X05670-36900-8
		PIPING ASSY, upper (with 3rd aux. lines)					X05670-36800-8
		PIPING ASSY, upper (with 4th aux. lines)					X05670-36700-8
1	0567037710	HOSE ASSY	1				18025-82094
2	0567037720	HOSE ASSY	1				18025-80078
3	0567037730	HOSE ASSY	1				18028-60170
4	0567037740	HOSE ASSY	1				18010-23040
5	0567037750	HOSE ASSY	1				18010-52050
7	0567037070	HOSE ASSY	1				18010-22175
32	0567037320	HOSE ASSY	1				18010-52030
33	0567037330	HOSE ASSY	1				18010-52105
38	0567037380	HOSE ASSY	1				18010-52110
39	0567037390	HOSE ASSY	1				18010-52060
40	0567037400	HOSE ASSY	1				18010-52100
42	0567037420	HOSE ASSY	1				18010-22060
44	0567037440	HOSE ASSY	1				18010-56070
47	0567037470	HOSE ASSY	1				18010-52070
48	0567037480	HOSE ASSY	1				18010-22090
49	0567037490	HOSE ASSY	1				18010-22130
83	0567037830	GUIDE	1				
84	0567037840	HOLDER	1				
85	1654625020	TRIM	1				sold by the meter
86	1100041020	BOLT	1				
87	1140020010	WASHER, spring	1				
88	1141110010	WASHER	1				
	L5d042						

ACCUMULATOR

Item	Part number	Description	Q'ty	Chan.	Serial No.	Serv.	Remarks
0	0565035700	ACCUMULATOR ASSY	1				X05650-35700-0
1	1552200020	· ACCUMULATOR	1				
2	0007200223	· ADAPTOR	1				
3	1420010140	· O-RING	1				
4	1432160004	· WASHER	1				
	L5d070						

HYDRAULIC TANK

Item	Part number	Description	Q'ty	Chan.	Serial No.	Serv.	Remarks
		TANK ASSY, hydraulic					X05680-35100-5
1	0568035300	TANK	1				
2	0568035102	COVER	1				
3	0568035160	COVER	1				
4	0568035170	PLATE	1				
5	1550000116	FILTER	1				
6	1551102600	FILTER	1				
7	1552000900	BREATHER, air	1				
7-1	1552000902	· ELEMENT	1				
7-8	1552000908	· PACKING	1				
8	1553020685	GAUGE	1				
9	1540141025	VALVE, check	1				
11	1101041225	BOLT	4				
12	1140020012	WASHER, spring	4				
13	1141550012	WASHER	4				
14	1100041020	BOLT	10				
15	1140020010	WASHER, spring	14				
16	1141110010	WASHER	14				
17	1100040614	BOLT	4				
18	1140020006	WASHER, spring	4				
19	1221000042	RING, retaining	1				
20	1420101450	O-RING	2				
21	1420101250	O-RING	1				
23	1515600202	ADAPTOR	1				
	1420010180	· O-RING	1				
25	1515100111	ELBOW	3				
	1420010140	· O-RING	1				
28	1515010041	ELBOW	2				
	1420010140	· O-RING	1				
29	0007256006	PLUG	1				
30	1420010290	O-RING	1				
31	1501750010	PLUG	1				
	1420010290	· O-RING	1				
32	1551100300	VALVE ASSY	1				
33	0007000031	SPRING	1				
34	0568035190	COVER	1				
35	1100041025	BOLT	4				
36	1512370011	TEE	1				
	1420010110	· O-RING	1				
37	1654306056	SPONGE	2				sold by the meter
38	0568035138	SHIM	AR				t=1.6mm
39	0568035139	SHIM	AR				t=2.3mm
40	0323054001	SHIM	AR			M	t=1.0mm
41	0323054002	SHIM	AR			M	t=2.3mm
42	0323054003	SHIM	AR			M	t=3.2mm
	L5d113						

COVER (2/4) (engine hood; 17830004-17830123)

Item	Part number	Description	Q'ty	Chan.	Serial No.	Serv.	Remarks
0-1	0568257100	HOOD, engine (FRP)	1	A	17830004~17830057		X05682-57100-2
	0568256100	HOOD, engine (steel)	1	a (H)	17830058~		X05682-56100-1
1	0568257110	· COVER (FRP)	1		17830004~17830057		
	0568256110	· COVER (steel)	1		17830058~		
3	0568253280	· ABSORBENT, noise	1		17830004~17830057		
	0568256203	· ABSORBENT, noise	1		17830058~		
4	0568253281	· ABSORBENT, noise	1				
5	0568253282	· ABSORBENT, noise	1				
6	0568253283	· ABSORBENT, noise	1				
7	0568256207	· ABSORBENT, noise	1				
8	0568253285	· ABSORBENT, noise	1				
9	0568256209	· INSULATOR	1				
10	0568256210	· SPONGE	1				
11	0568256220	· PLATE	1				
12	1654605172	· RUBBER	1				sold by the meter
13	1654605175	· RUBBER	1				sold by the meter
14	1654605060	· RUBBER	1				sold by the meter
16	1100040820	· BOLT	2				
17	1140020008	· WASHER, spring	2				
19	1141110008	· WASHER	2				
20	0568256211	· SPONGE	1		17830058~		
21	0568256212	· ABSORBENT, noise	1		17830058~		
22	1653900057	DAMPER	2	a			

<<NOTE>>
 "A" is interchangeable with
 SET "a".

L5e021

FLOOR FRAME (2/3)

Item	Part number	Description	Q'ty	Chan.	Serial No.	Serv.	Remarks
0	0563532300	FRAME ASSY	1				X05635-32300-1
1	0563532400	• FRAME	1				
3	0563532330	• PLATE ASSY	1				X05635-32330-2
3-1	0563532331	• • BRACKET	1				
3-2	0563532336	• • INSULATOR	1				
3-3	0563532333	• • INSULATOR	1				
3-4	1654606012	• • SEAL	1				sold by the meter
3-5	0563532334	• • ABSORBENT, noise	1				
3-6	0563532339	• • ABSORBENT, noise	1				
3-7	0563532337	• • ABSORBENT, noise	1				
3-8	0563532338	• • INSULATOR	1				
3-9	0563532325	• • ABSORBENT, noise	1				
4	0563532340	• PLATE ASSY	1				
4-1	0563532390	• • BRACKET	1				
4-2	0563532343	• • INSULATOR	1				
4-3	1654601016	• • TRIM	1				sold by the meter
4-4	1652060075	• • BUSHING	1				
5	0563532350	• PLATE ASSY	1				
5-1	0563532351	• • PLATE	1				
5-2	0563532352	• • INSULATOR	1				
5-3	1654606087	• • SEAL	1				sold by the meter
6	0563532360	• PLATE ASSY	1				
6-1	0563532361	• • PLATE	1				
6-2	0563532362	• • INSULATOR	1				
7	0563532370	• PLATE ASSY	1				
7-1	0563532371	• • PLATE	1				
7-2	0563532372	• • ABSORBENT, noise	1				
8	0563532380	• PLATE	1				
22	0338230850	• COVER	1				
24	1654010600	• POCKET	1				
25	1120530416	• SCREW	4				
26	1141190004	• WASHER	4				
27	1150420816	• SCREW	2				
28	1150420616	• SCREW	2				
29	1150420612	• SCREW	2				
30	1654352067	• SPONGE	1				sold by the meter
31	1654356100	• SPONGE	1				sold by the meter
33	1654356030	• SPONGE	1				sold by the meter
34	1654356028	• SPONGE	3				sold by the meter
36	1654352023	• SPONGE	1				sold by the meter
38	1654356017	• SPONGE	5				sold by the meter
39	1654356011	• SPONGE	2				sold by the meter
44	1100040816	• BOLT	23				
45	1140020008	• WASHER, spring	23				
46	0003608252	• WASHER	23				
	L5e061						

CAB MOUNT

Item	Part number	Description	Q'ty	Chan.	Serial No.	Serv.	Remarks
0	X *****	CAB MOUNT	1				X05686-52200-1
1	0568652300	• CAB ASSY	1				see page (1/7)
4	0568640900	• BOLT	4				
5	0433503100	• RUBBER	8				
6	0003000010	• WASHER	4				
7	0563500600	• TUBE	4				
8	1132080016	• NUT	4				
9	1210010430	• PIN, split	4				
10	1654312100	• SPONGE	1				sold by the meter
11	1654302090	• SPONGE	1				sold by the meter
12	0568652210	• SPONGE	1				
13	0568652220	• SPONGE	1				
	L5e081						

CAB (5/7) (front sash assist)

Item	Part number	Description	Q'ty	Chan.	Serial No.	Serv.	Remarks
0-2	0568652500	ASSIST ASSY, front sash	1				
1	0568652600	▪ SASH ASSY, front	1				see page (7/7)
2	0568652700	▪ ASSIST ASSY (R.H.)	1				see page (6/7)
3	0568652750	▪ ASSIST ASSY (L.H.)	1				see page (6/7)
8	0378603710	▪ PLATE	4				
9	0083252100	▪ WASHER	2				
10	1106690616	▪ BOLT	8				
11	1106690620	▪ BOLT	8				
12	1100090820	▪ BOLT	2				
13	1100090816	▪ BOLT	4				
14	0578600401	▪ WASHER	2				
15	1654011705	▪ WASHER	6				
16	1141190008	▪ WASHER	4				
	L5e290						

CLICK HERE TO **DOWNLOAD** THE COMPLETE MANUAL

- Thank you very much for reading the preview of the manual.
- You can download the complete manual from: www.heydownloads.com by clicking the link below



- Please note: If there is no response to CLICKING the link, please download this PDF first and then click on it.

CLICK HERE TO **DOWNLOAD** THE COMPLETE MANUAL

HEATER (3/3) (17830004-17830417)

Item	Part number	Description	Q'ty	Chan.	Serial No.	Serv.	Remarks
0	1911509410	HEATER UNIT	1				
1	1911509232	▪ COVER	1				
2	1911509234	▪ CORE, heater	1				
3	1911509235	▪ COVER	1				
4	1911509413	▪ FILTER	1				
5	1911509236	▪ HOUSING	1				
6	1911506343	▪ RESISTOR	1				M
7	1911509411	▪ COVER	1				
8	1911509412	▪ COVER	1				
	L5e221						

AIR CONDITIONER (3/7) (air conditioner unit)

Item	Part number	Description	Q'ty	Chan.	Serial No.	Serv.	Remarks
		CONDITIONER ASSY, air					X05646-30500-1
0-3	X *****	UNIT ASSY	1				X05646-31000-7
3	0564531730	▪ BRACKET	1				
4	0564631230	▪ BRACKET	1				
5	0564631120	▪ COVER ASSY	1				see page (5/7)
6	0564630860	▪ BRACKET	1				
11	0564631100	▪ UNIT ASSY, air conditioner	1		17830004~17830099		see page (5/7)
	0564631240	▪ UNIT ASSY, air conditioner	1		17830100~		see page (5/7)
12	0007200016	▪ CONNECTOR	1				
14	1911502200	▪ ADAPTOR	1				
15	1911502300	▪ VALVE	1				
16	1911500500	▪ CLAMP	6				
17	1652241300	▪ BAND	2				
18	1100040816	▪ BOLT	10				
19	1140020008	▪ WASHER, spring	14				
20	1141110008	▪ WASHER	18				
21	0564631200	▪ CLAMP	1				
22	0564631210	▪ RUBBER	1				
23	0564631220	▪ URETHANE	1				
24	0097210300	▪ GUARD	1				
25	1911511860	▪ HOSE	1				sold by the meter
26	1911515165	▪ HOSE	1				sold by the meter
27	1911501820	▪ HOSE	1				sold by the meter
30	1531325012	▪ PROTECTOR	1				sold by the meter
32	1140020006	▪ WASHER, spring	1				
34	1531325100	▪ PROTECTOR	1				sold by the meter
35	1531325090	▪ PROTECTOR	1				sold by the meter
37	1100040650	▪ BOLT	1				
39	1911506008	▪ VALVE, water	1				
52	1531325050	▪ PROTECTOR	1				sold by the meter
53	1531325070	▪ PROTECTOR	1				sold by the meter
56	1100040814	▪ BOLT	4				
57	1110040814	▪ SCREW, cap	4				
58	1140420008	▪ WASHER, spring	4				

L5e123

AIR CONDITIONER (7/7)

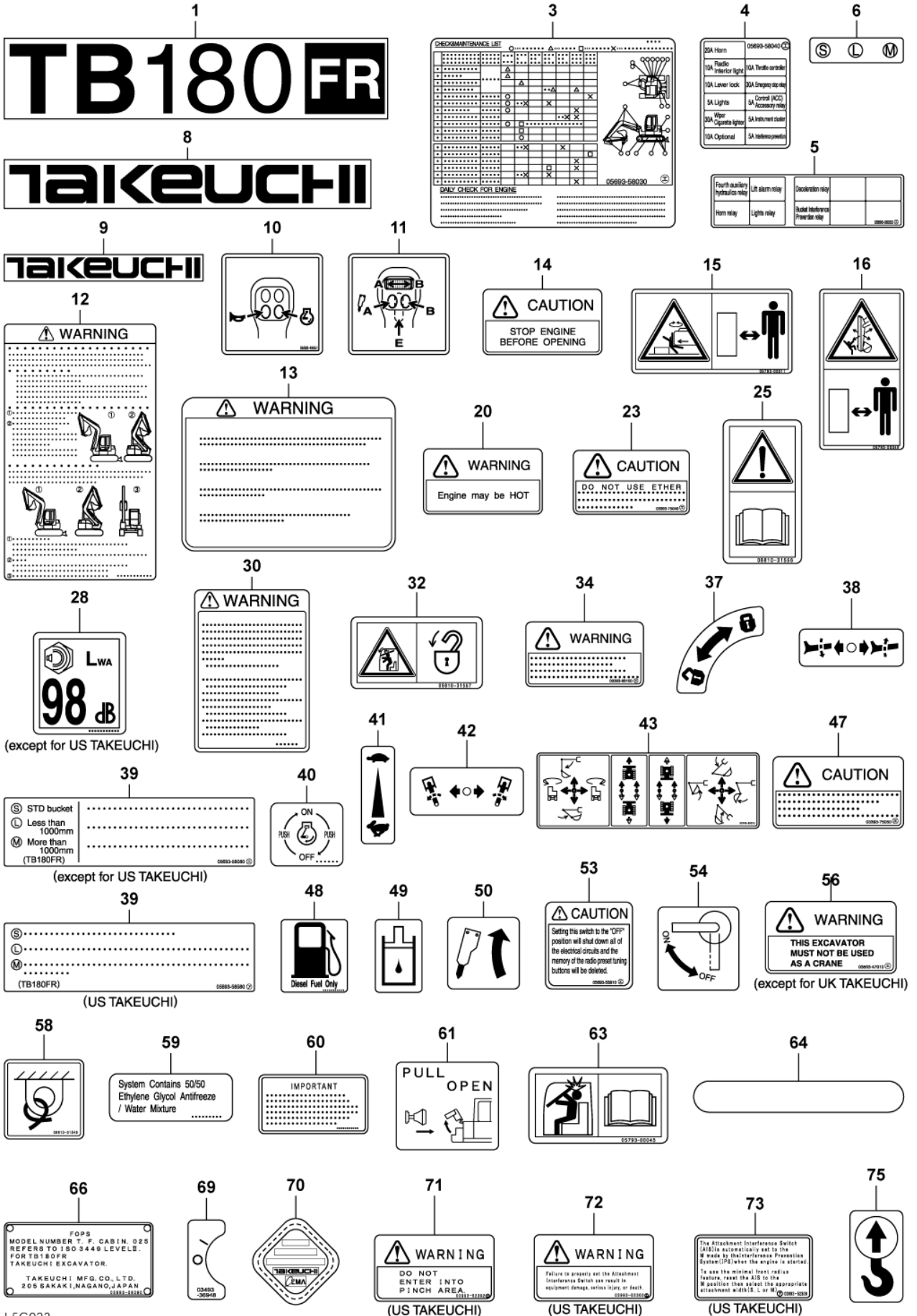
Item	Part number	Description	Q'ty	Chan.	Serial No.	Serv.	Remarks
0	1911509230	UNIT, air conditioner	1				
1	1911509231	· COVER	1				
2	1911509232	· COVER	1				
3	1911509233	· CORE, evaporator	1				
4	1911509234	· CORE, heater	1				
5	1911509235	· COVER	1				
6	1911509413	· FILTER	1				
7	1911509236	· HOUSING	1				
8	1911506343	· RESISTOR	1				M
9	1911505421	· THERMOSTAT	1				M
10	1911505422	· VALVE, expansion	1				M
11	1911509411	· COVER	1				
	L5e231						

BOOM (1/2) (with emergency shut-off valve)

Item	Part number	Description	Q'ty	Chan.	Serial No.	Serv.	Remarks
86	1100040620	BOLT	6				
88	1110040816	SCREW, cap	2				
90	1140020010	WASHER, spring	1				
91	1652533016	CAP	9				
92	1100041020	BOLT	1				
93	0003600025	WASHER	1				
94	1141110014	WASHER	8				
95	0003600094	SHIM	AR				t=0.2mm
96	0003600095	SHIM	AR				t=0.5mm
97	0003600101	SHIM	AR				t=0.2mm
98	0003600170	SHIM	AR				t=1.0mm
99	1132130042	NUT	1				
100	1210010890	PIN, split	1				
101	1652533017	CAP	8				
102	1100560616	BOLT	8				
102		<<NOTE>>					
102		item 2 & item 1 (INTERFERENCE SENSOR)					
102		has interchangeability in a set.					
	L5f033						

AUXILIARY LINES

Item	Part number	Description	Q'ty	Chan.	Serial No.	Serv.	Remarks
0	0567345000	AUXILIARY LINE ASSY	1				X05673-45000-0
	0567345100	AUXILIARY LINE ASSY (long arm)	1				X05673-45100-0
1	0567345015	▪ PIPE (R.H.)	1				
2	0567345020	▪ PIPE (L.H.)	1				
3	1801630115	▪ HOSE ASSY	2				
	1801630146	▪ HOSE ASSY	2				long arm
4	0566030430	▪ HOSE ASSY	2				18025-62240
5	1515100113	▪ ELBOW	2				
	1420010240	▪ ▪ O-RING	1				
6	1901723700	▪ VALVE , stop	2				
7	1515600503	▪ PLUG	2				
	1420010240	▪ ▪ O-RING	1				
8	1534100218	▪ CLAMP	4				
9	1100040816	▪ BOLT	4				
10	1100041045	▪ BOLT	4				
11	1140020008	▪ WASHER, spring	4				
12	1140020010	▪ WASHER, spring	4				
	L5f070						



Item	Part number	Description	DECAL	Q'ty	Chan.	Serial No.	Serv.	Remarks
38	0359325190	• DECAL		1				
39	0569358080	• DECAL (English)		1				
39	0569358180	• DECAL (German)		1				
39	0569358280	• DECAL (French)		1				
39	0569358380	• DECAL (Italian)		1				
39	0569359805	• DECAL (Russian)		1				
39	0569358580	• DECAL (U.S. TAKEUCHI)		1			M	
40	0569335060	• DECAL		1				
40	0569327800	• DECAL (German)		1				
40	0569328800	• DECAL (French)		1				
40	0569329800	• DECAL (Italian)		1				
40	0579300608	• DECAL (Russian)		1				
41	0359317200	• DECAL		1				
42	0329360060	• DECAL		1				
43	0579300015	• DECAL		1				
47	0339375050	• DECAL (English)		1				
47	0339375250	• DECAL (German)		1				
47	0339375450	• DECAL (French)		1				
47	0339375650	• DECAL (Italian)		1				
47	0399356005	• DECAL (Russian)		1				
48	0359306600	• DECAL (English)		1				
48	0339375260	• DECAL (German)		1				
48	0339375460	• DECAL (French)		1				
48	0339375660	• DECAL (Italian)		1				
48	0579300603	• DECAL (Russian)		1				
49	0359306700	• DECAL		1				
50	0359325220	• DECAL		1				
53	0569353810	• DECAL (English)		1				
53	0569353910	• DECAL (German)		1				
53	0569354010	• DECAL (French)		1				
53	0569354110	• DECAL (Italian)		1				
53	0569357903	• DECAL (Russian)		1				
54	0399351210	• DECAL		1				
56	0359347010	• DECAL (English)		1				except for U.K. TAKEUCHI
56	0339375210	• DECAL (German)		1				
56	0339375410	• DECAL (French)		1				
56	0339375610	• DECAL (Italian)		1				
56	0579300609	• DECAL (Russian)		1				
58	0881031549	• АБҮ		4				
59	0359313900	• DECAL		1				
60	0339376240	• DECAL (English)		1				
60	0339376340	• DECAL (German)		1				
60	0339379440	• DECAL (French)		1				
60	0339379540	• DECAL (Italian)		1				
60	0579300613	• DECAL (Russian)		1				
61	0569326400	• DECAL (English)		1				
61	0569327400	• DECAL (German)		1				
61	0569328400	• DECAL (French)		1				
61	0569329400	• DECAL (Italian)		1				
61	0579300607	• DECAL (Russian)		1				
62	X *****	• SCREW		8				
63	0579300045	• DECAL		1				
64	0569358070	• DECAL		2				
66	X *****	• DECAL		1				
67	X *****	• DECAL		1				
68	X *****	• DECAL		1				
69	0349336948	• DECAL		2				
70	X *****	• DECAL		1				
71	0399352302	• DECAL (U.S. TAKEUCHI)		2				
72	0399352303	• DECAL (U.S. TAKEUCHI)		1				
73	0399352309	• DECAL (U.S. TAKEUCHI)		1				
75	0399300500	• DECAL		4				
	L5g013							

SWIVEL JOINT

Item	Part number	Description	Q'ty	Chan.	Serial No.	Serv.	Remarks
0	1904008000	JOINT, swivel	1				
0-1	1904008099	▪ KIT, seal	1				
1	X 1904008006	▪ ▪ SEAL	7				
2	X 1420010800	▪ ▪ O-RING	1				
3	X 1420110950	▪ ▪ O-RING	1				
4	X 1421030800	▪ ▪ RING, back-up	1				
5	X 1904000494	▪ ▪ SEAL, dust	1				
6	X 1904002391	▪ ▪ SEAL, dust	1				
7	1904007401	▪ SHAFT	1				
8	1904007402	▪ HUBE	1				
9	1904003621	▪ FRANGE	1				
10	1904003691	▪ SPACER	1				
11	1904007405	▪ PIN	1				
12	1220000072	▪ RING, snap	1				
13	1100051030	▪ BOLT	4				
14	1501810002	▪ PLUG	3				
15	1140010010	▪ WASHER, spring	4				
	L2h010						

CONTROL VALVE (4/6) (dozer blade)

Item	Part number	Description	Q'ty	Chan.	Serial No.	Serv.	Remarks
0	1901043417	BLOCK ASSY (dozer blade)	1				
1	1901043466	▪ CAP	1				
2	1901043467	▪ CAP	1				
3	1901036631	▪ END, spool	1				
4	1901031857	▪ SPRING	1				
5	1901029754	▪ HOLDER, spring	2				
6	1901036626	▪ POPPET	1				
7	1901036675	▪ PLUG	1				
8	1901031853	▪ SPRING	1				
9	1420010180	▪ O-RING	2				
10	1420000260	▪ O-RING	2				
11	1420100750	▪ O-RING	1				
12	1901043482	▪ O-RING	2				
13	1420010100	▪ O-RING	1				
14	1110020620	▪ SCREW, cap	4				
	L5h170						

SOLENOID VALVE (for air conditioner)

Item	Part number	Description	Q'ty	Chan.	Serial No.	Serv.	Remarks
0	1901746600	VALVE ASSY, solenoid	1				
1	1901734404	▪ SPRING	1				
2	1901746604	▪ SOLENOID	1				
3	1901738312	▪ PLUG	1				
4	1110050512	▪ SCREW, cap	2				
5	1420000160	▪ O-RING	1				
6	1420010110	▪ O-RING	1				
	G4h310						

HANDLE (with 3 switches)

Item	Part number	Description	Q'ty	Chan.	Serial No.	Serv.	Remarks
0	1901741210	HANDLE ASSY	1				
1	1122400312	▪ SCREW	4				
2	1901741211	▪ CASE	1				
3	1901741216	▪ BUTTON	2				
4	1901740402	▪ BUTTON	1				
5	1901741218	▪ BRACKET	1				
6	1901740404	▪ CLIP	1				
7	1122400306	▪ SCREW	2				
8	1901740408	▪ SWITCH	3				
9	1901740412	▪ CAP	2				
10	1901740446	▪ RECEPTACLE	1				
11	1901740447	▪ WEDGE	1				
12	1901740413	▪ PIN	5				
13	1901741263	▪ PIN, BLANKING	3				
14	1901740414	▪ PROTECTOR	1				
15	1901740415	▪ BAND	1				
	L3h500						

SELECTOR VALVE (ISO-JCB pattern)

Item	Part number	Description	Q'ty	Chan.	Serial No.	Serv.	Remarks
0	1901730500	VALVE ASSY, selector	1				
1	1901730501	▪ BODY	1				
2	1901730502	▪ ROTOR	1				
3	1901730503	▪ LEVER	1				
4	1901730504	▪ BOLT	1				
5	1901730505	▪ O-RING	1				
6	1901730506	▪ O-RING	1				
7	1901730507	▪ O-RING	1				
8	1901730508	▪ O-RING	1				
9	1213000412	▪ PIN, spring	3				
10	1220000030	▪ RING, snap	1				
11	1110050514	▪ SCREW, cap	2				
12	1140010005	▪ WASHER, spring	1				
	C4h180						

OFFSET CYLINDER

Item	Part number	Description	Q'ty	Chan.	Serial No.	Serv.	Remarks
0	1900092900	CYLINDER ASSY	1				offset
0-1	1900092999	• KIT, seal	1				
1	X 1900089519	• • RING, buffer	1				
2	X 1900083436	• • PACKING, rod	1				
3	X 1900071832	• • SEAL, dust	1				
4	X 1420111100	• • O-RING	2				
5	X 1900090037	• • RING, back-up	1				
6	X 1420101150	• • O-RING	1				
7	X 1900067333	• • RING, back-up	2				
8	X 1900067331	• • PACKING, piston	1				
9	1900092998	• TUBE KIT	1				
10	1900063402	• • BUSHING	1				
11	1900092997	• ROD KIT, piston	1				
12	1900063702	• • BUSHING	1				
13	1900090003	• COVER, rod	1				
14	1900089513	• BUSHING	1				
15	1900083431	• RING, snap	1				
16	1900092908	• HOLDER	1				
17	1900092916	• SEAL, cushion	2				
18	1900092928	• COLLAR	1				
19	1900092905	• RING, cushion	1				
20	1900092906	• PISTON	1				
21	1900090026	• RING, wear	2				
22	1900090409	• NUT	1				
23	1121051212	• SET-SCREW	1				
24	1390020450	• BALL, steel	1				
25	1900063433	• SEAL, dust	4				
26	1560001000	• FITTING, grease	1				
	L4h201						

LONG DOZER BLADE CYLINDER (17830004-17830327)

Item	Part number	Description	Q'ty	Chan.	Serial No.	Serv.	Remarks
0	1900090400	CYLINDER ASSY	1				long dozer blade
0-1	1900090499	• KIT, seal	1				
1	X 1900067332	• • PACKING, rod	1				
2	X 1900069633	• • SEAL, dust	1				
3	X 1420111150	• • O-RING	1				
4	X 1900086828	• • RING, back-up	1				
5	X 1420101200	• • O-RING	1				
6	X 1900063633	• • PACKING, piston	1				
7	1900090498	• TUBE ASSY	1				
8	1900063402	• • BUSHING	1				
9	1900083533	• • SEAL, dust	2				
10	1900090497	• ROD ASSY, piston	1				
11	1900063402	• • BUSHING	1				
12	1900083533	• • SEAL, dust	2				
13	1900090403	• COVER, rod	1				
14	1900090402	• BUSHING	1				
15	1900090406	• PISTON	1				
16	1900086829	• RING, slide	2				
17	1900090409	• NUT	1				
18	1121051212	• SET-SCREW	1				
19	1390020450	• BALL, steel	1				
20	1900090410	• PIPE ASSY	1				
21	1900090029	• PLUG	1				
22	1420010221	• O-RING	2				
23	1900090017	• HOLDER	1				
24	1900087819	• BOLT	1				
25	1560001000	• FITTING, grease	2				
	L4h231						

TRAVEL MOTOR (2/2) (motor sec.)

Item	Part number	Description	Q'ty	Chan.	Serial No.	Serv.	Remarks
0	1903125800	MOTOR ASSY, travel	2				
0-4	X *****	· MOTOR ASSY	1				X19039-07400
0-5	1903905499	· · KIT, seal	1				
1	X 1903905416	· · · O-RING	1				
2	X 1903905417	· · · O-RING	1				
3	X 1903905419	· · · O-RING	1				
4	X 1420010120	· · · O-RING	2				
5	X 1903905402	· · · SEAL, oil	1				
6	1903907401	· · HOUSING	1				
7	1903907403	· · PISTON	1				
8	1903905404	· · SHAFT	1				
9	1903905405	· · BEARING	1				
10	1903907409	· · BALL	2				
11	1903905407	· · PLATE	1				
12	1903905408	· · PISTON ASSY	9				
13	1903905409	· · RETAINER	1				
14	1903905410	· · BUSHING	1				
15	1903905411	· · SPRING	6				
16	1903905412	· · ROTOR	1				
17	1903905413	· · PLATE	3				
18	1903905414	· · PLATE	3				
19	1903905415	· · PISTON	1				
20	1903905418	· · DISK	1				
0-6	1901809500	· · VALVE, brake	1				
21	1901809501	· · · CASE	1				
22	1901809503	· · · SPOOL	2				
23	1901809504	· · · SPRING	2				
24	1901809505	· · · PLUG	2				
25	1420110240	· · · O-RING	2				
26	1901809506	· · · BALL	1				
27	1901809507	· · · PLUG	1				
28	1901809508	· · · PLUNGER	2				
29	1901809509	· · · SPRING	2				
31	1901809511	· · · NEEDLE	1				
32	1901809512	· · · SPRING	1				
33	1901809513	· · · PLUG	1				
34	1901809514	· · · ADAPTOR	1				
35	1501810003	· · · PLUG	1				
36	1501810002	· · · PLUG	2				
37	1501810001	· · · PLUG	2				
38	1901809515	· · · PLUG	2				
39	1901809516	· · · PIN, spring	1				
40	1901809517	· · · PLUNGER	1				
41	1901809518	· · · SPRING	1				
42	1903905421	· · BEARING	1				
43	1903905422	· · PLATE	1				
44	1110021432	· · SCREW, cap	6				

L5h090

GEAR PUMP

Item	Part number	Description	Q'ty	Chan.	Serial No.	Serv.	Remarks
0	1902017600	PUMP ASSY, gear	1				
0-1	1902017699	▪ KIT, seal	1				
1	X 1902017618	▪ ▪ SEAL, oil	1				
2	X 1902017616	▪ ▪ GASKET	2				
3	X 1902017613	▪ ▪ GASKET	2				
4	X 1902011050	▪ ▪ GASKET	2				
5	X 1902011151	▪ ▪ GASKET	1				
6	X 1902017615	▪ ▪ RING, back-up	2				
7	X 1221000036	▪ ▪ RING, snap	1				
	L3h301						

¼ØÝÁÞÍÄÄ Þ & ÍÞÝËÄÄ CYLINDER HEAD & BONNET

REF NO.	PARTS NO.	Description	Q'ty	I	R	"õll
1	Y129907-07900	ÀØ±¹Þ¶Ä, Þ	1			
2	Y26106-080162	ÂËÞÍÞÙÄ 8X 16	4			
3	Y123907-11550	¼-Ä(ËÞÙÍÞÍÞØÄ¼Þ	8			
4	Y129907-11700	¼ØÝÁÞÍÄÄÞ CMP	1			
9	Y129907-11800	• ËÞÙÍÞ¶Þ²ÄÞ(Ï³ËÝ	16			(1) Ì³ÍÞËËÝÄÞ½
10	Y123907-11820	• ÍÞØÄ¼Þ¶Þ²ÄÞ	8			
11	Y23876-020000	• Ë¼ÞÍß×, ÞPT 1/4	1			
12	Y23876-030000	• Ë¼ÞÍß×, ÞPT 3/8	4			
13	Y27241-400000	• ÛÝ¶ÞÄÍß×, Þ 40	1			
14	Y129907-11110	• ËÞÙÍÞ(EXH	8			
15	Y129907-11120	• ÍÞÝËÞË	16			
16	Y119620-11180	• ÍÞÝËÞËµ»´	16			
17	Y124160-11340	• ËÞÙÍÞ½ÄÑ¼-Û	8			
18	Y124950-11340	• ËÞÙÍÞ½ÄÑ¼-Û	8			
19	Y129907-11510	• ËÞÙÍÞÍÞØÄ¼Þ CMP	8			
21	Y129150-11750	• • ÄÄÄ M8XP1.0	8			
22	Y123907-11830	• • ±¼ÞØ½Ä(ËÞÙÍÞÍÞØÄ¼Þ	8			
		BRIDGE				
23	Y27310-070001	• °ÄÄ-(½ÄÑ)7 2¹=1SET	16			
25	Y129907-11100	• ËÞÙÍÞ¶Þ²ÄÞ(SUC	8			
26	Y119625-11880	Ë½ÞÙ¼-Ä	4			
27	Y24311-000120	ØØÝ, Þ 1A P 12.0	4			
28	Y119593-11301	³°ÐÍÞÙÄ 8X80	2			
29	Y129907-11341	ÍÞÝÛÝ»Íß-Ä CMP	1			
30	Y129907-11250	• ÍÞÝÛÝ¼Þ	1			
31	Y129907-11260	• ÍÞÝÛÝ»Íß-Ä(A	3			
32	Y129907-11270	• ÍÞÝÛÝ»Íß-Ä(B	2			
33	Y123907-11280	• ÄÐÛÄ¼Ø-(ÍÞÝÛÝ¼Þ,	8			
34	Y129907-11650	• ÍÞÝÛÝ(SUC KIT	4			
36	Y129150-11230	• • ±¼ÞØ½Ä (ÍÞÝ½:Ä	4			
37	Y129150-11750	• • ÄÄÄ M8XP1.0	4			
38	Y129907-11660	• ÍÞÝÛÝ(EXH KIT	4			
40	Y129150-11230	• • ±¼ÞØ½Ä (ÍÞÝ½:Ä	4			
41	Y129150-11750	• • ÄÄÄ M8XP1.0	4			
42	Y129907-11920	• ÄÞ²»Þ(Ë½ÞÙµ»´	4			
43	Y26226-080222	• ³°ÐÍÞÙÄ(2D 8X 22	2			
44	Y26106-080402	ÂËÞÍÞÙÄ 8X 40	2			
45	Y26106-080602	ÂËÞÍÞÙÄ 8X 60	4			
46	Y26106-080602	ÂËÞÍÞÙÄ 8X 60	2			
47	Y119802-11870	ÍßÛÄ, Ä(Ë½ÞÙ	4			
48	Y129907-11950	ÂËÞÍÞÙÄ(Ë½ÞÙµ»´ 8X75	4			
49	Y26306-080002	ÂËÞÄ-ÄÄÄ(UBS 8	2			
50	Y124160-01751	ÌÄ(Ï³)	1			
51	Y129907-11320	ÍÞÝËÄÄ CMP	1			
52	Y129907-03011	• ËÞÄÍÛÍßÙ-Ä	1			
53	Y129907-03061	• ËÞÄÍÛ(ÍÞØ-»Þ	1			
54	Y129907-03070	• ËÞÄÍÛ(ÍÞØ-»Þ	1			
55	Y123907-03100	• ÄÞ²ØÌ×Ñ(ÍÞØ-»Þ	1			
56	Y123907-03110	• ¾ÝÄ-ÍßÙ-Ä	1			
57	Y123907-03120	• ÍÄ(ÍÞØ-»Þ	1			
58	Y123907-03140	• ËÞË(ÄÞ²ØÌ×Ñ	1			
61	Y129907-11310	• ÞK(ÍÞÝËÄÄ	1			
62	Y119640-61400	• Íß×, Þ	1			
63	Y22857-500100	• ÄÄËßÝË¼Þ 5.0X10	6			
64	Y22857-500100	• ÄÄËßÝË¼Þ 5.0X10	6			
65	Y124160-11360	ÄÄÄ	4			
66	Y24311-000120	ØØÝ, Þ 1A P 12.0	4			
67	Y24311-000320	ØØÝ, Þ 1A P 32.0	1			
68	Y129907-11910	Ë½ÞÙµ»´	4			
69	Y977770-1207F	¼Ø²-Ý¹² ´¼ÞØ³¶Þ½¹ÄÄ	1			(2) µÍß¼ØÝ ÍÞËÝÄÞ½
70	Y129910-07900	ÀØ±¹Þ¶Ä, Þ	1			

LO $\frac{1}{2}$ ÅÑ LUB.OIL SYSTEM

REF NO.	PARTS NO.	Description	Q'ty
1	Y23000-025000	CLAMP 25	4
2	Y129953-34800	DIPSTICK	1
3	Y24321-000600	O-RING 1A G-60.0	1
4	Y129150-35152	FILTER 80X80L	1
5	Y129900-32030	O-RING P20	1
6	Y129900-35000	PIPE ASSY, LUB. OIL	1
7	Y26106-080122	BOLT M 8X 12 PLATED	2
8	Y121520-34810	GUIDE, DIPSTICK	1
9	Y114250-39450	SWITCH,(0.5KG)L.O.	1
10	Y129907-39061	PIPE ASSY, LUB. OIL	1
12	Y123907-39500	• SUPPORT,PIPE	1
14	Y129005-59830	BOLT ASSY, JOINT	2
15	Y22190-080002	• SEAL WASHER 8S	2
16	Y23857-030000	• JOINT BOLT 3	2
17	Y22190-080002	SEAL WASHER 8S	2
18	Y26106-080122	BOLT M 8X 12 PLATED	1
19	Y121750-59890	CLAMP 140	1
20	Y26106-080122	BOLT M 8X 12 PLATED	2
21	Y22190-080002	SEAL WASHER 8S	2
22	Y129908-33010	COOLER ASSY, OIL	1
23	Y123912-33050	• O-RING	1
24	Y123912-33100	BOLT, L.O.COOLER	1
25	Y129908-33101	BRACKET,OIL COOLER	1
26	Y129006-44480	JOINT	1
27	Y129908-49060	PIPE, COOLING WATER	1
28	Y129466-49300	ELBOW PT3/8	1
29	Y123910-49600	PIPE, C.W.	1
31	Y123910-49610	• PROTECTOR,CW-T	1
32	Y121550-49111	JOINT PT1/4	1

CLICK HERE TO **DOWNLOAD** THE COMPLETE MANUAL

- Thank you very much for reading the preview of the manual.
- You can download the complete manual from: www.heydownloads.com by clicking the link below



- Please note: If there is no response to CLICKING the link, please download this PDF first and then click on it.

CLICK HERE TO **DOWNLOAD** THE COMPLETE MANUAL