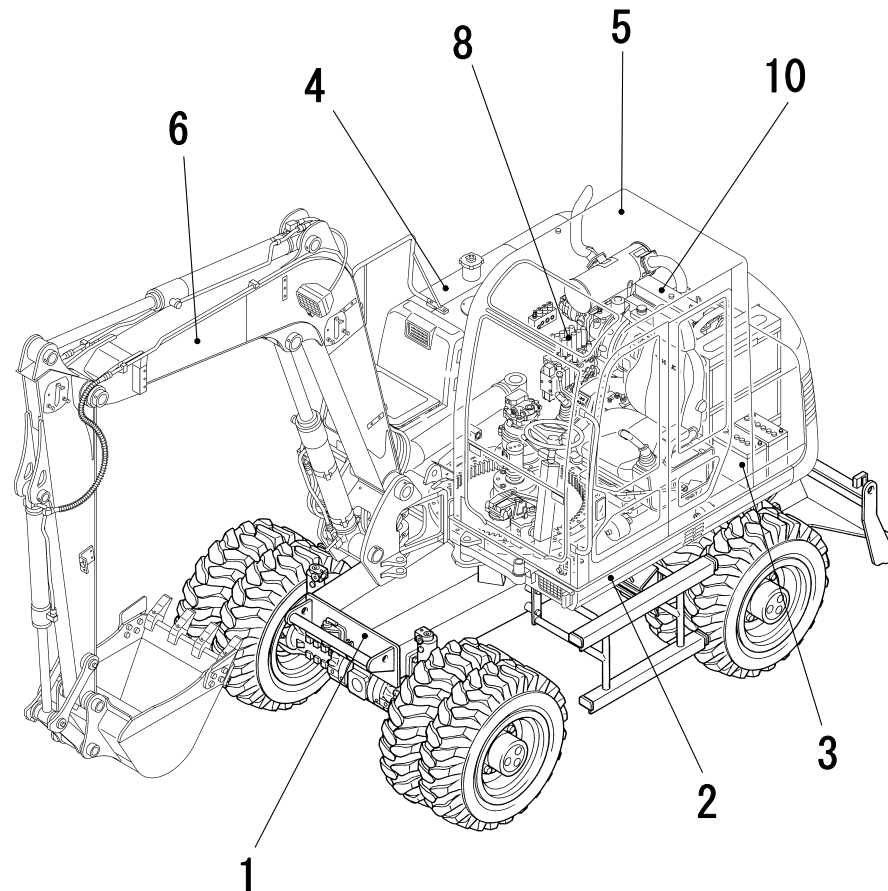


TB175W

Book No. BW2Z008-1
Serial No. 17520003-



TAKEUCHI

CLICK HERE TO **DOWNLOAD** THE COMPLETE MANUAL

- Thank you very much for reading the preview of the manual.
- You can download the complete manual from: www.heydownloads.com by clicking the link below



- Please note: If there is no response to CLICKING the link, please download this PDF first and then click on it.

CLICK HERE TO **DOWNLOAD** THE COMPLETE MANUAL

Page	INDEX
1-1	UNDERCARRIAGE (17520003-17520038)
1-2	UNDERCARRIAGE (17520039-)
1-3	UNDERCARRIAGE (with outrigger; 17520349-)
1-4	DOZER BLADE
1-5	DOZER BLADE (with outrigger; 17520349-)
1-6	ROTATING SHAFT (with outrigger; 17520349-)
1-7	PIPING; LOWER (1/3) (17520003-17520038)
1-8	PIPING; LOWER (2/3) (17520003-17520038)
1-9	PIPING; LOWER (3/3) (17520003-17520038)
1-10	PIPING; LOWER (17520039-17520067)
1-11	PIPING; LOWER (17520068-)
1-12	PIPING; LOWER (with outrigger; 17520349-)
1-13	FRONT AXLE (1/6)
1-14	FRONT AXLE (2/6) (17520003-17520038)
1-15	FRONT AXLE (2/6) (17520039-)
1-16	FRONT AXLE (3/6) (17520003-17520038)
1-17	FRONT AXLE (3/6) (17520039-)
1-18	FRONT AXLE (4/6) (17520003-17520038)
1-19	FRONT AXLE (4/6) (17520039-)
1-20	FRONT AXLE (5/6) (17520003-17520038)
1-21	FRONT AXLE (5/6) (17520039-)
1-22	FRONT AXLE (6/6) (17520003-17520038)
1-23	FRONT AXLE (6/6) (17520039-)
1-24	REAR AXLE (1/7)
1-25	REAR AXLE (2/7) (17520003-17520067)
1-26	REAR AXLE (2/7) (17520068-)
1-27	REAR AXLE (3/7) (17520003-17520038)
1-28	REAR AXLE (3/7) (17520039-17520067)
1-29	REAR AXLE (3/7) (17520068-)
1-30	REAR AXLE (4/7) (17520003-17520038)
1-31	REAR AXLE (4/7) (17520039-17520067)
1-32	REAR AXLE (4/7) (17520068-)
1-33	REAR AXLE (5/7) (17520003-17520038)
1-34	REAR AXLE (5/7) (17520039-)
1-35	REAR AXLE (6/7) (17520003-17520038)
1-36	REAR AXLE (6/7) (17520039-)
1-37	REAR AXLE (7/7) (17520003-17520038)
1-38	REAR AXLE (7/7) (17520039-)
1-39	WHEEL; RIGHT
1-40	WHEEL; LEFT
1-41	TOOL BOX
1-42	SWIVEL JOINT & ACCESSORIES
1-43	SLEW BEARING
2-1	SLEWING DEVICE
2-2	TURNTABLE (17520003-17520208)
2-3	TURNTABLE (17520209-)
2-4	BOOM SWING (17520003-17520208)
2-5	BOOM SWING (17520209-17520408)
2-6	BOOM SWING (17520409-)
2-7	SWING STOPPER
2-8	SLEWING LOCK
2-9	SWING PEDAL
2-10	DOZER BLADE LEVER
2-11	ACCELERATOR PEDAL
2-12	BRAKE PEDAL

Item	Part number	Description	Q'ty	Chan.	UNDERCARRIAGE (17520039-)	
					Serial No.	Serv. Remarks
		UNDERCARRIAGE			17520039~17520067	XNB5000530
		UNDERCARRIAGE			17520068~	XNB5000531
1	NB4010060	UNDERCARRIAGE	1			
2	NB943800998	BLADE	1			
4	NB9305247	SWIVEL-CONNECT.	1			
5	NB989505755	SCREW	3			
6	NB943800996	ASCENT	1			
7	NB943800995	ASCENT	1			
9	NB1011353	AXLE	1			
10	NB943800992	AXLE	2			
11	NB529403015	NUT	3			
12	NB943800991	GISTA-PROFILE	1			
14	NB943800990	REFLECTOR	2			
15	NB1436571	PIPE	1			
16	NB943800988	PLATE	2			
17	NB943800987	THRUST PLATE	2			
18	NB943800986	BUSH	4			
19	NB9390242	STEERING AXLE	1			
20	NB9390243	REAR AXLE	1		17520039~17520067	
	NB9390244	REAR AXLE	1		17520068~	
21	NB9380461	CARDAN SHAFT	1		17520039~17520067	
	NB9380463	CARDAN SHAFT	1		17520068~	
22	NB9300458	VARIABLE MOTOR	1		17520039~17520067	
	NB9300233	VARIABLE MOTOR	1		17520068~	
23	NB989342047	CYLINDER	2			
25	NB989342037	OSCILL. AXLE CYLINDER	2			
26	NB560502054	UNION	1			
27	NB9350201	WHEEL, RIGHT	4			
28	NB989350138	RING	4			
29	NB943800908	BRAKE SHOE	2			
30	NB9360197	CAP	12			
31	NB989331704	SPACER RING	8			
32	NB9320342	LUBRICATOR	3			
34	NB989604540	EXTENSION	4			
35	NB989623489	PLUG	2			
36	NB516278154	SCREW	11			
37	NB543601009	WASHER	3			
39	NB989501482	SCREW	4			
40	NB5162803	SCREW	8			
42	NB5197213	SCREW	4			
43	NB9501444	SCREW	16			
44	NB0723141300	SCREW	6			
45	NB9350202	WHEEL	4			
46	NB0811202600	NUT	8			
48	NB9510335	NUT	16			
49	NB989530812	WASHER	19			
51	NB542545003	WASHER	8			
54	NB543810013	WASHER	4		17520039~17520067	
	NB542545001	WASHER	4		17520068~	
55	NB989531812	COTTER	2			
63	NB543101366	SHIM	4			

W2a032

Item	Part number	Description	Q'ty	Chan.	Serial No.	ROTATING SHAFT (with outrigger; 17520349-) Serv. Remarks
0	NB2230232	ROTATING SHAFT				
9	NB989621794 W2a260	BUSH	4			

PIPING: LOWER (17520068-)

Item	Part number	Description	Q'ty	Chan.	Serial No.	Serv.
		HYDRAULIC PLANT				
1	NB981436514	PIPE	1			
2	NB981436513	PIPE	1			
3	NB989341011	SHUTTLE VALVE	1			
4	NB989321526	UNION	6			
5	NB943800912	GUARD	1			
6	NB989505788	SCREW	6			
7	NB989580557	HOSE LINE	2			
8	NB519701072	SCREW	2			
9	NB989583160	HOSE LINE	2			
10	NB989330538	FLANGE	4			
11	NB989330684	FLANGE COUPLING	2			
12	NB989331914	FLANGE COUPLING	2			
13	NB989370797	O-RING	2			
14	NB989583158	HOSE LINE	2			
15	NB989413260	CLIP	2			
16	NB560502057	UNION	1			
17	NB989320478	UNION	5			
18	NB989331671	UNION	1			
19	NB989370079	SEAL	1			
20	NB560503442	UNION	3			
21	NB560503444	UNION	1			
22	NB989501492	SCREW	2			
23	NB560503482	UNION	1			
24	NB542501014	WASHER	2			
25	NB989320652	UNION	10			
26	NB989320535	UNION	1			
27	NB560502423	UNION	1			
28	NB560502285	UNION	1			
29	NB989341253	VALVE BLOCK	1			
30	NB989321457	UNION	1			
31	NB989321070	UNION	2			
32	NB560503462	UNION	2			
33	NB9580626	HOSE LINE	1			
34	NB989413344	CLIP	1			
35	NB989604479	CABLE STRIP	6			
36	NB989580559	HOSE LINE	1			
37	NB9581944	HOSE LINE	1			
38	NB9580513	HOSE LINE	1			
39	NB758771305	HOSE LINE	1			
40	NB9580628	HOSE LINE	2			
41	NB989583159	HOSE LINE	2			
42	NB9580627	HOSE LINE	1			
43	NB989580565	HOSE LINE	1			
44	NB9580625	HOSE LINE	2			
45	NB989580567	HOSE LINE	2			
46	NB989413194	CLIP	3			
47	NB989413195	CLIP	1			
48	NB989413174	CLIP	1			
49	NB560502723	UNION	1			
50	NB9560107	BANJO BOLT	2			
51	NB9370023	SEAL	3			
52	NB9604837	SEAL	1			
53	NB9580466	HOSE LINE	1			
54	NB9580470	HOSE LINE	1			

Remarks
XNB4090067

FRONT AXLE (2/6) (17520039-)

Item	Part number	Description	Q'ty	Chan.	Serial No.	Serv.	Remarks
0	NB9390417	HOUSING	1				
1	NB2000000713	· O-RING	3				
2	NB9390291	· COVER	1				
3	NB9390292	· BREATHER	1				
4	NB9390293	· BUSH	2				
5	NB9390282	· PLUG	1				
7	NB2000000719	· RETAINING RING	1				
8	NB9390294	· PLUG	1				
9	NB9390295	· PLUG	1				
10	NB9390296	· HOUSING	1				
11	NB9390297	· HOUSING	1				
12	NB2000000725	· LUBRICATOR	2				

W2a091

FRONT AXLE (4/6) (17520039-)

Item	Part number	Description	Q'ty	Chan.	Serial No.	Serv.	Remarks
0	NB9390419	WHEEL HUB	2				
1	NB2000000767	· NUT	2				
2	NB9390317	· SCREW	2				
3	NB9390318	· AXLE BEAM	2				
4	NB9390319	· SCREW	32				
5	NB9390320	· WASHER	32				
6	NB9390321	· BUSH	2				
7	NB2000000816	· SEAL	2				
8	NB2000000817	· BALL BEARING	2				
9	NB2000000818	· RETAINING RING	2				
10	NB9390322	· O-RING	2				
11	NB9390323	· JOINT	2				
12	NB9390324	· BUSH	2				
13	NB9390325	· BUSH	2				
14	NB9390326	· SCREW	20				
15	NB9390327	· COVER	2				
16	NB2000000840	· PLUG	4				
17	NB2000000725	· LUBRICATOR	4				
18	NB9390328	· PIVOT PIN	2				
19	NB9390329	· PIVOT PIN	2				
20	NB9390330	· SEAL	4				
21	NB9390331	· JOINT	2				
22	NB9390332	· JOINT HOUSING, L. H.	1				
23	NB9390333	· SEAL	2				
25	NB9390295	· PLUG	2				
26	NB9390282	· PLUG	4				
27	NB9390334	· JOINT HOUSING, R. H.	1				
28	NB9390335	· SEAL	2				
29	NB9390336	· BEARING	4				
30	NB2000000782	· WHEEL BOLT	16				
31	NB9390337	· WHEEL HUB	2				
32	NB2000000713	· O-RING	2				
33	NB9390338	· RING GEAR	2				
34	NB9390339	· RING GEAR CARR.	2				
35	NB9390340	· RETAINING RING	6				
36	NB9390341	· PLANET GEAR	6				
37	NB9390342	· BEARING	6				
38	NB2000000785	· WHEEL NUT	16				
40	NB9390343	· SCREW	4				
41	NB9390344	· HOUSING	2				
42	NB9390345	· STUD	16				
43	NB9390346	· NUT	16				
44	NB9390347	· RETAINING RING	2				
45	NB9390348	· SCREW	4				
46	NB2000000820	· NUT	4				
49	NB9390349	· TAB WASHER	2				
50	NB2000000719	· RETAINING RING	2				
57	NB9390350	· SHIM	2				
59	NB9390353	· HOUSING	2				
66	NB9390354	· JOINT HOUSING	1				
67	NB9390355	· JOINT HOUSING	1				

W2a111

REAR AXLE (1/7)						
Item	Part number	Description	Q'ty	Chan.	Serial No.	Serv. Remarks
0	NB9390241	AXLE	1		17520003~17520038	
	NB9390243	AXLE	1		17520039~17520067	
	NB9390244	AXLE	1		17520068~	
1	NB9390286	· TRANSMISSION	1		17520039~17520067	see page (1-21)
	NB9390445	· TRANSMISSION	1		17520068~	see page (1-22)
2	NB9390290	· HOUSING	1		17520003~17520038	see page (1-23)
	NB9390422	· HOUSING	1		17520039~17520067	see page (1-24)
	NB9390443	· HOUSING	1		17520068~	see page (1-25)
3	NB9390287	· DIFFERENTIAL	1		17520003~17520038	see page (1-26)
	NB9390423	· DIFFERENTIAL	1		17520039~17520067	see page (1-27)
	NB9390444	· DIFFERENTIAL	1		17520068~	see page (1-28)
4	NB9390289	· WHEEL HUB	2		17520003~17520038	see page (1-29)
	NB9390424	· WHEEL HUB	2		17520039~	see page (1-30)
5	NB2000000850	· BRAKE	2		17520003~17520038	see page (1-31)
	NB9390425	· BRAKE	2		17520039~	see page (1-32)
	W2a141					

REAR AXLE (3/7) (17520039-17520067)

Item	Part number	Description	Q'ty	Chan.	Serial No.	Serv.	Remarks
0	NB9390422	HOUSING	1				
1	NB9390372	· HOUSING	1				
2	NB9390292	· BREATHER	1				
3	NB9390373	· COVER	1				
4	NB9390282	· PLUG	1				
6	NB9390295	· PLUG	1				
7	NB9390291	· COVER	1				
8	NB2000000713	· O-RING	3				
	W2a161						

REAR AXLE (5/7) (17520003-17520038)

Item	Part number	Description	Q'ty	Chan.	Serial No.	Serv.	Remarks
0	NB9390289	WHEEL HUB	1				
1	NB9390280	· AXLE BEAM	2				
2	NB2000000782	· WHEEL BOLT	16				
3	NB2000000778	· O-RING	2				
4	NB2000000780	· SPACER RING	2				
5	NB9390281	· SEAL	2				
6	NB2000000781	· ROLLER BEARING	4				
7	NB2000000936	· HUB	2				
8	NB2000000785	· WHEEL NUT	16				
9	NB2000000784	· O-RING	2				
10	NB2000000805	· WASHER	2				
11	NB2000000786	· SNAP RING	2				
12	NB2000000938	· SEAL	2				
13	NB2000000939	· RING GEAR CARR.	2				
14	NB2000000788	· PIN	8				
15	NB2000000789	· TAB WASHER	2				
16	NB2000000791	· RING GEAR	2				
17	NB2000000792	· RETAINING RING	2				
18	NB2000000793	· THRUST WASHER	2				
19	NB2000000794	· HOUSING	2				
21	NB9390282	· PLUG	2				
22	NB2000000798	· PIN	6				
23	NB2000000797	· O-RING	6				
24	NB2000000799	· SCREW	4				
25	NB2000000801	· PLANET GEAR	6				
26	NB2000000800	· NEEDLE BEARING	12				
27	NB2000000825	· SPACER RING	6				
28	NB2000000802	· THRUST WASHER	6				
29	NB2000000942	· SHAFT	2				
30	NB2000000803	· SCREW	8				
31	NB2000001038	· SCREW	24				
33	NB2000000824	· STUD	4				
34	NB2000000821	· NUT	4				
40	NB2000000806	· WASHER	2				
41	NB2000000807	· WASHER	2				
42	NB2000000937	· WASHER	2				
43	NB2000000808	· WASHER	2				

W2a180

REAR AXLE (7/7) (17520039-)

Item	Part number	Description	Q'ty	Chan.	Serial No.	Serv.	Remarks
0	NB9390446	GEAR PARTS	1				
1	NB2000000861	· DRIVE SHAFT	1				
2	NB2000000878	· GEAR	1				
3	NB2000000863	· GEAR	1				

W2a201

Item	Part number	Description	Q'ty	Chan.	Serial No.	Serv.	SLEW BEARING Remarks
							X05620-17000-0
1	1913004750	BEARING ASSY, slew	1				
1-1	1913004758	BEARING	1				
1-2	1913004759	- SEAL	1				
2	0562012100	- SEAL	1				
3	1101041675	BOLT	29				
4	1101041655	BOLT	30				
5	1141550016	BOLT	59				
	W2a020	WASHER					

Item	Part number	Description	Q'ty	BOOM SWING (17520209-17520408)			Remarks
				Chan.	Serial No.	Serv.	
		SWING ASSY, boom					X05631-33000-0
1	0563128100	BRACKET	1	A	old type		
	0563133100	BRACKET (casting)	1	a(H)	new type		repair parts
2	0563127200	PIN	1				
3	0563127300	PIN	1				
4	0563114200	PIN	2	A	old type		
	0563114200	PIN	1	a	new type		
5	0563120400	WASHER	1	A	old type		
6	0563114300	PLATE	2				
7	1101041440	BOLT	4	A	old type		
	1101041450	BOLT	4	a(H)	new type		
8	1100341400	BOLT	2	A	old type		
	1100341430	BOLT	2	a(H)	new type		
9	1130040014	NUT	4				
10	1140020014	WASHER, spring	4				
11	0563122700	PIN	1	a	new type		
12	1515010042	ELBOW	2				
	1420010180	O-RING	1				
13	1900091100	CYLINDER, swing	1				
14	1652062006	CAP	2				
15	0003600148	SHIM	AR				t=2.9mm
16	0003600104	SHIM	AR				t=1.6mm
17	0003600103	SHIM	AR				t=1.0mm
18	0003600102	SHIM	AR				t=0.5mm
19	0003600101	SHIM	AR				t=0.2mm
20	0563120401	WASHER	2	a	new type		t=4.5mm
21	0563120402	WASHER	2	a	new type		t=5.0mm
22	0563120403	WASHER	2	a	new type		t=5.5mm

<<NOTE>>

SET "A" is interchangeable with SET "a".

W2b181

Item	Part number	Description	Q'ty	Chan.	Serial No.	Serv.	DOZER BLADE LEVER Remarks
							X05633-08000-0
1	0563302100	LEVER ASSY, blade	1				
1-8	1333002025	LEVER	1				
2	0563307100	BUSHING	1				
3	0563306400	BRACKET	1				
4	0563300300	COVER	1				
5	0563217400	CABLE, control	1				
6	1225000005	YOKE	2				
7	0004006017	WASHER	2				
8	1214000006	PIN	2				
9	1100090612	PIN, snap	2				
10	1100040630	BOLT	2				
11	1100090835	BOLT	2				
12	1130040006	BOLT	4				
13	1140090006	NUT	2				
14	1140090008	WASHER, spring	2				
15	1141190006	WASHER, spring	6				
16	1222016020	WASHER	2				
17	1650153655	RING, retaining	1				
18	0093208300	GRIP	1				
19	1711900039	WASHER	2				
20	1652533019	LIGHTER	1				
21	1100090820	CAP	1				
22	1141190008	BOLT	2				
23	0872433150	WASHER	2				
25	0563308100	TUBE	4				
	W2b060	HINGE	1				

STEERING UNIT (2/2)

Item	Part number	Description	Q'ty	Chan.	Serial No.	Serv.	Remarks
0	NB9302274	STEERING UNIT	1				
0-1	NB2000001084	· SEAL KIT	1				
1	NB2000001053	· · JOINT	1				
2	NB2000001056	· · O-RING	1				
3	NB2000001060	· · WASHER	1				
4	NB2000001066	· · O-RING	2				
5	NB2000001071	· · O-RING	1				
6	NB2000001074	· · RING	1				
7	NB2000001075	· · SCREW	1				
8	NB2000001079	· JOINT	2				
9	NB2000001080	· SCREW	2				
10	NB2000001052	· HOUSING	1				
11	NB2000001054	· BEARING	1				
12	NB2000001055	· BALL	1				
13	NB2000001057	· SLEEVE	1				
14	NB2000001058	· ROLLER	1				
15	NB2000001059	· SHAFT	1				
16	NB2000001061	· RING	3				
17	NB2000001062	· FILLING PART	1				
18	NB2000001063	· BALL	1				
19	NB2000001064	· GEAR	1				
20	NB2000001065	· RING	1				
21	NB2000001067	· COVER	1				
22	NB2000001068	· SCREW	6				
23	NB2000001069	· SCREW	1				
24	NB2000001070	· VALVE INSERT	1				
25	NB2000001072	· SPRING	1				
26	NB2000001073	· SCREW	1				
27	NB2000001076	· VALVE CONE	2				
28	NB2000001077	· SPRING	2				
29	NB2000001078	· SCREW	2				
30	NB2000001081	· VALVE	1				
31	NB2000001082	· SPRING	4				
32	NB2000001083	· SPRING	2				

W2b160

Item	Part number	Description	Q'ty	Chan.	Serial No.	Serv.	Remarks	ARM REST
3	0563600300	REST ASSY, arm	1				X05636-00000-2	
5	1110090820	REST, arm	3					
6	1140490008	SCREW, cap	3					
7	1141190008	WASHER, spring	3					
	L3b090	WASHER	3					

PIPING: OPERATION LEVER (1/3) (17520466-)

Item	Part number	Description	Q'ty	Chan.	Serial No.	Serv.	Remarks
		PIPING ASSY					X05671-50100-1
		PIPING ASSY (2-piece boom)					X05671-50000-1
1	0567137010	HOSE ASSY	1				19348-22255
2	0567137020	HOSE ASSY	1				19348-22215
3	0567137030	HOSE ASSY	1				19348-52215
4	0567137040	HOSE ASSY	1				19348-22255
5	0567147050	HOSE ASSY	1				19348-22185
6	0567147060	HOSE ASSY	1				19348-22190
7	0567138070	HOSE ASSY	1				19348-22175
8	0567137080	HOSE ASSY	1				19348-22285
9	0567138090	HOSE ASSY	1				19348-22170
10	0567147100	HOSE ASSY	1				19348-22165
11	0567138110	HOSE ASSY	1				18010-22100
12	0567138120	HOSE ASSY	1				18010-22110
19	0567147190	HOSE ASSY	1				19348-52100
23	0567138230	HOSE ASSY	1				19348-52070
24	0567138240	HOSE ASSY	1				19348-52068
31	0567148820	HOSE ASSY	1				4-G3/8X2100
32	0567138320	HOSE ASSY	1				19348-22150
33	0567138330	HOSE ASSY	1				19348-22125
34	0567138340	HOSE ASSY	1				19348-22125
35	0567147350	HOSE ASSY	1				18010-22110
49	0567147490	HOSE ASSY	1				19348-52068
63	0567147630	HOSE ASSY	1				4-G3/8X1650
64	0567147640	HOSE ASSY	1				19348-52046
68	1531335020	PROTECTOR	3				sold by the meter
69	1531335050	PROTECTOR	1				sold by the meter
70	1531345025	PROTECTOR	1				sold by the meter
71	1531345050	PROTECTOR	2				sold by the meter
72	1567525045	HOSE	2				
73	1567535000	CUFF	1				
	W2b221						

ENGINE & ACCESSORIES (3/3) (17520003-17520208)

Item	Part number	Description	Q'ty	Chan.	Serial No.	Serv.	Remarks
		ENGINE ASSY					X05640-30000-8
5	0564030140	STAY	1				
10	0564030190	BRACKET (L. H.)	1				
11	0564030200	BRACKET (R. H.)	1				
12	0564030210	BRACKET	1				
13	0564030220	BRACKET	1				
14	0564030230	NET	2				
15	0564025260	BRACKET	1				
19	0564026360	JOINT	1				
20	0564028240	SHROUD	1				
21	0564028250	GUARD	1				
22	0564026340	PLATE	1				
23	0564030023	SPONGE	1				
24	0564030024	SPONGE	1				
25	0564030025	SPONGE	1				
26	0564030026	SPONGE	1				
27	0564028310	SPONGE	2				
28	0564026029	SPONGE	2		17520003~17520048		
	0564026029	SPONGE	1		17520049~		
31	1910160002	RADIATOR	1				Y129953-44530
34	1910146020	TANK, sub	1				Y129466-44510
35	0564028400	HOSE	1				
36	0564028410	HOSE	1				
37	0564028420	HOSE	1				
40	1910116047	BAND	8				Y23000-054000
42	1910173003	COOLER, oil	1				Y129953-44940
43	1910078037	VALVE, drain	1				Y129150-49100
45	1531211130	TUBE	2				sold by the meter
46	1531211035	TUBE	1				sold by the meter
47	1533120010	BAND	6				
48	1513350020	ELBOW	2				
	1420010290	O-RING	1				
53	1700100046	SENCOR	1				
56	1531115025	PROTECTOR	1				sold by the meter
57	1652231250	BAND	3				
62	1100040612	BOLT	5				
63	1100040820	BOLT	9				
65	1100040816	BOLT	4				
67	1100041020	BOLT	12				
69	1100041030	BOLT	2				
72	1121530614	BOLT, wing	4				
73	1130040008	NUT	10				
76	1140020006	WASHER, spring	9				
77	1140020008	WASHER, spring	23				
78	1140020010	WASHER, spring	14				
80	1140020004	WASHER, spring	2				
81	1141110008	WASHER	10				
82	1141110010	WASHER	6				
84	0003608252	WASHER	2				
85	1120530406	SCREW	2				
87	1910160020	TUBE	1				Y129959-44600
88	1910160014	HOSE	1				Y129953-49010
97	1651012005	RUBBER, cushion	4				
98	1651020004	RUBBER, cushion	2				
99	1100040616	BOLT	4				
100	0564030100	SPONGE	1				

ENGINE & ACCESSORIES (3/3) (17520209-17520465)

Item	Part number	Description	Q'ty	Chan.	Serial No.	Serv.	Remarks
		ENGINE ASSY					X05640-33000-5
		ENGINE ASSY (with air conditioner)					X05640-33500-5
7	0564028180	BRACKET	1				
17	0564025260	BRACKET	1				
22	0564026360	JOINT	1		17520209~17520331		
	0881402595	JOINT	1		17520332~		
23	1700100046	SENSOR	1				
28	0564026340	PLATE	1				
31	0394015050	URETHANE	1				
38	1910146007	CLEANER, air	1				Y129953-12502
39	1910146020	TANK, sub	1				Y129466-44510
40	0564032150	HOSE	1				
41	0564032160	HOSE	1				
43	1910146013	HOSE	1				Y129953-12210
44	1910116047	BAND	4				Y23000-054000
45	1910145047	BAND	3				Y23000-080000
47	1910078037	VALVE, drain	1				Y129150-49100
50	1531211120	TUBE	1		17520209~17520331		sold by the meter
	1530808120	HOSE	1		17520332~		sold by the meter
51	1531211050	HOSE	1		17520209~17520331		sold by the meter
	1530808050	HOSE	1		17520332~		sold by the meter
52	1533120010	BAND	6		17520209~17520331		
	1533120010	BAND	2		17520332~		
60	1100040816	BOLT	5				
61	1100040820	BOLT	2				
65	1100041030	BOLT	2				
72	1533120012	BAND	4		17520332~		
74	1140020008	WASHER, spring	6				
75	1140020010	WASHER, spring	2				
81	0003600020	WASHER	2				
82	1110040620	SCREW, cap	8				
83	1140420006	WASHER	8				
84	1120530406	SCREW	2				
85	1140020004	WASHER, spring	2				
89	0564028370	PIPE	1				
90	0564030370	PIPE	1				
91	1533700057	CLIP	2				
93	1910160013	PIPE	1				Y129953-12250
94	1420010180	O-RING	2				
96	1652231250	BAND	1				
98	1531115040	PROTECTOR	2				sold by the meter
99	0003608252	WASHER	2				
100	1531115070	PROTECTOR	1				sold by the meter
101	1531211145	HOSE	1				sold by the meter
104	1531115140	PROTECTOR	1				sold by the meter
107	0564030350	PLATE	1				
108	1533207002	U-BOLT	2				
109	1140020006	WASHER, spring	5				
110	1130040006	NUT	4				
111	0564030380	CLAMP	1				
112	0564030385	PLATE	1				
113	1531112003	HOSE	2				sold by the meter
114	1100040630	BOLT	1				
122	1420000100	O-RING	1		17520332~		
123	0564032152	HOSE	1		17520332~		

W2c131

CONTROL BOX: R. H. (17520003-17520208)

Item	Part number	Description	Q'ty	Chan.	Serial No.	Serv.	Remarks
		BOX ASSY, control (R. H.)					X05643-31000-2
1	0564318100	COVER (R. H.)	1				
2	0564318200	COVER	1				
3	0564318300	COVER	1				
4	0564323100	COVER (R. H.)	1				
5	0564320200	CLAMP (R. H.)	1				
8	1730140720	GAUGE, cluster	1				
8-1	1730140796	- BULB	11				
8-2	1711900048	- RELAY	1				
8-3	1730140782	- GLASS	1				
8-4	1730140788	- VISOR	1				
8-5	1730140785	- COVER	1				
9	1700100023	SWITCH, starter	1				
9-1	1700100019	KEY	1				
10	1700000008	SWITCH, slew speed	1				
11	1700000010	SWITCH, lamp	1				
12	1700000009	SWITCH, wiper	1				
13	1700000027	SWITCH, lamp	1				
14	1701204300	BOX, fuse	1				
15	1701204400	BOX, fuse	1		17520003~17520070		
	1701204800	BOX, fuse	1	(H)	17520071~		
16	1910145106	RELAY, safety	1				Y129900-77100
18	1100040614	BOLT	3				
19	1100040620	BOLT	1				
20	1100040625	BOLT	1				
21	1150420816	BOLT, sems	4				
22	1110090816	SCREW, cap	1				
23	1150120416	SCREW	4				
24	1122410314	SCREW	2				
25	1140020006	WASHER, spring	5				
26	1140090008	WASHER, spring	1				
27	0870431821	COVER	1		17520015~		
	W2c041						

Item	Part number	Description	Q'ty	Chan.	Serial No.	Serv.	ENGINE CONTROL (2/3) Remarks
0-1	0564124100	MOTOR ASSY, throttle	1				X05641-24100-4
1	0564124110	- BRACKET	1				
2	0564121290	- LEVER	1				
3	0564116630	- COVER	1				
4	0564116640	- URETHANE	1				
5	0564124120	- SWITCH, limit	1				
6	0564124130	- SWITCH, limit	1				
7	0564124150	- MOTOR	1				
8	1100040512	- BOLT	1				
9	1100040614	- BOLT	4				
10	1100040835	- BOLT	1				
11	1100240600	- BOLT	4				
14	1140020006	- WASHER, spring	11				
15	1130040008	- NUT	2				
16	1652060022	- GROMMET	1				
17	1652052600	- GROMMET	1				
18	0414205150	- DECAL	1				
19	0424207160	- DECAL	1				
20	1340010060	- END, rod	1				
22	1130040006	- NUT	9				
24	0003600110	- WASHER	12				
25	1100040825	- BOLT	1				
26	1653917046	- TRIM	1				sold by the meter
27	0564116650	- BOLT	1				
28	0872433150	- CLAMP	2				
29	1652520006	- NUT	4				
30	1420010480	- O-RING	1				

L3c083

Memo

		ELECTRICAL (2/3) (17520209-17520465)			
Item	Part number	Description	Q'ty	Chan.	Serial No. Serv. Remarks
		ELECTRICAL ASSY (2-piece boom)			X05642-43000-3 with 2nd aux. line
		ELECTRICAL ASSY (2-piece boom)			X05642-43100-3
		ELECTRICAL ASSY (mono-boom)			X05642-43200-3 with 2nd aux. line
		ELECTRICAL ASSY (mono-boom)			X05642-43300-3
3	0564236630	HARNES, wiring	1		
3-1	1730500008	- DIODE (3A yellow)	10		
4	0564236640	HARNES, wiring	1		
4-1	1701330065	- LINK, fusible	1		65A
4-2	1701330045	- LINK, fusible	3		45A
13	1140020008	WASHER, spring	4		
14	1140330008	WASHER	2		
15	1130040008	NUT	1		
17	0007300039	CLAMP	1		
18	1100040816	BOLT	3		
19	1652231250	BAND	12		
24	0097022400	GUARD	1		
28	0564219010	COVER	1		
29	1653917023	TRIM	1		sold by the meter
43	1141110008	WASHER	1		
48	1711900105	CLAMP	2		
52	1711900064	CLIP	1	17520261~	
53	1711900071	CLAMP	1		
54	0564242010	HARNES, wiring	1	17520285~17520334	
54-1	1730500008	- DIODE (3A yellow)	1	17520285~17520334	
55	1652231140	BAND	2	17520285~17520334	

W2c171

ELECTRICAL (1/3) (2-piece boom; 17520519-)

Item	Part number	Description	Q'ty	Chan.	Serial No.	Serv.	Remarks
		ELECTRICAL ASSY					X05642-46000-4 with 2nd aux. line
		ELECTRICAL ASSY					X05642-46100-4
1	0564246010	HARNESS, wiring	1				
1-1	1730500008	- DIODE (3A yellow)	8				
2	0564246020	HARNESS, wiring	1				
5	0564245030	HARNESS, wiring	1				
5-1	1730500008	- DIODE (3A yellow)	3				
6	0564246050	HARNESS, wiring	1				
7	0564246060	HARNESS, wiring	1				
7-1	1730500008	- DIODE (3A yellow)	5				
8	0564232800	HARNESS, wiring	1				
8-1	1730500008	- DIODE (3A yellow)	1				
9	0564227700	RESISTOR	1				
10	1711900067	UNIT, relay	2				
11	0872433900	RELAY	7				
11-1	1711900049	- RELAY	1				
11-2	1654305002	- SPONGE	1				sold by the meter
12	X *****	CONTROLLER ASSY	1				see page (3/3) X05642-46400-0
13	1140020008	WASHER, spring	10				
15	1130040008	NUT	5				
16	1711900110	RELAY, flasher	1				
19	1652231250	BAND	12				
21	1134830625	NUT	1				
22	1653917020	TRIM	2				sold by the meter
23	1100040830	BOLT	1				
25	0564232950	INSULATOR	1				
26	0007300035	CLAMP	1				
27	1730140490	BUZZER	1				
28	1652241400	BAND	4				
30	1120530412	SCREW	2				
31	1100040510	BOLT	2				
32	1100040616	BOLT	6				
33	1140020004	WASHER, spring	2				
34	1141110004	WASHER	2				
35	1140020005	WASHER, spring	2				
36	1140020006	WASHER, spring	9				
37	1110040816	SCREW, cap	4				
38	1130040006	NUT	5				
39	1141110006	WASHER	5				
40	1701204500	BOX, fuse	1				
41	1730140740	CONTROLLER	1				aux. line
	1730140740	CONTROLLER	2				1st & 2nd aux. line
42	1100140810	BOLT	4				1st & 2nd aux. line
43	1141110008	WASHER	8				
44	1100240620	BOLT	2				
45	0564246070	HARNESS, wiring	1				
45-1	1730500008	- DIODE (3A yellow)	2				
46	1652201005	BAND	3				
47	0564233600	COLLAR	4				1st & 2nd aux. line
49	1100040840	BOLT	4				aux. line
51	0564221850	UNIT, relay	1				
55	0567347710	RESISTOR ASSY	1				X05673-47710-2
55-1	0564246090	- PLATE	1				
55-2	0564226840	- RESISTOR	2				
55-3	1120530305	- SCREW	2				
55-4	1140020003	- WASHER, spring	2				

Item	Part number	Description	Q'ty	Chan.	Serial No.	BATTERY (17520209-) Serv. Remarks
		BATTERY ASSY				X05644-22500-7
1	0564422100	CLAMP	1			
2	0564422510	COVER	1			
5	0564420630	BOX	1			
6	0564420650	SHEET	1			
7	1652052400	GROMMET	1		17520246~	
8	1702059531	BATTERY	2		17520209~17520296	
	1702069531	BATTERY	2	(H)	17520297~	
10	1702607190	CABLE, battery	1			
11	1702630030	CABLE, battery	1			
12	1702230065	CABLE, earth	1			
13	1702330000	TERMINAL	1			
14	1702920060	COVER	1			
16	1910007119	COVER	1			Y124550-77030
17	1711900064	CLIP	4			
18	1702108210	BOLT	2			
19	1711900072	CLAMP	2			
20	1703221382	PROTECTOR	1			sold by the meter
21	1703211320	PROTECTOR	1			sold by the meter
22	1711900071	CLAMP	2			
23	1652231140	BAND	2			
24	0872433150	TUBE	6			
25	1653917037	TRIM	1			M sold by the meter
26	1100040816	BOLT	12			
28	1100041016	BOLT	1			
29	1130040008	NUT	7			
30	1130040010	NUT	6			
31	1140020006	WASHER, spring	6			
32	1140020008	WASHER, spring	13			
33	1140020010	WASHER, spring	7			
34	1141110006	WASHER	6			
35	1141110008	WASHER	16			
36	1141110010	WASHER	4			
37	1140330010	WASHER	1			
39	1531325190	PROTECTOR	1			sold by the meter
40	1700100038	COVER	4			
41	1130040006	NUT	6			
43	1702910016	COVER	1			
45	1120530620	SCREW	2			
46	1700100051	SWITCH, battery	1			
49	1702531080	CABLE, earth	1			
50	0564420640	SPONGE	1			
51	0564425000	RELAY ASSY	1			X05644-25000-0
51-1	0564420610	- PLATE	1			
51-2	1910151125	- RELAY, magnetic	1			Y119129-77910
51-3	1910145112	- RELAY	1			Y127488-77530
51-4	0872433150	- TUBE	2			
51-5	1140020006	- WASHER, spring	7			
51-6	1141110006	- WASHER	7			
51-7	1130040006	- NUT	7			
51-8	1910183118	- RELAY, glow	1			Y129612-77910
51-9	1910183119	- TIMER	1			Y129612-77920

W2c193

Item	Part number	Description	Q'ty	Chan.	Serial No.	Serv.	GREASE PIPING Remarks
		PIPING ASSY, grease					X05624-01000-4
1	0007262005	ELBOW	1				
2	1532520601	CONNECTOR	1				
3	1532620601	ELBOW	3				
4	1532120640	TUBE	1				sold by the meter
5	1560001675	FITTING, grease	2				
6	1532120630	TUBE	1				sold by the meter
	L3d010						

VALVE & ACCESSORIES (with the 2nd auxiliary lines; 17520003-17520465)

Item	Part number	Description	Q'ty	Chan.	Serial No.	Serv.	Remarks
1	X *****	VALVE ASSY, control	1				X05650-33800-2
1-1	1515100110	· ELBOW	1				
	1420010110	· · O-RING	1				
1-2	1901738500	· VALVE, proportional control	1				
1-3	0565033815	· PLATE	1				
1-4	1100040820	· BOLT	2				
1-5	1140020008	· WASHER, spring	2				
1-6	1141110008	· WASHER	2				
1-7	1515012040	· ELBOW	2				
	1420010110	· · O-RING	1				
1-8	1512370012	· ELBOW (with filter)	1				
	1420010110	· · O-RING	1				
2	X *****	VALVE ASSY, control	1				
2-1	0007224006	· ADAPTOR	1				
2-2	1420010180	· O-RING	1				
2-3	1515012040	· ELBOW	3				
	1420010110	· · O-RING	1				
2-4	1515010041	· ELBOW	1				
	1420010140	· · O-RING	1				
2-5	1515010511	· ELBOW	1				
	1420010140	· · O-RING	1				
2-6	1515600200	· ADAPTOR	5				
	1420010110	· · O-RING	1				
2-8	1515600572	· ADAPTOR	4				
	1420010140	· · O-RING	1				
2-9	1515600573	· ADAPTOR	2				
	1420010180	· · O-RING	1				
2-10	1901039000	· VALVE, control	1				
3	1100040816	BOLT	2				
4	1100041025	BOLT	3				
5	1512370011	TEE	1				
	1420010110	· O-RING	1				
6	1512373007	TEE	1				
	1420010110	· O-RING	1				
7	1140020008	WASHER, spring	2				
8	1140020010	WASHER, spring	3				
9	1141110008	WASHER	2				
10	1141110010	WASHER	3				
11	0565033820	HOSE ASSY	1				
12	0565033830	HOSE ASSY	1				
13	0565033840	HOSE ASSY	1				
14	0565033850	HOSE ASSY	1				

W2d071

VALVE & ACCESSORIES (1/4) (with the 2nd auxiliary lines: 17520466-)

Item	Part number	Description	Q'ty	Chan.	Serial No.	Serv.	Remarks
1	X *****	VALVE ASSY, control (mono-boom)	1				X05650-53100-2
1-1	0007203033	· ADAPTOR	1				X05650-53110-1
1-3	0007203074	· ADAPTOR	2				
	1420010180	· · O-RING	1				
1-4	0565032140	· MANIFOLD	1				
1-5	1100041090	· BOLT	4				
1-6	1140020010	· WASHER, spring	4				
1-7	1420010180	· O-RING	3				
1-8	1420100450	· O-RING	1				
1-9	1513390027	· TEE	1				
	1420010110	· · O-RING	1				
1-11	1501750002	· PLUG	1				
	1420010110	· · O-RING	1				
1-12	1515012040	· ELBOW	10				
	1420010110	· · O-RING	1				
1-13	1515600203	· ADAPTOR	1				
	1420010240	· · O-RING	1				
1-14	1515010043	· ELBOW	1				
	1420010240	· · O-RING	1				
1-15	0565029150	· ELBOW (with orifice)	1				
1-16	1515010132	· ELBOW	1				
	1420010180	· · O-RING	1				
1-17	1515600200	· ADAPTOR	8				
	1420010110	· · O-RING	1				
1-18	1515600202	· ADAPTOR	8				
	1420010180	· · O-RING	1				
1-19	1515600573	· ADAPTOR	1				
	1420010180	· · O-RING	1				
1-20	1901041000	· VALVE, control	1				
1-21	1901735400	· ADAPTOR	1				
1-22	0565032150	· PLUG	1				
1-23	1420010080	· O-RING	1				
1-24	1512370011	· TEE	2				
	1420010110	· · O-RING	1				
1-25	1512373005	· TEE	1				
	1420010180	· · O-RING	1				
1-26	1515010052	· ELBOW	1				
	1420010240	· · O-RING	1				
1-27	1540141230	· VALVE, check	1				
1-28	0565033110	· HOSE ASSY	1				
1-29	1512370011	· TEE	1				
	1420010110	· · O-RING	1				
7	0565032700	BRACKET	1				
12	X *****	VALVE SUB ASSY, control	1				X05650-51120-0
12-1	0007224006	· ADAPTOR	1				
12-2	1420010180	· O-RING	1				
12-3	1515012040	· ELBOW	3				
	1420010110	· · O-RING	1				
12-4	1515010041	· ELBOW	1				
	1420010140	· · O-RING	1				
12-5	1515010511	· ELBOW	1				
	1420010140	· · O-RING	1				
12-6	1515600200	· ADAPTOR	5				
	1420010110	· · O-RING	1				
12-8	1515600572	· ADAPTOR	4				

VALVE & ACCESSORIES (1/4) (with the 2nd & 4th auxiliary lines: 17520466-)

Item	Part number	Description	Q'ty	Chan.	Serial No.	Serv.	Remarks
1	X *****	VALVE ASSY, control (mono-boom)	1				X05650-53200-2
1-1	0007203033	· ADAPTOR	1				X05650-53110-1
1-3	0007203074	· ADAPTOR	2				
	1420010180	· · O-RING	1				
1-4	0565032140	· MANIFOLD	1				
1-5	1100041090	· BOLT	4				
1-6	1140020010	· WASHER, spring	4				
1-7	1420010180	· O-RING	3				
1-8	1420100450	· O-RING	1				
1-9	1513390027	· TEE	1				
	1420010110	· · O-RING	1				
1-11	1501750002	· PLUG	1				
	1420010110	· · O-RING	1				
1-12	1515012040	· ELBOW	10				
	1420010110	· · O-RING	1				
1-13	1515600203	· ADAPTOR	1				
	1420010240	· · O-RING	1				
1-14	1515010043	· ELBOW	1				
	1420010240	· · O-RING	1				
1-15	0565029150	· ELBOW (with orifice)	1				
1-16	1515010132	· ELBOW	1				
	1420010180	· · O-RING	1				
1-17	1515600200	· ADAPTOR	8				
	1420010110	· · O-RING	1				
1-18	1515600202	· ADAPTOR	8				
	1420010180	· · O-RING	1				
1-19	1515600573	· ADAPTOR	1				
	1420010180	· · O-RING	1				
1-20	1901041000	· VALVE, control	1				
1-21	1901735400	· ADAPTOR	1				
1-22	0565032150	· PLUG	1				
1-23	1420010080	· O-RING	1				
1-24	1512370011	· TEE	2				
	1420010110	· · O-RING	1				
1-25	1512373005	· TEE	1				
	1420010180	· · O-RING	1				
1-26	1515010052	· ELBOW	1				
	1420010240	· · O-RING	1				
1-27	1540141230	· VALVE, check	1				
1-28	0565033110	· HOSE ASSY	1				
1-29	1512370011	· TEE	1				
	1420010110	· · O-RING	1				
7	0565032700	BRACKET	1				
12	X *****	VALVE SUB ASSY, control	1				X05650-51210-0
12-1	0007224006	· ADAPTOR	1				
12-2	1420010180	· O-RING	1				
12-3	1515012040	· ELBOW	3				
	1420010110	· · O-RING	1				
12-4	1515010041	· ELBOW	1				
	1420010140	· · O-RING	1				
12-5	1515010511	· ELBOW	1				
	1420010140	· · O-RING	1				
12-6	1515600200	· ADAPTOR	5				
	1420010110	· · O-RING	1				
12-8	1515600572	· ADAPTOR	2				

VALVE & ACCESSORIES (1/3) (2-piece boom: 17520003-17520465)

Item	Part number	Description	Q'ty	Chan.	Serial No.	Serv.	Remarks
		VALVE ASSY, control (2-piece boom)					X05650-39000-1
1	X *****	VALVE ASSY	1				X05650-33100
1-1	0007203033	· ADAPTOR	2				
1-3	0007203074	· ADAPTOR	2				
	1420010180	· · O-RING	1				
1-4	0565032140	· MANIFOLD	1				
1-5	1100041090	· BOLT	4				
1-6	1140020010	· WASHER, spring	4				
1-7	1420010180	· O-RING	4				
1-8	1420100450	· O-RING	1				
1-9	1513390027	· TEE	1				
	1420010110	· · O-RING	1				
1-11	1501750002	· PLUG	1				
	1420010110	· · O-RING	1				
1-12	1515012040	· ELBOW	1				
	1420010110	· · O-RING	1				
1-13	1515600203	· ADAPTOR	1				
	1420010240	· · O-RING	1				
1-14	1515010043	· ELBOW	1				
	1420010240	· · O-RING	1				
1-15	0565029150	· ELBOW (with orifice)	1				
1-16	1515010132	· ELBOW	1				
	1420010180	· · O-RING	1				
1-17	1515600200	· ADAPTOR	8				
	1420010110	· · O-RING	1				
1-18	1515600202	· ADAPTOR	8				
	1420010180	· · O-RING	1				
1-19	1515600573	· ADAPTOR	1				
	1420010180	· · O-RING	1				
1-20	1901041000	· VALVE, control	1				
1-22	0565032150	· PLUG	1				
1-23	1420010080	· O-RING	1				
1-24	1512370011	· TEE	2				
	1420010110	· · O-RING	1				
1-25	1512373005	· TEE	1				
	1420010180	· · O-RING	1				
1-26	1512374011	· TEE	1				
	1420010240	· · O-RING	1				
1-27	1540141230	· VALVE, check	1				
1-28	0565033110	· HOSE ASSY	1				
5	X *****	VALVE ASSY, overload	1				X05650-32500
5-1	0565032510	· PLATE	1				
5-2	1100041460	· BOLT	2				
5-3	1140020014	· WASHER, spring	2				
5-4	1141110014	· WASHER	2				
5-5	1515600202	· ADAPTOR	3				
	1420010180	· · O-RING	1				
5-6	1901737500	· VALVE, overload	1				
7	0565032700	BRACKET	1				
12	X *****	VALVE SUB ASSY, control	1				X05650-29200
12-1	0007224006	· NIPPLE	1				
12-2	1420010180	· O-RING	1				
12-3	1515010040	· ELBOW	2				
	1420010110	· · O-RING	1				
12-4	1515010041	· ELBOW	1				
	1420010140	· · O-RING	1				

Item	Part number	Description	VALVE & ACCESSORIES (1/3) (2-piece boom: 17520466-)			Remarks
			Q'ty	Chan.	Serial No. Serv.	
1	X *****	VALVE ASSY, control (2-piece boom)	1			X05650-53500-2
1-1	0007203033	· ADAPTOR	2			X05650-33100-1
1-3	0007203074	· ADAPTOR	2			
	1420010180	· · O-RING	1			
1-4	0565032140	· MANIFOLD	1			
1-5	1100041090	· BOLT	4			
1-6	1140020010	· WASHER, spring	4			
1-7	1420010180	· O-RING	4			
1-8	1420100450	· O-RING	1			
1-9	1513390027	· TEE	1			
	1420010110	· · O-RING	1			
1-11	1501750002	· PLUG	1			
	1420010110	· · O-RING	1			
1-12	1515012040	· ELBOW	11			
	1420010110	· · O-RING	1			
1-13	1515600203	· ADAPTOR	1			
	1420010240	· · O-RING	1			
1-14	1515010043	· ELBOW	1			
	1420010240	· · O-RING	1			
1-15	0565029150	· ELBOW (with orifice)	1			
1-16	1515010132	· ELBOW	1			
	1420010180	· · O-RING	1			
1-17	1515600200	· ADAPTOR	8			
	1420010110	· · O-RING	1			
1-18	1515600202	· ADAPTOR	8			
	1420010180	· · O-RING	1			
1-19	1515600573	· ADAPTOR	1			
	1420010180	· · O-RING	1			
1-20	1901041000	· VALVE, control	1			
1-22	0565032150	· PLUG	1			
1-23	1420010080	· O-RING	1			
1-24	1512370011	· TEE	2			
	1420010110	· · O-RING	1			
1-25	1512373005	· TEE	1			
	1420010180	· · O-RING	1			
1-26	1512374011	· TEE	1			
	1420010240	· · O-RING	1			
1-27	1540141230	· VALVE, check	1			
1-28	0565033110	· HOSE ASSY	1			
5	X *****	VALVE ASSY, overload	1			X05650-32500
5-1	0565032510	· PLATE	1			
5-2	1100041460	· BOLT	2			
5-3	1140020014	· WASHER, spring	2			
5-4	1141110014	· WASHER	2			
5-5	1515600202	· ADAPTOR	3			
	1420010180	· · O-RING	1			
5-6	1901737500	· VALVE, overload	1			
7	0565032700	BRACKET	1			
12	X *****	VALVE SUB ASSY, control	1			X05650-51010-0
12-1	0007224006	· ADAPTOR	1			
12-2	1420010180	· O-RING	1			
12-3	1501750002	· PLUG	2			
	1420010110	· · O-RING	1			
12-4	1501750003	· PLUG	2			
	1420010140	· · O-RING	1			

VALVE & ACCESSORIES (1/4) (2-piece boom, with the 2nd auxiliary lines: 17520466-)

Item	Part number	Description	Q'ty	Chan.	Serial No.	Serv.	Remarks
1	X *****	VALVE ASSY, control (2-piece boom)	1				X05650-53600-2 X05650-53610-1
1-1	0007203033	· ADAPTOR	2				
1-3	0007203074	· ADAPTOR	2				
	1420010180	· · O-RING	1				
1-4	0565032140	· MANIFOLD	1				
1-5	1100041090	· BOLT	4				
1-6	1140020010	· WASHER, spring	4				
1-7	1420010180	· O-RING	4				
1-8	1420100450	· O-RING	1				
1-9	1513390027	· TEE	1				
	1420010110	· · O-RING	1				
1-11	1501750002	· PLUG	1				
	1420010110	· · O-RING	1				
1-12	1515012040	· ELBOW	10				
	1420010110	· · O-RING	1				
1-13	1515600203	· ADAPTOR	1				
	1420010240	· · O-RING	1				
1-14	1515010043	· ELBOW	1				
	1420010240	· · O-RING	1				
1-15	0565029150	· ELBOW (with orifice)	1				
1-16	1515010132	· ELBOW	1				
	1420010180	· · O-RING	1				
1-17	1515600200	· ADAPTOR	8				
	1420010110	· · O-RING	1				
1-18	1515600202	· ADAPTOR	8				
	1420010180	· · O-RING	1				
1-19	1515600573	· ADAPTOR	1				
	1420010180	· · O-RING	1				
1-20	1901041000	· VALVE, control	1				
1-22	0565032150	· PLUG	1				
1-23	1420010080	· O-RING	1				
1-24	1512370011	· TEE	2				
	1420010110	· · O-RING	1				
1-25	1512373005	· TEE	1				
	1420010180	· · O-RING	1				
1-26	1512374011	· TEE	1				
	1420010240	· · O-RING	1				
1-27	1540141230	· VALVE, check	1				
1-28	0565033110	· HOSE ASSY	1				
1-29	1512370011	· TEE	1				
	1420010110	· · O-RING	1				
5	X *****	VALVE ASSY, overload	1				X05650-32500
5-1	0565032510	· PLATE	1				
5-2	1100041460	· BOLT	2				
5-3	1140020014	· WASHER, spring	2				
5-4	1141110014	· WASHER	2				
5-5	1515600202	· ADAPTOR	3				
	1420010180	· · O-RING	1				
5-6	1901737500	· VALVE, overload	1				
7	0565032700	BRACKET	1				
12	X *****	VALVE SUB ASSY, control	1				X05650-51120-0
12-1	0007224006	· ADAPTOR	1				
12-2	1420010180	· O-RING	1				
12-3	1515012040	· ELBOW	3				
	1420010110	· · O-RING	1				

VALVE & ACCESSORIES (4/4) (2-piece boom, with the 2nd auxiliary lines: 17520466-)						
Item	Part number	Description	Q'ty	Chan.	Serial No.	Serv. Remarks
		VALVE ASSY, control (mono-boom)				X05650-53600-2
20	1100040816	BOLT	2			
32	1140020008	WASHER, spring	2			
36	1141110008	WASHER	2			
55	X *****	VALVE ASSY, solenoid	1			X05650-33810
55-1	1515100110	· ELBOW	1			
	1420010110	· · O-RING	1			
55-2	1901738500	· VALVE, proportional control	1			
55-3	0565033815	· PLATE	1			
55-4	1100040820	· BOLT	2			
55-5	1140020008	· WASHER, spring	2			
55-6	1141110008	· WASHER	2			
55-7	1515012040	· ELBOW	2			
	1420010110	· · O-RING	1			
38-8	1512370012	· ELBOW (with filter)	1			
	1420010110	· · O-RING	1			
56	0565051060	HOSE ASSY	1			
57	0565033830	HOSE ASSY	1			
58	0565033840	HOSE ASSY	1			
59	0565033850	HOSE ASSY	1			
60	1513390043	TEE	1			
	W2d522					

Item	Part number	Description	Q'ty	Chan.	Serial No.	Serv.	Remarks
		VALVE & ACCESSORIES (3/4) (2-piece boom, with the 2nd & 4th auxiliary lines: 17520466-)					
		VALVE ASSY, control (2-piece boom)					X05650-53700-2
8	0565032710	BUSHING	2				
9	0007200222	ADAPTOR	1				
10	X *****	FILTER ASSY	1				X05650-33730
10-1	1551200600	- FILTER, line	1				
10-1-1	1551200601	- . . ELEMENT	1				
10-1-2	1551200602	- . . COVER, head	1				
10-1-3	1551200603	- . . CASE	1				
10-1-4	1551200604	- . . O-RING	1				
10-2	1512350003	- ELBOW	1				
	1420010180	- . . O-RING	1				
10-3	1512374014	- TEE	1				
	1420010180	- . . O-RING	1				
10-4	1501750002	- PLUG	1				
	1420010110	- . . O-RING	1				
13	X *****	VALVE ASSY, solenoid	1				X05650-33130
13-1	1512370008	- ADAPTOR (with filter)	1				
	1420010110	- . . O-RING	1				
13-2	1515012040	- ELBOW	3				
	1420010110	- . . O-RING	1				
13-3	1901738500	- VALVE, proportional control	1				
17	1552200020	ACCUMULATOR	1				
18	1515600211	ADAPTOR	4				
	1420310908	- O-RING	1				
19	1100040814	BOLT	4				
21	1100040820	BOLT	2				
28	1100141000	BOLT	2				
32	1140020008	WASHER, spring	6				
33	1140020010	WASHER, spring	2				
35	1140020020	WASHER	1				
36	1141110008	WASHER	2				
37	1141110010	WASHER	2				
39	1141110016	WASHER	1				
40	1512370011	TEE	1				
	1420010110	- O-RING	1				
41	1512370022	ADAPTOR	2				
42	1513390027	TEE	3				
	1420010110	- O-RING	1				
43	1432160004	SEAL	1				
44	1541400722	WASHER	2				
47	1100040660	BOLT	2				
48	1140020006	WASHER, spring	2				
49	1515600200	ADAPTOR	1				
	1420010110	- O-RING	1				
50	1901721800	VALVE, shuttle	1				
51	0007200154	NUT	1				
52	0565033170	BUSHING	1				
53	1501750002	PLUG	1				
	1420010110	- O-RING	1				
	W2d552						

Item	Part number	Description	Q' ty	Chan.	Serial No.	ARM EMERGENCY SHUT-OFF VALVE (2-piece boom) Serv.	Remarks
0	0565043000	VALVE ASSY, emergency shut-off	1				X05650-43000-2
1	1901743300	- VALVE, shut off	1				
2	0565043010	- PIPE	1				
3	0565043020	- CLAMP	1				
4	0565043030	- CLAMP	1				
5	0565043040	- HOSE ASSY	1				18010-52330
6	0565043050	- HOSE ASSY	1				18010-52330
7	0565043060	- HOSE ASSY	1				18010-22193
8	0565043070	- HOSE ASSY	1				18010-22183
10	0007236041	- ADAPTOR	1				
	1420010180	- O-RING	1				
11	0336021340	- CLAMP	2		17520003~17520272		
	1534000012	- CLAMP	2	(H)	17520273~		
12	0395013120	- PIPE	2				
14	1100040645	- BOLT	2				
15	1100040870	- BOLT	2		17520003~17520272		
	1100040865	- BOLT	2		17520273~		
16	1100041035	- BOLT	2				
17	1140020006	- WASHER, spring	2				
18	1140020008	- WASHER, spring	2				
19	1140020010	- WASHER, spring	2				
20	1141110006	- WASHER	2				
21	1141110010	- WASHER	2				
23	1513390015	- TEE	2				
24	1515012040	- ELBOW	1				
	1420010110	- O-RING	1				
25	1515600200	- ADAPTOR	1				
	1420010110	- O-RING	1				
26	1515600202	- ADAPTOR	1				
	1420010180	- O-RING	1				
27	1652201005	- BAND	2				
28	1652201008	- BAND	8				

W2d212

Item	Part number	Description	Q'ty	Chan.	Serial No.	Serv.	Remarks
		PIPING ASSY, upper					X05670-34000-4
		PIPING ASSY, upper (with air conditioner)					X05670-34500-4
39	1530532041	HOSE	1		17520273~		
49	0567031100	PIPE	2		17520209~17520272		
50	0567031110	PIPE	1				
51	0567025510	HOSE	1				sold by the meter
52	1530512026	HOSE	1				sold by the meter
53	1530558023	HOSE	1				sold by the meter
54	1530525029	HOSE	1				sold by the meter
55	1530532035	HOSE	1				sold by the meter
56	1530525040	HOSE	1				sold by the meter
57	1530532037	HOSE	1		17520209~17520272		sold by the meter
58	1530532119	HOSE	1		17520209~17520272		sold by the meter
	1530532115	HOSE	1		17520273~		sold by the meter
59	1530738050	HOSE	1				sold by the meter
61	1530532022	HOSE	1		17520209~17520272		sold by the meter
	1530532030	HOSE	1		17520273~		sold by the meter
62	1530532018	HOSE	1		17520209~17520272		sold by the meter
63	0567024690	PLATE ASSY	1				
63-1	0567024700	- PLATE	1				
63-2	0567024692	- SHEET	1				
63-3	1100040616	- BOLT	6				
63-4	1140020006	- WASHER, spring	6				
63-5	0567024695	- PLATE	2				
64	1141110010	WASHER	3				
65	1100041020	BOLT	4				
67	1140020010	WASHER, spring	4				
68	1140020008	WASHER, spring	2		17520273~		
69	1141110008	WASHER	2		17520273~		
70	0003600020	WASHER	1				
71	0567031130	PIPE	1		17520273~		
72	1100040825	BOLT	1		17520273~		
74	1533700025	BAND	4				
75	1533700041	BAND	8				
76	1533700054	BAND	4				
77	1533700048	BAND	16				
78	1533700070	BAND	4				
79	1533700080	BAND	4				

W2d231

		PIPING; UPPER (2/4) (17520466-)				
Item	Part number	Description	Q'ty	Chan.	Serial No.	Remarks
		PIPING ASSY, upper				X05670-38400-3
		PIPING ASSY, upper (with air conditioner)				X05670-38500-3
4	0565048620	HOSE ASSY	1			18010-53200
5	0567025050	HOSE ASSY	1			18010-22165
22	0567026220	HOSE ASSY	1			18010-54082
23	0567026230	HOSE ASSY	1			18010-24082
25	0567037060	HOSE ASSY	1			18010-52140
27	0567024390	HOSE ASSY	1			18010-22068
30	0567026300	HOSE ASSY	1			18010-24056
32	0567024320	HOSE ASSY (without air con.)	1			18010-22090
34	0567024340	HOSE ASSY	1			18010-24056
37	0567024370	HOSE ASSY	1			18010-24068
40	0567037050	HOSE ASSY	1			18010-23055
42	0567024420	HOSE ASSY	1			18010-06050
43	0567024430	HOSE ASSY	1			18010-22080
44	0567024440	HOSE ASSY	1			18010-53078
73	1532215053	ROTECTOR	1			sold by the meter
	W2d582					

PIPING; UPPER (3/4) (2-piece boom: 17520003-17520208)					
Item	Part number	Description	Q'ty	Chan.	Serial No. Serv. Remarks
		PIPING ASSY, upper (2-piece boom)			X05670-26000-4
1	0567026010	HOSE ASSY	1		4-G3/4X840
2	0567026020	HOSE ASSY	1		4-G3/4X860
3	0567025030	HOSE ASSY	1		18025-60140
6	0567026060	HOSE ASSY	1		2-G1/2X520
7	0567026070	HOSE ASSY	1		2-G1/2X430
18	0567026180	HOSE ASSY	1		2-G1/2X620
19	0567026190	HOSE ASSY	1		2-G1/2X730
20	0567026200	HOSE ASSY	1		18025-40060
21	0567026210	HOSE ASSY	1		18025-40054
28	0567026280	HOSE ASSY	1		18025-21070
29	0567026290	HOSE ASSY	1		18025-21086
60	0567026600	HOSE ASSY	1		18015-21065
	W2d141				

CLICK HERE TO **DOWNLOAD** THE COMPLETE MANUAL

- Thank you very much for reading the preview of the manual.
- You can download the complete manual from: www.heydownloads.com by clicking the link below



- Please note: If there is no response to CLICKING the link, please download this PDF first and then click on it.

CLICK HERE TO **DOWNLOAD** THE COMPLETE MANUAL

Item	Part number	Description	Q'ty	Chan.	Serial No.	Serv.	Remarks
		PIPING; UPPER (4/5) (2-piece boom; 17520209-17520465)					
		PIPING ASSY, upper					X05670-33000-4
		PIPING ASSY, upper (with air conditioner)					X05670-33500-4
8	0567026080	HOSE ASSY	1				18025-41300
9	0567026090	HOSE ASSY	1				18025-41305
10	0567026100	HOSE ASSY	1				2X1600
11	0567026110	HOSE ASSY	1				18025-41086
12	0567026120	HOSE ASSY	1				18025-41325
13	0567026130	HOSE ASSY	1				18025-41330
14	0567024140	HOSE ASSY	1				
15	0567026150	HOSE ASSY	1				4-G3/4X3200
16	0567026160	HOSE ASSY	1				2-G1/2X2850
17	0567026170	HOSE ASSY	1				2-G1/2X2950
26	0567026260	HOSE ASSY	1				4-G3/4X2550
35	0567026350	HOSE ASSY	1				2X2270
36	0567026360	HOSE ASSY	1				2X2270
38	0567026380	HOSE ASSY	1				18025-41092
45	0567026450	HOSE ASSY	1				2X500
46	0567026460	HOSE ASSY	1				2X500
48	0567026480	HOSE ASSY	1				2X1800
88	1531325020	ROTECTOR	1				sold by the meter
89	1652201005	BAND	2				
	W2d301						

Item	Part number	Description	PIPING; UPPER (4/5) (2-piece boom: 17520466-)			Remarks
			Q'ty	Chan.	Serial No. Serv.	
		PIPING ASSY, upper				X05670-38600-3
		PIPING ASSY, upper (with air conditioner)				X05670-38700-3
8	0567026080	HOSE ASSY	1			18025-41300
9	0567026090	HOSE ASSY	1			18025-41305
10	0567026100	HOSE ASSY	1			2X1600
11	0567026110	HOSE ASSY	1			18025-41086
12	0567026120	HOSE ASSY	1			18025-41325
13	0567026130	HOSE ASSY	1			18025-41330
14	0567024140	HOSE ASSY	1			
15	0567026150	HOSE ASSY	1			4-G3/4X3200
16	0567026160	HOSE ASSY	1			2-G1/2X2850
17	0567026170	HOSE ASSY	1			2-G1/2X2950
26	0567026260	HOSE ASSY	1			4-G3/4X2550
35	0567026350	HOSE ASSY	1			2X2270
36	0567026360	HOSE ASSY	1			2X2270
38	0567026380	HOSE ASSY	1			18025-41092
45	0567026450	HOSE ASSY	1			2X500
46	0567026460	HOSE ASSY	1			2X500
48	0567026480	HOSE ASSY	1			2X1800
88	1531325020	ROTECTOR	1		17520466~17520632	sold by the meter
89	1652201005	BAND	2		17520466~17520632	
	W2d642					

HYDRAULIC TANK (17520209-)

Item	Part number	Description	Q'ty	Chan.	Serial No.	Serv.	Remarks
		TANK ASSY, hydraulic (mono-boom)					X05680-34000-3
		TANK ASSY, hydraulic (2-piece boom)					X05680-34500-3
1	0568034100	TANK, hydraulic	1				
3	1552000900	BREATHER, air	1				
3-1	1552000902	- ELEMENT	1				
3-8	1552000908	- PACKING	1				
4	0568026500	COVER	1				
5	0568014500	COVER	1				
6	0007000031	SPRING	1				
7	1551102600	FILTER	1				
8	1551100300	VALVE ASSY	1				
9	1550216490	FILTER	1				
10	1420101250	O-RING	1				
11	1420101600	O-RING	1				
12	1100041016	BOLT	12				
13	1140020010	WASHER, spring	18				
15	1553020685	GAUGE	1				
16	1100041025	BOLT	6				
17	1141550010	WASHER	4				
18	1141110010	WASHER	12				
21	0003600025	WASHER	2				
22	1100040614	BOLT	4				
23	1140020006	WASHER, spring	4				
25	0007256006	PLUG	1				
26	1420010290	O-RING	2				
28	1515600202	ADAPTOR	1				
	1420010180	- O-RING	1				
29	1540141220	VALVE, check	1				
30	1221010050	RING, retaining	1				
31	1515012040	ELBOW	1				
	1420010110	- O-RING	1				
33	1515600200	ADAPTOR	3				
	1420010110	- O-RING	1				
	1515600200	ADAPTOR	4				2-piece boom
	1420010110	- O-RING	1				
34	1515600201	ADAPTOR	2				
	1420010140	- O-RING	1				
36	1512370007	TEE	1				
	1420010140	- O-RING	1				
37	1515600576	ADAPTOR	2				
	1420010140	- O-RING	1				
38	1554502250	PLUG	1				
39	1541400722	WASHER	1				
40	0568021200	BUSHING	1				
41	1515600572	ADAPTOR	1				
	1420010140	- O-RING	1				
42	1501750002	PLUG	1				mono-boom
	1420010110	- O-RING	1				
43	1515600571	ADAPTOR	1				
	1420010110	- O-RING	1				
44	0323054001	SHIM	AR			M	t=1. 0mm
45	0323054002	SHIM	AR			M	t=2. 3mm
46	0323054003	SHIM	AR			M	t=3. 2mm
	W2d322						

COVER (1/7) (17520003-17520208)

Item	Part number	Description	Q'ty	Chan.	Serial No.	Serv.	Remarks
		COVER ASSY					X05682-47000-3
1	0568247100	HOOD ASSY, front engine	1				see page (3/7)
2	0568247200	HOOD ASSY, engine	1				see page (4/7)
3	0568243300	COVER ASSY, side (R. H.)	1				see page (5/7)
4	0568243350	COVER ASSY, side (L. H.)	1				see page (6/7)
14	0568242014	STAY	1				
15	0568247360	STAY (R. H.)	1				
18	0568242850	HOOK	2				
20	0568245820	BRACKET	1				
22	0568225380	WIRE	1				
24	0568245800	PLATE	1				
24-3	1333001008	BUSHING	1				
25	0568245025	LINK	2				
26	0568243498	YOKE	2				
28	0004008021	PIN	4		17520003~17520040		
	0004300003	PIN	4	(L)	17520041~17520070		
	0004300013	PIN	4	(H)	17520071~		
29	1214000008	PIN, snap	2		17520003~17520040		
	1224010008	RING, retaining	2		17520041~		
30	1214000006	PIN, snap	4		17520003~17520040		
	1224010006	RING, retaining	4		17520041~		
31	0007000105	SPRING	1				
32	0568243840	BOLT	1				
34	1100041016	BOLT	5				
35	1100041025	BOLT	4				
38	1140020010	WASHER, spring	27				
39	1141110010	WASHER	3				
40	0003600025	WASHER	22				
41	1100040816	BOLT	5				
42	1140020008	WASHER, spring	6				
43	1141110008	WASHER	4				
44	1130040010	NUT	4				
47	1100041030	BOLT	14				
48	1130040008	NUT	4				
49	0568243450	HINGE	2				
53	0568242840	BRACKET	1				
54	0568223100	ROD	1				
55	0568223200	BOSS	1				
56	0007000078	SPRING	1				
57	0871320240	COLLAR	1				
58	1100040820	BOLT	1				
59	1130240012	NUT	2				
61	0568245830	COVER	1				
62	1654613025	PACKING	1				sold by the meter
63	0007300052	CLAMP	1				
65	1653900046	SPRING, gas	2				
66	0138255300	BOLT	4				
68	0007300060	CLAMP	1				
	W2e011						

COVER (2/7) (with air conditioner; 17520209-)					
Item	Part number	Description	Q'ty	Chan.	Serial No. Serv. Remarks
5	0568243500	COVER ASSY (with air conditioner)	1		X05682-60000-4
7	0568254150	COVER ASSY, front	1		see page (7/7)
7-1	0568254160	COVER	1		
7-2	0568254170	COVER	1		
7-3	0568222800	SHEET	1		
7-4	0568254180	SHEET	2		
7-5	1100560612	BOLT	2		
8	0568247300	COVER	1		
9	X *****	COVER ASSY, under	1		X05682-47350-1
9-1	0568245720	COVER	1		
9-2	1654520050	RUBBER	1		sold by the meter
9-3	1654520051	RUBBER	1		sold by the meter
9-4	1654619079	SEAL	3		sold by the meter
9-5	1654619062	SEAL	1		sold by the meter
10	0564625590	COVER ASSY	1		X05646-25590-0
10-1	0564625470	COVER	1		
10-2	0564625475	ABSORBENT, noise	1		
10-3	0564625476	SEAL	2		
10-4	0564625477	SEAL	2		
11	0568251030	HANDRAIL	1		
12	0568124100	BOX, tool	1		
13	0568245680	PLATE	1		
16	0568228820	COVER	1		
17	0568245710	PLATE	1		
19	0568242780	SEAL	2		
21	0568247310	COVER	1		
33	1100041020	BOLT	7		
35	1100041025	BOLT	35		
36	1100561020	BOLT, sems	9		
37	1100041035	BOLT	2		
38	1140020010	WASHER, spring	73		
39	1141110010	WASHER	49		
40	0003600025	WASHER	2		
41	1100040816	BOLT	3		
42	1140020008	WASHER, spring	3		
43	1141110008	WASHER	3		
45	0568222700	SHEET	1		
47	1100041030	BOLT	18		
50	0568251020	COVER	1		
51	1101041425	BOLT	4		
52	1140020014	WASHER, spring	4		
60	1141110014	WASHER	4		
67	0568228730	COVER	1		
69	1652053400	GROMMET	1		
70	0568249040	HANDRAIL	1		
71	1100041235	BOLT	1		
72	1140020012	WASHER, spring	1		
73	1141110012	WASHER	1		
74	0003610003	WASHER	6		

W2e421

Item	Part number	Description	Q'ty	Chan.	Serial No.	Serv.	COVER (7/7) (front cover) Remarks
0-5	0568243500	COVER ASSY, front	1				
1	0568243400	- COVER	1				
2	0568243410	- COVER	1				
3	0568243480	- SEAL	1				
4	1653602395	- LOCK	1				
4-1	1700100019	- KEY	1				
5	1703003700	- LAMP	1				
5-1	1703003701	- BULB	1				
6	0568243505	- PLATE	1				
7	1100040820	- BOLT	5				
8	1140020008	- WASHER, spring	5				
9	1141110008	- WASHER	5				
11	0378206310	- PLATE	1				
12	0880841210	- RUBBER	1				
13	1654613006	- PLATE	1				sold by the meter
14	1141110010	- PACKING	2				
15	1224010009	- RING, snap	2				

W2e071

CAB MOUNT (for air conditioner; 17520003-17520208)

Item	Part number	Description	Q'ty	Chan.	Serial No.	Serv.	Remarks
0	0564618800	CAB MOUNT					X05646-18800-0
1	0564618900	- CAB	1				
2	1130040016	- NUT	2				
3	1140020016	- WASHER, spring	4				
4	1100041640	- BOLT	2				
5	1141110016	- WASHER	4				

W2e240

Item	Part number	Description	Q'ty	Chan.	Serial No.	Serv.	Remarks
0-2	0568648220	SASH ASSY, front	1				
	0568629100	SASH ASSY, front	1				for air conditioner
1	0568648310	- SASH, front	1				
	0568628900	- SASH, front	1				for air conditioner
2	0568639330	- GLASS	1				
3	0568621800	- SEAL	1				
4	0568621900	- PLATE	1				
5	0568622200	- ROLLER	4				
6	0568622400	- PLATE (L. H.)	1				
7	0568622300	- PLATE	1				
8	0468605031	- SHIM t=0.7	AR				
9	0468605032	- SHIM t=1.2	AR				
10	0468605033	- SHIM t=1.6	AR				
13	0338630440	- PLATE	1				
15	1654005360	- LATCH (L. H.)	1				
16	1654005310	- LATCH (R. H.)	1				
17	1704078924	- MOTOR, wiper	1				
18	1704100530	- ARM, wiper	1				
19	1704200530	- BLADE	1				
20	1654005400	- MIRROR	1				
21	1654616080	- DAM	2				sold by the meter
22	1654615085	- DAM	2				sold by the meter
23	1651101028	- STOPPER	2				
24	1654006000	- BOLT	1				
25	1100290820	- BOLT	2				
26	1110090516	- SCREW, cap	12				
28	1120530408	- SCREW	6				
29	1120590408	- SCREW	2				
31	1120590516	- SCREW	3				
34	1140090004	- WASHER, spring	2				
36	1141190008	- WASHER	2				
38	1131242008	- NUT	1				
39	1130090010	- NUT	2				

W2e123

Memo

Item	Part number	Description	Q'ty	Chan.	CONSOLE BOX Serial No.	Serv.	Remarks
		BOX ASSY, console					X05648-10000-10
		BOX ASSY, console(with air conditioner)					X05648-11000-10
1	0564810100	BOX	1				without air conditioner
2	0564810400	COVER	1	(L)	17520003~17520354		
	0564618740	COVER	1	(H)	17520355~		
3	0564624810	BOX	1				with air conditioner
4	1653917022	TRIM (with air conditioner)	4				sold by the meter
5	1653917020	TRIM	1				sold by the meter
6	1653321500	LATCH	1				
8	1150420308	SCREW	4				
9	1120590410	SCREW	5				
10	1652760001	HANDLE	1				
11	1110041020	SCREW, cap	4				
13	1140090004	WASHER, spring	5				
15	1140020010	WASHER, spring	4				
17	1141190004	WASHER	9				
19	1141110010	WASHER	4				
20	1134230004	NUT	4				
22	1654313020	SPONGE	2				sold by the meter
23	1654313030	SPONGE	1				sold by the meter
24	0564709410	COVER (L. H.)	1				without air conditioner
25	0564708710	COVER (R. H.)	1				without air conditioner
26	0564624820	COVER (L. H.)	1				with air conditioner
27	0564624830	COVER (R. H.)	1				with air conditioner
28	1100290820	BOLT	7				
29	1140090008	WASHER, spring	7				
30	1141190008	WASHER, spring	7				
	W2e412						

DEFROSTER (17520003-17520080)

Item	Part number	Description	Q'ty	Chan.	Serial No.	Serv.	Remarks
		DEFROSTER ASSY (mono-boom)					X05645-28900-3
		DEFROSTER ASSY (2-piece boom)					X05645-28000-3
1	0564528100	BRACKET	1				
2	0564528200	BOX	1				
3	1911504000	LOUVER	1				
4	1567415020	HOSE	1				
5	1533011070	CLAMP	1				
6	1567325000	CUFF	2				
7	1652261410	BAND	5				
8	1120590512	SCREW	9				
9	1140090005	WASHER, spring	9				
10	1533011060	CLAMP	1				
11	1700008004	SWITCH, parking brake	1				
12	1700008005	SWITCH, site speed	1				
13	1700008006	SWITCH, axle lock	1				
14	1700008008	SWITCH, lamp	1				
15	1700008007	SWITCH, hazard	1				
16	1700550027	LAMP, pilot	1				
	1700550080	- BULB	1				24V, 3W
17	1700550028	LAMP, pilot	1				
	1700550080	- BULB	1				24V, 3W
18	1700550030	LAMP, pilot	1				2-piece boom
	1700550080	- BULB	1				24V, 3W
19	1141190005	WASHER	4				
20	1652201007	BAND	1				
22	1100040616	BOLT	4				
23	1140020006	WASHER, spring	4				
24	1141110006	WASHER	4				
25	1652022506	GROMMET	1				
27	1120590612	SCREW	2				
28	1140090006	WASHER, spring	2				
29	1141190006	WASHER	2				
30	1700550024	ORNAMENT	2				mono-boom
	1700550024	ORNAMENT	1				2-piece boom

W2e161

AIR CONDITIONER (1/8) (17520209-)

Item	Part number	Description	Q'ty	Chan.	Serial No.	Serv.	Remarks
1	X *****	CONDITIONER ASSY, air	1				X05646-27000-1
2	X *****	COMPRESSOR ASSY	1				X05646-27200-8
3	X *****	CONDENSER ASSY	1				X05646-24400-3
4	X *****	UNIT ASSY, air con.	1				X05646-25600-4
	X *****	DEFROSTER ASSY	1				X05646-24800-2
	W2e381						

AIR CONDITIONER (6/8)

Item	Part number	Description	Q'ty	Chan.	Serial No.	Serv.	Remarks
0-3	X *****	UNIT ASSY, air con.	1				X05646-25600-4
8	1567526540	· HOSE	1				
10	1533001070	· CLAMP	2				
13	1911505400	· UNIT, air con.	1				see page (8/8)
16	1911505670	· BAND	3				
18	1911505710	· TUBE ASSY	2				
20	1911505740	· COVER	1				
24	1100041025	· BOLT	4				
36	1140020010	· WASHER, spring	4				
37	1141110010	· WASHER	4				
40	1911508532	· HOSE	1				
41	1911508563	· HOSE	1				

W2e225

BOOM (17520246-17520408)

Item	Part number	Description	Q'ty	Chan.	Serial No.	Serv.	Remarks
		BOOM ASSY					X05660-36000-9
1	0566037100	BOOM	1				
1-38	0002400038	- BUSHING	2				
1-39	1432200065	- SEAL, dust	2				
2	0566035070	COVER	1				
3	0566032810	PLATE	1				
4	0566032800	PROTECTOR	1				
5	0566021650	PIPE (R. H.)	1				
6	0566021750	PIPE (L. H.)	1				
7	0566021990	PIPE	2				
8	0566018900	HARNES, wiring	1				
9	0566035810	RUBBER	1				
10	0566013100	BRACKET	1				
11	1534000022	CLAMP	4				
12	1534100218	CLAMP	6				
13	0566021600	PIN	1				
14	0566032014	PIN	1				
15	0001608205	PIN	1				
16	0011508340	PIN	1				
17	0011578002	PIN	1				
18	0003600158	SHIM	AR				t=1.0mm
	0003600106	SHIM	AR				t=0.5mm
	0003600105	SHIM	AR				t=0.2mm
19	1100040840	BOLT	1				
20	1100041020	BOLT	7				
21	1100041050	BOLT	4				
22	1100141210	BOLT	2				
23	1100141220	BOLT	2				
24	1100141240	BOLT	1				
25	1130040012	NUT	10				
26	1140020008	WASHER, spring	1				
27	1140020010	WASHER, spring	21				
28	1141110010	WASHER	10				
31	1511050002	ADAPTOR	1				
32	1560001000	FITTING, grease	2				
33	1652201005	BAND	8				
34	0566015400	LAMP ASSY	1				
34-1	1703003901	- BULB	1				
35	1900086800	CYLINDER, boom	1				
36	1900086900	CYLINDER, arm	1				
37	1802743080	HOSE ASSY	2				
38	1934802075	HOSE ASSY	1				
42	1110040845	SCREW, cap	2				
43	1420010240	O-RING	1				
44	0566032570	TUBE	1				
45	0566032660	TUBE (R. H.)	1				
46	1100041045	BOLT	6				
47	1531312100	PROTECTOR	1				sold by the meter
48	0566018980	GAUGE	1				
49	1130040006	NUT	3				
50	1134030006	NUT	3				
51	1652533017	CAP	16				
52	1100040610	BOLT	2				
53	1140020006	WASHER, spring	2				
54	1141110006	WASHER	2				
55	0566021255	PLATE	1				

Memo

BOOM (1/2) (2-piece boom; 17520003-17520245)

Item	Part number	Description	Q'ty	Chan.	Serial No.	Serv.	Remarks
		BOOM ASSY					X05660-32000-9
1	0566032100	BOOM 1	1		17520003~17520158		CLAMP M8
	0566035100	BOOM 1	1		17520159~		CLAMP M10
1-24	0002400038	- BUSHING	2				
1-25	1432200065	- SEAL, dust	2				
2	0566032500	BOOM 2	1		17520003~17520158		CLAMP M8
	0566035600	BOOM 2	1		17520159~		CLAMP M10
2-24	0002400038	- BUSHING	2				
2-25	1432200065	- SEAL, dust	2				
3	0566032810	PLATE	1				
4	0566032800	PROTECTOR	1				
7	0566027030	COVER	1		17520003~17520130		
	0566035070	COVER	1		17520131~		
8	0566032080	HARNES, wiring	1				
9	0567331400	RUBBER	1		17520003~17520130		
	0566035090	RUBBER	1		17520131~		
10	0566013100	BRACKET	1				
14	0566032014	PIN	1				
15	0001608265	PIN	1				
16	0011508340	PIN	1				
17	0011578002	PIN	1				
18	0003600158	SHIM	AR				t=1.0mm
	0003600106	SHIM	AR				t=0.5mm
	0003600105	SHIM	AR				t=0.2mm
19	1100040865	BOLT	1				
20	1100041020	BOLT	3				
22	1100141210	BOLT	3				
24	1100141240	BOLT	1				
25	1130040012	NUT	12				
26	1140020008	WASHER, spring	3		17520003~17520158		
	1140020008	WASHER, spring	1		17520159~		
27	1140020010	WASHER, spring	11		17520003~17520158		
	1140020010	WASHER, spring	13		17520159~		
28	1141110010	WASHER	6				
29	1512380003	ELBOW	1				
	1420010180	- O-RING	1				
30	0007236041	ADAPTOR	1				
	1420010180	- O-RING	1				
32	1560001000	FITTING, grease	1				
33	1652201005	BAND	7				
34	0566015400	LAMP ASSY	1				
34-1	1703003901	- BULB	1				
35	1900086800	CYLINDER, boom	1				
36	1900086900	CYLINDER, arm	1				
37	1900087000	CYLINDER, adjust	2				
38	0003600170	SHIM	AR				t=1.0mm
	0003600102	SHIM	AR				t=0.5mm
	0003600101	SHIM	AR				t=0.2mm
39	1901727500	VALVE, stop	1				
39-1	1901727510	- VALVE, stop	1				
39-2	1901727550	- HANDLE	1				
39-3	1901727560	- BOLT	1				
39-4	1901727570	- WASHER	1				
40	1110040830	SCREW, cap	4				
41	1110040840	SCREW, cap	4				
42	1110040855	SCREW, cap	4				

Item	Part number	Description	Q'ty	Chan.	Serial No.	BOOM (1/2) (2-piece boom: 17520409-) Serv.	Remarks
		BOOM ASSY					X05660-48300-5
1	X *****	BOOM 1	1		17520409~17520465		
	X *****	BOOM 1	1		17520466~1752#		
	460+0014/2	BOOM 1	1	(H)	1752#~	M	No. 23898 NOBAS
1-24	0002400074	· BUSHING	2				
1-25	1432200070	· SEAL, dust	2				
2	X *****	BOOM 2	1		17520409~17520465		
	461+0015/2	BOOM 2	1		17520466~	M	NOBAS
2-24	0002400038	· BUSHING	2				
2-25	1432200065	· SEAL, dust	2				
3	0566041030	PLATE	1				
4	0566032800	PROTECTOR	1				
7	0566041070	COVER	1				
8	0566032080	HARNESS, wiring	1				
9	0566041090	RUBBER	1				
10	0566013100	BRACKET	1				
14	0566041014	PIN	1	(L)	17520409~17520503		
	0566041015	PIN	1		17520504~		
15	001+2015/4	PIN	1			M	NOBAS
16	0011508340	PIN	1		17520409~17520465		
	0011908001	PIN	1		17520466~		
17	0011578005	PIN	1	(L)	17520409~17520503		
	0011578006	PIN	1		17520504~		
18	0003600158	SHIM	AR				t=1.0mm
19	1100040865	BOLT	1				
20	1100041020	BOLT	1				
22	1100141210	BOLT	2				
24	1100141240	BOLT	2				
25	1130040012	NUT	10				
26	1140020008	WASHER, spring	3				
27	1140020010	WASHER, spring	9				
28	1141110010	WASHER	4				
29	1100040825	BOLT	2				
30	1141110008	WASHER	2				
32	1560001000	FITTING, grease	1				
33	1652201005	BAND	7				
34	0566015400	LAMP ASSY	1				
34-1	1703003901	· BULB	1				
35	1900093900	CYLINDER, boom	1				
36	1900086900	CYLINDER, arm	1				
37	1900087000	CYLINDER, adjust	2				
38	0003600170	SHIM	AR				t=1.0mm
39	0003600218	SHIM	AR				t=1.0mm
40	1110040830	SCREW, cap	4				
41	1110040840	SCREW, cap	6				
42	1110040845	BOLT	2				
43	1420010220	O-RING	2				
44	001+1349/4	PIN	1			M	NOBAS
45	001+2016/4	PIN	1			M	NOBAS
47	0003600181	SHIM	AR				
48	1531312100	PROTECTOR	1				sold by the meter
51	1100141220	BOLT	1				
53	001+2017/4	PIN	1			M	NOBAS
54	017+0109/4	PLATE	2			M	NOBAS
55	1652533016	CAP	1		17520466~		
59	1560001675	FITTING, grease	1				

BOOM (2/2) (2-piece boom, with emergency shut-off valve; 17520003-17520245)

Item	Part number	Description	Q'ty	Chan.	Serial No.	Serv.	Remarks
		BOOM ASSY (for boom)			17520131~		X05660-35000-1
		BOOM ASSY (for boom+arm)			17520131~		X05660-35300-1
		BOOM ASSY (for boom, arm+adjust)			17520131~		X05660-35500-1
5	0566032050	PIPE (L. H.)	1				
6	0566032060	PIPE (R. H.)	1				
11	0437318300	CLAMP	8				
12	1934802135	HOSE ASSY	1				
13	0566027050	PIPE	2				
21	1100041050	BOLT	8				
23	1802743090	HOSE ASSY	2				
26	1140020008	WASHER, spring	4		17520131~1752#		
27	1140020010	WASHER, spring	8		17520131~17520158		
	1140020010	WASHER, spring	12		17520159~		
28	1141110010	WASHER	8				
31	1511050002	ADAPTOR	1				
49	0566027430	PIPE (R. H.)	1				
50	0566027440	PIPE (L. H.)	1				
52	0566027450	PIPE	4				
55	1652533016	CAP	8				
	1652533016	CAP	6				for boom+arm
	1652533016	CAP	2				for boom, arm+adjust
59	1560001675	FITTING, grease	1				
60	1802740100	HOSE ASSY	2				
61	1802740094	HOSE ASSY	2				
62	1802740110	HOSE ASSY	2				
65	1652533017	CAP	16		17520159~		
67	1802740137	HOSE ASSY	2				with shut-off valve
68	1802741124	HOSE ASSY	2				with shut-off valve
70	1534100217	CLAMP	4		17520131~17520158		M8
	1534100218	CLAMP	4		17520159~		M10
72	1100040840	BOLT	4		17520131~17520158		
	1100041045	BOLT	4		17520159~		
	W2f160						

Memo

Item	Part number	Description	Q'ty	Chan.	Serial No.	Serv.	BUCKET Remarks
0	0566212000	BUCKET ASSY	1				750wide
1	X *****	· BUCKET	1				750W
1-3	1914201101	· · ADAPTOR, tooth	4				
2	0566212200	· CUTTER, side (L.H.)	1				
3	0566212300	· CUTTER, side (R.H.)	1				
4	0566211400	· BUSHING	1				
5	0566211500	· PLATE	1				
6	0566211600	· FLANGE	1				
7	0566211700	· SHIM	6				
8	1914201102	· POINT, tooth	4				
9	1914201103	· PIN, lock	4				
10	1914201104	· PIN	4				
11	1100052050	· BOLT	6				
12	1100051230	· BOLT	3				
13	1130050020	· NUT	6				
14	1140020012	· WASHER, spring	3				
15	1213000836	· PIN, spring	1				
	W2f050						

Item	Part number	Description	Q'ty	Chan.	3RD AUXILIARY LINE (1/2)		Remarks
					Serial No.	Serv.	
0	0567337000	LINE ASSY, 3rd aux. (mono-boom)	1		17520003~17520465		X05673-37000-4
	0567347200	LINE ASSY, 3rd aux. (mono-boom)	1		17520466~		X05673-47200-4
1	0567337010	· PIPE (R. H.)	1		17520003~17520465		
	0567347210	· PIPE (R. H.)	1		17520466~		
2	0567337020	· PIPE (L. H.)	1		17520003~17520465		
	0567347220	· PIPE (L. H.)	1		17520466~		
3	0567337030	· HOSE ASSY	1				18010-22260
4	0567337040	· HOSE ASSY	1				18010-22260
5	0567336050	· HOSE ASSY	1				18010-52066
6	0567336060	· HOSE ASSY	1				18010-52066
7	0567336070	· CLAMP	8		17520003~17520465		
	0567339570	· CLAMP	8		17520466~		
8	1100040816	· BOLT	12				
9	1140020008	· WASHER, spring	14				
10	1501750002	· PLUG	6				
	1420010110	· · O-RING	1				
11	X *****	· VALVE ASSY, solenoid	1				X05673-36100-1
11-1	0567336101	· · PLATE	1				
11-2	1100040890	· · BOLT	3				
11-3	1140020008	· · WASHER, spring	3				
11-4	1141110008	· · WASHER	3				
11-5	1515012040	· · ELBOW	2				
	1420010110	· · · O-RING	1				
11-6	1515600200	· · ADAPTOR	2				
	1420010110	· · · O-RING	1				
11-7	1700100065	· · SWITCH, pressure	1				
	1420010110	· · · O-RING	1				
11-8	1901741400	· · VALVE, solenoid	1		17520003~1752#		24V No. 21101
	1901747200	· · VALVE, solenoid	1	(H)	1752#~		24V
11-8-1	1901741402	· · · SOLENOID	1				
11-8-2	1901741403	· · · COIL	1				
12	1513390038	· TEE	1		17520003~17520331		
	1513390015	· TEE	1		17520332~		
13	1512370011	· TEE	1				
	1420010110	· · O-RING	1				
14	1100040825	· BOLT	2				
15	1531335070	· PROTECTOR	1				
25	0567346430	· ADAPTOR (R. H.)	1		17520466~		
26	0567346440	· ADAPTOR (L. H.)	1		17520466~		
27	1805100135	· HOSE ASSY	2		17520466~		
28	1515100110	· ELBOW	2		17520466~		
	1420010110	· · O-RING	1		17520466~		

W2F106

Item	Part number	Description	Q'ty	3RD AUXILIARY LINE (2/2) (2-piece boom)		
				Chan.	Serial No. Serv. Remarks	
0	0567338000	LINE ASSY, 3rd aux. (2-piece boom)	1		17520003~17520465	X05673-38000-6
	0567347600	LINE ASSY, 3rd aux. (2-piece boom)	1		17520466~	X05673-47600-4
7	1140020008	· WASHER, spring	4			
10	0567336130	· DECAL	1			
19	1700550031	· LAMP, pilot	1			
20	1730500008	· DIODE	1			
21	1711900067	· UNIT, relay	1			
22	1130040006	· NUT	1			
23	1140020006	· WASHER, spring	1			
24	1141110006	· WASHER	1			
25	1700100064	· SWITCH, foot	1			
26	1100040820	· BOLT	4			
	W2f136					

				4TH AUXILIARY LINE (1/2) (2-piece boom)			
Item	Part number	Description	Q'ty	Chan.	Serial No.	Serv.	Remarks
0	0567347700	LINE ASSY, 4th aux. (2-piece boom)	1		17520003~1752#		X05673-47700-5
	0567348900	LINE ASSY, 4th aux. (2-piece boom)	1		1752#~		X05673-48900-0 23366
1	0567348010	- PIPE (R. H.)	1				
2	0567348020	- PIPE (L. H.)	1				
3	0567348030	- PIPE	2				
4	0567348040	- BLOCK	1				
5	0567348050	- CLAMP	1				
6	0567348060	- BRACKET	1				
7	0567347330	- HOSE ASSY	1				
8	0567347340	- HOSE ASSY	1				
9	0567347350	- HOSE ASSY	1				18015-41335
10	0567347360	- HOSE ASSY	1				18015-41330
11	0567339570	- CLAMP	3				
12	0563900100	- PLATE	1				
13	1534000015	- CLAMP	5				
14	1801600135	- HOSE ASSY	2				
15	1805207071	- HOSE ASSY	2				
16	1100040816	- BOLT	3				
17	1100040835	- BOLT	5				
18	1100040855	- BOLT	2				
19	1111141200	- SCREW, cap	2				
20	1140020008	- WASHER, spring	10				
21	1515100110	- ELBOW	2				
	1420010110	- O-RING	1				
32	1100041020	- BOLT	1				
33	1140020010	- WASHER, spring	1				

W2f302

DECAL (17520003-17520208)

Item	Part number	Description	Q'ty	Chan.	Serial No.	Serv.	Remarks
0	0569353000	DECAL SET (German) (2-piece boom)	1				X05693-53000-5
	0569353100	DECAL SET (English) (2-piece boom)	1				X05693-53100-5
	0569353200	DECAL SET (French) (2-piece boom)	1				X05693-53200-5
	0569353300	DECAL SET (Italian) (2-piece boom)	1				X05693-53300-5
	0569353400	DECAL SET (German) (mono-boom)	1				X05693-53400-1
	0569353500	DECAL SET (English) (mono-boom)	1				X05693-53500-1
	0569353600	DECAL SET (French) (mono-boom)	1				X05693-53600-1
	0569353700	DECAL SET (Italian) (mono-boom)	1				X05693-53700-1
1	0569351001	. DECAL	1				
2	0569351002	. DECAL	2				
3	0569321300	. DECAL	2				
4	0569321400	. DECAL	1				
5	0569353005	. DECAL	1				
6	0569353006	. DECAL	1				
7	0569351007	. DECAL (German)	1				
	0569353107	. DECAL (English)	1				
	0569353207	. DECAL (French)	1				
	0569353307	. DECAL (Italian)	1				
8	0359308100	. DECAL (German)	4				
	0359306500	. DECAL (English)	4				
	0359309100	. DECAL (French)	4				
	0359310100	. DECAL (Italian)	4				
9	0359314400	. DECAL (German)	3				
	0359307400	. DECAL (English)	3				
	0359315400	. DECAL (French)	3				
	0359316400	. DECAL (Italian)	3				
10	0339375260	. DECAL (German)	1				
	0359306600	. DECAL (English)	1				
	0339375460	. DECAL (French)	1				
	0339375660	. DECAL (Italian)	1				
11	0359306700	. DECAL	1				
12	X *****	. DECAL	1				
13	X *****	. SCREW	4				
14	X *****	. DECAL	1				
15	0569349105	. DECAL (German)	1				
	0569349005	. DECAL (English)	1				
	0569349205	. DECAL (French)	1				
	0569349305	. DECAL (Italian)	1				
16	0569353016	. DECAL (German)	1				
	0569353116	. DECAL (English)	1				
	0569353216	. DECAL (French)	1				
	0569353316	. DECAL (Italian)	1				
17	0569321910	. DECAL	1				
18	0569327940	. DECAL (German)	1				
	0569321940	. DECAL (English)	1				
	0569328940	. DECAL (French)	1				
	0569329940	. DECAL (Italian)	1				
20	0359314700	. DECAL (German)	1				
	0359313700	. DECAL (English)	1				
	0359315700	. DECAL (French)	1				
	0359316700	. DECAL (Italian)	1				
21	0569327400	. DECAL (German)	1				
	0569326400	. DECAL (English)	1				
	0569328400	. DECAL (French)	1				
	0569329400	. DECAL (Italian)	1				
22	0329360100	. DECAL	1				

		DECAL (17520209-)					
Item	Part number	Description	Q'ty	Chan.	Serial No.	Serv.	Remarks
18	0569321940	· DECAL (English)	1				
	0569328940	· DECAL (French)	1				
	0569329940	· DECAL (Italian)	1				
	0579300605	· DECAL (Russian)	1				
20	0359314700	· DECAL (German)	1				
	0359313700	· DECAL (English)	1				
	0359315700	· DECAL (French)	1				
	0359316700	· DECAL (Italian)	1				
	0579300606	· DECAL (Russian)	1				
21	0569327400	· DECAL (German)	1				
	0569326400	· DECAL (English)	1				
	0569328400	· DECAL (French)	1				
	0569329400	· DECAL (Italian)	1				
	0579300607	· DECAL (Russian)	1				
22	0329360100	· DECAL	1				
23	0359325190	· DECAL	1				
24	0399300400	· DECAL	1				
25	0399300500	· DECAL	3				
26	0399305100	· DECAL	1				
27	0569334030	· DECAL	1				
28	0569334070	· DECAL	1				
29	0569334080	· DECAL	1				
31	0569334100	· DECAL (German)	1				
	0569353131	· DECAL (English)	1				
	0569353231	· DECAL (French)	1				
	0569353331	· DECAL (Italian)	1				
	0569359403	· DECAL (Russian)	1				
32	X *****	· DECAL	1				
34	X *****	· DECAL	1				
35	0569353035	· DECAL	1				
36	0569353036	· DECAL	1				
37	X *****	· DECAL	1				
38	X *****	· SCREW	4				
39	0569334010	· DECAL	1				mono-boom
40	0569334020	· DECAL	1				mono-boom
41	0339375210	· DECAL (German)	1				
	0359347010	· DECAL (English)	1				
	0339375410	· DECAL (French)	1				
	0339375610	· DECAL (Italian)	1				
	0579300609	· DECAL (Russian)	1				
42	0339375220	· DECAL (German)	1				
	0359347020	· DECAL (English)	1				
	0339375420	· DECAL (French)	1				
	0339375620	· DECAL (Italian)	1				
	0579300610	· DECAL (Russian)	1				
43	0339375240	· DECAL (German)	1				
	0339375040	· DECAL (English)	1				
	0339375440	· DECAL (French)	1				
	0339375640	· DECAL (Italian)	1				
	0579300611	· DECAL (Russian)	1				
44	0399351210	· DECAL	1				
45	0569353910	· DECAL (German)	1				
	0569353810	· DECAL (English)	1				
	0569354010	· DECAL (French)	1				
	0569354110	· DECAL (Italian)	1				
	0569357903	· DECAL (Russian)	1				

Item	Part number	Description	Q'ty	Chan.	Serial No.	Serv.	SWIVEL JOINT Remarks
0	NB9305247	COVER ROT. DISTRIBUTOR	1				19040-07800
0-1	NB2000001144	· ROT. DISTRIBUTOR	1				
0-2	NB2000001158	· · SEAL KIT	1				
1	NB2000001150	· · · RING	7				
2	NB2000001152	· · · RING	1				
3	NB2000001156	· · · RING	1				
4	NB2000001149	· · SCREW	7				
5	NB2000001151	· · HOUSING	1				
6	NB2000001153	· · COVER	1				
7	NB2000001154	· · SCREW	3				
8	NB2000001155	· · SPRING RING	3				
9	NB2000001157	· · ROTOR	1				
0-3	NB2000001145	· ROT. DISTRIBUTOR	1				
0-4	NB2000001178	· · SEAL KIT	1				
10	NB2000001160	· · · RING	2				
11	NB2000001161	· · · O-RING	2				
12	NB2000001163	· · · RING	1				
13	NB2000001164	· · · RING	2				
14	NB2000001167	· · · O-RING	5				
15	NB2000001168	· · · SDLIDE RING	5				
16	NB2000001172	· · · JOINT	12				
17	NB2000001176	· · · RING	1				
18	NB2000001159	· · SCREW	2				
19	NB2000001162	· · COVER	1				
20	NB2000001165	· · HOUSING	1				
21	NB2000001166	· · ROTOR	1				
22	NB2000001169	· · PIN	1				
23	NB2000001170	· · NUT	7				
24	NB2000001171	· · SCREW	6				
25	NB2000001155	· · SPRING RING	6				
26	NB2000001173	· · DISTRIBUTOR	1				
28	NB2000001175	· · PIN	1				
29	NB2000001177	· · UNION	6				
30	NB2000001146	· DRIVER	1				
31	NB2000001147	· SCREW	2				
32	NB2000001148	· SPRING RING	2				

W2h010

INLET HOUSING ASSY

Item	Part number	Description	Q'ty	Chan.	Serial No.	Serv.	Remarks
0	1901039003	HOUSING, inlet	1				
1	1901031791	- SCREW, cap	1				
2	1901031793	- SLEEVE	1				
3	1901031794	- PIN	1				
4	1420010120	- O-RING	1				
5	1901031795	- PISTON	1				
6	1901031751	- HOLDER, spring	1				
7	1901031756	- SPRING	1				
8	1901031762	- CAP	1				
9	1420010210	- O-RING	1				
10	1901031763	- CAP	1				
11	1420010200	- O-RING	1				
12	1110020660	- SCREW, cap	8				
13	1420100550	- O-RING	1				

L3h050

OUTLET HOUSING ASSY (17520466-)

Item	Part number	Description	Q'ty	Chan.	Serial No.	Serv.	Remarks
0	1901043808	HOUSING, outlet	1				
1	1901042665	· ORIFICE	2				
2	1901043880	· FILTER	1				
	L3h560						

SOLENOID VALVE; 2 BLOCKS

Item	Part number	Description	Q'ty	Chan.	Serial No.	Serv.	Remarks
0	1901737300	VALVE ASSY, solenoid (2-blocks)	1				
1	1901735511	- SPRING	2				
2	1901738907	- SOLENOID	2				
3	1901738312	- PLUG	3				
4	1110040512	- SCREW, cap	4				
5	1420000160	- O-RING	2				
6	1420010110	- O-RING	3				
7	1901738918	- BAND	1				
8	1901738919	- TUBE	2				

W2h090

PILOT VALVE (R. H.) (17520209-)

Item	Part number	Description	Q'ty	Chan.	Serial No.	Serv.	Remarks
0	1901745800	VALVE, pilot	1				RIGHT
1	1901745702	- PLATE	1				
2	1901710912	- PLUG	4				
3	1901719011	- ROD	2				
4	1901719012	- ROD	2				
5	1901710914	- SEAL	4				
6	1420010200	- O-RING	4				
7	1901745709	- HOLDER	2				
8	1901745710	- HOLDER	2				
9	1901710917	- WASHER	4				
10	1901745712	- SPRING	4				
11	1901745713	- SPRING	2				
12	1901745714	- SPRING	2				
13	1901720232	- JOINT	1				
14	1901743620	- PLATE	1				
15	1901735625	- NUT	1				
16	1901735626	- NUT	1				
17	1901740432	- LEVER	1				
18	1901740410	- HANDLE	1				
19	1213000528	- PIN, spring	1				
20	1901735630	- BUSHING	1				
21	1901740446	- RECEPTACLE	1				
22	1901740447	- WEDGE	1				
23	1901735632	- BOOT	1				

W2h390

Item	Part number	Description	Q'ty	Chan.	Serial No.	Serv.	Remarks
							REMOTE CONTROL VALVE (brake)
0	NB9341153	BRAKE VALVE	1				19017-26100
1	NB9442226	· PRESSURE SWITCH	1				
2	NB9442256	· PRESSURE SWITCH	1				
3	NB989462071	· PRESSURE SWITCH	1				
	W2h030						

LOAD HOLDING VALVE (adjust)

Item	Part number	Description	Q'ty	Chan.	Serial No.	Serv.	Remarks
0	1901746200	VALVE ASSY, load holding	1				
0-1	1901746299	· KIT, seal	1				
1	X 1901746204	· · O-RING	1				
2	X 1901746208	· · RING, back-up	1				
3	X 1901746211	· · O-RING	1				
4	1901746201	· CAP	1				
5	1901746202	· PLUG	1				
6	1901746203	· PLUG	2				
7	1901746205	· SOCKET	1				
8	1901746206	· SEAL	1				
9	1901742907	· BOLT	1				
10	1901741023	· VALVE, relief	1				
11	1901746210	· CAP	1				

L3h520

Item	Part number	Description	Q'ty	Chan.	Serial No.	Serv.	ARM CYLINDER Remarks
0	1900086900	CYLINDER	1				arm
0-1	1900086999	· KIT, seal	1				
1	X 1900086972	· · BUFFER RING	1				
2	X 1900063431	· · PACKING, rod	1				
3	X 1900069633	· · SEAL, dust	1				
4	X 1420110950	· · O-RING	2				
5	X 1900086928	· · RING, back-up	1				
6	X 1420101000	· · O-RING	1				
7	X 1900063728	· · RING, back-up	1				
8	X 1900047031	· · PACKING, piston	1				
9	X 1420010260	· · O-RING	2				
10	1900086998	· TUBE KIT	1				
11	1900065702	· · BUSHING	1				
12	1900086997	· ROD KIT, piston	1				
13	1900065702	· · BUSHING	1				
14	1900086996	· COVER KIT	1				
15	1900086905	· · BEARING, cushion	1				
16	1900086920	· BUSHING	1				
17	1900063414	· RING, retaining	1				
18	1900086908	· HOLDER	1				
19	1900086916	· RING, cushion	2				
20	1900086919	· COLLAR	1				
21	1900086906	· PISTON	1				
22	1900089525	· RING, wear	2				
23	1121051010	· SET-SCREW	1				
24	1390020400	· BALL, steel	1				
25	1900063625	· BEARING, cushion	1				
26	1900086956	· RING, cushion	1				
27	1900063641	· RING, retaining	1				
28	1900063640	· STOPPER	2				
29	1900065719	· SEAL, dust	4				
30	1900079161	· NIPPLE	1				
31	1900086910	· PIPE ASSY	1				
32	1900086958	· PLUG	1				
33	1900086917	· HOLDER	1				
34	1100050830	· BOLT	1				
35	1560001000	· FITTING, grease	1				

W2h161

BUCKET CYLINDER (17520209-17520746, 17500748-17520750)

Item	Part number	Description	Q'ty	Chan.	Serial No.	Serv.	Remarks
0	1900091000	CYLINDER	1				bucket
0-1	1900091099	· KIT, seal	1				
1	X 1900087027	· · BUFFER RING	1				
2	X 1900050631	· · PACKING, rod	1				
3	X 1900070831	· · SEAL, dust	1				
4	X 1420110800	· · O-RING	1				
5	X 1900091027	· · RING, back-up	1				
6	X 1420100850	· · O-RING	1				
7	X 1900050932	· · PACKING, piston	1				
8	1900091098	· TUBE KIT	1				
9	1900047002	· · BUSHING	1				
10	1900091097	· ROD KIT, piston	1				
11	1900047002	· · BUSHING	1				
12	1900091003	· COVER, rod	1				
13	1900091006	· PISTON	1				
14	1900063214	· RING, retaining	1				
15	1900087013	· BUSHING	1				
16	1900091026	· RING, wear	2				
17	1900047023	· SEAL, dust	4				
18	1121041010	· SET-SCREW	1				
19	1390020400	· BALL, steel	1				
20	1560001900	· FITTING, grease	1				
21	1560001675	· FITTING, grease	1				
22	1900091010	· PIPE ASSY	1				
23	1100041016	· BOLT	1				
24	1141110010	· WASHER	1				
25	1900086958	· PLUG	1				
26	1420010260	· O-RING	2				

L3h460

RAM LOCK CYLINDER

Item	Part number	Description	Q'ty	Chan.	Serial No.	Serv.	Remarks
0	NB9342037	CYLINDER	2				
0-1	NB2000001117	· SEAL KIT	1				
1	NB2000001105	· · WIPER	1				
2	NB2000001106	· · RING	1				
3	NB2000001107	· · O-RING	1				
4	NB2000001112	· · O-RING	1				
5	NB2000001113	· · O-RING	1				
6	NB2000001114	· · RING	1				
7	NB2000001115	· · O-RING	1				
8	NB2000001116	· · O-RING	1				
9	NB2000001100	· HOUSING	1				
10	NB2000001101	· ROD	1				
11	NB2000001102	· VALVE INSERT	1				
12	NB2000001103	· CYLINDER	1				
13	NB2000001104	· PISTON	1				
14	NB2000001108	· SCREW	5				
15	NB2000001109	· SCREW	1				
16	NB2000001110	· SCREW	1				
17	NB2000001111	· SCREW	1				

W2h050

TRAVEL MOTOR (3/5)

Item	Part number	Description	Q'ty	Chan.	Serial No.	Serv.	Remarks
0	NB2000002403	CONTROL PART	1		17520003~17520067		
	NB9301191	CONTROL PART	1		17520068~		
14	NB9306308	· O-RING	1		17520003~17520067		
	NB9301193	· O-RING	1		17520068~		
16	NB2000002413	· SCREW PLUG	1				
21	NB9701382	· COLLAR UNIT	1				
	W2h321						

SLEW MOTOR (2/2) (motor sec.)

Item	Part number	Description	Q'ty	Chan.	Serial No.	Serv.	Remarks
0	1903120900	MOTOR ASSY, slew	1				
0-3	X *****	MOTOR ASSY	1				
0-4	1903905599	KIT, seal	1				
1	X 1420111450	O-RING	1				
2	X 1420111300	O-RING	1				
3	X 1420300257	O-RING	1				
4	X 1420300259	O-RING	1				
5	X 1420010110	O-RING	1				
6	X 1420010210	O-RING	2				
7	X 1420310916	O-RING	1				
8	X 1420010150	O-RING	1				
9	X 1421020150	RING, back-up	1				
10	X 1420010160	O-RING	1				
11	X 1421020160	RING, back-up	1				
12	X 1420010140	O-RING	4				
13	X 1420010110	O-RING	2				
14	X 1420010110	O-RING	1				
15	X 1420010070	O-RING	2				
16	X 1420010100	O-RING	3				
17	X 1420010080	O-RING	1				
18	1903905598	BLOCK ASSY, cylinder	1				
19	1903905501	CASE	1				
20	1903102003	BEARING	1				
21	1903905504	SHAFT	1				
22	1903905505	PLATE, thrust	1				
23	1903905515	DISK	3				
24	1903905516	PLATE	2				
25	1903905517	COLLAR	1				
26	1903905519	PISTON, brake	1				
27	1903905522	SPRING	12				
28	1903905523	SPRING	8				
29	1501750002	PLUG	1				
	1420010110	O-RING	1				
30	1903905527	COVER	1				
31	1903904722	POPPET	2				
32	1903904723	PLUG	2				
33	1903904725	SPRING	2				
34	1903905528	VALVE, relief	2				
35	1901802713	ORIFICE	1				
36	1903115927	BEARING	1				
37	1212000610	PIN	1				
38	1903115925	PLATE	1				
39	1903120119	PIN	2				
40	1212000820	PIN	2				
41	1110021440	SCREW, cap	4				
42	1903905529	VALVE ASSY	1				
43	1903905532	VALVE ASSY	1				
44	1110020820	SCREW, cap	3				
45	1501750003	PLUG	1				
	1420010140	O-RING	1				
46	1110020630	SCREW, cap	2				
47	1110021440	SCREW, cap	4				

L3h290

NUMERICAL INDEX

Part number	Page	Item	Part number	Page	Item	Part number	Page	Item	Part number	Page	Item	Part number	Page	Item
	4-13			4-14	3-6		4-15	10-1-1	05650-61020	4-16	55-8	05652-24210	4-17	46
	4-13			4-14	37		4-15	10-1-2	05650-61030	4-16	56	05660-13100	4-17	1-1
	4-13			4-14	3-7		4-15	10-1-3	05650-61040	4-16	57		4-17	1-11
05650-33170	4-13			4-14	3-8		4-15	10-1-4	05650-61050	4-16	58		4-17	1-12
	4-13			4-14	3-9		4-15	10-2	05650-61060	4-16	59		4-17	1-13
	4-13		05650-33850	4-14	4-1		4-15	10-3	05650-61070	4-16	60	05660-17380	4-17	1-14
	4-13			4-14	4-2		4-15	10-4	05650-61080	4-16	61-1		4-17	1-15
	4-13			4-14	4-3	05650-51050	4-15	13-1	05650-61100	4-16	61-2		4-17	1-16
	4-13			4-14	4-4		4-15	13-2	05650-61110	4-16	61-3	05660-18980	4-17	1-17
	4-13			4-14	4-5		4-15	13-3	05650-61120	4-16	61-4		4-17	1-18
	4-13			4-14	4-6		4-15	19	05650-61200	4-16	61-5		4-17	1-19
05650-33410	4-13		05650-33920	4-14	4-7		4-15	21	05650-61300	4-16	61-6	05660-21255	4-17	1-20
	4-13		05650-33930	4-14	4-8		4-15	32	05651-02405	4-16	61-7		4-17	12-1
	4-13		05650-33950	4-14	6		4-15	33		4-16	62		4-17	12-10
	4-13		05650-33960	4-14			4-15	35	05651-03800	4-16	63	05660-21600	4-17	12-11
	4-13		05650-33980	4-14		05650-51060	4-15	36		4-16	64		4-17	1-22
	4-13		05650-43000	4-14			4-15	37	05651-03810	4-16	65	05660-21970	4-17	12-2
	4-13		05650-43010	4-14			4-15	9		4-16	66		4-17	1-23
	4-13			4-14			4-15		05651-03820	4-16	67		4-17	12-3
05650-33601	4-13		05650-43020	4-14			4-15		05651-03830	4-16			4-17	1-24
	4-13			4-14			4-15			4-16		05660-21980	4-17	12-4
	4-13		05650-43030	4-14		05650-51230	4-15		05651-03840	4-16			4-17	1-25
	4-13			4-15	8		4-15			4-16			4-17	12-5
	4-13		05650-43040	4-15	17		4-15		05651-03850	4-16			4-17	1-26
	4-14	25		4-15	18		4-15			4-16		05660-21990	4-17	12-6
	4-14	14-1	05650-43050	4-15	28	05650-51240	4-15		05651-04000	4-16			4-17	1-27
	4-14	14-2		4-15	39		4-15		05651-04200	4-16		05660-27050	4-17	12-7
05650-33815	4-14	14-3	05650-43060	4-15	40		4-15		05651-13250	4-16			4-17	1-28
	4-14	21	05650-43070	4-15	41		4-16	20	05651-14200	4-17	7	05660-27430	4-17	12-8
	4-14	24	05650-43500	4-15	42	05650-51250	4-16	25	05651-15060	4-17	16		4-17	12-9
	4-14	26	05650-43560	4-15	43		4-16	32	05651-15300	4-17	23	05660-27440	4-17	1-3
	4-14	3-1	05650-43570	4-15	44		4-16	33	05651-15310	4-17	24		4-17	1-4
	4-14	3-10	05650-43580	4-15	47		4-16	36	05651-15320	4-17	26	05660-27450	4-17	1-5
05650-33830	4-14	3-11	05650-44010	4-15	48	05650-51260	4-16	55-1	05651-15400	4-17	27		4-17	15-1
	4-14	32	05650-44030	4-15	49		4-16	55-2	05651-25300	4-17	29	05660-32010	4-17	15-2
	4-14	3-2	05650-44040	4-15	50		4-16	55-3	05651-26010	4-17	33		4-17	15-3
	4-14	33	05650-44160	4-15	51		4-16	55-4	05651-26210	4-17	34	05660-32570	4-17	1-6
	4-14	3-3	05650-48620	4-15	52	05650-52010	4-16	55-5	05652-12100	4-17	36		4-17	1-7
	4-14	3-5		4-15	53	05650-61000	4-16	55-6	05652-21180	4-17	37	05660-32660	4-17	1-8
05650-33840	4-14	36	05650-51040	4-15	10-1	05650-61010	4-16	55-7	05652-23550	4-17	38		4-17	1-9

NUMERICAL INDEX

Part number	Page	Item	Part number	Page	Item	Part number	Page	Item	Part number	Page	Item	Part number	Page	Item
	6-17	31-3		6-18			6-2	31		6-2	34-1		6-3	48
	6-17	31-4		6-18			6-2	32		6-2	44		6-3	51
	6-17	31-5		6-19	11		6-2	33		6-2	60		6-3	59
	6-17	31-6		6-19	12		6-2	34		6-2	77		6-3	63
	6-17	31-7		6-19	13		6-2	35		6-20	20		6-3	64
	6-17	31-8		6-19	14		6-2	36		6-20	22		6-3	67
	6-17	31-9		6-19	16		6-2	39		6-20	23		6-3	68
	6-17	32		6-19	17		6-2	41		6-20			6-3	69
	6-17	33		6-19	18		6-2	42		6-3	3		6-3	70
	6-17	34		6-19	19		6-2	43		6-3	4		6-3	72
	6-17	38		6-19	20		6-2	45		6-3	7		6-3	74
	6-17	9		6-19	21		6-2	46		6-3	8		6-3	75
	6-17			6-19	3		6-2	47		6-3	9		6-3	76
	6-17			6-19	4		6-2	48		6-3	10		6-3	78
	6-17			6-19	5		6-2	49		6-3	14		6-3	79
	6-17			6-19	6		6-2	50		6-3	16		6-3	80
	6-17			6-19	8		6-2	51		6-3	17		6-3	81
	6-17			6-19	9		6-2	53		6-3	18		6-3	82
	6-17			6-19			6-2	54		6-3	19		6-3	83
	6-17			6-2	2		6-2	55		6-3	20		6-3	84
	6-17			6-2	3		6-2	56		6-3	24		6-3	85
	6-18	6		6-2	4		6-2	57		6-3	25		6-3	86
	6-18	7		6-2	10		6-2	58		6-3	26		6-3	87
	6-18	8		6-2	11		6-2	59		6-3	27		6-3	88
	6-18	14		6-2	12		6-2	61		6-3	28		6-3	89
	6-18	25-10		6-2	14		6-2	62		6-3	29		6-3	90
	6-18	25-14		6-2	16		6-2	63		6-3	30		6-3	91
	6-18	25-6		6-2	17		6-2	64		6-3	32		6-3	1-24
	6-18	25-7		6-2	18		6-2	65		6-3	33		6-3	1-25
	6-18	25-8		6-2	19		6-2	66		6-3	34		6-3	21
	6-18	29		6-2	20		6-2	67		6-3	35		6-3	2-24
	6-18	30		6-2	21		6-2	68		6-3	36		6-3	2-25
	6-18	9		6-2	23		6-2	71		6-3	37		6-3	34-1
	6-18			6-2	24		6-2	72		6-3	38		6-3	55
	6-18			6-2	25		6-2	73		6-3	39		6-3	57
	6-18			6-2	26		6-2	74		6-3	40		6-3	58
	6-18			6-2	27		6-2	75		6-3	41		6-3	71
	6-18			6-2	28		6-2	76		6-3	42		6-3	
	6-18			6-2	29		6-2	1-38		6-3	43		6-4	5
	6-18			6-2	30		6-2	1-39		6-3	47		6-4	6

CLICK HERE TO **DOWNLOAD** THE COMPLETE MANUAL

- Thank you very much for reading the preview of the manual.
- You can download the complete manual from: www.heydownloads.com by clicking the link below



- Please note: If there is no response to CLICKING the link, please download this PDF first and then click on it.

CLICK HERE TO **DOWNLOAD** THE COMPLETE MANUAL