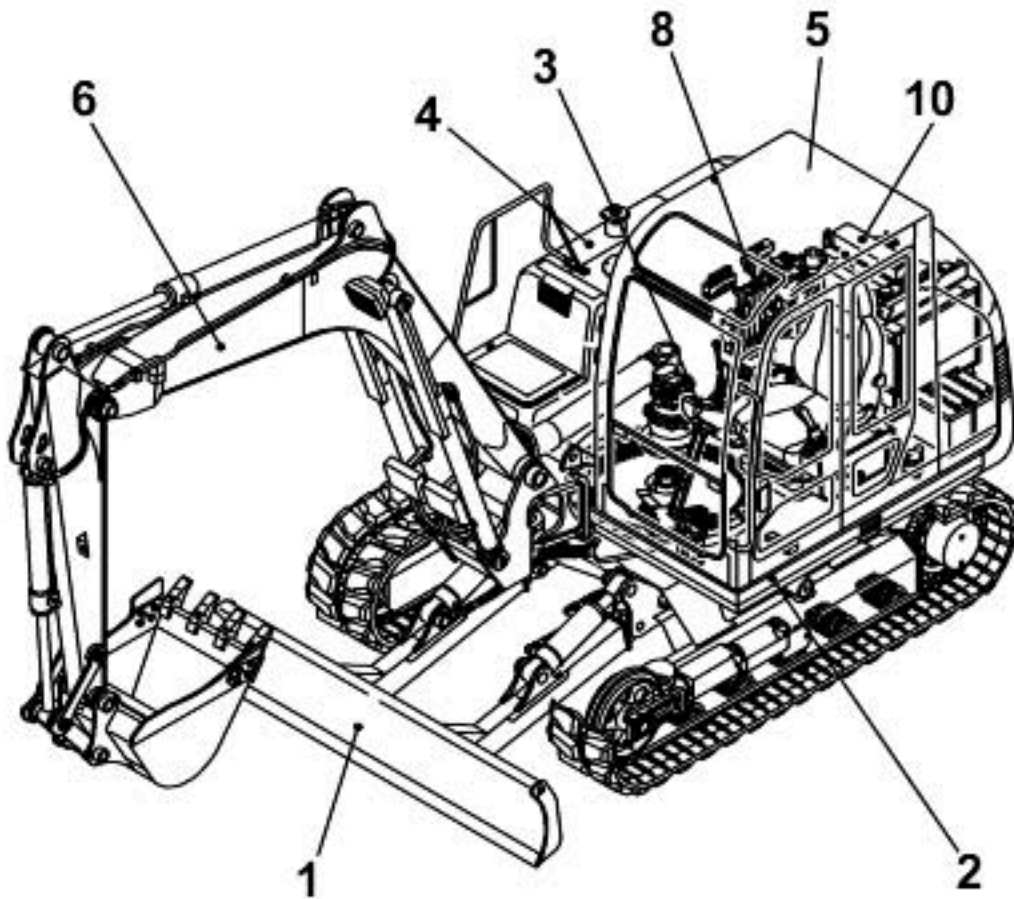


# TB175

BookNo BL7Z002  
SerialNo.17530001-



# TAKEUCHI

CLICK HERE TO **DOWNLOAD** THE COMPLETE MANUAL

- Thank you very much for reading the preview of the manual.
- You can download the complete manual from: [www.heydownloads.com](http://www.heydownloads.com) by clicking the link below



- Please note: If there is no response to CLICKING the link, please download this PDF first and then click on it.

CLICK HERE TO **DOWNLOAD** THE COMPLETE MANUAL

**CRAWLER BELT**

Item	Part number	Description	Q'ty	Chan.	Serial No.	Serv.	Remarks
0	<b>1914087300</b>	BELT, steel crawler	2				450mm shoe
	<b>1914088100</b>	BELT, steel crawler	2				550mm shoe
0-1	<b>1914087199</b>	• LINK ASSY	2				
1	<b>1914087001</b>	• • LINK(R.H.)	38				
2	<b>1914087002</b>	• • LINK(L.H.)	38				
3	<b>1914087003</b>	• • LINK, master(R.H.)	1				
4	<b>1914087004</b>	• • LINK, master(L.H.)	1				
5	<b>1914087005</b>	• • BUSHING	38				
6	<b>1914087006</b>	• • PIN, track	38				
7	<b>1914087012</b>	• • BUSHING	1				
8	<b>1914087007</b>	• • PIN, master	1				
9	<b>1914087013</b>	• • COLLAR	2				
10	<b>1914087014</b>	• • PIN, split	1				
11	<b>1914087015</b>	• • SEAL	76				
12	<b>1914087009</b>	• BOLT	156				
13	<b>1914087010</b>	• NUT	156				
14	<b>1914087311</b>	• PLATE	39				450mm shoe
	<b>1914088011</b>	• PLATE	39				550mm shoe
15	<b>1914086300</b>	BELT, rubber crawler	2				
	<b>L7a020</b>						

**FRONT IDLER**

Item	Part number	Description	Q'ty	Chan.	Serial No.	Serv.	Remarks
		IDLER ASSY, front					
0-1	<b>0561400600</b>	IDLER SUB ASSY, front	2				
1	<b>0561400100</b>	· IDLER	1				
2	<b>0561400200</b>	· BLOCK	2				
3	<b>0561400300</b>	· SHAFT	1				
4	<b>0561400400</b>	· BUSHING	2				
5	<b>1432500800</b>	· SEAL, floating	2				
6	<b>1420100500</b>	· O-RING	2				
7	<b>1213101020</b>	· PIN, spring	2				
8	<b>1501810001</b>	· PLUG	1				
9	<b>0561401500</b>	PLATE	2				
10	<b>1101041450</b>	BOLT	8				
11	<b>1140020014</b>	WASHER, spring	8				
	<b>L3a052</b>						

**DOZER BLADE**

Item	Part number	Description	Q'ty	Chan.	Serial No.	Serv.	Remarks
		BLADE ASSY, dozer					
		BLADE ASSY, wide dozer					
1	<b>0566320100</b>	BLADE SUB ASSY, dozer	1				2150mm wide
	<b>0566321100</b>	BLADE SUB ASSY, wide dozer	1				2250mm wide
1-19	<b>1560001675</b>	• FITTING, grease	2				
1-22	<b>0002200016</b>	• BUSHING	2				
1-23	<b>1432200050</b>	• SEAL, dust	4				
2	<b>0001607160</b>	PIN	4				
3	<b>0001605160</b>	PIN	2				
4	<b>1103141205</b>	BOLT	4				
5	<b>1103041295</b>	BOLT	2				
6	<b>1130240012</b>	NUT	12				
7	<b>1515010041</b>	ELBOW	4				
	<b>1420010140</b>	• O-RING	1				
8	<b>1900100900</b>	CYLINDER, dozer blade (R.H.)	1				MITSUO
9	<b>1900101000</b>	CYLINDER, dozer blade (L.H.)	1				MITSUO
	<b>L7a050</b>						

**SWING STOPPER**

Item	Part number	Description	Q'ty	Chan.	Serial No.	Serv.	Remarks
1	<b>0563900100</b>	STOPPER ASSY PLATE	1				
2	<b>1111141200</b> <b>L3b040</b>	SCREW, cap	2				

**ARM REST**

Item	Part number	Description	Q'ty	Chan.	Serial No.	Serv.	Remarks
		REST ASSY, arm					
3	<b>0563600300</b>	REST, arm	1				
5	<b>1110090820</b>	SCREW, cap	3				
6	<b>1140490008</b>	WASHER, spring	3				
7	<b>1141190008</b>	WASHER	3				
	<b>L3b090</b>						

**PIPING; OPERATION LEVER (2/2) (ISO-JCB pattern)**

Item	Part number	Description	Q'ty	Chan.	Serial No.	Serv.	Remarks
		PIPING ASSY					
13	0567137130	HOSE ASSY	1				18010-22195
	1801022195	* HOSE ASSY	1				
14	0567137140	HOSE ASSY	1				18010-22215
	1801022215	* HOSE ASSY	1				
15	0567137150	HOSE ASSY	1				18010-22195
	1801022195	* HOSE ASSY	1				
16	0567137160	HOSE ASSY	1				18010-22215
	1801022215	* HOSE ASSY	1				
17	0567148780	HOSE ASSY	1				
18	0567137180	HOSE ASSY	1				
32	0567148320	HOSE ASSY	1				19348-22230
	1934822230	* HOSE ASSY	1				
33	0567148330	HOSE ASSY	1				19348-22200
	1934822200	* HOSE ASSY	1				
40	0567147400	HOSE ASSY	1				19348-22135
	1934822135	* HOSE ASSY	1				
41	0567137410	HOSE ASSY	1				19348-22050
	1934822050	* HOSE ASSY	1				
42	0567137420	HOSE ASSY	1				19348-52044
	1934852044	* HOSE ASSY	1				
43	0567137430	HOSE ASSY	1				18010-22040
	1801022040	* HOSE ASSY	1				
44	0567137440	HOSE ASSY	1				19348-22026
	1934822026	* HOSE ASSY	1				
45	0567137450	HOSE ASSY	1				19348-22090
	1934822090	* HOSE ASSY	1				
46	0567137460	HOSE ASSY	1				19348-52052
	1934852052	* HOSE ASSY	1				
56	1531345045	PROTECTOR	1				sold by the meter
67	1531350035	PROTECTOR	1				sold by the meter
	L7b101						

**PIPING; OPERATION LEVER (3/4) (multi pattern)**

Item	Part number	Description	Q'ty	Chan.	Serial No.	Serv.	Remarks
		PIPING ASSY					
13	<b>0567137130</b>	HOSE ASSY	1				18010-22195
	<b>1801022195</b>	* HOSE ASSY	1				
14	<b>0567137140</b>	HOSE ASSY	1				18010-22215
	<b>1801022215</b>	* HOSE ASSY	1				
15	<b>0567137150</b>	HOSE ASSY	1				18010-22195
	<b>1801022195</b>	* HOSE ASSY	1				
16	<b>0567137160</b>	HOSE ASSY	1				18010-22215
	<b>1801022215</b>	* HOSE ASSY	1				
17	<b>0567148780</b>	HOSE ASSY	1				
18	<b>0567137180</b>	HOSE ASSY	1				
32	<b>0567148320</b>	HOSE ASSY	1				19348-22230
	<b>1934822230</b>	* HOSE ASSY	1				
33	<b>0567148330</b>	HOSE ASSY	1				19348-22125
	<b>1934822125</b>	* HOSE ASSY	1				
36	<b>0567147360</b>	HOSE ASSY	1				19348-22170
	<b>1934822170</b>	* HOSE ASSY	1				
38	<b>0567147380</b>	HOSE ASSY	1				19348-22115
	<b>1934822115</b>	* HOSE ASSY	1				
40	<b>0567147400</b>	HOSE ASSY	1				19348-22135
	<b>1934822135</b>	* HOSE ASSY	1				
41	<b>0567137410</b>	HOSE ASSY	1				19348-22050
	<b>1934822050</b>	* HOSE ASSY	1				
42	<b>0567137420</b>	HOSE ASSY	1				19348-52044
	<b>1934852044</b>	* HOSE ASSY	1				
43	<b>0567137430</b>	HOSE ASSY	1				18010-22040
	<b>1801022040</b>	* HOSE ASSY	1				
44	<b>0567137440</b>	HOSE ASSY	1				19348-22026
	<b>1934822026</b>	* HOSE ASSY	1				
45	<b>0567137450</b>	HOSE ASSY	1				19348-22090
	<b>1934822090</b>	* HOSE ASSY	1				
46	<b>0567137460</b>	HOSE ASSY	1				19348-52052
	<b>1934852052</b>	* HOSE ASSY	1				
56	<b>1531345045</b>	PROTECTOR	1				sold by the meter
67	<b>1531350035</b>	PROTECTOR	1				sold by the meter
	<b>L7B170</b>						

**DRAIN PLUG**

Item	Part number	Description	Q'ty	Chan.	Serial No.	Serv.	Remarks
1	1554502250	PLUG ASSY, drain	1				
2	1432122302	PLUG	1				
3	1554512601	WASHER	1				
	L3c041	TUBE	1				

**Electrical (1/2) (17530314~)**

Item	Part number	Description	Q'ty	Chan.	Serial No.	Serv.	Remarks
		Electrical (1/2) SN 17530314~					
1	0564250160	Wiring Harness Assy	1				
1-1	0564250066	* Short Connector	1				
1-2	0564250065	* Cap	1				
1-3	1730500008	* Diode (3A yellow)	1				
5	0564250040	Plate	1				
9	0564250092	Resistor Assy	1				
11	1711900123	Relay	5				
12	1730141650	Controller	1				
13	1140020008	Spring Washer	5				
18	1100040816	Bolt	5				
21	1100040612	Bolt	7				
22	1100040812	Bolt SN 17530314-30541	4				
25	0564250110	Box	1				
26	1653917015	Trim	2				
27	1703700010	Buzzer	1				
35	1141110008	Washer	5				
36	1140020006	Spring Washer	16				
38	1130040006	Nut	4				
39	1141110006	Washer	11				
46	1652201005	Band	1				
52	0872433150	Tube	10				
53	0564249910	Bracket SN 17530542~	1				
54	1730000500	Hour Meter	1				
55	1150110312	Screw	2				
	LI7C301						

**ELECTRICAL (with 1st, 2nd, high pressure 3rd & 4th auxiliary lines)**

Item	Part number	Description	Qty	Chan.	Serial No.	Serv.	Remarks
0	<b>0564249250</b>	ELECTRICAL ASSY (OPTION)	1			M	
1	<b>0564249210</b>	▪ HARNESS ASSY, wiring SN 17530001-30313	1			M	
	<b>0564249220</b>	* HARNESS ASSY, WIRING SN 17530314~	1				
2	<b>0564249770</b>	▪ HARNESS ASSY, wiring	1			M	
2-1	<b>1730500008</b>	▪ ▪ DIODE (3A yellow)	1				
4	<b>0334230400</b>	▪ CONNECTOR, short	1			M	
5	<b>0567336130</b>	▪ DECAL	1				
6	<b>0567346795</b>	▪ DECAL	1				
9	<b>0569353036</b>	▪ DECAL	1				
11	<b>1100040820</b>	▪ BOLT	4				
12	<b>1100040612</b>	▪ BOLT	2				
13	<b>1140020006</b>	▪ WASHER, spring	2				
14	<b>1140020008</b>	▪ WASHER, spring	4				
15	<b>1141110006</b>	▪ WASHER	2				
17	<b>1700100064</b>	▪ SWITCH, foot	1				
18	<b>1700550024</b>	▪ ORNAMENT	1				
19	<b>1700550032</b>	▪ LAMP, pilot	1			M	
20	<b>1700550035</b>	▪ LAMP, pilot	1			M	
22	<b>1711900124</b>	▪ RELAY SN 17530001-30313	1			M	
	<b>1711900123</b>	* RELAY SN 17530314~	1				
	<b>L7c101</b>						

**ELECTRICAL (2-piece boom; with 1st & 2nd auxiliary lines)**

Item	Part number	Description	Q'ty	Chan.	Serial No.	Serv.	Remarks
0	<b>0564249500</b>	ELECTRICAL ASSY (OPTION)	1			M	
1	<b>0564249660</b>	▪ HARNESS ASSY, wiring SN 17530001-30313	1			M	
	<b>0564249670</b>	* HARNESS ASSY, WIRING SN 17530314~	1				
2	<b>0564249770</b>	▪ HARNESS ASSY, wiring	1			M	
2-1	<b>1730500008</b>	▪ ▪ DIODE (3A yellow)	1				
8	<b>0569353035</b>	▪ DECAL	1				
9	<b>0569353036</b>	▪ DECAL	1				
12	<b>1100040612</b>	▪ BOLT	1				
13	<b>1140020006</b>	▪ WASHER, spring	1				
15	<b>1141110006</b>	▪ WASHER	1				
18	<b>1700550024</b>	▪ ORNAMENT	2				
21	<b>1700550040</b>	▪ LAMP, pilot	1			M	
22	<b>1711900124</b>	▪ RELAY SN 17530001-30313	1			M	
	<b>1711900123</b>	* RELAY SN 17530314~	1				
25	<b>0564243920</b>	▪ CONNECTOR, short	1			M	
	<b>L7c151</b>						

**ELECTRICAL (2-piece boom; with 1st, 2nd, 3rd & 4th auxiliary lines)**

Item	Part number	Description	Q'ty	Chan.	Serial No.	Serv.	Remarks
0	<b>0564249750</b>	ELECTRICAL ASSY (OPTION)	1			M	
1	<b>0564249760</b>	▪ HARNESS ASSY, wiring SN 17530001-30313	1			M	
	<b>0564249780</b>	* HARNESS ASSY, WIRING SN 17530314~	1				
2	<b>0564249770</b>	▪ HARNESS ASSY, wiring	1			M	
2-1	<b>1730500008</b>	▪ ▪ DIODE (3A yellow)	1				
5	<b>0567336130</b>	▪ DECAL	1				
6	<b>0567346795</b>	▪ DECAL	1				
7	<b>0567346796</b>	▪ DECAL	1				
11	<b>1100040820</b>	▪ BOLT	4				
12	<b>1100040612</b>	▪ BOLT	3				
13	<b>1140020006</b>	▪ WASHER, spring	3				
14	<b>1140020008</b>	▪ WASHER, spring	4				
15	<b>1141110006</b>	▪ WASHER	3				
17	<b>1700100064</b>	▪ SWITCH, foot	1				
19	<b>1700550032</b>	▪ LAMP, pilot	1			M	
20	<b>1700550035</b>	▪ LAMP, pilot	1			M	
21	<b>1700550040</b>	▪ LAMP, pilot	1			M	
22	<b>1711900124</b>	▪ RELAY SN 17530001-30313	3			M	
	<b>1711900123</b>	* RELAY SN 17530314~	3				
	<b>L7c201</b>						

**BATTERY**

Item	Part number	Description	Q'ty	Chan.	Serial No.	Serv.	Remarks
		BATTERY ASSY					
1	0564427250	CLAMP	1			M	
2	0564429100	PLATE ASSY	1			M	
2-1	0564426270	• PLATE	1			M	
2-2	1130040008	• NUT	3				
2-3	1140020008	• WASHER, spring	3				
2-4	0003608252	• WASHER	3				
2-5	Y129938-75030	• ECU	1			M	Y129927-75101
3	0564426230	COVER ASSY	1			M	
3-1	0564426280	• BOX	1			M	
3-2	1100040616	• BOLT	2				
3-3	1130040005	• NUT	5				
3-4	1130040006	• NUT	2				
3-5	1140020005	• WASHER, spring	5				
3-6	1140020006	• WASHER, spring	2				
3-7	1141110005	• WASHER	5				
3-8	1141110006	• WASHER	2				
3-9	1653917018	• TRIM	2			M	sold by the meter
3-10	1700100051	• SWITCH	1				
3-11	1711900124	• RELAY	2			M	
	1711900123	* RELAY	2				
	1711900123	* RELAY	1				
3-12	Y129927-77920	• RELAY	3			M	Y129927-77920
3-13	1702230045	• CABLE, battery	1			M	
3-14	1702531040	• CABLE, earth	1			M	
3-15	1711900064	• CLAMP	3				
3-16	1130040010	• NUT	3				
3-17	1140020010	• WASHER, spring	3				
3-18	1141110010	• WASHER	3				
3-19	Y129927-77910	• BRACKET	3			M	Y129927-77910
3-20	1711900144	* CLAMP	1				
3-21	Y198461-52950	* RELAY					
6	0564427240	SHEET	1			M	
8	1702051531	BATTERY	1			M	
10	0564426020	CABLE ASSY, battery	1			M	
10-2	1702330000	• TERMINAL	1				
10-3	1702920060	• COVER	1				
10-4	1702901283	• CAP	1			M	
18	1702108245	BOLT	2			M	
19	1711900072	CLAMP	1				
23	1652231140	BAND	1				
25	1100040812	BOLT	4				
27	1100040895	BOLT	4				
28	1130040006	NUT	3				
29	1130040008	NUT	5				
30	1130040010	NUT	2				
31	1140020006	WASHER, spring	3				
32	1140020008	WASHER, spring	9				
33	1140020010	WASHER, spring	2				
34	1141110006	WASHER	3				
35	1141110008	WASHER	6				
37	1140330010	WASHER	1				
38	1702910016	COVER	1				
39	1531325140	PROTECTOR	1			M	
40	1700100038	COVER	3				
41	0872433150	TUBE	6				
42	1100041020	BOLT	1				

L7c232

**BOOM LIGHT**

Item	Part number	Description	Q'ty	Chan.	Serial No.	Serv.	Remarks
0	<b>0566060000</b>	BOOM LAMP ASSY				M	
1	<b>0566013100</b>	▪ BRACKET	1				
2	<b>1703002700</b>	▪ LAMP ASSY	1			M	
2-1	<b>1703002706</b>	▪ ▪ BULB	1			M	
3	<b>0566060010</b>	▪ HARNESS, wiring	1			M	
4	<b>1100041020</b>	▪ BOLT	1				
5	<b>1140020010</b>	▪ WASHER, spring	1				
6	<b>1652201005</b>	▪ BAND	1				
7	<b>1141110010</b>	▪ WASHER	1				
8	<b>1141110012</b>	▪ WASHER	1				
9	<b>1140330012</b>	▪ WASHER	1			M	
10	<b>1140330010</b>	* WASHER	1				
	<b>L7c271</b>						

VALVE & ACCESSORIES (1/2) 17531118~

Item	Part number	Description	Q'ty	Chan.	Serial No.	Serv.	Remarks
		VALVE ASSY, control					
1	X *****	VALVE, control	1				
1-1	0007203033	· ADAPTOR	1				
1-2	0007203076	· ADAPTOR	1				
1-3	0007203074	· ADAPTOR	1				
	1420010180	· · O-RING	1				
1-4	0565029140	· MANIFOLD	1				
1-5	1110041025	· SCREW, cap	4				
1-6	1140020010	· WASHER, spring	4				
1-7	1420010180	· O-RING	3				
1-8	1420100450	· O-RING	1				
1-9	1513390027	· TEE	1				
	1420010110	· · O-RING	1				
1-11	1501750002	· PLUG	1				
	1420010110	· · O-RING	1				
1-12	1515012040	· ELBOW	9				
	1420010110	· · O-RING	1				
1-13	1515600203	· ADAPTOR	1				
	1420010240	· · O-RING	1				
1-14	1515010043	· ELBOW	1				
	1420010240	· · O-RING	1				
1-15	1515010052	· ELBOW	1				
	1420010240	· · O-RING	1				
1-16	1515010132	· ELBOW	1				
	1420010180	· · O-RING	1				
1-17	1515600200	· ADAPTOR	10				
	1420010110	· · O-RING	1				
1-18	1515600202	· ADAPTOR	7				
	1420010180	· · O-RING	1				
1-19	1515600573	· ADAPTOR	2				
	1420010180	· · O-RING	1				
1-20	1901040700	· VALVE, control	1				
1-21	1901735400	· ADAPTOR	1				
	1420010180	* * O-RING	1				
1-22	0565029150	· ELBOW (with orifice)	1				
	1420010110	* * O-RING	1				
2	X *****	VALVE, control	1				
2-1	0007224006	· ADAPTOR	1				
2-2	1420010180	· O-RING	1				
2-3	1501750002	· PLUG	2				
	1420010110	· · O-RING	1				
2-4	1501750003	· PLUG	2				
	1420010140	· · O-RING	1				
2-5	1515012040	· ELBOW	2				
	1420010110	· · O-RING	1				
2-6	1515010041	· ELBOW	1				
	1420010140	· · O-RING	1				
2-7	1515100111	· ELBOW	1				
	1420010140	· · O-RING	1				
2-8	1515600200	· ADAPTOR	4				
	1420010110	· · O-RING	1				
2-9	1515600572	· ADAPTOR	2				
	1420010140	· · O-RING	1				
2-10	1515600573	· ADAPTOR	2				
	1420010180	· · O-RING	1				
2-11	1901048200	· VALVE, control	1				
2-12	1512370011	* TEE	1				
	1420010110	* * O-RING	1				
8	X *****	VALVE ASSY	1				
8-1	1515012040	· ELBOW	3				
	1420010110	· · O-RING	1				
8-2	1515600200	· ADAPTOR	1				
	1420010110	· · O-RING	1				
8-3	1901734800	· VALVE	1				
9	0565029900	BRACKET	1				
10	0565051080	BRACKET	1				
17	1100040850	BOLT	2				
19	1100041016	BOLT	3				

**VALVE & ACCESSORIES (2/3) (with 2nd auxiliary lines)**

Item	Part number	Description	Q'ty	Chan.	Serial No.	Serv.	Remarks
		VALVE ASSY, control					
3	X *****	VALVE, solenoid	1				
3-1	0565051040	• PLATE	1				
3-2	1901752300	• VALVE, solenoid	1				M
3-3	1513370801	• TEE	1				M
	1420010140	• • O-RING	1				
3-4	1513370047	• ADAPTOR (with filter)	1				
	1420010140	• • O-RING	1				
3-5	1515600577	• ADAPTOR	1				
	1420010180	• • O-RING	1				
3-6	1515010051	• ELBOW	1				
	1420010180	• • O-RING	1				
3-7	1515010130	• ELBOW	1				
	1420010110	• • O-RING	1				
3-8	1515012040	• ELBOW	3				
	1420010110	• • O-RING	1				
3-9	1100041090	• BOLT	2				M
3-10	1141110010	• WASHER	2				
3-11	1140020010	• WASHER, spring	2				
3-12	1515010050	• ELBOW	1				
	1420010140	• • O-RING	1				
5	X *****	VALVE, solenoid	1				
5-1	1512370008	• ADAPTOR (with filter)	1				
	1420010110	• • O-RING	1				
5-2	1515012040	• ELBOW	3				
	1420010110	• • O-RING	1				
5-3	1901752100	• VALVE, proportional control	1				M
6	X *****	MANIFOLD	1				
6-1	0565029610	• MANIFOLD	1				
6-2	1515600202	• ADAPTOR	4				
	1420010180	• • O-RING	1				
6-3	1515600203	• ADAPTOR	2				
	1420010240	• • O-RING	1				
7	X *****	VALVE, stop	1				
7-1	1512373008	• TEE	1				
	1420010240	• • O-RING	1				
7-2	1513350005	• CONNECTOR	1				
	1420010240	• • O-RING	1				
7-3	1901723700	• VALVE, stop	1				
14	1100040820	BOLT	4				
18	1100040875	BOLT	2				
20	1100041020	BOLT	6				
24	1140020008	WASHER, spring	6				
25	1140020010	WASHER, spring	6				
27	1141110008	WASHER	6				
28	1141110010	WASHER	6				
31	0565033601	PLATE	1				
	L7d052						

**VALVE & ACCESSORIES (3/3) (with 2nd auxiliary lines)**

Item	Part number	Description	Q'ty	Chan.	Serial No.	Serv.	Remarks
		VALVE ASSY, control					
13	1100040816	BOLT	2				
24	1140020008	WASHER, spring	2				
27	1141110008	WASHER	2				
38	X *****	VALVE ASSY, solenoid	1				
38-1	1515100110	· ELBOW	1				
	1420010110	· · O-RING	1				
38-2	1901752100	· VALVE, proportional control	1			M	
38-3	0565033815	· PLATE	1				
38-4	1100040820	· BOLT	2				
38-5	1140020008	· WASHER, spring	2				
38-6	1141110008	· WASHER	2				
38-7	1515012040	· ELBOW	2				
	1420010110	· · O-RING	1				
38-8	1512370012	· ELBOW (with filter)	1				
	1420010110	· · O-RING	1				
39	0565051060	HOSE ASSY	1				19348-52050
39-1	1934852050	* HOSE ASSY	1				
40	0565033830	HOSE ASSY	1				
40-1	1934852050	* HOSE ASSY	1				
41	0565033840	HOSE ASSY	1				
41-1	1934822075	* HOSE ASSY	1				
42	0565033850	HOSE ASSY	1				
42-1	1934822070	* HOSE ASSY	1				
43	1513390043	TEE	1				
	L7d062						

**VALVE & ACCESSORIES (1/3) (with 2nd & 4th auxiliary lines)**

Item	Part number	Description	Q'ty	Chan.	Serial No.	Serv.	Remarks
		VALVE ASSY, control					
1	X *****	VALVE, control	1				
1-1	0007203033	· ADAPTOR	1				
1-2	0007203076	· ADAPTOR	1				
1-3	0007203074	· ADAPTOR	1				
	1420010180	· · O-RING	1				
1-4	0565029140	· MANIFOLD	1				
1-5	1110041025	· SCREW, cap	4				
1-6	1140020010	· WASHER, spring	4				
1-7	1420010180	· O-RING	3				
1-8	1420100450	· O-RING	1				
1-9	1513390027	· TEE	1				
	1420010110	· · O-RING	1				
1-11	1501750002	· PLUG	1				
	1420010110	· · O-RING	1				
1-12	1515012040	· ELBOW	8				
	1420010110	· · O-RING	1				
1-13	1515600203	· ADAPTOR	1				
	1420010240	· · O-RING	1				
1-14	1515010043	· ELBOW	1				
	1420010240	· · O-RING	1				
1-15	1515010052	· ELBOW	1				
	1420010240	· · O-RING	1				
1-16	1515010132	· ELBOW	1				
	1420010180	· · O-RING	1				
1-17	1515600200	· ADAPTOR	10				
	1420010110	· · O-RING	1				
1-18	1515600202	· ADAPTOR	7				
	1420010180	· · O-RING	1				
1-19	1515600573	· ADAPTOR	2				
	1420010180	· · O-RING	1				
1-20	1901040700	· VALVE, control	1				
1-21	1901735400	· ADAPTOR	1				
	1420010180	* * O-RING	1				
1-22	0565029150	· ELBOW (with orifice)	1				
	1420010110	* * O-RING	1				
1-23	1512370011	· TEE	1				
	1420010110	· · O-RING	1				
2	X *****	VALVE, control	1				
2-1	0007224006	· ADAPTOR	1				
2-2	1420010180	· O-RING	1				
2-3	1515012040	· ELBOW	3				
	1420010110	· · O-RING	1				
2-4	1515010041	· ELBOW	1				
	1420010140	· · O-RING	1				
2-5	1515100111	· ELBOW	1				
	1420010140	· · O-RING	1				
2-6	1515600200	· ADAPTOR	5				
	1420010110	· · O-RING	1				
2-8	1515600572	· ADAPTOR	2				
	1420010140	· · O-RING	1				
2-9	1515600573	· ADAPTOR	2				
	1420010180	· · O-RING	1				
2-10	1901048200	· VALVE, control	1				
2-11	0007213023	· BUSHING	2				
	1420010140	· · O-RING	1				
2-12	1512370011	· TEE	1				
	1420010110	* * O-RING	1				
2-13	1515010131	· ELBOW	2				
	1420010140	· · O-RING	1				
8	X *****	VALVE ASSY	1				
8-1	1515012040	· ELBOW	3				
	1420010110	· · O-RING	1				
8-2	1515600200	· ADAPTOR	1				
	1420010110	· · O-RING	1				
8-3	1901734800	· VALVE	1				
9	0565029900	BRACKET	1				
10	0565051080	BRACKET	1				

**VALVE & ACCESSORIES (1/2) (high flow)**

Item	Part number	Description	Q'ty	Chan.	Serial No.	Serv.	Remarks
22	<b>1100041030</b>	BOLT	7				
23	<b>1100041230</b>	BOLT	4				
24	<b>1140020008</b>	WASHER, spring	2				
25	<b>1140020010</b>	WASHER, spring	10				
26	<b>1140020012</b>	WASHER, spring	4				
27	<b>1141110008</b>	WASHER	2				
28	<b>1141110010</b>	WASHER	10				
29	<b>1141110012</b>	WASHER	4				
35	<b>0565030550</b>	HOSE ASSY	1				
36	<b>0565030560</b>	HOSE ASSY	1				19348-52026
36-1	<b>1934852026</b>	* * HOSE ASSY	1				
	<b>L7d102</b>						

**VALVE & ACCESSORIES (1/3) (with high pressure 3rd & 4th auxiliary lines)**

Item	Part number	Description	Q'ty	Chan.	Serial No.	Serv.	Remarks
		VALVE ASSY, control					
1	X *****	VALVE, control	1				
1-1	0007203033	· ADAPTOR	1				
1-2	0007203076	· ADAPTOR	1				
1-3	0007203074	· ADAPTOR	1				
	1420010180	· · O-RING	1				
1-4	0565029140	· MANIFOLD	1				
1-5	1110041025	· SCREW, cap	4				
1-6	1140020010	· WASHER, spring	4				
1-7	1420010180	· O-RING	3				
1-8	1420100450	· O-RING	1				
1-9	1513390027	· TEE	1				
	1420010110	· · O-RING	1				
1-11	1501750002	· PLUG	1				
	1420010110	· · O-RING	1				
1-12	1515012040	· ELBOW	8				
	1420010110	· · O-RING	1				
1-13	1515600203	· ADAPTOR	1				
	1420010240	· · O-RING	1				
1-14	1515010043	· ELBOW	1				
	1420010240	· · O-RING	1				
1-15	1515010052	· ELBOW	1				
	1420010240	· · O-RING	1				
1-16	1515010132	· ELBOW	1				
	1420010180	· · O-RING	1				
1-17	1515600200	· ADAPTOR	10				
	1420010110	· · O-RING	1				
1-18	1515600202	· ADAPTOR	7				
	1420010180	· · O-RING	1				
1-19	1515600573	· ADAPTOR	2				
	1420010180	· · O-RING	1				
1-20	1901040700	· VALVE, control	1				
1-21	1901735400	· ADAPTOR	1				
	1420010180	* * O-RING	1				
1-22	0565029150	· ELBOW (with orifice)	1				
	1420010110	* * O-RING	1				
1-23	1512370011	· TEE	1				
	1420010110	· · O-RING	1				
2	X *****	VALVE, control	1				
2-1	0007224006	· ADAPTOR	1				
2-2	1420010180	· O-RING	1				
2-3	1515012040	· ELBOW	3				
	1420010110	· · O-RING	1				
2-4	1515010041	· ELBOW	1				
	1420010140	· · O-RING	1				
2-5	1515012511	· ELBOW	1				
	1420010140	· · O-RING	1				
2-6	1515600200	· ADAPTOR	5				
	1420010110	· · O-RING	1				
2-8	1515600572	· ADAPTOR	3				
	1420010140	· · O-RING	1				
2-9	1515600573	· ADAPTOR	2				
	1420010180	· · O-RING	1				
2-10	1901043800	· VALVE, control	1				
2-11	0007213023	· BUSHING	3				
	1420010140	· · O-RING	1				
2-12	1513390015	· TEE	1				
2-13	1515010131	· ELBOW	1				
	1420010140	· · O-RING	1				
8	X *****	VALVE ASSY					
8-1	1515012040	· ELBOW	3				
	1420010110	· · O-RING	1				
8-2	1515600200	· ADAPTOR	1				
	1420010110	· · O-RING	1				
8-3	1901734800	· VALVE	1				
9	0565029900	BRACKET	1				
10	0565051050	BRACKET	1				
17	1100040850	BOLT	2				

**VALVE & ACCESSORIES (1/2) (high flow)**

Item	Part number	Description	Q'ty	Chan.	Serial No.	Serv.	Remarks
17	<b>1100040850</b>	BOLT	2				
19	<b>1100041016</b>	BOLT	3				
20	<b>1100041020</b>	BOLT	3				
22	<b>1100041030</b>	BOLT	7				
23	<b>1100041230</b>	BOLT	4				
24	<b>1140020008</b>	WASHER, spring	2				
25	<b>1140020010</b>	WASHER, spring	10				
26	<b>1140020012</b>	WASHER, spring	4				
27	<b>1141110008</b>	WASHER	2				
28	<b>1141110010</b>	WASHER	10				
29	<b>1141110012</b>	WASHER	4				
33	<b>1533700041</b>	BAND	4				
34	<b>1530525032</b>	HOSE	1				
37	<b>0565060040</b>	HOSE ASSY	1				
37-1	<b>1934852050</b>	* HOSE ASSY	1				
	<b>L7D460</b>						

**VALVE & ACCESSORIES (2/3) 2ND AUX LINE; HIGH FLOW**

Item	Part number	Description	Q'ty	Chan.	Serial No.	Serv.	Remarks
		VALVE ASSY, control					
3	X *****	VALVE, solenoid	1				
3-1	0565051040	· PLATE	1				
3-2	1901752300	· VALVE, solenoid	1				M
3-3	1513370801	· TEE	1				M
	1420010140	· · O-RING	1				
3-4	1513370047	· ADAPTOR (with filter)	1				
	1420010140	· · O-RING	1				
3-5	1515600577	· ADAPTOR	1				
	1420010180	· · O-RING	1				
3-6	1515010051	· ELBOW	1				
	1420010180	· · O-RING	1				
3-7	1515010130	· ELBOW	1				
	1420010110	· · O-RING	1				
3-8	1515012040	· ELBOW	3				
	1420010110	· · O-RING	1				
3-9	1100041090	· BOLT	2				M
3-10	1141110010	· WASHER	2				
3-11	1140020010	· WASHER, spring	2				
3-12	1515010050	· ELBOW	1				
	1420010140	· · O-RING	1				
5	X *****	VALVE, solenoid	1				
5-1	1512370008	· ADAPTOR (with filter)	1				
	1420010110	· · O-RING	1				
5-2	1515012040	· ELBOW	3				
	1420010110	· · O-RING	1				
5-3	1901752100	· VALVE, proportional control	1				M
6	X *****	MANIFOLD	1				
6-1	0565029610	· MANIFOLD	1				
6-2	1515600202	· ADAPTOR	4				
	1420010180	· · O-RING	1				
6-3	1515600203	· ADAPTOR	2				
	1420010240	· · O-RING	1				
7	X *****	VALVE, stop	1				
7-1	1512373008	· TEE	1				
	1420010240	· · O-RING	1				
7-2	1513350005	· CONNECTOR	1				
	1420010240	· · O-RING	1				
7-3	1901723700	· VALVE, stop	1				
14	1100040820	BOLT	4				
18	1100040875	BOLT	2				
20	1100041020	BOLT	6				
24	1140020008	WASHER, spring	6				
25	1140020010	WASHER, spring	6				
27	1141110008	WASHER	4				
28	1141110010	WASHER	6				
31	0565033601	PLATE	1				
	L7D480						

**VALVE & ACCESSORIES (3/3) 2ND & 4TH AUX LINE HIGH FLOW**

Item	Part number	Description	Q'ty	Chan.	Serial No.	Serv.	Remarks
		VALVE ASSY, control					
13	1100040816	BOLT	2				
20	1100041020	BOLT	2				
24	1140020008	WASHER, spring	2				
25	1140020010	WASHER, spring	2				
27	1141110008	WASHER	2				
38	X *****	VALVE ASSY, solenoid	1				
38-1	1515100110	• ELBOW	1				
	1420010110	• • O-RING	1				
38-2	1901752100	• VALVE, proportional control	1			M	
38-3	0565033815	• PLATE	1				
38-4	1100040820	• BOLT	2				
38-5	1140020008	• WASHER, spring	2				
38-6	1141110008	• WASHER	2				
38-7	1515012040	• ELBOW	2				
	1420010110	• • O-RING	1				
38-8	1512370012	• ELBOW (with filter)	1				
	1420010110	• • O-RING	1				
39	0565051060	HOSE ASSY	1				19348-52050
39-1	1934852050	* HOSE ASSY	1				
40	0565033830	HOSE ASSY	1				
40-1	1934852050	* HOSE ASSY	1				
41	0565033840	HOSE ASSY	1				
41-1	1934822075	* HOSE ASSY	1				
42	0565033850	HOSE ASSY	1				
42-1	1934822070	* HOSE ASSY	1				
43	1513390043	TEE	1				
44	X *****	VALVE ASSY, solenoid	1				
44-1	1513300016	• ELBOW	2				
	1420010180	• • O-RING	1				
44-2	1515010042	• ELBOW	2				
	1420010180	• • O-RING	1				
44-3	1515010051	• ELBOW	1				
	1420010180	• • O-RING	1				
44-4	1515010517	• ELBOW	1				
	1420010180	• • O-RING	1				
44-5	1515100110	• ELBOW	1				
	1420010110	• • O-RING	1				
44-6	1515600202	• ADAPTOR	2				
	1420010180	• • O-RING	1				
44-7	1901749100	• VALVE, solenoid	1			M	
45	0565051230	BRACKET	1				
46	0565051280	HOSE ASSY	1				
46-1	1801541021	* HOSE ASSY	1				
47	0565051290	HOSE ASSY	1				19348-52030
47-1	1801541028	* HOSE ASSY	1				
49	1110040870	SCREW, cap	2				
50	1140420008	WASHER, spring	2				
51	0565063230	HOSE ASSY	1				
51-1	1801022080	* HOSE ASSY	1				

L7D520

**VALVE & ACCESSORIES (1/2) (2-piece boom)**

Item	Part number	Description	Q'ty	Chan.	Serial No.	Serv.	Remarks
		VALVE ASSY, control					
1	X *****	VALVE, control	1				
1-1	0007203033	· ADAPTOR	2				
1-3	0007203074	· ADAPTOR	2				
	1420010180	· · O-RING	1				
1-4	0565029140	· MANIFOLD	1				
1-5	1110041025	· SCREW, cap	4				
1-6	1140020010	· WASHER, spring	4				
1-7	1420010180	· O-RING	4				
1-8	1420100450	· O-RING	1				
1-9	1513390027	· TEE	1				
	1420010110	· · O-RING	1				
1-11	1501750002	· PLUG	1				
	1420010110	· · O-RING	1				
1-12	1515012040	· ELBOW	9				
	1420010110	· · O-RING	1				
1-13	1515600203	· ADAPTOR	1				
	1420010240	· · O-RING	1				
1-14	1515010043	· ELBOW	1				
	1420010240	· · O-RING	1				
1-15	1512374011	· TEE	1				
	1420010240	· · O-RING	1				
1-16	1515010132	· ELBOW	1				
	1420010180	· · O-RING	1				
1-17	1515600200	· ADAPTOR	10				
	1420010110	· · O-RING	1				
1-18	1515600202	· ADAPTOR	8				
	1420010180	· · O-RING	1				
1-19	1515600573	· ADAPTOR	1				
	1420010180	· · O-RING	1				
1-20	1901040700	· VALVE, control	1				
1-22	0565029150	· ELBOW (with orifice)	1				
	1420010110	* * O-RING	1				
2	X *****	VALVE, control	1				
2-1	0007224006	· ADAPTOR	1				
2-2	1420010180	· O-RING	1				
2-3	1501750002	· PLUG	2				
	1420010110	· · O-RING	1				
2-4	1501750003	· PLUG	2				
	1420010140	· · O-RING	1				
2-5	1515012040	· ELBOW	2				
	1420010110	· · O-RING	1				
2-6	1515010041	· ELBOW	1				
	1420010140	· · O-RING	1				
2-7	1515012511	· ELBOW	1				
	1420010140	· · O-RING	1				
2-8	1515600200	· ADAPTOR	4				
	1420010110	· · O-RING	1				
2-9	1515600572	· ADAPTOR	2				
	1420010140	· · O-RING	1				
2-10	1515600573	· ADAPTOR	2				
	1420010180	· · O-RING	1				
2-11	1901043800	· VALVE, control	1				
8	X *****	VALVE ASSY	1				
8-1	1515012040	· ELBOW	3				
	1420010110	· · O-RING	1				
8-2	1515600200	· ADAPTOR	1				
	1420010110	· · O-RING	1				
8-3	1901734800	· VALVE	1				
9	0565029900	BRACKET	1				
10	0565051050	BRACKET	1				
17	1100040850	BOLT	2				
19	1100041016	BOLT	3				
21	1100041025	BOLT	5				
22	1100041030	BOLT	7				
23	1100041230	BOLT	4				
24	1140020008	WASHER, spring	2				
25	1140020010	WASHER, spring	12				

**VALVE & ACCESSORIES (1/2) (2-piece boom)**

Item	Part number	Description	Q'ty	Chan.	Serial No.	Serv.	Remarks
23	<b>1100041230</b>	BOLT	4				
24	<b>1140020008</b>	WASHER, spring	2				
25	<b>1140020010</b>	WASHER, spring	12				
26	<b>1140020012</b>	WASHER, spring	4				
27	<b>1141110008</b>	WASHER	2				
28	<b>1141110010</b>	WASHER	12				
29	<b>1141110012</b>	WASHER	4				
32	X *****	VALVE, overload	1				
32-1	<b>0565032510</b>	• PLATE	1				
32-2	<b>1100041460</b>	• BOLT	2				
32-3	<b>1140020014</b>	• WASHER, spring	2				
32-4	<b>1141110014</b>	• WASHER	2				
32-5	<b>1515600202</b>	• ADAPTOR	3				
	<b>1420010180</b>	• • O-RING	1				
32-6	<b>1901737500</b>	• VALVE, overload	1				
37	<b>0565060040</b>	HOSE ASSY	1				
37-1	<b>1934852050</b>	* HOSE ASSY	1				
	<b>L7D560</b>						

**VALVE & ACCESSORIES (2/3) (2-piece boom; with 2nd auxiliary lines)**

Item	Part number	Description	Q'ty	Chan.	Serial No.	Serv.	Remarks
		VALVE ASSY, control					
3	X *****	VALVE, solenoid	1				
3-1	0565051040	• PLATE	1				
3-2	1901752300	• VALVE, solenoid	1			M	
3-3	1513370801	• TEE	1			M	
	1420010140	• • O-RING	1				
3-4	1513370047	• ADAPTOR (with filter)	1				
	1420010140	• • O-RING	1				
3-5	1515600577	• ADAPTOR	1				
	1420010180	• • O-RING	1				
3-6	1515010051	• ELBOW	1				
	1420010180	• • O-RING	1				
3-7	1515010130	• ELBOW	1				
	1420010110	• • O-RING	1				
3-8	1515012040	• ELBOW	3				
	1420010110	• • O-RING	1				
3-9	1100041090	• BOLT	2			M	
3-10	1141110010	• WASHER	2				
3-11	1140020010	• WASHER, spring	2				
3-12	1515010050	• ELBOW	1				
	1420010140	• • O-RING	1				
4	X *****	VALVE, solenoid	1				
4-1	0565037410	• PLATE	1				
4-2	1513390027	• TEE	1				
	1420010110	• • O-RING	1				
4-3	1515012040	• ELBOW	1				
	1420010110	• • O-RING	1				
4-4	1100040616	• BOLT	2				
4-5	1141110006	• WASHER	2				
4-6	1140020006	• WASHER, spring	2				
4-7	1901746600	• VALVE, solenoid	1			M	
4-8	1512370011	• TEE	1				
	1420010110	• • O-RING	1				
5	X *****	VALVE, solenoid	1				
5-1	1512370008	• FILTER	1				
	1420010110	• • O-RING	1				
5-2	1515012040	• ELBOW	3				
	1420010110	• • O-RING	1				
5-3	1901752100	• VALVE, proportional control	1			M	
7	X *****	VALVE , stop	1				
7-1	1512373008	• TEE	1				
	1420010240	• • O-RING	1				
7-2	1513350005	• CONNECTOR	1				
	1420010240	• • O-RING	1				
7-3	1901723700	• VALVE, stop	1				
14	1100040820	BOLT	4				
20	1100041020	BOLT	8				
24	1140020008	WASHER, spring	4				
25	1140020010	WASHER, spring	8				
27	1141110008	WASHER	4				
28	1141110010	WASHER	6				
31	X *****	SELECTOR	1				
31-1	0565033601	• PLATE	1				
31-2	1100041020	• BOLT	3				
31-3	1140020010	• WASHER, spring	3				
31-4	1512373005	• TEE	2				
	1420010180	• • O-RING	1				
31-5	1515012040	• ELBOW	1				
	1420010110	• • O-RING	1				
31-6	1515600200	• ADAPTOR	1				
	1420010110	• • O-RING	1				
31-7	0007213010	• BUSHING	2				
	14200210180	* * O-RING	1				
31-8	1901736900	• VALVE, selector	1				
31-9	1901735400	• ADAPTOR	1				
31-10	1515600202	• ADAPTOR	3				
	1420010180	• • O-RING	1				
31-11	1420010180	• O-RING	2				

**VALVE & ACCESSORIES (3/3) (2-piece boom; with 2nd auxiliary lines)**

Item	Part number	Description	Q'ty	Chan.	Serial No.	Serv.	Remarks
		VALVE ASSY, control					
13	1100040816	BOLT	2				
24	1140020008	WASHER, spring	2				
27	1141110008	WASHER	2				
38	X *****	VALVE ASSY, solenoid	1				
38-1	1515100110	· ELBOW	1				
	1420010110	· · O-RING	1				
38-2	1901752100	· VALVE, proportional control	1			M	
38-3	0565033815	· PLATE	1				
38-4	1100040820	· BOLT	2				
38-5	1140020008	· WASHER, spring	2				
38-6	1141110008	· WASHER	2				
38-7	1515012040	· ELBOW	2				
	1420010110	· · O-RING	1				
38-8	1512370012	· ELBOW (with filter)	1				
	1420010110	· · O-RING	1				
39	0565051060	HOSE ASSY	1				19348-52050
39-1	1934852050	* HOSE ASSY	1				
40	0565033830	HOSE ASSY	1				
40-1	1934852050	* HOSE ASSY	1				
41	0565033840	HOSE ASSY	1				
41-1	1934822075	* HOSE ASSY	1				
42	0565033850	HOSE ASSY	1				
42-1	1934822070	* HOSE ASSY	1				
43	1513390043	TEE	1				
	L7d192						

**VALVE & ACCESSORIES (3/3) (2-piece boom; with 2nd & 4th auxiliary lines)**

Item	Part number	Description	Q'ty	Chan.	Serial No.	Serv.	Remarks
		VALVE ASSY, control					
13	1100040816	BOLT	2				
20	1100041020	BOLT	2				
24	1140020008	WASHER, spring	2				
25	1140020010	WASHER, spring	2				
27	1141110008	WASHER	2				
38	X *****	VALVE ASSY, solenoid	1				
38-1	1515100110	• ELBOW	1				
	1420010110	• • O-RING	1				
38-2	1901752100	• VALVE, proportional control	1			M	
38-3	0565033815	• PLATE	1				
38-4	1100040820	• BOLT	2				
38-5	1140020008	• WASHER, spring	2				
38-6	1141110008	• WASHER	2				
38-7	1515012040	• ELBOW	2				
	1420010110	• • O-RING	1				
38-8	1512370012	• ELBOW (with filter)	1				
	1420010110	• • O-RING	1				
39	0565051060	HOSE ASSY	1				19348-52050
39-1	1934852050	* HOSE ASSY	1				
40	0565033830	HOSE ASSY	1				
40-1	1934852050	* HOSE ASSY	1				
41	0565033840	HOSE ASSY	1				
41-1	1934822075	* HOSE ASSY	1				
42	0565033850	HOSE ASSY	1				
42-1	1934822070	* HOSE ASSY	1				
43	1513390043	TEE	1				
44	X *****	VALVE ASSY, solenoid	1				
44-1	1513300016	• ELBOW	2				
	1420010180	• • O-RING	1				
44-2	1515010042	• ELBOW	2				
	1420010180	• • O-RING	1				
44-3	1515010051	• ELBOW	1				
	1420010180	• • O-RING	1				
44-4	1515010517	• ELBOW	1				
	1420010180	• • O-RING	1				
44-5	1515100110	• ELBOW	1				
	1420010110	• • O-RING	1				
44-6	1515600202	• ADAPTOR	2				
	1420010180	• • O-RING	1				
44-7	1901749100	• VALVE, solenoid	1			M	
45	0565051230	BRACKET	1				
46	0565051280	HOSE ASSY	1				18015-41020
46-1	1801541021	* HOSE ASSY	1				
47	0565051290	HOSE ASSY	1				18015-41027
47-1	1801541028	* HOSE ASSY	1				
48	0565051260	HOSE ASSY	1				19348-52030
48-1	1934852030	* HOSE ASSY	1				
49	1110040870	SCREW, cap	2				
50	1140420008	WASHER, spring	2				
51	0565063230	HOSE ASSY	1				
51-1	1801022080	* HOSE ASSY	1				
	L7D222						

**VALVE & ACCESSORIES (3/3) (2-piece boom; with 2nd & 4th auxiliary lines)**

Item	Part number	Description	Q'ty	Chan.	Serial No.	Serv.	Remarks
		VALVE ASSY, control					
13	1100040816	BOLT	2				
20	1100041020	BOLT	2				
24	1140020008	WASHER, spring	2				
25	1140020010	WASHER, spring	2				
27	1141110008	WASHER	2				
38	X *****	VALVE ASSY, solenoid	1				
38-1	1515100110	• ELBOW	1				
	1420010110	• • O-RING	1				
38-2	1901752100	• VALVE, proportional control	1			M	
38-3	0565033815	• PLATE	1				
38-4	1100040820	• BOLT	2				
38-5	1140020008	• WASHER, spring	2				
38-6	1141110008	• WASHER	2				
38-7	1515012040	• ELBOW	2				
	1420010110	• • O-RING	1				
38-8	1512370012	• ELBOW (with filter)	1				
	1420010110	• • O-RING	1				
39	0565051060	HOSE ASSY	1				19348-52050
39-1	1934852050	* HOSE ASSY	1				
40	0565033830	HOSE ASSY	1				
40-1	1934852050	* HOSE ASSY	1				
41	0565033840	HOSE ASSY	1				
41-1	1934822075	* HOSE ASSY	1				
42	0565033850	HOSE ASSY	1				
42-1	1934822070	* HOSE ASSY	1				
43	1513390043	TEE	1				
44	X *****	VALVE ASSY, solenoid	1				
44-1	1513300016	• ELBOW	2				
	1420010180	• • O-RING	1				
44-2	1515010042	• ELBOW	2				
	1420010180	• • O-RING	1				
44-3	1515010051	• ELBOW	1				
	1420010180	• • O-RING	1				
44-4	1515010517	• ELBOW	1				
	1420010180	• • O-RING	1				
44-5	1515100110	• ELBOW	1				
	1420010110	• • O-RING	1				
44-6	1515600202	• ADAPTOR	2				
	1420010180	• • O-RING	1				
44-7	1901749100	• VALVE, solenoid	1			M	
45	0565051230	BRACKET	1				
46	0565051280	HOSE ASSY	1				18015-41020
46-1	1801541021	* HOSE ASSY	1				
47	0565051290	HOSE ASSY	1				18015-41027
47-1	1801541028	* HOSE ASSY	1				
48	0565051260	HOSE ASSY	1				19348-52030
48-1	1934852030	* HOSE ASSY	1				
49	1110040870	SCREW, cap	2				
50	1140420008	WASHER, spring	2				
51	0565063230	HOSE ASSY	1				
51-1	1801022080	* HOSE ASSY	1				
	L7D222						

**VALVE & ACCESSORIES (3/3) (2-piece boom; with high pressure 3rd & 4th auxiliary lines)**

Item	Part number	Description	Q'ty	Chan.	Serial No.	Serv.	Remarks
		VALVE ASSY, control					
13	1100040816	BOLT	2				
20	1100041020	BOLT	2				
24	1140020008	WASHER, spring	2				
25	1140020010	WASHER, spring	2				
27	1141110008	WASHER	2				
38	X *****	VALVE ASSY, solenoid	1				
38-1	1515100110	• ELBOW	1				
	1420010110	• • O-RING	1				
38-2	1901752100	• VALVE, proportional control	1			M	
38-3	0565033815	• PLATE	1				
38-4	1100040820	• BOLT	2				
38-5	1140020008	• WASHER, spring	2				
38-6	1141110008	• WASHER	2				
38-7	1515012040	• ELBOW	2				
	1420010110	• • O-RING	1				
38-8	1512370012	• ELBOW (with filter)	1				
	1420010110	• • O-RING	1				
39	0565051060	HOSE ASSY	1				19348-52050
39-1	1934852050	* HOSE ASSY	1				
40	0565033830	HOSE ASSY	1				
40-1	1934852050	* HOSE ASSY	1				
41	0565033840	HOSE ASSY	1				
41-1	1934822075	* HOSE ASSY	1				
42	0565033850	HOSE ASSY	1				
42-1	1934822070	* HOSE ASSY	1				
43	1513390043	TEE	1				
44	X *****	VALVE ASSY, solenoid	1				
44-1	1513300016	• ELBOW	2				
	1420010180	• • O-RING	1				
44-2	1515010042	• ELBOW	2				
	1420010180	• • O-RING	1				
44-3	1515010051	• ELBOW	1				
	1420010180	• • O-RING	1				
44-4	1515010517	• ELBOW	1				
	1420010180	• • O-RING	1				
44-5	1515100110	• ELBOW	1				
	1420010110	• • O-RING	1				
44-6	1515600202	• ADAPTOR	2				
	1420010180	• • O-RING	1				
44-7	1901749100	• VALVE, solenoid	1			M	
45	0565051230	BRACKET	1				
46	0565051280	HOSE ASSY	1				18015-41020
46-1	1801541021	* HOSE ASSY	1				
48	0565051260	HOSE ASSY	1				19348-52030
48-1	1934852030	* HOSE ASSY	1				
49	1110040870	SCREW, cap	2				
50	1140420008	WASHER, spring	2				
51	0565063230	HOSE ASSY	1				
51-1	1801022080	* HOSE ASSY	1				

L7d252

**VALVE & ACCESSORIES (3/3) (2-piece boom; with high pressure 3rd & 4th auxiliary lines)**

Item	Part number	Description	Q'ty	Chan.	Serial No.	Serv.	Remarks
		VALVE ASSY, control					
13	1100040816	BOLT	2				
20	1100041020	BOLT	2				
24	1140020008	WASHER, spring	2				
25	1140020010	WASHER, spring	2				
27	1141110008	WASHER	2				
38	X *****	VALVE ASSY, solenoid	1				
38-1	1515100110	• ELBOW	1				
	1420010110	• • O-RING	1				
38-2	1901752100	• VALVE, proportional control	1				M
38-3	0565033815	• PLATE	1				
38-4	1100040820	• BOLT	2				
38-5	1140020008	• WASHER, spring	2				
38-6	1141110008	• WASHER	2				
38-7	1515012040	• ELBOW	2				
	1420010110	• • O-RING	1				
38-8	1512370012	• ELBOW (with filter)	1				
	1420010110	• • O-RING	1				
39	0565051060	HOSE ASSY	1				19348-52050
39-1	1934852050	* HOSE ASSY	1				
40	0565033830	HOSE ASSY	1				
40-1	1934852050	* HOSE ASSY	1				
41	0565033840	HOSE ASSY	1				
41-1	1934822075	* HOSE ASSY	1				
42	0565033850	HOSE ASSY	1				
42-1	1934822070	* HOSE ASSY	1				
43	1513390043	TEE	1				
44	X *****	VALVE ASSY, solenoid	1				
44-1	1513300016	• ELBOW	2				
	1420010180	• • O-RING	1				
44-2	1515010042	• ELBOW	2				
	1420010180	• • O-RING	1				
44-3	1515010051	• ELBOW	1				
	1420010180	• • O-RING	1				
44-4	1515010517	• ELBOW	1				
	1420010180	• • O-RING	1				
44-5	1515100110	• ELBOW	1				
	1420010110	• • O-RING	1				
44-6	1515600202	• ADAPTOR	2				
	1420010180	• • O-RING	1				
44-7	1901749100	• VALVE, solenoid	1				M
45	0565051230	BRACKET	1				
46	0565051280	HOSE ASSY	1				18015-41020
46-1	1801541021	* HOSE ASSY	1				
48	0565051260	HOSE ASSY	1				19348-52030
48-1	1934852030	* HOSE ASSY	1				
49	1110040870	SCREW, cap	2				
50	1140420008	WASHER, spring	2				
51	0565063230	HOSE ASSY	1				
51-1	1801022080	* HOSE ASSY	1				

L7d252

**EMERGENCY SHUT-OFF VALVE (arm; with pilot)**

Item	Part number	Description	Q'ty	Chan.	Serial No.	Serv.	Remarks
0		VALVE ASSY, emergency shut-off	1				
1	1901743100	• VALVE, shut off	1				
2	1900085100	• CYLINDER, arm	1				
3	0565041010	• PIPE	1				
4	0565041020	• PIPE	2				
5	0565041030	• CLAMP	1				
6	0565041040	• CLAMP	1				
7	0565041540	• HOSE ASSY	1				18010-52330
7-1	1801052330	* HOSE ASSY	1				
8	0565041550	• HOSE ASSY	1				18010-52330
8-1	1801052330	* HOSE ASSY	1				
9	0565041070	• HOSE ASSY	1				18010-22180
9-1	0565041070	* HOSE ASSY	1				
10	0565041080	• HOSE ASSY	1				18010-22170
10-1	1801022170	* HOSE ASSY	1				
11	0007236041	• ADAPTOR	1				
	1420010180	• • O-RING	1				
13	1534000012	• CLAMP	2				
15	1100040645	• BOLT	2				
17	1100040865	• BOLT	2				
18	1100041018	• BOLT	1				
19	1100041035	• BOLT	2				
20	1140020006	• WASHER, spring	2				
21	1140020008	• WASHER, spring	2				
22	1140020010	• WASHER, spring	2				
23	1141110006	• WASHER	2				
24	1141110010	• WASHER	3				
25	1512370011	• TEE	1				
	1420010110	• • O-RING	1				
26	1515012040	• ELBOW	1				
	1420010110	• • O-RING	1				
27	1515600200	• ADAPTOR	1				
	1420010110	• • O-RING	1				
28	1515600202	• ADAPTOR	1				
	1420010180	• • O-RING	1				
29	1652201005	• BAND	2				
30	1652201008	• BAND	8				

L7d291

PIPING; UPPER (3/3)

Item	Part number	Description	Q'ty	Chan.	Serial No.	Serv.	Remarks
		PIPING ASSY, upper					
1	0567026010	HOSE ASSY	1			M	4X840
2	0567026020	HOSE ASSY	1			M	4X860
3	0567025030	HOSE ASSY	1			M	18025-60140
3-1	1802560135	* HOSE ASSY	1				
4	0567024040	HOSE ASSY	1				18025-41090
4-1	1802541090	* HOSE ASSY	1				
5	0567024050	HOSE ASSY	1				18025-41095
5-1	1802541095	* HOSE ASSY	1				
6	0567024060	HOSE ASSY	1				18025-41300
6-1	1802541300	* HOSE ASSY	1				
7	0567024070	HOSE ASSY	1				18025-41305
7-1	1802541305	* HOSE ASSY	1				
8	0567024080	HOSE ASSY	1				
9	0567024090	HOSE ASSY	1				
10	0567024100	HOSE ASSY	1				18025-41180
10-1	1802541180	* HOSE ASSY	1				
11	0567024110	HOSE ASSY	1				18025-41185
11-1	1802541185	* HOSE ASSY	1				
12	0567024120	HOSE ASSY	1				18025-41325
12-1	1802541325	* HOSE ASSY	1				
13	0567024130	HOSE ASSY	1				18025-41330
13-1	1802541330	* HOSE ASSY	1				
14	0567024140	HOSE ASSY	1				
15	0567024150	HOSE ASSY	1				
16	0567024160	HOSE ASSY	1				18025-41080
16-1	1802541080	* HOSE ASSY	1				
17	0567024170	HOSE ASSY	1				18025-41085
17-1	1802541085	* HOSE ASSY	1				
18	0567024180	HOSE ASSY	1				18025-20076
18-1	1802520076	* HOSE ASSY	1				
19	0567024190	HOSE ASSY	1				18025-20076
19-1	1802520076	* HOSE ASSY	1				
20	0567024200	HOSE ASSY	1				18025-40064
20-1	1802540064	* HOSE ASSY	1				
21	0567026210	HOSE ASSY	1				18025-40054
21-1	1802540054	* HOSE ASSY	1				
22	0567024220	HOSE ASSY	1				
23	0567038030	HOSE ASSY	1				
24	0567038040	HOSE ASSY	1				
25	0567024250	HOSE ASSY	1				
26	0567024260	HOSE ASSY	1				
	L7d332						

HYDRAULIC TANK						
Item	Part number	Description	Q'ty	Chan.	Serial No.	Serv. Remarks
		TANK ASSY, hydraulic				
		TANK ASSY, hydraulic (2-piece boom)				
		TANK ASSY, HYDRAULIC (2-PIECE BOOM, 4TH AUX LINE)				
		TANK ASSY, HYDRAULIC (4TH AUX LINE)				
1	0568038110	TANK, hydraulic	1			M
3	1552002700	BREATHER, air	1			M
3-1	1552002715	• ELEMENT	1			M
3-2	1420010300	• O-RING	1			M
4	0568038340	COVER	1			M
5	0568014500	COVER	1			
6	0007000031	SPRING	1			
7	1551102600	FILTER	1			
8	1551100300	VALVE	1			
9	1550216490	FILTER	1			
10	1420101250	O-RING	1			
11	1420101600	O-RING	1			
12	1100041020	BOLT	12			
13	1140020010	WASHER, spring	18			
14	1501750010	PLUG	1			
	1420010290	• O-RING	1			
15	1553020685	GAUGE	1			
16	1100041030	BOLT	4			
17	0003600243	WASHER	4			M
18	1141110010	WASHER	12			
19	1100041035	BOLT	2			
21	0003600025	WASHER	2			
24	1501750002	PLUG	2			mono boom
	1501750002	PLUG	1			
	1420010110	• O-RING	1			
27	0568037535	SHIM	AR			t=1.0mm
28	1515600202	ADAPTOR	1			
	1420010180	• O-RING	1			
29	1540141220	VALVE, check	1			
30	1221010050	RING, snap	1			
31	1515012040	ELBOW	1			
	1420010110	• O-RING	1			
32	1515010041	ELBOW	1			
	1420010140	• O-RING	1			
33	1515600200	ADAPTOR	2			
	1515600200	ADAPTOR	3			2-piece boom
	1515600200	ADAPTOR	4			
	1420010110	• O-RING	1			
34	1515600201	ADAPTOR	3			
	1420010140	• O-RING	1			
35	0568037536	SHIM	AR			t=2.3mm
36	0568037537	SHIM	AR			t=3.2mm
37	1515600576	ADAPTOR	2			
	1420010140	• O-RING	1			
38	0323054001	SHIM	AR			t=1.0mm
39	0323054002	SHIM	AR			t=2.3mm
40	0323054003	SHIM	AR			t=3.2mm
	L7d392					

CLICK HERE TO **DOWNLOAD** THE COMPLETE MANUAL

- Thank you very much for reading the preview of the manual.
- You can download the complete manual from: [www.heydownloads.com](http://www.heydownloads.com) by clicking the link below



- Please note: If there is no response to CLICKING the link, please download this PDF first and then click on it.

CLICK HERE TO **DOWNLOAD** THE COMPLETE MANUAL

COVER (2/7) (with air-conditioner)							
Item	Part number	Description	Q'ty	Chan.	Serial No.	Serv.	Remarks
		COVER ASSY (with air conditioner)					
		COVER ASSY (for HE service, with air conditioner)					
5	0568261250	COVER, front	1			M	see page (7/7)
7	0568254150	COVER ASSY	1				
7-1	0568254160	· COVER	1				
7-2	0568254170	· COVER	1				
7-3	0568222800	· SHEET	1				
7-4	0568254180	· SHEET	2				
7-5	1100560612	· BOLT	2				
8	0568243670	COVER	1				
9	0568262210	COVER ASSY, under	1			M	
9-1	0568262220	· COVER	1			M	
9-2	1654520050	· RUBBER	1				sold by the meter
9-3	1654520041	· RUBBER	1			M	sold by the meter
9-4	1654619021	· SEAL	3				sold by the meter
9-5	1654619025	· SEAL	1			M	sold by the meter
9-6	1654619035	· SEAL	1				sold by the meter
9-7	1654619010	· SEAL	1				sold by the meter
10	0564634410	COVER ASSY	1			M	
11	0568249030	HANDRAIL	1				
12	0568121200	BOX, tool	1				
13	0568243950	PLATE	1				
19	0568242780	SEAL	1				
23	0568243790	SEAL	1				
33	1100041020	BOLT	7				
35	1100041025	BOLT	19				
36	1100561020	BOLT, sems	9				
37	1100041035	BOLT	2				
38	1140020010	WASHER, spring	41				
39	1141110010	WASHER	33				
40	0003600025	WASHER	2				
45	0568222700	SHEET	1				
46	1100041040	BOLT	2				
47	1100041030	BOLT	22				
50	0568251020	COVER	1			M	
67	0568228730	COVER	1				
68	0568249040	HANDRAIL	1				
69	1101041235	BOLT	1				
70	1140020012	WASHER, spring	1				
71	0003610003	WASHER	6				
	L7e031						

**COVER (7/7) (front cover)**

Item	Part number	Description	Q'ty	Chan.	Serial No.	Serv.	Remarks
0-5	<b>0568261250</b>	COVER ASSY, front	1			M	
1	<b>0568243400</b>	· COVER	1				
2	<b>0568243410</b>	· COVER	1				
3	<b>0568243480</b>	· SEAL	1				
4	<b>1653602395</b>	· LOCK	1				
4-1	<b>1700100019</b>	· KEY	1				
5	<b>1703006200</b>	· LAMP	1			M	
5-1	<b>1703006205</b>	· · BULB	1			M	
6	<b>0568243505</b>	· PLATE	1				
7	<b>1100040820</b>	· BOLT	5				
8	<b>1140020008</b>	· WASHER, spring	5				
9	<b>1141110008</b>	· WASHER	5				
11	<b>0378206310</b>	· PLATE	1				
12	<b>0880841210</b>	· RUBBER	1				
13	<b>1654613006</b>	· PACKING	1				sold by the meter
14	<b>1141110010</b>	· WASHER	2				
15	<b>1224010009</b>	· E-RING	2				
	<b>L7e081</b>						

CAB (1/4)							
Item	Part number	Description	Q'ty	Chan.	Serial No.	Serv.	Remarks
0	0568654600	CAB	1			M	
	0568654700	CAB (for air con., FOPS, BEACON)	1			M	
1	X *****	• CAB	1				
2	0568654310	• SASH, front	1			M	see page (3/4)
3	0568629200	• DOOR	1				see page (4/4)
7	0568644500	• SASH ASSY	1				
7-1	0568644520	• • GLASS	1				
7-2	0568644530	• • GLASS	1				
7-3	0338630650	• • LOCK ASSY	2				
7-4	1654008200	• • STRIP, weather	1				
7-5	1122420410	• • SCREW	4				
8	0378601600	• GLASS ASSY, front	1				
8-1	0378601610	• • GLASS	1				
8-2	1654010900	• • RETAINER	2				
8-3	1654011100	• • PACKING	4				
8-4	1654011000	• • PLATE	2				
8-5	1122410412	• • SCREW	4				
9	0568639530	• GLASS	1				
10	0568639540	• GLASS	1				
11	0568639550	• GLASS	1				
12	0358605300	• GLASS	1				
17	0568626600	• GROMMET	1				
18	0568654320	• ABSORBENT, noise	1			M	for air con., FOPS
19	0568641110	• ABSORBENT, noise	4				
	0568648570	• ABSORBENT, noise	1				for air con., FOPS
20	0568654330	• ABSORBENT, noise	1			M	
21	0568634520	• ABSORBENT, noise	1				
22	0568634100	• SEAL	1				
27	0438601770	• SPACER	7				
34	1653303010	CAP	6				
35	1651101042	• RUBBER	2				
41	1654262150	• H-RUBBER	1				sold by the meter
42	1654231325	• H-RUBBER	1				sold by the meter
43	1654615216	• DAM	1				sold by the meter
44	1654605440	• RUBBER	1				sold by the meter
45	1654605341	• RUBBER	1				sold by the meter
47	1654615235	• DAM	1				sold by the meter
49	1653930375	• RUBBER	1				sold by the meter
50	1654605033	• RUBBER	2				sold by the meter
52	1653916019	• RUBBER	2				sold by the meter
54	1120991025	• SCREW	2				
55	1100290820	• BOLT	6				
64	1140090010	• WASHER, spring	8				
68	1141190010	• WASHER	2				
83	1653916222	• TRIM	1				sold by the meter
98	1654011725	• CAP	24				
100	0568655140	• ABSORBENT, noise	1			M	for air con., FOPS
101	0568649530	• ABSORBENT, noise	1				for air con., FOPS

L7e150

**HANDRAIL**

Item	Part number	Description	Q'ty	Chan.	Serial No.	Serv.	Remarks
1	<b>0568625500</b>	HANDRAIL ASSY	1				
	<b>L3e380</b>	HANDRAIL	1				

Item	Part number	Description	HEATER Q'ty	Chan.	Serial No.	Serv.	Remarks
		HEATER ASSY					
1	0564525400	COVER	1				
3	0564525500	DAMPER ASSY	1				
3-1	0564525510	• DAMPER	1				
3-2	0564519320	• SPONGE	1				
3-3	0564520220	• SPONGE	1				
4	0564525420	BRACKET	1				
6	0564525200	PANEL	1				
7	0564525440	COVER	1				
11	0564519550	FILTER	1				
12	0564525300	LEVER	2				
13	0564612530	CLAMP	4				
18	0337017300	GUARD	1				
19	1911503000	COVER	1				
20	0564525560	DAMPER ASSY	1				
20-1	0564525570	• DAMPER	1				
20-2	0564525563	• SPONGE	4				
21	1654606010	SEAL	1				sold by the meter
24	1654613034	PACKING	1				sold by the meter
25	1567526540	HOSE	1				
26	1911521800	HOSE	2			M	sold by the meter
27	1531335100	PROTECTOR	2				sold by the meter
28	0097210300	GUARD	1				
29	1652231100	BAND	1				
30	1652030007	BUSHING	1				
32	1652060028	GROMMET	1				
33	1911508080	HEATER	1			M	
34	1700000011	SWITCH, heater	1				
35	0007210028	BUSHING	1			M	
36	0007213075	BUSHING	1			M	
37	1911502100	VALVE	1				
38	0007224009	ADAPTOR	1				
39	1911500500	CLAMP	4				
40	1513300013	ELBOW	1			M	
	1420010080	• O-RING	1				
41	1533001070	CLAMP	2				
42	1652201007	BAND	2				
43	0007300035	CLAMP	1				
44	0564533210	WIRING HARNESS ASSY	1				
44-1	1730500008	* DIODE (3A YELLOW)	3				
52	1100040820	BOLT	2				
53	1100040812	BOLT	3				
55	1120530408	SCREW	3				
56	1120590510	SCREW	6				
58	1100040616	BOLT	5				
59	1100041020	BOLT	4				
60	1130090005	NUT	2				
61	1140020008	WASHER, spring	5				
62	1140020004	WASHER, spring	4				
63	1140090005	WASHER, spring	4				
64	1140020006	WASHER, spring	5				
65	1140020010	WASHER, spring	4				
66	1141110006	WASHER	6				
67	1141110010	WASHER	4				
68	1141190005	WASHER	7				
69	1141110008	WASHER	5				
71	0564532000	PANEL ASSY	1				
71-1	0564525200	* PANEL	1				
71-2	0564525450	* WIRE	1				
71-3	0564525460	* WIRE	1				
71-4	0564525300	* LEVER	2				
71-5	0564612530	* CLAMP	2				
71-6	0564612550	* KNOB	2				
71-7	1652051200	* GROMMET	1				
71-8	1700000011	* SWITCH , HEALER	1				
71-9	1652540014	* SPACER	2				
71-10	1100040516	* BOLT	2				
71-11	1100230408	* BOLT	2				

**AIR CONDITIONER (3/4) (air-conditioner unit)**

Item	Part number	Description	Q'ty	Chan.	Serial No.	Serv.	Remarks
0-3	<b>0564634600</b>	AIR CONDITIONER UNIT ASSY	1			M	
8	<b>1911508512</b>	• HOSE	1			M	
9	<b>0097210300</b>	• GUARD	1				
10	<b>1533001070</b>	• BAND	2				
11	<b>1652261410</b>	• BAND	4				
13	<b>1911512060</b>	• UNIT ASSY, air con.	1			M	see page (4/4)
14	<b>1911505640</b>	• WIRE	2				
15	<b>1911512010</b>	• HARNESS, wiring	1			M	
15-1	<b>1911506041</b>	• • RELAY	2				
16	<b>1911505670</b>	• BAND	6				
17	<b>1911505690</b>	• VALVE	1				
18	<b>1911505710</b>	• TUBE ASSY	2				
19	<b>1100040512</b>	• BOLT	3				
20	<b>0564634310</b>	• HARNESS, wiring	1			M	
21	<b>0564634610</b>	• COVER	1			M	
22	<b>1911505760</b>	• PANEL ASSY	1				see page (4/4)
26	<b>1120590510</b>	• SCREW	4				
27	<b>1120590512</b>	• SCREW	4				
28	<b>1100040616</b>	• BOLT	10				
33	<b>1140090005</b>	• WASHER, spring	7				
34	<b>1140020006</b>	• WASHER, spring	12				
38	<b>1141190005</b>	• WASHER	7				
40	<b>1911508552</b>	• HOSE	1			M	
41	<b>1911508578</b>	• HOSE	1			M	
42	<b>1911508552</b>	• HOSE	1			M	
43	<b>1911500500</b>	• BAND	4				
44	<b>1911501840</b>	• HOSE	1				sold by the meter
46	<b>1911506060</b>	• LOUVER	3				
47	<b>0394612710</b>	• BRACKET	1			M	
48	<b>1653916026</b>	• TRIM	1				sold by the meter
49	<b>1911506711</b>	• ADAPTOR	3			M	
50	<b>1911505723</b>	• LOUVER	1			M	
51	<b>0003600090</b>	• WASHER	10				
52	<b>1130040006</b>	• NUT	2				

**L7e212**

**AIR CONDITIONER (4/4)**

Item	Part number	Description	Q'ty	Chan.	Serial No.	Serv.	Remarks
0-4	<b>1911512060</b>	UNIT ASSY, air con.	1			M	
1	<b>1911506711</b>	▪ ADAPTOR	4			M	
2	<b>1911512062</b>	▪ EVAPORATOR ASSY	1			M	
3	<b>1911512063</b>	▪ CORE ASSY, heater	1			M	
4	<b>1911512064</b>	▪ FILTER	1			M	
5	<b>1911512065</b>	▪ MOTOR ASSY, blower	1			M	
6	<b>1911505603</b>	▪ O-RING	1			M	
7	<b>1911505602</b>	▪ O-RING	1			M	
8	<b>1911512068</b>	▪ VALVE, expansion	1			M	
9	<b>1911505421</b>	▪ THERMOSTAT	1			M	
0-5	<b>1911505760</b>	PANEL ASSY	1				
10	<b>1911505767</b>	▪ SWTCH, air con.	1				
11	<b>1911505763</b>	▪ KNOB	3				
12	<b>1911505761</b>	▪ CONVERTER, cable control	1				
13	<b>1911505762</b>	▪ CONVERTER, cable control	1				
14	<b>1911505768</b>	▪ ROTARY SWITCH, 3-speed	1				
	<b>L7E221</b>						

**BOOM (2/2) (2-piece boom)**

Item	Part number	Description	Q'ty	Chan.	Serial No.	Serv.	Remarks
		BOOM ASSY					
5	0566047040	PIPE (L.H.)	1				
6	0566047050	PIPE (R.H.)	1				
11	1534000022	CLAMP	8				
12	1934802135	HOSE ASSY	1				
13	0566027050	PIPE	2				
23	1802743090	HOSE ASSY	2				
27	1140020010	WASHER, spring	12				
31	1511050002	ADAPTOR	1				
49	0566027430	PIPE (R.H.)	1				
50	0566027440	PIPE (L.H.)	1				
52	0566027450	PIPE	4				
55	1652533016	CAP	24				
56	1652533017	CAP	18				
59	1560001675	FITTING, grease	1				
60	1802740100	HOSE ASSY	2				
61	1802740094	HOSE ASSY	2				
62	1802740110	HOSE ASSY	2				
70	1534100218	CLAMP	4				
72	1100061045	BOLT	12				M
	L7F032						

**BOOM (1/2) (2-piece boom; with shut-off valve)**

Item	Part number	Description	Q'ty	Chan.	Serial No.	Serv.	Remarks
72	1100061045	BOLT	1			M	
73	1100041025	BOLT	4				
74	0566021970	BAND	1				
75	0566021980	BAND	2				
76	1100041035	BOLT	4				
78	1420010240	O-RING	1				
79	0003600105	SHIM	AR				t=0.2mm
80	0003600106	SHIM	AR				t=0.5mm
81	0003600101	SHIM	AR				t=0.2mm
82	0003600102	SHIM	AR				t=0.5mm
83	0003600199	SHIM	AR				t=0.2mm
84	0003600217	SHIM	AR				t=0.5mm
85	0003600224	SHIM	AR				t=0.2mm
86	0003600225	SHIM	AR				t=0.5mm
87	0003600226	SHIM	AR				t=1.0mm
88	0003600214	SHIM	AR				t=0.2mm
89	0003600215	SHIM	AR				t=0.5mm
90	0003600216	SHIM	AR				t=1.0mm
91	1652533021	CAP	2				
92	0566048080	WASHER	1				
93	1132130045	NUT	1				
94	1210010890	PIN, split	1				
	L7F041						

ARM SN 1753001-30901

Item	Part number	Description	Q'ty	Chan.	Serial No.	Serv.	Remarks
		ARM SN 1753001-30901					
		ARM ASSY					
		ARM ASSY, LONG					
		ARM ASSY, MIDDLE					
		ARM ASSY, MIDDLE WITH 3RD & 4TH AUX					
1	0566143100	ARM SUB ASSY	1				
	0566145100	ARM SUB ASSY, LONG 2130 MM	1				
	0566144100	ARM SUB ASSY, MIDDLE 1960 mm	1				
1-19	0002400025	* BUSHING	4				
1-20	0002400036	* BUSHING	2				
1-21	1432200050	* DUST SEAL	4				
1-22	1432200060	* DUST SEAL	2				
2	0566103900	BUCKET LINK	1				
2-2	0002400025	* BUSHING	2				
2-3	0002100028	* BUSHING	2				
2-4	1432200050	* DUST SEAL	6				
3	0566117500	RH GUIDE LINK	1				
	0566142710	RH GUIDE LINK (MIDDLE 3RD & 4TH AUX)	1				
4	0566117600	LH GUIDE LINK	1				
	0566142720	LH GUID LINK (MIDDLE 3RD & 4TH AUX)	1				
5	0011595001	PIN	2				
6	0011025001	PIN	1				
7	0001735001	PIN	1				
8	0001605150	PIN	1				
9	0001607160	PIN	1				
10	1100041295	BOLT	5				
11	1100141210	BOLT	1				
12	1130040012	NUT	12				
13	1560001000	GREASE FITTING	3				
14	1560001675	GREASE FITTING	2				
15	1513300015	ELBOW	1				
	1420010180	* O-RING	1				
16	1432900048	O-RING	4				
17	1900100800	BUCKET CYLINDER	1				
18	1802643092	HOSE ASSY	2				
	1802643126	HOSE ASSY FOR LONG ARM	2				
	1802643109	HOSE ASSY FOR MIDDLE ARM	2				
19	0003600154	SHIM					
20	0003600155	SHIM					
21	0003600157	SHIM					
25	1652533016	CAP	12				
26	1110040840	CAP SCREW	2				
27	1110040855	CAP SCREW	2				
28	1420010220	O-RING	1				
29	0566017380	ELBOW	1				
31	0003600095	SHIM					
32	0003600094	SHIM					
35	0003600061	SHIM					
36	0003600060	SHIM					
	L7F250						

**TERESCOPIC ARM (2/2)**

Item	Part number	Description	Q'ty	Chan.	Serial No.	Serv.	Remarks
0	<b>9TB070000</b>	ARM SUB ASSY	1				
1	<b>P701167</b>	• PIN	1				
2	<b>H50607</b>	• RING, snap	4				
3	<b>R725410</b>	• CYLINDER, telescopic	1				
4	<b>P701165</b>	• PIN	1				
5	<b>9TB070200</b>	• PLATE	1				
6	<b>9TB070010</b>	• COLLAR	1				
7	<b>H30667</b>	• BOLT	2				
8	<b>H30805</b>	• WASHER	16				
9	<b>H30617</b>	• WASHER, spring	2				
10	<b>H30630</b>	• NUT	2				
11	<b>728030</b>	• COLLAR	1				
12	<b>H910552</b>	• BRACKET	1				
13	<b>9TB070100</b>	• HOUSING	1				
14	<b>0002400036</b>	• BUSHING	2				
15	<b>1432200060</b>	• SEAL, dust	2				
16	<b>0002400025</b>	• BUSHING	4				
17	<b>1432200050</b>	• SEAL, dust	4				
18	<b>H50601</b>	• NIPPLE, grease	2				
19	<b>M302417</b>	• STRIP, side	4				
20	<b>M302432</b>	• STRIP, top	2				
21	<b>M302425</b>	• STRIP, bottom	1				
	<b>L3f041</b>						

**AUXILIARY LINE (2-piece boom)**

Item	Part number	Description	Q'ty	Chan.	Serial No.	Serv.	Remarks
0	<b>0567347400</b>	LINE ASSY, auxiliary					
1	<b>0567331100</b>	▪ PIPE	2				
2	<b>0567347410</b>	▪ PIPE (R.H.)	1				
3	<b>0567347420</b>	▪ PIPE (L.H.)	1				
4	<b>1100040825</b>	▪ BOLT	4				
5	<b>1100061050</b>	▪ BOLT	8				
6	<b>1140020008</b>	▪ WASHER, spring	4				
7	<b>1515100113</b>	▪ ELBOW	2				
	<b>1420010240</b>	▪ ▪ O-RING	1				
8	<b>1515600503</b>	▪ PLUG	2				
	<b>1420010240</b>	▪ ▪ O-RING	1				
9	<b>1534100273</b>	▪ CLAMP	8				
10	<b>1901723700</b>	▪ VALVE , stop	2				
11	<b>1805150158</b>	▪ HOSE ASSY	2				
12	<b>0567335012</b>	▪ HOSE ASSY	2				4X920
13	<b>1140020010</b>	▪ WASHER, spring	8				
	<b>L7f101</b>						

**3RD AUXILIARY LINE (high pressure type; with 4th auxiliary lines)**

Item	Part number	Description	Q'ty	Chan.	Serial No.	Serv.	Remarks
		LINE ASSY, 3rd aux.	1			M	
		LINE ASSY, 3rd aux. (for middle arm)	1			M	
		LINE ASSY, 3rd aux. (for long arm)	1			M	
1	0567346410	• PIPE (R.H.)	1				
2	0567346420	• PIPE (L.H.)	1				
5	0567336050	• HOSE ASSY	1				18010-52066
5-1	1801052066	** ** hose assy	1				
6	0567336060	• HOSE ASSY	1				
7	0567339570	• CLAMP	8				
8	1100040816	• BOLT	12				
9	1140020008	• WASHER, spring	14				
12	1513390015	• TEE	1				
13	1512370011	• TEE	1				
	1420010110	• • O-RING	1				
14	1100040825	• BOLT	2				
15	1531335070	• PROTECTOR	1				sold by the meter
16	0567346430	• ADAPTOR	1				
17	0567346440	• ADAPTOR	1				
19	1501750002	• PLUG	6				
	1420010110	• • O-RING	1				
20	1515100110	• ELBOW	2				
	1420010110	• • O-RING	1				
21	X *****	• VALVE ASSY, solenoid	1				
21-1	0007203074	• • ADAPTOR	1				
	1420010180	• • • O-RING	1				
21-2	0007213010	• • BUSHING	2				
	1420010180	* * * O-RING	1				
21-3	0567339740	• • PLATE	1				
21-4	0575003630	• • ELBOW	1				
21-5	1100040890	• • BOLT	3				
21-6	1140020008	• • WASHER, spring	3				
21-7	1141110008	• • WASHER	3				
21-8	1420010180	• • O-RING	3				
21-9	1513300016	• • ELBOW	2				
	1420010110	• • • O-RING	1				
21-10	1515010042	• • ELBOW	1				
	1420010180	• • • O-RING	1				
21-11	1515012040	• • ELBOW	1				
	1420010180	• • • O-RING	1				
21-12	1515600200	• • ADAPTOR	2				
	1420010110	• • • O-RING	1				
21-13	1700100065	• • SWITCH , pressure	1				
	1420010110	• • • O-RING	1				
21-14	1901751600	• • VALVE, solenoid	1			M	12V
22	0567349320	• HOSE ASSY	1			M	18050-41066
37	1652201005	• BAND	2				
38	1805100102	• HOSE ASSY	1				
	1805100120	• HOSE ASSY	1				for middle arm
	1805100135	• HOSE ASSY	1				for long arm
40	0567348320	• HOSE ASSY	1				18010-22300
40-1	1801022300	* * HOSE ASSY	1				
41	0567348330	• HOSE ASSY	1				18050-00305
41-1	1805000305	* * HOSE ASSY	1				
42	0567348340	• HOSE ASSY	1				18052-41082
42-1	1805241082	* * HOSE ASSY	1				
	L7f152						

**4TH AUXILIARY LINE (2-piece boom)**

Item	Part number	Description	Q'ty	Chan.	Serial No.	Serv.	Remarks
		LINE ASSY, 4th aux.	1			M	
1	0567348010	• PIPE (R.H.)	1				
2	0567348020	• PIPE (L.H.)	1				
3	0567348030	• PIPE	2				
4	0567348040	• BLOCK	1				
5	0567348050	• CLAMP	1				
6	0567348060	• BRACKET	1				
7	0567348070	• HOSE ASSY	1				
8	0567348080	• HOSE ASSY	1				
9	0567346750	• HOSE ASSY	1				18015-41335
9-1	1801541335	* * HOSE ASSY	1				
10	0567346760	• HOSE ASSY	1				18015-41330
10-1	1801541330	* * HOSE ASSY	1				
11	0567339570	• CLAMP	3				
12	0563900100	• PLATE	1				
13	1534000015	• CLAMP	5				
14	1805100135	• HOSE ASSY	2				
15	1805207071	• HOSE ASSY	2				
16	1100040816	• BOLT	3				
17	1100040835	• BOLT	5				
18	1100040860	• BOLT	2			M	
19	1111141200	• SCREW, cap	2				
20	1140020008	• WASHER, spring	10				
21	1515100110	• ELBOW	2				
	1420010110	• • O-RING	1				
22	1100041020	• BOLT	1				
23	1140020010	• WASHER	1				
24	1141110008	• WASHER	2				
25	1141110010	• WASHER	1				

**L7f201**

Item	Part number	Description	DECAL	Q'ty	Chan.	Serial No.	Serv.	Remarks
47	<b>0569353810</b>	• DECAL (English)		1				
	<b>0569354010</b>	• DECAL (French)		1				
	<b>0569354310</b>	• DECAL (Spanish)		1				
48	<b>0339376240</b>	• DECAL (English)		1				
	<b>0339379440</b>	• DECAL (French)		1				
	<b>0339379640</b>	• DECAL (Spanish)		1				
49	X *****	• DECAL		1				
	<b>L7g012</b>							

**DECAL (4TH AUXILIARY LINE)**

Item	Part number	Description	Q'ty	Chan.	Serial No.	Serv.	Remarks
0	<b>0569364400</b>	DECAL SET	1				
	<b>0569364500</b>	DECAL SET (2 PIECE BOOM)	1				
1	<b>0008500073</b>	DECAL	2				
	<b>L7G110</b>						

**CONTROL VALVE 2**

Item	Part number	Description	Q'ty	Chan.	Serial No.	Serv.	Remarks
0	<b>1901043800</b>	VALVE ASSY, control	1				
1	<b>1901034907</b>	▪ NUT	6				
2	<b>1901039007</b>	▪ BOLT	3				
3	<b>1901039003</b>	▪ HOUSING, inlet	1				
4	<b>1901039002</b>	▪ HOUSING, middle	1				
5	<b>1901039017</b>	▪ BLOCK ASSY, NO.1	1				blade
6	<b>1901039014</b>	▪ BLOCK ASSY, NO.2	1				slew
7	<b>1901039019</b>	▪ BLOCK ASSY, NO.3	1				service
8	<b>1901043808</b>	▪ HOUSING, outlet	1				
9	<b>1901039124</b>	▪ VALVE ASSY	1				relief
10	<b>1901025482</b>	▪ ▪ O-RING	1				
11	<b>1901031922</b>	▪ VALVE ASSY	1				over load
12	<b>1901025482</b>	▪ ▪ O-RING	1				
13	<b>1901035623</b>	▪ VALVE ASSY	2				over load
14	<b>1901025482</b>	▪ ▪ O-RING	1				
	<b>L7h010</b>						

**BLOCK ASSY; No. 2**

Item	Part number	Description	Q'ty	Chan.	Serial No.	Serv.	Remarks
0	<b>1901039014</b>	BLOCK ASSY, NO.2	1				slew
1	<b>1901035666</b>	▪ CAP	1				
2	<b>1901034591</b>	▪ SCREW, cap	1				
3	<b>1901031752</b>	▪ HOLDER, spring	2				
4	<b>1901027956</b>	▪ SPRING	1				
5	<b>1901035667</b>	▪ CAP	1				
6	<b>1901027768</b>	▪ PLUNGER	1				
7	<b>1901027757</b>	▪ SPRING	1				
8	<b>1420100550</b>	▪ O-RING	1				
9	<b>1420500220</b>	▪ O-RING	2				
10	<b>1110020518</b>	▪ SCREW, cap	4				
	<b>L3h080</b>						

**CONTROL VALVE 2 (HIGH FLOW)**

Item	Part number	Description	Q'ty	Chan.	Serial No.	Serv.	Remarks
0	<b>1901048300</b>	CONTROL VALVE ASSY	1				
1	<b>1901048207</b>	* TIE ROD	4				
2	<b>1901034907</b>	* NUT	8				
3	<b>1901047910</b>	* INLET HOUSING	1				
4	<b>1901047902</b>	* MIDDLE HOUSING	1				
5	<b>1901047917</b>	* BLOCK ASSY NO. 1	1				
6	<b>1901047914</b>	* BLOCK ASSY NO. 2	1				
7	<b>1901047993</b>	* BLOCK ASSY NO. 3	1				
8	<b>1901047904</b>	* OUTLET HOUSING	1				
9	<b>1901039124</b>	* VALVE ASSY	1				
10	<b>1901047921</b>	* VALVE ASSY	1				
11	<b>1901047922</b>	* VALVE ASSY	1				
12	<b>1901036678</b>	* PLUG ASSY	2				
13	<b>1420010140</b>	* * O-RING	1				
	<b>L7H230</b>						

**BLOCK ASSY NO. 2**

Item	Part number	Description	Q'ty	Chan.	Serial No.	Serv.	Remarks
0	<b>1901047914</b>	BLOCK ASSY NO. 2	1				
1	<b>1901031752</b>	* SPRING HOLDER	2				
2	<b>1901047957</b>	* SPRING	2				
3	<b>1901038851</b>	* SPRING HOLDER	2				
4	<b>1901038866</b>	* CAP	2				
5	<b>1420500220</b>	* O-RING	2				
6	<b>1110020518</b>	* CAP SCREW	4				
7	<b>1901038826</b>	* PLUNGER	1				
8	<b>1901038857</b>	* SPRING	1				
9	<b>1901038890</b>	* PLUG	1				
10	<b>1420010110</b>	* O-RING	1				
11	<b>1901038881</b>	* O-RING	1				
	<b>L7H280</b>						

**SOLENOID VALVE; 1 BLOCKS (2-piece boom; with adjust shut-off valve)**

Item	Part number	Description	Q'ty	Chan.	Serial No.	Serv.	Remarks
0	<b>1901746600</b>	VALVE ASSY, solenoid	1			M	
1	<b>1901734404</b>	▪ SPRING	1				
2	<b>1901746604</b>	▪ SOLENOID	1			M	
3	<b>1901738312</b>	▪ PLUG	1				
4	<b>1110050512</b>	▪ SCREW, cap	2			M	
5	<b>1420000160</b>	▪ O-RING	1				
6	<b>1420010110</b>	▪ O-RING	1				
	<b>G4h310</b>						

PILOT VALVE (L.H.) (with slide switch)						
Item	Part number	Description	Q'ty	Chan.	Serial No.	Serv. Remarks
0	1901753200	VALVE ASSY, pilot (L.H.)	1			M
1	1901742602	• PLATE	1			M
2	1901710912	• PLUG	4			
3	1901719011	• ROD	2			
4	1901719012	• ROD	2			
5	1901710914	• SEAL	4			
6	1420010200	• O-RING	4			
7	1901745709	• HOLDER	2			
8	1901745710	• HOLDER	2			
9	1901710917	• WASHER	4			
10	1901745712	• SPRING	4			
11	1901745713	• SPRING	2			
12	1901745714	• SPRING	2			
13	1901720232	• JOINT	1			
14	1901743620	• PLATE	1			
15	1901735625	• NUT	1			
16	1901735626	• NUT	1			
17	1901740432	• LEVER	1			
18	1901751410	• HANDLE	1			M
19	1213000528	• PIN, spring	1			
20	1901742619	• BOOT	1			M
21	1901735632	• BOOT	1			
22	1700100092	• GROMMET	1			M
	L7h070					

**REMOTE CONTROL VALVE (travel)**

Item	Part number	Description	Q'ty	Chan.	Serial No.	Serv.	Remarks
0	<b>1901740000</b>	VALVE, remote-control	1				
0-1	<b>1901740099</b>	• KIT, seal	1				
1	X <b>1901733515</b>	• • PACKING	4				
2	X <b>1420300025</b>	• • O-RING	4				
3	<b>1501810000</b>	• PLUG	6				
4	<b>1901733512</b>	• COVER	2				
5	<b>1901733513</b>	• PLUG	4				
6	<b>1901733514</b>	• CUP	4				
7	<b>1901733517</b>	• ROD	4				
8	<b>1901710915</b>	• WASHER	8				
9	<b>1901710917</b>	• WASHER	4				
10	<b>1901733520</b>	• HOLDER	4				
11	<b>1901733521</b>	• RING	4				
12	<b>1901733522</b>	• BUSHING	4				
13	<b>1901733523</b>	• PISTON	4				
14	<b>1390010030</b>	• BALL, steel	12				
15	<b>1110021255</b>	• SCREW, cap	2				
16	<b>1901733527</b>	• HOLDER	4				
17	<b>1901733528</b>	• WASHER	4				
18	<b>1901733529</b>	• SPRING	4				
19	<b>1901733530</b>	• SPRING	4				
20	<b>1901733531</b>	• SPRING	4				
21	<b>1901733532</b>	• SPRING	4				
22	<b>1333001010</b>	• BUSHING	4				
23	<b>1901725215</b>	• SHAFT	2				
24	<b>1901725216</b>	• CAM	2				
25	<b>1121040605</b>	• SET-SCREW	2				
26	<b>1901725218</b>	• SET-SCREW	4				
27	<b>1130090010</b>	• NUT	4				
28	<b>1901725220</b>	• BOOT	2				
	<b>L3h360</b>						

**ROTARY VALVE**

Item	Part number	Description	Q'ty	Chan.	Serial No.	Serv.	Remarks
0	<b>1901746700</b>	VALVE, rotary	1				
1	<b>1901746704</b>	▪ SPRING	1				
2	<b>1901746710</b>	▪ SPRING	1				
3	<b>1901746711</b>	▪ KNOB	1				
4	<b>1901746712</b>	▪ SET, body	1				
5	<b>1901746709</b>	▪ ▪ COVER	1				
6	<b>1901746710</b>	▪ ▪ COVER	1				
7	<b>1901746711</b>	▪ ▪ LEVER	1				
8	<b>1901746712</b>	▪ ▪ PIN	1				
9	<b>1110050816</b>	▪ SCREW, cap	6				
10	<b>1110051020</b>	▪ SCREW, cap	6				
11	<b>1121041010</b>	▪ SET-SCREW	1				
12	<b>1213000410</b>	▪ PIN, spring	1				
13	<b>1213000824</b>	▪ PIN, spring	2				
14	<b>1901746719</b>	▪ BALL, steel	1				
15	<b>1901746720</b>	▪ BALL, steel	1				
16	<b>1901733716</b>	▪ NEEDLE	4				
17	<b>1901733717</b>	▪ SEAL, oil	1				
18	<b>1420300118</b>	▪ O-RING	1				
19	<b>1420500065</b>	▪ O-RING	2				
20	<b>1420500008</b>	▪ O-RING	8				
21	<b>1501810000</b>	▪ PLUG	7				
	<b>D5h160</b>						

**PILOT CHANGE VALVE**

Item	Part number	Description	Q'ty	Chan.	Serial No.	Serv.	Remarks
0	<b>1901734800</b>	VALVE ASSY	1				
1	<b>1420010180</b>	• O-RING	1				
2	<b>1420010110</b>	• O-RING	1				
3	<b>1901732004</b>	• PLUG	1				
	<b>L3h170</b>						

**ARM CYLINDER**

Item	Part number	Description	Q'ty	Chan.	Serial No.	Serv.	Remarks
0	<b>1900097500</b>	CYLINDER ASSY	1				arm
0-1	<b>1900076399</b>	• KIT, seal	1				
1	X <b>1900063426</b>	• • RING, seal	1				
2	X <b>1900063431</b>	• • PACKING, rod	1				
3	X <b>1900063427</b>	• • RING, back-up	1				
4	X <b>1900069633</b>	• • SEAL, dust	1				
5	X <b>1420110900</b>	• • O-RING	1				
6	X <b>1900063428</b>	• • RING, back-up	3				
7	X <b>1420100950</b>	• • O-RING	1				
8	X <b>1420110850</b>	• • O-RING	1				
9	X <b>1900050633</b>	• • RING, seal	1				
10	<b>1900097598</b>	• TUBE ASSY	1				
11	<b>1900063402</b>	• • BUSHING	1				
12	<b>1900097597</b>	• ROD ASSY, piston	1				
13	<b>1900079120</b>	• • BUSHING	1				
14	<b>1900063496</b>	• COVER ASSY, rod	1				
15	<b>1900068405</b>	• • CUSHION, rod	1				
16	<b>1900063425</b>	• CUSHION, rod	1				
17	<b>1900097506</b>	• PISTON	1				
18	<b>1900063414</b>	• RING, snap	1				
19	<b>1900063429</b>	• RING, snap	1				
20	<b>1900097516</b>	• SEAL, cushion	1				
21	<b>1900076335</b>	• SEAL, cushion	1				
22	<b>1900063413</b>	• BUSHING	1				
23	<b>1900050632</b>	• RING, wear	2				
24	<b>1900047122</b>	• STOPPER	2				
25	<b>1900063433</b>	• SEAL, dust	4				
26	<b>1560001000</b>	• FITTING, grease	1				
27	<b>1121041010</b>	• SET-SCREW	1				
28	<b>1390010400</b>	• BALL, steel	1				
29	<b>1900079161</b>	• ELBOW	1				
30	<b>1900097510</b>	• PIPE ASSY	1				
31	<b>1100051016</b>	• BOLT	1				
32	<b>1141190010</b>	• WASHER	1				
33	<b>1900086958</b>	• PLUG	1				
34	<b>1420010260</b>	• O-RING	2				
	<b>L7h130</b>						

**ADJUST CYLINDER (2-piece boom)**

Item	Part number	Description	Q'ty	Chan.	Serial No.	Serv.	Remarks
0	<b>1900087000</b>	CYLINDER	1				adjust
0-1	<b>1900087099</b>	• KIT, seal	1				
1	X <b>1900087027</b>	• • BUFFER RING	1				
2	X <b>1900050631</b>	• • PACKING, rod	1				
3	X <b>1900070831</b>	• • SEAL, dust	1				
4	X <b>1420110850</b>	• • O-RING	1				
5	X <b>1900087028</b>	• • RING, back-up	1				
6	X <b>1420100900</b>	• • O-RING	1				
7	X <b>1900047131</b>	• • PACKING, piston	1				
8	X <b>1420010260</b>	• • O-RING	2				
9	<b>1900087098</b>	• TUBE KIT	1				
10	<b>1900008702</b>	• • BUSHING	1				
11	<b>1900087097</b>	• ROD KIT, piston	1				
12	<b>1900008702</b>	• • BUSHING	1				
13	<b>1900087003</b>	• COVER, rod	1				
14	<b>1900087013</b>	• BUSHING	1				
15	<b>1900063214</b>	• RING, retaining	1				
16	<b>1900087006</b>	• PISTON	1				
17	<b>1121051010</b>	• SET-SCREW	1				
18	<b>1390020400</b>	• BALL, steel	1				
19	<b>1900063642</b>	• SEAL, dust	4				
20	<b>1900087010</b>	• PIPE ASSY	1				
21	<b>1900086958</b>	• PLUG	1				
22	<b>1900086917</b>	• HOLDER	1				
23	<b>1100050830</b>	• BOLT	1				
24	<b>1560001000</b>	• FITTING, grease	2				
25	<b>1900087026</b>	• RING, wear	2				

**W2h170**

**DOZER BLADE CYLINDER**

Item	Part number	Description	Q'ty	Chan.	Serial No.	Serv.	Remarks
0	<b>1900100900</b>	CYLINDER ASSY (R.H.) (MITSUO)	1				dozer blade
	<b>1900101000</b>	CYLINDER ASSY (L.H.) (MITSUO)	1				
0-1	<b>1900100999</b>	• KIT, seal	1				
1	X <b>1900047031</b>	• • PACKING, piston	1				
2	X <b>1900063731</b>	• • PACKING, rod	1				
3	X <b>1411275603</b>	• • RING, back-up	1				
4	X <b>1900100935</b>	• • RING, back-up	1				
5	X <b>1900091227</b>	• • BUFFER RING	1				
6	X <b>1900071532</b>	• • SEAL, dust	1				
7	X <b>1420111000</b>	• • O-RING	1				
8	X <b>1420110950</b>	• • O-RING	1				
9	X <b>1421130950</b>	• • RING, back-up	1				
10	X <b>1420110500</b>	• • O-RING	1				
11	<b>1900100907</b>	• TUBE ASSY (R.H.)	1				
	<b>1900101007</b>	• TUBE ASSY (L.H.)	1				
12	<b>1900100903</b>	• COVER, rod	1				
13	<b>1900100901</b>	• ROD ASSY, piston	1				
14	<b>1900100906</b>	• PISTON	1				
15	<b>1900100909</b>	• NUT	1				
16	<b>1900100902</b>	• BUSHING	2				
17	<b>1121050810</b>	• SET-SCREW	1				
18	<b>1390010070</b>	• BALL, steel	1				
19	<b>1333006040</b>	• BUSHING	1				
20	<b>1221000065</b>	• RING, retaining	1				
21	<b>1560001000</b>	• FITTING, grease	1				
22	<b>1560001675</b>	• FITTING, grease	1				
23	<b>1900063433</b>	• SEAL, dust	4				
24	<b>1900089525</b>	• RING, wear	2				
	<b>L3h580</b>						

TRAVEL MOTOR (2/2) (motor sec.)

Item	Part number	Description	Q'ty	Chan.	Serial No.	Serv.	Remarks
0	1903120800	MOTOR ASSY, travel	2				
0-4	X *****	· MOTOR ASSY	1				
0-5	1903905499	· · KIT, seal	1				
1	X 1903905416	· · · O-RING	1				
2	X 1903905417	· · · O-RING	1				
3	X 1903905419	· · · O-RING	1				
4	X 1420010120	· · · O-RING	2				
5	X 1903905402	· · · SEAL, oil	1				
6	1903905401	· · HOUSING	1				
7	1903905403	· · PISTON	1				
8	1903905404	· · SHAFT	1				
9	1903905405	· · BEARING	1				
10	1903905406	· · BALL	2				
11	1903905407	· · PLATE	1				
12	1903905408	· · PISTON ASSY	9				
13	1903905409	· · RETAINER	1				
14	1903905410	· · BUSHING	1				
15	1903905411	· · SPRING	6				
16	1903905412	· · ROTOR	1				
17	1903905413	· · PLATE	3				
18	1903905414	· · PLATE	3				
19	1903905415	· · PISTON	1				
20	1903905418	· · DISK	1				
0-6	1901809500	· · VALVE, brake	1				
21	1901809501	· · · CASE	1				
22	1901809503	· · · SPOOL	2				
23	1901809504	· · · SPRING	2				
24	1901809505	· · · PLUG	2				
25	1420110240	· · · O-RING	2				
26	1901809506	· · · BALL	1				
27	1901809507	· · · PLUG	1				
28	1901809508	· · · PLUNGER	2				
29	1901809509	· · · SPRING	2				
30	1901809510	· · · VALVE, relief	2				
31	1901809511	· · · NEEDLE	1				
32	1901809512	· · · SPRING	1				
33	1901809513	· · · PLUG	1				
34	1901809514	· · · ADAPTOR	1				
35	1501810003	· · · PLUG	1				
36	1501810002	· · · PLUG	2				
37	1501810001	· · · PLUG	2				
38	1901809515	· · · PLUG	2				
39	1901809516	· · · PIN, spring	1				
40	1901809517	· · · PLUNGER	1				
41	1901809518	· · · SPRING	1				
42	1903905421	· · BEARING	1				
43	1903905422	· · PLATE	1				
44	1110021432	· · SCREW, cap	6				

L3h270

**GEAR PUMP**

Item	Part number	Description	Q'ty	Chan.	Serial No.	Serv.	Remarks
0	<b>1902017600</b>	PUMP ASSY, gear	1				
0-1	<b>1902017699</b>	▪ KIT, seal	1				
1	X <b>1902017618</b>	▪ ▪ SEAL, oil	1				
2	X <b>1902017616</b>	▪ ▪ GASKET	2				
3	X <b>1902017613</b>	▪ ▪ GASKET	2				
4	X <b>1902011050</b>	▪ ▪ GASKET	2				
5	X <b>1902011151</b>	▪ ▪ GASKET	1				
6	X <b>1902017615</b>	▪ ▪ RING, back-up	2				
7	X <b>1221000036</b>	▪ ▪ RING, snap	1				
	<b>L3h301</b>						

Annual Filter Kit						
Item	Part number	Description	Q'ty	Chan.	Serial No.	Serv. Remarks
	<b>1909917511</b>	Annual Filter Kit				
2	<b>Y129150-35150</b>	Annual Filter Kit SN 17510003-up	1			
3	<b>Y129004-55801</b>	* Engine Oil Filter	1			
4	<b>Y129535-52150</b>	* Fuel Filter	1			
5	<b>Y129062-12560</b>	* Fuel Filter Feed Pump	1			
6	<b>Y129062-12560</b>	* Outer Air Filter SN 17510003-up	1			
7	<b>Y119005-12571</b>	* Inner Air Filter SN 17510003-up	1			
8	<b>1551100200</b>	* Hydraulic Filter	1			
9	<b>Y129901-55860</b>	* Sedimetn Filter	1			
	<b>Y129901-55850</b>	* Water Seperator	1			

		<b>Seal Kits</b>						
Item	Part number	Description	Q'ty	Chan.	Serial No.	Serv.	Remarks	
		Seal Kits						
	<b>1900079399</b>	Swing Cylinder Seal Kit SN 17510003-17512104	1					
	<b>1900063599</b>	Bucket Cylinder Seal Kit SN 17510003-17510308	1					
	<b>1900083299</b>	Bucket Cylinder Seal Kit SN 17510309-17512104	1					
	<b>1900091099</b>	Bucket Cylinder Seal Kit SN 17512105-up	1					
	<b>1900076399</b>	Arm Cylinder Seal Kit	1					
	<b>1900078999</b>	Boom Cylinder Seal Kit	1					
	<b>1900079499</b>	Blade Cylinder Seal Kit SN 17510003-17512104	1					
	<b>1900091299</b>	Blade Cylinder Seal Kit SN 17512105-up	1					
	<b>1900063999</b>	Track Adjuster Seal Kit	1					

**Engine for TB175 4TNV98-ZQTB  
FLYWHEEL HOUSING & OIL SUMP**

Item	Part No	Description	Qty
1	Y129100-01580	PARALLELPIN8X16	2
2	Y129951-01620	HOUSING,FLYWHEEL	1
4	Y119000-01840	PLUG25,RUBBER	1
5	Y26206-100352	BOLTM10X35PLATED	9
6	Y129916-01790	SEAL,OIL	1
7	Y129953-01730	PANASSY,LUB.OIL	1
8	Y119640-01640	· DRAINPLUGM22	1
12	Y22190-220002	· SEALWASHER22S	1
13	Y26106-080122	BOLTM8X12PLATED	16

**Engine for TB175 4TNV98-ZQTB  
CRANKSHAFT & PISTON**

Item	Part No	Description	Qty
1	Y129902-21000	CRANKSHAFTCOMP	1
3	Y129900-21200	• GEAR,CRANKSHAFT	1
4	Y121850-21290	• PARALLELPIN	1
5	Y121850-21920	• PARALLELPIN10X22	1
6	Y22512-070140	• KEY7X14	1
7	Y129916-21610	BOLT,V-PULLEY	1
8	Y129948-21610	V-PULLEY,CRANKSHAFT	1
9	Y129960-21640	WASHER	1
10	Y24341-000530	O-RING1AS-53.0	1
11	Y121850-21130	BOLT,FLYWHEEL	6
12	Y129902-21580	FLYWHEELASSY	1
14	Y127410-21480	• RINGGEARZ=129	1
15	Y129927-22080	PISTONASSY	4
17	Y129927-22050	• RINGSET,PISTON	4
21	Y120130-22301	PIN,PISTON	4
22	Y22252-000300	CIRCLIP30	8
23	Y129900-23001	RODASSY,CONNECTING	4
26	Y129900-23200	• BOLT,ROD	8
27	Y129900-23601	• METALASSY,CRANKPIN	4
29	Y129900-23911	BUSH,PISTONPIN	4
30	Y129900-23611	BEARING,PINU.S=0.25	4
32	Y729927-22900	PISTONW/RING,0.25OS	4
34	Y729927-22950	• RINGSET,0.25OS	4

**Engine for TB175 4TNV98-ZQTB  
GOVERNOR**

Item	Part No	Description	Qty
2	Y158560-61050	PACKING,CASE	1
3	Y129927-61100	CASEASSY,GOVERNOR	1
4	Y129927-61010	• CASE,GOVERNOR	1
5	Y129927-61121	• LINK	1
6	Y129928-61130	• PIN,GOVERNORLEVER	1
7	Y158557-61390	• SHAFT,GOV.LEVER	1
8	Y158557-61411	• SCREW	1
9	Y158557-61480	• SPACER,GOV.LEVER	2
10	Y129927-61521	• LEVER,GOVERNOR	1
11	Y158557-61640	• SPRING	1
12	Y158557-61650	• PUCK,SPRING	1
13	Y22117-040000	• WASHER4	2
14	Y22272-000030	• CIRCLIP-3	2
15	Y22272-000040	• CIRCLIP-4	1
16	Y22351-020010	• SPRINGPIN2X10	1
17	Y24311-000060	• O-RING1AP-6.0	1
18	Y26450-050102	• BOLTM5X10	1
19	Y129008-61301	NUT	1
20	Y129927-61601	ACTUATOR	1
21	Y129927-61610	BOLT,ECO	1
22	Y158557-61720	SENSOR	1
23	Y158553-61780	GEAR,SENSOR	1
24	Y23414-120000	GASKET12,ROUND	1
25	Y23887-120002	PLUGM12,HEX.	1
26	Y24341-000480	O-RING1AS-48.0	1
27	Y26106-060252	BOLTM6X25PLATED	10
28	Y26106-080252	BOLTM8X25PLATED	3
29			
30			
31			

CLICK HERE TO **DOWNLOAD** THE COMPLETE MANUAL

- Thank you very much for reading the preview of the manual.
- You can download the complete manual from: [www.heydownloads.com](http://www.heydownloads.com) by clicking the link below



- Please note: If there is no response to CLICKING the link, please download this PDF first and then click on it.

CLICK HERE TO **DOWNLOAD** THE COMPLETE MANUAL