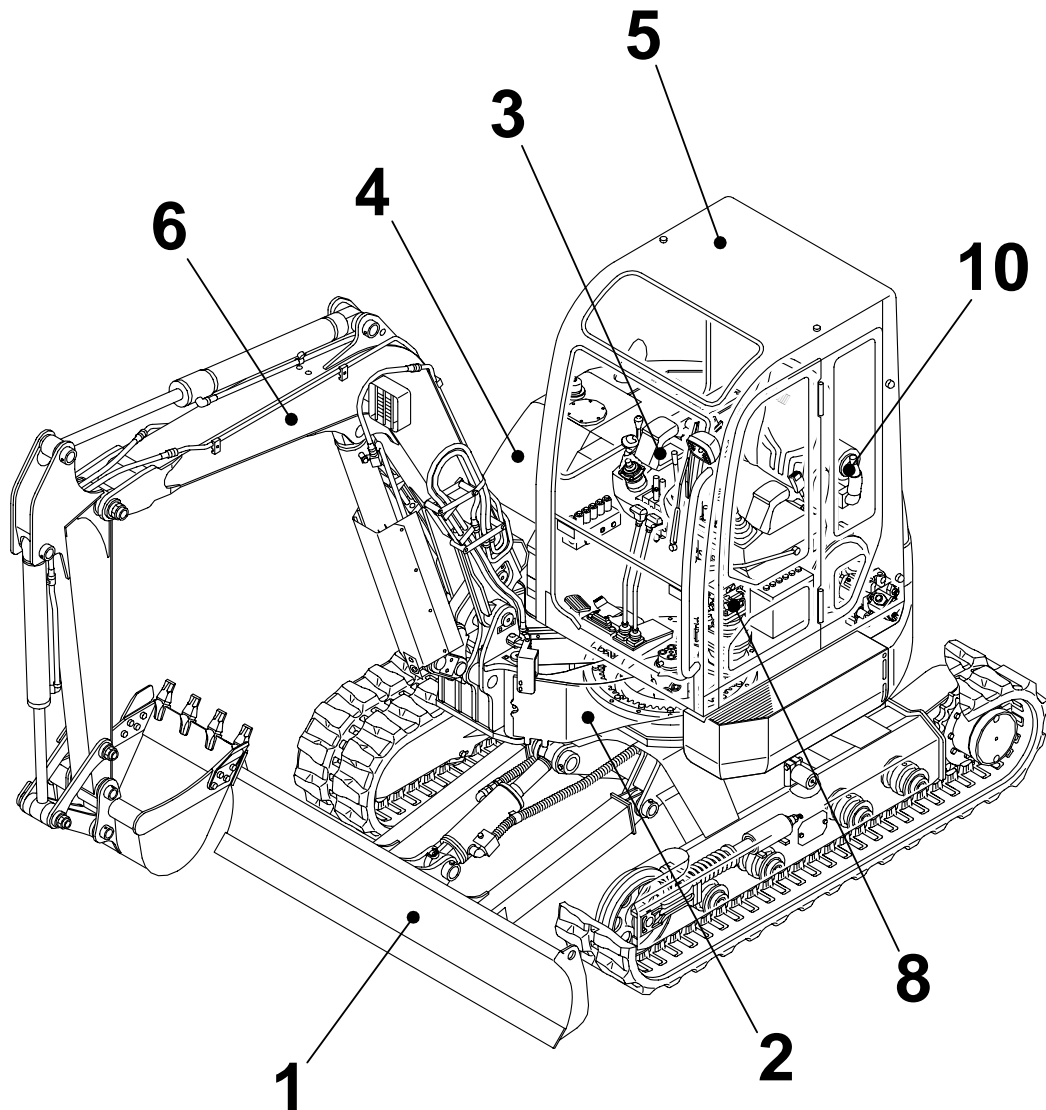


# TB153FR

Book No. BJ2Z004  
Serial No.15820004-



TAKEUCHI

CLICK HERE TO **DOWNLOAD** THE COMPLETE MANUAL

- Thank you very much for reading the preview of the manual.
- You can download the complete manual from: [www.heydownloads.com](http://www.heydownloads.com) by clicking the link below



- Please note: If there is no response to CLICKING the link, please download this PDF first and then click on it.

CLICK HERE TO **DOWNLOAD** THE COMPLETE MANUAL

**CARRIER ROLLER**

Item	Part number	Description	Q'ty	Chan.	Serial No.	Serv.	Remarks
		ROLLER ASSY, carrier					X03912-00000-2
0-1	<b>0391200100</b>	ROLLER SUB ASSY	2				
1	<b>0391200110</b>	▪ ROLLER	1				
2	<b>0391200120</b>	▪ SHAFT	1				
3	<b>0141201300</b>	▪ COVER	1				
4	<b>1431203062</b>	▪ SEAL	1				
5	<b>1300006206</b>	▪ BEARING	2				
6	<b>1221000062</b>	▪ RING, snap	1				
7	<b>1501820001</b>	▪ PLUG	1				
8	<b>1101041670</b>	BOLT	2				
9	<b>1130540016</b>	NUT	2				
	<b>K3a141</b>						

**SLEW BEARING**

Item	Part number	Description	Q'ty	Chan.	Serial No.	Serv.	Remarks
		BEARING ASSY, slew					X03920-00000-1
1	<b>1913003500</b>	BEARING	1				
1-1	<b>1913003508</b>	• SEAL	1				
1-2	<b>1913003509</b>	• SEAL	1				
2	<b>1101051680</b>	BOLT	39				
3	<b>1141540016</b>	WASHER	20				
4	<b>0392000100</b>	BOLT	1				
	<b>K3a090</b>						

**TURNTABLE**

Item	Part number	Description	Q'ty	Chan.	Serial No.	Serv.	Remarks
		TURNTABLE ASSY (cab)					X03930-22000-7
		TURNTABLE ASSY (canopy)					X03930-22500-7
1	X *****	TURNTABLE	1				
2	0393022400	COUNTERWEIGHT ASSY	1				cab
	0393022700	COUNTERWEIGHT ASSY	1				canopy
2-1	0393022200	· COUNTERWEIGHT	1				cab
	0393022600	· COUNTERWEIGHT	1				canopy
2-2	0393022420	· ABSORBENT, noise	1				
2-3	0393022430	· ABSORBENT, noise	1				
2-4	0393022440	· ABSORBENT, noise	1				
2-5	0393022450	· ABSORBENT, noise	1				
3	0393022300	ANGLE	1				
4	0393022310	COVER	1		15820004~15820651		
	0393022315	COVER	1	(H)	15820652~		
5	0393022340	GUARD	1				
6	0393022350	NET	1				
7	0393015200	BRACKET	1				
9	1101141640	BOLT	2				
11	1101041645	BOLT	2				
12	0003000010	WASHER	4				
13	1140020016	WASHER, spring	2				
14	1101041240	BOLT	2				
15	1140020012	WASHER, spring	4				
16	1141110012	WASHER	4				
17	1100041020	BOLT	2				
18	1140020010	WASHER, spring	9				
19	1141110010	WASHER	9				
20	1560001675	FITTING, grease	1				
21	1532520601	CONNECTOR	2				
22	1532120663	TUBE	1				sold by the meter
23	0007262005	ELBOW	1				
24	0393014200	PLATE	1				
25	1100040820	BOLT	4				
26	1140020008	WASHER, spring	4				
27	1141110008	WASHER	4				
28	1101041220	BOLT	2				
29	1100041025	BOLT	3				
30	0393022360	ABSORBENT, noise	1				
31	0393022361	ABSORBENT, noise	1				
32	0393022362	ABSORBENT, noise	1				
33	0393022363	ABSORBENT, noise	1				
34	0393022364	ABSORBENT, noise	1				
35	0393022365	ABSORBENT, noise	1				
36	1652533021	CAP	2				
37	0393022366	ABSORBENT, noise	1				
38	0393022367	ABSORBENT, noise	1				
39	0393022370	PLATE	1				
40	1100041030	BOLT	4				
41	1654314032	SPONGE	1				sold by the meter
	J2b022						

**DOZER BLADE LEVER**

Item	Part number	Description	Q'ty	Chan.	Serial No.	Serv.	Remarks
		LEVER ASSY, blade (cab)					X03933-01100-4
		LEVER ASSY, blade (canopy)					X03933-01200-4
1	<b>0393301150</b>	BRACKET	1				
2	<b>0393301160</b>	LEVER	1				
2-4	<b>1333002025</b>	• BUSHING	1				
3	<b>0393301180</b>	COVER	1				cab
4	<b>1630776310</b>	CABLE, control	1				
5	<b>1650153655</b>	GRIP	1				
6	<b>0004006017</b>	PIN	2				
7	<b>0005506024</b>	YOKE	2				
8	<b>0093208300</b>	WASHER	2				
9	<b>1100090612</b>	BOLT	2				
10	<b>1100040625</b>	BOLT	2				
11	<b>1100040816</b>	BOLT	2				
12	<b>1130040006</b>	NUT	2				
13	<b>1140090006</b>	WASHER, spring	2				
14	<b>1140020008</b>	WASHER, spring	2				
15	<b>1141190006</b>	WASHER	2				
16	<b>1141110008</b>	WASHER	2				
17	<b>1214000006</b>	PIN, snap	2				
18	<b>1220000020</b>	RING, retaining	1				
19	<b>1225000005</b>	WASHER	2				
20	<b>1652052600</b>	GROMMET	1				
21	<b>0334120100</b>	BOOT	1				
22	<b>1700000038</b>	SWITCH	1				
23	<b>0393301190</b>	COVER	1				canopy
24	<b>1711900059</b>	LIGHTER	1				cab
25	<b>1652533003</b>	CAP	1		15820004~15820429		canopy
26	<b>1130040005</b>	NUT	2				
	<b>J2b052</b>						

**PIPING; OPERATION LEVER (2/2) (ISO-JCB pattern)**

Item	Part number	Description	Q'ty	Chan.	Serial No.	Serv.	Remarks
		PIPING ASSY					X03971-15300-4
		PIPING ASSY (1st aux. proportion)					X03971-15500-4
13	<b>0397115130</b>	HOSE ASSY	1				18010-22115
14	<b>0397115140</b>	HOSE ASSY	1				18010-22120
15	<b>0397115150</b>	HOSE ASSY	1				18010-22105
16	<b>0397115160</b>	HOSE ASSY	1				18010-22125
17	<b>0397115170</b>	HOSE ASSY	1				18010-52075
18	<b>0397115180</b>	HOSE ASSY	1				18010-52075
19	<b>0397115190</b>	HOSE ASSY	1				18010-22115
20	<b>0397115200</b>	HOSE ASSY	1				18010-22125
21	<b>0397115210</b>	HOSE ASSY	1				18010-52100
22	<b>0397115220</b>	HOSE ASSY	1				18010-52100
35	<b>1652231250</b>	BAND	2				
44	<b>0397115420</b>	HOSE ASSY (1st aux. proportion)	1				18010-52130
47	<b>0007300044</b>	CLAMP	1				
48	<b>1100040816</b>	BOLT	1				
49	<b>1141110008</b>	WASHER	1				
50	<b>1140020008</b>	WASHER, spring	1				
	<b>J2b101</b>						

**DRAIN PLUG**

Item	Part number	Description	Q'ty	Chan.	Serial No.	Serv.	Remarks
		PLUG ASSY, drain					X03340-13000-2
1	1554502250	PLUG	1				
2	1432122302	WASHER	1				
3	1554512601	TUBE	1				
	J1c031						

**TRAVEL ALARM (15820004-15820399)**

Item	Part number	Description	Q'ty	Chan.	Serial No.	Serv.	Remarks
		ALAME ASSY, travel					X03932-21500-1
1	<b>0393219572</b>	ANGLE	1				
2	<b>0393219770</b>	HARNES	1				
3	<b>0564230810</b>	PLATE (R.H.)	1				
4	<b>0564230820</b>	PLATE (L.H.)	1				
5	<b>0564230830</b>	COVER	1				
6	<b>0354211050</b>	BUZZER	1				
7	<b>1700009010</b>	SWITCH, proximity	1				
9	<b>1150110312</b>	SCREW	2				
11	<b>1130030003</b>	NUT	2				
12	<b>1100040816</b>	BOLT	4				
13	<b>1110040816</b>	SCREW, cap	2				
14	<b>1140020006</b>	WASHER, spring	6				
15	<b>1141110006</b>	WASHER	4				
16	<b>1652000602</b>	GROMMET	1				
	<b>J1c151</b>						

**MAINTENANCE LIGHT SOCKET**

Item	Part number	Description	Q'ty	Chan.	Serial No.	Serv.	Remarks
1	<b>0394203100</b> <b>G4c120</b>	SOCKET ASSY, maintenance light SOCKET ASSY	1				X03942-03000-0

VALVE & ACCESSORIES (1/2) (1st aux. proportional cont.)

Item	Part number	Description	Q'ty	Chan.	Serial No.	Serv.	Remarks
		VALVE ASSY					X03950-23600-3
		VALVE ASSY (with 2nd aux. lines)					X03950-23700-3
		VALVE ASSY (with 3rd aux. lines)					X03950-23800-3
1	X *****	VALVE ASSY, control	1				X03950-23010-3
	X *****	VALVE ASSY, control (with 2nd aux. lines)	1				X03950-23110-3
2	X *****	VALVE ASSY, solenoid	1				X03950-23620-0
2-1	1515010051	• ELBOW	1				
	1420010180	• • O-RING	1				
2-2	1515012040	• ELBOW	4				
	1420010110	• • O-RING	1				
2-3	0007213013	• BUSHING	1				
2-4	1901748800	• VALVE, solenoid	1				
3	X *****	VALVE ASSY, solenoid (with 2nd, 3rd aux. lines)	1				X03950-23030-1
3-1	1512375004	• ELBOW	1				
	1420010110	• • O-RING	1				
3-2	1515600200	• ADAPTOR	1				
	1420010110	• • O-RING	1				
3-3	1515012040	• ELBOW	2				
	1420010110	• • O-RING	1				
3-4	1901738400	• VALVE, solenoid	1				
4	X *****	VALVE ASSY, solenoid (with 3rd aux. lines)	1				X03950-23040-2
4-1	1901747100	• VALVE, solenoid	1				
4-1-1	1901741402	• • SOLENOID	1				
4-1-2	1901741703	• • COIL	1				
4-2	1700100065	• SWITCH, pressure	1				
	1420010110	• • O-RING	1				
4-3	1515600200	• ADAPTOR	1				
	1420010110	• • O-RING	1				
4-4	1515012040	• ELBOW	2				
	1420010110	• • O-RING	1				
4-5	1512370008	• ADAPTOR (with filter)	1				
	1420010110	• • O-RING	1				
5	X *****	VALVE ASSY, solenoid	1				X03950-23650-0
5-1	1512370008	• ADAPTOR (with filter)	1				
	1420010110	• • O-RING	1				
5-2	1515012040	• ELBOW	3				
	1420010110	• • O-RING	1				
5-3	1901738400	• VALVE, solenoid	1				
6	0395023065	PLATE	1				
7	0395023070	PLATE	1				with 2nd, 3rd aux. lines
9	0395023090	PLATE	2				
10	0007224006	ADAPTOR	1				
10-1	1420010180	• O-RING	1				
11	0395023611	PLATE	1				
12	1515010042	ELBOW	1				
	1420010180	• O-RING	1				
15	1100041020	BOLT	5				
16	1100041016	BOLT	8				
	1100041016	BOLT	10				with 2nd, 3rd aux. lines
17	1100040890	BOLT	3				with 3rd aux. lines
19	1100040820	BOLT	2				
20	1100040816	BOLT	4				
	1100040816	BOLT	7				with 2nd, 3rd aux. lines
21	1140020010	WASHER, spring	13				
	1140020010	WASHER, spring	15				with 2nd, 3rd aux. lines
22	1140020008	WASHER, spring	6				
	1140020008	WASHER, spring	9				with 2nd aux. lines
	1140020008	WASHER, spring	12				with 3rd aux. lines
23	1141110010	WASHER	9				
	1141110010	WASHER	11				with 2nd, 3rd aux. lines
24	1141110008	WASHER	6				
	1141110008	WASHER	9				with 2nd aux. lines
	1141110008	WASHER	15				with 3rd aux. lines
25	0565032710	BUSHING	2				
26	1512370010	ADAPTOR	2				

Item	Part number	DESCRIPTION	Q'ty	Chan.	Serial No.	Serv.	Remarks
		<b>PIPING; UPPER (3/4)</b>					
		PIPING ASSY, upper					X03970-14000-10
		PIPING ASSY, upper (with 2nd aux. lines)					X03970-13900-10
		PIPING ASSY, upper (with 3rd aux. lines, with air con.)					X03970-13800-10
		PIPING ASSY, upper (with 3rd aux. lines, without air con.)					X03970-14800-10
9	<b>0397014090</b>	HOSE ASSY	1				18019-41215
10	<b>0397014100</b>	HOSE ASSY	1				18019-41175
11	<b>0397014110</b>	HOSE ASSY	1				18019-41220
12	<b>0397014120</b>	HOSE ASSY	1				18019-41175
13	<b>0397014130</b>	HOSE ASSY	1				18019-41070
14	<b>0397014140</b>	HOSE ASSY	1				18019-41070
15	<b>0397014150</b>	HOSE ASSY	1				18019-41065
16	<b>0397014160</b>	HOSE ASSY	1				18019-41060
17	<b>0397014170</b>	HOSE ASSY	1				18019-20195
18	<b>0397014180</b>	HOSE ASSY	1				18019-20135
19	<b>0397014190</b>	HOSE ASSY	1				18019-41195
20	<b>0397014200</b>	HOSE ASSY	1				18015-41043
21	<b>0397014210</b>	HOSE ASSY	1				18019-41175
22	<b>0397014220</b>	HOSE ASSY	1				18019-40180
23	<b>0397014230</b>	HOSE ASSY	1				18019-40195
24	<b>0397014240</b>	HOSE ASSY	1				18019-21065
25	<b>0397014250</b>	HOSE ASSY	1				18019-21065
26	<b>0397014260</b>	HOSE ASSY	1				18028-41070
27	<b>0397014270</b>	HOSE ASSY	1				18028-41068
93	<b>1531335033</b>	PROTECTOR	1				sold by the meter
	<b>J2d063</b>						

**PIPING; UPPER (4/4) (1st aux. proportional cont., with 2nd & 3rd aux. lines)**

Item	Part number	Description	Q'ty	Chan.	Serial No.	Serv.	Remarks
		PIPING ASSY, upper (with 2nd aux. lines)					X03970-15200-6
		PIPING ASSY, upper (with 3rd aux. lines, with air con.)					X03970-15300-6
		PIPING ASSY, upper (with 3rd aux. lines, without air con.)					X03970-15400-6
28	<b>0397014280</b>	HOSE ASSY	1				18019-41160
29	<b>0397014290</b>	HOSE ASSY	1				18019-41175
42	<b>0397014420</b>	HOSE ASSY	1				18010-52070
43	<b>0397014430</b>	HOSE ASSY	1				18010-22100
44	<b>0397015140</b>	HOSE ASSY	1				18010-52030
45	<b>0397014450</b>	HOSE ASSY	1				18010-52040
46	<b>0397014460</b>	HOSE ASSY (with 3rd aux. lines)	1				18010-22175
47	<b>0397014470</b>	HOSE ASSY (with 3rd aux. lines)	1				18010-52195
48	<b>0397014480</b>	HOSE ASSY (with 3rd aux. lines, with air con.)	1				18010-52045
49	<b>0397014490</b>	HOSE ASSY (with 3rd aux. lines)	1				18010-22090
51	<b>0397014810</b>	HOSE ASSY (with 3rd aux. lines, without air con.)	1			M	18010-52063
66	<b>0397014670</b>	CLAMP	1				
67	<b>1514011104</b>	ADAPTOR	2				
68	<b>1514011102</b>	ADAPTOR (with 3rd aux. lines)	2				
69	<b>1110041050</b>	SCREW, cap	4				
77	<b>1513390015</b>	TEE	2				
83	<b>1512370015</b>	ELBOW (with 3rd aux. lines)	1				
	<b>1420010080</b>	• O-RING	1				
87	<b>0397014680</b>	CLAMP	1				
92	<b>1531645015</b>	PROTECTOR	1				sold by the meter
	<b>J2d173</b>						

**PUMP DRIVE**

Item	Part number	Description	Q'ty	Chan.	Serial No.	Serv.	Remarks
		PUMP ASSY, drive (with air conditioner)					X03952-09000-3
		PUMP ASSY, drive					X03952-09300-3
1	<b>0395206100</b>	HOUSING	1				
2	<b>0395209150</b>	FLANGE	1		15820004~15820099		
	<b>0395209200</b>	FLANGE	1		15820100~		
3	<b>1902022000</b>	PUMP, hydraulic	1				with air con.
4	<b>1603102500</b>	COUPLING	1				
6	<b>1512340004</b>	ELBOW	2				
	<b>1420010180</b>	· O-RING	1				
7	<b>1513390014</b>	TEE	1				
	<b>1420010180</b>	· O-RING	1				
8	<b>1515012040</b>	ELBOW	2				without air con.
	<b>1515012040</b>	ELBOW	3				with air con.
	<b>1420010110</b>	· O-RING	1				
9	<b>0007213010</b>	BUSHING	1				
	<b>1420010180</b>	· O-RING	1				
10	<b>1501750002</b>	PLUG	4				
	<b>1420010110</b>	· O-RING	1				
11	<b>1513390029</b>	TEE	1				
	<b>1420010110</b>	· O-RING	1				
12	<b>1420100450</b>	O-RING	1				
13	<b>1512370015</b>	ELBOW	1				with air con.
	<b>1420010080</b>	· O-RING	1				
14	<b>1100041025</b>	BOLT	8				
15	<b>1101041230</b>	BOLT	2				
16	<b>1110041230</b>	SCREW, cap	4				
17	<b>1140020010</b>	WASHER, spring	8				
18	<b>1140020012</b>	WASHER, spring	2				
19	<b>1140420012</b>	WASHER, spring	4				
20	<b>1902022600</b>	PUMP, hydraulic	1				without air con.
	<b>J2d131</b>						

## COVER (1/3) (15820184-)

Item	Part number	Description	Q'ty	Chan.	Serial No.	Serv.	Remarks
		COVER ASSY (cab)					X03982-19000-3
		COVER ASSY (canopy)					X03982-19500-3
1	0398216200	HOOD ASSY, engine (cab) (steel)	1				see page (2/3)
	0398217200	HOOD ASSY, engine (canopy) (steel)	1				see page (2/3)
2	0568256300	COVER, side (steel)	1				see page (3/3)
3	0398216400	COVER ASSY, center	1				
3-1	0398216300	• COVER	1				
3-2	0398216410	• ABSORBENT, noise	1				
3-3	0398216420	• ABSORBENT, noise	1				
3-4	1652060063	• GROMMET	1				
3-5	1654606055	• RUBBER	1				sold by the meter
4	0398216500	BRACKET (L.H.)	1				
4-7	0872433150	• TUBE	4		15820184~15820454		
5	0398216530	BRACKET (R.H.)	1				
5-12	0872433150	• TUBE	2				
6	0398216550	BRACKET	1				
7	0568253470	HINGE	2				
8	0568256550	BRACKET	1				
9	0398216560	HINGE	2	A	15820184~15820399		
	0398219060	HINGE	2	a(H)	15820400~		
10	0568256570	BRACKET	1				
11	0398216570	PLATE	1				
12	1654011300	LOCK	1				
13	0398218620	BRACKET	1				
14	0398218010	ROD ASSY	1				
14-1	0398218011	• ROD	1				
14-2	0348204682	• WASHER	1				
16	1653900057	DAMPER	2				
17	0568256580	BRACKET	1				
18	0568239520	SHIM	AR				t=1.6mm
19	0003900054	SHIM	AR	a	15820400~		t=4.5mm
20	0003900055	SHIM	AR	a	15820400~		t=2.3mm
21	0003900056	SHIM	AR	a	15820400~		t=1.6mm
22	1130040008	NUT	4				
23	1100040820	BOLT	9				
24	1100040825	BOLT	8				
25	1140020008	WASHER, spring	15				
26	1141110008	WASHER	12				
27	0003608252	WASHER	13				
28	1100041020	BOLT	11				
29	1100041025	BOLT	8				
30	1140020010	WASHER, spring	19				
31	1141110010	WASHER	20				
32	1101041225	BOLT	1				
34	1140020012	WASHER, spring	9				
35	1141110012	WASHER	7				
36	1110040510	WASHER	1				
37	1224010008	RING, retaining	1				
38	1224010006	E-RING	1				
40	1654353006	SPONGE	1				sold by the meter
41	0568225380	ROPE, wire	1				
42	0007900023	PIN	1				
43	0003600136	SHIM	AR				
45	0007300005	CLAMP	1				
46	1100040630	BOLT	4				
47	1140020006	WASHER, spring	4				
48	1141110006	WASHER	4				
49	0398218300	BOX ASSY, tool	1				
49-1	0398218310	• BOX, tool	1				
49-2	0398218320	• RUBBER	1				
49-3	1653612836	• LOCK	1				
49-3-1	1700100019	• KEY	1				
49-4	1100040620	• BOLT	1				
49-5	1141110006	• WASHER	2				
49-6	1130040006	• NUT	1				
49-7	0398218330	• RUBBER	1				

**FLOOR FRAME (2/3)**

Item	Part number	Description	Q'ty	Chan.	Serial No.	Serv.	Remarks
0	0563523800	FRAME ASSY (canopy)	1				X05635-23800-1
	0563532300	FRAME ASSY (cab)	1				X05635-32300-1
1	0563532400	• FRAME	1				
3	0563532330	• PLATE ASSY	1				X05635-32330-2
3-1	0563532331	• • BRACKET	1				
3-2	0563532336	• • INSULATOR	1				
3-3	0563532333	• • INSULATOR	1				
3-4	1654606012	• • SEAL	1				sold by the meter
3-5	0563532334	• • ABSORBENT, noise	1				
3-6	0563532339	• • ABSORBENT, noise	1				
3-7	0563532337	• • ABSORBENT, noise	1				
3-8	0563532338	• • INSULATOR	1				
3-9	0563532325	• • ABSORBENT, noise	1				
4	0563532340	• PLATE ASSY	1				
4-1	0563532390	• • BRACKET	1				
4-2	0563532343	• • INSULATOR	1				
4-3	1654601016	• • TRIM	1				sold by the meter
4-4	1652060075	• • BUSHING	1				
5	0563532350	• PLATE ASSY	1				
5-1	0563532351	• • PLATE	1				
5-2	0563532352	• • INSULATOR	1				
5-3	1654606087	• • SEAL	1				sold by the meter
6	0563532360	• PLATE ASSY	1				
6-1	0563532361	• • PLATE	1				
6-2	0563532362	• • INSULATOR	1				
7	0563532370	• PLATE ASSY	1				
7-1	0563532371	• • PLATE	1				
7-2	0563532372	• • ABSORBENT, noise	1				
8	0563532380	• PLATE	1				
22	0338230850	• COVER	1				
24	1654010600	• POCKET	1				cab
25	1120530416	• SCREW	4				cab
	1150410410	• SCREW	4				canopy
26	1141190004	• WASHER	4				cab
27	1150420816	• BOLT, sems	2				
28	1150420616	• BOLT, sems	2				
29	1150420612	• SCREW	2				
30	1654352067	• SPONGE	1				sold by the meter
31	1654356100	• SPONGE	1				sold by the meter
33	1654356030	• SPONGE	1				sold by the meter
34	1654356028	• SPONGE	3				sold by the meter
36	1654352023	• SPONGE	1				sold by the meter
38	1654356017	• SPONGE	5				sold by the meter
39	1654356011	• SPONGE	2				sold by the meter
44	1100040816	• BOLT	23				
45	1140020008	• WASHER, spring	23				
46	0003608252	• WASHER	23				

J2e051

HEAD REST

Item	Part number	Description	Q'ty	Chan.	Serial No.	Serv.	Remarks
		REST ASSY, head (fabric)					X03734-09000-0
		REST ASSY, head (PVC)					X03734-10000-0
1	<b>1914100075</b>	REST, head (fabric)	1			M	
	<b>1914100076</b>	REST, head (PVC)	1			M	
	<b>G4e070</b>						

Item	Part number	Description	CAB (4/7) (door)			Remarks
			Q'ty	Chan.	Serial No.	
0-1	0568652800	DOOR ASSY	1			X05686-52800-0
1	0568652810	• DOOR	1			
2	0568652802	• GLASS	1			
3	0568623300	• COVER	1			
4	0568630900	• PLATE	1			
5	0568630800	• ROD	1			
6	0568630600	• ROD	1			
7	0568623400	• CONTROL ASSY	1			
8	0568623500	• COLLAR	2			
9	0568623600	• SEAL	2			
10	1654005600	• HANDLE	1			
11	0068620400	• LOCK ASSY	1			
12	1653611527	• LOCK	1			
12-1	1700100019	• KEY	1			
13	1654005900	• STRIKER	1			
14	1654005500	• HANDLE	1			
15	1654005800	• BASE	1			
16	1654005700	• ESCUTCHEON	1			
17	1654615260	• DAM	1			sold by the meter
18	1654615145	• DAM	1			sold by the meter
19	1652711432	• CLIP	4			
20	0068621500	• SNAP	2			
21	0398610900	• SNAP	2			
22	1652053200	• GROMMET	2			
23	1100090612	• BOLT	3			
24	1150410612	• SCREW	4			
25	1120790516	• SCREW	1			
26	1131283006	• NUT	1			
27	1130090010	• NUT	4			
28	1654011706	• WASHER	4			
	L5e280					

**HEATER (1/3) (15820004-15820723)**

Item	Part number	Description	Q'ty	Chan.	Serial No.	Serv.	Remarks
		HEATER ASSY					X03945-13400-5
3	0564531730	BRACKET	1				
5	0394513410	COVER	1		15820004~15820123		
	0394513420	COVER ASSY	1	(H)	15820124~		
5-1	0394617660	· COVER	1		15820124~		
5-2	1654606036	· RUBBER	1		15820124~		sold by the meter
5-3	0564531820	· COVER	1		15820124~		
5-4	1100040816	· BOLT	2		15820124~		
5-5	1140020008	· WASHER, spring	2		15820124~		
5-6	1141110008	· WASHER	2		15820124~		
6	0564630860	BRACKET	1				
11	1911509410	HEATER UNIT	1				
12	1501910303	CONNECTOR	1				
14	1911502200	ADAPTOR	1				
15	1911502100	VALVE	1				
16	1911500500	CLAMP	6				
17	0564631230	BRACKET	1				
18	1100040816	BOLT	17				
19	1140020008	WASHER, spring	18				
20	1141110008	WASHER	18				
21	0394211020	COLLAR	1				
22	0007300018	CLAMP	1				
23	0564631220	URETHANE	1				
24	0097210300	GUARD	1				
25	1911511860	HOSE	1				
26	1911515135	HOSE	1				
27	1911501820	HOSE	1				
28	1531345030	PROTECTOR	1				sold by the meter
30	1531325012	PROTECTOR	1				sold by the meter
34	1531325075	PROTECTOR	1				sold by the meter
35	1531325050	PROTECTOR	1				sold by the meter
36	1653916022	TRIM	1				sold by the meter
37	1100040850	BOLT	1				
39	1911506008	VALVE, water	1				

J2e102

AIR CONDITIONER (1/7) (compressor)							
Item	Part number	Description	Q'ty	Chan.	Serial No.	Serv.	Remarks
		CONDITIONER ASSY, air					X03946-17000-1
		CONDITIONER ASSY, air (with 3rd aux. lines)					X03946-17050-1
0-1	X *****	COMPRESSOR ASSY	1				X03946-16100-3
1	0394616110	▪ BRACKET	1				
2	0564630650	▪ BOSS	1		15820004~15820128		M10
	0564630670	▪ BOSS	1		15820129~		M12
3	0394614710	▪ PULLEY	1				
4	0564630640	▪ SHAFT	1		15820004~15820128		M10
	0564630660	▪ SHAFT	1		15820129~		M12
5	0394616150	▪ BRACKET	1				
6	0564620110	▪ BOSS	2				
8	1911506010	▪ COMPRESSOR	1				
9	1911505700	▪ PULLEY	1				
10	1621071056	▪ V-BELT	1				
12	1100040820	▪ BOLT	3				
13	1100040825	▪ BOLT	6				
14	1100240885	▪ BOLT	1				
15	1100041030	▪ BOLT	4				
16	1110041025	▪ BOLT	4				
17	1140020008	▪ WASHER, spring	11				
18	1140020010	▪ WASHER, spring	8				
20	1141110008	▪ WASHER	10				
21	1141110010	▪ WASHER	8				
23	1130040008	▪ NUT	1				
24	1919055000	▪ GAS	8				100g
26	1110041020	▪ SCREW, cap	3				
27	1140420010	▪ WASHER, spring	7				
28	0394616160	▪ GUARD, fan	1				
29	1111820825	▪ SCREW, cap	2				
	J2e121						

CLICK HERE TO **DOWNLOAD** THE COMPLETE MANUAL

- Thank you very much for reading the preview of the manual.
- You can download the complete manual from: [www.heydownloads.com](http://www.heydownloads.com) by clicking the link below



- Please note: If there is no response to CLICKING the link, please download this PDF first and then click on it.

CLICK HERE TO **DOWNLOAD** THE COMPLETE MANUAL

**AIR CONDITIONER (5/7) (air conditioner unit)**

Item	Part number	Description	Q'ty	Chan.	Serial No.	Serv.	Remarks
		CONDITIONER ASSY, air					X03946-17000-1
		CONDITIONER ASSY, air					X03946-17050-1
		(with 3rd aux. lines)					
0-3	X *****	UNIT ASSY	1				X03946-17600-7
5	0394617610	· COVER ASSY	1				
5-1	0394617660	· · COVER	1				
5-2	0394617611	· · INSULATOR	1				
5-3	0564631122	· · INSULATOR	1				
5-4	0564631123	· · INSULATOR	1				
5-5	0564631124	· · INSULATOR	1				
5-6	1654304017	· · SPONGE	4				sold by the meter
5-7	0564531820	· · COVER	1				
5-8	1100040816	· · BOLT	2				
5-9	1140020008	· · WASHER, spring	2				
5-10	1141110008	· · WASHER	2				
5-11	1654606036	· · RUBBER	1				sold by the meter
11	0564631100	· UNIT ASSY, air conditioner	1		15820004~15820147		
	0564631240	· UNIT ASSY, air conditioner	1		15820148~		
11-1	1911509230	· UNIT, air conditioner	1				see page (7/7)
11-2	0564631101	· · INSULATOR	1		15820004~15820147		
	0564631113	· · INSULATOR	1		15820148~		
11-3	0564631102	· · INSULATOR	1				
11-4	0564631103	· · INSULATOR	1		15820004~15820147		
	0564631115	· · INSULATOR	1		15820148~		
11-5	0564631104	· · INSULATOR	1		15820004~15820147		
	0564631116	· · INSULATOR	1		15820148~		
11-6	0564631105	· · INSULATOR	1		15820004~15820147		
	0564631117	· · INSULATOR	1		15820148~		
11-7	0564631106	· · INSULATOR	1				
11-8	0564631107	· · URETHANE	1				
11-9	0564631108	· · URETHANE	1		15820004~15820147		
	0564631114	· · URETHANE	1		15820148~		
11-10	0564631109	· · INSULATOR	1				
11-11	0564631110	· · INSULATOR	1				
11-12	0564631111	· · INSULATOR	1				
11-13	0564631112	· · INSULATOR	1				
11-14	1653916022	· · TRIM	1				sold by the meter
	J2e172						

**BOOM (2/2)**

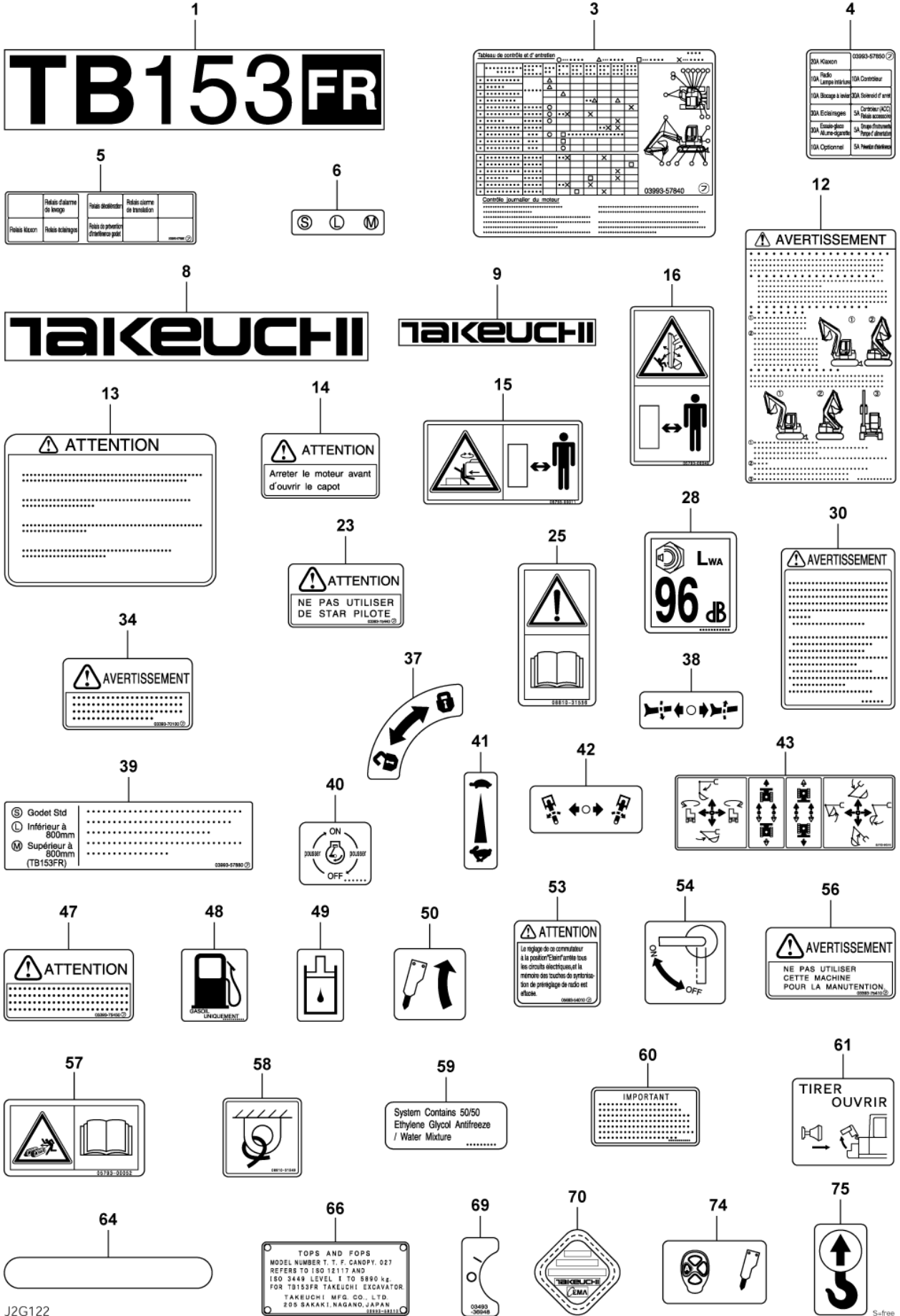
Item	Part number	Description	Q'ty	Chan.	Serial No.	Serv.	Remarks
		BOOM ASSY	1				X03960-16600-2
4	0396015230	PIPE (R.H.)	1				
5	0396015240	PIPE	1				
6	0396015290	PIPE (R.H.)	1				
7	0396015310	PIPE (L.H.)	1				
8	0396014310	PIPE (R.H.)	1				
9	0396014320	PIPE (L.H.)	1				
10	0447310602	CLAMP	2				
11	1531419003	PROTECTOR	2				sold by the meter
12	0396007480	CLAMP	4				
14	0397310450	ARM	2				
14-5	1333001515	• BUSHING	4				
15	0397310470	ARM	2				
15-5	1333001515	• BUSHING	4				
16	0397310550	LINK, hose	2				
16-5	1333001515	• BUSHING	8				
17	0396011560	RUBBER	4				
18	0396011570	HOLDER	4				
19	0396007560	SHAFT	4				
20	0397310570	SHAFT	4				
40	0396015270	CLAMP	4				
52	0396011820	HOSE ASSY	2				18015-40200
53	0396011830	HOSE ASSY	2				18015-40180
54	0396011840	HOSE ASSY	2				18015-10195
55	0396014330	HOSE ASSY	2				
56	1100040616	BOLT	8				
57	1120800816	SCREW	8				
58	1100040835	BOLT	10				
61	1100040830	BOLT	4				
62	1100141000	BOLT	4				
67	1140020006	WASHER, spring	8				
68	1140020008	WASHER, spring	14				
69	1140020010	WASHER, spring	4				
72	1141110010	WASHER	6				
78	0356015500	WASHER	2				
79	0007300061	CLAMP	2				
82	1652201008	BAND	1				
	<b>J2f023</b>						

ARM								
Item	Part number	Description	Q'ty	Chan.	Serial No.	Serv.	Remarks	
		ARM ASSY					X03961-17700-6	
		ARM ASSY (with 3rd aux. lines)					X03961-18000-6	
		LONG ARM ASSY					X03961-17400-5	
		LONG ARM ASSY (with 3rd aux. lines)					X03961-18100-5	
1	0396117800	ARM	1					
	0396117950	LONG ARM	1					
1-20	0002400040	• BUSHING	4					
1-21	0002400050	• BUSHING	2					
1-22	1432200045	• SEAL, dust	4					
1-23	1432200050	• SEAL, dust	2					
2	0396111300	LINK, bucket	1					
2-15	0002400040	• BUSHING	2					
2-16	0002100027	• BUSHING	2					
2-17	1432200045	• SEAL, dust	6					
3	0396114300	LINK, guide	1					
	0396118010	LINK, guide	1					with 3rd aux. lines
4	0396114400	LINK, guide	1					
	0396118020	LINK, guide	1					with 3rd aux. lines
5	0001524501	PIN	2					
6	0001794012	PIN	1					
7	0001794013	PIN	1					
8	0001605155	PIN	1					
9	0001604150	PIN	1					
10	0003900020	WASHER	2					
11	1103041295	BOLT	1					
12	1103041085	BOLT	3					
13	1130240012	NUT	2					
14	1130240010	NUT	6					
15	1560001000	FITTING, grease	4					
16	1560001675	FITTING, grease	1					
17	1801742100	HOSE ASSY	2					
	1801742125	HOSE ASSY	2					long arm
18	1132630030	NUT	2					
19	1210010655	PIN, split	2					
20	1900075800	CYLINDER, bucket	1					
22	0003600154	SHIM	AR					t=1.0mm f $\phi$ 85
23	0003600161	SHIM	AR					t=1.0mm f $\phi$ 75
24	1432900046	O-RING	2					
25	1432900008	O-RING	2					
26	0003600055	SHIM	AR					t=0.2mm f $\phi$ 76
27	0003600056	SHIM	AR					t=0.5mm f $\phi$ 76
28	0003600060	SHIM	AR					t=0.2mm f $\phi$ 82
29	0003600061	SHIM	AR					t=0.5mm f $\phi$ 82
30	1652533016	CAP	12					
	J2f062							

**3RD AUXILIARY LINE (available only with 2nd aux. lines)**

Item	Part number	Description	Q'ty	Chan.	Serial No.	Serv.	Remarks
	<b>0397324400</b>	LINE ASSY, 3rd auxiliary	1				X03973-24400-3
	<b>0397324500</b>	LINE ASSY, 3rd auxiliary (long arm)	1				X03973-24500-3
1	<b>0397324450</b>	▪ PIPE (R.H.)	1				
2	<b>0397324460</b>	▪ PIPE (L.H.)	1				
3	<b>0577307100</b>	▪ CLAMP	4				
4	<b>0567346430</b>	▪ ADAPTOR (R.H.)	1				
5	<b>0567346440</b>	▪ ADAPTOR (L.H.)	1				
6	<b>1501750002</b>	▪ PLUG	6				
	<b>1420010110</b>	▪ ▪ O-RING	1				
7	<b>0397324440</b>	▪ HOSE ASSY	2				18010-22180
8	<b>1801032083</b>	▪ HOSE ASSY	2				
	<b>1801032104</b>	▪ HOSE ASSY	2				long arm
9	<b>1515100110</b>	▪ ELBOW	2				
	<b>1420010110</b>	▪ ▪ O-RING	1				
10	<b>1100040816</b>	▪ BOLT	4				
11	<b>1100040830</b>	▪ BOLT	4				
12	<b>1140020008</b>	▪ WASHER, spring	8				
13	<b>0007300064</b>	▪ CLAMP	1				
	<b>J2f092</b>						





DECAL (canopy)							
Item	Part number	Description	Q'ty	Chan.	Serial No.	Serv.	Remarks
34	0339369100	• DECAL (German)	1				
34	0339370100	• DECAL (French)	1				
34	0339371100	• DECAL (Italian)	1				
34	0399355820	• DECAL (Spanish)	1				
34	0329365506	• DECAL (Russian)	1				
35	X *****	• DECAL	1				
37	0329360100	• DECAL	1				
38	0359325190	• DECAL	1				
39	0399357680	• DECAL (English)	1				
39	0399357780	• DECAL (German)	1				
39	0399357880	• DECAL (French)	1				
39	0399357980	• DECAL (Italian)	1				
39	0399358080	• DECAL (U. S. TAKEUCHI)	1				
39	0399358180	• DECAL (Spanish)	1				
39	0399360604	• DECAL (Russian)	1				
40	0569335060	• DECAL (English)	1				
40	0569327800	• DECAL (German)	1				
40	0569328800	• DECAL (French)	1				
40	0569329800	• DECAL (Italian)	1				
40	0569348500	• DECAL (Spanish)	1				
40	0579300608	• DECAL (Russian)	1				
41	0359317200	• DECAL	1				
42	0329360060	• DECAL	1				
43	0579300015	• DECAL	1				
47	0339375050	• DECAL (English)	1				
47	0339375250	• DECAL (German)	1				
47	0339375450	• DECAL (French)	1				
47	0339375650	• DECAL (Italian)	1				
47	0339375850	• DECAL (Spanish)	1				
47	0399356005	• DECAL (Russian)	1				
48	0359306600	• DECAL (English)	1				
48	0339375260	• DECAL (German)	1				
48	0339375460	• DECAL (French)	1				
48	0339375660	• DECAL (Italian, Spanish)	1				
48	0579300603	• DECAL (Russian)	1				
49	0359306700	• DECAL	1				
50	0359325220	• DECAL	1				
53	0569353810	• DECAL (English)	1				
53	0569353910	• DECAL (German)	1				
53	0569354010	• DECAL (French)	1				
53	0569354110	• DECAL (Italian)	1				
53	0569354310	• DECAL (Spanish)	1				
53	0569357903	• DECAL (Russian)	1				
54	0399351210	• DECAL	1				
56	0359347010	• DECAL (English)	1				except for U.K. TAKEUCHI
56	0339375210	• DECAL (German)	1				
56	0339375410	• DECAL (French)	1				
56	0339375610	• DECAL (Italian)	1				
56	0339375810	• DECAL (Spanish)	1				
56	0579300609	• DECAL (Russian)	1				
57	0579300052	• DECAL	2				
58	0881031549	• DECAL	4				
59	0359313900	• DECAL	1				
60	0339376240	• DECAL (English)	1				
60	0339376340	• DECAL (German)	1				
60	0339379440	• DECAL (French)	1				
60	0339379540	• DECAL (Italian)	1				
60	0339379640	• DECAL (Spanish)	1				
60	0579300613	• DECAL (Russian)	1				
61	0569326400	• DECAL (English)	1				
61	0569327400	• DECAL (German)	1				
61	0569328400	• DECAL (French)	1				
61	0569329400	• DECAL (Italian)	1				
61	0569348400	• DECAL (Spanish)	1				
61	0579300607	• DECAL (Russian)	1				
62	X *****	• SCREW	8				
64	0569358070	• DECAL	2				
66	X *****	• DECAL	1				

**DECAL (selecter valve, canopy)**

Item	Part number	Description	Q'ty	Chan.	Serial No.	Serv.	Remarks
0	<b>0399359700</b>	DECAL SET (English)	1				X03993-59700-1
	<b>0399359800</b>	DECAL SET (German)	1				X03993-59800-1
	<b>0399359900</b>	DECAL SET (Spanish)	1				X03993-59900-1
	<b>0399361400</b>	DECAL SET (French)	1				X03993-61400-1
	<b>0399361500</b>	DECAL SET (Italian)	1				X03993-61500-1
1	<b>0359332200</b>	• DECAL	1				ISO-JCB
2	<b>0569349702</b>	• DECAL	1				JCB
3	<b>0359332300</b>	• DECAL	1				English
	<b>0359332400</b>	• DECAL	1				German
	<b>0329364020</b>	• DECAL	1				Spanish
	<b>0399361101</b>	• DECAL	1				French
	<b>0399361201</b>	• DECAL	1				Italian
	<b>J2g221</b>						

**BLOCK ASSY; No. 1**

Item	Part number	Description	Q'ty	Chan.	Serial No.	Serv.	Remarks
0	<b>1901043213</b>	BLOCK ASSY; No.1	1				bucket
1	<b>1901043266</b>	• CAP	2				
2	<b>1901029754</b>	• HOLDER, spring	2				
3	<b>1901043231</b>	• HOLDER, spring	2				
4	<b>1901043256</b>	• SPRING	2				
5	<b>1901043226</b>	• PLUNGER	1				
6	<b>1901043227</b>	• PLUNGER	1				
7	<b>1901043257</b>	• SPRING	2				
8	<b>1901043271</b>	• PLUG	2				
9	<b>1901043282</b>	• O-RING	2				
10	<b>1420500240</b>	• O-RING	2				
11	<b>1110020618</b>	• SCREW, cap	4				

**J2h030**

**BLOCK ASSY; No. 6**

Item	Part number	Description	Q'ty	Chan.	Serial No.	Serv.	Remarks
0	<b>1901043218</b>	BLOCK ASSY; No.6	1				swing
1	<b>1901043266</b>	• CAP	2				
2	<b>1901029754</b>	• HOLDER, spring	2				
3	<b>1901043231</b>	• HOLDER, spring	2				
4	<b>1901043256</b>	• SPRING	2				
5	<b>1901043226</b>	• PLUNGER	1				
6	<b>1901043257</b>	• SPRING	1				
7	<b>1901043271</b>	• PLUG	1				
8	<b>1901043282</b>	• O-RING	1				
9	<b>1420500240</b>	• O-RING	2				
10	<b>1110020618</b>	• SCREW, cap	4				
11	<b>1420100700</b>	• O-RING	1				
	<b>J2h081</b>						

**BLOCK ASSY; No. 11 (with 2nd aux. lines)**

Item	Part number	Description	Q'ty	Chan.	Serial No.	Serv.	Remarks
0	<b>1901043319</b>	BLOCK ASSY; No.11	1				auxiliary 2
1	<b>1901043266</b>	• CAP	2				
2	<b>1901029754</b>	• HOLDER, spring	2				
3	<b>1901043231</b>	• HOLDER, spring	2				
4	<b>1901043256</b>	• SPRING	2				
5	<b>1901043226</b>	• PLUNGER	1				
6	<b>1901043257</b>	• SPRING	1				
7	<b>1901043271</b>	• PLUG	1				
8	<b>1901043282</b>	• O-RING	1				
9	<b>1420500240</b>	• O-RING	2				
10	<b>1110020618</b>	• SCREW, cap	4				
11	<b>1420100700</b>	• O-RING	1				
	<b>J2h131</b>						

**PROPORTIONAL VALVE**

Item	Part number	Description	Q'ty	Chan.	Serial No.	Serv.	Remarks
0	<b>1901738400</b>	VALVE, proportional	1				
1	<b>1901738460</b>	· VALVE ASSY, proportional	2				
2	<b>1100050512</b>	· BOLT	4				
	<b>K3h370</b>						

**HANDLE (with 3 switches)**

Item	Part number	Description	Q'ty	Chan.	Serial No.	Serv.	Remarks
0	<b>1901741210</b>	HANDLE ASSY	1				
1	<b>1122400312</b>	▪ SCREW	4				
2	<b>1901741211</b>	▪ CASE	1				
3	<b>1901741216</b>	▪ BUTTON	2				
4	<b>1901740402</b>	▪ BUTTON	1				
5	<b>1901741218</b>	▪ BRACKET	1				
6	<b>1901740404</b>	▪ CLIP	1				
7	<b>1122400306</b>	▪ SCREW	2				
8	<b>1901740408</b>	▪ SWITCH	3				
9	<b>1901740412</b>	▪ CAP	2				
10	<b>1901740446</b>	▪ RECEPTACLE	1				
11	<b>1901740447</b>	▪ WEDGE	1				
12	<b>1901740413</b>	▪ PIN	5				
13	<b>1901741263</b>	▪ PIN, BLANKING	3				
14	<b>1901740414</b>	▪ PROTECTOR	1				
15	<b>1901740415</b>	▪ BAND	1				
	<b>L3h500</b>						

**BOOM CYLINDER**

Item	Part number	Description	Q'ty	Chan.	Serial No.	Serv.	Remarks
0	<b>1900092200</b>	CYLINDER ASSY	1				boom
0-1	<b>1900092299</b>	• KIT, seal	1				
1	X <b>1900047433</b>	• • PACKING, rod	1				
2	X <b>1900071532</b>	• • SEAL, dust	1				
3	X <b>1420111050</b>	• • O-RING	2				
4	X <b>1900092227</b>	• • RING, back-up	1				
5	X <b>1420101100</b>	• • O-RING	1				
6	X <b>1900083527</b>	• • RING, back-up	1				
7	X <b>1900047431</b>	• • PACKING, piston	1				
8	<b>1900092298</b>	• TUBE KIT	1				
9	<b>1900063702</b>	• • BUSHING	1				
10	<b>1900092297</b>	• ROD KIT, piston	1				
11	<b>1900092220</b>	• • BUSHING	1				
12	<b>1900092203</b>	• COVER, rod	1				
13	<b>1900092202</b>	• BUSHING	1				
14	<b>1900092208</b>	• HOLDER	1				
15	<b>1900092216</b>	• RING, cushion	2				
16	<b>1900092228</b>	• COLLAR	1				
17	<b>1900092205</b>	• CUSHION, rod	1				
18	<b>1900092207</b>	• PISTON	1				
19	<b>1900091824</b>	• RING, wear	2				
20	<b>1900092209</b>	• NUT	1				
21	<b>1121041010</b>	• SET-SCREW	1				
22	<b>1390020400</b>	• BALL, steel	1				
23	<b>1900083533</b>	• SEAL, dust	4				
24	<b>1900092210</b>	• PIPE	1				
25	<b>1100041016</b>	• BOLT	1				
26	<b>1141110010</b>	• WASHER	1				
27	<b>1560001000</b>	• FITTING, grease	1				
28	<b>1560001900</b>	• FITTING, grease	1				

J1h192

**TRAVEL MOTOR (1/3) (reduction sec.)**

Item	Part number	Description	Q'ty	Chan.	Serial No.	Serv.	Remarks
0	<b>1903124800</b>	MOTOR ASSY, travel	1				
0-1	<b>1903119599</b>	• KIT, seal	1				
1	X <b>1420300264</b>	• • O-RING	1				
2	X <b>1420010140</b>	• • O-RING	2				
3	X <b>1420010080</b>	• • O-RING	1				
4	X <b>1420010110</b>	• • O-RING	2				
0-2	<b>1903124898</b>	• KIT, body	1				
0-3	<b>1903124897</b>	• KIT, carrier2	1				
7	<b>1220000035</b>	• • RING, snap	4				
9	<b>1903119502</b>	• COVER	1				
10	<b>1903124806</b>	• GEAR	4				
11	<b>1903124809</b>	• GEAR	1				
12	<b>1903124810</b>	• RING	4				
13	<b>1903124812</b>	• WASHER	1				
14	<b>1903119513</b>	• RING, snap	1				
15	<b>1903124814</b>	• PLATE	4				
16	<b>1903124815</b>	• PLATE	1				
17	<b>1903118916</b>	• RING	1				
18	<b>1903124817</b>	• SEAL, floating	2				
19	<b>1903124820</b>	• BEARING	136				
20	<b>1903119523</b>	• RING, snap	1				
21	<b>1903118932</b>	• PLUG	2				
22	<b>1903118933</b>	• PLUG	1				
23	<b>1903901930</b>	• PLUG	2				
0-4	<b>1903907300</b>	• MOTOR, hydraulic	1				
	<b>K3h451</b>						

**HYDRAULIC PUMP (1/3)**

Item	Part number	Description	Q'ty	Chan.	Serial No.	Serv.	Remarks
0	1902022600	PUMP, hydraulic	1				
0-1	1902903400	· SHAFT ASSY	1				
0-2	1902903498	· · CASE ASSY, seal	1				
1	X *****	· · · CASE, seal	1				
2	X *****	· · · SEAL, dust	1				
3	1902903401	· · SHAFT	1				
4	1902903403	· · BEARING	1				
5	1220000028	· · RING, snap	1				
6	1220000030	· · RING, snap	1				
7	1420300147	· · O-RING	1				
8	1221000072	· · RING, snap	1				
0-3	1902017098	· HANGER ASSY	1				
0-4	X *****	· · HANGER ASSY	1				
0-5	1902906798	· · · HANGER SUB ASSY	1				
9	X *****	· · · · HANGER	1				
10	X *****	· · · · PIECE, distance	1				
11	X *****	· · · · BEARING	2				
12	1902903501	· · · PLATE	1				
13	1110020616	· · · SCREW, cap	4				
14	1420300144	· · · O-RING	1				
15	X *****	· · HOUSING	1				
0-6	1902906800	· ROTARY ASSY	1				
0-7	1902906900	· COVER ASSY	1				
0-8	1902906998	· · COVER SUB ASSY	1				
16	X *****	· · · COVER	1				
17	X *****	· · · PIN	2				
18	X *****	· · · PLUG	3				
19	X *****	· · · BEARING	1				
20	X *****	· · · PLUG	3				
21	1902906902	· · PLATE	1				
22	1110021230	· · SCREW, cap	3				
23	1420300168	· · O-RING	1				
24	1902903602	· · O-RING	4				
25	1902903603	· · ORIFICE	3				
26	1902900964	· · PLUG	2				
27	1420010080	· · O-RING	3				
28	1110021255	· · SCREW, cap	1				
29	1901800050	· VALVE, relief	1				
30	1902903602	· · O-RING	1				
31	1902017011	· VALVE	1				
32	1901034371	· PLUG					
33	1902017099	· KIT, seal 1	1				
34	X *****	· · SEAL, dust	1				
35	1420300147	· · O-RING	1				
36	1420300144	· · O-RING	1				
37	1420300168	· · O-RING	1				
38	1902903602	· · O-RING	4				
39	1420010080	· · O-RING	3				
40	1902903602	· · O-RING	1				

J2h201

**HYDRAULIC PUMP (3/3) (for air conditioner)**

Item	Part number	Description	Q'ty	Chan.	Serial No.	Serv.	Remarks
0	<b>1902022000</b>	PUMP, hydraulic	1				
0-14	<b>1902911800</b>	· PUMP ASSY, gear	1				
0-15	<b>1902911898</b>	· · KIT, body	1				
1	X *****	· · · CASE	1				
2	X *****	· · · GEAR	1				
3	X *****	· · · GEAR	1				
4	X *****	· · · PLATE, side	2				
5	<b>1902909310</b>	· · PLATE	2				
6	<b>1902901609</b>	· · GUIDE	2				
0-16	<b>1902907400</b>	· · PUMP ASSY, sub gear	1				
0-17	<b>1902907498</b>	· · · KIT, body	1				
7	X *****	· · · · FRAME	1				
8	X *****	· · · · HOUSING	1				
9	X *****	· · · · GEAR	1				
10	X *****	· · · · GEAR	1				
11	X *****	· · · · PLATE, side	1				
12	X *****	· · · · METAL	4				
13	<b>1902905907</b>	· · · RING, back-up	1				
14	<b>1902900716</b>	· · · PIN	2				
15	<b>1902905908</b>	· · · RING	1				
16	<b>1902905909</b>	· · · RING	1				
17	<b>1221000012</b>	· · · RING, snap	1				
18	<b>1110020840</b>	· · · SCREW, cap	4				
19	<b>1420300138</b>	· · · O-RING	1				
20	<b>1902907212</b>	· · COUPLING	1				
21	<b>1902907213</b>	· · BUSHING	1				
22	<b>1902907214</b>	· · O-RING	2				
23	<b>1420310014</b>	· · O-RING	1				
24	<b>1902901611</b>	· · RING	1				
25	<b>1902903714</b>	· · RING	2				
26	<b>1110021090</b>	· · SCREW, cap	4				
27	<b>1110021025</b>	· · SCREW, cap	2				
28	<b>1902900716</b>	· · PIN	2				
29	<b>1420300018</b>	· · O-RING	1				
30	<b>1420300023</b>	· · O-RING	1				
31	<b>1420300128</b>	· · O-RING	1				
32	<b>1420010100</b>	· · O-RING	1				
33	<b>1902911599</b>	· KIT, seal	1				
34	<b>1902905907</b>	· · RING, back-up	1				
35	<b>1902905908</b>	· · RING	1				
36	<b>1420300138</b>	· · O-RING	1				
37	<b>1902907214</b>	· · O-RING	2				
38	<b>1420310014</b>	· · O-RING	1				
39	<b>1902901611</b>	· · RING	1				
40	<b>1902903714</b>	· · RING	2				
41	<b>1420300018</b>	· · O-RING	1				
42	<b>1420300023</b>	· · O-RING	1				
43	<b>1420300128</b>	· · O-RING	1				
44	<b>1420010100</b>	· · O-RING	1				

**J2h250**

REF NO.	PARTS NO.	Description	Q'ty	I	R	"óll
1	Y129601-11700	HED ASSY, CYLINDER	1			
5	Y120130-11860	GUIDE, VALVE	4		(1)	İÖ³İPËYÄP½
7	Y129150-11810	GUIDE, VALVE	4		(1)	İÖ³İPËYÄP½
9	Y27241-400000	PLUG 40	2			
10	Y129004-11130	VALVE, INTAKE	4			
11	Y129100-11112	VALVE, EXHAUST	4			
12	Y129795-11120	SPRING, VALVE	8			
13	Y129795-11180	RETAINER, SPRING	8			
14	Y27310-080001	COTTER 8	8			
16	Y121400-11340	SEAL, VALVE STEM	4			
17	Y124460-11340	SEAL, VALVE STEM	4			
18	Y129150-11370	CAP, VALVE	8			
19	Y119802-11870	PROTECTOR, NOZZLE	4			
20	Y119625-11880	SEAT, NOZZLE	4			
21	Y129004-11900	RETAINER, NOZZLE	4			
22	Y22351-060012	SPRING PIN 6X12	2			
23	Y120270-54410	WASHER	4			
24	Y26106-080352	BOLT M 8X 35 PLATED	4			
25	Y129601-11241	SHAFT ASSY, ROCKER	1			
26	Y119802-11260	SUPPORT, ROCKER ARM	2			
27	Y119802-11270	SUPPORT, ROCKER ARM	3			
28	Y129150-11280	SPRING	4			
29	Y129601-11251	SHAFT	1			
31	Y129004-11650	ARM ASSY, ROCKER	8			
32	Y129150-11230	SCREW, VALVE	8			
34	Y129150-11750	NUT M8XP1.0	8			
35	Y26226-080182	STUD M 8X 18 PLATED	3			
36	Y26106-080252	BOLT M 8X 25 PLATED	3			
37	Y26106-080502	BOLT M 8X 50 PLATED	7			
38	Y129601-11350	BONNET ASSY	1			
39	Y129004-03010	PLATE, BAFFLE	1			
40	Y129150-03070	BAFFLE, BREATHER	1			
41	Y119802-03110	PLATE, DIAPHRAGM	1			
42	Y119802-03121	COVER, DIAPHRAGM	1			
43	Y119802-03130	DIAPHRAGM	1			
44	Y119802-03141	SPRING, DIAPHRAGM	1			
47	Y129601-11310	GASKET, COVER	1			
48	Y22857-500100	SCREW 5X10, TAPPING	4			
49	Y22857-500100	SCREW 5X10, TAPPING	4			
50	Y124160-01751	COVER, FILLER	1			
51	Y24311-000320	O-RING 1A P-32.0	1			
52	Y124160-11360	KNOB	3			
53	Y24311-000120	O-RING 1A P 12.0	3			
54	Y129900-07900	LIFTER, ENGINE	2			
55	Y26106-080162	BOLT M 8X 16 PLATED	4			
56	Y977770-1207F	GASKET, LIQUID	1		(2)	µİB¼@Y İPËYÄP½

LO $\frac{1}{2}$ ÅÑ LUB.OIL SYSTEM

REF NO.	PARTS NO.	Description	Q'ty
1	Y129004-34802	DIPSTICK, LUB.OIL	1
2	Y121520-34810	GUIDE, DIPSTICK	1
3	Y129150-35042	GASKET, (NON-ASB.)	1
4	Y129436-35091	PIPE ASSY, LUB. OIL	1
5	Y26106-080352	BOLT M 8X 35 PLATED	2
6	Y129150-35111	GASKET, (NON-ASB.)	1
7	Y129150-35152	FILTER 80X80L	1
8	Y119802-35100	BRACKET ASSY, FILTER	1
9	Y119802-35110	• BRACKET, FILTER	1
10	Y129100-35140	• STUD	1
11	Y26106-080202	BOLT M 8X 20 PLATED	3
12	Y114250-39450	SWITCH,(0.5KG)L.O.	1
13	Y124160-39140	BOLT 10, PIPE JOINT	1
14	Y119802-39450	PIPE ASSY, LUB. OIL	1
15	Y129005-59830	BOLT ASSY, JOINT	1
16	Y23857-030000	• JOINT BOLT 3	1
17	Y22190-080002	• SEAL WASHER 8S	1
18	Y22190-080002	SEAL WASHER 8S	1
19	Y22190-100002	SEAL WASHER 10S	2
20	Y26366-060002	NUT M 6	1

CLICK HERE TO **DOWNLOAD** THE COMPLETE MANUAL

- Thank you very much for reading the preview of the manual.
- You can download the complete manual from: [www.heydownloads.com](http://www.heydownloads.com) by clicking the link below



- Please note: If there is no response to CLICKING the link, please download this PDF first and then click on it.

CLICK HERE TO **DOWNLOAD** THE COMPLETE MANUAL