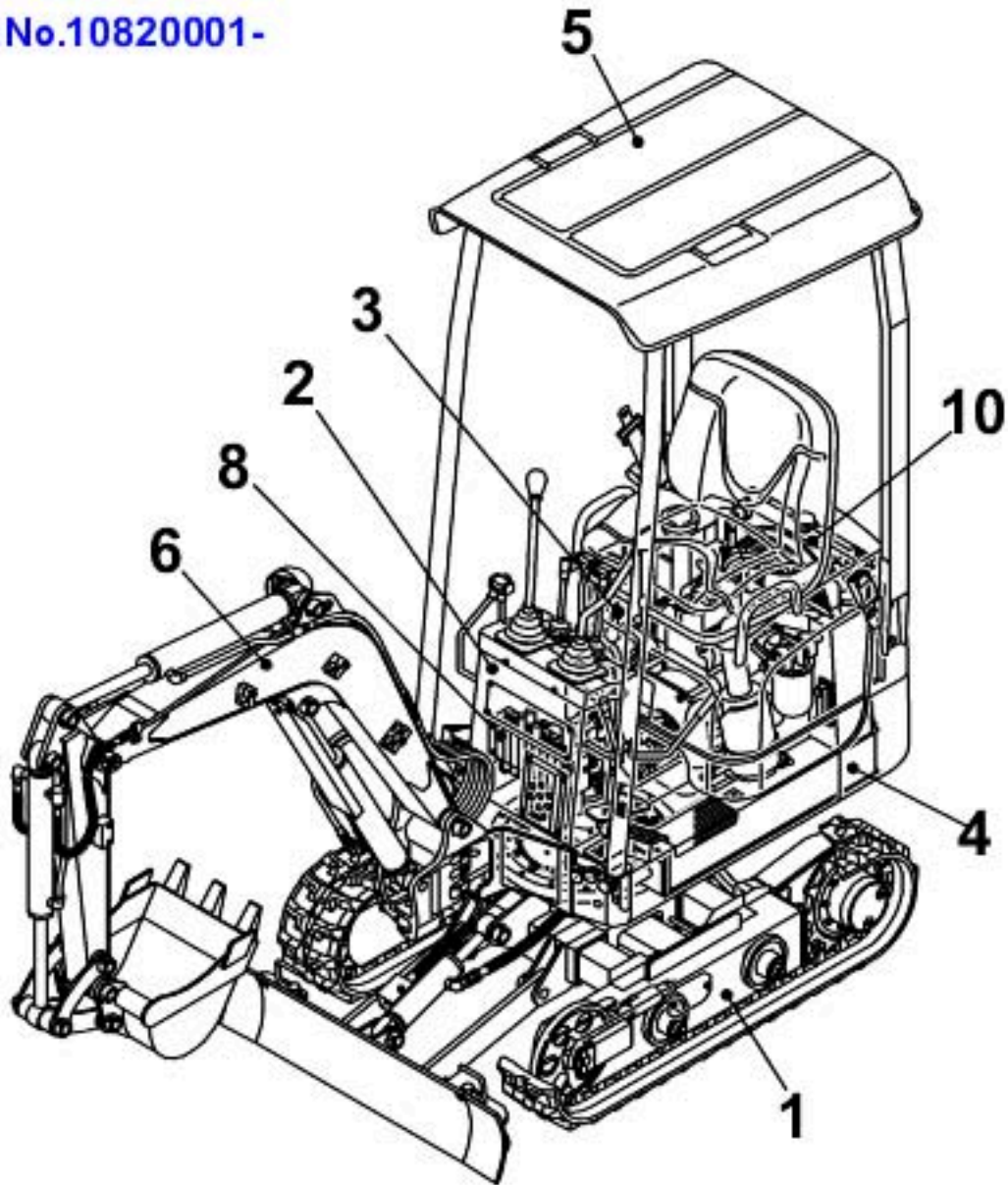


TB108

BookNo.BB5Z104-1
SerialNo.10820001-



TAKEUCHI

CLICK HERE TO **DOWNLOAD** THE COMPLETE MANUAL

- Thank you very much for reading the preview of the manual.
- You can download the complete manual from: www.heydownloads.com by clicking the link below



- Please note: If there is no response to CLICKING the link, please download this PDF first and then click on it.

CLICK HERE TO **DOWNLOAD** THE COMPLETE MANUAL

Item	Part number	Description	FRONT IDLER			Remarks
			Q'ty	Chan.	Serial No.	
		IDLER ASSY, front				X04114-01000-3
0-1	0411401100	IDLER ASSY	2			
1	0411400100	· IDLER	1			
2	0411401200	· SHAFT	1			
3	1431202547	· SEAL	2			
4	1300006005	· BEARING	2			
5	1221000047	· RING, retaining	2			
6	1501810001	· PLUG	1			
10	0411401300	YOKE	2			
11	0411401400	CLAMP	4			
12	1110040635	SCREW, cap	8			
13	1140020006	WASHER, spring	8			
	B5a041					

DOZER BLADE

Item	Part number	Description	Q'ty	Chan.	Serial No.	Serv.	Remarks
		BLADE ASSY, dozer					X03263-53400-0
1	X *****	BLADE, dozer	1				
1-1	0326353200	• BLADE, dozer	1				
1-1-13	0416304220	• • BUSHING	2				
1-2	0326353150	• PLATE (R.H.)	1				
1-3	0326353160	• PLATE (L.H.)	1				
1-4	0326353300	• PIN ASSY	2				
1-4-1	0326353310	• • PIN	1				
1-4-2	0326353320	• • PIN	1				
1-4-3	1210013220	• • PIN, split	1				
4	0426300400	COVER	1				
5	0001502501	PIN	4				
6	1900096600	CYLINDER, dozer blade	1				
7	1103040855	BOLT	4				
8	1100040860	BOLT	1				
9	1130240008	NUT	8				
10	1140020008	WASHER, spring	1				
12	1515600200	ADAPTOR	2				
	1420010110	• O-RING	1				
	B5a120						

SLEW LOCK						
Item	Part number	Description	Q'ty	Chan.	Serial No.	Serv. Remarks
		PIN ASSY, slew lock				X03222-15000-4
1	0322215100	BOSS	1			
2	0322215200	ROD	1			
3	0412203300	ROD	1			
4	0412203400	PIN	1			
5	1100041020	BOLT	2			
6	1140020010	WASHER, spring	2			
7	1224010008	RING, retaining	1			
8	1210012516	PIN, split	1			
9	0543208900	GRIP	1			
	B5b190					

Item	Part number	Description	STAND	Q'ty	Chan.	Serial No.	Serv.	Remarks
		LEVER ASSY, control (ISO-JCB pattern)						X03232-78000-2
		LEVER ASSY, control (ISO-JCB pattern) (with travel alarm)						X03232-78600-2
		LEVER ASSY, control (A-B pattern)						X03232-78300-1
		LEVER ASSY, control (ISO pattern)						X03232-78200-2
		LEVER ASSY, control (ISO pattern) (with travel alarm)						X03232-78700-2
1	0324264100	STAND		1				
	0323274100	STAND		1				A-B pattern
6	0323274010	GUARD		1				
10	0323278500	COVER		1				
11	0323269710	COVER		1				
12	0323271720	PIPE (A-B pattern)		1				U.S. TAKEUCHI OPT.
23	0323274310	COVER		1				
32	0323267920	PLATE		1				
39	0323264990	HARNESS, wiring		1				
42	1652201003	BAND		4				
45	0335124910	BOOT		2				
47	0363214700	BOOT		3				
58	1100090612	BOLT		4				
63	1100040612	BOLT		1				
71	1100041016	BOLT		6				A-B pattern
	1100041016	BOLT		4				
72	1130040006	NUT		2				
74	1140020006	WASHER, spring		2				
85	1730100010	THERMOMETER		1				
86	1700550002	LAMP, charge		1				
87	1700550003	LAMP, oil		1				
88	1700100052	SWITCH, starter		1				
88-1	1700100019	KEY		1				
89	1730000500	METER, hour		1				
90	1150110312	SCREW		2				
91	1130030003	NUT		2				
95	1150420510	BOLT, sems		14				
96	1140020010	WASHER, spring		4				
	1140020010	WASHER, spring		6				A-B pattern
97	1652515000	RUBBER, cushion		2				
100	1703500712	HORN		1				
101	1100040812	BOLT		1				
103	1140020008	WASHER, spring		1				
107	1140090006	WASHER, spring		4				
108	1141190006	WASHER		4				
112	0323274340	COVER		1				
113	0323274330	COVER		1				
118	1652533019	CAP		2				
119	1654606007	SEAL		1				sold by the meter
	B5b242							

DRAIN PLUG

Item	Part number	Description	Q'ty	Chan.	Serial No.	Serv.	Remarks
		PLUG ASSY, drain					X03240-16000-2
1	1554501650	PLUG	1				
2	1432116221	WASHER	1				
4	1554512201	TUBE	1				
	B5c041						

BATTERY						
Item	Part number	Description	Q'ty	Chan.	Serial No.	Serv. Remarks
		BATTERY ASSY				X03244-54200-2
1	0324454100	BATTERY	1			
2	1702522035	CABLE, battery	1			
3	1702222032	CABLE, earth	1			
4	1703211024	BOOT	1			
5	1702330040	TERMINAL	1			
6	1702920060	COVER	1			
7	1910213126	CAP	1			Y119773-77030
8	1652231140	BAND	2			
9	1711900076	CLAMP	1			
10	1702106140	BOLT	1		10820001~10820153	
	1702106120	BOLT	1		10820154~	
11	1532215024	TUBE	1			sold by the meter
12	1652231250	BAND	1		10820127~	
13	1130040006	NUT	2			
14	1130040008	NUT	1			
15	1140020008	WASHER, spring	3			
16	1140020010	WASHER, spring	1			
17	1141110006	WASHER	1			
18	1130040010	NUT	2			
19	1140330010	WASHER	1			
20	1100040814	BOLT	2			
21	0003608252	WASHER	2			
22	1652201005	BAND	1			
23	1654705016	RUBBER	2			
	B5c181					

PIPING; UPPER (2/2)

Item	Part number	Description	Q'ty	Chan.	Serial No.	Serv.	Remarks
		PIPING ASSY, upper					X03270-59000-2
3	0327058260	HOSE ASSY	1				
4	0327058270	HOSE ASSY	1				
5	0327058280	HOSE ASSY	1				
6	0327058290	HOSE ASSY	1				
7	0327053300	HOSE ASSY	1				
8	0327053310	HOSE ASSY	1				
9	0327053320	HOSE ASSY	1				
10	0327053330	HOSE ASSY	1				
13	0327053360	HOSE ASSY	1				
14	0327053370	HOSE ASSY	1				
15	0327053380	HOSE ASSY	1				
16	0327053390	HOSE ASSY	1				
17	0327058400	HOSE ASSY	1				
18	0327058410	HOSE ASSY	1				
34	1532020624	TUBE	1				sold by the meter
35	1532020646	TUBE	1				sold by the meter
37	1532520601	CONNECTOR	1				
38	1532620601	ELBOW	1				
39	1532720601	TEE	1				
44	1652201007	BAND	4				
	B5d112						

COVER (2/2) (engine hood)

Item	Part number	Description	Q'ty	Chan.	Serial No.	Serv.	Remarks
0-1	0328260100	HOOD, engine	1				X03282-60100-2
1	0328260110	▪ HOOD, engine	1				
2	0328259520	▪ HANDLE	1				
3	0328257103	▪ ABSORBENT, noise (L.H.)	1				
4	0328260104	▪ ABSORBENT, noise (R.H.)	1				
5	0328260105	▪ ABSORBENT, noise	1				
6	0004206111	▪ SHAFT	1				
7	0007000095	▪ SPRING	1				
8	1150110416	▪ SCREW	2				
10	1224010004	▪ RING, retaining	2				
11	1652112320	▪ RUBBER	2				
12	1653611836	▪ LOCK	1				
12-1	1700100019	▪ KEY	1				
13	1653916023	▪ TRIM	1				sold by the meter
14	1654606298	▪ SEAL	1				sold by the meter
	B5e102						

CANOPY (with hook)							
Item	Part number	Description	Q'ty	Chan.	Serial No.	Serv.	Remarks
		CANOPY ASSY					X03284-59000-1
1	0328459100	ROOF	1				
2	0328457200	POLE	1				
3	0328459300	POLE (L.H.)	1				
4	0328459400	POLE (R.H.)	1				
5	1100041020	BOLT	8				
6	1100041030	BOLT	8				
7	1140020010	WASHER, spring	20				
8	1141110010	WASHER	16				
9	0328456100	HOOK ASSY	2				
9-1	0328456110	• HOOK	1				
9-2	0328455502	• SPONGE	1				
10	0399300500	DECAL	2				
11	1100041035	BOLT	4				
12	0003600025	WASHER	4				
	B5e062						

CLICK HERE TO **DOWNLOAD** THE COMPLETE MANUAL

- Thank you very much for reading the preview of the manual.
- You can download the complete manual from: www.heydownloads.com by clicking the link below



- Please note: If there is no response to CLICKING the link, please download this PDF first and then click on it.

CLICK HERE TO **DOWNLOAD** THE COMPLETE MANUAL

BUCKET (for U.S.A.)

Item	Part number	Description	Q'ty	Chan.	Serial No.	Serv.	Remarks
0	0326215000	BUCKET ASSY	1				300mm wide
1	X *****	▪ BUCKET	1				
1-5	1914201201	▪ ▪ ADAPTOR, tooth	3				
2	1914201202	▪ POINT, tooth	3				
3	1914201203	▪ PIN	3				
	B5f040						

Item	Part number	Description	DECAL		Serial No.	Serv.	Remarks
			Q'ty	Chan.			
19	0339364500	• DECAL (Spanish)	1				
19	0359313700	• DECAL (English)	1				
19	0579300606	• DECAL (Russian)	1			M	
20	0359314400	• DECAL (German)	1				
20	0359315400	• DECAL (French)	1				
20	0359316400	• DECAL (Italian)	1				
20	0339364200	• DECAL (Spanish)	1				
20	0359307400	• DECAL (English)	1				
20	0579300602	• DECAL (Russian)	1			M	
21	0359325170	• DECAL	1				
22	0359325180	• DECAL	1				
23	0359325190	• DECAL	1				
24	0399300500	• DECAL	3				
25	0349325020	• DECAL	1				
26	0329363710	• DECAL (German)	1				
26	0329363810	• DECAL (French)	1				
26	0329363910	• DECAL (Italian)	1				
26	0329364010	• DECAL (Spanish)	1				
26	0329364110	• DECAL (English)	1				
26	0329365504	• DECAL (Russian)	1			M	
27	0379358560	• DECAL	2				
28	0329364601	• DECAL	1				
29	X *****	• DECAL	1				
30	0359332400	• DECAL (German)	1				
30	0329363820	• DECAL (French)	1				
30	0329363920	• DECAL (Italian)	1				
30	0329364020	• DECAL (Spanish)	1				
30	0359332300	• DECAL (English)	1				
30	0329365505	• DECAL (Russian)	1			M	
32	0359313900	• DECAL	1				
33	0329364633	• DECAL	1				
34	0569321980	• DECAL (English)	1				
35	0339375210	• DECAL (German)	1				
35	0339375410	• DECAL (French)	1				
35	0339375610	• DECAL (Italian)	1				
35	0339375810	• DECAL (Spanish)	1				
35	0359347010	• DECAL (English)	1				except for U.K. TAKEUCHI
35	0579300609	• DECAL (Russian)	1			M	
36	0339375220	• DECAL (German)	1				
36	0339375420	• DECAL (French)	1				
36	0339375620	• DECAL (Italian)	1				
36	0339375820	• DECAL (Spanish)	1				
36	0359347020	• DECAL (English)	1				
36	0579300610	• DECAL (Russian)	1			M	
37	0339369100	• DECAL (German)	1				
37	0339370100	• DECAL (French)	1				
37	0339371100	• DECAL (Italian)	1				
37	0329364040	• DECAL (Spanish)	1				
37	0339368100	• DECAL (English)	1				
37	0329365506	• DECAL (Russian)	1			M	
38	0339375240	• DECAL (German)	1				
38	0339375440	• DECAL (French)	1				
38	0339375640	• DECAL (Italian)	1				
38	0339375840	• DECAL (Spanish)	1				
38	0339375040	• DECAL (English)	1				
38	0579300611	• DECAL (Russian)	1			M	
39	0339375250	• DECAL (German)	1				
39	0339375450	• DECAL (French)	1				
39	0339375650	• DECAL (Italian)	1				
39	0339375850	• DECAL (Spanish)	1				
39	0339375050	• DECAL (English)	1				
39	0399356005	• DECAL (Russian)	1			M	
40	0339376340	• DECAL (German)	1				
40	0339379440	• DECAL (French)	1				
40	0339379540	• DECAL (Italian)	1				
40	0339379640	• DECAL (Spanish)	1				
40	0339376240	• DECAL (English)	1				
40	0579300613	• DECAL (Russian)	1			M	

CONTROL VALVE

Item	Part number	Description	Q'ty	Chan.	Serial No.	Serv.	Remarks
0	1901040200	VALVE ASSY, control	1				
1	1901040201	▪ HOUSING ASSY	1				P1
2	1901040214	▪ BLOCK ASSY, No.1	1				slew
3	1901040212	▪ BLOCK ASSY, No.2	1				arm
4	1901040215	▪ BLOCK ASSY, No.3	2				travel
5	1901040217	▪ BLOCK ASSY, No.4	1				blade
6	1901040219	▪ BLOCK ASSY, No.5	1				service
7	1901040218	▪ BLOCK ASSY, No.6	1				swing
8	1901040211	▪ BLOCK ASSY, No.7	1				boom
9	1901040213	▪ BLOCK ASSY, No.8	1				bucket
10	1901040202	▪ HOUSING ASSY	1				P2, T
11	1901040222	▪ VALVE ASSY	2				relief
12	1420010140	▪ ▪ O-RING	1				
13	1901040221	▪ VALVE ASSY	3				over load
14	1420010140	▪ ▪ O-RING	1				
15	1901036425	▪ VALVE ASSY	1				antivoid
16	1420010140	▪ ▪ O-RING	1				
17	1420310127	▪ O-RING	10				
18	1420010100	▪ O-RING	20				
19	1901040207	▪ BOLT	3				
20	1130050008	▪ NUT	6				
	B5h020						

BLOCK ASSY; No. 4

Item	Part number	Description	Q'ty	Chan.	Serial No.	Serv.	Remarks
0	1901040217	BLOCK ASSY, No.4	1				blade
1	1901040291	▪ SPOOL ASSY	1				
2	1420000101	▪ O-RING	1				
3	1421030101	▪ RING, back-up	1				
4	1901040241	▪ PLATE	1				
5	1120590510	▪ SCREW	2				
6	1901021366	▪ VALVE	1				
7	1901040261	▪ SPRING	1				
8	1420010110	▪ O-RING	1				
9	1901040251	▪ PULG	1				
10	1901040256	▪ HOLDER, spring	1				
11	1110020545	▪ SCREW, cap	2				
	B5h070						

HOUSING ASSY						
Item	Part number	Description	Q'ty	Chan.	Serial No.	Serv. Remarks
0	1901040202	HOUSING ASSY	1			P2, T
1	1901040203	▪ BODY	1			
2	1501750002	▪ PULG	1			
	1420010110	▪ ▪ O-RING	1			
3	1420010110	▪ O-RING	1			
	B5h120					

DOZER BLADE CYLINDER

Item	Part number	Description	Q'ty	Chan.	Serial No.	Serv.	Remarks
0	1900096600	CYLINDER ASSY	1				blade
0-1	1900087299	• KIT, seal	1				
1	X 1900056931	• • PACKING, piston	1				
2	X 1900056932	• • PACKING, rod	1				
3	X 1900087133	• • SEAL, dust	1				
4	X 1421130450	• • RING, back-up	1				
5	X 1420110450	• • O-RING	1				
6	X 1420500500	• • O-RING	1				
7	1900096698	• KIT, tube	1				
8	1900057002	• • BUSHING	1				
9	1560001000	• • FITTING, grease	1				
10	1900087197	• KIT, rod	1				
11	1900057002	• • BUSHING	1				
12	1560001000	• • FITTING, grease	1				
13	1900057103	• COVER, rod	1				
14	1900087113	• BUSHING	1				
15	1900057106	• PISTON	1				
16	1900056928	• RING, wear	2				
17	1121050608	• SET-SCREW	1				
18	1390020250	• BALL, steel	1				
	B5h270						

TRAVEL MOTOR (3/3) (valve sec.)

Item	Part number	Description	Q'ty	Chan.	Serial No.	Serv.	Remarks
0	1903122400	MOTOR ASSY, travel	1				
0-6	1903906098	▪ KIT, body 1	1				
1	1903904247	▪ ▪ SPRING	2				
2	1901807010	▪ ▪ PLUG	2				
3	1901804510	▪ ▪ RING	2				
4	1420000100	▪ ▪ O-RING	2				
5	1420010140	▪ ▪ O-RING	2				
6	1501810000	▪ ▪ PLUG	2				
7	1300006201	▪ ▪ BEARING	1				
8	1213000512	▪ ▪ PIN, spring	1				
	B5h210						

Item	Part number	Description	Old Teeth			
			Q'ty	Chan.	Serial No.	Serv. Remarks
		Old Teeth				
1	1914201202	Tooth TB007/TB015	1			
2	1914291202	Rock Tooth V13	1			
3	1914201201	Adaptor	1			
4	1914201203	Lock	1			

±,Ø-Å AIR CLEANER

REF NO.	PARTS NO.	Description	Q'ty	I	R	õ
1	Y119325-12560	±,Ø-Å CMP AIR CLEANER	1			
2	Y119258-12510	• íþÁþ²- • BODY,AIRCLEANER	1			
3	Y119808-12540	• ±ÝÛ-ÅþÊþÛþ • VALVE, UNLOADER	1			
4	Y119655-12560	• ÚÓÝÄ • ELEMENT	1			
5	Y119686-12570	• ¶Êþ- ASSY • COVER ASSY	1			
6	Y119865-12600	±,Ø-ÅÊþÝÄþCMP STAY	1			
10	Y23000-060000	î-½,ØÄìß 60 CLAMP 60	3			

CW¼½Ñ COOLING WATER SYSTEM

REF NO.	PARTS NO.	Description	Q'ty
1	Y119540-42000	CWÍßÝÍß	1
3	Y119515-42041	• ¶Éþ-	1
4	Y119717-42031	• ÉßÁ·Ý	1
9	Y26577-060122	• »×ºÉ¼þ(+±Á 6X12	4
10	Y27241-250000	• ÜÝ¶þÁÍß×, þ 25	1
11	Y119717-42320	• OØÝ, þ P-26	1
12	Y129916-49740	• É¼þÍß×, þ R03	1
13	Y119515-42020	PK(CWÍßÝÍß	1
14	Y23414-080000	ÉßÁ·Ý(iÜ 8	1
15	Y26106-080122	ÂÉþÍþÜÁ 8X 12	1
16	Y26106-080502	ÂÉþÍþÜÁ 8X 50	3
17	Y171056-49120	ÂþÜÝÍß×, þ	1
18	Y119717-42350	VÍß-Ø(CW-P D=100	1
19	Y25152-003500	VÍþÜÁ °, þA35	1
20	Y119233-44740	Í±Ý(D=290*UH	1
21	Y121267-44760	½Íß-» (Íþ×Á:12)	1
22	Y26106-060302	ÂÉþÍþÜÁ 6X 30	4
23	Y121450-42450	Íß×, þ M16	1
24	Y124465-44950	ÉßÁ·Ý16	1
25	Y129150-49360	PK 10	1
26	Y124250-49351	½²µÝ¾Ý»-	1
27	Y119609-49520	»-Ó½ÁÁ¶¶Éþ- CMP	1
28	Y119285-01731	• É¼þÍß×, þNPT1/8	1
30	Y119718-49800	»-Ó½ÁÁ¶¶(82BC	1
31	Y26106-080252	ÂÉþÍþÜÁ 8X 25	1
32	Y26106-080602	ÂÉþÍþÜÁ 8X 60	1
33	Y119440-44500	×¼þ´-À CMP	1
35	Y119325-44571	• ¼Ö×³Äþ	1
36	Y129107-44590	• ·ÓÁÍß(0.9KG/CM2) D46	1
37	Y119325-44600	• Ü²ÓÉÁÁ(Í±Ý	2
38	Y26014-060122	• ÍþÜÁ(É×+ÉþÉ 6X 12	4
39	Y119255-44660	Íþ¾¼ÝºþÑ(×¼þ´Á	2
40	Y23010-038000	Í-½ÉþÝÄþ 38	4

CLICK HERE TO **DOWNLOAD** THE COMPLETE MANUAL

- Thank you very much for reading the preview of the manual.
- You can download the complete manual from: www.heydownloads.com by clicking the link below



- Please note: If there is no response to CLICKING the link, please download this PDF first and then click on it.

CLICK HERE TO **DOWNLOAD** THE COMPLETE MANUAL