

PARTS CATALOG

TB-2200 D

COMPACT EXCAVATOR

Body Parts

TAKEUCHI MFG. CO., LTD.

CLICK HERE TO **DOWNLOAD** THE COMPLETE MANUAL

- Thank you very much for reading the preview of the manual.
- You can download the complete manual from: www.heydownloads.com by clicking the link below



- Please note: If there is no response to CLICKING the link, please download this PDF first and then click on it.

CLICK HERE TO **DOWNLOAD** THE COMPLETE MANUAL

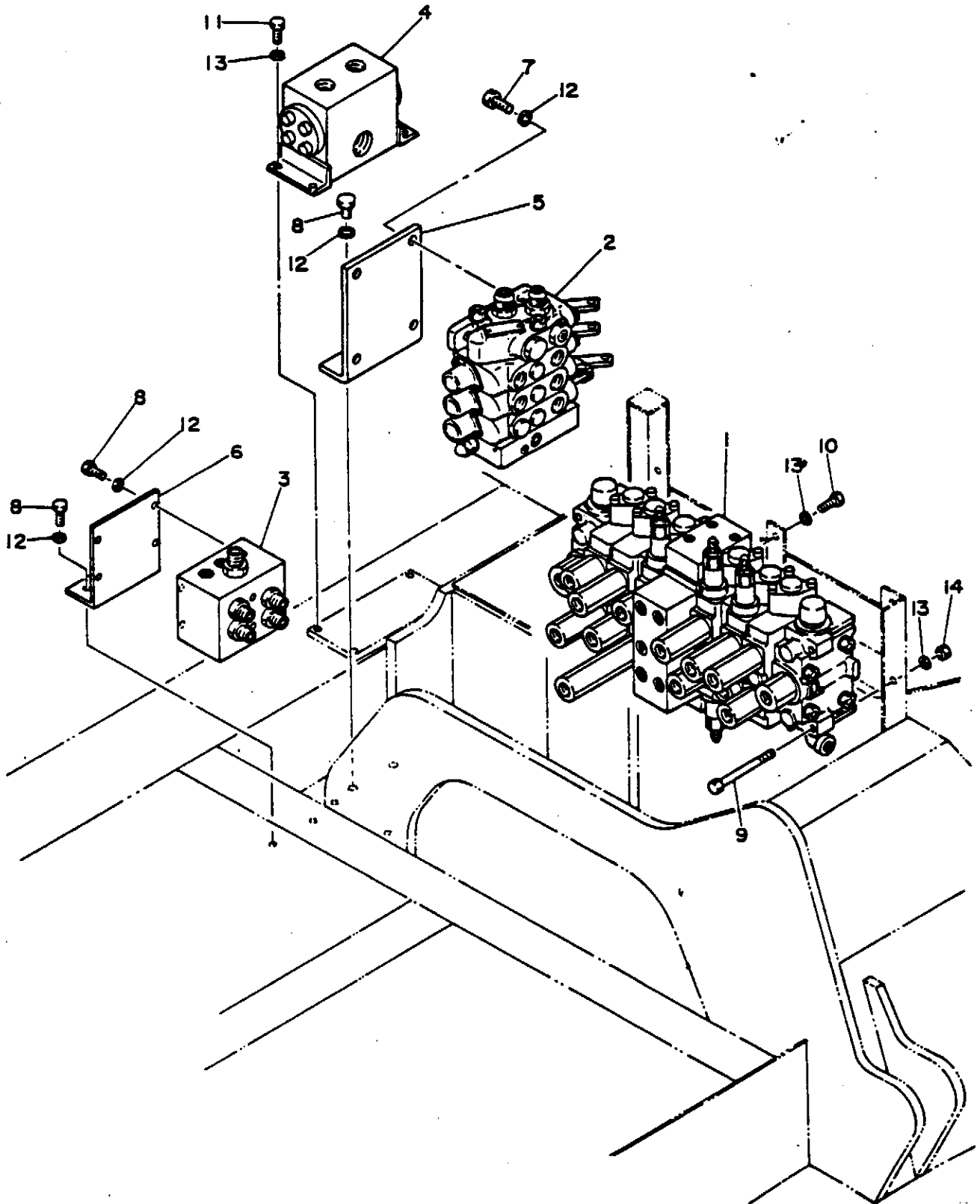
Item	PARTS NUMBER	DESCRIPTION	Q'ty	REMARKS
1	02210-47100	FRAME	1	
2	02210-47400	COVER, (L. H.) Motor	1	#29~
3	02210-47500	COVER, (R. H.) Motor	1	#29~
4	02610-00900	COVER	1	
5	11000-41015	BOLT	20	
6	11400-20010	WASHER, Spring	20	
7	11411-10010	WASHER, Plain	20	
0-1	19140-03200	SHOE ASSY, Track	2	
8	19140-03101	★LINK, (R. H.)	37	
9	19140-03102	★LINK, (L. H.)	37	
10	19140-03103	★LINK, (R. H.) Master	1	
11	19140-03104	★LINK, (L. H.) Master	1	
12	19140-03105	★BUSHING	38	
13	19140-03106	★PIN, Track	37	
14	19140-03107	★PIN, Master	1	
15	19140-03108	★PIN	1	
16	19140-03109	★BOLT	152	
17	19140-03110	★NUT	152	
18	19140-03111	★PLATE, Shoe	38	
19	02213-90000	ROLLER ASSY, Carrier	4	
20	02212-90000	ROLLER ASSY, Track	10	
21	02214-90000	IDLER ASSY, Front	2	
22	02615-90000	TRACK TENSION	2	
23	02216-42000	TRACK GEARBOX	2	
24	19130-00300	BEARING, Slew	1	

NOTE Item No.1 & 23.... #11~#15, & #21~

Rev. ③ Fig.02 1/3

Item	PARTS NUMBER	DESCRIPTION	Qty	REMARKS
1	02615-00100	CYLINDER, Grease	2	
2	02215-20300	PISTON	2	
3	15413-01661	VALVE ASSY, Check	2	
4	15412-01616	PACKING	2	
5	15600-01000	NIPPLE, Grease	2	
6	14200-10500	O-RING	2	
7	14210-20500	RING, Back-up	2	
8	14004-02835	SEAL, Oil	2	
0-1	02115-90100	CUSHION ASSY	4	
9	02115-00500	★SEAT	2	
10	02115-10600	★ROD	2	
11	00070-00020	★SPRING	2	
12	11300-20020	★NUT	4	
13	11010-51245	BOLT	8	
14	11400-10012	WASHER, Spring	8	

FIG. 10 VALVE MOUNTING



101312 12/12

Item	PARTS NUMBER	DESCRIPTION	Q'ty	REMARKS
49	02632-03000	SPACER	2	
50	00062-00002	SPACER	4	
51	02532-02400	SPACER	2	
52	01632-09400	STOPPER	7	
53	02232-42900	BRACKET	1	
54	00070-00024	SPRING	1	
55	00036-00006	WASHER	1	
56	00050-08100	ROD, End	1	
57	13400-11080	ROD, End	17	
58	13400-11085	ROD, End	19	
59	13331-02015	BUSHING	28	
60	12200-00020	RING, Snap	6	
61	13320-02022	MINI-PILLOW - Large	10	
62	13320-01518	MINI-PILLOW - Small	4	
63	11000-50816	BOLT	30	
64	11000-50820	BOLT	12	
65	11000-50822	BOLT	4	
66	11000-50860	BOLT	7	
67	11000-50630	BOLT	8	
68	11000-51035	BOLT	4	
69	11310-40008	NUT	37	
70	11315-40008	NUT	23	
71	11310-40006	NUT	8	
72	11210-50830	SET-SCREW	5	
73	11210-50816	SET-SCREW	7	

NOTE #52~#55, #57~

Item	PARTS NUMBER	DESCRIPTION	Q'ty	REMARKS
26	19100-17001	ENGINE	1	
27	19100-17304	RADIATOR ASSY	1	#26~
28	19100-17011	HOSE	1	
29	19100-17012	HOSE	1	
30	15330-01042	BAND	4	
31	19100-17005	MUFFLER, Exh.	1	
32	19100-17016	RING	1	
33	19100-17006	CLEANER, Air	1	
34	19100-17028	BAND, Mounting	2	
35	19100-16207	ELBOW, 90°	1	
36	11010-41025	BOLT	4	
37	11000-41025	BOLT	15	
38	11000-41016	BOLT	8	
39	11000-41045	BOLT	4	
40	11000-41035	BOLT	4	
41	11010-41030	BOLT	4	
42	11000-40820	BOLT	11	#49~
43	11000-40814	BOLT	2	
44	11300-40012	NUT	24	
45	11300-40008	NUT	4	
46	11300-40008	NUT	9	#49~
47	11400-20012	WASHER, Spring	12	
48	11400-20010	WASHER, Spring	43	
49	11400-20008	WASHER, Spring	12	#49~
50	11411-10012	WASHER, Plain	12	

CLICK HERE TO **DOWNLOAD** THE COMPLETE MANUAL

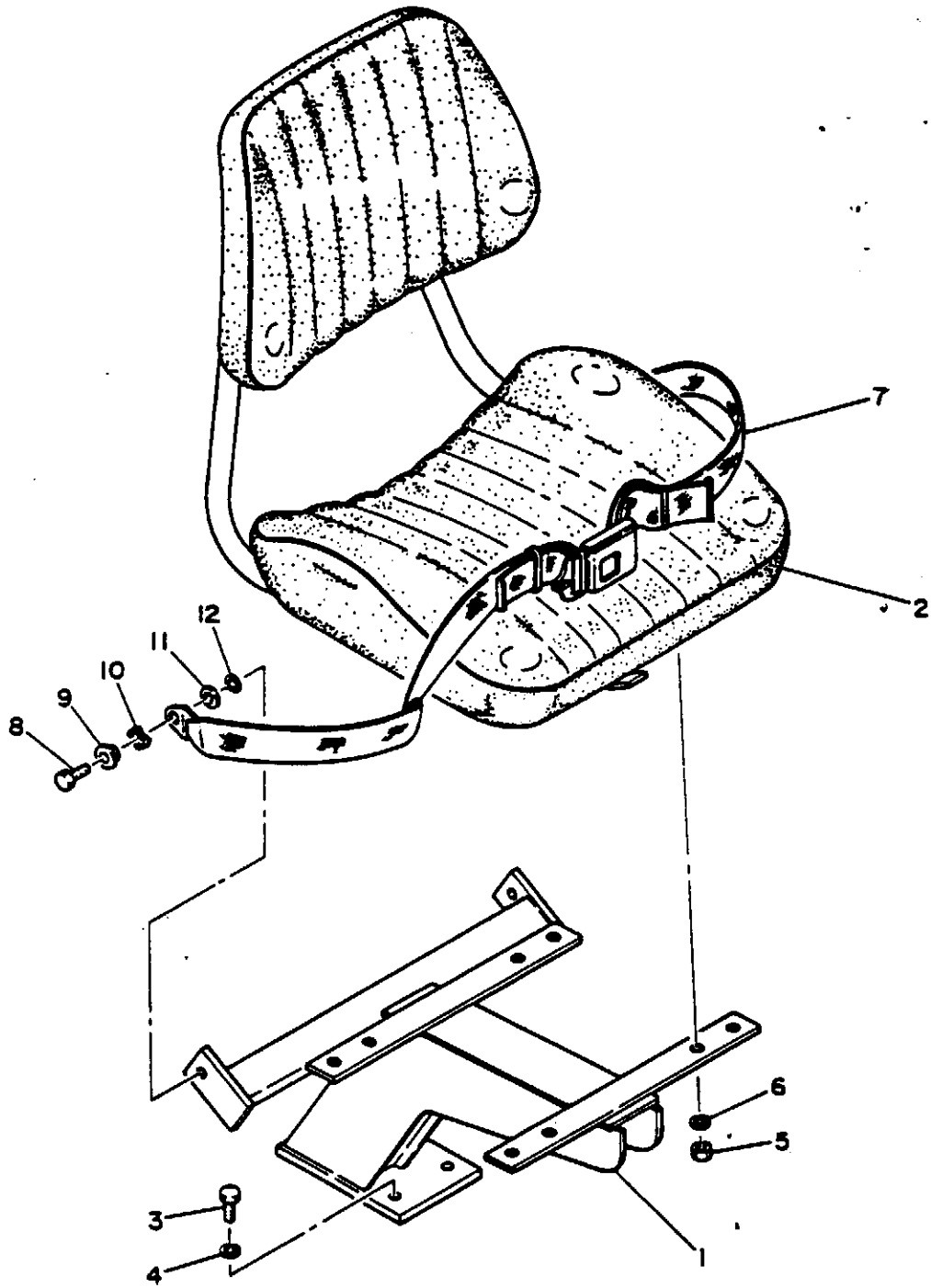
- Thank you very much for reading the preview of the manual.
- You can download the complete manual from: www.heydownloads.com by clicking the link below



- Please note: If there is no response to CLICKING the link, please download this PDF first and then click on it.

CLICK HERE TO **DOWNLOAD** THE COMPLETE MANUAL

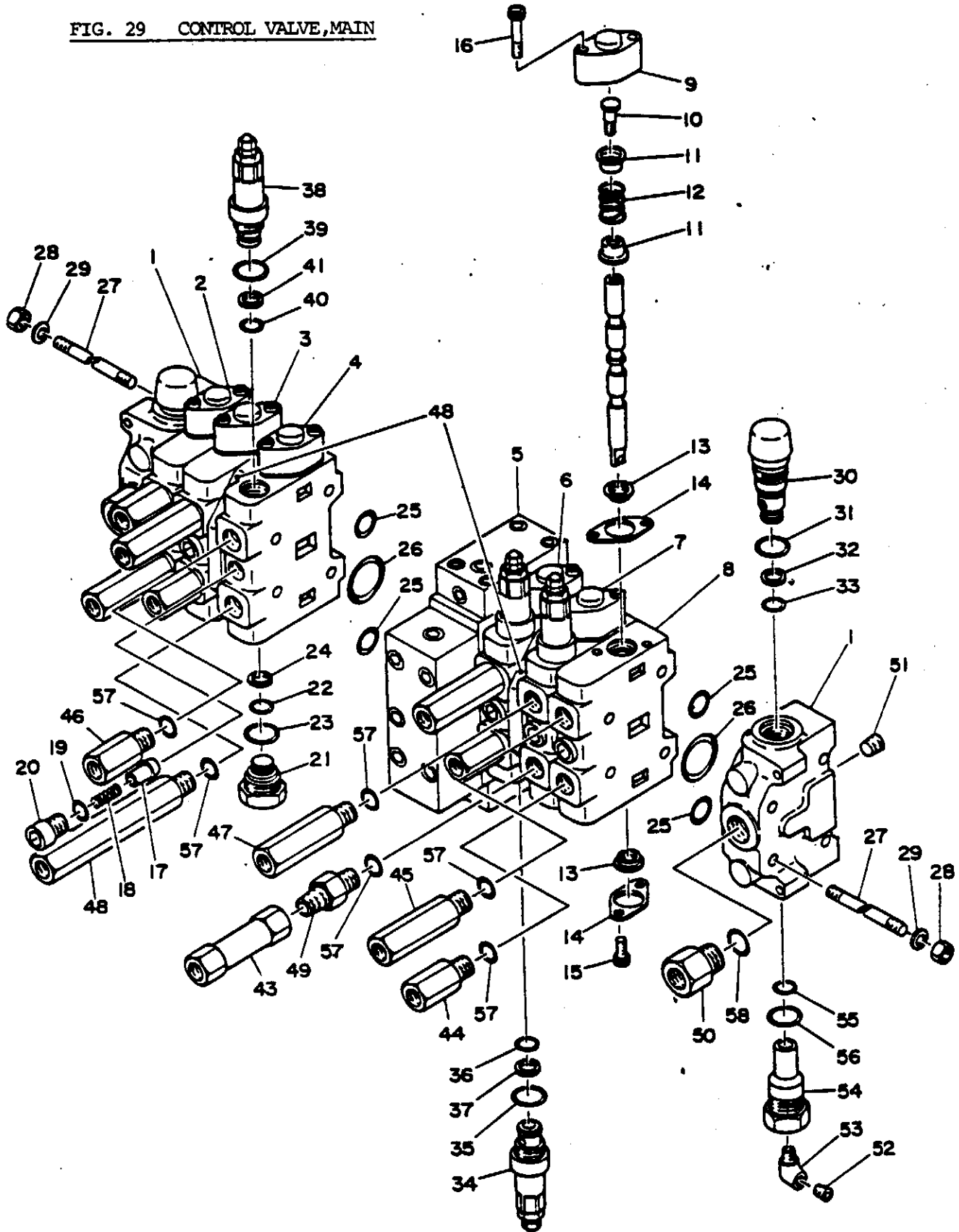
FIG. 20-1 SEAT



Item	PARTS NUMBER	DESCRIPTION	Q'ty	REMARKS
1	02260-30100	BOOM	1	
2	00035-52241	★COLLAR	1	
3	00024-50060	★BUSHING	2	
4	00015-00002	PIN	1	
5	00015-00003	PIN	1	
6	00015-00014	PIN	2	
7	00015-00005	PIN	1	
8	00030-50005	COLLAR	2	
9	00033-00001	COLLAR	2	
10	00019-00047	PIN	1	#54~
11	02261-31100	ARM	1	
12	00023-55070	★BUSHING	2	
13	00021-50044	★BUSHING	4	
14	00035-57032	★COLLAR	1	
15	00030-52075	★COLLAR	2	
16	02161-00200	PLATE	1	
17	02161-00300	ARM Link	1	
18	00021-50044	★BUSHING	4	
19	00030-52075	★COLLAR	①	
20	02261-21100	ARM Link	1	For France
21	00021-50044	★BUSHING	4	For France
22	00030-52075	★COLLAR	1	For France
23	00015-00006	PIN	1	
24	00015-00007	PIN	1	
25	00015-00009	PIN	1	

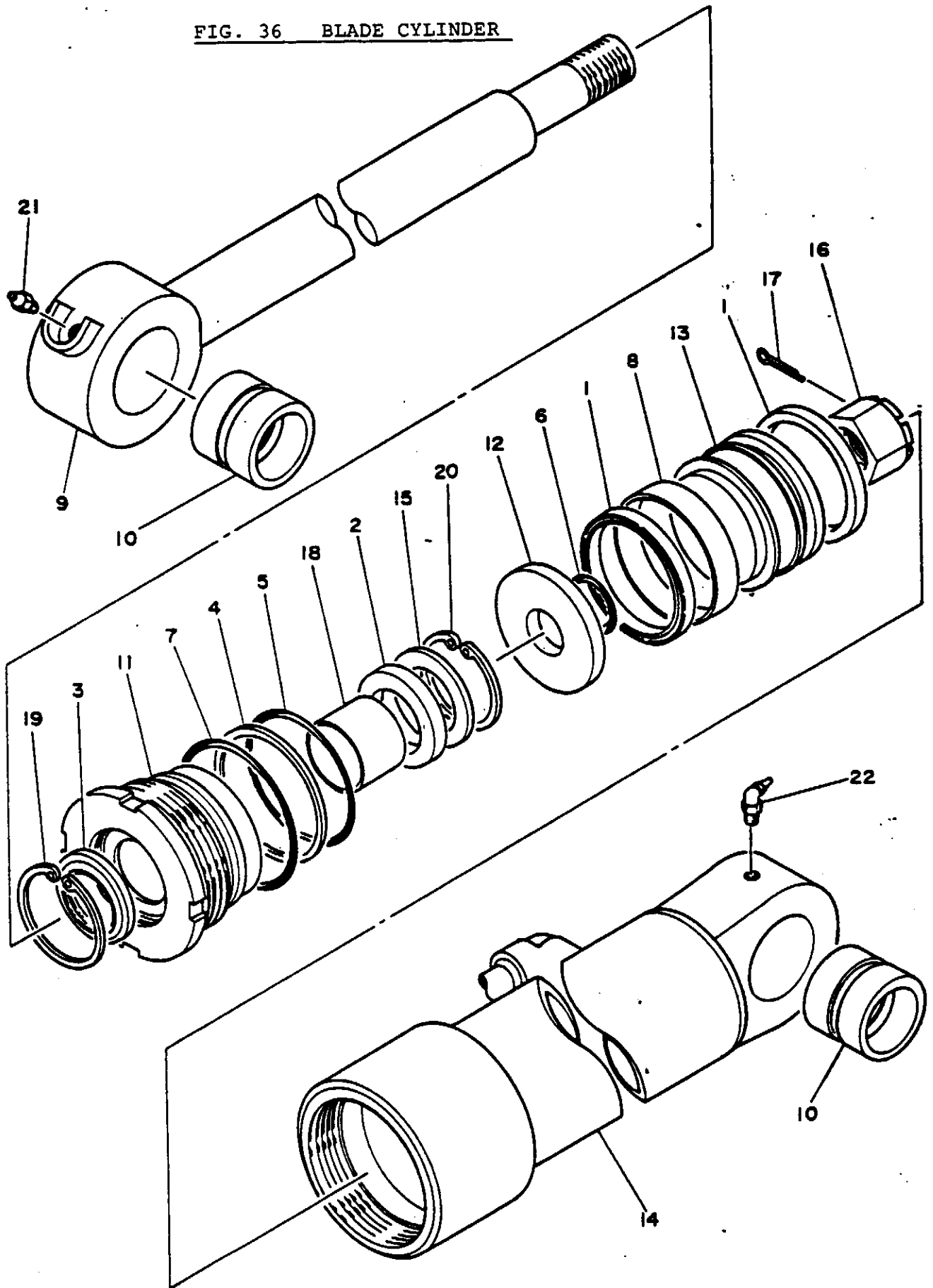
Item	PARTS NUMBER	DESCRIPTION	Q'ty	REMARKS
0-1	02292-90000	TOOL SET	1	
1	16914-00001	★CASE, Tool	1	
2	16904-00250	★MONKEY WRENCH	1	
3	16905-00200	★PLIER	1	
4	16900-01719	★SPANNER	1	
5	16901-00013	★SPANNER	1	
6	16901-00022	★SPANNER	1	
7	16901-00027	★SPANNER	1	
8	16903-00330	★HAMMER	1	
9	16908-50026	★WRENCH, L-Type	1	
10	00079-00009	★PIPE	1	
11	16906-00500	★WRENCH, Hex	1	
12	16906-01000	★WRENCH, Hex	1	
13	16906-50012	★WRENCH, Hex	1	
14	16902-00100	★DRIVER	1	
15	16910-60300	★GUN, Grease	1	
16	16911-10003	★NOZZLE, Hose	1	
17	16911-10004	★NOZZLE	1	
18	19140-05508	PIN	3	
19	11010-51290	BOLT	2	
20	11305-50012	NUT	4	
21	12100-00670	PIN, Split	3	#54~

FIG. 29 CONTROL VALVE, MAIN



Item	PARTS NUMBER	DESCRIPTION	Q'ty	REMARKS
0-1	19030-03400	MOTOR, Slew	1	
0-2	19030-00700	★MOTOR ASSY	1	
1	19030-00701	★★MOTOR	1	
0-3	19030-00799	★★KIT, Seal	1	
2	19030-00705	★★★CLIP	1	
3	19030-00706	★★★RING	2	
(4)	19018-00003	★★VALVE, Relief	2	
5	14203-10914	★★O-RING	2	
6	14212-00900	★★RING, Back-up	4	
7	14203-10117	★★O-RING	2	
(8)	19018-00300	★★VALVE, CB.	1	
9	14203-10119	★★O-RING	2	
10	14212-01000	★★RING, Back-up	2	
0-4	19120-00100	★GEAR, Reduction	1	
11	19120-00101	★★HOLDER	1	
12	19120-00102	★★SHAFT	1	
13	19120-00103	★★GEAR	1	
14	19120-00104	★★GEAR	1	
15	19120-00105	★★RING, Snap	1	
16	14203-10337	★★O-RING	2	
17	19120-00107	★★PIN, Dowel	2	
18	19120-00108	★★WASHER	1	
19	19120-00109	★★WASHER	1	
20	19120-00110	★★PINION	1	
21	19120-00111	★★COLLAR		

FIG. 36 BLADE CYLINDER



CLICK HERE TO **DOWNLOAD** THE COMPLETE MANUAL

- Thank you very much for reading the preview of the manual.
- You can download the complete manual from: www.heydownloads.com by clicking the link below



- Please note: If there is no response to CLICKING the link, please download this PDF first and then click on it.

CLICK HERE TO **DOWNLOAD** THE COMPLETE MANUAL