

**TS-75M-1-41900 LOWER,ISUZU KK-FRR35D4X**

PX1000395-03 MOUNTING PARTS

PY1000900-00 OPTIONS

ASSEMBLY

CLICK HERE TO **DOWNLOAD** THE COMPLETE MANUAL

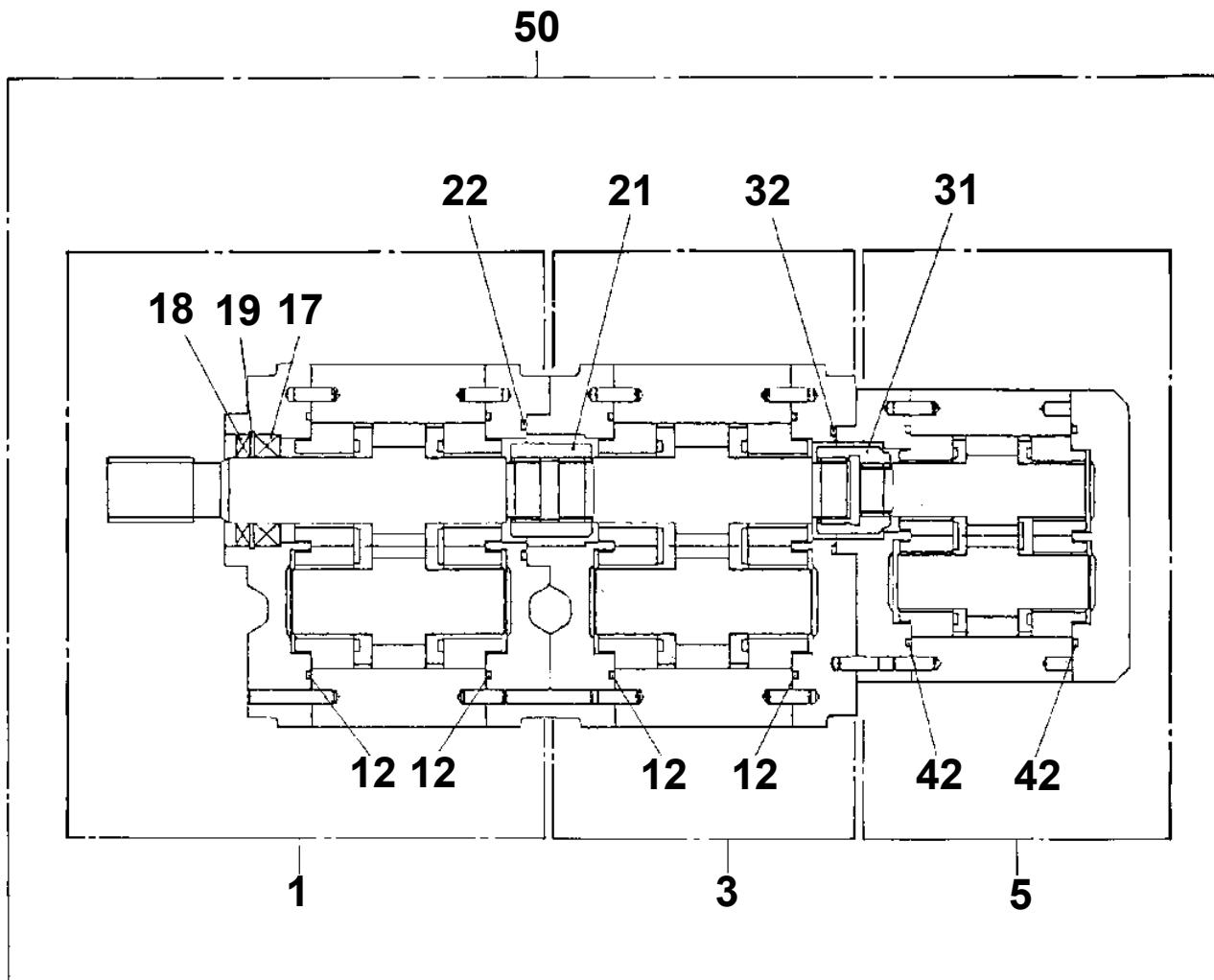
- Thank you very much for reading the preview of the manual.
- You can download the complete manual from: [www.heydownloads.com](http://www.heydownloads.com) by clicking the link below



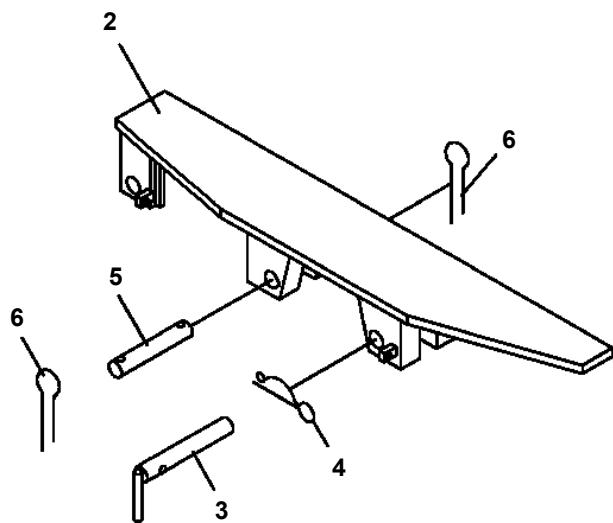
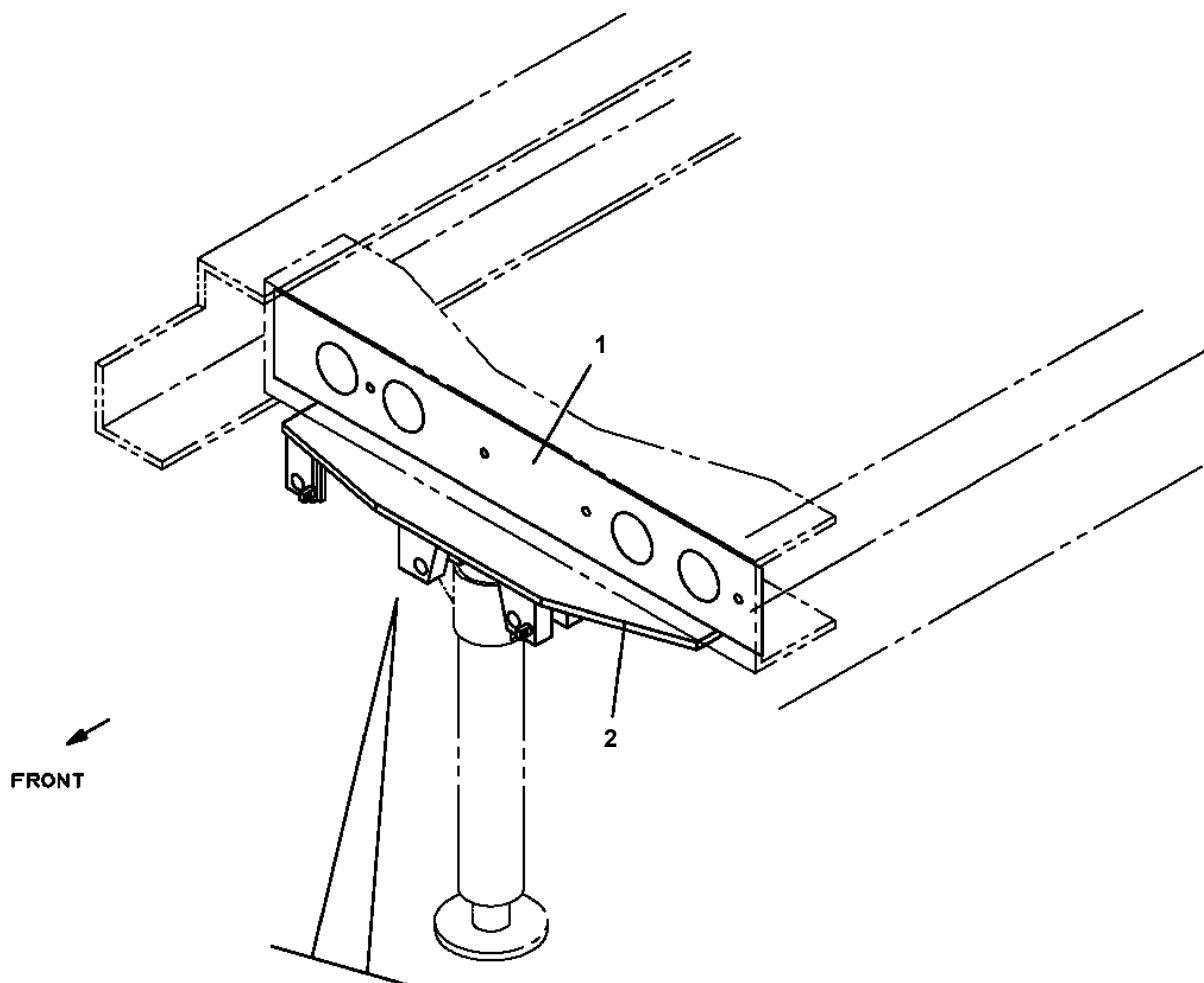
- Please note: If there is no response to CLICKING the link, please download this PDF first and then click on it.

CLICK HERE TO **DOWNLOAD** THE COMPLETE MANUAL

**TS-75M-1-41900 LOWER,ISUZU KK-FRR35D4X  
PB1100049-00 PUMP,HYDRAULIC**



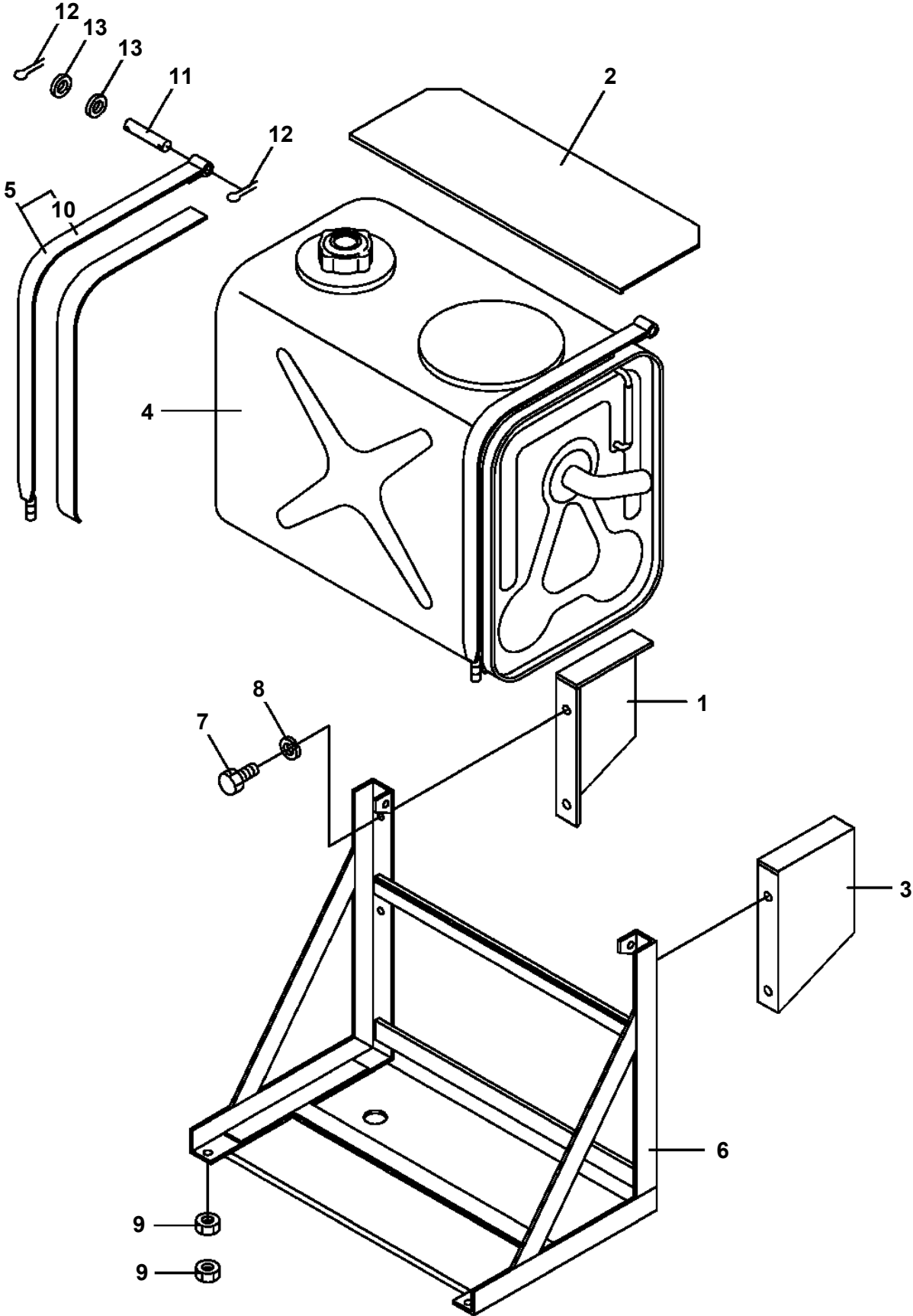
**TS-75M-1-41900 LOWER,ISUZU KK-FRR35D4X  
PC1250077-00 FRONT JACK INSTALLATION**



# TS-75M-1-41900 LOWER,ISUZU KK-FRR35D4X

Pos No.	Parts No	Parts Name	Qty	Unit	Technical Data	Serial No (Start)	Serial No (End)	Remarks	Page
1	90101206014	BOLT	2		M6X14				
2	90201200600	NUT	7		M6				
3	90302040601	WASHER,SPRING	2		6				
4	90101208020	BOLT	6		M8X20				
5	90201200800	NUT	7		M8				
6	90302040801	WASHER,SPRING	7		8				
7	90303070801	WASHER,PLAIN	7		8				
8	82400000118	CLAMP	1		L=80				
9	32650252000	SUPPORT	1						
13	82100000182	INSULATOR	25						
14	82100000183	INSULATOR	25						
15	82100000191	TERMINAL	25						
16	82100000192	TERMINAL	25						
17	32650004000	TUBE	1						
20	90240200600	NUT,CAP	8		M6				
21	90303070601	WASHER,PLAIN	8		6				
23	82440710220	PLATE,REFLECTOR	2						

**TS-75M-1-41900 LOWER,ISUZU KK-FRR35D4X  
PX1100069-02 TANK SUPPORT INSTALLATION**



## TS-75M-1-41900 LOWER,ISUZU KK-FRR35D4X

Pos No.	Parts No	Parts Name	Qty	Unit	Technical Data	Serial No (Start)	Serial No (End)	Remarks	Pages
1	90101210035	BOLT	13		M10X35				
2	90201201000	NUT	13		M10				
3	90302041001	WASHER,SPRING	16		10				
4	32772600100	GUARD,SIDE	1						
5	32772580200	GUARD,SIDE	1						
7	32772600200	GUARD,SIDE	1						
8	32772580400	SUPPORT	2						
9	37000521610	PLATE	2						
10	32772580500	SUPPORT	1						
11	90101212035	BOLT	2		M12X35				
12	90302041201	WASHER,SPRING	2		12				
13	90201201200	NUT	2		M12				
14	90101210020	BOLT	3		M10X20				
15	90303071001	WASHER,PLAIN	9		10				
16	90303071201	WASHER,PLAIN	2		12				

CLICK HERE TO **DOWNLOAD** THE COMPLETE MANUAL

- Thank you very much for reading the preview of the manual.
- You can download the complete manual from: [www.heydownloads.com](http://www.heydownloads.com) by clicking the link below



- Please note: If there is no response to CLICKING the link, please download this PDF first and then click on it.

CLICK HERE TO **DOWNLOAD** THE COMPLETE MANUAL