

TS-75M-1-21000 LOWER,MITSUBISHI KC-FK617E3BN

PX1000150-04 MOUNTING PARTS

PY1000897-00 OPTIONS

ASSEMBLY

CLICK HERE TO **DOWNLOAD** THE COMPLETE MANUAL

- Thank you very much for reading the preview of the manual.
- You can download the complete manual from: www.heydownloads.com by clicking the link below



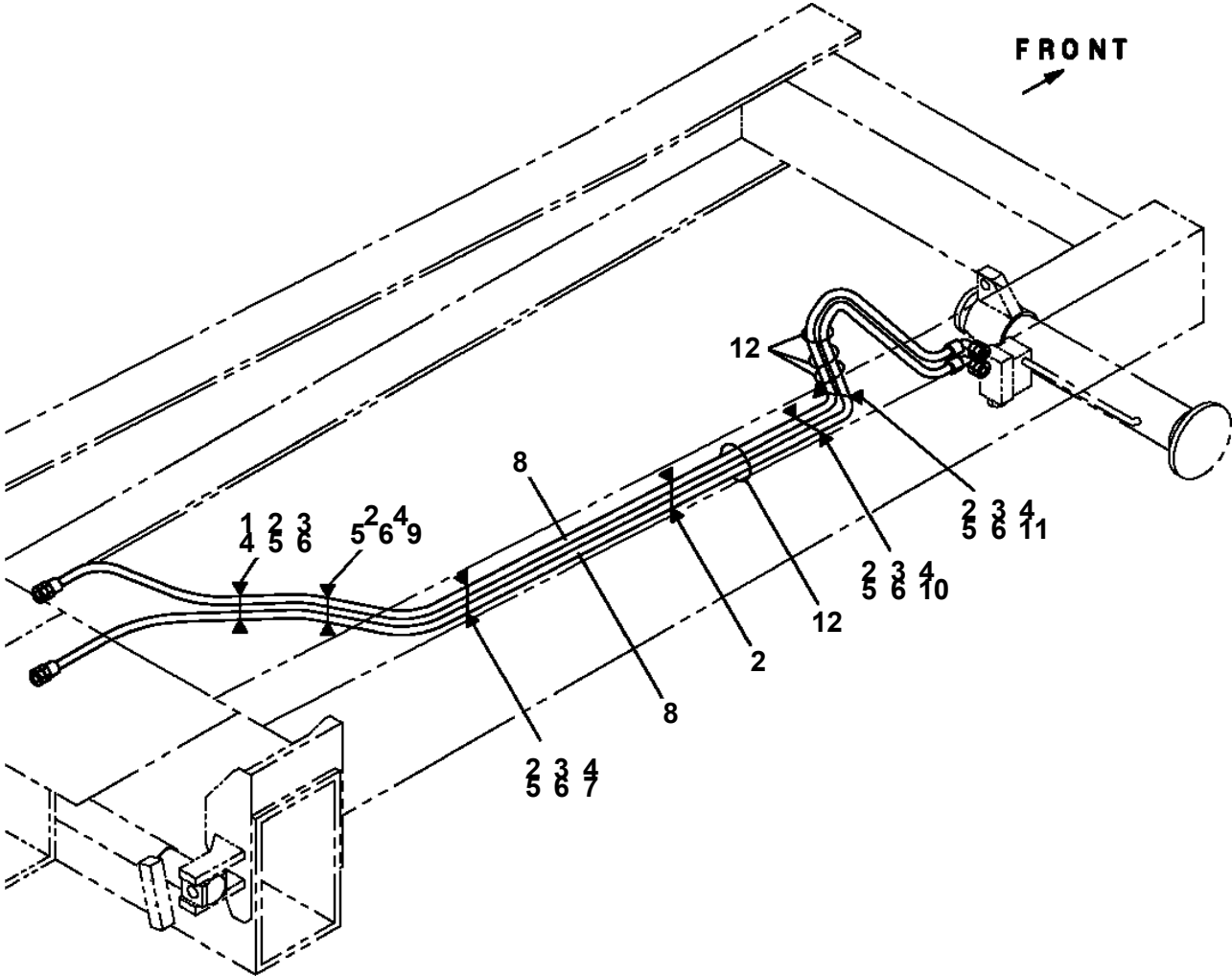
- Please note: If there is no response to CLICKING the link, please download this PDF first and then click on it.

CLICK HERE TO **DOWNLOAD** THE COMPLETE MANUAL

TS-75M-1-21000 LOWER,MITSUBISHI KC-FK617E3BN

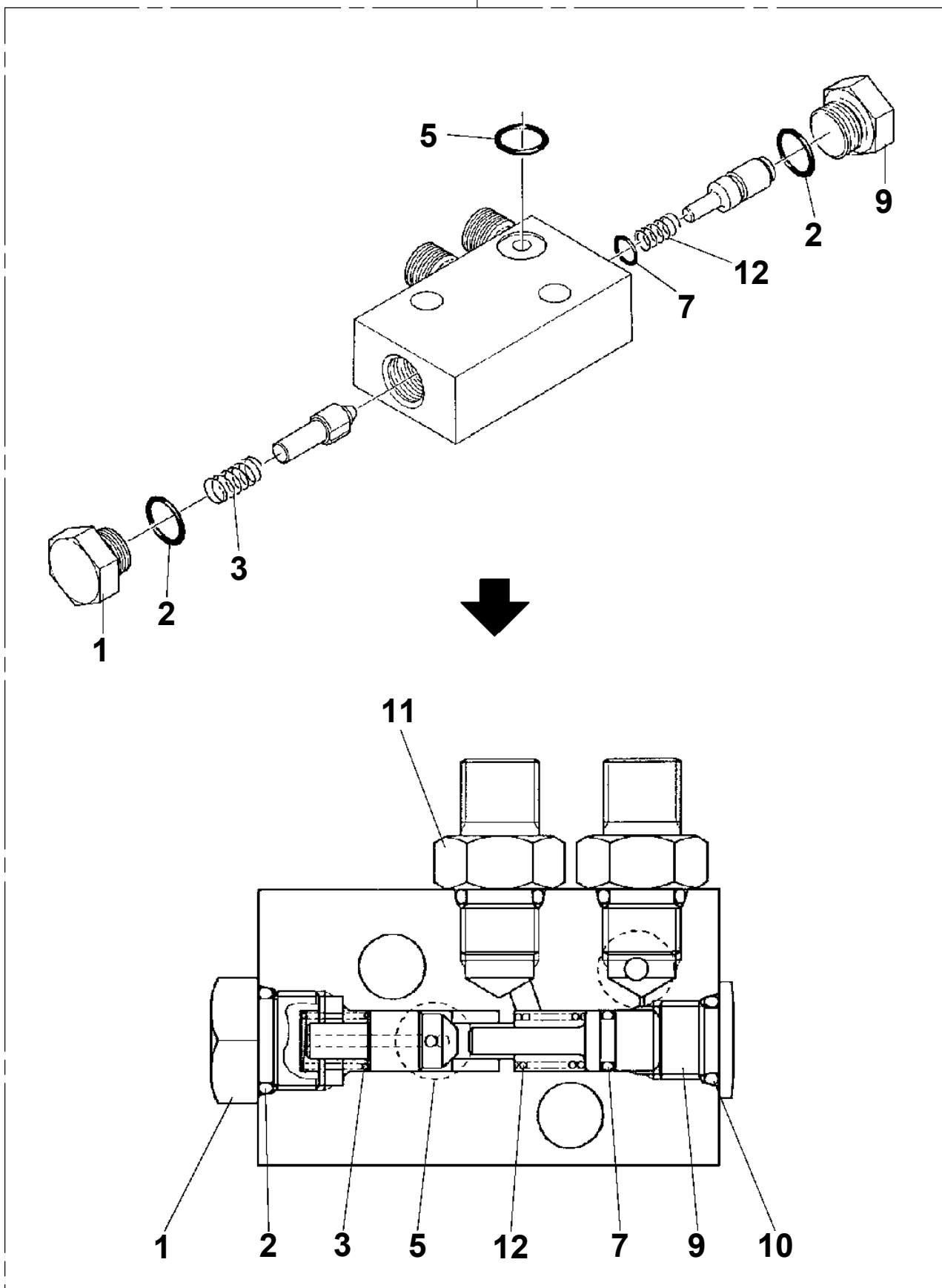
Pos No.	Parts No	Parts Name	Qty	Unit	Technical Data	Serial No (Start)	Serial No (End)	Remark
1	90101508020	BOLT	8		M8X20			
2	90302040801	WASHER,SPRING	8		8			
3	36300140000	SHAFT,PROPELLER (PUMP)	1					
11	36300110010	COUPLING	1					
12	36300144000	PIPE	1					
13	36300110020	COUPLING	1					
21	36300115010	JOINT KIT	2					
34	82456101000	NIPPLE,GREASE	1		A-PT1/8			

**TS-75M-1-21000 LOWER, MITSUBISHI KC-FK617E3BN
PC1220122-00 PIPING, FRONT JACK**

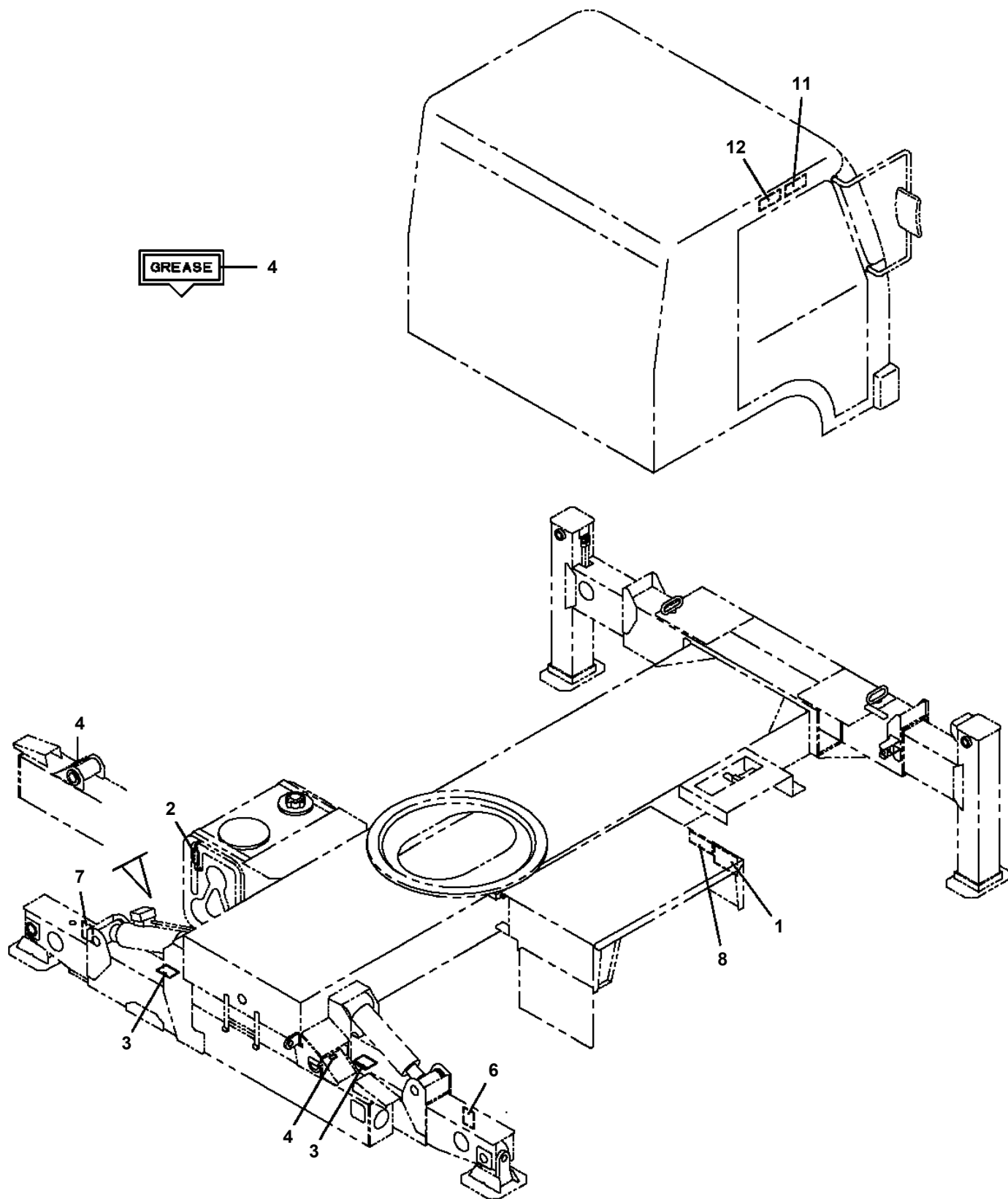


TS-75M-1-21000 LOWER, MITSUBISHI KC-FK617E3BN
PI1280042-01 VALVE, PILOT CHECK

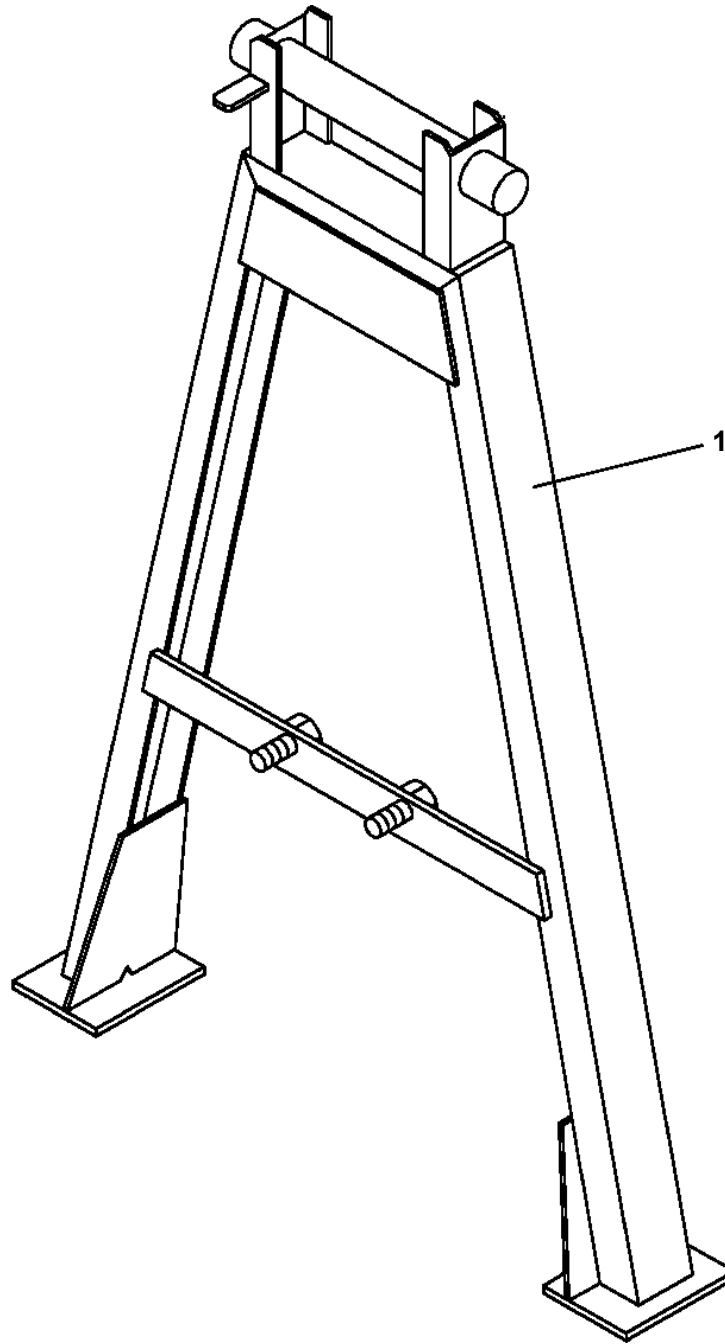
20



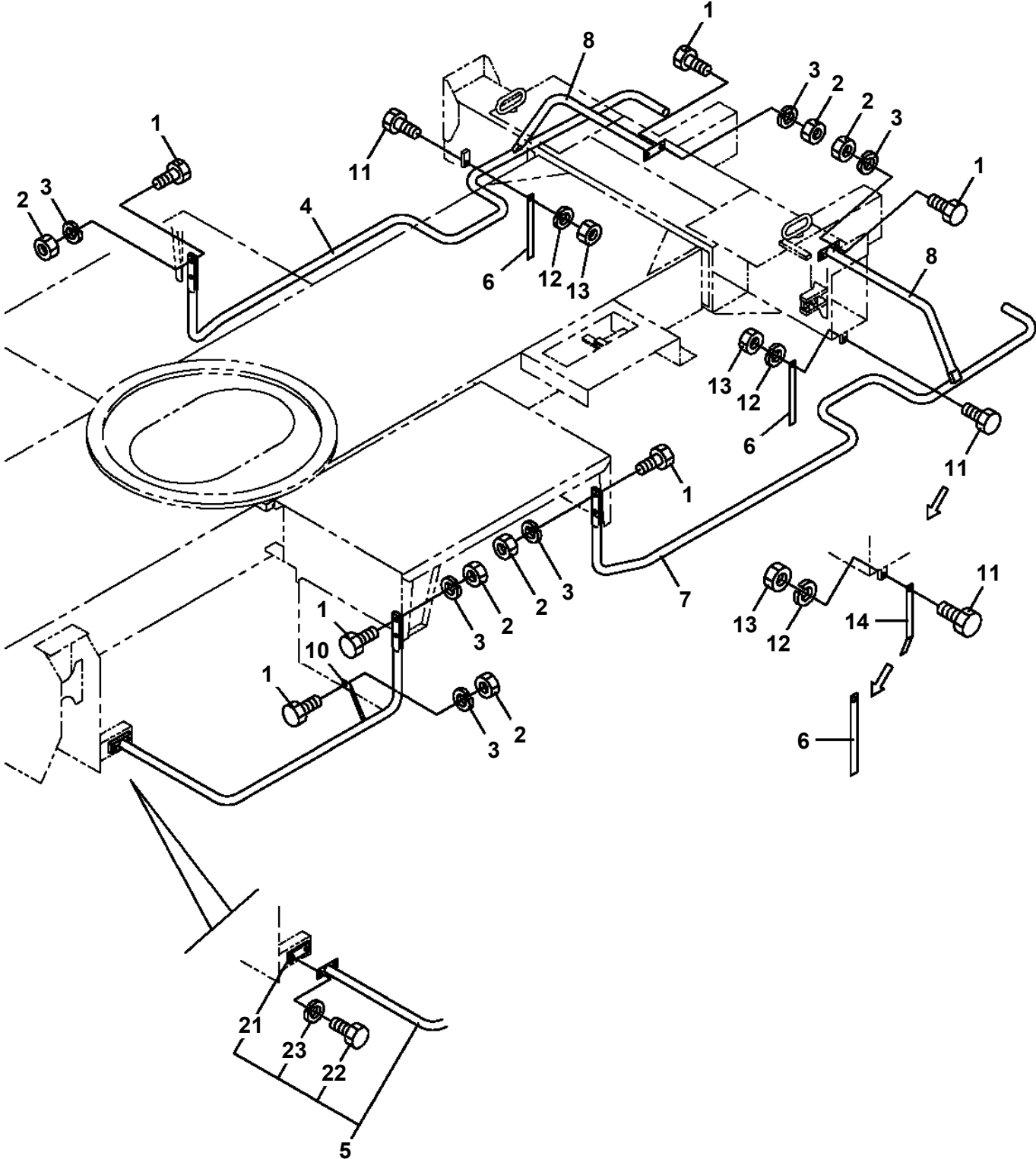
**TS-75M-1-21000 LOWER, MITSUBISHI KC-FK617E3BN
PO1010517-01 PLATE, INDICATION**



**TS-75M-1-21000 LOWER, MITSUBISHI KC-FK617E3BN
PX1120098-00 BOOM REST INSTALLATION**



**TS-75M-1-21000 LOWER, MITSUBISHI KC-FK617E3BN
PX1200219-00 SIDE GUARD INSTALLATION**



CLICK HERE TO **DOWNLOAD** THE COMPLETE MANUAL

- Thank you very much for reading the preview of the manual.
- You can download the complete manual from: www.heydownloads.com by clicking the link below



- Please note: If there is no response to CLICKING the link, please download this PDF first and then click on it.

CLICK HERE TO **DOWNLOAD** THE COMPLETE MANUAL