

TS-75M-1-00008 UPPER

PB1000358-01 HYDRAULIC PRESSURE GENERATING SYSTEM
PC1000284-01 OUTRIGGER SYSTEM
PD1000338-01 SWING SYSTEM
PE1000338-01 ELEVATING SYSTEM
PF1000314-02 WINCH SYSTEM
PG1000308-02 TELESCOPING SYSTEM
PH1000294-02 SAFETY DEVICES
PK1000348-01 FRAME
PL1000348-00 CONTROL DEVICES
PM1000032-01 LUBRICATION DEVICES
PN1000515-00 ELECTRIC EQUIPMENT
PO1000158-00 INDICATION PLATES
PY1000309-02 OPTIONS
ASSEMBLY

CLICK HERE TO **DOWNLOAD** THE COMPLETE MANUAL

- Thank you very much for reading the preview of the manual.
- You can download the complete manual from: www.heydownloads.com by clicking the link below



- Please note: If there is no response to CLICKING the link, please download this PDF first and then click on it.

CLICK HERE TO **DOWNLOAD** THE COMPLETE MANUAL

TS-75M-1-00008 UPPER

Pos No.	Parts No	Parts Name	Qty	Unit	Technical Data	Serial No (Start)	Serial No (End)
1	36092710000	HOOK (MAIN)	1				
2	36092260000	HOOK (AUXILIARY)	1				
3	37001802170	ROPE,WIRE (TESAC)	1				
4	37001800380	ROPE,WIRE (TESAC)	1				
5	(*****)	SOCKET,ROPE	2				
6	(*****)	OPERATION SYSTEM, WINCH BRAKE	1				
7	(*****)	OPERATION SYSTEM, CLUTCH	1				
8	(*****)	MOUNT,WINCH	1				
9	(*****)	MOUNT,ROLLER	1				

TS-75M-1-00008 UPPER

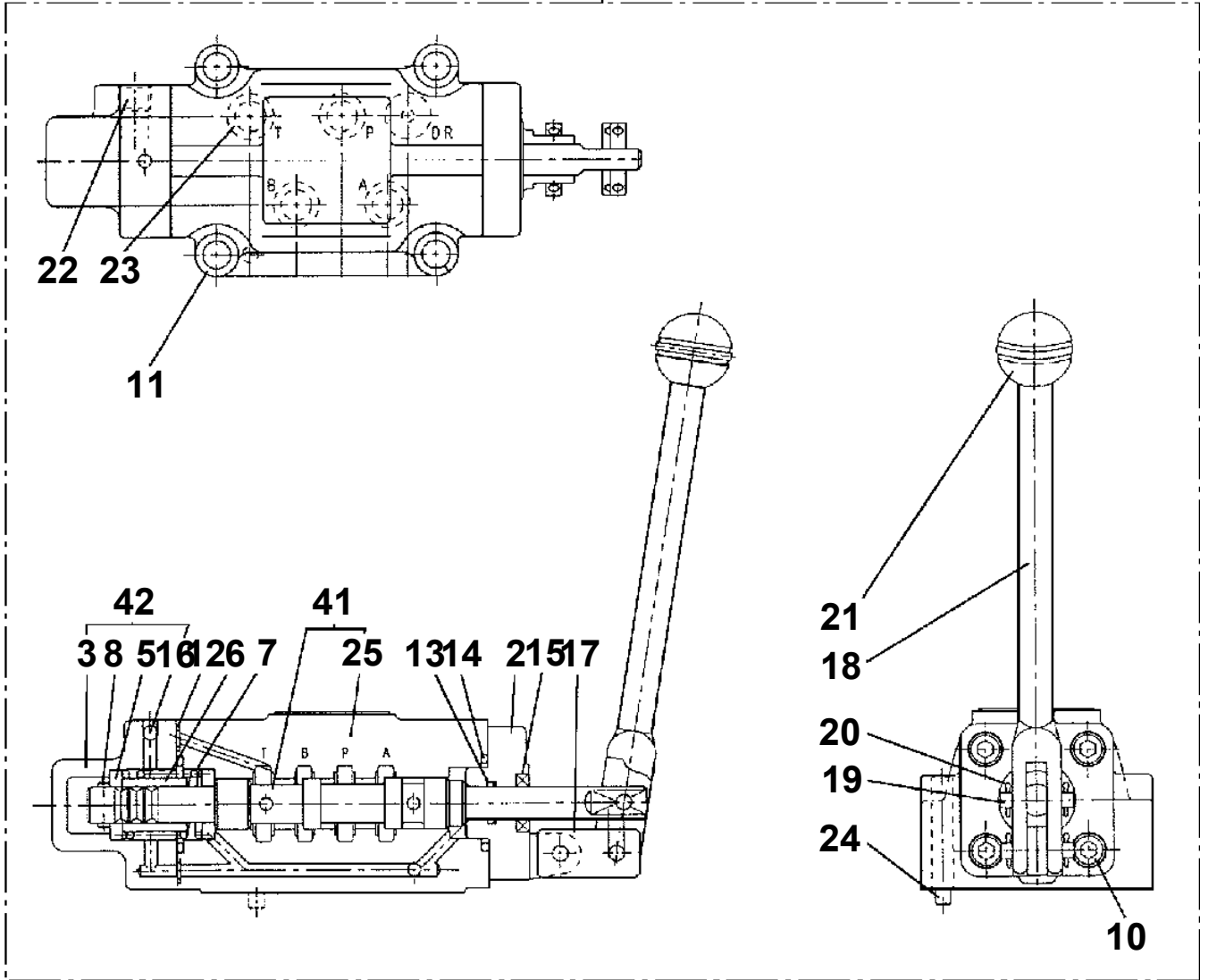
Pos No.	Parts No	Parts Name	Qty	Unit	Technical Data	Serial No (Start)	Serial No (End)	Remarks	Pages
1	(*****)	PARTS,GREASING	1						000092

TS-75M-1-00008 UPPER

Pos No.	Parts No	Parts Name	Qty	Unit	Technical Data	Serial No (Start)	Serial No (End)	Remarks
1	32630210000	JOINT,ROTARY	1					
2	90101210035	BOLT	4		M10X35			
3	90302041001	WASHER,SPRING	8		10			
5	90102210045	BOLT	2		M10X45			
6	90201201000	NUT	2		M10			
7	32630160100	JOINT	1					
8	91002802200	O-RING	5		1B P22			
9	90131510065	BOLT,HEXAGON SOCKET	4		M10X65			
12	90101208016	BOLT	2		M8X16			
13	90302040801	WASHER,SPRING	5		8			
14	32630162200	CASE	1					
15	82100001990	BRUSH	2					
16	80316090120	PLUG	1		KKT PT1			
17	32630010020	BODY	1					
18	91100211000	SEAL,RING	4					
19	80316030040	PLUG	1		PT1/4			
20	32630010030	COVER	1					
21	90303070801	WASHER,PLAIN	2		8			
22	90131508025	BOLT,HEXAGON SOCKET	3		M8X25			
23	80316030060	PLUG	1		PT3/8			
24	80316030080	PLUG	2		PT1/2			
25	91531211000	PACKING	2					
26	32630162300	CORE	1					
27	80562100081	WASHER	1		AW08X			
29	54154109001	RING,SLIP	3					
30	54154111001	INSULATOR	1					
31	32630010050	PLATE	1					
32	80561100080	NUT	1		AN08			
33	56554011000	INSULATOR	3					
34	32630162400	CAM	1					
35	80500051109	BEARING,BALL	1					
38	37000539840	PLATE	1					
39	90131506012	BOLT,HEXAGON SOCKET	2		M6X12			
40	90302040601	WASHER,SPRING	3		6			
41	82100002344	SWITCH,LIMIT	1					
51	82100002288	CONNECTOR	1					
52	82100002258	TERMINAL	4					
57	37002500040	HOSE	1		L=200			
58	14118158000	GROMMET	1					
60	90101206012	BOLT	1		M6X12			
62	82100002004	CLAMP	1		WR8			
63	82100002287	CONNECTOR	1					
64	82100002256	TERMINAL	4					
66	82100002331	PLUG	2					
71	37000900130	JOINT	1					
72	37000906830	JOINT	1		L,3/4-22			
73	37000906820	JOINT	1		L,G1/2-18			

TS-75M-1-00008 UPPER
PB1320463-00 VALVE,MANUAL CONTROL

50

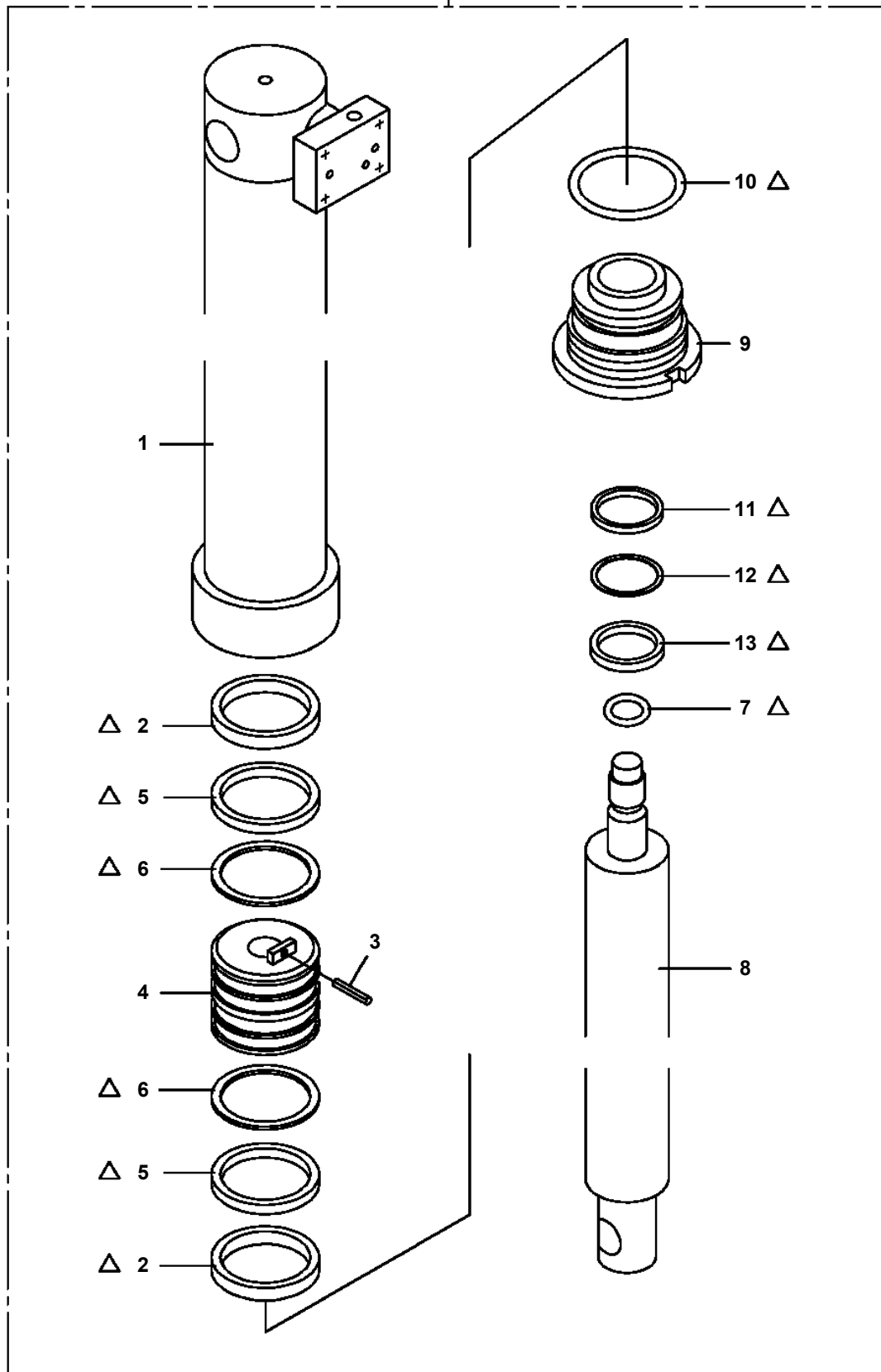


TS-75M-1-00008 UPPER

Pos No.	Parts No	Parts Name	Qty	Unit	Technical Data	Serial No (Start)	Serial No (End)	F
1	81408000130	PIPE,STEEL	2	M	10X1.8T			
2	81408000130	PIPE,STEEL	2	M	10X1.8T			
3	81408000130	PIPE,STEEL	2	M	10X1.8T			
4	81408000130	PIPE,STEEL	2	M	10X1.8T			
5	37002427850	HOSE	2	M	L=360			
7	81408000130	PIPE,STEEL	2	M	10X1.8T			
8	81408000130	PIPE,STEEL	1	M	10X1.8T			
9	81408000130	PIPE,STEEL	1	M	10X1.8T			
10	81408000130	PIPE,STEEL	1	M	10X1.8T			
11	81408000130	PIPE,STEEL	1	M	10X1.8T			
12	81408000130	PIPE,STEEL	1	M	10X1.8T			
13	81408000130	PIPE,STEEL	1	M	10X1.8T			
14	81408000130	PIPE,STEEL	1	M	10X1.8T			
15	81408000130	PIPE,STEEL	1	M	10X1.8T			
16	81408000130	PIPE,STEEL	1	M	10X1.8T			
17	81408000130	PIPE,STEEL	1	M	10X1.8T			
18	81408000130	PIPE,STEEL	1	M	10X1.8T			
19	81408000130	PIPE,STEEL	1	M	10X1.8T			
20	81408000130	PIPE,STEEL	1	M	10X1.8T			
21	81408000130	PIPE,STEEL	1	M	10X1.8T			
22	81408000130	PIPE,STEEL	1	M	10X1.8T			
23	89640402000	HOSE	1					
24	89640401000	HOSE	1					
25	89640401000	HOSE	1					
26	89640401000	HOSE	1					
27	37002429720	HOSE	1		L=600		367624	
	37002425870	HOSE	1		L=600	367625		
28	37002413250	HOSE	1		L=400	367625		
	37002403820	HOSE	1		L=400		367624	
29	37002401980	HOSE	2		L=265			
30	80302010100	FITTING	7		KCT10-020N			
31	80302090101	FITTING	4		KCO10-020N			
32	80320010050	FITTING	2		KUD10-020N			
33	80307010080	FITTING	1					
34	80307030180	FITTING	1		KGA10-030N			
35	80400160102	FITTING	4		20368-U1/4X1/4			
36	80315050020	JOINT	1					
37	80303030100	FITTING,ELBOW	4		KLN10-020N			
39	80305050080	FITTING,TEE	2		KTA10-020N			
40	80305050085	FITTING,TEE	1		KTK10-030N			
41	80305010080	FITTING,TEE	3		KTA10-000N			
42	80400160124	FITTING,TEE	1		20364-U1/4			
43	80305030040	FITTING,TEE	2					
44	80315040040	JOINT	4					
45	80430620400	JOINT	4					
46	37000914960	JOINT	2					
47	91002801100	O-RING	12		1B P11	367625		
	91002801100	O-RING	10		1B P11		367624	
48	14115209000	PACKING	1					
49	80316030040	PLUG	2		PT1/4	367820		
	80316030040	PLUG	4		PT1/4		367819	
50	36670790006	ACCUMULATOR	1					
51	36671250000	FILTER,OIL	1					
52	36681260000	GAUGE,PRESSURE	1					
53	36643370000	VALVE,HYDRAULIC	1					
54	32340020010	SUPPORT ASSY	1					
55	80171104014	SCREW,MACHINE	3		M4X14			
56	90101208016	BOLT	3		M8X16			
57	90201200400	NUT	3		M4			
58	90302040801	WASHER,SPRING	3		8			
59	90302040401	WASHER,SPRING	3		4			
60	37000711080	CLAMP ASSY	4		12-2	368054		
	37000711080	CLAMP ASSY	5		12-2		368053	

TS-75M-1-00008 UPPER
PC1030323-00 CYLINDER,JACK

100

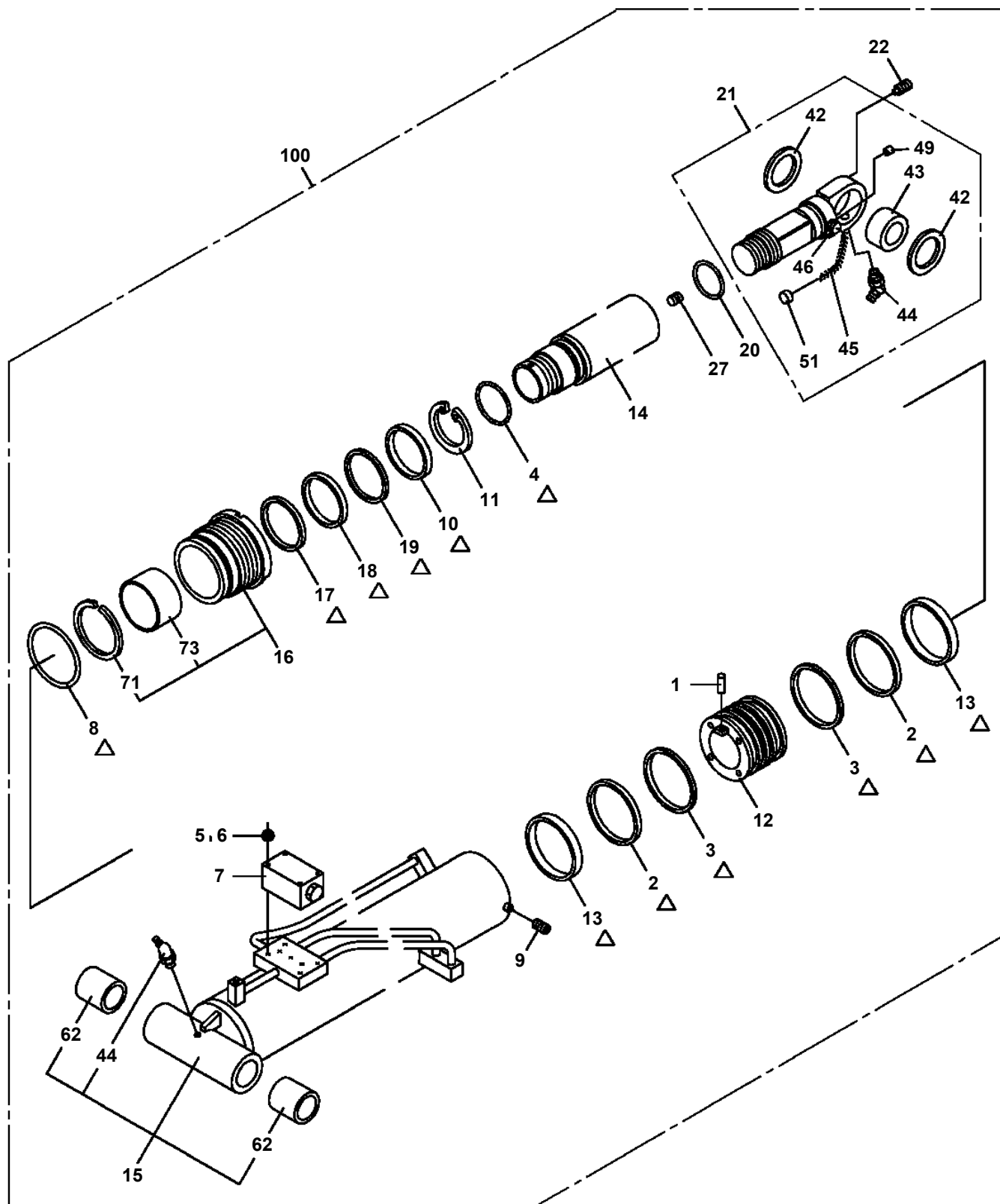


△:PACKING SET KEY NO.50 (KEY NO.2,5,6,7,10,11,12,13)

TS-75M-1-00008 UPPER

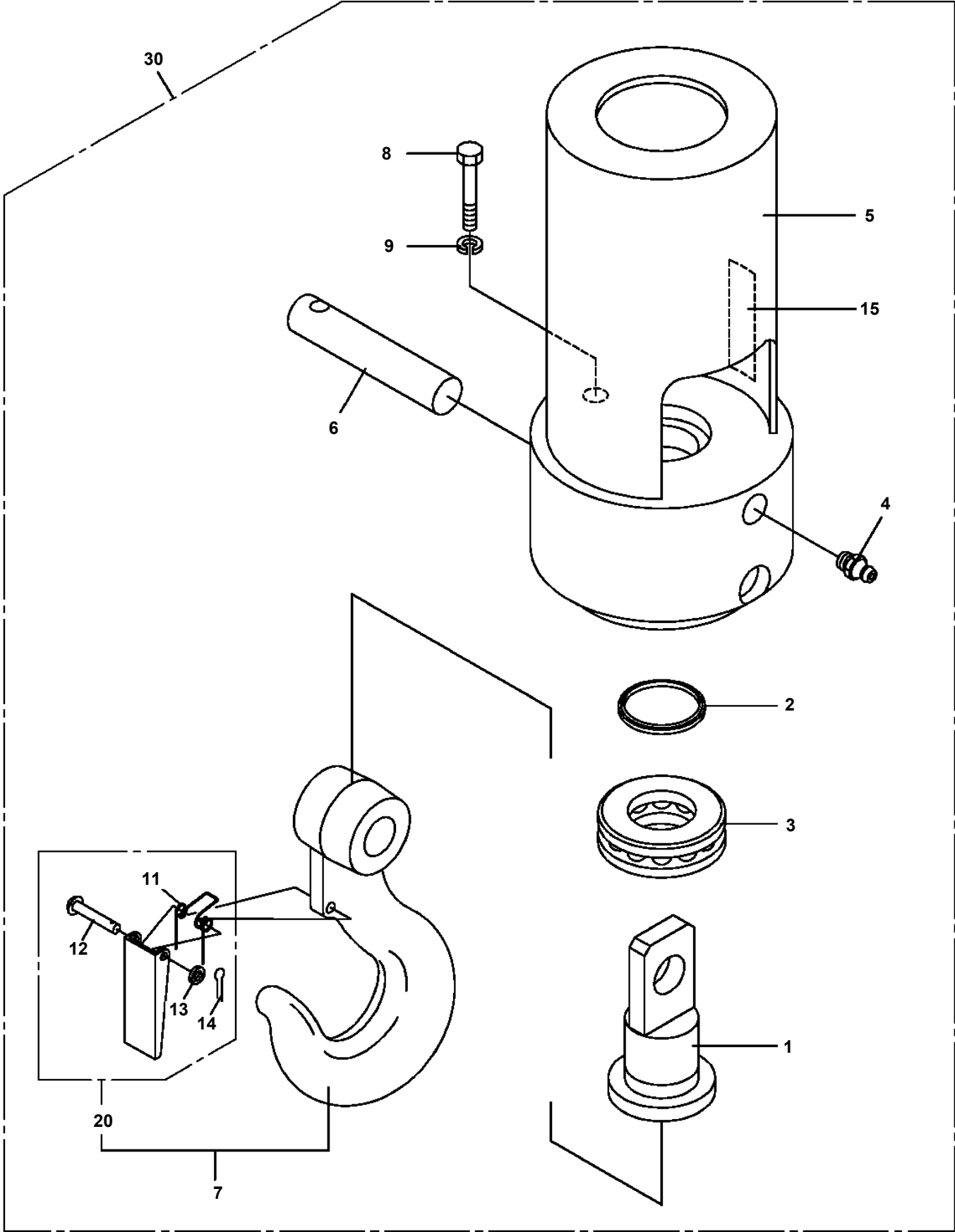
Pos No.	Parts No	Parts Name	Qty	Unit	Technical Data	Serial No (Start)	Serial No (End)	Remarks
1	36631770000	VALVE,MANUAL CONTROL	2					
2	36623570000	VALVE,CHECK	2					
3	36601080000	VALVE,RELIEF	1					
4	80302090161	FITTING	12		KCO12-030N			
5	80302090151	FITTING	1		KCO12-040N			
6	80302090241	FITTING	2		KCO18-040N			
7	91002801400	O-RING	12		1B P14			
8	91002801800	O-RING	3		1B P18			
9	80430410450	JOINT	3					
10	80320010075	FITTING	11		KUD12-020N			
11	80302010160	FITTING	7		KCT12-030N			
12	80316030060	PLUG	1		PT3/8			
13	80303030160	FITTING,ELBOW	8		KLN12-030N			
14	80330001300	FITTING,TEE	2		KTR18-120N			
15	80303010160	FITTING,ELBOW	2		KLA18-000N			
16	80305010100	FITTING,TEE	3		KTA12-000N			
17	80301010100	FITTING	15		KUA12-000N			
18	80301010160	FITTING	3		KUA18-000N			
19	80302010230	FITTING	2		KCT18-030N			
20	80320010180	FITTING	1		KUD22-060N			
21	80303130161	FITTING,ELBOW	4		KLO12-030E			
22	80303030140	FITTING,ELBOW	2		KLN12-020N			
23	37002407220	HOSE	9		L=450			
24	37002412880	HOSE	3		L=475			
25	37000711080	CLAMP ASSY	2		12-2			
26	37000711170	CLAMP ASSY	7		12X3			
27	37000711460	CLAMP ASSY	3		12X6			
28	37000711090	CLAMP ASSY	3		18X2			
29	90101208045	BOLT	2		M8X45			
30	90302040801	WASHER,SPRING	12		8			
31	90101208090	BOLT	8		M8X90			
32	90101208055	BOLT	2		M8X55			
33	90201200800	NUT	6		M8			
34	90101506060	BOLT	2		M6X60			
35	90302040601	WASHER,SPRING	2		6			
36	90201400600	NUT	2		M6			
37	37000711010	CLAMP ASSY	2		18X1			
38	80305100180	FITTING,TEE	1		T,18-18-18			
39	80311010320	FITTING	1		KRE22X180N			
40	80330004900	FITTING,TEE	1		KTR12X18X12			
41	81408000160	PIPE,STEEL	2	M	12X1.4T			
42	81408000160	PIPE,STEEL	2	M	12X1.4T			
43	81408000160	PIPE,STEEL	2	M	12X1.4T			
44	81408000160	PIPE,STEEL	1	M	12X1.4T			
45	81408000160	PIPE,STEEL	1	M	12X1.4T			
46	81408000160	PIPE,STEEL	2	M	12X1.4T			
47	81408000160	PIPE,STEEL	2	M	12X1.4T			
48	81408000160	PIPE,STEEL	2	M	12X1.4T			
49	81408000160	PIPE,STEEL	1	M	12X1.4T			
50	81408000160	PIPE,STEEL	1	M	12X1.4T			
51	81408000160	PIPE,STEEL	2	M	12X1.4T			
52	81408000160	PIPE,STEEL	2	M	12X1.4T			
53	81408000160	PIPE,STEEL	2	M	12X1.4T			
54	81408000160	PIPE,STEEL	1	M	12X1.4T			
55	81408000160	PIPE,STEEL	1	M	12X1.4T			
56	81408000160	PIPE,STEEL	1	M	12X1.4T			
57	81408000160	PIPE,STEEL	1	M	12X1.4T			
58	81408000160	PIPE,STEEL	1	M	12X1.4T			
59	81408000160	PIPE,STEEL	1	M	12X1.4T			
60	81408000160	PIPE,STEEL	1	M	12X1.4T			
61	81408000160	PIPE,STEEL	2	M	12X1.4T			
62	81408000160	PIPE,STEEL	2	M	12X1.4T			
63	81408000160	PIPE,STEEL	2	M	12X1.4T			

**TS-75M-1-00008 UPPER
PE1010302-02 CYLINDER,ELEVATING**



△:PACKING SET KEY NO.80 (KEY NO.2,3,4,8,10,13,17,18,19)

**TS-75M-1-00008 UPPER
PF1050119-02 HOOK (AUXILIARY)**



TS-75M-1-00008 UPPER

Pos No.	Parts No	Parts Name	Qty	Unit	Technical Data	Serial No (Start)	Serial No (End)	Remarks	Pa
95	91694002500	PACKING	2						
98	59457138000	PLUG ASSY	2						

TS-75M-1-00008 UPPER

Pos No.	Parts No	Parts Name	Qty	Unit	Technical Data	Serial No (Start)	Serial No (End)	Rema
4	80731100036	PIN	4					
5	90101516045	BOLT	4		M16X45			
6	90302041601	WASHER,SPRING	4		16			
7	32310090011	SUPPORT	1					
8	32310090020	SUPPORT	2					
9	32310090030	SUPPORT	2					
10	32310000040	BOSS	2					
12	36310200000	CLUTCH,WINCH	2				367945	
	36310050000	CLUTCH,WINCH	2					
13	80516006308	BEARING,BALL	2					
14	80601110400	RING,RITAINING	2		S40			
15	91002801800	O-RING	2		1B P18			
17	90194514028	BOLT	12		M14X28			
18	90302051401	WASHER,SPRING (14)	12					
19	80313010060	PACKING (COPPER 14)	2					
20	90101512045	BOLT	4		M12X45			
21	90302041201	WASHER,SPRING	4		12			
22	90101514055	BOLT	4		M14X55			
23	80731130070	PIN	2					
24	36071430001	WINCH	1					
25	36102363000	TANK	2			367663		
26	36661350000	MOTOR,HYDRAULIC (WINCH)	1					
28	90302041401	WASHER,SPRING	4		14			
29	13643002000	WEDGE	2					
30	36672739510	JOINT,WINCH ROTARY	2					
31	59457138000	PLUG ASSY	1					
32	32310090041	SUPPORT	1					
33	37000307290	SPACER	2					
35	80303080020	JOINT	2		SSTL1/4	367939		
40	32310098011	SUPPORT ASSY	1					
50	32310098021	SUPPORT ASSY	1					

CLICK HERE TO **DOWNLOAD** THE COMPLETE MANUAL

- Thank you very much for reading the preview of the manual.
- You can download the complete manual from: www.heydownloads.com by clicking the link below



- Please note: If there is no response to CLICKING the link, please download this PDF first and then click on it.

CLICK HERE TO **DOWNLOAD** THE COMPLETE MANUAL

TS-75M-1-00008 UPPER

Pos No.	Parts No	Parts Name	Qty	Unit	Technical Data	Serial No (Start)	Serial No (End)	Remark
3	36602500001	VALVE,COUNTERBALANCE	1					
4	90131510065	BOLT,HEXAGON SOCKET	3		M10X65			
5	90302041001	WASHER,SPRING	3		10			
12	37000138410	PIN	1					
13	32210101300	GUARD	1					
14	37000539990	PLATE	2					
15	37000540000	PLATE	2					
16	37000123060	PIN	2					
17	80601110200	RING,RITAINING	2		S20			
18	37001100640	ROLLER ASSY	2					
19	80601110500	RING,RITAINING	2		S50			
20	90101210016	BOLT	1		M10X16			
21	90302041001	WASHER,SPRING	1		10			
22	80185308014	SCREW,MACHINE	2		M8X14			
23	80604110250	RING,RETAINING	4					
31	59457138000	PLUG ASSY	1					
32	80720105025	PIN,SPRING	1		5X25			
33	36010180080	NUT	1					
34	91684112000	PACKING	2					
35	91411210501	RING,BACKUP	2					
36	36012940010	PISTON	1					
37	91002907500	O-RING	1		1B G75			
38	36013030101	ROD	1					
39	36013039520	CYLINDER	1					
40	91002911500	O-RING	1		1B G115			
41	91694110500	PACKING	1					
42	91410210502	RING,BACKUP (WHITE)	1					
43	36012940040	COVER,ROD	1					
44	91660010502	SEAL,DUST	1					
55	80516006004	BEARING,BALL	4					
70	36013039900	PACKING SET	1		105X120			
100	36013039511	CYLINDER,TELESCOPING	1					

TS-75M-1-00008 UPPER

Pos No.	Parts No	Parts Name	Qty	Unit	Technical Data	Serial No (Start)	Serial No
1	32370002100	SUPPORT	1				
2	32370002110	GASKET	1				
3	32370002121	COVER	1				
4	80172303025	SCREW,MACHINE	2		M3X25		
5	90302040301	WASHER,SPRING	2		3		
6	82100001355	SWITCH,LIMIT	1				
7	32370002131	ROD	1				
8	14148373001	SPRING	1				
9	80601110180	RING,RITAINING	1		S18		
10	32370002161	SUPPORT	1				367946
	34371314400	SUPPORT	1			367947	
11	90303070301	WASHER,PLAIN	2		3		
12	82100002505	CONNECTOR (CN-6)	1				
13	82100002506	CONNECTOR	1				
14	32370154070	CORD	1				
15	32370154080	CORD	1				
16	82100000592	TERMINAL (M40.3 TO 1.25)	2				
17	89630201000	HOSE,VINYL	1		6X8,1M		
18	14148375000	GROMMET	1				
19	90101208045	BOLT	2		M8X45		
20	90302040801	WASHER,SPRING	2		8		
22	82100001220	INSULATOR	2				
30	32370009511	ROD ASSY	1				367946
	32370009512	ROD ASSY	1			367947	
31	32370002150	SPACER	1		L=12 TO 11		
32	80720103014	PIN,SPRING	1		3X14		
50	32370150030	SWITCH,OVER WIND DETECTOR (JIB&S/T)	1				

TS-75M-1-00008 UPPER

Pos No.	Parts No	Parts Name	Qty	Unit	Technical Data	Serial No (Start)	Serial No (E
1	36113155010	ESCUTCHEON	1				
2	36113155020	PANEL,FRONT (WITH DISPLAY BOARD)	1				
3	36113155030	BOARD,CPU (MAIN,WITHOUT P-ROM)	1				
4	36113155040	BOARD,ANALOG (ADC)	1				
5	36113155050	BOARD,CONNECTOR	1				
6	36113155060	PLATE	1				
7	36113155070	CABLE ASSY	1				
8	82100000689	FUSE	1		3A,6.5X30		
9	82100000791	FUSE	1		5A,6.5X30		
10	(*****)	P-ROM	1				
11	36113155080	PLATE ASSY	1				
20	36113151000	MOMENT LIMITER (M2/WITHOUT P-ROM)	1				
50	36114100000	MOMENT LIMITER (AML-M2)	1				

TS-75M-1-00008 UPPER

Pos No.	Parts No	Parts Name	Qty	Unit	Technical Data	Serial No (Start)	Serial No (End)
1	36661360000	MOTOR ASSY (WINCH)	1				
2	36602570000	VALVE,COUNTERBALANCE (WINCH)	1				
3	36661355010	BUSHING (WITH O-RING)	1				
11	91002801100	O-RING	1		1B P11		
21	36661365010	ROTARY GROUP	1				
25	36661365020	O-RING	1				
27	36661365030	O-RING	1				
28	90131508025	BOLT,HEXAGON SOCKET	6		M8X25		
29	90302040801	WASHER,SPRING	6		8		
37	36661365040	CASE	1				
42	80602110800	RING,RITAINING	1		R80		
46	36661365050	O-RING	1				
47	36650115050	SEAL,OIL	1				
53	36661365060	KEY	1				
70	36661350000	MOTOR,HYDRAULIC (WINCH)	1				

TS-75M-1-00008 UPPER

Pos No.	Parts No	Parts Name	Qty	Unit	Technical Data	Serial No (Start)	Serial No (End)	Remarks
3	36645545010	ELEMENT,FILTER	2					
6	91001101001	O-RING	2		1A P10A			
7	91002801400	O-RING	2		1B P14			
8	36645545020	VALVE,SOLENOID	1				368042	
	36645545021	VALVE,SOLENOID	1			368043		
18	36642935040	RING	4					
19	36643385010	O-RING	2			368043		
	36646085020	O-RING	2				368042	
22	36642935021	SOLENOID	1				368042	
	36642935022	SOLENOID	1			368043		
25	90131505050	BOLT,HEXAGON SOCKET	4		M5X50			
100	36645540000	VALVE,SOLENOID	1					

TS-75M-1-00008 UPPER

Pos No.	Parts No	Parts Name	Qty	Unit	Technical Data	Serial No (Start)	Serial No (End)	Remark
3	91002801800	O-RING	2		1B P18			
7	36601665020	SPRING	1					
10	91001001000	O-RING	1		1A S10			
11	36601665030	SPRING	1					
13	91002803400	O-RING	1		1B P34			
14	36601665050	O-RING	1		P25	367964		
	91002802500	O-RING	1		1B P25		367963	
15	91410002500	RING,BACKUP	1		P25			
18	91002802600	O-RING	1		1B P26			
19	91001301600	O-RING	1		WP16			
20	91002801000	O-RING	1		1B P10			
21	91410001000	RING,BACKUP	1		P10			
50	36602500001	VALVE,COUNTERBALANCE	1					

TS-75M-1-00008 UPPER

Pos No.	Parts No	Parts Name	Qty	Unit	Technical Data	Serial No (Start)	Serial No (End)	Remarks	Pages
1	32620470010	FRAME	1						
2	37001504930	BOLT	10		M16X75				
3	37001500610	BOLT	26		M16X105				
4	90201701600	NUT	26		M16				
5	90303501601	WASHER,PLAIN	26		16				
29	37000169190	PIN	4						
37	82100001173	CLAMP ASSY	9		L=65				

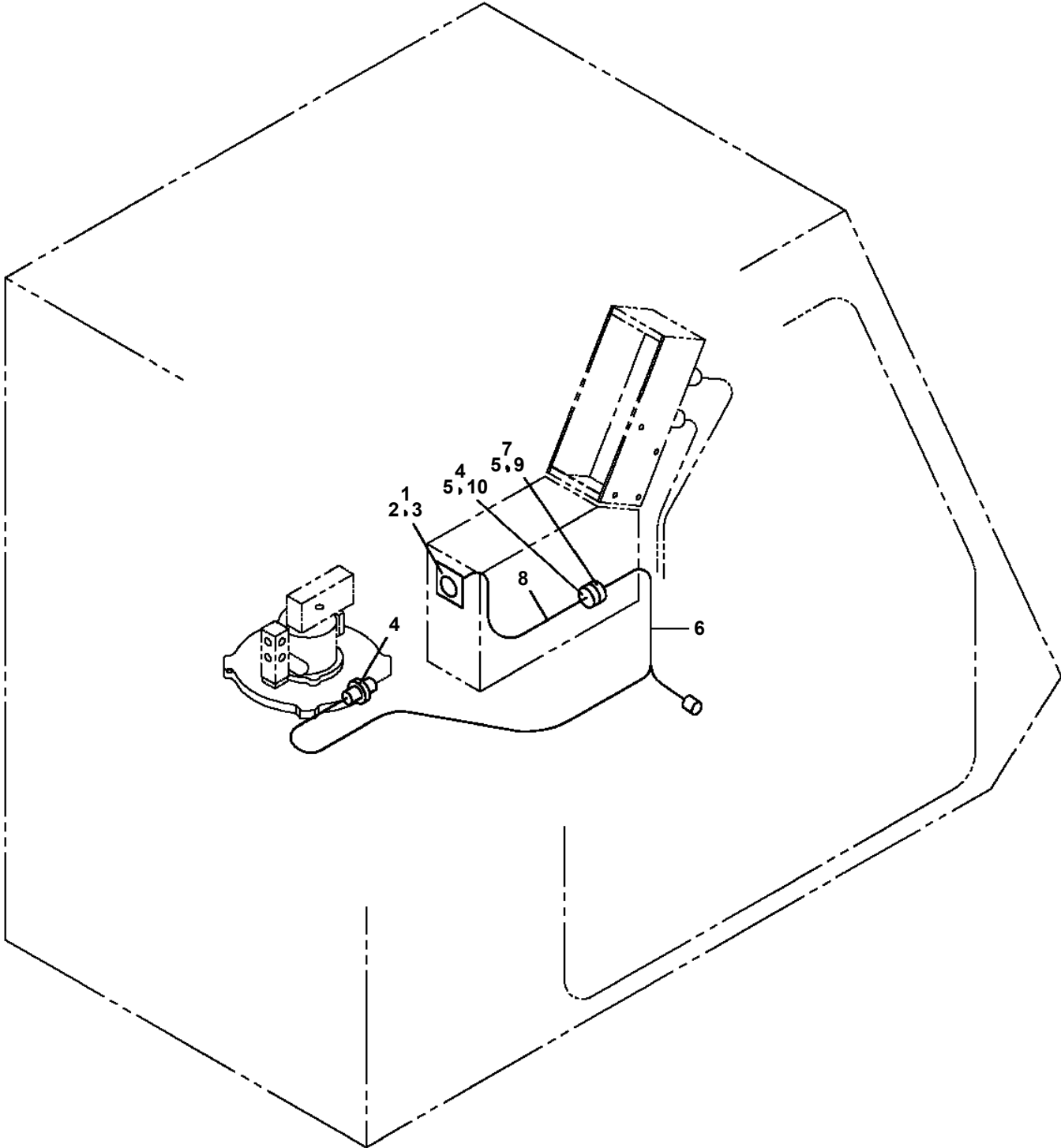
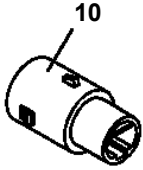
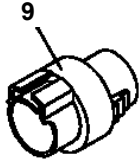
TS-75M-1-00008 UPPER

Pos No.	Parts No	Parts Name	Qty	Unit	Technical Data	Serial No (Start)	Serial No (End)
1	(*****)	ELECTRICAL PARTS,CAB	1			367971	368009
	(*****)	ELECTRICAL PARTS,CAB	1			368010	
	(*****)	ELECTRICAL PARTS,CAB	1				367970
2	32260227590	GLASS (FRONT)	1				
3	32260227940	RUBBER (H,FRONT)	1				
4	32260227970	WEDGE (H RUBBER/FRONT)	1				
5	32260227800	PACKING (DOOR)	1				
6	32260227710	GLASS (DOOR)	2				
7	32260227720	GLASS (REAR RIGHT)	1				
8	32260227950	RUBBER (H)	1				
9	32260227990	WEDGE (REAR RIGHT GLASS)	1				
10	32260227730	SASH ASSY (GLASS)	1				
11	32260227920	RUBBER (U)	1				
12	32260227510	GLASS (ROOF)	1				
13	32260227930	ADHESIVE (AUTO DAIN/ TAPEX4,TUBEX1)	1				
14	32260227630	GLASS (REAR)	1				
15	32260227660	STRIP,WATER	1				
16	34260237810	HANDLE ASSY (GLASS)	1				
17	34260237830	HOLDER ASSY (GLASS/REAR)	2				
18	33260545020	BLADE,WIPER	2				
19	32260227570	ARM,WIPER	2				
20	32260227580	MOTOR,WIPER	1				
21	32260227520	MOTOR (ROOF WIPER)	1				
22	32260228030	TRIM	1				
23	32260227831	RAIL (LOWER)	1				
24	32260227611	DOOR ASSY	1				
25	32260227550	HANDLE ASSY	1				
26	32260227701	COVER (HANDLE)	1				
27	32260227780	ROLLER ASSY	2				
28	32260227790	CATCH ASSY (BALL)	1				
29	32260227600	SASH ASSY (WITH GLASS)	1				
30	32260228050	RUBBER (U/SASH GLASS)	1				
32	32260227960	RUBBER (H)	1				
33	32260228000	WEDGE (DOOR GLASS)	1				
34	32260227820	STRIKER ASSY	1				
35	32260228040	COVER ASSY (LOWER RAIL)	1				
36	32260227840	GRIP ASSY (FRONT)	1				
37	32260227850	COVER ASSY (REAR)	1				
38	32260227860	TRIM (DOOR)	1				
39	32260227870	TRIM (ROOF)	1				
40	32260227620	LAMP,ROOM	1				
41	82100000786	BULB,LAMP	1		24V 10W		
42	32260227901	COVER ASSY	1				
43	32260227890	PLATE	6				
44	32260237550	PACKING	6				
51	32260227670	GLASS (FRONT)	1				
52	32260227680	GLASS (REAR)	1				
53	32260015700	WEATHER STRIP (L=607/FRAME SET)	1				
55	32260228160	RUN CHANNEL	2		L=2450		
56	32260228170	SUPPORT (STRIKER)	1				
57	32260228180	LOCK ASSY	1				
58	32260228190	STRIKER (FRONT)	1				
59	32260228200	STOPPER	1				
61	32260227750	GLASS (FRONT)	1				
62	32260227740	GLASS (REAR)	1				
63	32260015690	WEATHER STRIP	1		L=555		
65	32260228100	RUN CHANNEL	2		L=3090		
66	32260015380	GUIDE (BUSH)	7				
67	32260228070	LOCK ASSY (FRONT)	1				
68	32260228110	LOCK ASSY (REAR)	1				
69	32260228120	STRIKER (FRONT)	1				
71	32260228280	DOOR ROCK ASSY	1				
72	32260228290	INSIDE HANDLE	1				

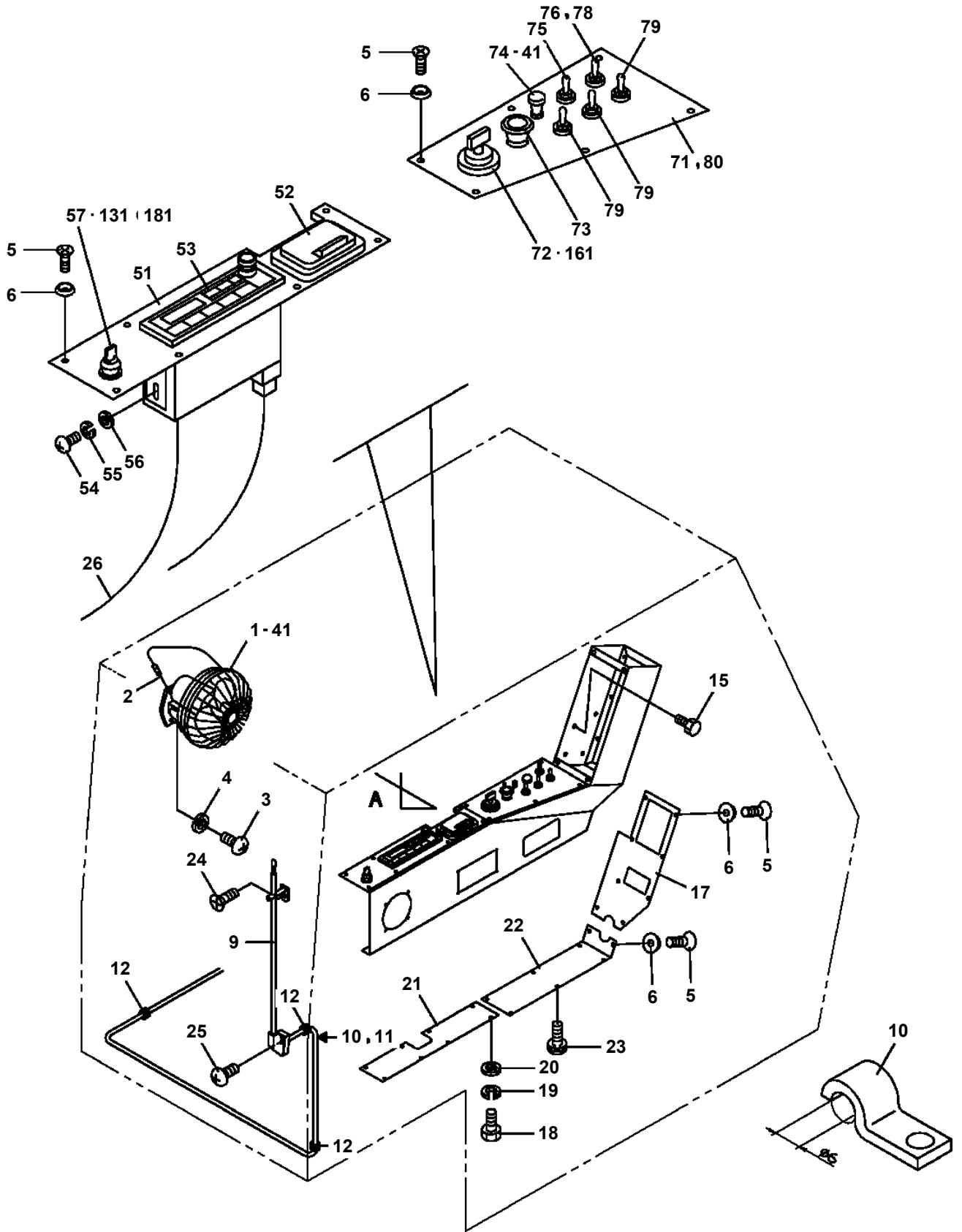
TS-75M-1-00008 UPPER

Pos No.	Parts No	Parts Name	Qty	Unit	Technical Data	Serial No (Start)	Serial No (End)	Remarks
1	90101210035	BOLT	2		M10X35			
2	90302041001	WASHER,SPRING	4		10			
3	32320118220	ROD ASSY	3					
6	90101210018	BOLT	1		M10X18			
7	37000105730	PIN	8					
8	90303070801	WASHER,PLAIN	8		8			
9	80136320016	PIN,SPLIT	8		2X16			
10	32320118030	ROD ASSY	1					
13	32320000080	PLATE	2		T=1.0			
14	37000104750	PIN	1					
15	14148375000	GROMMET	1					
16	90101206018	BOLT	1		M6X18			
17	82100002002	CLAMP	1		WR6			
18	90302040601	WASHER,SPRING	1		6			
19	90201200600	NUT	1		M6			
20	82100002344	SWITCH,LIMIT	4					
21	36633400001	VALVE,MANUAL CONTROL	1			368110		
	36633400000	VALVE,MANUAL CONTROL	1				368109	
22	90203201000	NUT	4		M10			
23	32320000010	END	4					
24	32320110100	ROD	3					
26	32320110400	ROD	1					
31	33320001090	KNOB (RED)	1					
34	33320001450	SLEEVE	4					
35	90710006060	SCREW,SET	4		M6X6			
36	32320110210	LEVER	4					
37	32320110220	LEVER	1					
38	82100001033	SWITCH,PUSH	1					
39	32320110230	CABLE	1					
40	82100001035	GROMMET	1					
41	82100002261	CONNECTOR (2POLES,MALE)	1					
42	82100002256	TERMINAL	2					
51	33320001100	KNOB (BLACK)	3					
52	37001601520	NUT	4		M12			
53	32320110250	NUT (BLACK)	4					
57	32320110710	LEVER	1					
67	32320110510	LEVER	1					
77	32320110810	LEVER	1					
82	80804022010	BEARING,PLAIN	8					
92	90302041001	WASHER,SPRING	1		10			
93	90101210018	BOLT	1		M10X18			
104	32250154000	COVER	1					
110	32320118040	LEVER ASSY	1					

TS-75M-1-00008 UPPER
PN1011524-00 ELEC.ASSY (WITH ENGINE STOP)



TS-75M-1-00008 UPPER
PN1050181-01 ELECTRICAL PARTS,CAB



TS-75M-1-00008 UPPER
PP5240001-00 PLATE,NAME (STD OPERATION MARK)

当銘板については、弊社出先サービス員経由で御用命ください。

FOR THIS NAMEPLATE, CONTACT
TADANO DISTRIBUTOR OR DEALER.

CLICK HERE TO **DOWNLOAD** THE COMPLETE MANUAL

- Thank you very much for reading the preview of the manual.
- You can download the complete manual from: www.heydownloads.com by clicking the link below



- Please note: If there is no response to CLICKING the link, please download this PDF first and then click on it.

CLICK HERE TO **DOWNLOAD** THE COMPLETE MANUAL