

**TS-75M-1-30100 LOWER,HINO P-FD161CD**

PX1000198-03 MOUNTING PARTS

PY1000899-00 OPTIONS

ASSEMBLY

CLICK HERE TO **DOWNLOAD** THE COMPLETE MANUAL

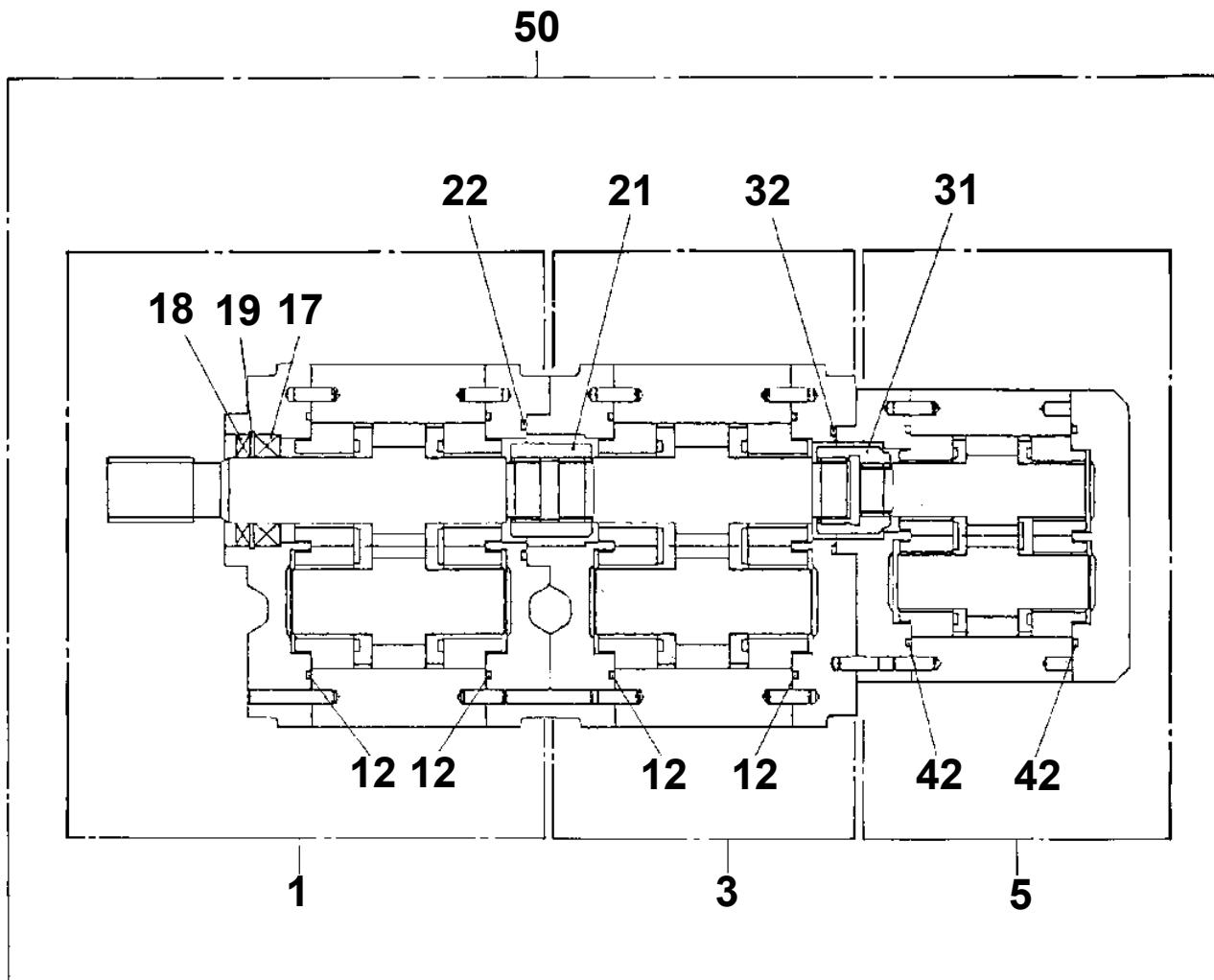
- Thank you very much for reading the preview of the manual.
- You can download the complete manual from: [www.heydownloads.com](http://www.heydownloads.com) by clicking the link below



- Please note: If there is no response to CLICKING the link, please download this PDF first and then click on it.

CLICK HERE TO **DOWNLOAD** THE COMPLETE MANUAL

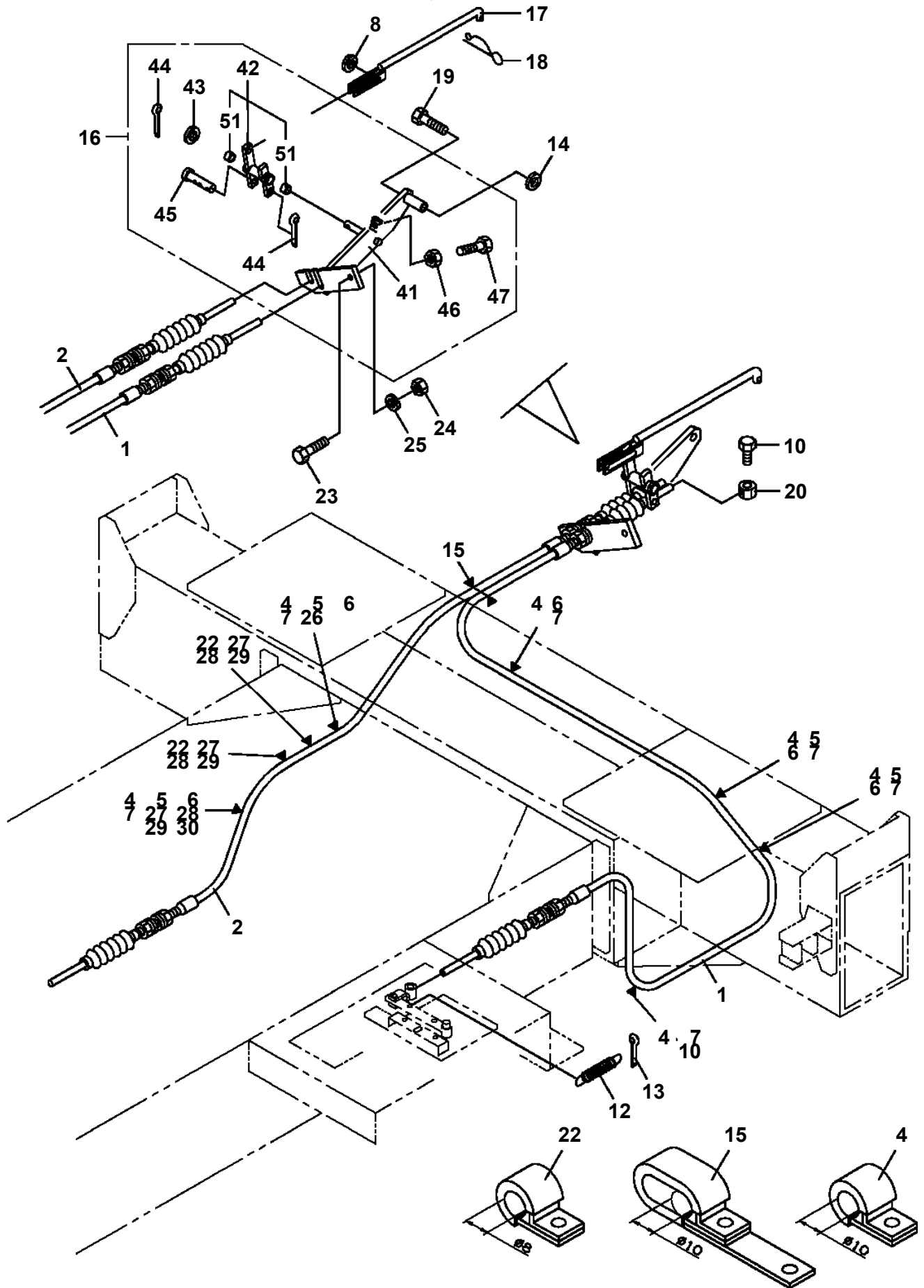
**TS-75M-1-30100 LOWER,HINO P-FD161CD  
PB1100049-00 PUMP,HYDRAULIC**



**TS-75M-1-30100 LOWER,HINO P-FD161CD**

Pos No.	Parts No	Parts Name	Qty	Unit	Technical Data	Serial No (Start)	Serial No (End)	Remarks	Pages
1	32640630100	SUPPORT	1						
2	82100002040	CLAMP	3		WE15				
3	90101208020	BOLT	5		M8X20				
4	90303070801	WASHER,PLAIN	7		8				
5	90302040801	WASHER,SPRING	7		8				
6	90201200800	NUT	7		M8				
7	90101208025	BOLT	2		M8X25				
8	37000540490	SUPPORT	1						
9	32640550020	SUPPORT	1						
10	37000603140	CLAMP	1						
11	37002429340	HOSE	2		L=2850				
14	90101210025	BOLT	1		M10X25				
15	90201201000	NUT	1		M10				
16	90302041001	WASHER,SPRING	1		10				
17	90303071001	WASHER,PLAIN	1		10				
18	91810130250	FASTENER	3						

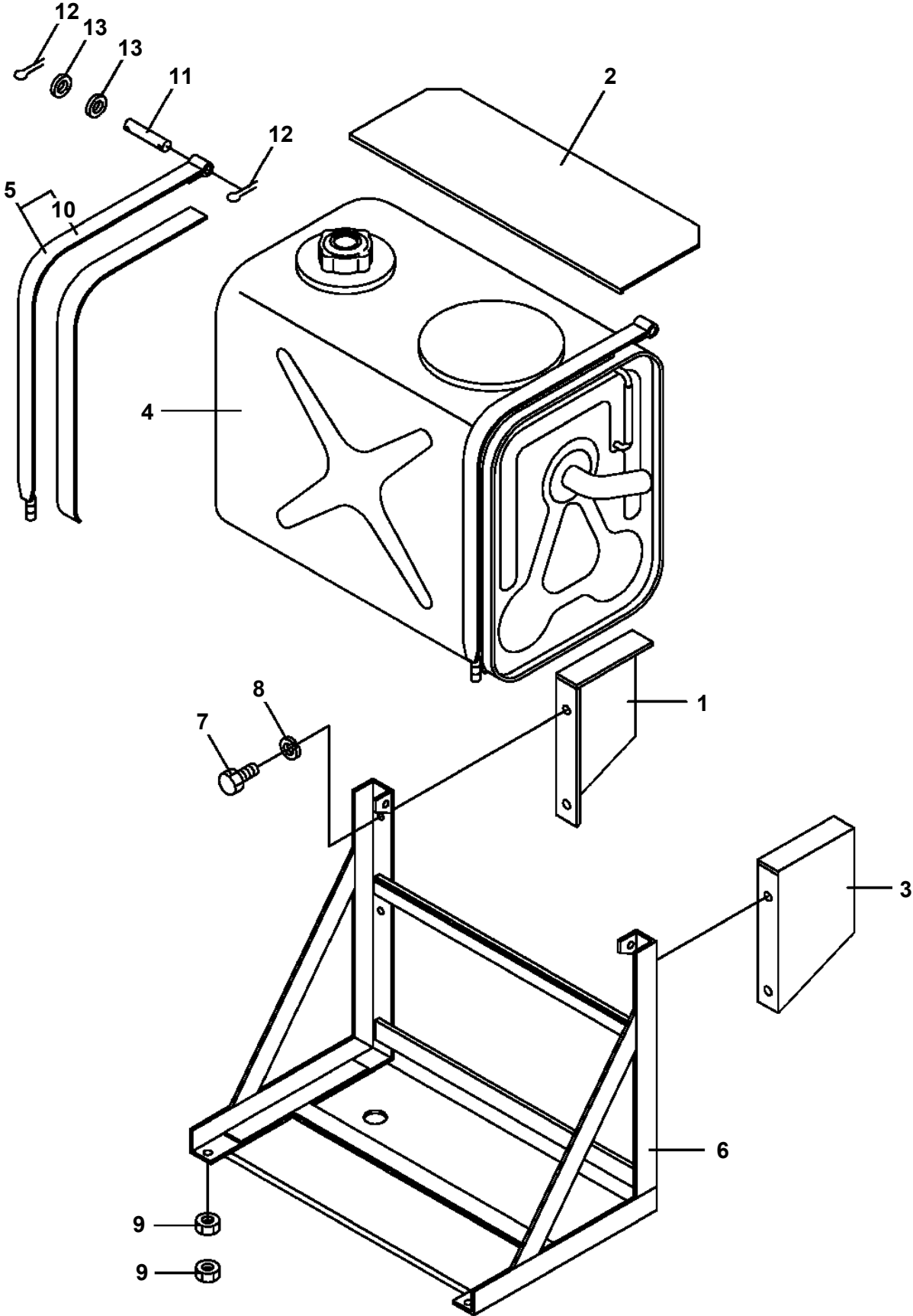
TS-75M-1-30100 LOWER, HINO P-FD161CD  
PL1030158-00 OPERATION SYSTEM, ACCELERATOR



# TS-75M-1-30100 LOWER,HINO P-FD161CD

Pos No.	Parts No	Parts Name	Qty	Unit	Technical Data	Serial No (Start)	Serial No (End)	Remarks	Pages
1	32651991100	HARNESS	1						
2	82161201010	RELAY	1						
3	82100000192	TERMINAL	3						
4	82100000182	INSULATOR	3						
5	82100000191	TERMINAL	4						
6	82100000183	INSULATOR	4						
7	91810132530	FASTENER	20						

**TS-75M-1-30100 LOWER,HINO P-FD161CD  
PX1100069-02 TANK SUPPORT INSTALLATION**



# TS-75M-1-30100 LOWER,HINO P-FD161CD

Pos No.	Parts No	Parts Name	Qty	Unit	Technical Data	Serial No (Start)	Serial No (End)	Remarks	Pages
1	90101210035	BOLT	11		M10X35	239798			
	90101210035	BOLT	10		M10X35		239797		
2	90201201000	NUT	10		M10		239797		
	90201201000	NUT	11		M10	239798			
3	90302041001	WASHER,SPRING	10		10		239797		
	90302041001	WASHER,SPRING	11		10	239798			
4	32760770010	GUARD,SIDE	1						
5	32760770020	GUARD,SIDE	1						
6	37000506090	PLATE	1			367181	367306		
	37000506090	PLATE	2				367180		
	37000506090	PLATE	2			367307			
7	32772421000	GUARD,SIDE	1			367307			
	32760770030	GUARD,SIDE	1				367306		
8	32760070050	SUPPORT	2				367580		
	32772474000	SUPPORT	2			367581			
10	32760770050	SUPPORT	1						
11	90101212035	BOLT	2		M12X35				
12	90302041201	WASHER,SPRING	2		12				
13	90201201200	NUT	2		M12				
14	32760770060	SUPPORT	1			367181	367306		
21	56360013000	PLATE	1						
22	90101210016	BOLT	2		M10X16				
23	90302041001	WASHER,SPRING	2		10				

CLICK HERE TO **DOWNLOAD** THE COMPLETE MANUAL

- Thank you very much for reading the preview of the manual.
- You can download the complete manual from: [www.heydownloads.com](http://www.heydownloads.com) by clicking the link below



- Please note: If there is no response to CLICKING the link, please download this PDF first and then click on it.

CLICK HERE TO **DOWNLOAD** THE COMPLETE MANUAL