

TS-75M-1-11200 LOWER,NISSAN KC-LK211BN

PX1000369-02 MOUNTING PARTS

PY1001054-01 OPTIONS

ASSEMBLY

CLICK HERE TO **DOWNLOAD** THE COMPLETE MANUAL

- Thank you very much for reading the preview of the manual.
- You can download the complete manual from: www.heydownloads.com by clicking the link below



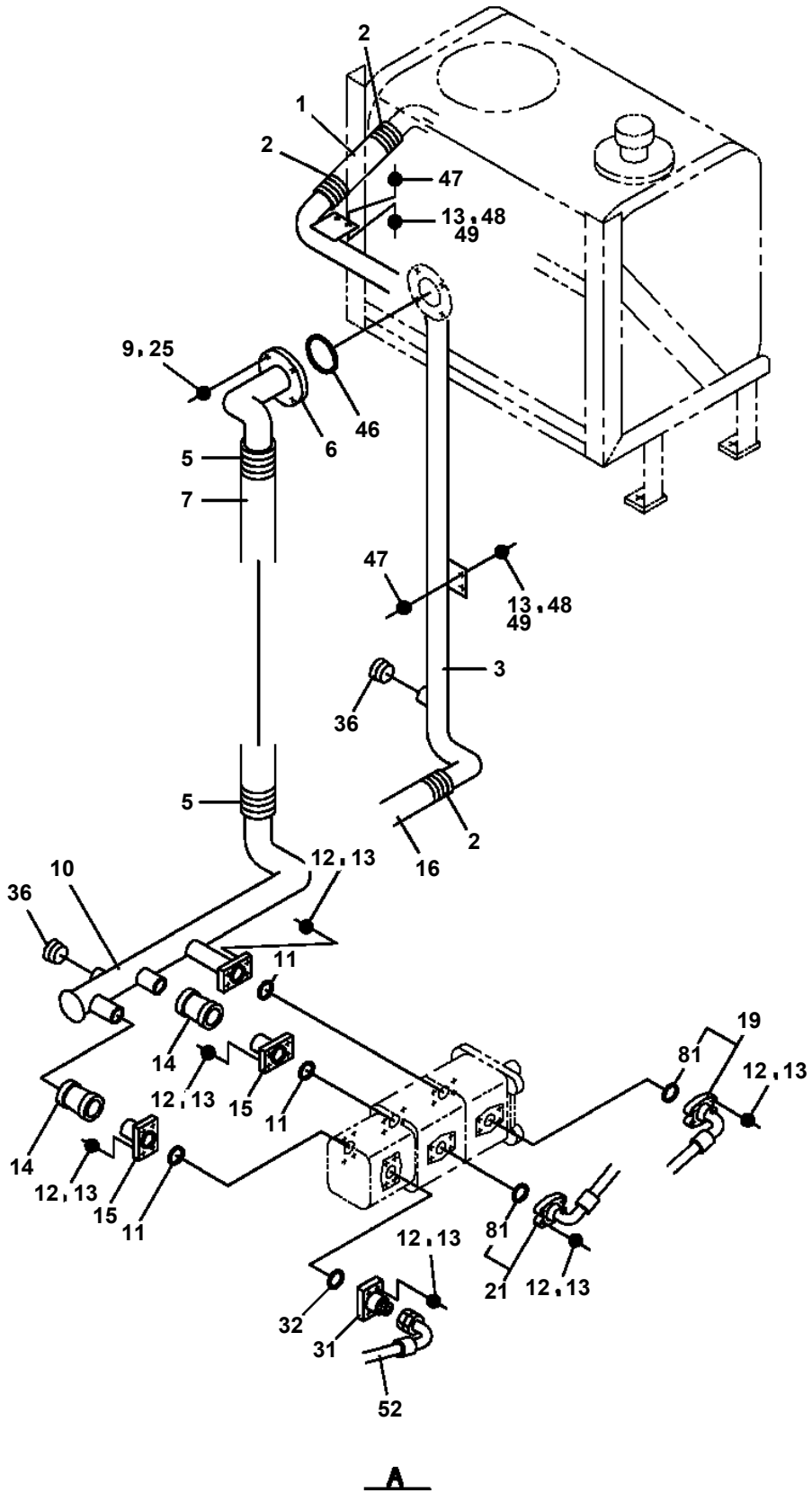
- Please note: If there is no response to CLICKING the link, please download this PDF first and then click on it.

CLICK HERE TO **DOWNLOAD** THE COMPLETE MANUAL

TS-75M-1-11200 LOWER,NISSAN KC-LK211BN

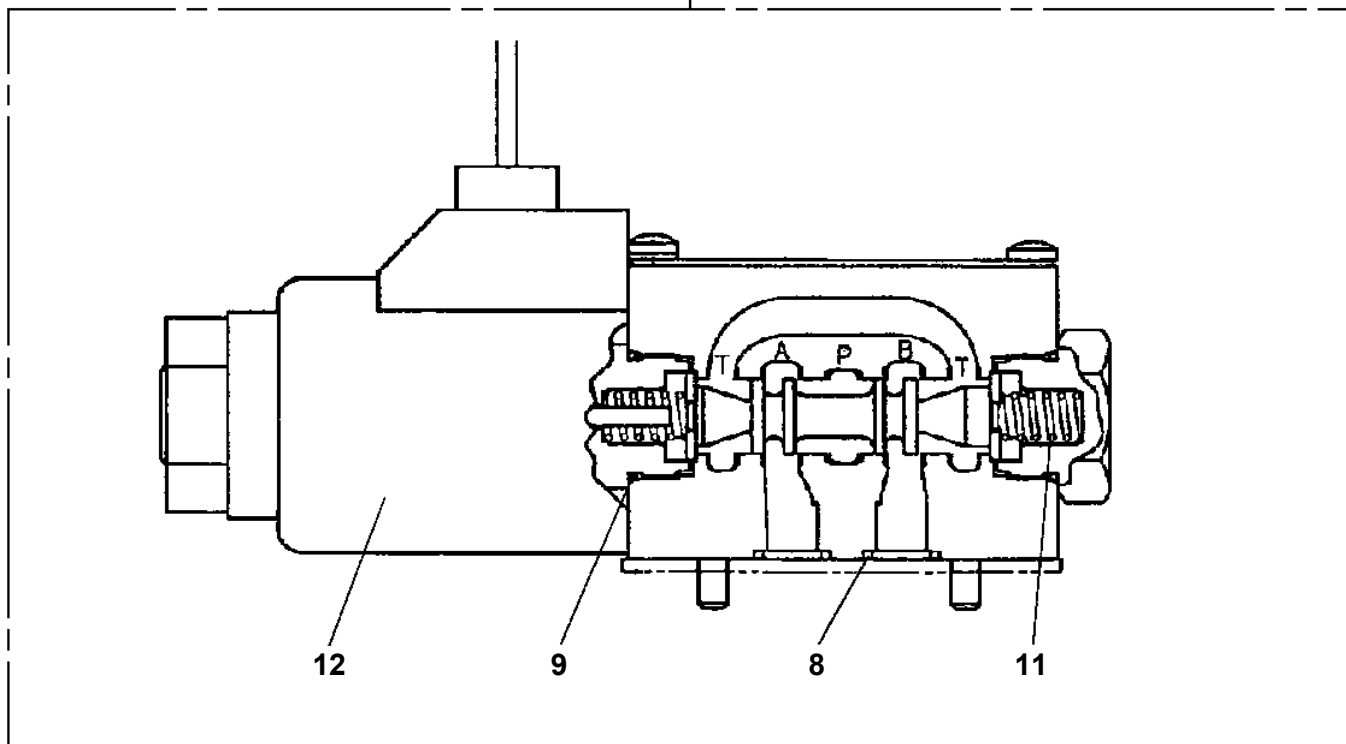
Pos No.	Parts No	Parts Name	Qty	Unit	Technical Data	Serial No (Start)	Serial No (End)	Remarks	Pages
1	36651765010	PUMP ASSY (NO.1)	1						
3	36651765030	PUMP ASSY (NO.2)	1						
5	36651765050	PUMP ASSY (NO.3)	1						
12	91002909500	O-RING	4		1B G95				
17	36650885030	SEAL,OIL	1						
18	36650885040	SEAL,OIL	1						
19	80602110480	RING,RITAINING	1		R48				
21	36650205010	JOINT	1						
22	91002905500	O-RING	1		1B G55				
31	36650205020	JOINT	1						
32	91002905000	O-RING	1		1B G50				
42	91002907500	O-RING	2		1B G75				
50	36651760000	PUMP,HYDRAULIC	1						

TS-75M-1-11200 LOWER,NISSAN KC-LK211BN
PB1411185-00 PIPING,LOWER

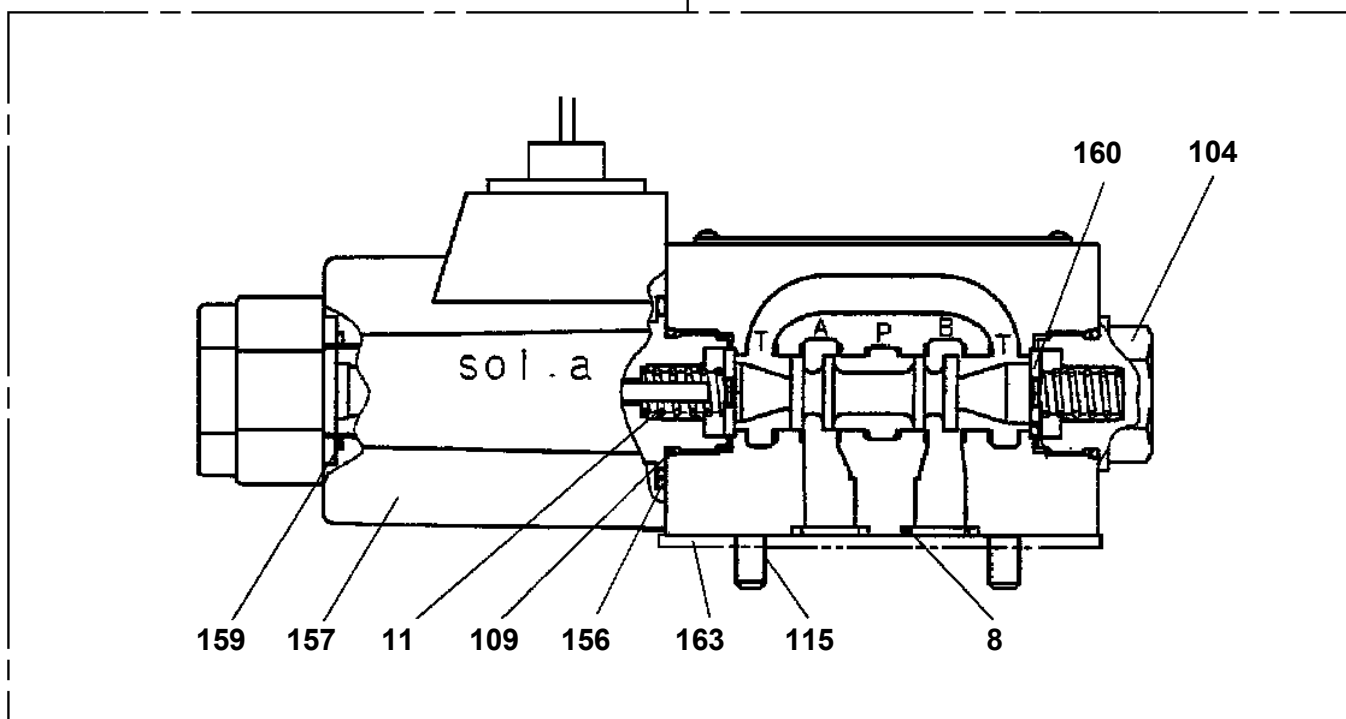


TS-75M-1-11200 LOWER,NISSAN KC-LK211BN
PI1120265-01 VALVE,SOLENOID

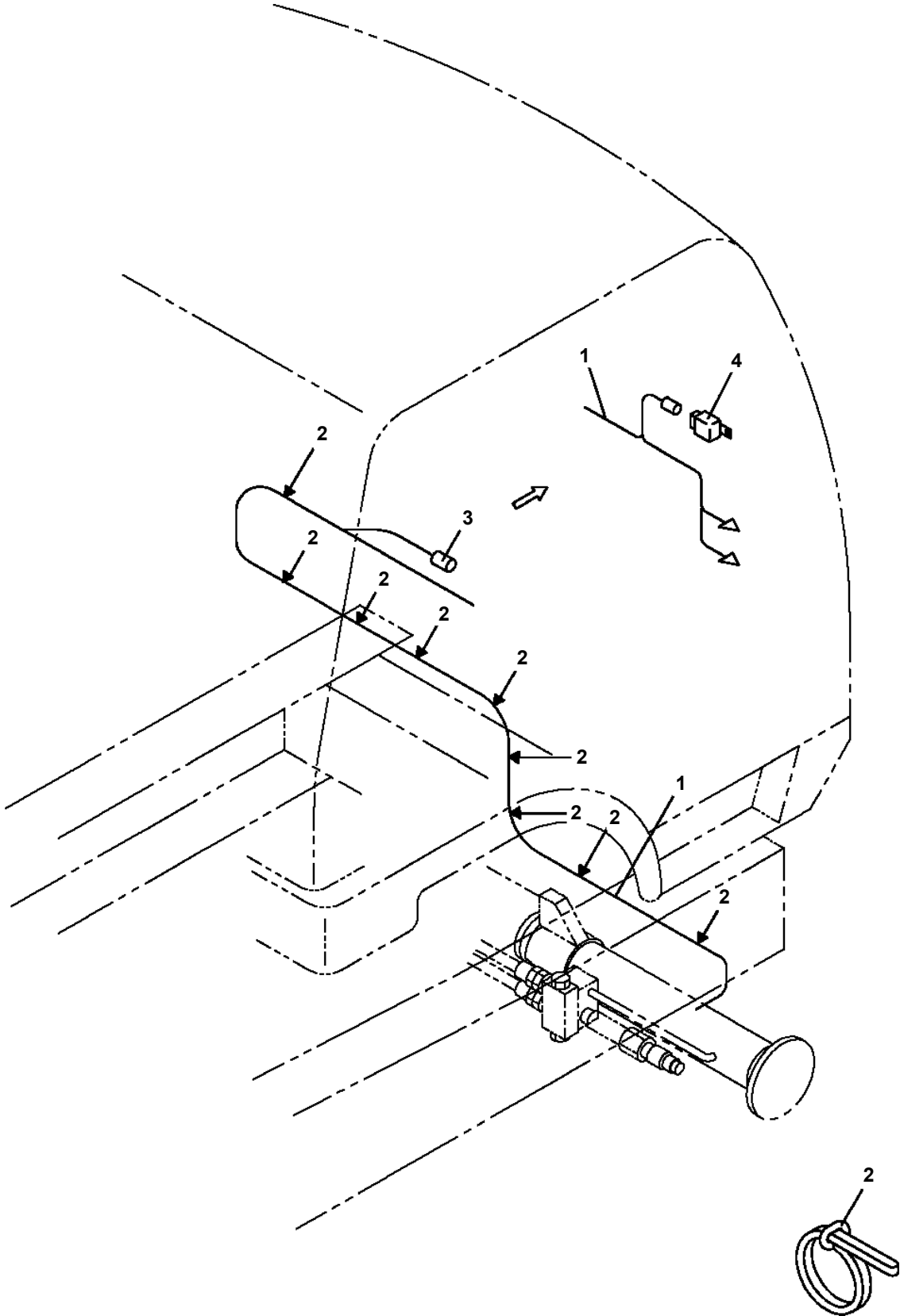
200



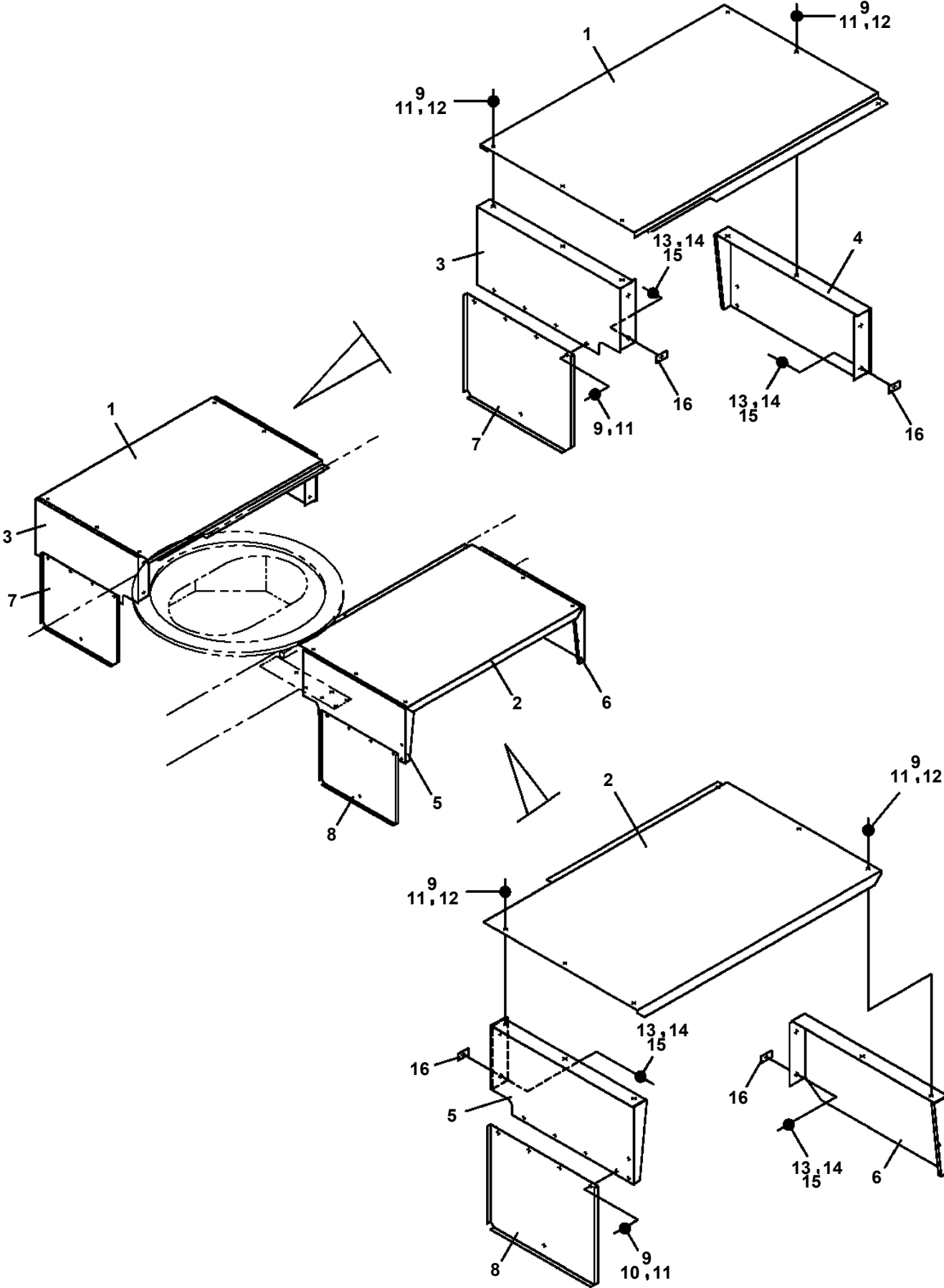
200



**TS-75M-1-11200 LOWER,NISSAN KC-LK211BN
PN1011520-01 ELEC.ASSY (FRONT JACK)**



TS-75M-1-11200 LOWER,NISSAN KC-LK211BN
PX1030412-00 FENDER



TS-75M-1-11200 LOWER,NISSAN KC-LK211BN

Pos No.	Parts No	Parts Name	Qty	Unit	Technical Data	Serial No (Start)	Serial No (End)	Remarks	Pages
1	32772541000	GUARD,SIDE	1						
2	32772542000	GUARD,SIDE	1						
3	32772543000	GUARD,SIDE	1						
4	32772544000	GUARD,SIDE	1						
5	37000539630	PLATE	2						
6	90101210025	BOLT	10		M10X25				
7	90302041001	WASHER,SPRING	18		10				
8	90201201000	NUT	10		M10				
9	90303071001	WASHER,PLAIN	6		10				
10	90101210035	BOLT	4		M10X35				
11	37000537400	PLATE	2						
12	90101210016	BOLT	4		M10X16				
13	32772545000	SUPPORT	2						

CLICK HERE TO **DOWNLOAD** THE COMPLETE MANUAL

- Thank you very much for reading the preview of the manual.
- You can download the complete manual from: www.heydownloads.com by clicking the link below



- Please note: If there is no response to CLICKING the link, please download this PDF first and then click on it.

CLICK HERE TO **DOWNLOAD** THE COMPLETE MANUAL