

TS-55M-1-20300 LOWER,MITSUBISHI KC-FE537B6K
PX1000182-02 MOUNTING PARTS
ASSEMBLY

CLICK HERE TO **DOWNLOAD** THE COMPLETE MANUAL

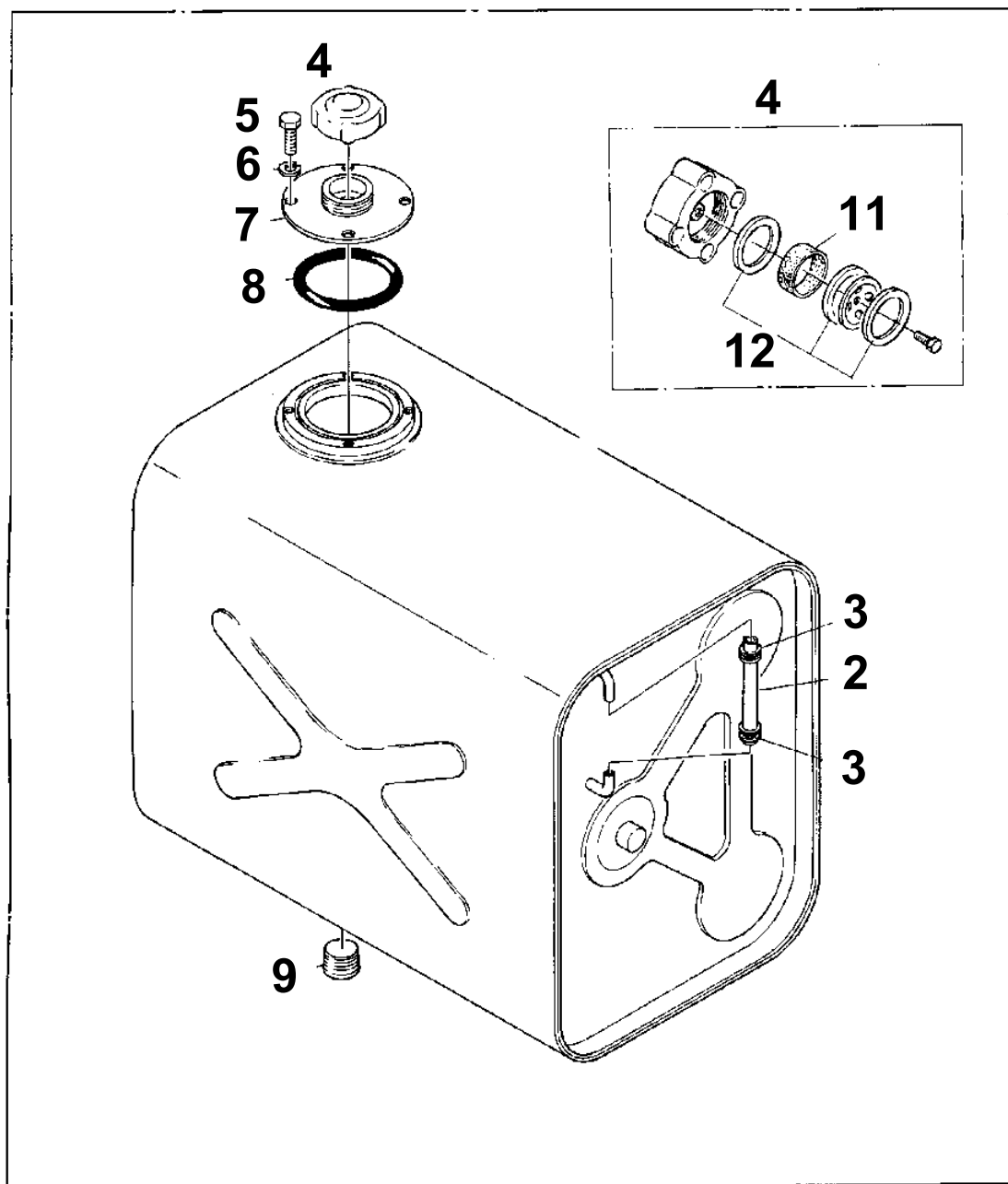
- Thank you very much for reading the preview of the manual.
- You can download the complete manual from: www.heydownloads.com by clicking the link below



- Please note: If there is no response to CLICKING the link, please download this PDF first and then click on it.

CLICK HERE TO **DOWNLOAD** THE COMPLETE MANUAL

TS-55M-1-20300 LOWER, MITSUBISHI KC-FE537B6K
PB1130054-01 TANK, OIL

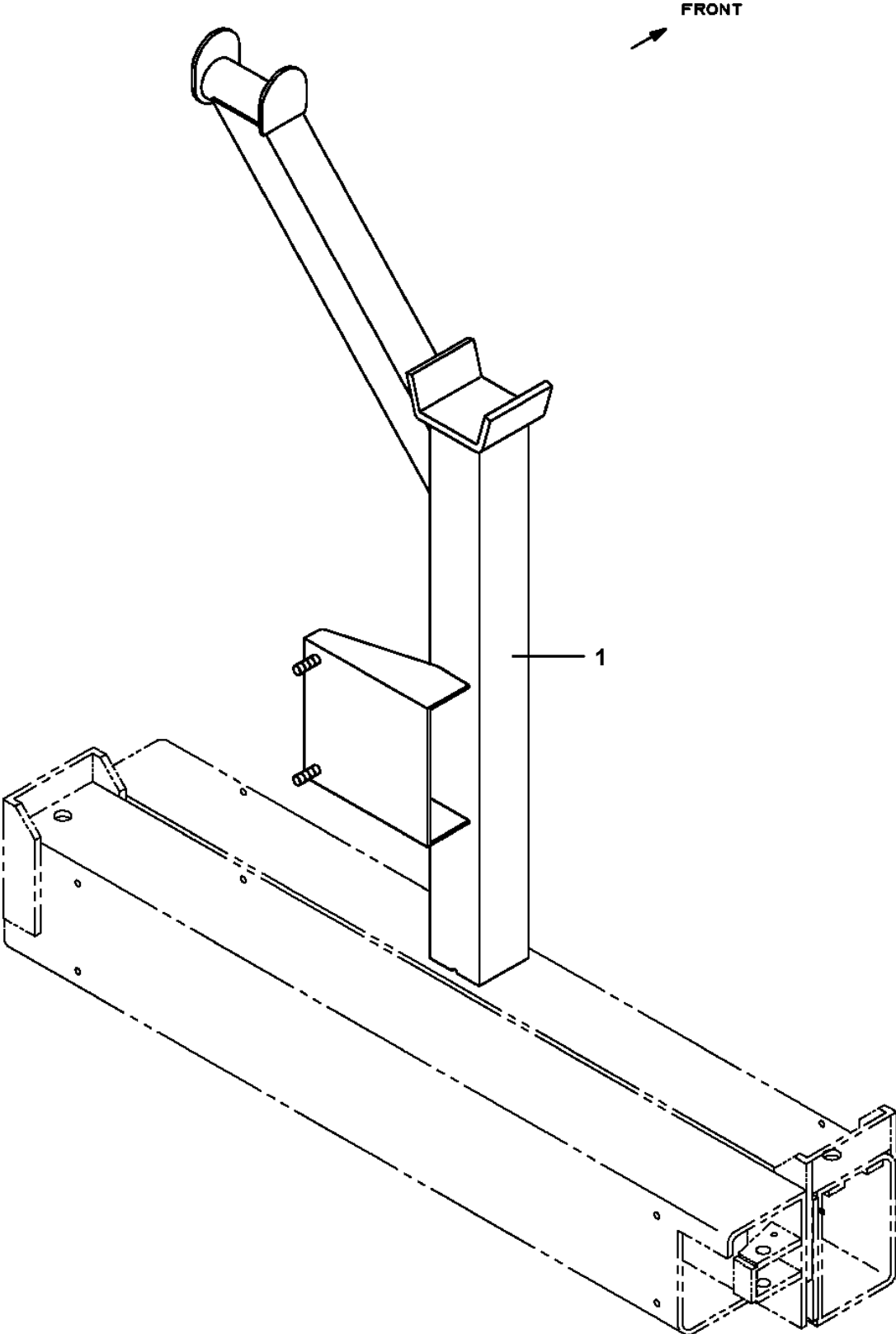


20

TS-55M-1-20300 LOWER,MITSUBISHI KC-FE537B6K

Pos No.	Parts No	Parts Name	Qty	Unit	Technical Data	Serial No (Start)	Serial No (End)	Remarks	Pages
1	32651172000	RELAY ASSY	1						
2	90101208020	BOLT	4		M8X20				
3	90302040801	WASHER,SPRING	4		8				
4	82100001173	CLAMP ASSY	2		L=65				
5	32651690100	HARNESS	1						
6	82100000191	TERMINAL	2						
7	82100000183	INSULATOR	2						
8	82100000192	TERMINAL	2						
9	82100000182	INSULATOR	2						
10	91810130240	FASTENER	20						
11	90201200800	NUT	2		M8				
12	90101206016	BOLT	2		M6X16				
13	32651690200	SUPPORT	1						
21	32651172100	BOX	1						
22	32650751010	COVER	1						
23	32650751020	HARNESS	1						
24	32650751030	RELAY ASSY	1						
25	82100001788	HOLDER,FUSE	1						
26	82100000793	FUSE	2		30A,6.5X30				
27	80172305010	SCREW,MACHINE	6		M5X10				
28	90302040501	WASHER,SPRING	6		5				
29	90303070501	WASHER,PLAIN	6		5				
30	80172304016	SCREW,MACHINE	2		M4X16				
31	90302040401	WASHER,SPRING	2		4				
32	80182306014	SCREW,MACHINE	2		M6X14				
33	90302040601	WASHER,SPRING	4		6				
34	90303070601	WASHER,PLAIN	4		6				
35	90201200600	NUT	2		M6				
36	80182306012	SCREW,MACHINE	2		M6X12				
37	32650751040	SUPPORT	1						
41	82100002472	RELAY	1						
43	82100000266	DIODE	1						

**TS-55M-1-20300 LOWER, MITSUBISHI KC-FE537B6K
PX1120129-00 BOOM REST INSTALLATION**



TS-55M-1-20300 LOWER,MITSUBISHI KC-FE537B6K

Pos No.	Parts No	Parts Name	Qty	Unit	Technical Data	Serial No (Start)	Serial No (End)	Remarks	Pages
1	32830091000	RING	1						

CLICK HERE TO **DOWNLOAD** THE COMPLETE MANUAL

- Thank you very much for reading the preview of the manual.
- You can download the complete manual from: www.heydownloads.com by clicking the link below



- Please note: If there is no response to CLICKING the link, please download this PDF first and then click on it.

CLICK HERE TO **DOWNLOAD** THE COMPLETE MANUAL