

TL-300E-3-10806 3 BOOM + JIB, KG520SN

PB1000273-01 HYDRAULIC PRESSURE GENERATING SYSTEM

PC1000211-01 OUTRIGGER SYSTEM

PD1000257-01 SWING SYSTEM

PE1000256-01 ELEVATING SYSTEM

PF1000239-01 WINCH SYSTEM

PG1000246-01 TELESCOPING SYSTEM

PH1000233-01 SAFETY DEVICES

PK1000265-01 FRAME

PL1000263-01 CONTROL DEVICES

PN1000216-01 ELECTRIC EQUIPMENT

PO1000144-01 INDICATION PLATES

PW1000122-00 ACCESSORIES & TOOLS

PX1000272-01 MOUNTING PARTS

PY1000237-01 OPTIONS

ASSEMBLY

CLICK HERE TO **DOWNLOAD** THE COMPLETE MANUAL

- Thank you very much for reading the preview of the manual.
- You can download the complete manual from: www.heydownloads.com by clicking the link below



- Please note: If there is no response to CLICKING the link, please download this PDF first and then click on it.

CLICK HERE TO **DOWNLOAD** THE COMPLETE MANUAL

TL-300E-3-10806 3 BOOM + JIB, KG520SN

Pos No.	Parts No	Parts Name	Qty	Unit	Technical Data	Serial No (Start)	Serial No (End)
1	36093500000	HOOK (SHEAVE 5 PC'S)	1				
2	(*****)	HOOK (AUXILIARY)	1				
3	37001800850	ROPE,WIRE	1				
4	(*****)	SOCKET,ROPE (SEIZING)	1				
5	(*****)	OPE.ASSY,DRUM LOCK	1				
7	(*****)	OPE.ASSY,CLUTCH	1				
8	(*****)	PIPING,WINCH	1				
9	(*****)	PIPING,WINCH	1				
10	(*****)	MOUNT,WINCH (REAR)	1				
11	(*****)	MOUNT,WINCH (REAR,WINCH COVER)	1				
12	(*****)	MOUNT,WINCH	1				
101	36071770000	WINCH	1				
102	49007040001	WINCH	1				
103	33310660010	BAND,WINCH BRAKE	1				
104	36661680000	MOTOR,HYDRAULIC (SANWA)	1				
105	50754010000	MOTOR,HYDRAULIC	1				
106	36600260000	VALVE,RELIEF	1				
107	36643170000	VALVE,HYDRAULIC	1				
108	36622080000	VALVE,CHECK	1				
109	36600690000	VALVE,PRESSURE REGULATOR	1				
110	36672480000	ACCUMULATOR	1				

TL-300E-3-10806 3 BOOM + JIB, KG520SN

Pos No.	Parts No	Parts Name	Qty	Unit	Technical Data	Serial No (Start)	Serial No (End)	Remarks
1	(*****)	SWITCH,DETECTOR (F/J)	1					
2	(*****)	ELEC.ASSY (REAR WINCH)	1					
3	(*****)	ELECTRICAL PARTS,CAB	1					
4	(*****)	SWITCH PANEL (OPERATION)	1					
5	(*****)	LAMP (WORKING)	1					

TL-300E-3-10806 3 BOOM + JIB, KG520SN

PH1070007-01 SWITCH,OVER WIND DETECTOR (JIB&S/T)
PH1070025-01 SWITCH,OVER WIND DETECTOR (JIB & SINGLETOP)
PH1170032-00 DETECTOR,CONTROL VALVE ACTUATION
PH1180044-01 CONNECTION,MOMENT LIMITER SYSTEM
PH1200032-03 PIPING,VENT
PH1250009-02 MOMENT LIMITER (AML-M2)
PI1010034-03 MOTOR,HYDRAULIC (SANWA)
PI1010099-00 MOTOR,HYDRAULIC
PI1010111-00 MOTOR,HYDRAULIC (SANWA)
PI1010121-01 MOTOR,HYDRAULIC (SWING)
PI1010124-00 MOTOR,HYDRAULIC (COOLER,OIL)
PI1030007-01 CYLINDER,MASTER (MIYAKO)
PI1030008-01 CYLINDER,MASTER
PI1030012-00 CYLINDER,MASTER (NABCO)
PI1030040-00 CYLINDER,MASTER
PI1050002-00 RESERVOIR,OIL
PI1100049-02 VALVE ASSY,RELIEF (27.5MPA)
PI1100060-01 VALVE,RELIEF
PI1120085-02 VALVE,SOLENOID
PI1120086-02 VALVE,SOLENOID
PI1120353-00 VALVE,SOLENOID
PI1130012-00 VALVE,HYDRAULIC
PI1130029-00 VALVE,HYDRAULIC
PI1140007-01 VALVE,CHECK
PI1140042-00 VALVE,CHECK
PI1140047-00 VALVE,CHECK
PI1140229-00 VALVE,CHECK
PI1160007-00 VALVE,FLOW CONTROL
PI1170000-00 VALVE,PRESSURE DETECTOR
PI1190002-00 VALVE,PRESSURE REGULATOR
PI1250066-00 VALVE,COUNTERBALANCE (SANWA)
PI1260011-02 CARTRIDGE, COUNTERBALANCE
PI1280002-00 VALVE,PILOT CHECK
PI1300012-03 FILTER,OIL (TANK,OIL)
PI1300080-00 FILTER,OIL
PI1300120-02 FILTER,OIL
PI1420001-01 GAUGE,PRESSURE
PI1420002-00 GAUGE,PRESSURE
PK1100178-01 SWING FRAME
PK1120133-01 SWING TABLE
PK1140105-02 CAB,OPERATOR
PK1150021-00 SEAT,OPERATOR
PK1200350-00 COVER,SWING FRAME
PK1220191-00 WEIGHT, COUNTERBALANCE
PK1250023-00 PIPING,WEIGHT REMOVER
PK1270025-00 CYLINDER,WEIGHT REMOVER (FOR DISMOUNT.)
PK1330003-00 COVER INSTALLATION
PK1410038-00 MOUNT,CAB
PL1010136-02 OPE.ASSY,CONT.VALVE (PEDAL)
PL1010712-04 OPE.ASSY,CONT.VALVE (ISO)
PL1010713-02 OPE.ASSY,CONT,VALVE (TDN)
PL1010826-00 OPE.ASSY,CONT.VALVE (REAR WINCH)
PL1030221-04 OPE.ASSY,ACCELERATOR(UPPER)
PN1011189-01 ELEC.ASSY (REAR WINCH)
PN1050176-00 ELECTRICAL PARTS,CAB
PN1060108-00 SWITCH PANEL (OPERATION)
PN1080000-00 LAMP (WORKING)
PN1140084-00 SWITCH,DETECTOR (F/J)
PO1010159-03 PLATE ASSY,NAME (OIL)
PO1010873-00 PLATE ASSY,NAME (ISO ARRANGEMENT)
PO1013128-01 PLATE ASSY.NAME (UPPER 1)
PO1013129-00 PLATE ASSY.NAME (UPPER 2)
PO1013130-00 PLATE ASSY.NAME (LOWER)
PO1013131-00 PLATE ASSY.NAME (REAR WINCH)

TL-300E-3-10806 3 BOOM + JIB, KG520SN

Pos No.	Parts No	Parts Name	Qty	Unit	Technical Data	Serial No (Start)	Serial No (End)	Rema
1	33660000211	GAUGE,OIL	1					
3	91001221000	O-RING	1		1A G210		355791	
4	33660100100	COVER	2				355791	
5	33660000220	BREATHER ASSY (OB-30T)	1				355791	
6	90302041001	WASHER,SPRING	10		10		355791	
7	90101210016	BOLT	6		M10X16		355791	
8	90303071001	WASHER,PLAIN	4		10		355791	
9	90101210025	BOLT	4		M10X25		355791	
10	36670510000	FILTER,OIL	1				355885	
	36670510000	FILTER,OIL	1			355792	355885	
	36671310000	FILTER,OIL (TANK,OIL)	1			355886		
13	80205001000	PLUG	1		PT1			
21	33660005040	BOLT	2		M12X35X1.75		355888	
	33660005040	BOLT	2		M12X35X1.75	355792	355888	
	33660007530	BOLT	2			355889		
22	34660131140	PACKING	4				355878	
	34660131140	PACKING	4			355792	355878	
	34660131140	PACKING	2			355879	355888	
	34660131140	PACKING	4			355889		
23	34660131150	PACKING	2			355879	355888	
31	33660007510	ELEMENT (OB-30T & OBR-30)	1				355845	
	33660007511	ELEMENT	1			355846		
32	33660007520	PACKING SET	1					
41	33660107510	BODY (TANK)	1			355792		
43	33660107520	PACKING	1			355792	355799	
	34660180040	PACKING	1		T=2.0	355800		
44	33660107530	COVER	1			355792		
45	99172108020	BOLT,TAPPING	8		M8X20	355792	355799	
	99164008020	BOLT (M8X20)	8			355800		
46	99164010025	BOLT	4		M10X25	355792		
47	36672870000	BREATHER ASSY (OBR-30)	1			355792		
57	36672875040	KEY	2			355792		
100	33660100001	TANK,OIL	1					

TL-300E-3-10806 3 BOOM + JIB, KG520SN

Pos No.	Parts No	Parts Name	Qty	Unit	Technical Data	Serial No (Start)	Serial No (End)	Remarks
1	37000901341	JOINT	1					
2	91002801800	O-RING	1		1B P18			
3	81408000341	PIPE,STEEL	1	M	28X3.1T			
4	81408000341	PIPE,STEEL	1	M	28X3.1T			
5	81408000341	PIPE,STEEL	1	M	28X3.1T			
6	81408000341	PIPE,STEEL	1	M	28X3.1T			
7	33640983000	FITTING,FLANGE	1					
8	91001205000	O-RING	1		1A G50			
9	90131512025	BOLT,HEXAGON SOCKET	4		M12X25			
10	90302041001	WASHER,SPRING	4		10			
11	37002504610	HOSE	1		L=425			
12	91803600800	CLIP	8		D=60-80			
13	33643513500	JOINT	1					
14	52257008000	PLATE	1					
15	90101408016	BOLT	2		M8X16			
16	90302040801	WASHER,SPRING	2		8			
17	37002500740	HOSE	1		L=1200			
18	33642873100	FITTING,FLANGE	1					
19	91001203000	O-RING	1		1A G30			
20	90131510075	BOLT,HEXAGON SOCKET	4		M10X75			
21	37002501870	HOSE	1		L=1700			
22	91803600350	CLIP	4		D=25-35			
23	37000711060	CLAMP ASSY	5		28X1			
24	37000701020	CLAMP ASSY	1					
25	37000700880	CLAMP ASSY	1					
26	37000502380	PLATE	5					
27	37000701480	CLAMP ASSY	1					
28	80305010241	FITTING,TEE	2		KTA28-000N			
29	80302010310	FITTING	1		KCT28-060N			
30	80301010241	FITTING	2		KUA28-000N			
31	33640008010	CUSHION	1					
32	91810130270	FASTENER	1					
33	91001206500	O-RING	1		1A G65			
34	90302041201	WASHER,SPRING	4		12			
35	37000903330	JOINT	1					
36	89640201000	HOSE	1		660-NFK,1M			
37	80400160103	FITTING	2		20368-U3/8X1/4			
38	81408000341	PIPE,STEEL	1	M	28X3.1T			

TL-300E-3-10806 3 BOOM + JIB, KG520SN

Pos No.	Parts No	Parts Name	Qty	Unit	Technical Data	Serial No (Start)	Serial No (End)	Remarks
1	33630493000	BRUSH,ROTARY JOINT	1					
2	90131508020	BOLT,HEXAGON SOCKET	4		M8X20			
3	90302040801	WASHER,SPRING	4		8			
4	33630490400	SPACER	1					
5	37000400070	BEARING,PLAIN	1					
6	91531214000	PACKING	2					
7	91100214000	SEAL,RING	5					
8	33630490201	BODY	1					
9	33630490300	CORE	1					
10	37000400090	BEARING,PLAIN	1					
11	33630460400	STOPPER	2					
12	90101210025	BOLT	4		M10X25			
13	90302041001	WASHER,SPRING	4		10			
15	91002801800	O-RING	1		1B P18			
16	91002902500	O-RING	2		1B G25			
17	91002903000	O-RING	2		1B G30			
18	91002905000	O-RING	1		1B G50			
19	90131512035	BOLT,HEXAGON SOCKET	6		M12X35			
20	90302041201	WASHER,SPRING	6		12			
21	33630490600	FITTING,FLANGE	1					
22	59457138000	PLUG ASSY	1					
100	33630490001	JOINT,ROTARY	1					

TL-300E-3-10806 3 BOOM + JIB, KG520SN

Pos No.	Parts No	Parts Name	Qty	Unit	Technical Data	Serial No (Start)	Serial No (End)	F
54	36632465270	SPRING	1					
63	36632465280	PLUG	1					
65	36632465290	PLUG	1					
66	36632465300	SPRING	1					
67	36632465310	SPRING	1					
76	91002802400	O-RING	1		1B P24			
83	36632465330	SPRING	2					
98	91000511900	O-RING	4		AS568-119			
99	91000511400	O-RING	4		AS568-114			
101	36632465400	RING,BACKUP	8					
102	36632465410	O-RING	4					
103	36632465420	RING,BACKUP	2				355836	
	36632465420	RING,BACKUP	2					
	36632465420	RING,BACKUP	3			355837		
104	36600065080	CAP	2					
120	36632465480	CAP	4					
121	91001102100	O-RING	4		1A P21			
123	91000502500	O-RING	3					
125	91411002100	RING,BACKUP	4		P21			
131	36646805060	COVER ASSY	1					
141	91001203000	O-RING	1		1A G30			
171	36646805070	BODY ASSY	3					
181	36632465531	BODY ASSY	1				355836	
	36632465531	BODY ASSY	1					
182	36648015070	BODY ASSY	1			355837		
191	36632465540	BODY ASSY	2					
204	36636695180	PLUNGER	1					
208	36632685430	ORIFICE	3		M4X4 0.5			
221	80316030040	PLUG	1		PT1/4			
222	36636695250	BLOCK,VALVE	1					
231	36636695120	POPPET	1					
232	36636695150	BODY ASSY	1					
244	36634675070	RETAINER	4					
245	36634675080	BALL,STEEL	4		4			
251	36636695200	BODY ASSY	1				355836	
	36632465580	BODY ASSY	1			355837		
286	36636695050	PLUG	8		M6			
293	36636695070	PACKING	8					
301	36640015030	PLUG	2		1/4	355837		
302	36632465550	END,SPOOL	2			355837		
303	91002801100	O-RING	2		1B P11	355837		
311	36632465560	BODY ASSY	1			355837		
312	36632465570	PLATE ASSY	2			355837		
400	36632460000	VALVE,MANUAL CONTROL	1					

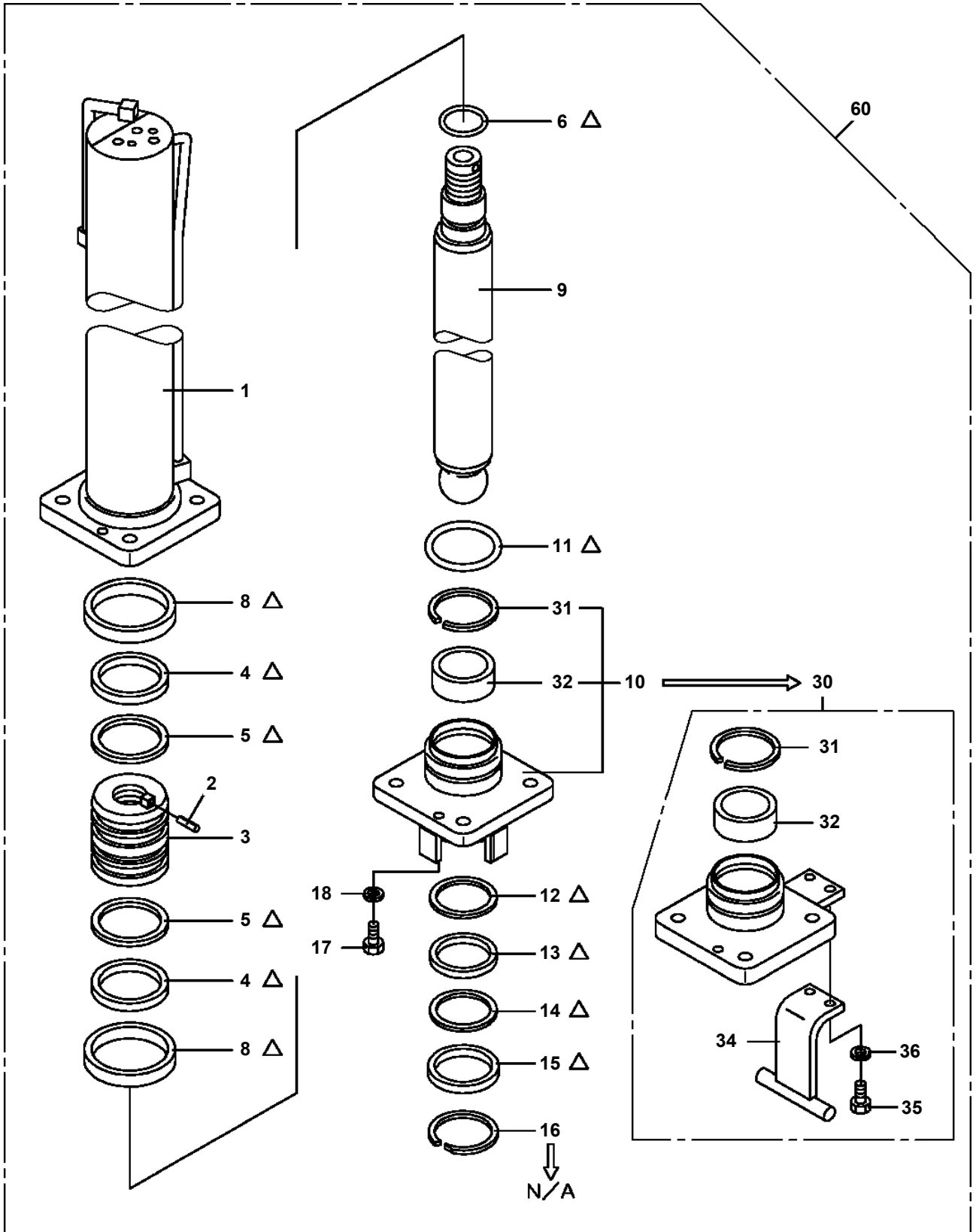
TL-300E-3-10806 3 BOOM + JIB, KG520SN

Pos No.	Parts No	Parts Name	Qty	Unit	Technical Data	Serial No (Start)	Serial No (End)	Remarks
1	36633845011	VALVE ASSY	1					
5	36633845021	VALVE,CONTROL	1					
11	36633235010	BODY ASSY	1					
12	36610345020	VALVE,RELIEF	1					
13	36633845031	VALVE,REDUCING	1					
14	36633845041	VALVE,BACK PRESSURE	1					
23	91002907500	O-RING	2		1B G75			
24	13115103030	SEAL,OIL	2					
27	09115101080	SPRING	1					
29	19215101010	O-RING	1					
30	36633845051	VALVE,PILOT	1					
43	91001100900	O-RING	1		1A P9			
44	80316030060	PLUG	1		PT3/8			
45	80316030040	PLUG	1		PT1/4			
53	36630365030	SPRING	1					
54	91002801800	O-RING	1		1B P18			
55	91002802600	O-RING	2		1B P26			
56	91002801100	O-RING	1		1B P11			
60	16025153020	SPRING	1					
64	91001001600	O-RING	2		1A S16			
66	91002802100	O-RING	1		1B P21			
73	36633235060	SPRING	1					
75	36641085130	O-RING	2		1BS16			
78	91001100800	O-RING	2		1A P8			
79	91002801400	O-RING	1		1B P14			
80	36633845061	O-RING	1		1B S16			
81	36633845071	FILTER	1					
84	91002801500	O-RING	1		1B P15			
94	91002802000	O-RING	1		1B P20			
95	36633845081	SPRING	1					
103	91002802201	O-RING	2		1B P22A			
104	91001100600	O-RING	2		1A P6			
107	13115103080	SPRING	1					
114	91002802240	O-RING	1		1B P22.4			
120	36633845091	SOLENOID ASSY	2					
200	36633840001	VALVE,SOLENOID CONTROL	1					

TL-300E-3-10806 3 BOOM + JIB, KG520SN

Pos No.	Parts No	Parts Name	Qty	Unit	Technical Data	Serial No (Start)	Serial No (End)	Remarks	Pages
2	33700590600	LEVER	1						
3	33702070100	LEVER	1						
5	31320020010	KNOB (BLACK)	2						
6	37000105610	PIN	4		L=18				
7	80136320010	PIN,SPLIT	4		2X10				
8	12644502000	ROD	1						
9	90203200800	NUT	1		M8				

**TL-300E-3-10806 3 BOOM + JIB, KG520SN
PC1290003-05 FRONT JACK, HYDRAULIC**



△:PACKING SET KEY NO. 52 (KEY NO.4,5,6,8,11,12,13,14,15)



△:PACKING SET KEY NO. 51 (KEY NO.4,5,6,8,11,12,13,14,15)

TL-300E-3-10806 3 BOOM + JIB, KG520SN

Pos No.	Parts No	Parts Name	Qty	Unit	Technical Data	Serial No (Start)	Serial No (End)
1	80441030906	FITTING,ELBOW	1		L,G3/8-12.7		
2	89640102000	HOSE	1		880-NFK,2M		
3	82100001173	CLAMP ASSY	3		L=65		
4	80430621200	JOINT	2				
5	80303030240	FITTING,ELBOW	1				
6	90101510030	BOLT	4		M10X30		
7	90302041001	WASHER,SPRING	4		10		
8	37000907970	JOINT	1				
9	80302010100	FITTING	2		KCT10-020N		
10	80303030120	FITTING,ELBOW	1		KLN10-030N		
11	91002801800	O-RING	2		1B P18		
12	80400160133	JOINT	2				
13	91002802400	O-RING	5		1B P24		
14	89640202000	HOSE	1				
15	80400160103	FITTING	2		20368-U3/8X1/4		
16	33343053200	SUPPORT	1				
17	90101214030	BOLT	4		M14X30		
18	90302041401	WASHER,SPRING	4		14		
19	36632420001	VALVE,MANUAL CONTROL (SWING)	1				
20	37002446160	HOSE	1		L=950		
21	37002455280	HOSE	2		L=1010		
23	81408000130	PIPE,STEEL	1	M	10X1.8T		
24	81408000130	PIPE,STEEL	1	M	10X1.8T		
25	81408000130	PIPE,STEEL	2	M	10X1.8T		
26	81408000130	PIPE,STEEL	2	M	10X1.8T		
27	81408000130	PIPE,STEEL	2	M	10X1.8T		
28	81408000130	PIPE,STEEL	2	M	10X1.8T		
29	37000703690	CLAMP ASSY	1				
30	37000703890	CLAMP ASSY	1				
31	37000300720	SLEEVE	7		12-10		
32	80301010080	FITTING	4		KUA10-000E		
33	37000706100	CLAMP ASSY	1				
34	80301010160	FITTING	5		KUA18-000N		
35	80400160111	FITTING,ELBOW	1				
36	37000704580	CLAMP ASSY	1				
37	37000925630	JOINT	2		S,G3/4-G3/4		
38	80302090241	FITTING	2		KCO18-040N		
39	37000521360	PLATE	2				
40	37000711180	CLAMP ASSY	3		18X3		
41	37000538850	PLATE	2				
42	81408000241	PIPE,STEEL	2	M	18X1.9T		
43	81408000241	PIPE,STEEL	2	M	18X1.9T		
44	81408000241	PIPE,STEEL	1	M	18X1.9T		
45	81408000241	PIPE,STEEL	1	M	18X1.9T		
46	81408000241	PIPE,STEEL	1	M	18X1.9T		
47	37000514590	PLATE	1				
48	37000711090	CLAMP ASSY	1		18X2		
49	37000906460	JOINT	1				
50	37000513280	PLATE	1				
51	81408000241	PIPE,STEEL	1	M	18X1.9T		
52	81408000241	PIPE,STEEL	1	M	18X1.9T		
61	91002801400	O-RING	1		1B P14		
71	91002802400	O-RING	2		1B P24		
81	91000521400	O-RING	1		AS568-214-1B		

TL-300E-3-10806 3 BOOM + JIB, KG520SN

Pos No.	Parts No	Parts Name	Qty	Unit	Technical Data	Serial No (Start)	Serial No (End)	Remarks
1	90131712050	BOLT,HEXAGON SOCKET	12		M12X50			
2	36070845230	RING,THRUST	1					
7	80601110650	RING,RITAINING	1		S65			
8	36070845040	BRACKET	1					
9	36070845050	PLUG	1		R1/2XRC1/8			
10	36070845080	GEAR,SUN	1					
11	36070845070	GEAR,SUN	1					
12	36070845250	RING,THRUST	6					
13	80601110250	RING,RITAINING	3		S25			
14	36070845260	BEARING,NEEDLE	6					
15	90131712040	BOLT,HEXAGON SOCKET	8		M12X40			
16	36070845100	GEAR,PLANETARY	3					
18	36070845090	SPACER	1					
19	80500006922	BEARING,BALL	1					
20	80316090040	PLUG SOCKET	1		R1/4			
21	36070845130	GEAR,INTERNAL	1					
23	36070845161	FLANGE	1					
24	80720113050	PIN,SPRING	3		13X50			
25	80720108050	PIN,SPRING	3		8X50			
28	36070845170	SLEEVE	1					
29	91206135001	SEAL,OIL	1					
30	80500006024	BEARING,BALL	1					
31	80500006217	BEARING,BALL	2					
32	36071775010	DRUM,SHAFT	1					
33	36071775020	DRUM	1					
34	90102516050	BOLT	8		M16X50			
35	90302041601	WASHER,SPRING	8		16			
36	36071775030	BOSS (DRUM)	1					
37	36070035140	COLLAR (D)	1					
38	80561100140	NUT	1		AN14			
39	80562100140	WASHER,TOOTH	1		AW14			
40	80516006211	BEARING,BALL	1					
41	36070845220	SPACER	1					
42	80601110550	RING,RITAINING	1		S55			
43	80316090020	PLUG	1		KKT PT1/8			
54	80720113050	PIN,SPRING	2		13X50			
55	80720108050	PIN,SPRING	2		8X50			
61	36070845310	CARRIER ASSY (B)	1					
62	36070845320	CARRIER ASSY (A)	1					
63	36071775330	REDUCER ASSY	1					
70	36071770000	WINCH	1					

TL-300E-3-10806 3 BOOM + JIB, KG520SN

Pos No.	Parts No	Parts Name	Qty	Unit	Technical Data	Serial No (Start)	Serial No (End)	Remarks	Pages
1	37001800850	ROPE,WIRE	1						

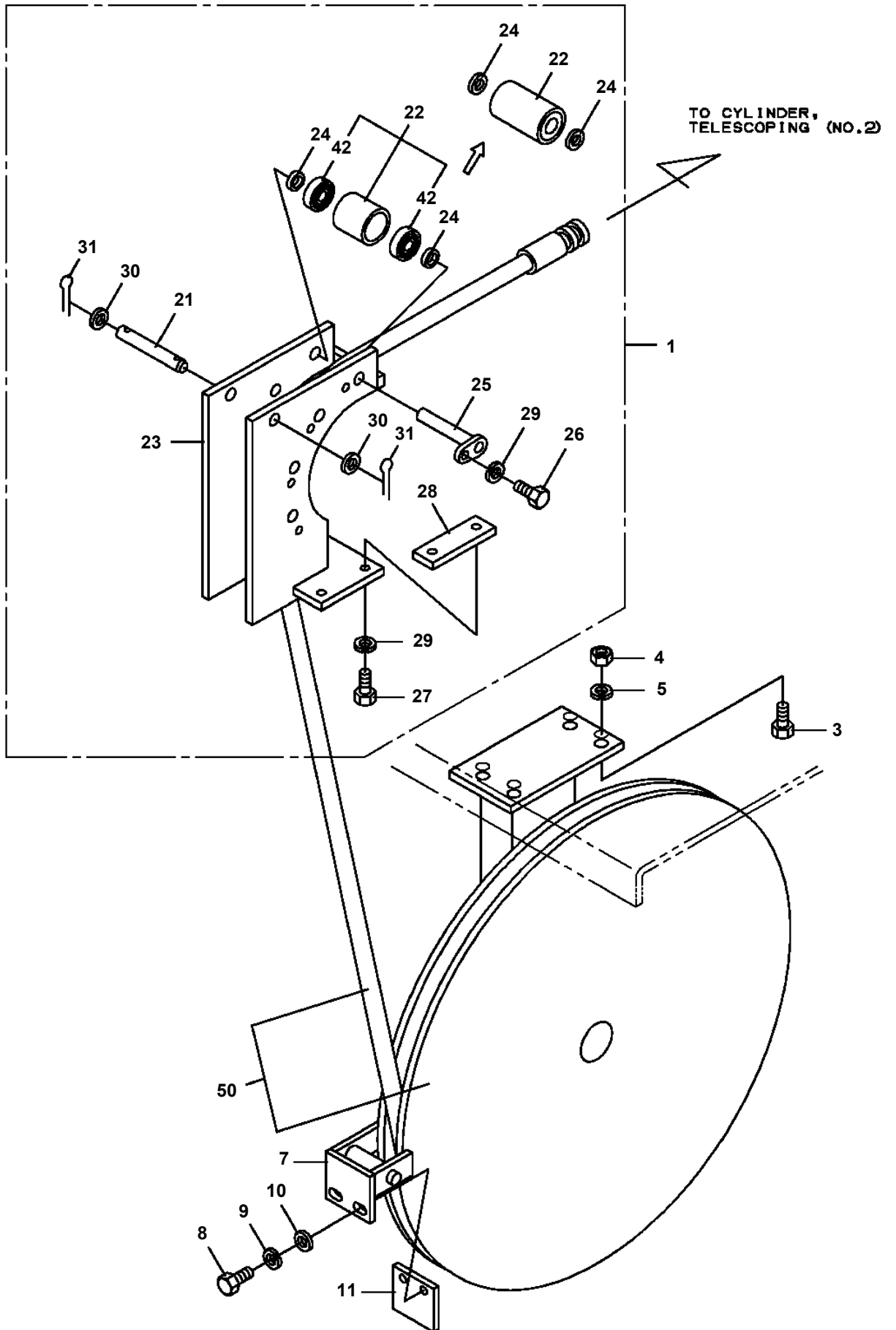
TL-300E-3-10806 3 BOOM + JIB, KG520SN

Pos No.	Parts No	Parts Name	Qty	Unit	Technical Data	Serial No (Start)	Serial No (End)	Re
1	81408000341	PIPE,STEEL	1	M	28X3.1T			
2	80302010310	FITTING	1		KCT28-060N			
3	81408000290	PIPE,STEEL	1	M	22X2.5T			
4	37000554270	SUPPORT	1					
5	36600260000	VALVE,RELIEF	1					
6	90101208060	BOLT	2		M8X60			
7	90302040801	WASHER,SPRING	5		8			
9	37000554380	SUPPORT	1					
10	80302010270	FITTING	1		KCT22-040N			
11	80315040080	JOINT	1					
12	91002801800	O-RING	2		1B P18			
13	80302090271	FITTING	1		KCO22-040N			
14	37000921510	FITTING,FLANGE	1					
15	91002804900	O-RING	2		1B P49			
16	90101512025	BOLT	8		M12X25			
17	90302041201	WASHER,SPRING	8		12			
18	37000921530	FITTING,FLANGE	1					
19	37002415500	HOSE	1		L=850			
20	37002426920	HOSE	1		L=1060			
21	42440201080	SUPPORT	1					
22	82100002017	CLAMP	1		WR30			
23	90101208020	BOLT	3		M8X20			
24	37000700880	CLAMP ASSY	1					
25	90201200800	NUT	1		M8			
26	37000915210	JOINT	2					
27	36600690000	VALVE,PRESSURE REGULATOR	1					
28	80315060140	JOINT,BUSHING	2					
29	80305050200	FITTING,TEE	1		KTK22-060N			
30	81408000290	PIPE,STEEL	1	M	22X2.5T			

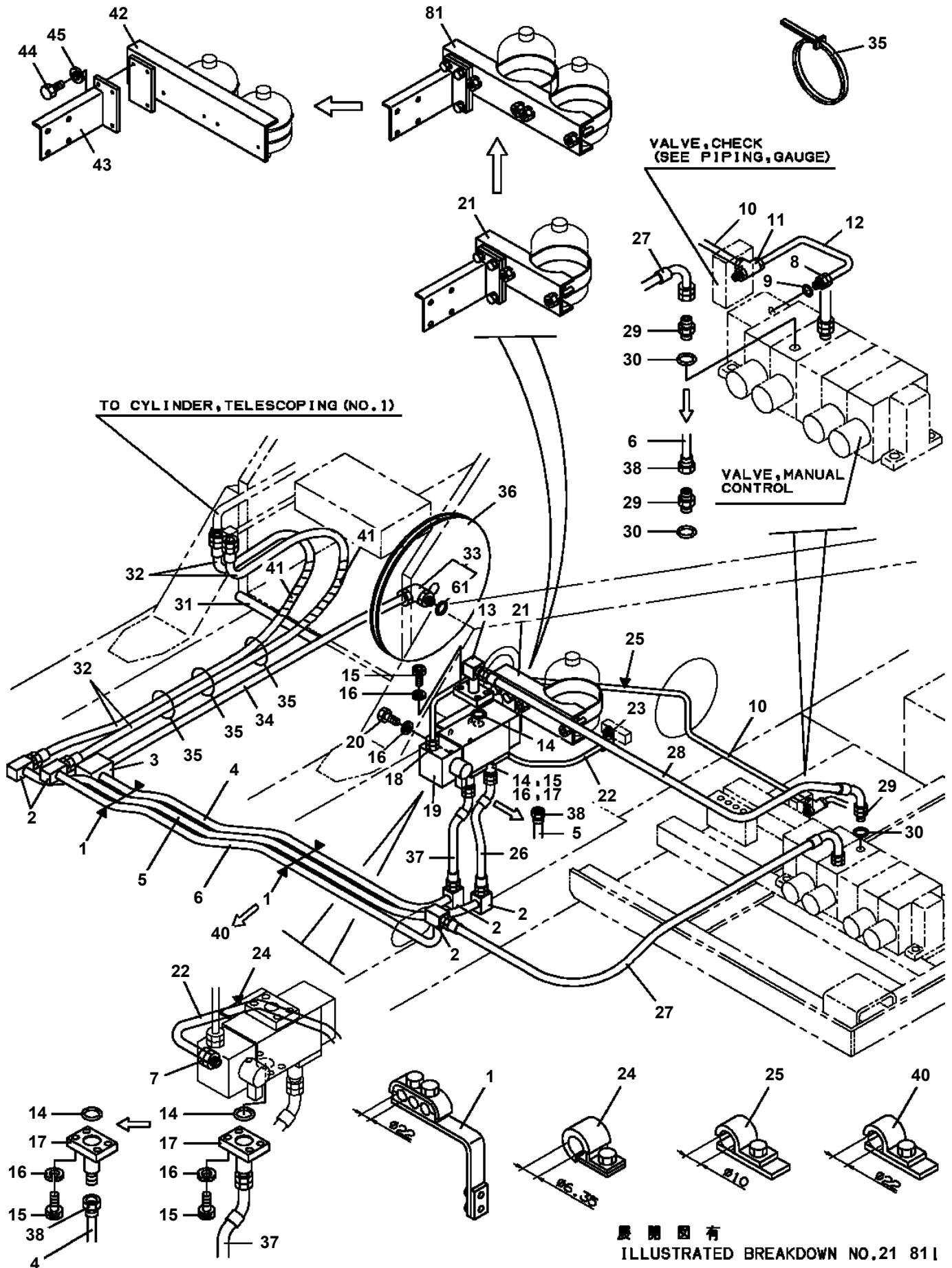
TL-300E-3-10806 3 BOOM + JIB, KG520SN

Pos No.	Parts No	Parts Name	Qty	Unit	Technical Data	Serial No (Start)	Serial No (End)	Rema
7	90101512045	BOLT	3		M12X45			
8	90302041201	WASHER,SPRING	3		12			
9	33311010010	PLATE	1					
10	33310611020	PLATE	1					
12	90302041601	WASHER,SPRING	14		16			
15	33310660500	SUPPORT ASSY	1					
16	33310660010	BAND,WINCH BRAKE	1					
17	37000530920	PLATE	2					
18	90203200800	NUT	4		M8			
19	32330010160	ADJUSTER	2					
20	19114411000	SPRING	2					
21	33310611040	SUPPORT ASSY	2					
22	33310611050	SPACER	2					
25	33310660070	PLATE	2					
26	33310330100	SUPPORT	1					
27	90102210055	BOLT	1		M10X55			
28	90203201000	NUT	1		M10			
29	33310040080	SUPPORT	1					
30	90101210018	BOLT	3		M10X18			
31	90302041001	WASHER,SPRING	3		10			
32	37000528080	PLATE	2		T=3.2			
33	37000528090	PLATE	2					
34	33310660100	SUPPORT	1					
35	37000126270	PIN	1					
36	16113009002	WEDGE	1					
37	37000128710	PIN	1					
38	90101514035	BOLT	1		M14X35			
39	90302041401	WASHER,SPRING	1		14			
40	90101516045	BOLT	14		M16X45			
41	90132510050	BOLT,HEXAGON SOCKET	1		M10X50			
42	14123000400	BREATHER	1		PT1/8			
43	36661680000	MOTOR,HYDRAULIC (SANWA)	1					
45	36071770000	WINCH	1					
46	37001003660	SHEAVE ASSY	1					
52	34310580090	WIRE	1					
54	80316070040	PLUG	1		PF1/4			
55	91002801100	O-RING	1		1B P11			
56	91001215500	O-RING	1		1A G155			
61	33310660201	SUPPORT	1					
64	90101516060	BOLT	6		M16X60			
65	90302041601	WASHER,SPRING	6		16			
66	90201401600	NUT	6		M16			
67	37000130470	PIN	2		16			
71	34310000060	PLATE	2					
72	90101212020	BOLT	2		M12X20			
73	90302041201	WASHER,SPRING	2		12			
74	33310310010	SUPPORT	2					
75	90102210035	BOLT	2		M10X35			
76	90203201000	NUT	3		M10			
82	82456106000	NIPPLE,GREASE	1		1/4-28UNF			
83	80601110750	RING,RITAINING	2		S75			
84	16312015002	BEARING,PLAIN	1					
110	33310338030	SUPPORT ASSY	1					

**TL-300E-3-10806 3 BOOM + JIB, KG520SN
PG1070034-02 REEL, HOSE (MOUNT)**



**TL-300E-3-10806 3 BOOM + JIB, KG520SN
PG1200039-05 PIPING,TELESCOPING**



展開圖有
ILLUSTRATED BREAKDOWN NO.21 811

TL-300E-3-10806 3 BOOM + JIB, KG520SN

Pos No.	Parts No	Parts Name	Qty	Unit	Technical Data	Serial No (Start)	Serial No (E
1	32370002170	PLATE	1				
2	32370002110	GASKET	1				
3	32370002121	COVER	1				
4	80172303025	SCREW,MACHINE	2		M3X25		
5	90302040301	WASHER,SPRING	2		3		
6	82100001355	SWITCH,LIMIT	1				
7	32370002131	ROD	1				
8	14148373001	SPRING	1				
9	80601110180	RING,RITAINING	1		S18		
10	34371314400	SUPPORT	1				
11	90303070301	WASHER,PLAIN	2		3		
12	82100002283	CONNECTOR	1				
13	82100002355	TERMINAL (GOLD)	2				
14	32370005200	CORD	1				
15	32370005210	CORD	1				
16	82100000592	TERMINAL (M40.3 TO 1.25)	2				
17	89630201000	HOSE,VINYL	1		6X8,1M		
18	14148375000	GROMMET	1				
19	90101208045	BOLT	2		M8X45		
20	90302040801	WASHER,SPRING	2		8		
22	82100001220	INSULATOR	2				
23	82100002329	PLUG	1				
30	32370009512	ROD ASSY	1				
31	32370002150	SPACER	1		L=12 TO 11		
32	80720103014	PIN,SPRING	1		3X14		
50	33370885800	SWITCH,OVER WIND DETECTOR (BOOM)	1				

CLICK HERE TO **DOWNLOAD** THE COMPLETE MANUAL

- Thank you very much for reading the preview of the manual.
- You can download the complete manual from: www.heydownloads.com by clicking the link below



- Please note: If there is no response to CLICKING the link, please download this PDF first and then click on it.

CLICK HERE TO **DOWNLOAD** THE COMPLETE MANUAL

TL-300E-3-10806 3 BOOM + JIB, KG520SN

Pos No.	Parts No	Parts Name	Qty	Unit	Technical Data	Serial No (Start)	Serial No (End)	Remarks	Pa
1	91002801100	O-RING	5		1B P11				
2	80302090141	FITTING	1		KCO12-020N				
3	80305010080	FITTING,TEE	1		KTA10-000N				
4	80302010140	FITTING	1		C717KCT12-020N				
5	81408000160	PIPE,STEEL	1	M	12X1.4T				
6	36622540000	VALVE,CHECK	1						000
7	36642920000	VALVE,SOLENOID	1						000
8	81408000130	PIPE,STEEL	1	M	10X1.8T				
9	80302090101	FITTING	4		KCO10-020N				
10	81408000130	PIPE,STEEL	1	M	10X1.8T				
11	81408000130	PIPE,STEEL	1	M	10X1.8T				
12	90101205014	BOLT	2		M5X14				
13	90302040501	WASHER,SPRING	2		5				
14	80303030100	FITTING,ELBOW	1		KLN10-020N				
15	80302010100	FITTING	2		KCT10-020N				
16	81408000130	PIPE,STEEL	1	M	10X1.8T				
17	81408000130	PIPE,STEEL	1	M	10X1.8T				
18	81408000130	PIPE,STEEL	1	M	10X1.8T				

TL-300E-3-10806 3 BOOM + JIB, KG520SN

Pos No.	Parts No	Parts Name	Qty	Unit	Technical Data	Serial No (Start)	Serial No (End)	Rema
5	36662575030	RETAINER	1					
6	80602110520	RING,RITAINING	1		R52			
7	36662575010	PLATE	1					
8	36662785060	PIN	1		8X20			
9	80602110720	RING,RITAINING	1		R72			
10	36651685150	SEAL,OIL	1					
12	91001212000	O-RING	1		1A G120			
13	91001215000	O-RING	1		1A G150			
16	36080626070	SPRING	8					
17	36662785100	PIECE,DISTANCE	1					
21	36662785190	SHAFT	1					
22	36662785200	BEARING	1					
23	36662785210	BEARING	1					
24	80601110220	RING,RITAINING	1		S22			
25	80601110350	RING,RITAINING	2		S35			
34	36662785240	PIN	1		8X15			
36	90131512035	BOLT,HEXAGON SOCKET	4		M12X35			
37	91001216000	O-RING	1		1A G160			
41	36662575090	COVER ASSY	1					
91	36662575080	MOTOR ASSY	1					
100	36662570000	MOTOR,HYDRAULIC (SWING)	1					

TL-300E-3-10806 3 BOOM + JIB, KG520SN

Pos No.	Parts No	Parts Name	Qty	Unit	Technical Data	Serial No (Start)	Serial No (End)	Remarks	Page
1	16415134000	CYLINDER,MASTER	1						
2	16415134020	BOOT	1						
3	16415134030	WIRE,STOP	1						
4	16415134040	PLATE (STOP)	1						
5	16415134050	CUP (S)	1						
7	16415134070	PIN (GUIDE)	1						
8	16415134080	GASKET	1						
9	16415134090	CUP (P)	1						
10	16415134100	RETAINER (SPRING)	1						
12	16415134120	VALVE (ROD)	1						
13	16415134130	SPRING	1						
14	16415134140	SPRING	1						
15	16415134151	GASKET	1						
16	16415134161	GASKET	1						
17	16415134170	BOLT,UNION	1						
18	16415134181	CAP	1						
19	16415134190	GASKET	1						
20	16415134200	YOKE	1						
21	16415134210	NUT	2						
22	16415134220	ROD,PUSH	1						
23	16415134230	BREATHER	1						
24	16415134240	CAP (RUBBER)	1						
25	16415134250	NUT (PIPE)	1						
26	16415134260	UNION	1						
30	16415195660	INNER KIT	1						

TL-300E-3-10806 3 BOOM + JIB, KG520SN

Pos No.	Parts No	Parts Name	Qty	Unit	Technical Data	Serial No (Start)	Serial No (End)	Remarks
4	36640085015	RETAINER	2					
5	36640085025	SPRING	2					
7	91000501700	O-RING	2				355976	
	36642935060	O-RING	2			355977		
8	36642935040	RING	4					
12	36642935021	SOLENOID	1				355976	
	36642935022	SOLENOID	1			355977		
13	90131505050	BOLT,HEXAGON SOCKET	4		M5X50			
22	36642935030	PLUG	1				355976	
	36642935050	PLUG	1			355977		
26	36602555010	O-RING	1			355977		
27	36649855100	O-RING	1			355977		
50	36642930000	VALVE,SOLENOID	1					

TL-300E-3-10806 3 BOOM + JIB, KG520SN

Pos No.	Parts No	Parts Name	Qty	Unit	Technical Data	Serial No (Start)	Serial No (End)	Remarks	Pages
2	80316090040	PLUG SOCKET	4		R1/4				
4	36621305020	SPRING	4						
10	36622080000	VALVE,CHECK	1						

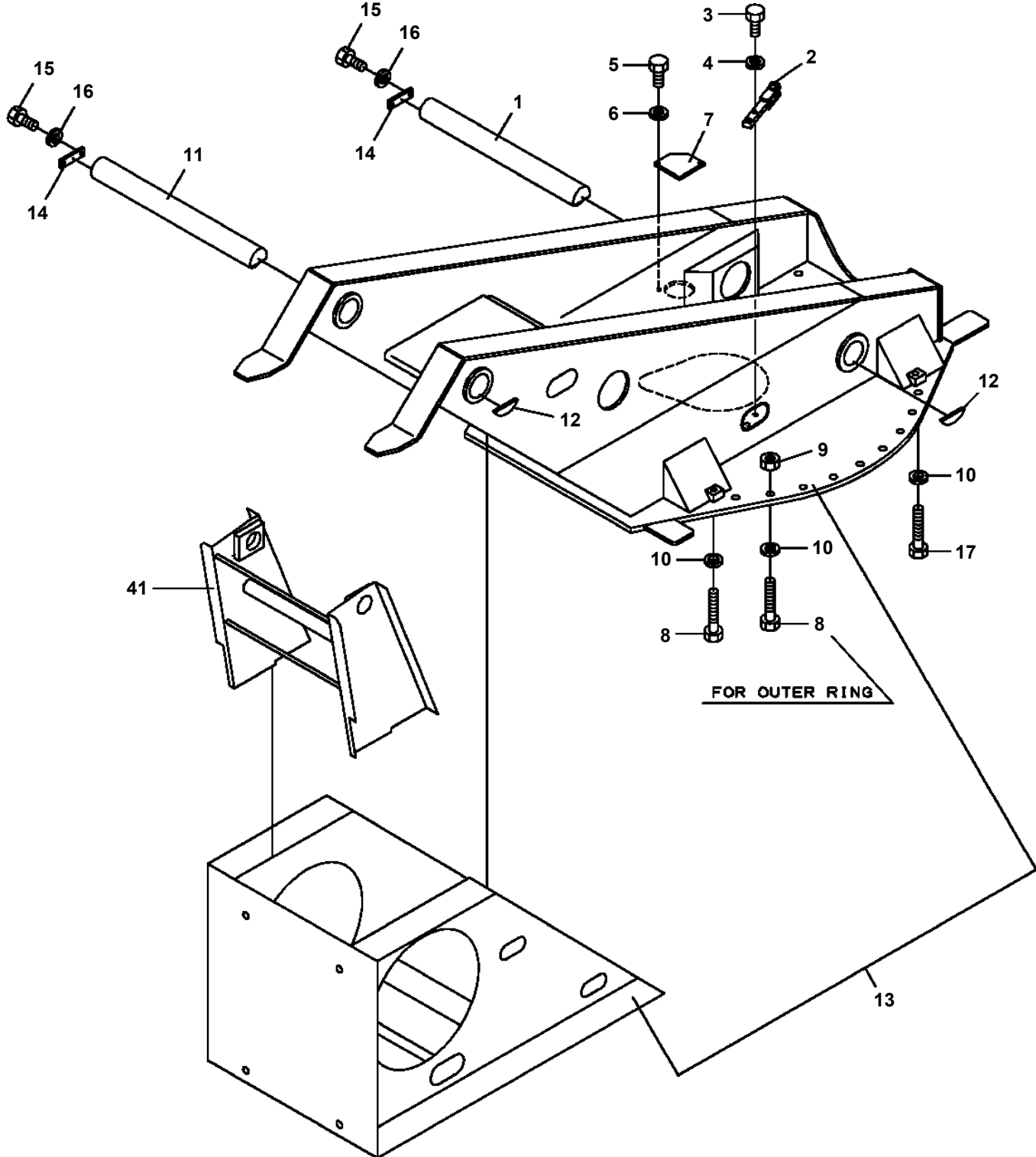
TL-300E-3-10806 3 BOOM + JIB, KG520SN

Pos No.	Parts No	Parts Name	Qty	Unit	Technical Data	Serial No (Start)	Serial No (End)	Rem
1	36030341010	VALVE	1					
2	91002801000	O-RING	1		1B P10			
3	91002800500	O-RING	1		1B P5			
4	36030420200	ROD	1					
5	37001200040	SPRING	1					
6	91002804400	O-RING	1		1B P44			
7	36030341030	COVER	1					
8	90302040801	WASHER,SPRING	4		8			
9	90101208020	BOLT	4		M8X20			
10	82100001389	SWITCH,LIMIT	1					
11	90302040601	WASHER,SPRING	2		6			
12	90101206012	BOLT	2		M6X12			
13	36030341050	COVER	1					
14	82100001035	GROMMET	1					
15	90303371001	WASHER	1		M10			
20	36030750000	VALVE,PRESSURE DETECTOR	1					

TL-300E-3-10806 3 BOOM + JIB, KG520SN

Pos No.	Parts No	Parts Name	Qty	Unit	Technical Data	Serial No (Start)	Serial No (End)	Remarks	P
4	36671310050	ELEMENT	2						
7	91001214000	O-RING	1		1A G140				
8	36671315021	SPACER	1						
12	91001703700	O-RING	1		WG37				
30	36671310000	FILTER,OIL (TANK,OIL)	1						

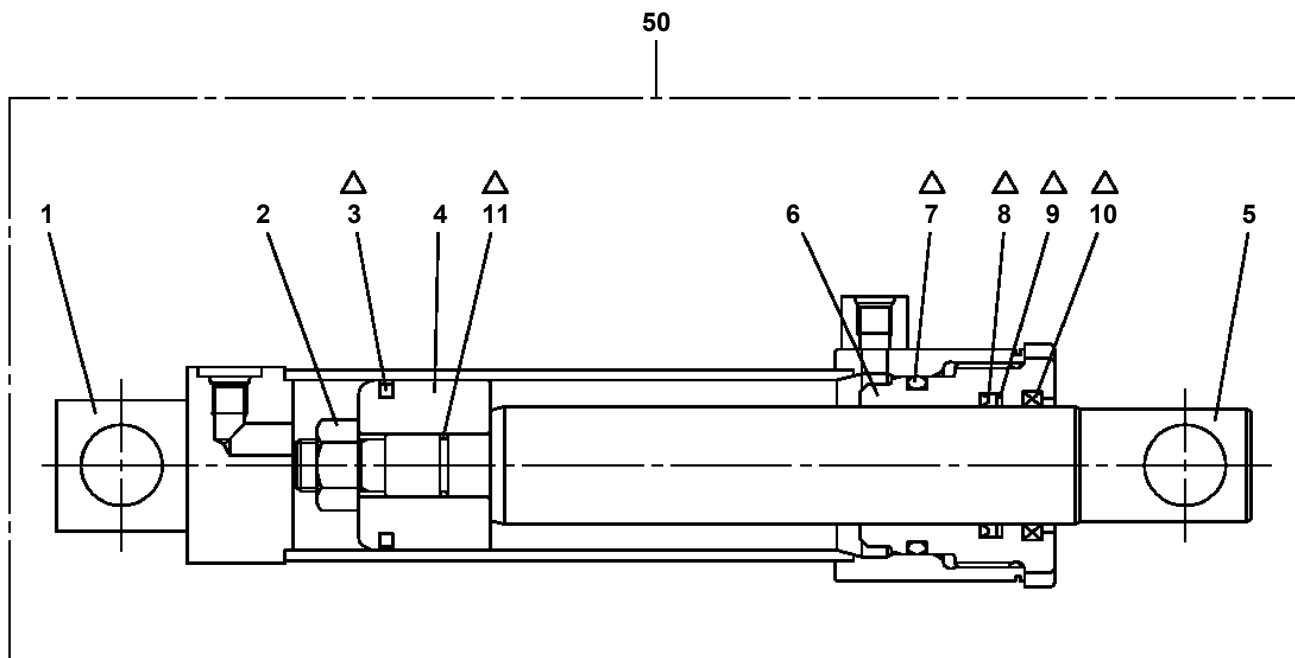
**TL-300E-3-10806 3 BOOM + JIB, KG520SN
PK1100178-01 SWING FRAME**



TL-300E-3-10806 3 BOOM + JIB, KG520SN

Pos No.	Parts No	Parts Name	Qty	Unit	Technical Data	Serial No (Start)	Serial No (End)	Remarks
1	33250717510	CUSHION ASSY	1					
2	33250717520	BACK ASSY	1					
3	34250887630	ADJUSTER (RECLINING)	1					
4	33250597560	BOLT (WITH WASHER)	4					
5	33250717540	HINGE	1					
6	33250717550	WASHER	1					
7	33250717560	WASHER,SPRING	1					
8	33250717570	ADJUSTER (RH)	1					
9	33250717580	ADJUSTER (LH)	1					
10	33250717590	SCREW	4					
11	33250717600	GROMMET	1					
12	33250717610	ORNAMENT	1					
13	33250717620	RISER ASSY (SEAT)	1					
14	34430077620	NUT,CAP	4		M8XP1.25			
21	33250717630	SEAT ASSY	1					
30	33250711000	SEAT,OPERATOR	1					

**TL-300E-3-10806 3 BOOM + JIB, KG520SN
PK1270025-00 CYLINDER,WEIGHT REMOVER (FOR DISMOUNT.)**



Δ:PACKING SET KEY NO.30 (KEY NO.3,7,8,9,10,11)

TL-300E-3-10806 3 BOOM + JIB, KG520SN

Pos No.	Parts No	Parts Name	Qty	Unit	Technical Data	Serial No (Start)	Serial No (End)
3	37000101050	PIN	8				
4	80613110080	RING,RITAINING	8		8		
5	90101208020	BOLT	6		M8X20		
6	90302040801	WASHER,SPRING	6		8		
7	33320961500	LINK	1				
8	33320962000	ROD	1				
9	33320962500	ROD ASSY	1				
11	33320963000	ROD ASSY	1				
12	33320963500	ROD ASSY	1				
13	33320921400	ROD ASSY	1				
14	33320876000	LINK ASSY	1				
15	33320877000	ROD ASSY	1				
16	37000101020	PIN	1				
17	90101210016	BOLT	1		M10X16		
18	90302041001	WASHER,SPRING	1		10		
19	90303071001	WASHER,PLAIN	6		10		
23	(*****)	PLATE ASSY,NAME (ISO ARRANGEMENT)	1				
24	(*****)	PLATE,NAME (STD OPERATION MARK)	1				
31	33320871100	LEVER ASSY	1				
32	33320871200	LEVER ASSY	1				
34	33320871400	LEVER ASSY	2				
35	37000101070	PIN	2				
36	90131510016	BOLT,HEXAGON SOCKET <M10X16.	6				
37	90302041001	WASHER,SPRING	6		10		
39	33320871600	SUPPORT	1				
40	53620233000	SPRING	3				
41	37000108440	PIN	1				
42	82100001035	GROMMET	6				
43	34350002100	CAP	1				
44	37001300390	SPRING	1				
51	80601110200	RING,RITAINING	1		S20		
52	33320876100	LINK	1				
53	37000130020	PIN	1				
63	80804020010	BEARING,PLAIN	4				
71	90201201400	NUT	4		M14		
72	37004201480	END	4				
73	33320962510	ROD	1				
111	33320001400	BOLT	1		M8		
112	90201200800	NUT	2		M8		
113	33320001410	END	1				
114	37000101040	PIN	1				
115	80613110080	RING,RITAINING	1		8		
121	82100000582	CONNECTOR	3				
123	33320871500	CABLE	3				
124	33320871110	LEVER	1				
125	32320110250	NUT (BLACK)	4				
126	33320001081	LEVER	4				
127	37001601520	NUT	4		M12		
128	33320001090	KNOB (RED)	1				
129	82100001033	SWITCH,PUSH	3				
130	90710006060	SCREW,SET	4		M6X6		
131	82100000578	TERMINAL	6				
132	33320001450	SLEEVE	4				
144	33320871210	LEVER	3				
148	33320001100	KNOB (BLACK)	1				
158	33320001120	KNOB (BLACK)	2				
166	80804022010	BEARING,PLAIN	8				
173	33320963010	ROD	1				
183	33320963510	ROD	1				
193	33320921410	ROD	1				

TL-300E-3-10806 3 BOOM + JIB, KG520SN

Pos No.	Parts No	Parts Name	Qty	Unit	Technical Data	Serial No (Start)	Serial No (End)	Remarks	Pages
1	33731316550	SWITCH ASSY	1						
2	33731316510	HARNESS	1						
4	37000704790	CLAMP ASSY	6		D=6				
5	34474865200	CONNECTOR	1						
6	33731316580	SUPPORT	1						
7	80175303016	SCREW,MACHINE	3						
8	90302040301	WASHER,SPRING	4		3				
9	82100002237	CAP	1						
10	90201200300	NUT	4		M3				
11	90190000008	BOLT,STUD	1		M6X20				
12	90201200600	NUT	1		M6				
13	90302040601	WASHER,SPRING	1		6				
14	90303290600	WASHER,PLAIN	1		6				

TL-300E-3-10806 3 BOOM + JIB, KG520SN

Pos No.	Parts No	Parts Name	Qty	Unit	Technical Data	Serial No (Start)	Serial No (E
1	37002217330	PLATE,CAUTION (TADANO HYDRAULIC)	1				
2	37002219500	PLATE,CAUTION (OIL/FOR EXP.)	1				

TL-300E-3-10806 3 BOOM + JIB, KG520SN

Pos No.	Parts No	Parts Name	Qty	Unit	Technical Data	Serial No (Start)	Serial No (End)	Remarks	P
1	33731163010	PLATE,CAUTION	1						
2	32470464010	PLATE (WINCH)	1						
3	50770106000	PLATE,NAME (CLUTCH)	1						

TL-300E-3-10806 3 BOOM + JIB, KG520SN

Pos No.	Parts No	Parts Name	Qty	Unit	Technical Data	Serial No (Start)	Serial No (End)	Remark
1	33460002100	BAG,TOOL	1					
3	91991310041	SPANNER,SINGLE END (41)	1					
4	91991310036	SPANNER,SINGLE END (36)	1					
5	91991310032	SPANNER,SINGLE END (32)	1					
6	91991310030	SPANNER,SINGLE END (30)	1					
7	91991540508	WRENCH SET,HEXAGON	1					
20	33460022000	TOOLS	1					

TL-300E-3-10806 3 BOOM + JIB, KG520SN

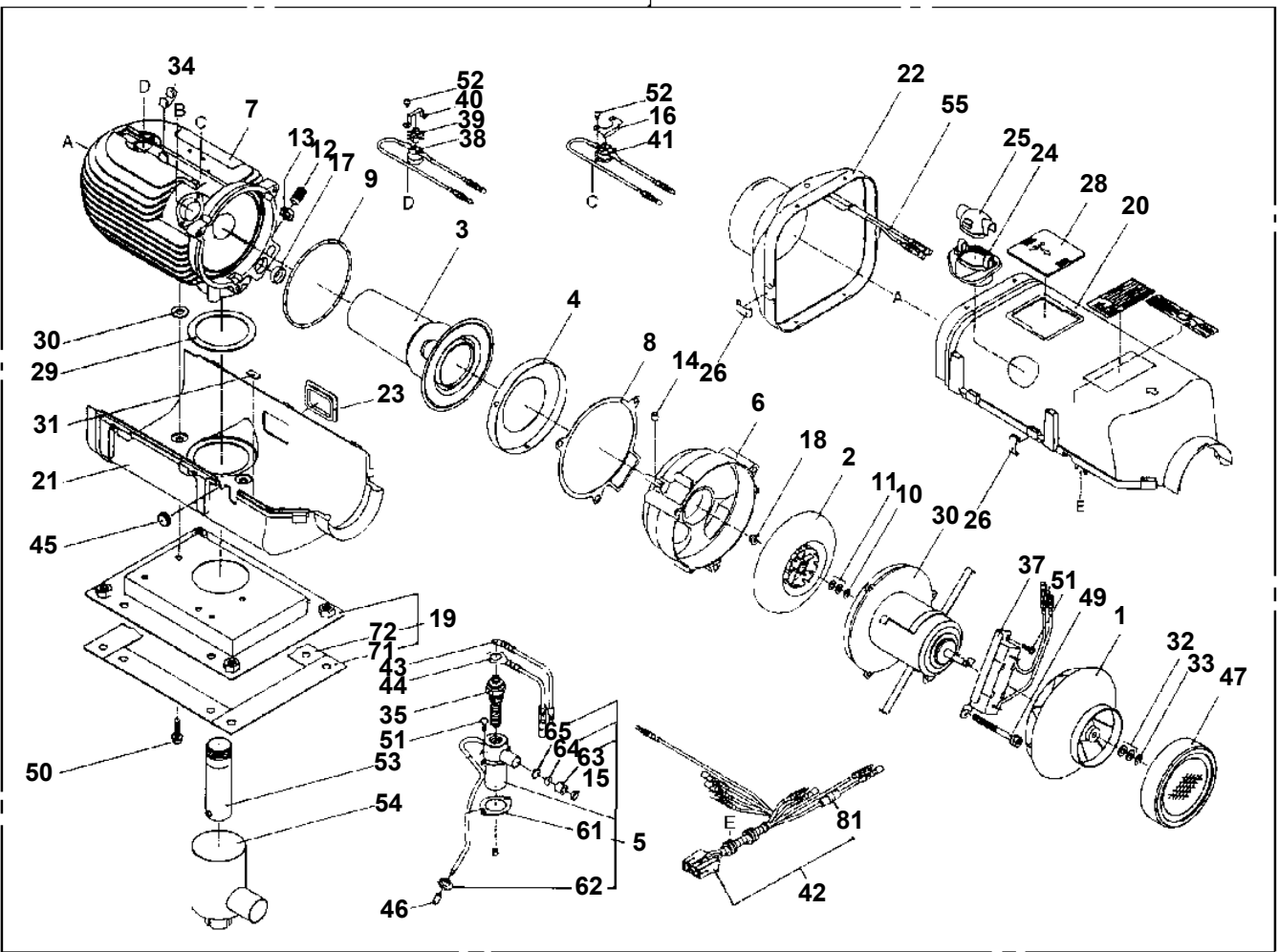
Pos No.	Parts No	Parts Name	Qty	Unit	Technical Data	Serial No (Start)	Serial No (End)	Remarks	Pages
1	34760594100	PLATE	24				355781		
	90303502401	WASHER,PLAIN	48		24	355782			
2	33850040010	PLATE	4						
3	37001504590	BOLT	48		M24X120		355781		
	37001503250	BOLT	48		M24X130	355782			
4	90101210020	BOLT	4		M10X20				
5	90302041001	WASHER,SPRING	4		10				
7	33760263000	SUPPORT	1						
8	33850040020	SUPPORT	2						

TL-300E-3-10806 3 BOOM + JIB, KG520SN

Pos No.	Parts No	Parts Name	Qty	Unit	Technical Data	Serial No (Start)	Serial No (End)	Remarks	Pages
1	33731351000	BLOCK	4		500X500,H=90				
2	33731352000	BOLT	1						
3	33731353000	BOLT	2						
4	37001601630	NUT	2						
5	33440250900	BAR	2						
6	33760605010	STOPPER	4						

TL-300E-3-10806 3 BOOM + JIB, KG520SN
PY1120018-00 HEATER (BODY,MY30AFD2)

100



TL-300E-3-10806 3 BOOM + JIB, KG520SN

Pos No.	Parts No	Parts Name	Qty	Unit	Technical Data	Serial No (Start)	Serial No (End)	Remarks
1	80302010240	FITTING	2					
2	37000913020	JOINT	1					
3	80302010200	FITTING	1		KCT15-040N			
4	81408000241	PIPE,STEEL	1	M	18X1.9T			
5	80321115050	VALVE,CHECK	1					
6	37000704740	CLAMP ASSY	2					
7	37000706880	CLAMP ASSY	2					
8	81408000210	PIPE,STEEL	1	M	15X2.0T			
9	81408000241	PIPE,STEEL	1	M	18X1.9T			
10	80302090241	FITTING	2		KCO18-040N			
11	91002801800	O-RING	2		1B P18			
12	80302090181	FITTING	1		KCO15-030N			
13	91002801400	O-RING	1		1B P14			
15	81408000241	PIPE,STEEL	1	M	18X1.9T			
16	80400160102	FITTING	2		20368-U1/4X1/4			
17	80303030240	FITTING,ELBOW	1					
18	80305100180	FITTING,TEE	1		T,18-18-18			
19	81408000241	PIPE,STEEL	1	M	18X1.9T			
20	89640401000	HOSE	1					
22	80400160103	FITTING	1		20368-U3/8X1/4			
23	80305050160	FITTING,TEE	1		KTK18-040N			
24	80430622000	JOINT	2					
25	37002405280	HOSE	1		L=670			
26	33473890300	JOINT	1					
27	36620400000	VALVE,CHECK	1					
28	33473890400	JOINT	1					
29	81408000210	PIPE,STEEL	1	M	15X2.0T			
31	36610000000	VALVE,FLOW CONTROL	1					
32	90101208050	BOLT	3		M8X50			
33	90302040801	WASHER,SPRING	3		8			
34	37000702240	CLAMP ASSY	1					
35	80301010120	FITTING	1		KUA15-000N			
36	80321118050	VALVE,CHECK	1					
37	81408000241	PIPE,STEEL	1	M	18X1.9T			
38	37002414130	HOSE	1		L=545			
39	(*****)	COOLER,OIL (MOUNT)	1					
40	33473890600	SUPPORT	1					
41	90101210020	BOLT	7		M10X20			
42	90302041001	WASHER,SPRING	7		10			
43	33473890700	SUPPORT	1					
44	81408000210	PIPE,STEEL	1	M	15X2.0T			
45	81408000210	PIPE,STEEL	1	M	15X2.0T			
46	80320010090	FITTING	2		KUD15-030N			
47	37002405510	HOSE	1		L=710			
48	37002425270	HOSE	1		L=400			
49	89640202000	HOSE	1					
50	80430410650	JOINT	1					
51	80430450650	JOINT	1					
52	80400160109	FITTING,ELBOW	1		20369-U3/8X1/4			
53	37000300750	SLEEVE	5		18-15			
54	37000907970	JOINT	1					
55	91002802400	O-RING	1		1B P24			
56	91002803800	O-RING	2		1B P38			
57	33473890900	SUPPORT	1					
	33473890910	SUPPORT	1			355807		
81	91002803800	O-RING	2		1B P38		355806	

CLICK HERE TO **DOWNLOAD** THE COMPLETE MANUAL

- Thank you very much for reading the preview of the manual.
- You can download the complete manual from: www.heydownloads.com by clicking the link below



- Please note: If there is no response to CLICKING the link, please download this PDF first and then click on it.

CLICK HERE TO **DOWNLOAD** THE COMPLETE MANUAL