

# **TL-300E-3-11006 3 BOOM, 1M1D, KG532SN**

**PB1000729-00 HYDRAULIC PRESSURE GENERATING SYSTEM**

**PC1000712-00 OUTRIGGER SYSTEM**

**PD1000686-00 SWING SYSTEM**

**PE1000627-00 ELEVATING SYSTEM**

**PF1000815-00 WINCH SYSTEM**

**PG1000593-00 TELESCOPING SYSTEM**

**PH1000648-00 SAFETY DEVICES**

**PK1000883-00 FRAME**

**PL1000673-00 CONTROL DEVICES**

**PN1000216-01 ELECTRIC EQUIPMENT**

**PO1000144-01 INDICATION PLATES**

**PW1000122-00 ACCESSORIES & TOOLS**

**PX1000272-01 MOUNTING PARTS**

**PY1001941-00 OPTIONS**

**ASSEMBLY**

CLICK HERE TO **DOWNLOAD** THE COMPLETE MANUAL

- Thank you very much for reading the preview of the manual.
- You can download the complete manual from: [www.heydownloads.com](http://www.heydownloads.com) by clicking the link below



- Please note: If there is no response to CLICKING the link, please download this PDF first and then click on it.

CLICK HERE TO **DOWNLOAD** THE COMPLETE MANUAL

# TL-300E-3-11006 3 BOOM, 1M1D, KG532SN

Pos No.	Parts No	Parts Name	Qty	Unit	Technical Data	Serial No (Start)	Serial No (End)
1	36093500000	HOOK (SHEAVE 5 PC'S)	1				
2	(*****)	HOOK (AUXILIARY)	1				
3	37001800850	ROPE,WIRE	1				
4	(*****)	SOCKET,ROPE (SEIZING )	1				
5	(*****)	OPE.ASSY,DRUM LOCK	1				
7	(*****)	OPE.ASSY,CLUTCH	1				
8	(*****)	PIPING,WINCH	1				
9	(*****)	PIPING,WINCH	1				
10	(*****)	MOUNT,WINCH (REAR)	1				
11	(*****)	MOUNT,WINCH (REAR,WINCH COVER)	1				
12	(*****)	MOUNT,WINCH	1				

# TL-300E-3-11006 3 BOOM, 1M1D, KG532SN

Pos No.	Parts No	Parts Name	Qty	Unit	Technical Data	Serial No (Start)	Serial No (End)	Remarks
1	(*****)	SWITCH,DETECTOR (F/J)	1					
2	(*****)	ELEC.ASSY (REAR WINCH)	1					
3	(*****)	ELECTRICAL PARTS,CAB	1					
4	(*****)	SWITCH PANEL (OPERATION)	1					
5	(*****)	LAMP (WORKING)	1					

## TL-300E-3-11006 3 BOOM, 1M1D, KG532SN

PH1170032-00 DETECTOR,CONTROL VALVE ACTUATION  
PH1180044-01 CONNECTION,MOMENT LIMITER SYSTEM  
PH1200032-03 PIPING,VENT  
PH1250009-02 MOMENT LIMITER (AML-M2)  
PI1010034-03 MOTOR,HYDRAULIC (SANWA)  
PI1010099-00 MOTOR,HYDRAULIC  
PI1010111-00 MOTOR,HYDRAULIC (SANWA)  
PI1010121-01 MOTOR,HYDRAULIC (SWING)  
PI1010124-00 MOTOR,HYDRAULIC (COOLER,OIL)  
PI1030007-01 CYLINDER,MASTER (MIYAKO)  
PI1030008-01 CYLINDER,MASTER  
PI1030012-00 CYLINDER,MASTER (NABCO)  
PI1030040-00 CYLINDER,MASTER  
PI1050002-00 RESERVOIR,OIL  
PI1100049-02 VALVE ASSY,RELIEF (27.5MPA)  
PI1100060-01 VALVE,RELIEF  
PI1120085-02 VALVE,SOLENOID  
PI1120086-02 VALVE,SOLENOID  
PI1120353-00 VALVE,SOLENOID  
PI1130012-00 VALVE,HYDRAULIC  
PI1130029-00 VALVE,HYDRAULIC  
PI1140007-01 VALVE,CHECK  
PI1140042-00 VALVE,CHECK  
PI1140047-00 VALVE,CHECK  
PI1140229-00 VALVE,CHECK  
PI1160007-00 VALVE,FLOW CONTROL  
PI1170000-00 VALVE,PRESSURE DETECTOR  
PI1190002-00 VALVE,PRESSURE REGULATOR  
PI1250066-00 VALVE,COUNTERBALANCE (SANWA)  
PI1260011-02 CARTRIDGE, COUNTERBALANCE  
PI1280002-00 VALVE,PILOT CHECK  
PI1300012-03 FILTER,OIL (TANK,OIL)  
PI1300080-00 FILTER,OIL  
PI1420001-01 GAUGE,PRESSURE  
PI1420002-00 GAUGE,PRESSURE  
PK1100178-01 SWING FRAME  
PK1120133-01 SWING TABLE  
PK1140105-02 CAB,OPERATOR  
PK1150021-00 SEAT,OPERATOR  
PK1200350-00 COVER,SWING FRAME  
PK1220191-00 WEIGHT, COUNTERBALANCE  
PK1250023-00 PIPING,WEIGHT REMOVER  
PK1270025-00 CYLINDER,WEIGHT REMOVER (FOR DISMOUNT.)  
PK1330003-00 COVER INSTALLATION  
PK1410038-00 MOUNT,CAB  
PL1010136-02 OPE.ASSY,CONT.VALVE (PEDAL)  
PL1010712-04 OPE.ASSY,CONT.VALVE (ISO)  
PL1010713-02 OPE.ASSY,CONT.VALVE (TDN)  
PL1010826-00 OPE.ASSY,CONT.VALVE (REAR WINCH)  
PL1030221-04 OPE.ASSY,ACCELERATOR(UPPER)  
PN1011189-01 ELEC.ASSY (REAR WINCH)  
PN1050176-00 ELECTRICAL PARTS,CAB  
PN1060108-00 SWITCH PANEL (OPERATION)  
PN1080000-00 LAMP (WORKING)  
PN1140084-00 SWITCH,DETECTOR (F/J)  
PO1010159-03 PLATE ASSY,NAME (OIL)  
PO1010873-00 PLATE ASSY,NAME (ISO ARRANGEMENT)  
PO1013128-01 PLATE ASSY.NAME (UPPER 1)  
PO1013129-00 PLATE ASSY.NAME (UPPER 2)  
PO1013131-00 PLATE ASSY.NAME (REAR WINCH)  
PO1014175-00 PLATE ASSY,NAME (LOWER)  
PO1020001-00 PLATE,NAME (AML)  
PP5240001-00 PLATE,NAME (STD OPERATION MARK)  
PP5240012-00 PLATE,NAME

# TL-300E-3-11006 3 BOOM, 1M1D, KG532SN

Pos No.	Parts No	Parts Name	Qty	Unit	Technical Data	Serial No (Start)	Serial No (End)	Remarks
1	33660000211	GAUGE,OIL	1					
10	36671310000	FILTER,OIL (TANK,OIL)	1					
13	80205001000	PLUG	1					
21	33660005040	BOLT	2		PT1			
	33660007530	BOLT	2		M12X35X1.75	355889	355888	
22	34660131140	PACKING	2				355888	
	34660131140	PACKING	4			355889		
23	34660131150	PACKING	2				355888	
31	33660007511	ELEMENT	1					
32	33660007520	PACKING SET	1					
41	33660107510	BODY (TANK)	1					
43	34660180040	PACKING	1		T=2.0			
44	33660107530	COVER	1					
45	99164008020	BOLT (M8X20)	8					
46	99164010025	BOLT	4		M10X25			
47	36672870000	BREATHER ASSY (OBR-30)	1					
57	36672875040	KEY	2					
100	33660100001	TANK,OIL	1					

# TL-300E-3-11006 3 BOOM, 1M1D, KG532SN

Pos No.	Parts No	Parts Name	Qty	Unit	Technical Data	Serial No (Start)	Serial No (End)	Remarks
91	91002801800	O-RING	1		1B P18			

# TL-300E-3-11006 3 BOOM, 1M1D, KG532SN

Pos No.	Parts No	Parts Name	Qty	Unit	Technical Data	Serial No (Start)	Serial No (End)	Rem
15	34630003000	HOLDER,BRUSH (BROWN CAP)	8					
18	33630497770	SWITCH,LIMIT	1					
20	33630497780	POTENTIOMETER	1					
41	34630007510	BRUSH	16					
100	33630493000	BRUSH,ROTARY JOINT	1					

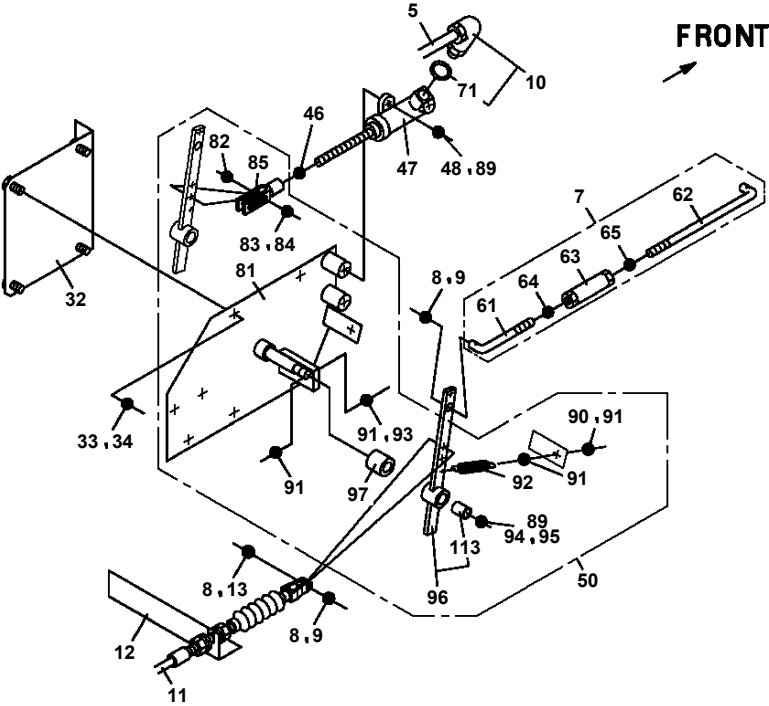
# TL-300E-3-11006 3 BOOM, 1M1D, KG532SN

Pos No.	Parts No	Parts Name	Qty	Unit	Technical Data	Serial No (Start)	Serial No (End)
1	36633415070	BODY,VALVE	1				
2	36632775010	BODY	1				
3	12515102090	BOLT,STUD	4				
4	36633415010	VALVE,CONTROL	4				
5	36634185030	VALVE,CONTROL	1				
6	90201200800	NUT	8		M8		
7	36631595010	VALVE,RELIEF	1				
8	12435101160	RETAINER (VALVE)	4				
9	91002801400	O-RING	4		1B P14		
10	36632775040	VALVE,CHECK	1				
11	36633415040	VALVE,CONTROL	1				
12	36634185050	VALVE,RELIEF	1				
23	91002905500	O-RING	8		1B G55		
24	56051331100	SEAL,OIL	12				
25	12435101180	RETAINER (SEAL)	11				
26	13115102010	RETAINER (SEAL)	10				
27	56051331120	COVER	5				
28	90131506015	BOLT,HEXAGON SOCKET	12		M6X15		
29	56051331150	END,SPOOL	5				
30	13115102030	CASE (BALL)	5				
31	13115102040	SPRING	5				
32	80560005000	BALL,STEEL	10		5		
33	56051331130	RETAINER (BALL)	5				
34	36630965150	COVER (SPRING)	6				
35	90131506025	BOLT,HEXAGON SOCKET	10		M6X25		
43	13115102080	PLUG	1				
44	91001100300	O-RING	1		1A P3		
47	91002801100	O-RING	1		1B P11		
49	36632575040	COVER	1				
51	36633415080	SCREW,SET (HEXAGON SOCKET)	1				
52	36630045140	SPRING	1				
53	12435101170	RETAINER (SPRING)	2				
54	12415101130	SPACER	1				
55	12415101140	NUT	1				
57	90131506020	BOLT,HEXAGON SOCKET	2		M6X20		
58	12435101160	RETAINER (VALVE)	5				
59	91002801400	O-RING	5		1B P14		
63	36630045190	SPRING	1				
64	91000501500	O-RING	1		AS568-015		
65	91002802200	O-RING	1		1B P22		
66	91002801001	O-RING	1		1B P10A		
70	16025153020	SPRING	1				
71	36630045200	SCREW (ADJUSTING)	1		M10X25		
72	36630295130	NUT,CAP	1				
73	36630045220	NUT	1		M10		
74	91001001600	O-RING	3		1A S16		
78	36630755020	STOPPER	1				
84	36632775070	SPRING	1				
86	36630965130	SPRING	1				
93	36634185070	SPRING	1				
97	91002801800	O-RING	1		1B P18		
98	19215101010	O-RING	1				
100	36634180000	VALVE,MANUAL CONTROL (OUTRIGGER,F/J)	1				

### TL-300E-3-11006 3 BOOM, 1M1D, KG532SN

Pos No.	Parts No	Parts Name	Qty	Unit	Technical Data	Serial No (Start)	Serial No (End)	Remarks
1	33611261000	CASE, OUTER	1					
2	33611262000	CASE, INNER	2					
3	36040060000	CYLINDER, EXTENSION	2					
6	90302041001	WASHER, SPRING	8		10			
7	36622460000	VALVE, CHECK	2					
8	90131510032	BOLT, HEXAGON SOCKET	8		M10X32			
9	36031740000	CYLINDER, JACK	2					
10	33611264000	SUPPORT ASSY	2					
11	90101210016	BOLT	8		M10X16			
12	90171116075	BOLT	8		M16X75			
13	90302041601	WASHER, SPRING	8		16			
14	33610023300	FLOAT ASSY	2					
20	37000102100	PIN	4					
21	80136340050	PIN, SPLIT	8		4X50			
22	37000112030	PIN	2					
23	80136325020	PIN, SPLIT	4		2.5X20			
24	82100002535	TUBE, SPIRAL	2	M	SE-29BK			
41	37002402170	HOSE, TWIN	2					
42	80430450450	JOINT	4		YL502			
43	90201200600	NUT	2		M6			
44	90302040601	WASHER, SPRING	2		6			
45	90101206020	BOLT	2		M6X20			
46	82100002008	CLAMP	4		WR12			
47	56057121000	SUPPORT	2					
48	90303070601	WASHER, PLAIN	2		6			
51	33611264100	SUPPORT	2					
52	33610240120	PLATE, SLIDE	2					
53	90180210040	BOLT, BUTTON	4		M10X40			
54	90302041001	WASHER, SPRING	16		10			
61	90191410045	BOLT	12		M10X45			
63	33610023310	COVER	4					
64	33610028010	FLOAT ASSY	2					
71	82456101000	NIPPLE, GREASE	2		A-PT1/8			

TL-300E-3-11006 3 BOOM, 1M1D, KG532SN  
PC1120148-01 OPE.ASSY,OUTRIGGER ACCELERATOR

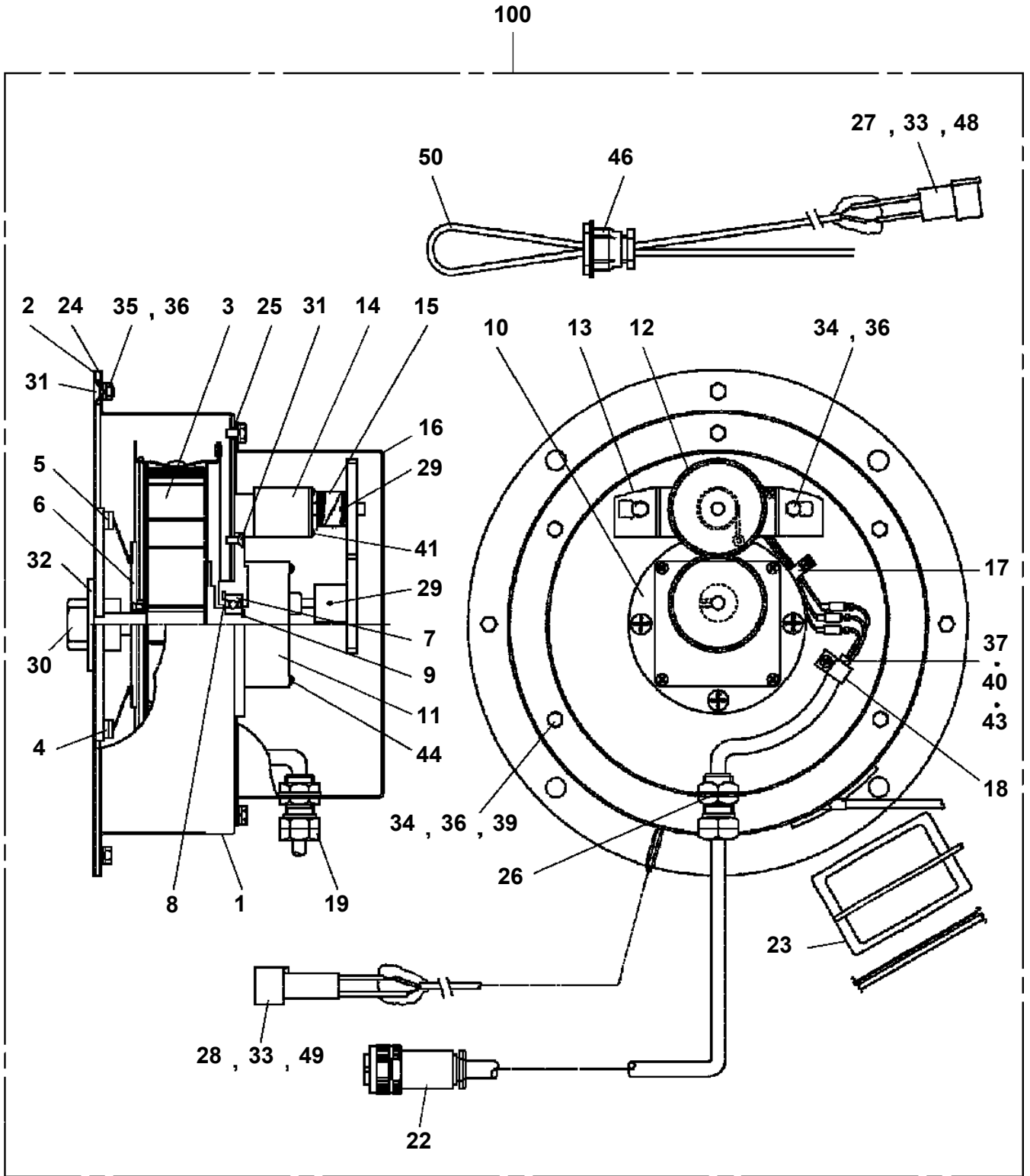


D

## TL-300E-3-11006 3 BOOM, 1M1D, KG532SN

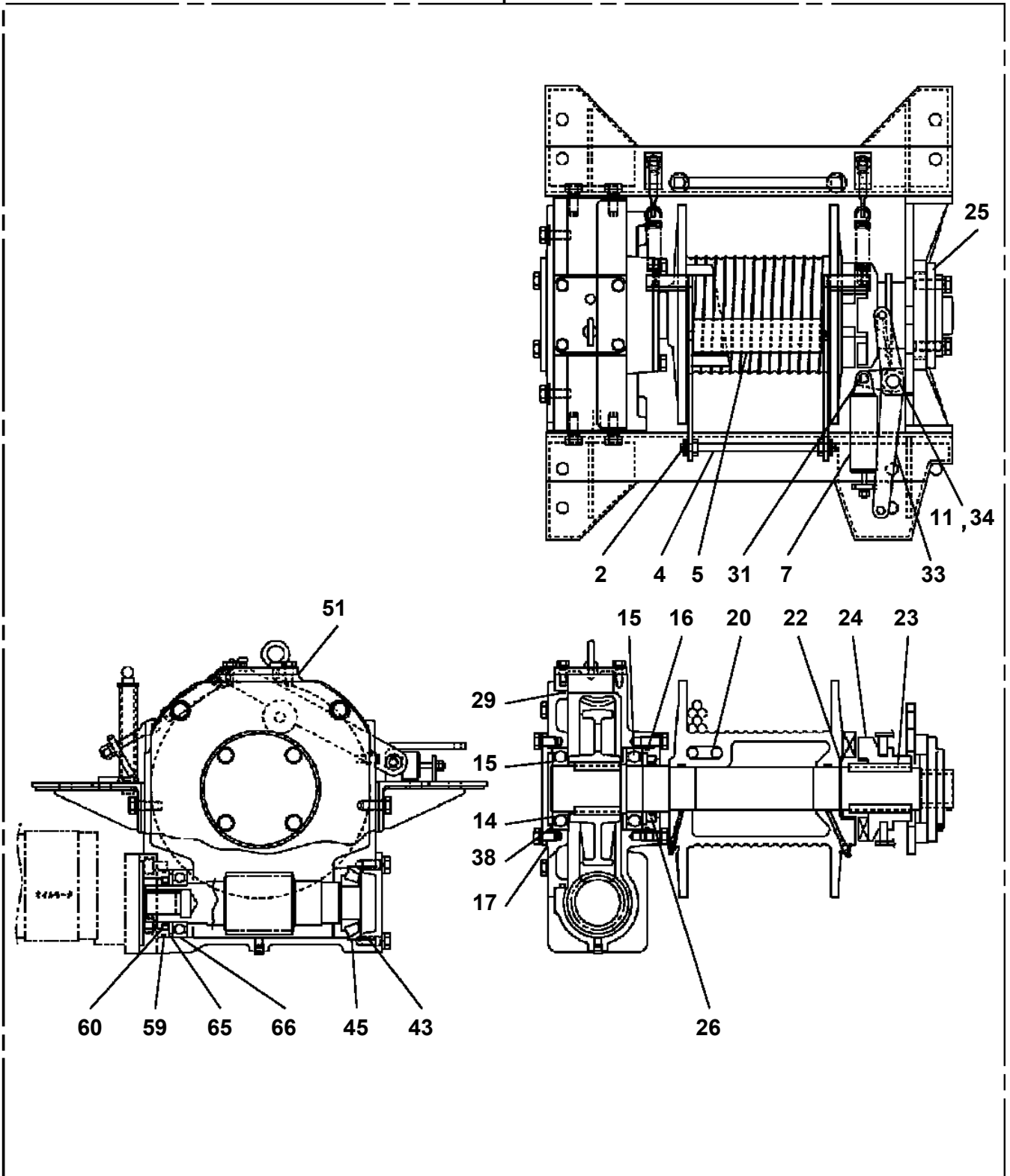
Pos No.	Parts No	Parts Name	Qty	Unit	Technical Data	Serial No (Start)	Serial No (End)	Remarks
1	36030340101	CYLINDER	1					
2	80720105018	PIN,SPRING	1		5X18			
3	36030340200	PISTON	1					
4	91684008001	PACKING	2					
5	91411206502	RING,BACKUP	2					
6	91002803900	O-RING	1		1B P39			
8	91302208000	BEARING,PLAIN	2					
9	36030340300	ROD	1					
11	91002907500	O-RING	1		1B G75			
12	91251100600	RING,DAMPER	1					
13	91694006000	PACKING	1					
14	91410206002	RING,BACKUP	1					
15	91660006001	SEAL,DUST	1					
17	90101510030	BOLT	2		M10X30			
18	90302041001	WASHER,SPRING	2		10			
30	36030340600	COVER,ROD	1					
31	80612110680	RING,RITAINING	1		AR68			
32	80801006030	BEARING,PLAIN	1					
34	36030340650	STOPPER	1					
35	90101210025	BOLT	2		M10X25			
36	90302041001	WASHER,SPRING	2		10			
52	36030349910	PACKING SET	1		60X80			
60	36030340001	FRONT JACK,HYDRAULIC	1					

TL-300E-3-11006 3 BOOM, 1M1D, KG532SN  
PD5080060-00 DETECTOR ASSY,LENGTH



TL-300E-3-11006 3 BOOM, 1M1D, KG532SN  
PF1010226-00 WINCH

100





**TL-300E-3-11006 3 BOOM, 1M1D, KG532SN**

Pos No.	Parts No	Parts Name	Qty	Unit	Technical Data	Serial No (Start)	Serial No (End)	Remarks	Page
4	36671250000	FILTER,OIL	1						
5	36622080000	VALVE,CHECK	1						0001
6	36672480000	ACCUMULATOR	1				355967		
	36673260000	ACCUMULATOR	1			355968			
8	80302090101	FITTING	4		KCO10-020N		355967		
	80302090101	FITTING	5		KCO10-020N	355968			
9	80400160135	JOINT	2						
10	80305010080	FITTING,TEE	3		KTA10-000N				
11	80400160103	FITTING	2		20368-U3/8X1/4				
13	80305050080	FITTING,TEE	1		KTA10-020N				
14	80430621600	JOINT	1						
18	80400160112	FITTING,ELBOW	1		20369U1/2X1/2				
19	80303130101	FITTING,ELBOW	2		KLO10-020E				
20	80316070120	PLUG	2		G1				
21	80301010080	FITTING	2		KUA10-000E				
22	80320020050	FITTING	1		KUF10-020N				
25	80302010100	FITTING	2		KCT10-020N				
26	80302010120	FITTING	1		KCT10-030N				
27	80315040040	JOINT	1						
29	80303050060	FITTING,ELBOW	1						
30	80316070040	PLUG	1		PF1/4				
31	80303030100	FITTING,ELBOW	1		KLN10-020N				
33	80430620400	JOINT	1						
34	91002802900	O-RING	5		1B P29				
35	91002801400	O-RING	1		1B P14		355967		
36	91002801100	O-RING	9		1B P11		355967		
	91002801100	O-RING	10		1B P11	355968			
37	37000919910	JOINT (ORIFICE)	2		0.7				
40	81408000130	PIPE,STEEL	1	M	10X1.8T				
41	81408000130	PIPE,STEEL	1	M	10X1.8T				
42	81408000130	PIPE,STEEL	1	M	10X1.8T				
44	81408000130	PIPE,STEEL	1	M	10X1.8T				
45	81408000130	PIPE,STEEL	1	M	10X1.8T				
46	81408000130	PIPE,STEEL	1	M	10X1.8T				
47	81408000130	PIPE,STEEL	1	M	10X1.8T				
48	81408000130	PIPE,STEEL	1	M	10X1.8T				
49	81408000130	PIPE,STEEL	1	M	10X1.8T				
55	81408000130	PIPE,STEEL	1	M	10X1.8T				
57	37002420910	HOSE	2		L=770				
58	89640101000	HOSE	1		880-NFK,1M				
60	89640201000	HOSE	1		660-NFK,1M				
62	37002415780	HOSE	1		L=530				
64	37000711000	CLAMP ASSY	4		12-1				
66	37000539200	PLATE	1						
69	37000502450	PLATE	1						
70	90101208020	BOLT	3		M8X20		355967		
	90101208020	BOLT	5		M8X20	355968			
72	37000514160	PLATE	1						
73	90101208035	BOLT	2		M8X35				
74	90304111601	WASHER,TOOTH	1		16				
75	80316030080	PLUG	1		PT1/2				
76	90302040801	WASHER,SPRING	5		8		355967		
	90302040801	WASHER,SPRING	7		8	355968			
77	37000502970	PLATE	1						
78	37000300720	SLEEVE	4		12-10				
79	37000914960	JOINT	1						
83	81408000130	PIPE,STEEL	1	M	10X1.8T				
84	36643170000	VALVE,HYDRAULIC	1						0000
85	37000502310	PLATE	1						
86	80302090121	FITTING	1		KCO10-030N		355967		
87	81408000130	PIPE,STEEL	1	M	10X1.8T				
88	80441010906	FITTING	1						
89	80481308080	JOINT	1		L,G1-G1				

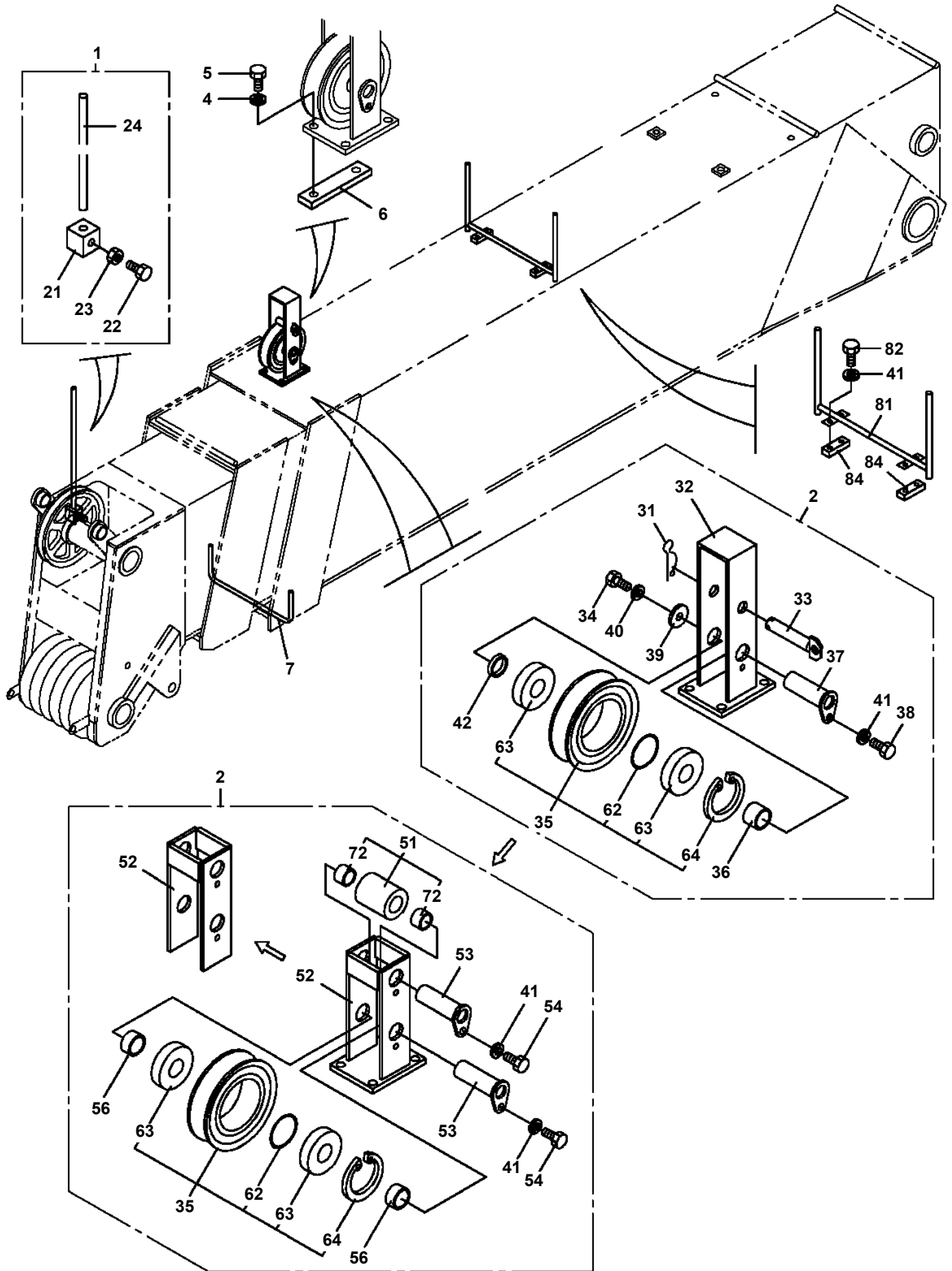
### TL-300E-3-11006 3 BOOM, 1M1D, KG532SN

Pos No.	Parts No	Parts Name	Qty	Unit	Technical Data	Serial No (Start)	Serial No (End)	Remarks
4	37000307330	SPACER	1					
5	37001003520	SHEAVE ASSY	6					
6	37000155470	PIN	1					
8	37000301000	PLATE	7		T=20			
9	80561100140	NUT	1		AN14			
10	80562100140	WASHER,TOOTH	1		AW14			
11	37000153190	PIN	3					
12	37000103620	PIN	1					
13	16511007000	PLATE	2					
14	90101510020	BOLT	4		M10X20			
15	90302041001	WASHER,SPRING	6		10			
17	33201101001	BOOM, TOP	1					
18	33201102000	BOOM, 2ND	1					
19	33201109510	BOOM, BASE	1					
21	90101512035	BOLT	14		M12X35			
22	90302041201	WASHER, SPRING	14		12			
23	33200270160	RETAINER	1					
24	33200270170	RETAINER	1					
25	37002001560	PLATE, SLIDE	6					
26	33200270200	RETAINER	2					
27	37002001390	PLATE, SLIDE	2					
28	90303070801	WASHER, PLAIN	8		8			
29	90102506010	BOLT	8		M6X1.0			
30	90101510030	BOLT	2		M10X30			
32	33200074400	PLATE	1					
33	37000129030	PIN	1					
34	34200025400	PLATE	1					
35	90131506020	BOLT, HEXAGON SOCKET	8		M6X20			
36	37002000030	PLATE, SLIDE	8		15X50X150			
37	33200000380	SHIM	20		T=1.0			
38	33200000390	SHIM	8		T=0.6			
39	80316030100	PLUG	2		PT3/4			
40	82456106000	NIPPLE, GREASE	4		1/4-28UNF			
42	80602110600	RING, RITAINING	4		R60			
43	37000110400	PIN	2					
44	37000147760	PIN	1					
46	37000129650	PIN	2					
47	37000129640	PIN	1					
48	37000400220	BEARING, PLAIN	2					
49	90730010160	SCREW, SET	4		M10X16			
52	18111009010	PIN, SNAP	3					
53	80602110700	RING, RITAINING	4		R70			
54	82456101000	NIPPLE, GREASE	1		A-PT1/8			
62	80612111250	RING, RITAINING	6		AR125			
63	80515006214	BEARING, BALL	12					
71	34200160030	PLATE	8					
72	33200000210	SHIM	N		T=1.0			
73	33200000220	SHIM	N		T=0.6			
74	37002001300	PLATE, SLIDE	8					
75	90101512025	BOLT	32		M12X25			
76	90302041201	WASHER, SPRING	32		12			
77	90101212020	BOLT	8		M12X20			
89	33201102500	SUPPORT	2					

# TL-300E-3-11006 3 BOOM, 1M1D, KG532SN

Pos No.	Parts No	Parts Name	Qty	Unit	Technical Data	Serial No (Start)	Serial No (End)	Remark
1	36130990000	DETECTOR,BOOM LENGTH	1				355914	
	36130990001	DETECTOR,BOOM LENGTH	1			355915	356106	
	36130990002	DETECTOR ASSY,LENGTH	1			356107		
2	37001600870	NUT	4		M10			
3	90101208016	BOLT	4		M8X16			
4	90304110801	WASHER,TOOTH	4		8			
6	33370020620	SUPPORT	2					
7	33370020610	SUPPORT	1					
8	34360662010	SUPPORT	1					
9	37000705910	CLAMP ASSY	1		D=8			
10	33371530100	GUARD	1					

TL-300E-3-11006 3 BOOM, 1M1D, KG532SN  
PG1360134-00 GUIDE, WIRE



CLICK HERE TO **DOWNLOAD** THE COMPLETE MANUAL

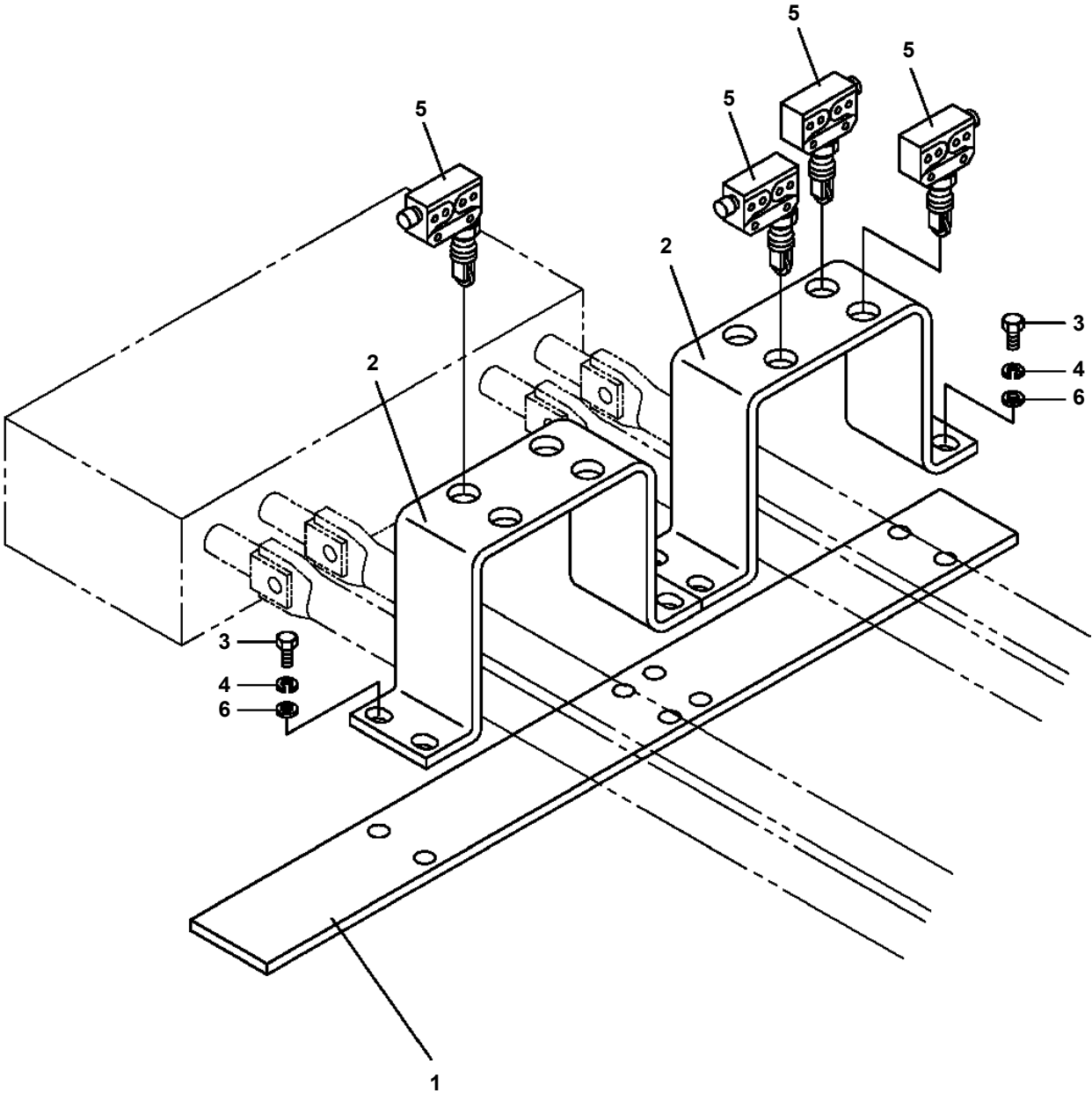
- Thank you very much for reading the preview of the manual.
- You can download the complete manual from: [www.heydownloads.com](http://www.heydownloads.com) by clicking the link below



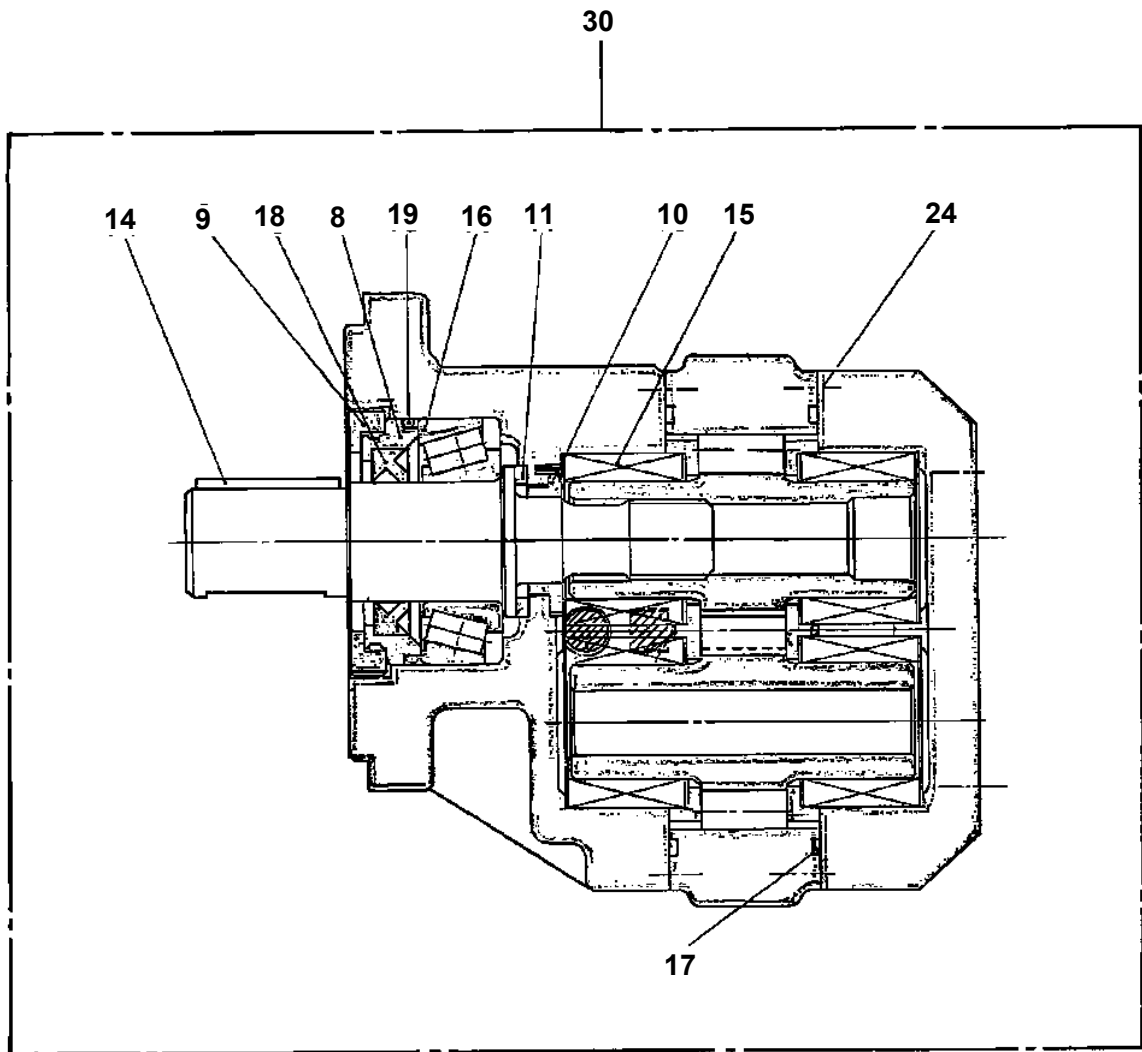
- Please note: If there is no response to CLICKING the link, please download this PDF first and then click on it.

CLICK HERE TO **DOWNLOAD** THE COMPLETE MANUAL

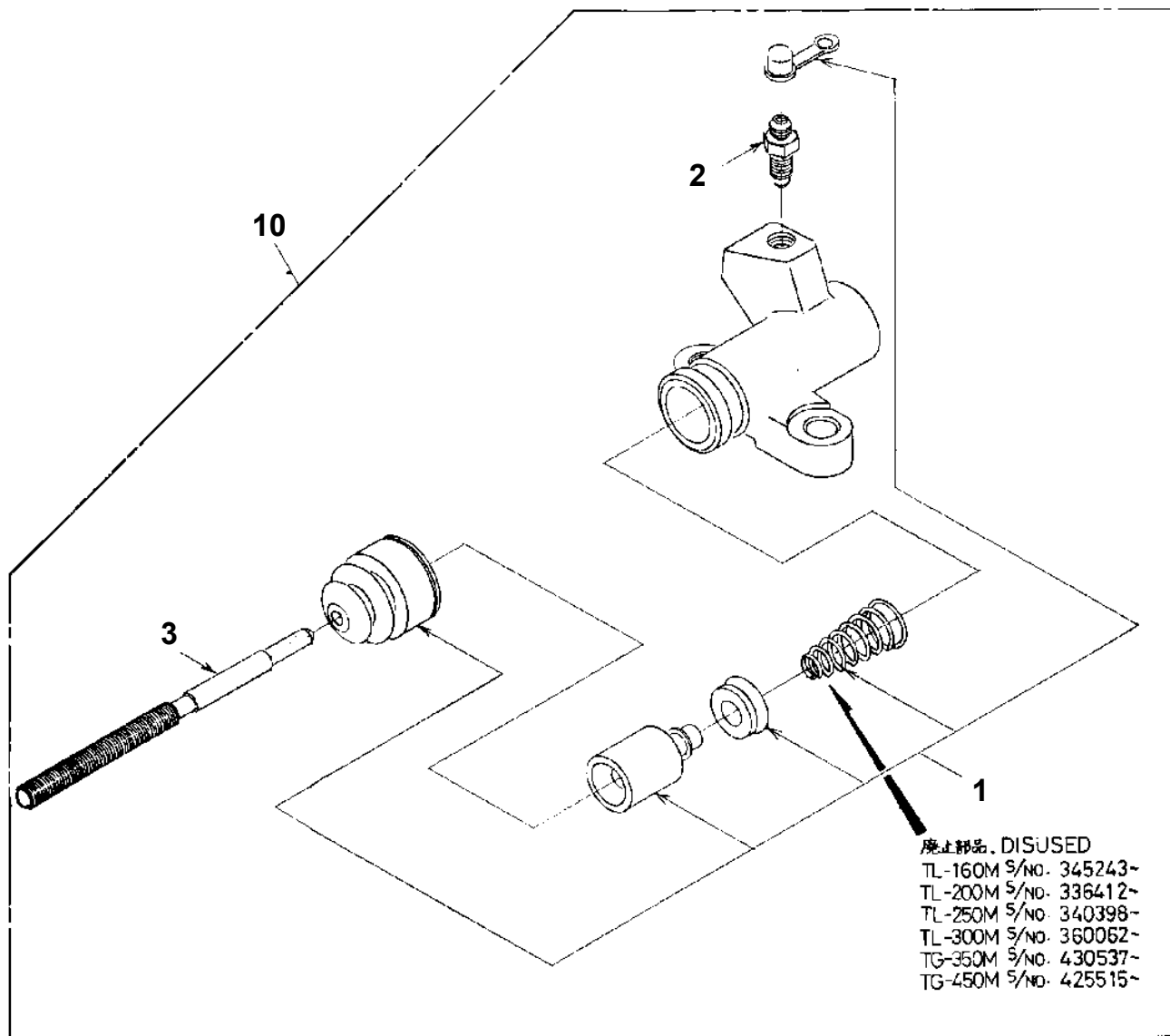
**TL-300E-3-11006 3 BOOM, 1M1D, KG532SN  
PH1170032-00 DETECTOR,CONTROL VALVE ACTUATION**



TL-300E-3-11006 3 BOOM, 1M1D, KG532SN  
PI1010099-00 MOTOR, HYDRAULIC



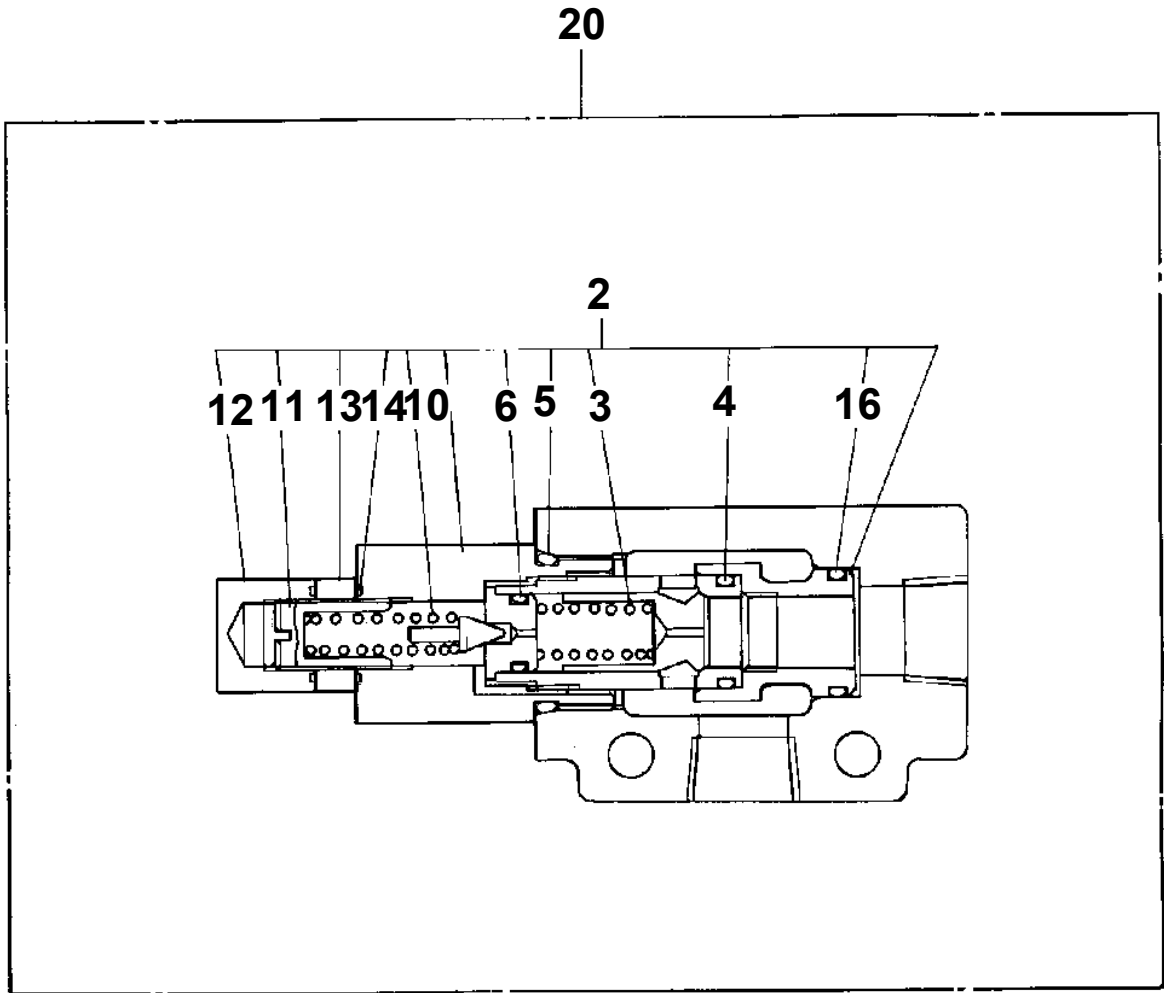
TL-300E-3-11006 3 BOOM, 1M1D, KG532SN  
PI1030008-01 CYLINDER,MASTER



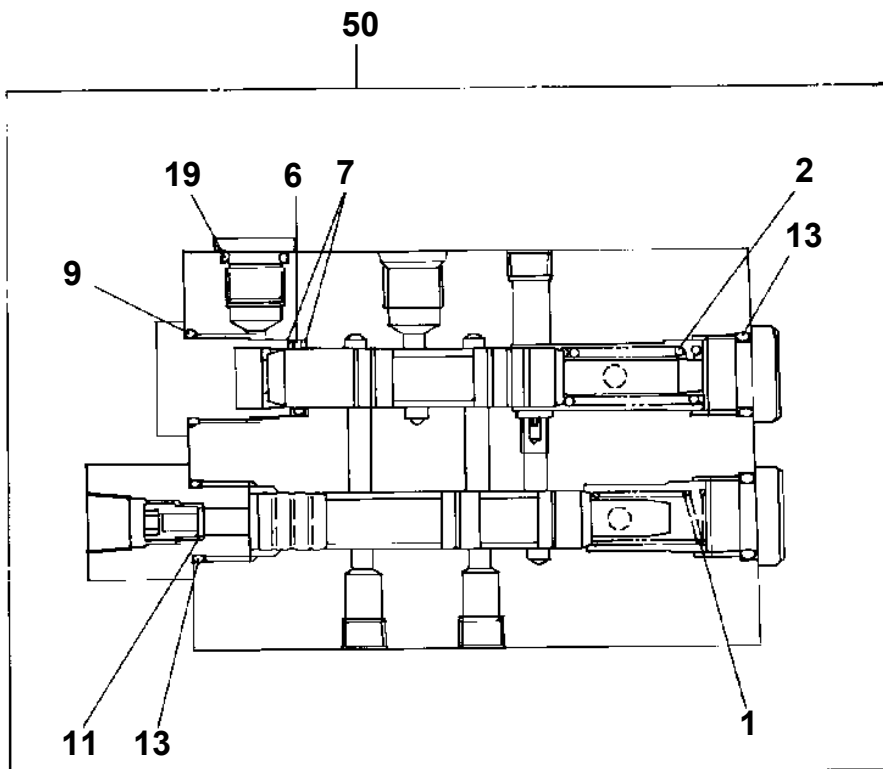
TL-300E-3-11006 3 BOOM, 1M1D, KG532SN  
PI1100060-01 VALVE,RELIEF

ASSEMBLY INQUIRY VALVE, RELIEF

11110 0000 01

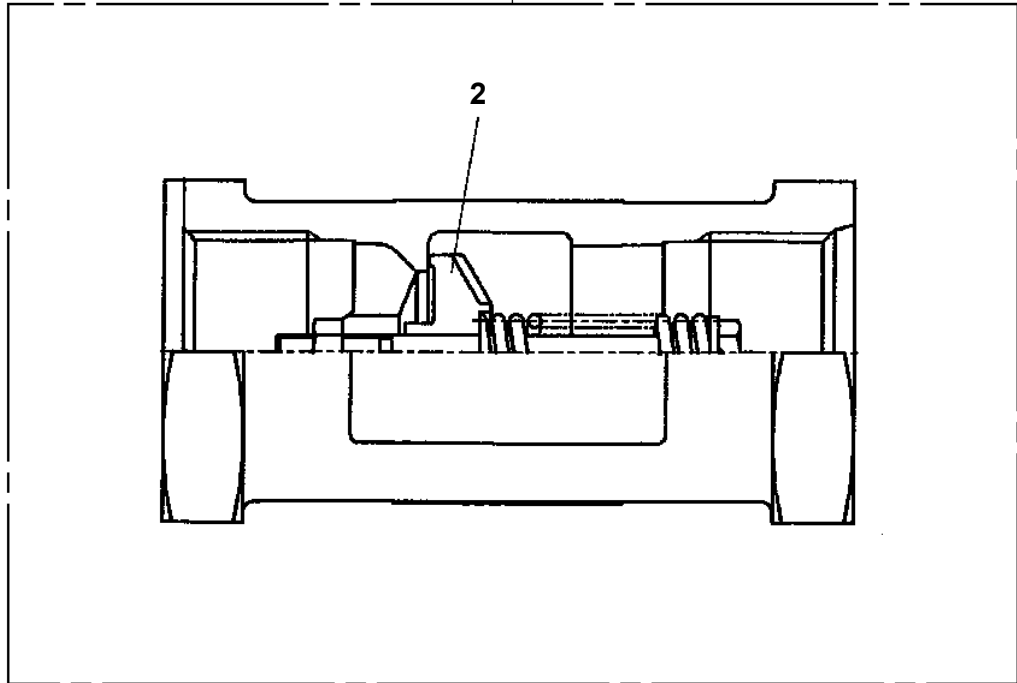


TL-300E-3-11006 3 BOOM, 1M1D, KG532SN  
PI1130012-00 VALVE, HYDRAULIC

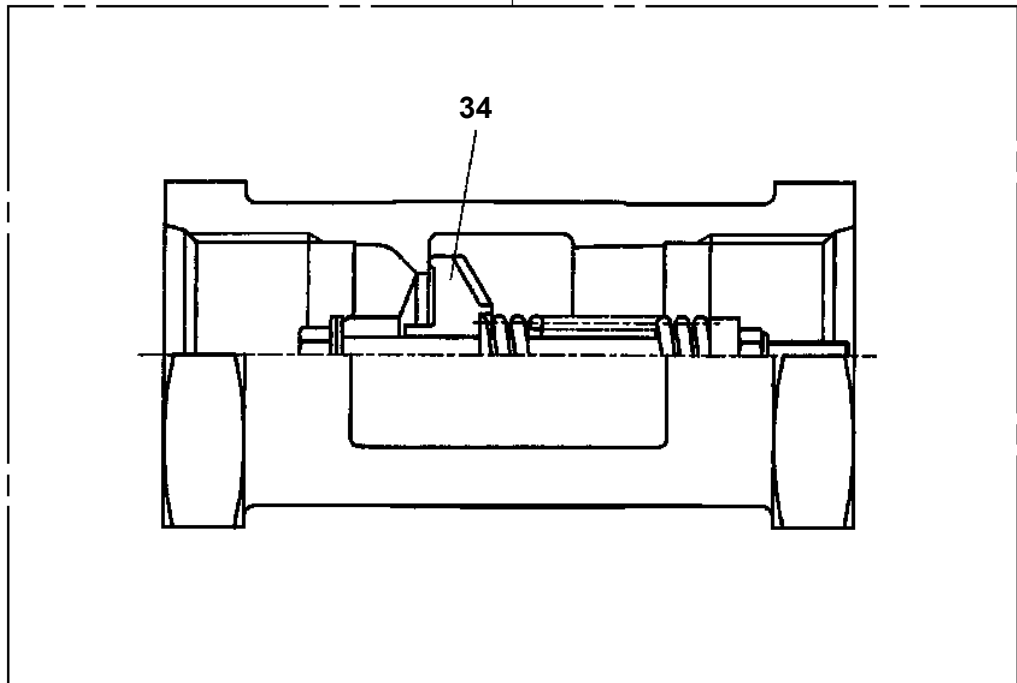


TL-300E-3-11006 3 BOOM, 1M1D, KG532SN  
PI1140229-00 VALVE,CHECK

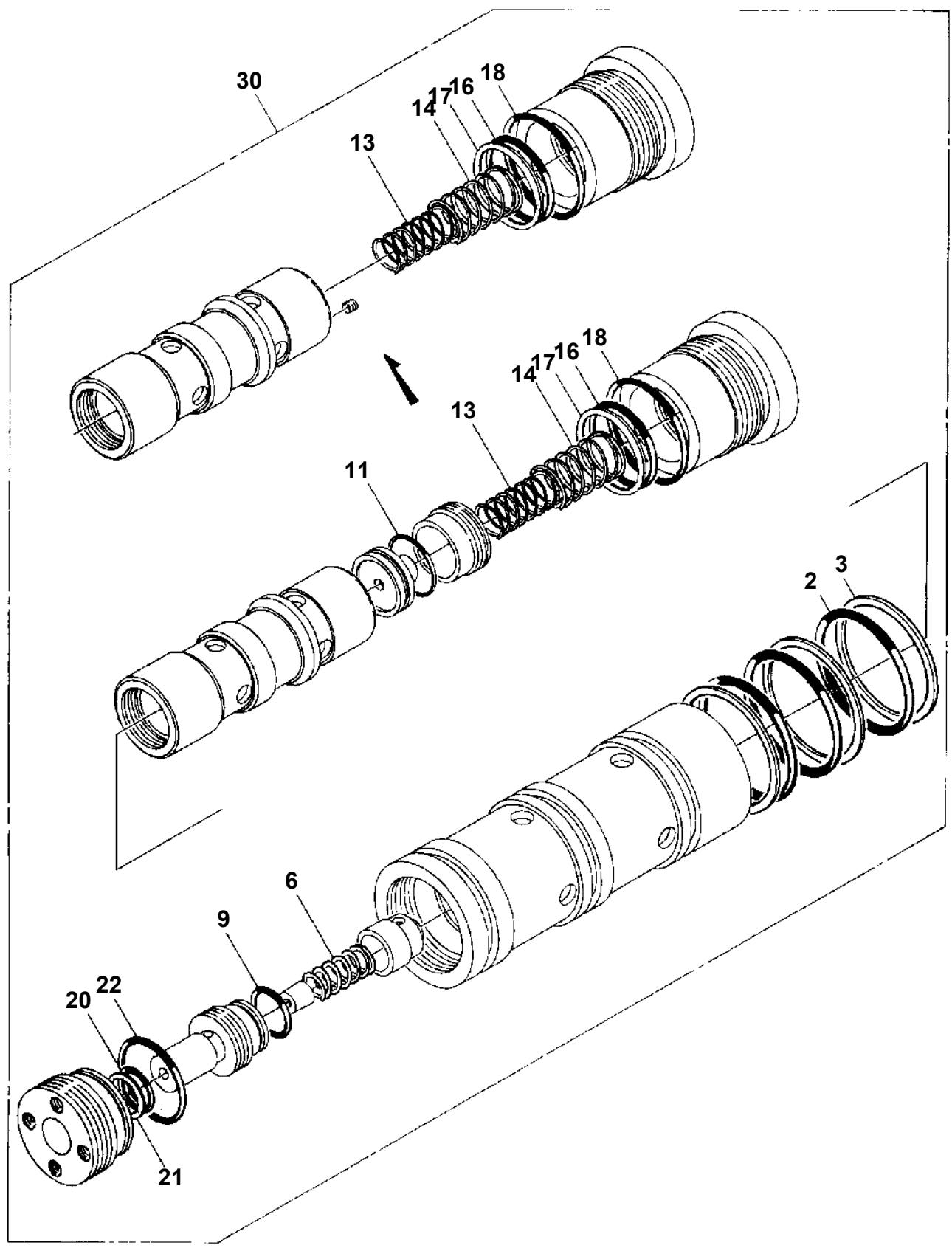
100



100

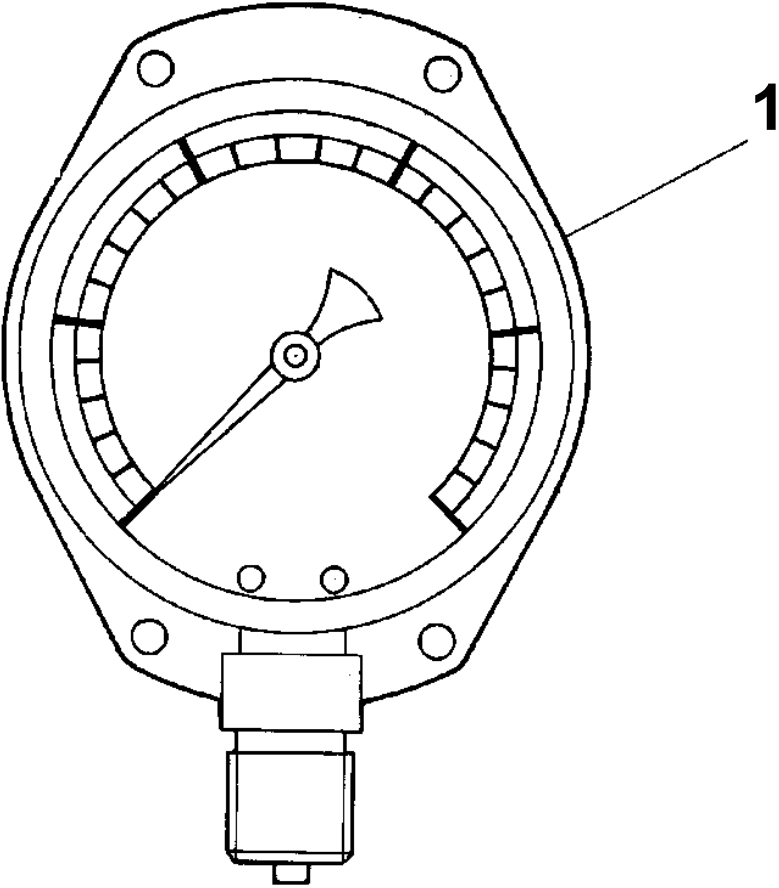


TL-300E-3-11006 3 BOOM, 1M1D, KG532SN  
PI1260011-02 CARTRIDGE, COUNTERBALANCE



TL-300E-3-11006 3 BOOM, 1M1D, KG532SN  
PI1420002-00 GAUGE,PRESSURE

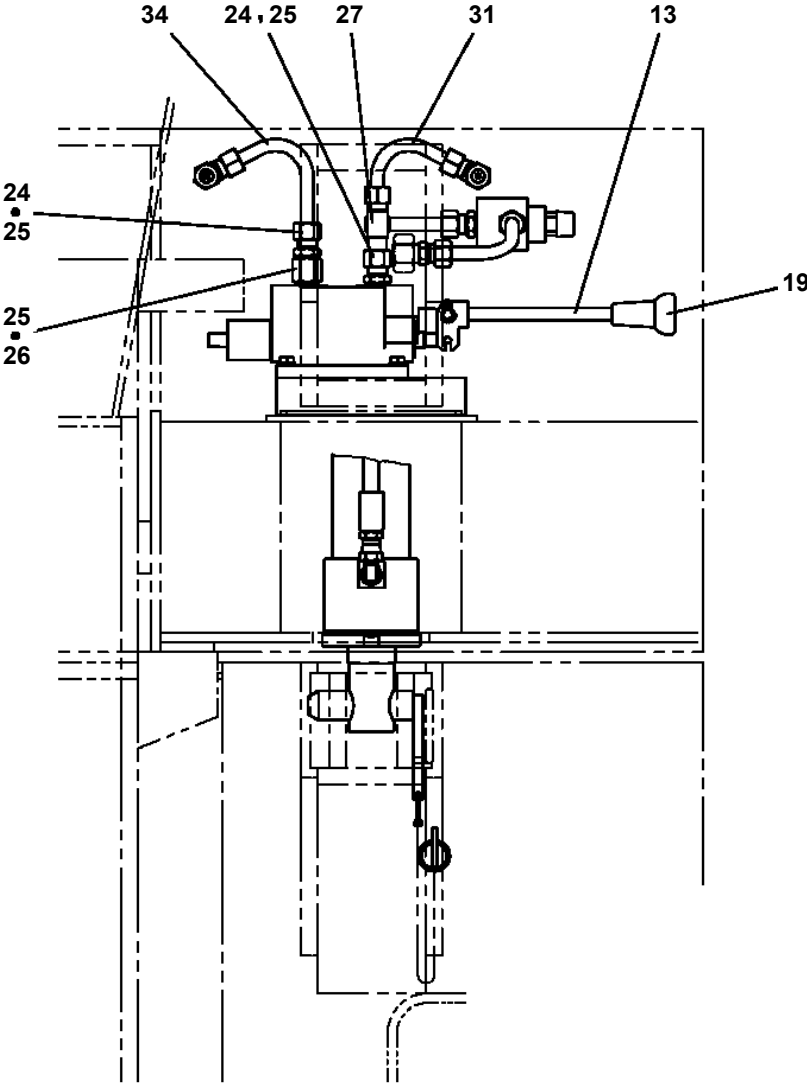
---



# TL-300E-3-11006 3 BOOM, 1M1D, KG532SN

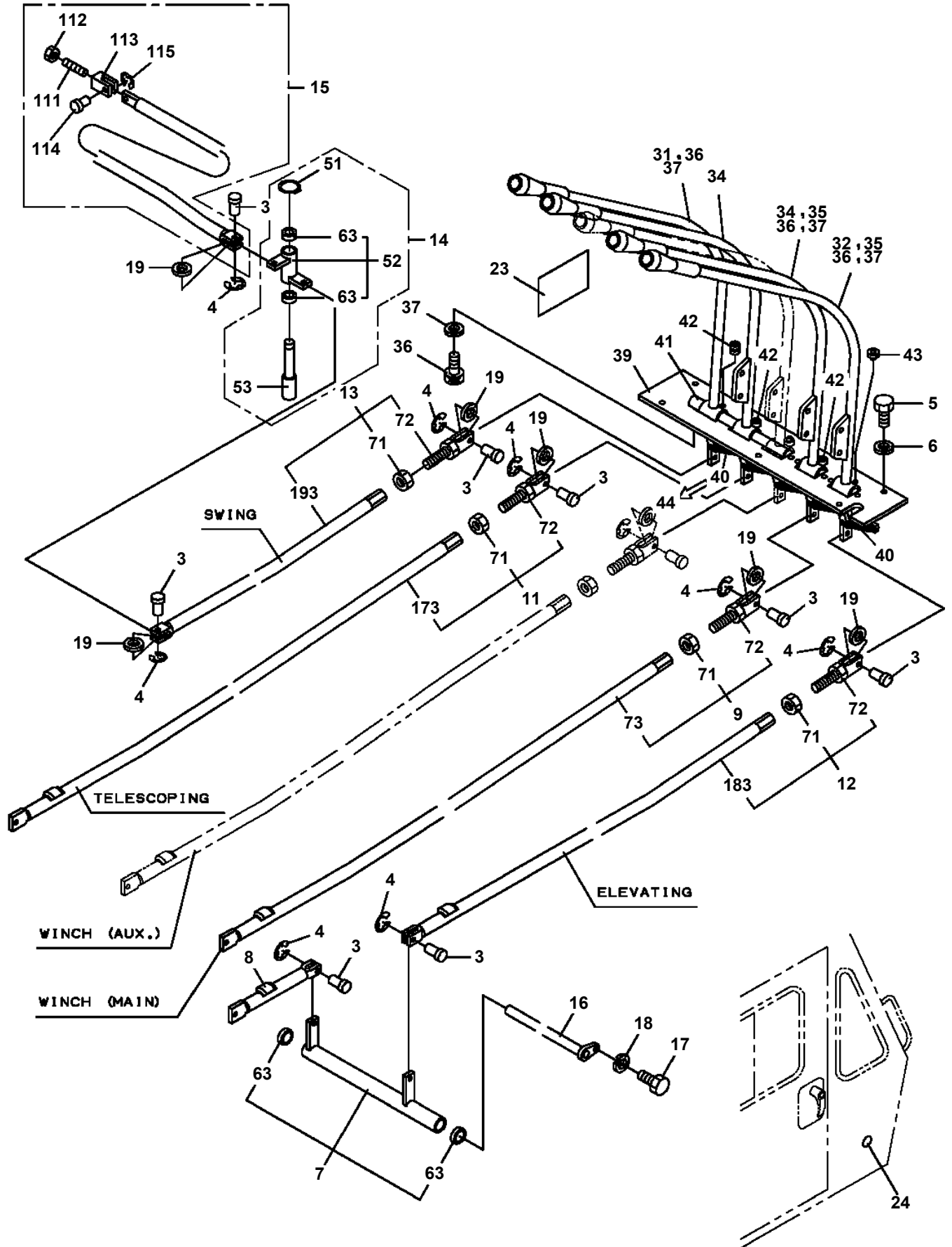
Pos No.	Parts No	Parts Name	Qty	Unit	Technical Data	Serial No (Start)	Serial
73	33260015010	COVER (CATCH)	1				
74	33260010200	COVER	1				
78	34260005750	SWITCH ASSY	1				
80	80176305012	SCREW,MACHINE	8		M5X12		
81	90302040501	WASHER,SPRING	8		5		
82	33260545070	SUPPORT (MOTOR)	1				
83	34260239620	PACKING	1				
84	33260495130	PACKING	3				
85	34260237810	HANDLE ASSY (GLASS)	1				
86	33260495150	PACKING	1				
87	80192486012	SCREW,MACHINE	3		M6X12		
88	80192484016	SCREW,MACHINE	6		M4X16		
89	34260237830	HOLDER ASSY (GLASS/REAR)	2				
90	33260495160	PACKING	2				
91	33260617510	GLASS	1				
92	33260637530	MOTOR	1				
93	34260233241	ARM,WIPER (ROOF)	1				
94	34260233251	BLADE,WIPER (ROOF)	1				
96	33260015170	NUT (WITH RUBBER)	3		M6		
111	90302040601	WASHER,SPRING	4		6		
124	90102208016	BOLT	4		M8X16		
125	90302040801	WASHER,SPRING	4		8		
144	90102206012	BOLT	4		M6X12		
147	90302040401	WASHER,SPRING	4		4		
168	80172304008	SCREW,MACHINE	4		M4X8		
171	90916140120	SCREW,TAPPING	10		M4X12		
172	33260017570	WEATHER STRIP (L=544/FRAME SET)	1				
173	90916040205	SCREW,TAPPING	1		M4X20		
174	33260017590	RUBBER	1				
175	33260017560	FRAME ASSY	1				
176	33260017550	LOCK ASSY (2 CATCHESFOR 1 SASH)	1				
177	33260017530	CATCH ASSY	2				
178	33260017540	CATCH ASSY	2				
179	33260017520	LOCK ASSY (SIDE-FRONT,REAR-LEFT)	1				
180	33260017510	LOCK ASSY (SIDE-REAR,REAR-RIGHT)	1				
181	33260015220	GLASS	1				
182	33260015230	GLASS	1				
183	33260015240	LOCK	2				
184	33260015250	CATCH	2				
185	33260015260	CATCH	2				
187	80174304010	SCREW,MACHINE	4		M4X10		
188	80176304007	SCREW,MACHINE	6		M4X7		
191	33260015510	CYLINDER (WITH KEY)	1				
	33260015290	LOCK ASSY (DOOR/ WITHOUT KEY CYLINDER)	1				
192	33260015300	HANDLE (OUTER)	1				
193	33260015310	HANDLE (INNER)	1				
201	33260017600	RUBBER (U)	1				
202	33260017610	RUN CHANNEL	1				
300	33260612000	CAB,OPERATOR	1				

**TL-300E-3-11006 3 BOOM, 1M1D, KG532SN  
PK1250023-00 PIPING,WEIGHT REMOVER**



**A**

**TL-300E-3-11006 3 BOOM, 1M1D, KG532SN  
 PL1010712-04 OPE.ASSY,CONT.VALVE (ISO)**



# TL-300E-3-11006 3 BOOM, 1M1D, KG532SN

Pos No.	Parts No	Parts Name	Qty	Unit	Technical Data	Serial No (Start)	Serial No (End)
91	37000400510	BEARING,PLAIN	2				

# TL-300E-3-11006 3 BOOM, 1M1D, KG532SN

Pos No.	Parts No	Parts Name	Qty	Unit	Technical Data	Serial No (Start)	Serial No (End)	Remarks
1	82161161125	RELAY	1					
2	90302040601	WASHER,SPRING	1		6			
3	80182306012	SCREW,MACHINE	1		M6X12			
4	82100001683	SWITCH,TOGGLE	1					
5	82100002261	CONNECTOR (2POLES,MALE)	1					
6	82100002355	TERMINAL (GOLD)	2					

# TL-300E-3-11006 3 BOOM, 1M1D, KG532SN

Pos No.	Parts No	Parts Name	Qty	Unit	Technical Data	Serial No (Start)	Serial No (End)	Remarks	P
1	33731163010	PLATE,CAUTION	1						
2	32470464010	PLATE (WINCH)	1						
3	50770106000	PLATE,NAME (CLUTCH)	1						

## TL-300E-3-11006 3 BOOM, 1M1D, KG532SN

Pos No.	Parts No	Parts Name	Qty	Unit	Technical Data	Serial No (Start)	Serial No (End)	Remarks
1	36670455010	PLATE (A)	1					
2	36670455020	PLATE (B)	1					
3	36670455030	PACKING (SEAT)	1					
4	36671410010	CASE (SPRING)	1				356106	
	36670455040	BOX (SPRING)	1			356107		
5	36670455050	SPRING	1					
6	36670455060	SPRING	1					
7	36670455070	BOLT	2		M8X12			
8	90302040801	WASHER,SPRING	3		8			
9	90201200800	NUT	2		M8			
10	80515006003	BEARING,BALL	1					
11	36670455080	BUSH	1					
12	80515006007	BEARING,BALL	1				356106	
	80513006007	BEARING,BALL	1			356107		
13	16246595020	RING ASSY (RL)	2					
15	36671410030	PIN	1				356106	
	36671650200	PIN	1			356107		
16	36671410040	SUPPORT	1				356106	
	36671650300	SUPPORT	1			356107		
17	90730005120	SCREW,SET	3		M5X12		356106	
18	90201200600	NUT	6		M6			
19	90302040601	WASHER,SPRING	6		6			
20	36670455110	PLATE	1					
21	90102208014	BOLT	1		M8X14			
23	80602110700	RING,RETAINING	1		R70		356106	
24	36670545060	SEAL,OIL	1				356106	
25	36671410020	SPACER	1				356106	
26	91001203000	O-RING	1		1A G30		356106	
27	90101510018	BOLT	4		M10X18		356106	
28	90302041001	WASHER,SPRING	4		10		356106	
29	36671410050	RING,RETAINING	1				356106	
30	36670675030	GROMMET	1			356059		
31	91282412251	SEAL,OIL	1			356107		
32	36671650400	PLATE	1			356107		
33	90172206014	BOLT,HEXAGON SOCKET	2		M6X14	356107		
100	36671410000	REEL ASSY,HOSE	1					

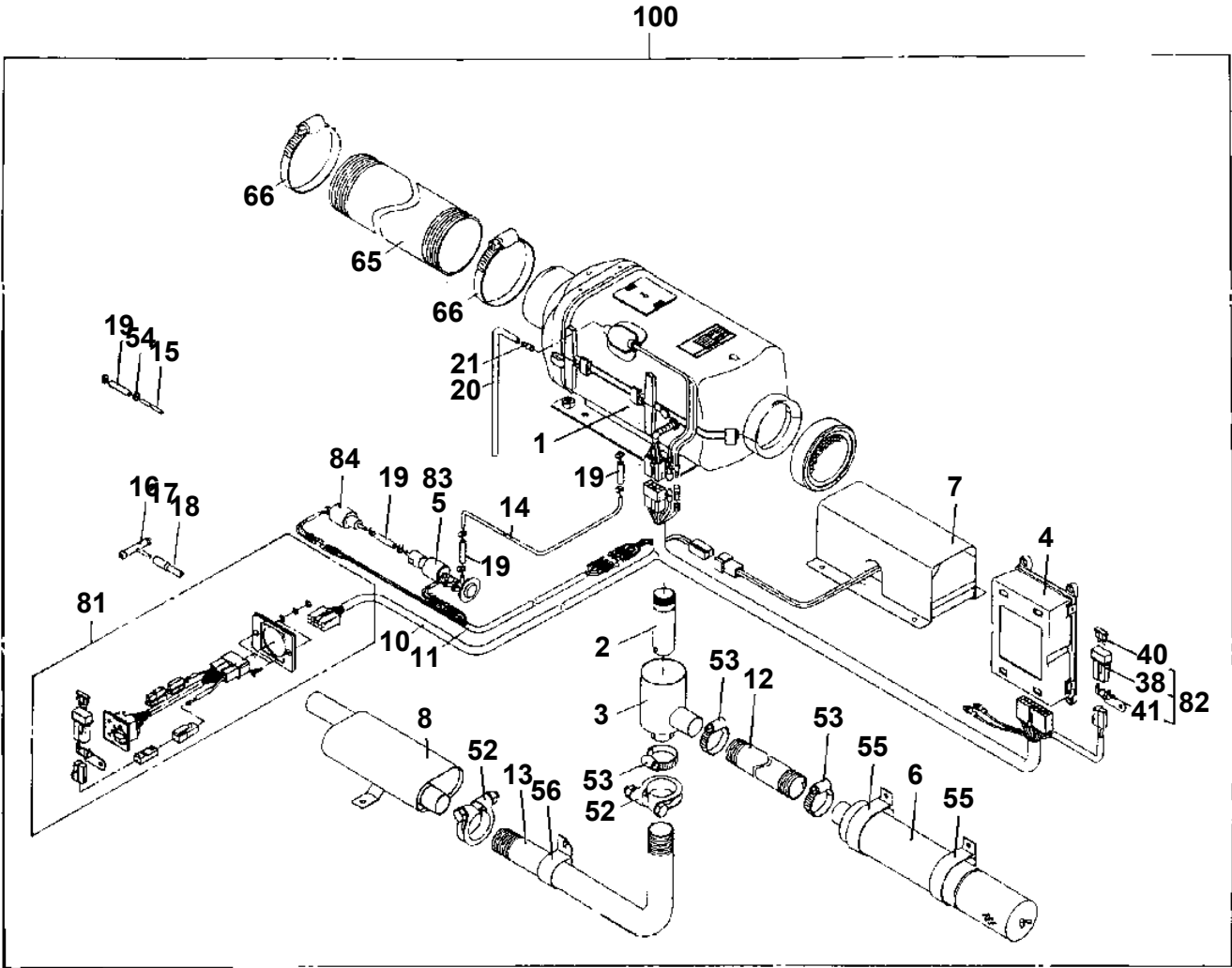
# TL-300E-3-11006 3 BOOM, 1M1D, KG532SN

Pos No.	Parts No	Parts Name	Qty	Unit	Technical Data	Serial No (Start)	Serial No (End)	Remarks	Pages
1	33860350101	SUPPORT	4						
4	33860350401	SUPPORT	4						
6	37000128890	PIN	4						
8	37000305290	SPACER	4		L=150				
9	33860540100	PLATE	2						
10	33860540200	PLATE	2						
11	33860540300	PLATE	2						

# TL-300E-3-11006 3 BOOM, 1M1D, KG532SN

Pos No.	Parts No	Parts Name	Qty	Unit	Technical Data	Serial No (Start)	Serial No (End)	Remarks	Pages
1	33762750401	COVER	2						
2	33762752000	COVER ASSY	3						
3	33762750501	COVER	1						
23	90101210014	BOLT	12		M10X14				
24	90302041001	WASHER,SPRING	12		10				
31	33762752100	COVER	3						
32	56760106000	PLATE	6						
35	33762752200	SUPPORT	3						

TL-300E-3-11006 3 BOOM, 1M1D, KG532SN  
PY1120017-01 HEATER ASSY (DIESEL FUEL,MY30)



# TL-300E-3-11006 3 BOOM, 1M1D, KG532SN

Pos No.	Parts No	Parts Name	Qty	Unit	Technical Data	Serial No (Start)	Serial No (End)
9	36290665010	VALVE,SOLENOID	1				
13	36290665240	HOLDER (PUMP)	1				
14	36290665250	RUBBER	1				
15	36290665260	CLAMP	1				
17	36290665280	BOLT	1				
19	36290665290	NUT	1				
21	36290665300	WASHER,SPRING	2				
50	36290662100	HEATER (VALVE KIT ASSY,SOLENOID)	1				

CLICK HERE TO **DOWNLOAD** THE COMPLETE MANUAL

- Thank you very much for reading the preview of the manual.
- You can download the complete manual from: [www.heydownloads.com](http://www.heydownloads.com) by clicking the link below



- Please note: If there is no response to CLICKING the link, please download this PDF first and then click on it.

CLICK HERE TO **DOWNLOAD** THE COMPLETE MANUAL