

TL-250E-3-20102 4 BOOM + JIB, 2M2D, K203LA

PB1000177-02 HYDRAULIC PRESSURE GENERATING SYSTEM

PC1000132-01 OUTRIGGER SYSTEM

PD1000164-03 SWING SYSTEM

PE1000162-01 ELEVATING SYSTEM

PF1000153-05 WINCH SYSTEM

PG1000156-01 TELESCOPING SYSTEM

PH1000150-03 SAFETY DEVICES

PK1000169-03 FRAME

PL1000167-02 CONTROL DEVICES

PN1000148-02 ELECTRIC EQUIPMENT

PO1000144-01 INDICATION PLATES

PW1000122-00 ACCESSORIES & TOOLS

PX1000168-03 MOUNTING PARTS

PY1000150-03 OPTIONS

ASSEMBLY

CLICK HERE TO **DOWNLOAD** THE COMPLETE MANUAL

- Thank you very much for reading the preview of the manual.
- You can download the complete manual from: www.heydownloads.com by clicking the link below



- Please note: If there is no response to CLICKING the link, please download this PDF first and then click on it.

CLICK HERE TO **DOWNLOAD** THE COMPLETE MANUAL

TL-250E-3-20102 4 BOOM + JIB, 2M2D, K203LA

Pos No.	Parts No	Parts Name	Qty	Unit	Technical Data	Serial No (Start)	Serial No (End)
1	36090140001	HOOK (SHEAVE 4 PC'S)	1				
2	(*****)	HOOK (AUXILIARY)	1				
3	36093010000	HOOK (OPTION,SHEAVE 1 PC)	1				
5	37001802510	ROPE,WIRE	1				
	37001802520	ROPE,WIRE	1				
7	37001802550	ROPE,WIRE	1				
	37001802540	ROPE,WIRE	1				
8	(*****)	SOCKET,ROPE	2				
11	(*****)	OPE.ASSY,DRUM LOCK (MAIN)	1				
12	(*****)	OPE.ASSY,DRUM LODK (AUX.)	1				
15	(*****)	DETECTOR,DISORDERLY WINDING	1				
16	(*****)	DETECTOR,DISORDERLY WINDING	1				
17	(*****)	PIPING,WINCH (MAIN)	1				
18	(*****)	PIPING,WINCH (AUX.)	1				
21	(*****)	DETECTOR,DRUM ROTATION (AML-M,OPTION)	1				
22	(*****)	MOUNT,WINCH (MAIN)	1				
23	(*****)	MOUNT,WINCH (AUX.)	1				
101	36071770000	WINCH	2				
103	33311011000	BAND,WINCH BRAKE	2				
105	36660950000	MOTOR,HYDRAULIC (SANWA)	2				335617
	36661840000	MOTOR,HYDRAULIC (SANWA)	2			335617	
106	36661680000	MOTOR,HYDRAULIC (SANWA)	2				
108	36643170000	VALVE,HYDRAULIC	1				
109	36603180000	VALVE,COUNTERBALANCE (SANWA)	2				
110	36671060005	ACCUMULATOR	2				335985
	36672480000	ACCUMULATOR	2			335985	

TL-250E-3-20102 4 BOOM + JIB, 2M2D, K203LA

Pos No.	Parts No	Parts Name	Qty	Unit	Technical Data	Serial No (Start)	Serial No (End)	Remarks
1	(*****)	ELECTRICAL PARTS,CAB	1					
2	(*****)	SWITCH PANEL (OPERATION)	1					
3	(*****)	LAMP (WORKING)	1					
4	(*****)	SWITCH,DETECTOR (F/J)	1				336283	

TL-250E-3-20102 4 BOOM + JIB, 2M2D, K203LA

PG1130075-00 DETECTOR,BOOM LENGTH (WITH ANGLE DETECT)
PG1160002-01 DETECTOR,BOOM RETRACTION (TOP)
PG1200064-03 PIPING,TELESCOPING
PG1360061-00 WIRE GUIDE (BOOM)
PH1060073-02 DETECTOR,OVER WINDING (BOOM)
PH1060550-04 DETECTOR,OVER WIND (JIB&S/T)
PH1070001-02 SWITCH,OVER WIND DETECTOR (BOOM)
PH1070002-02 SWITCH,OVER WIND DETECTOR (JIB&S/T)
PH1170011-00 DETECTOR,CONTROL VALVE ACTUATION
PH1170031-00 DETECTOR,CONTROL VALVE ACTUATION
PH1180084-01 CONNECTION,MOMENT LIMITER SYSTEM
PH1200032-03 PIPING,VENT
PH1390000-02 LEVEL GAUGE
PI1010034-03 MOTOR,HYDRAULIC (SANWA)
PI1010052-00 MOTOR,HYDRAULIC (SANWA)
PI1010111-00 MOTOR,HYDRAULIC (SANWA)
PI1010121-01 MOTOR,HYDRAULIC (SWING)
PI1010124-00 MOTOR,HYDRAULIC (COOLER,OIL)
PI1030007-01 CYLINDER,MASTER (MIYAKO)
PI1030008-01 CYLINDER,MASTER
PI1030008-01 CYLINDER,MASTER
PI1030012-00 CYLINDER,MASTER (NABCO)
PI1030040-00 CYLINDER,MASTER
PI1040011-00 CYLINDER,AIR
PI1050002-00 RESERVOIR,OIL
PI1120085-02 VALVE,SOLENOID
PI1120086-02 VALVE,SOLENOID
PI1120353-00 VALVE,SOLENOID
PI1130012-00 VALVE,HYDRAULIC
PI1130029-00 VALVE,HYDRAULIC
PI1140007-01 VALVE,CHECK
PI1140042-00 VALVE,CHECK
PI1140047-00 VALVE,CHECK
PI1140229-00 VALVE,CHECK
PI1160007-00 VALVE,FLOW CONTROL
PI1170000-00 VALVE,PRESSURE DETECTOR
PI1250066-00 VALVE,COUNTERBALANCE (SANWA)
PI1260011-02 CARTRIDGE, COUNTERBALANCE
PI1280002-00 VALVE,PILOT CHECK
PI1300012-03 FILTER,OIL (TANK,OIL)
PI1300080-00 FILTER,OIL
PI1300120-02 FILTER,OIL
PI1340011-01 ACCUMULATOR
PI1420001-01 GAUGE,PRESSURE
PI1420002-00 GAUGE,PRESSURE
PK1100064-01 SWING FRAME
PK1120096-01 SWING TABLE
PK1140055-06 CAB,OPERATOR
PK1150021-00 SEAT,OPERATOR
PK1200066-03 COVER,SWING FRAME
PK1220078-00 WEIGHT, COUNTERBALANCE
PK1330000-01 COVER
PK1330001-00 COVER (WITHOUT RADIO)
PK1330002-01 COVER (WITHOUT HEATER,OP.)
PK1410024-00 MOUNT,CAB
PL1010134-06 OPE.ASSY,CONT.VALVE (TDN)
PL1010136-02 OPE.ASSY,CONT.VALVE (PEDAL)
PL1010394-01 OPE.ASSY,CONT.VALVE (TDN,AUX.WINCH)
PL1010395-02 OPE.ASSY,CONT.VALVE (ISO,AUX.WINCH)
PL1010712-04 OPE.ASSY,CONT.VALVE (ISO)
PL1030105-02 OPE.ASSY,ACCELERATOR (LOWER)
PL1030221-04 OPE.ASSY,ACCELERATOR(UPPER)
PN1050049-03 ELECTRICAL PARTS,CAB
PN1060005-04 SWITCH PANEL (OPERATION)

TL-250E-3-20102 4 BOOM + JIB, 2M2D, K203LA

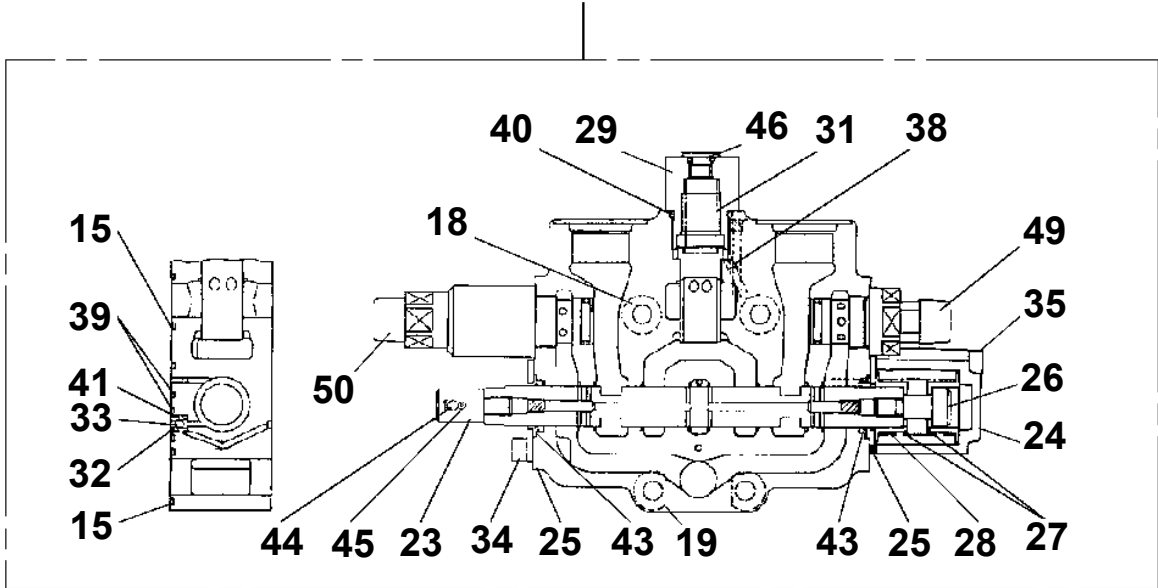
Pos No.	Parts No	Parts Name	Qty	Unit	Technical Data	Serial No (Start)	Serial No (End)	Rema
1	33660000211	GAUGE,OIL	1					
3	91001221000	O-RING	1		1A G210		336207	
4	33660100100	COVER	2				336207	
5	33660000220	BREATHER ASSY (OB-30T)	1				336207	
6	90302041001	WASHER,SPRING	10		10		336207	
7	90101210016	BOLT	6		M10X16		336207	
8	90303071001	WASHER,PLAIN	4		10		336207	
9	90101210025	BOLT	4		M10X25		336207	
10	36670510000	FILTER,OIL	1				336344	
	36670510000	FILTER,OIL	1			336208	336344	
	36671310000	FILTER,OIL (TANK,OIL)	1			336345		
13	80205001000	PLUG	1		PT1			
21	33660005040	BOLT	2		M12X35X1.75		336344	
	33660005040	BOLT	2		M12X35X1.75	336208	336344	
	33660007530	BOLT	2			336345		
22	33660005050	PACKING	4				335949	
	34660131140	PACKING	4			335950	336327	
	34660131140	PACKING	2			336328	336344	
	34660131140	PACKING	4			336345		
23	34660131150	PACKING	2			336328	336344	
31	33660007510	ELEMENT (OB-30T & OBR-30)	1				336433	
	33660007511	ELEMENT	1			336434		
32	33660007520	PACKING SET	1					
41	33660107510	BODY (TANK)	1			336208		
43	33660107520	PACKING	1			336208	336222	
	34660180040	PACKING	1		T=2.0	336223		
44	33660107530	COVER	1			336208		
45	99172108020	BOLT,TAPPING	8		M8X20	336208	336222	
	99164008020	BOLT (M8X20)	8			336223		
46	99164010025	BOLT	4		M10X25	336208		
47	36672870000	BREATHER ASSY (OBR-30)	1			336208		
57	36672875040	KEY	2			336208		
100	33660100001	TANK,OIL	1					

TL-250E-3-20102 4 BOOM + JIB, 2M2D, K203LA

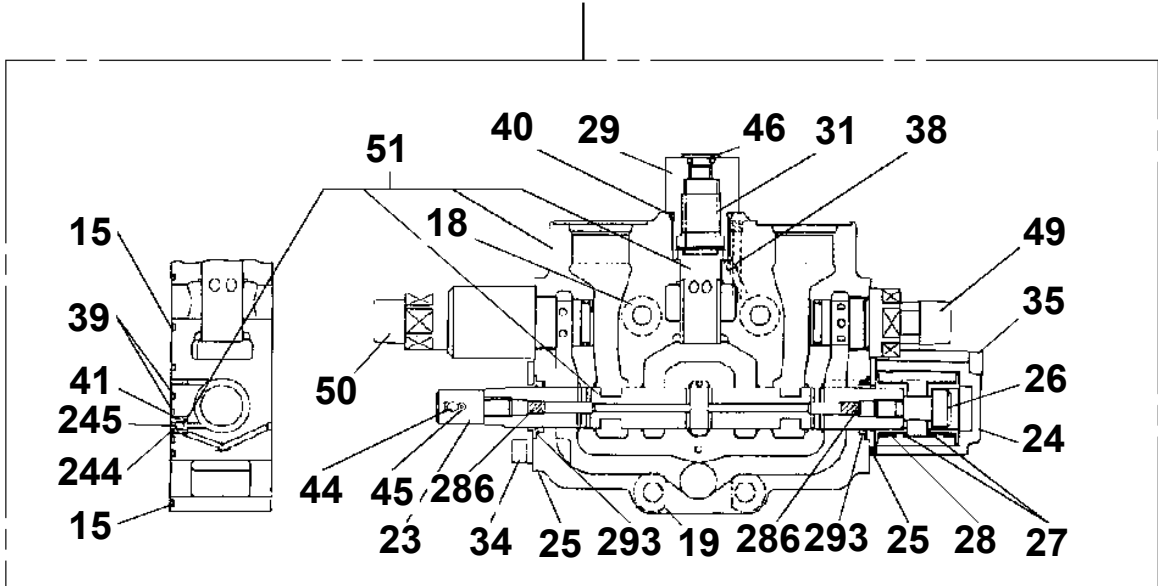
Pos No.	Parts No	Parts Name	Qty	Unit	Technical Data	Serial No (Start)	Serial No (End)	Remarks	Page
1	81408000081	PIPE,STEEL	1	M	8X1.2T				
2	81408000130	PIPE,STEEL	1	M	10X1.8T				
3	37000702280	CLAMP ASSY	1						
4	37000300720	SLEEVE	1		12-10				
5	80307010080	FITTING	1						
6	81408000081	PIPE,STEEL	1	M	8X1.2T				
7	81408000081	PIPE,STEEL	1	M	8X1.2T				
8	37000703410	CLAMP ASSY	1						
9	14115209000	PACKING	2						
10	80172304010	SCREW,MACHINE	8		M4X10				
11	90302040401	WASHER,SPRING	8		4				
12	36680830000	GAUGE,PRESSURE	1						0001
13	18335110000	GAUGE,PRESSURE	1						0001
14	81408000081	PIPE,STEEL	2	M	8X1.2T				
15	81408000081	PIPE,STEEL	2	M	8X1.2T				
16	14215209000	FITTING	2						
17	80309010060	SLEEVE	2				336219		
	80309010065	SLEEVE	2			336220			
18	80306010060	NUT	2		KKN08-000N		336219		
	80306010065	NUT	2		KNN08-000E	336220			
19	37000300710	SLEEVE	3		12-8				
20	80301010060	FITTING	3		KUA08-000N				
21	80307030160	FITTING	2		KGA08-030N				
22	80316030040	PLUG	1		PT1/4				
25	36622080000	VALVE,CHECK	1						0001
26	90101208035	BOLT	2		M8X35				
27	90302040801	WASHER,SPRING	2		8				

**TL-250E-3-20102 4 BOOM + JIB, 2M2D, K203LA
PB1320103-06 VALVE,MANUAL CONTROL**

2 ELEVATING (~1989.9)

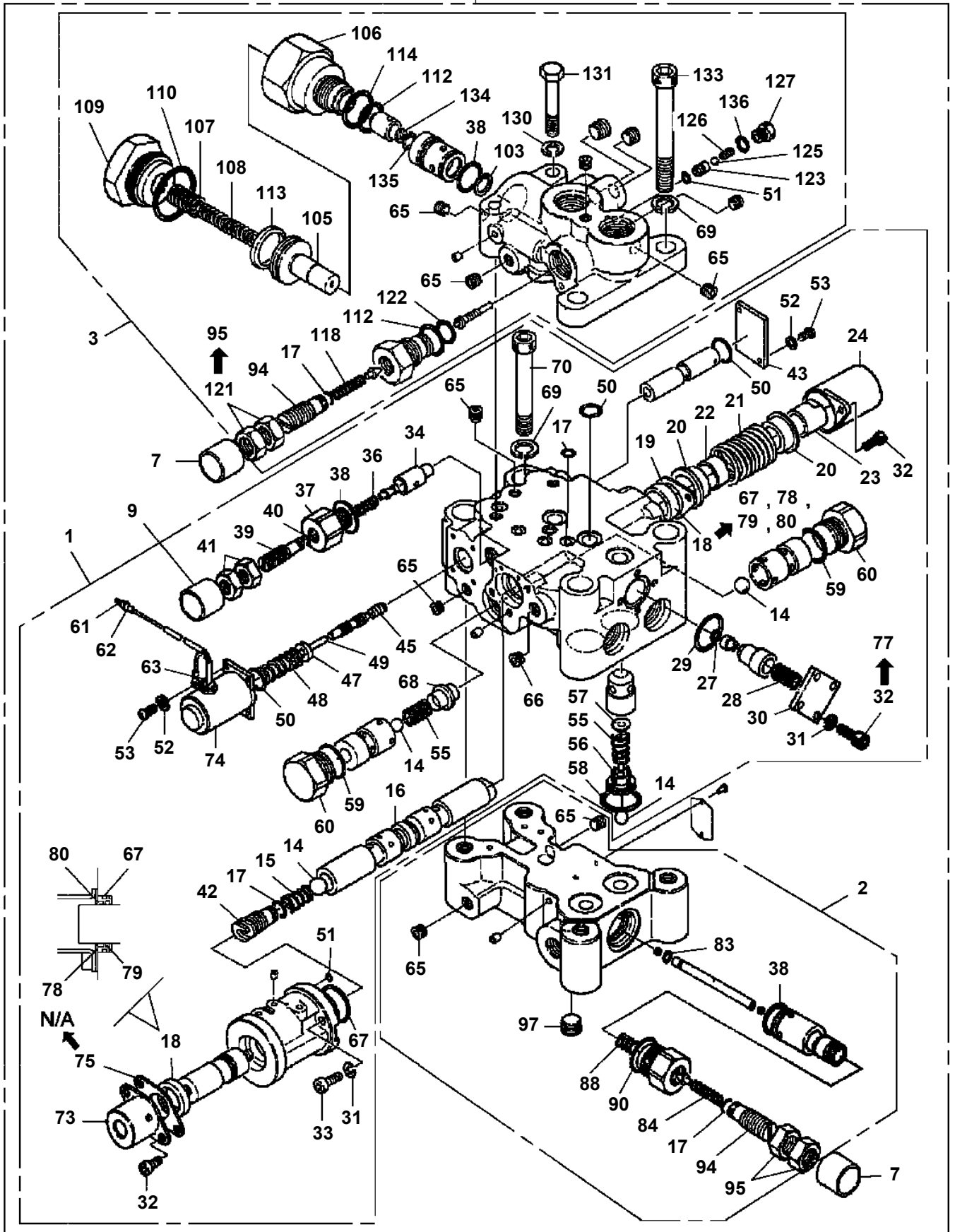


2 ELEVATING (1989.10~)



TL-250E-3-20102 4 BOOM + JIB, 2M2D, K203LA
PB1320639-01 VALVE, MANUAL CONTROL (SWING)

150



TL-250E-3-20102 4 BOOM + JIB, 2M2D, K203LA

Pos No.	Parts No	Parts Name	Qty	Unit	Technical Data	Serial No (Start)	Serial No (End)	Remarks	Pages
1	36031320101	CYLINDER	1						
2	80720105025	PIN,SPRING	1		5X25				
3	36030110201	PISTON	1						
4	91684010000	PACKING	2						
5	91431208502	RING,BACKUP	1						
6	91002805001	O-RING	1		1B P50A				
7	91411005001	RING,BACKUP	1		P50A				
8	91302210000	BEARING,PLAIN	2						
9	36031320200	ROD	1						
10	36030110400	COVER,ROD	1						
11	91002909500	O-RING	1		1B G95				
12	91251100800	RING,DAMPER	1						
13	91694008001	PACKING	1						
14	91410208001	RING,BACKUP	1						
15	91660008000	SEAL,DUST	1						
16	36030110601	STOPPER	1						
17	90101510040	BOLT	2		M10X40				
18	90302041001	WASHER,SPRING	6		10				
19	90101210022	BOLT	4		M10X22				
20	91411208502	RING,BACKUP	1						
31	80612110880	RING,RITAINING	1		AR88				
40	36033089900	PACKING SET	1		80X100				
50	36031320001	CYLINDER,JACK	1						

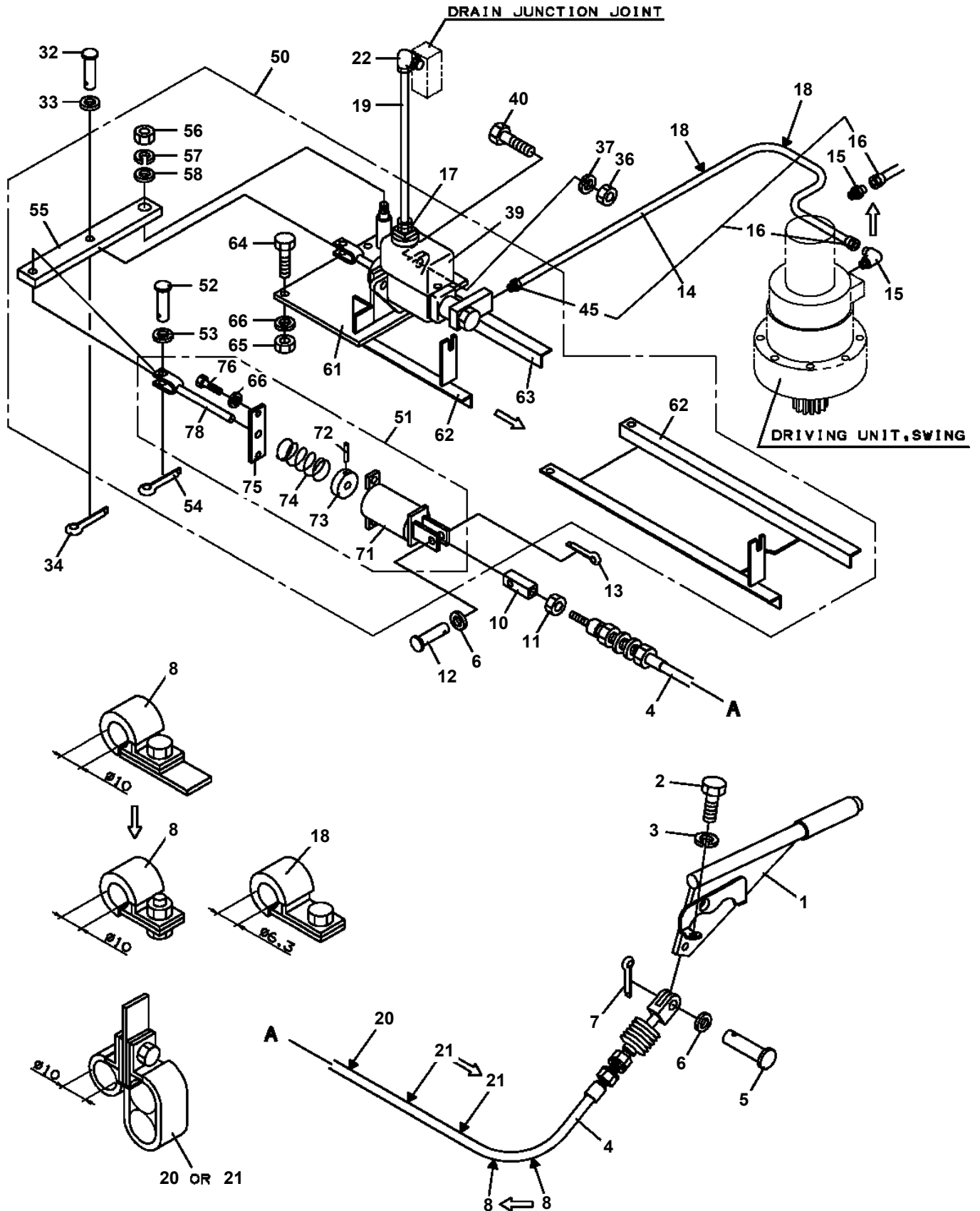
TL-250E-3-20102 4 BOOM + JIB, 2M2D, K203LA

Pos No.	Parts No	Parts Name	Qty	Unit	Technical Data	Serial No (Start)	Serial No (End)	Remarks
1	34920000150	VALVE,SOLENOID	1				335710	
	36641630000	VALVE,SOLENOID	1			335711		
2	37000508600	PLATE	1					
3	90131508014	BOLT,HEXAGON SOCKET	5		M8X14			
4	90302040801	WASHER,SPRING	5		8			
5	36060050000	CYLINDER,AIR	1					
6	11814507000	PIN	1					
7	80136320015	PIN,SPLIT	1		2X15			
8	90303070801	WASHER,PLAIN	3		8			
9	90102208080	BOLT	1		M8X80			
10	90203200800	NUT	1		M8			
11	82100002350	SWITCH,LIMIT	1					
12	37000538880	PLATE	1					
13	33710300200	SUPPORT	1					
14	37000532380	PLATE	1					
15	90101206016	BOLT	2		M6X16			
16	90302040601	WASHER,SPRING	2		6			
17	90303070601	WASHER,PLAIN	2		6			
18	33710408020	HARNESS	1					
19	37000901091	NUT,FLARE	1		M12			
20	37000901290	FITTING,ELBOW	2		L,R1/4-6.35		335710	
21	37000904810	NUT,FLARE	3		M12		335710	
	37000904810	NUT,FLARE	3		M12	335711		
22	56476172000	FITTING	1		S,R1/4-M12		335710	
	56476172000	FITTING	3		S,R1/4-M12	335711		
23	33710308040	PIPE ASSY	1				335710	
	33710308080	PIPE ASSY	1			335711		
24	33710308050	PIPE ASSY	1				335710	
	33710308090	PIPE ASSY	1			335711		
31	59451300010	VALVE,SOLENOID	1				335710	

TL-250E-3-20102 4 BOOM + JIB, 2M2D, K203LA

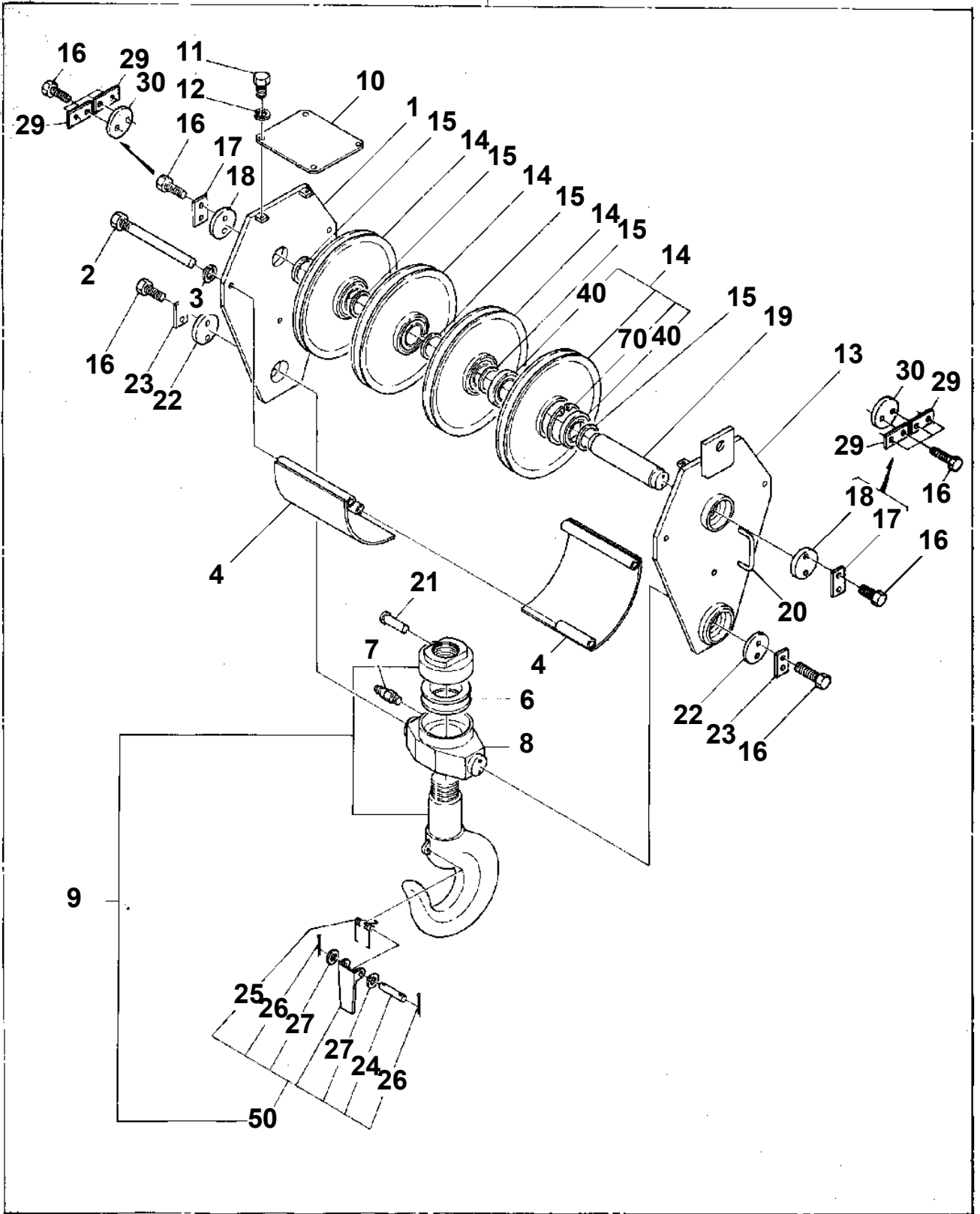
Pos No.	Parts No	Parts Name	Qty	Unit	Technical Data	Serial No (Start)	Serial No (End)	Remarks
1	33300270100	JOINT	1					
2	37002502390	HOSE	1					
3	36080700000	DRIVING UNIT,SWING	1					
4	90101718140	BOLT	8		M18X140			
5	90302041801	WASHER,SPRING	8		18			
6	37002301388	BEARING,SWING (ROBALLO)	1					
	37002301383	BEARING,SWING (KOYO)	1					
7	33300270200	SPACER	1					
8	33300270300	GEAR	1					
9	80316030020	PLUG	1		PT1/8			
10	33300020200	JOINT	1					
11	82100002008	CLAMP	1		WR12			
12	91801300170	CLIP	2		D=15-17			
13	90201200600	NUT	1		M6			
14	90101206016	BOLT	1		M6X16			
15	90302040601	WASHER,SPRING	1		6			
16	33300040010	WIRE	1					
17	37000536480	PLATE	1					
18	37001504340	BOLT	4		M12X30			
19	37000536450	PLATE	1		T=0.5			
20	37000536460	PLATE	1		T=1.0			

**TL-250E-3-20102 4 BOOM + JIB, 2M2D, K203LA
PD1100017-04 OPE.ASSY, SWING BRAKE**

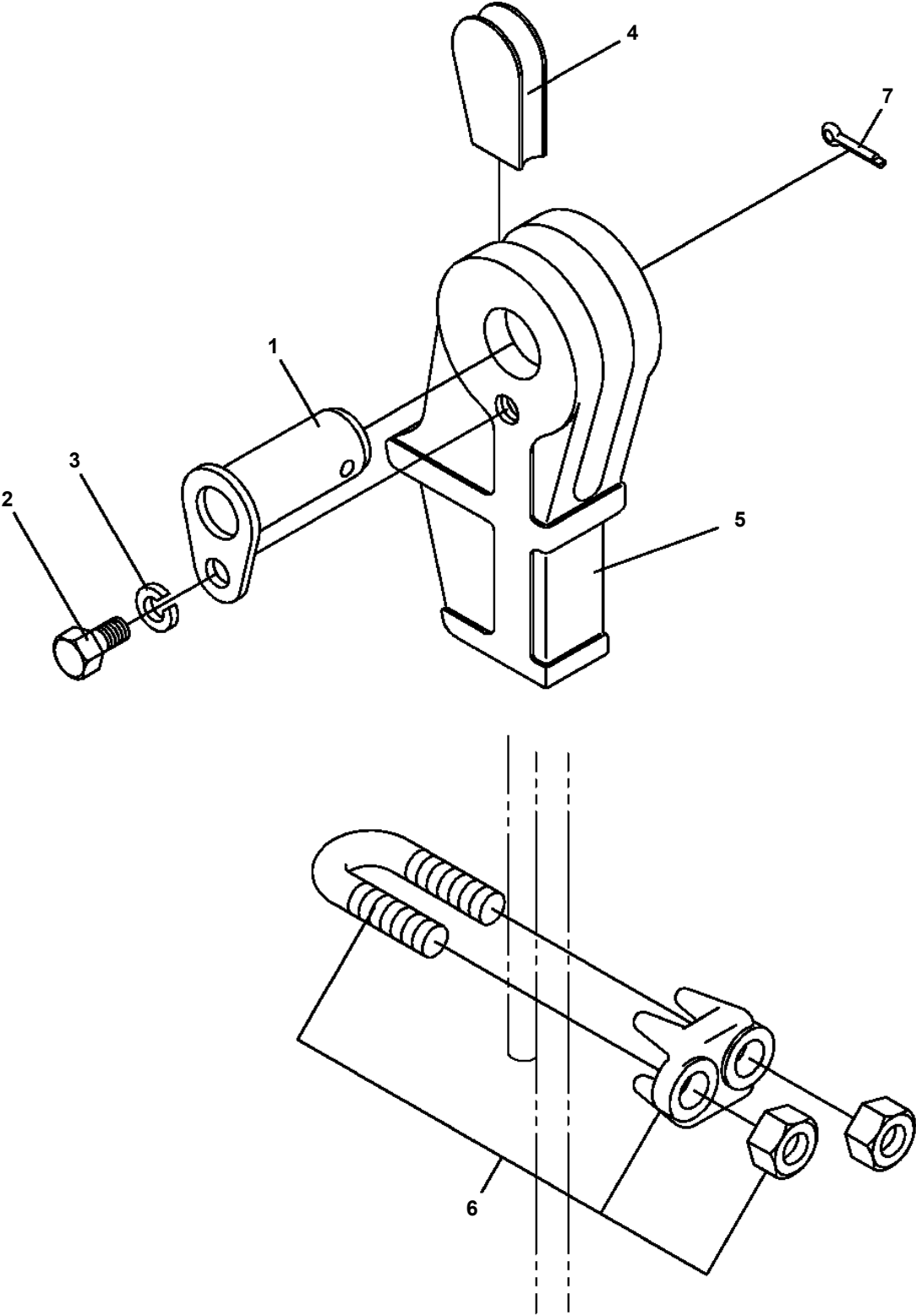


TL-250E-3-20102 4 BOOM + JIB, 2M2D, K203LA
PF1050500-01 HOOK (SHEAVE 4 PC'S)

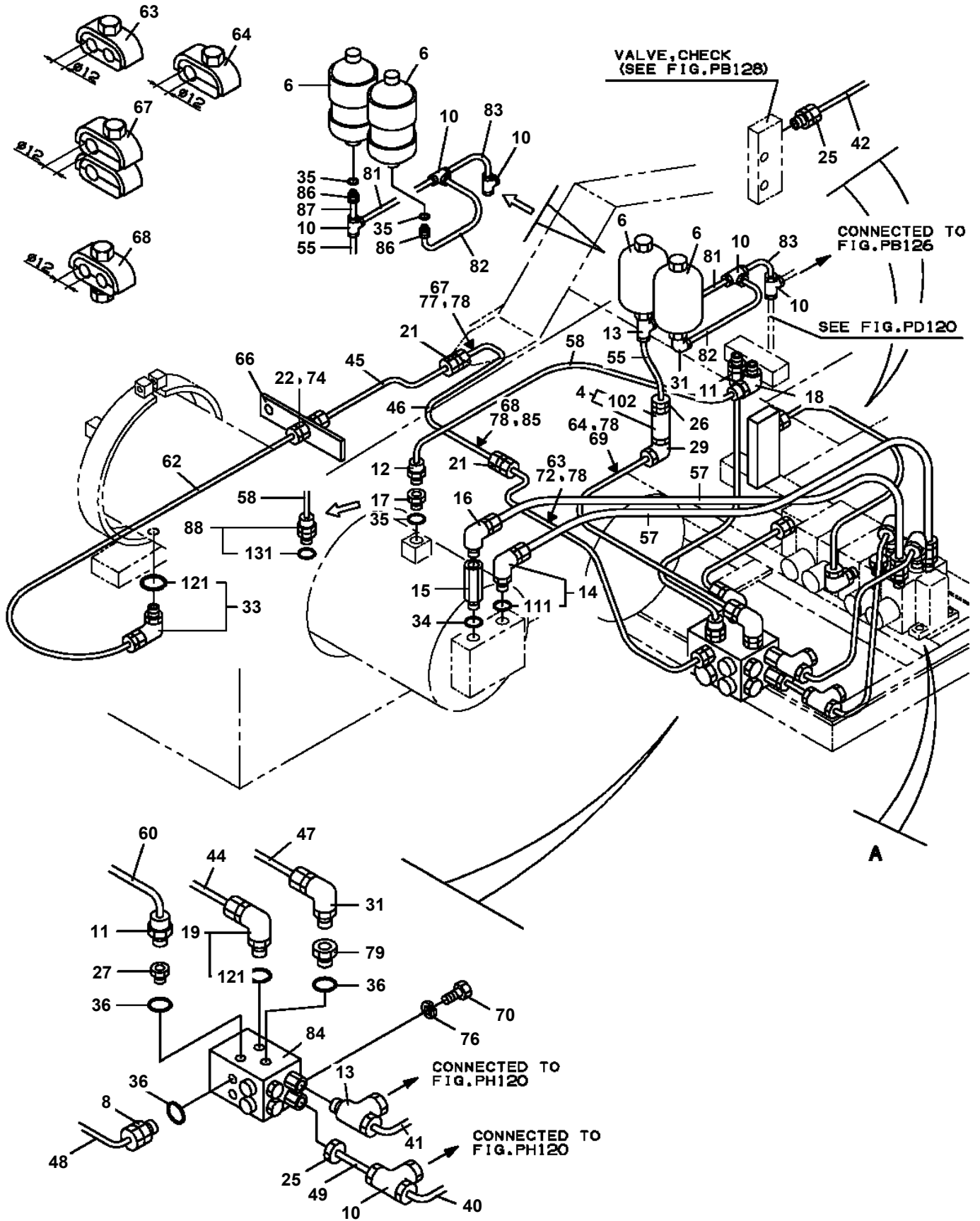
60



TL-250E-3-20102 4 BOOM + JIB, 2M2D, K203LA
PF1090006-01 SOCKET,ROPE



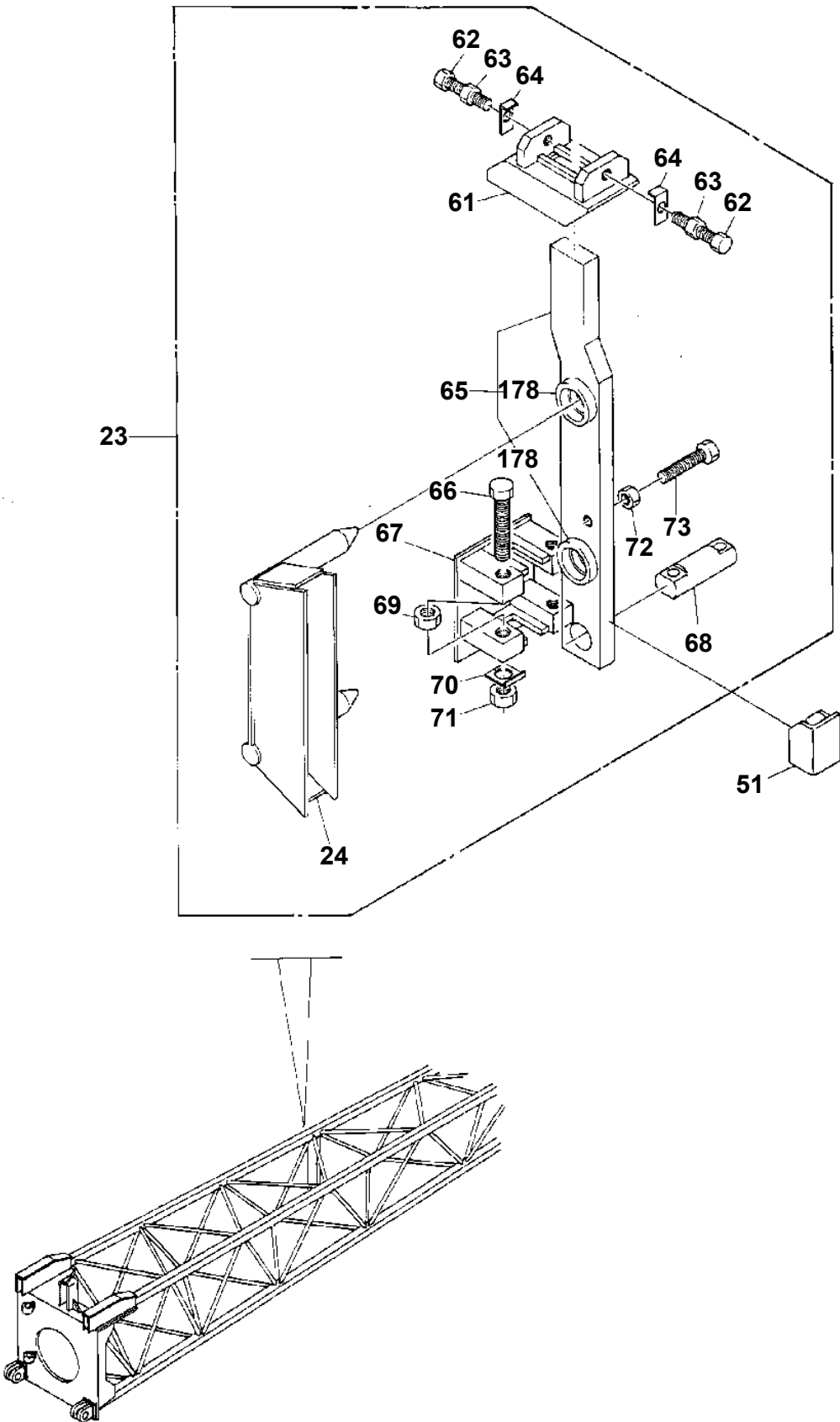
**TL-250E-3-20102 4 BOOM + JIB, 2M2D, K203LA
PF1200110-04 PIPING,WINCH (MAIN)**



TL-250E-3-20102 4 BOOM + JIB, 2M2D, K203LA

Pos No.	Parts No	Parts Name	Qty	Unit	Technical Data	Serial No (Start)	Serial No (End)	Rema
117	37000130470	PIN	2		16	335673		

TL-250E-3-20102 4 BOOM + JIB, 2M2D, K203LA
PG1040089-00 JIB



TL-250E-3-20102 4 BOOM + JIB, 2M2D, K203LA

Pos No.	Parts No	Parts Name	Qty	Unit	Technical Data	Serial No (Start)	Serial No (End)	Remarks	Pages
1	33341872000	ROLLER ASSY	1						
3	90101512022	BOLT	8		M12X22				
4	90303071201	WASHER,PLAIN	4		12				
5	90302041201	WASHER,SPRING	8		12				
7	33341873000	GUIDE	1						
8	90101210020	BOLT	2		M10X20				
9	90302041001	WASHER,SPRING	2		10				
10	90303071001	WASHER,PLAIN	2		10				
11	37000509660	SUPPORT	1						
12	33343653110	PLATE	1						
21	37000108740	PIN	1						
22	37001104290	ROLLER	4		D40X63				
23	33341872100	SUPPORT	1						
24	90303071401	WASHER,PLAIN	8		14				
25	37000123760	PIN	4						
26	90101208012	BOLT	4		M8X12				
27	90101208016	BOLT	4		M8X16				
28	33420031300	PLATE	2						
29	90302040801	WASHER,SPRING	8		8				
30	90303071601	WASHER,PLAIN	2		16				
31	80136032030	PIN,SPLIT	2		3.2X30				
50	36671418010	REEL,HOSE	1						000077

TL-250E-3-20102 4 BOOM + JIB, 2M2D, K203LA

Pos No.	Parts No	Parts Name	Qty	Unit	Technical Data	Serial No (Start)	Serial No (End)	Remarks	Pages
1	16311007000	SPACER	1		L=3.5				
2	37001002850	SHEAVE ASSY	1						
3	16411006000	SPACER	1						
4	34440130100	SUPPORT ASSY	1						
5	33220033800	SUPPORT	1						
6	33220033730	GUARD	1						
7	33440090011	ROLLER ASSY	1						
8	33440321000	GUIDE (WIRE)	1						
9	33440090110	GUARD	1						
10	33760360100	GUIDE	1						
22	80515006214	BEARING,BALL	2						
23	80612111250	RING,RITAINING	1		AR125				
31	33220033230	SUPPORT	1						
33	90201200800	NUT	2		M8				
34	90302040801	WASHER,SPRING	2		8				
35	34440130150	SUPPORT	1						
36	90101208030	BOLT	2		M8X30				
41	33440090021	SUPPORT	1						
42	37001000380	SHEAVE ASSY	2						
43	37000300350	SPACER	4		L=18.5				
44	37000102280	PIN	2						
45	90101210014	BOLT	2		M10X14				
46	90302041001	WASHER,SPRING	2		10				
47	37001101350	ROLLER ASSY	2						
48	37000301420	SPACER	4		L=30				
49	37000109120	PIN	2						
50	80136340028	PIN,SPLIT	4		4X28				
62	12111503000	SPACER	2						
63	80514006206	BEARING,BALL	4						
64	80602110620	RING,RITAINING	2		R62				
72	80516006202	BEARING,BALL	2						

CLICK HERE TO **DOWNLOAD** THE COMPLETE MANUAL

- Thank you very much for reading the preview of the manual.
- You can download the complete manual from: www.heydownloads.com by clicking the link below



- Please note: If there is no response to CLICKING the link, please download this PDF first and then click on it.

CLICK HERE TO **DOWNLOAD** THE COMPLETE MANUAL

TL-250E-3-20102 4 BOOM + JIB, 2M2D, K203LA

Pos No.	Parts No	Parts Name	Qty	Unit	Technical Data	Serial No (Start)	Serial No (End)	Remarks	Pages
1	33431753010	SUPPORT	1						
2	33431753100	SUPPORT	2				336000		
	33431757000	SUPPORT	2			336001			
3	90101208018	BOLT	8		M8X18				
4	90302040801	WASHER,SPRING	8		8				
5	82100002344	SWITCH,LIMIT	5						
6	90303070801	WASHER,PLAIN	8		8				

TL-250E-3-20102 4 BOOM + JIB, 2M2D, K203LA

Pos No.	Parts No	Parts Name	Qty	Unit	Technical Data	Serial No (Start)	Serial No (End)
1	36660950000	MOTOR,HYDRAULIC (SANWA)	1				
	36661840000	MOTOR,HYDRAULIC (SANWA)	1			335617	335616
2	36603180000	VALVE,COUNTERBALANCE (SANWA)	1				
100	36661680000	MOTOR,HYDRAULIC (SANWA)	1				

TL-250E-3-20102 4 BOOM + JIB, 2M2D, K203LA

Pos No.	Parts No	Parts Name	Qty	Unit	Technical Data	Serial No (Start)	Serial No (End)	Rema
1	36061375080	PISTON KIT (REPAIR KIT)	1					
2	36061375020	PLUG (END)	1					
3	36061375070	SPRING (VALVE)	1					
5	36061375050	CLAMP	1					
6	36061375090	PIN (STOP)	1					
7	36061375030	ROD,PUSH	1					
8	36061375010	PLATE (STOP)	1					
10	36061375040	NUT	1					
20	36061371000	CYLINDER,MASTER (MIYAKO)	1					

TL-250E-3-20102 4 BOOM + JIB, 2M2D, K203LA

Pos No.	Parts No	Parts Name	Qty	Unit	Technical Data	Serial No (Start)	Serial No (End)	Remarks	Pages
1	36060050000	CYLINDER,AIR	1						
2	36060055020	PISTON	1						
3	36060055030	ROD	1						
4	36060055040	SPRING (RETURN)	1						
5	36060055050	PACKING	1						
6	36060055060	CAP (CYLINDER)	1						
7	36060055070	CAP ASSY	1						
10	36060055100	FILTER	1						
11	36060055110	PLATE	2						
12	90303070601	WASHER,PLAIN	1		6				
13	90302040801	WASHER,SPRING	1		8				
14	90201200800	NUT	1		M8				
15	91001102400	O-RING	1		1A P24				
16	91001100500	O-RING	1		1A P5				
17	80602110320	RING,RITAINING	1		R32				
18	36060055120	PIN	1						
19	80136316012	PIN,SPLIT	1		1.6X12				
20	36060055130	WASHER	1						

TL-250E-3-20102 4 BOOM + JIB, 2M2D, K203LA

Pos No.	Parts No	Parts Name	Qty	Unit	Technical Data	Serial No (Start)	Serial No (End)	Remarks
3	36642015010	SPRING	1					
5	36642015020	PLUG	1		3/4			
6	91002802400	O-RING	1		1B P24		336432	
	91002802240	O-RING	1		1B P22.4	336433		
7	36642015030	VALVE,SOLENOID	1				335960	
	36642015050	VALVE,SOLENOID	1			335961	336432	
10	36648685020	ORIFICE	1		1.3	336433		
11	36643385010	O-RING	1			336433		
12	90131505050	BOLT,HEXAGON SOCKET	4		M5X50	336433		
13	36641115010	COVER	1				335960	
14	36640085015	RETAINER	2				336432	
15	36640085025	SPRING	2				336432	
17	91000501600	O-RING	2				335960	
	91000501700	O-RING	2			335961	336432	
18	91000501200	O-RING	4				335960	
	36642935040	RING	3			335961	336432	
19	90131504015	BOLT,HEXAGON SOCKET	4		M4X15		335960	
20	90131504010	BOLT,HEXAGON SOCKET	4		M4X10		335960	
22	36642015040	SOLENOID	1				335960	
	36642935021	SOLENOID	1			335961	336432	
23	90131505050	BOLT,HEXAGON SOCKET	4		M5X50		336432	
24	91000501800	O-RING	2		ARP568-018		335960	
32	36642935030	PLUG	1			335961	336432	
41	36642015060	VALVE ASSY,SOLENOID	1			336433		
50	36642010000	VALVE,SOLENOID	1					

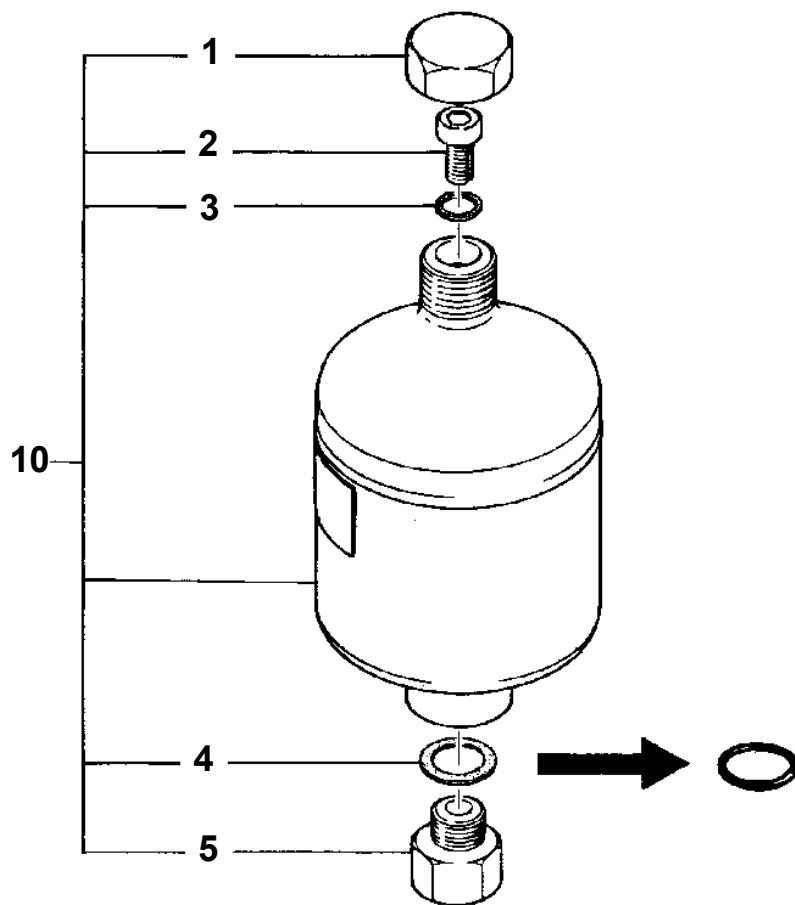
TL-250E-3-20102 4 BOOM + JIB, 2M2D, K203LA

Pos No.	Parts No	Parts Name	Qty	Unit	Technical Data	Serial No (Start)	Serial No (End)	Remarks	Pages
2	36621335040	SPRING	2						
4	80316030040	PLUG	2		PT1/4				
10	36622540000	VALVE,CHECK	1						

TL-250E-3-20102 4 BOOM + JIB, 2M2D, K203LA

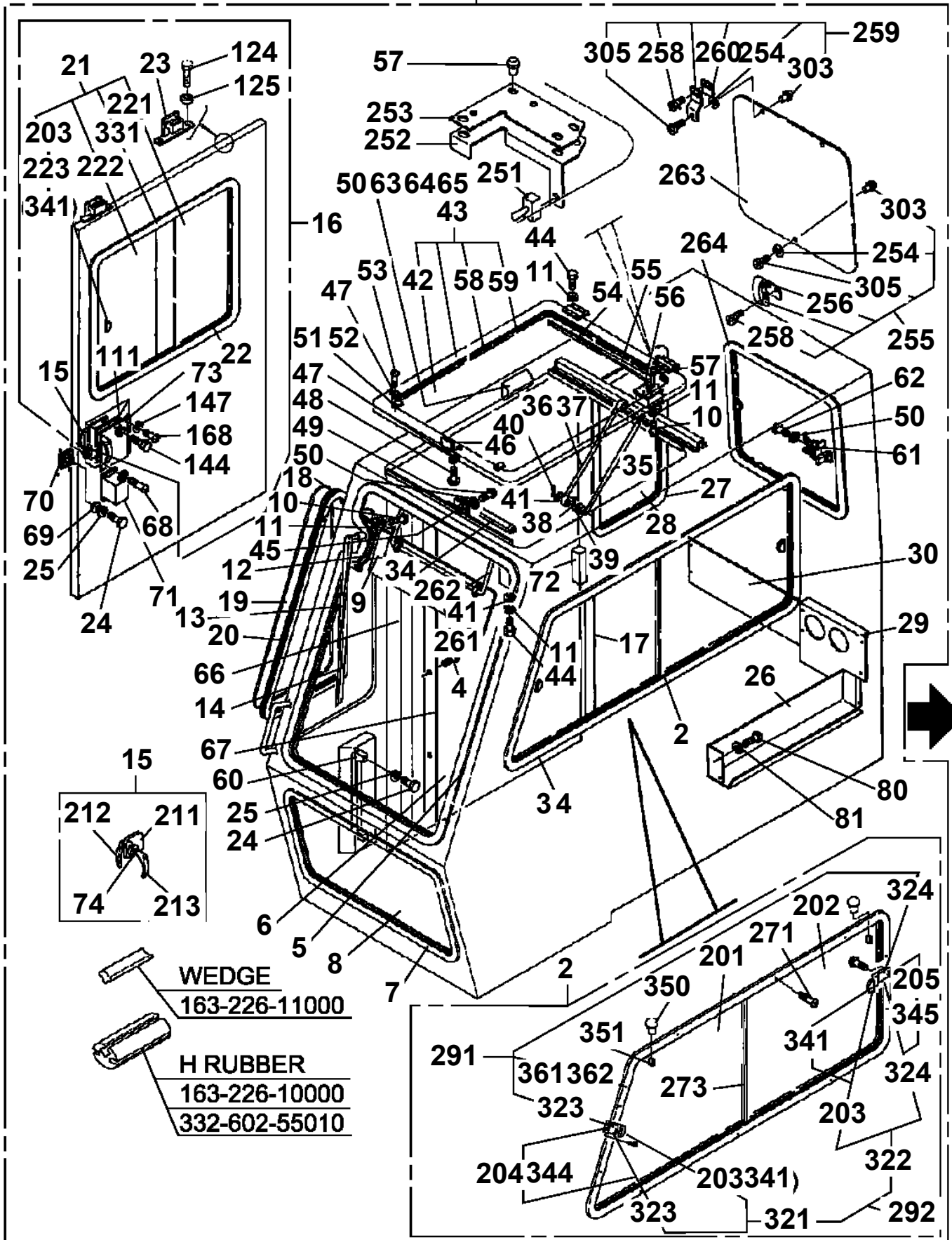
Pos No.	Parts No	Parts Name	Qty	Unit	Technical Data	Serial No (Start)	Serial No (End)	R
2	91002804400	O-RING	3		1B P44			
3	91411004400	RING,BACKUP	3		P44			
6	16265153060	SPRING	1					
9	91002801600	O-RING	1		1B P16			
11	91001002200	O-RING	1		S22		335699	
13	16265153130	SPRING-A	1				335699	
	16265153131	SPRING	1			335700		
14	16265153140	SPRING-B	1				335699	
	16265153141	SPRING	1			335700		
16	36601665060	O-RING	1		P30			
17	91410003000	RING,BACKUP <P30.	1					
18	91002804000	O-RING	1		1B P40			
20	91002801250	O-RING	1		1B P12.5			
21	91410001250	RING,BACKUP	1		P12.5			
22	91002802800	O-RING	1		1B P28		335699	
	91002802600	O-RING	1		1B P26	335700		
30	16265153000	CARTRIDGE, COUNTERBALANCE	1					

**TL-250E-3-20102 4 BOOM + JIB, 2M2D, K203LA
PI1340011-01 ACCUMULATOR**



TL-250E-3-20102 4 BOOM + JIB, 2M2D, K203LA
 PK1140055-06 CAB, OPERATOR

400



TL-250E-3-20102 4 BOOM + JIB, 2M2D, K203LA

Pos No.	Parts No	Parts Name	Qty	Unit	Technical Data	Serial No (Start)	Serial No (End)	Remarks	Pages
1	90101210045	BOLT	1		M10X45				
2	90302041001	WASHER,SPRING	45		10				
3	90303071001	WASHER,PLAIN	42		10				
4	37000508800	PLATE	1						
5	90101210020	BOLT	34		M10X20				
6	33270640100	SUPPORT	1						
7	90101212020	BOLT	2		M12X20				
8	90302041201	WASHER,SPRING	2		12				
9	37000504020	PLATE	2						
10	33270020530	PLATE	3						
11	90201201000	NUT	7		M10				
12	90101210030	BOLT	10		M10X30				
13	33270640200	SUPPORT	1						
14	37000501090	PLATE	2						
15	90101212018	BOLT	2		M12X18				
16	33270640300	SUPPORT	1						
17	33270640400	COVER	1						
18	33270640500	COVER	1						
19	33270640600	COVER	1						
20	33270640700	COVER	1						
21	33270640800	COVER	1						
22	33270640900	COVER	1						
23	33270641000	COVER	1						
24	33270641100	COVER	1						
25	33270491400	COVER	1						
26	33270641300	COVER	1						
27	33270641400	COVER	1						
28	33270641500	SUPPORT	1						
29	33270641600	SUPPORT	1						
30	33270641700	SUPPORT	1						
31	33270641800	SUPPORT	1						
32	33270641900	SUPPORT	1						
33	33270642000	SUPPORT	1						
34	33270642100	SUPPORT	2						
35	33270040060	SHIM	7						
36	37000505920	PLATE	7						
37	33270642200	SUPPORT	1						
38	33270630010	SHIM	6						
39	33270780200	COVER	1			336082			
45	90101212020	BOLT	10		M12X20				
46	90302041201	WASHER,SPRING	12		12				
47	33270641900	SUPPORT	1						
48	33270642000	SUPPORT	1						
51	33270648010	FENDER ASSY	1						
52	33270648020	FENDER ASSY	1						
53	33270648030	FENDER ASSY	1						
54	33270648040	FENDER ASSY	1						
55	33270648050	FENDER ASSY	1						
56	33270648060	SUPPORT ASSY	1						
57	33270788010	COVER ASSY	1			336082			
61	33270641101	COVER	1			336082			
63	90302041001	WASHER,SPRING	4		10	336082			
64	90303071001	WASHER,PLAIN	4		10	336082			
65	90101210020	BOLT	4		M10X20	336082			

TL-250E-3-20102 4 BOOM + JIB, 2M2D, K203LA

Pos No.	Parts No	Parts Name	Qty	Unit	Technical Data	Serial No (Start)	Serial No (End)	Remarks	Pages
1	33260542000	CAB,OPERATOR	1						000127
2	33260351500	GUIDE	1						
3	90101512070	BOLT	3		M12X70				
4	90101512035	BOLT	11		M12X35				
5	90302041201	WASHER,SPRING	14		12				
6	90303071201	WASHER,PLAIN	14		12				
7	90101208030	BOLT	5		M8X30				
8	90302040801	WASHER,SPRING	5		8				
9	90303070801	WASHER,PLAIN	5		8				
10	90303071001	WASHER,PLAIN	5		10				
11	37000506530	PLATE	5		T=4.5				
12	37000505640	PLATE	5						
13	37000506550	PLATE	5		T=1.6				
14	33260351300	CUSHION	1						
21	37001501780	BOLT	1		M14X95				
22	34260070800	CUSHION	2						
23	90101210035	BOLT	2		M10X35				
24	90302041001	WASHER,SPRING	2		10				
25	34260070700	SUPPORT	1						
26	37000519660	PLATE	1						
27	90236201400	NUT,CASTLE	1		M14				
28	80136332028	PIN,SPLIT	1		3.2X28				
29	34260070900	SUPPORT	1						
30	33260352011	SUPPORT	1						

TL-250E-3-20102 4 BOOM + JIB, 2M2D, K203LA

Pos No.	Parts No	Parts Name	Qty	Unit	Technical Data	Serial No (Start)	Serial No (End)	Remarks	Pages
3	37000101050	PIN	1						
4	80613110080	RING,RITAINING	1		8				
10	33320972000	ROD ASSY	1						
19	90303071001	WASHER,PLAIN	1		10				
34	33320871400	LEVER ASSY	1						
40	53620233000	SPRING	1						
42	82100001035	GROMMET	1						
71	90201201400	NUT	1		M14				
72	37004201480	END	1						
74	33320972010	ROD	1						
121	82100000582	CONNECTOR	1						
122	82100001035	GROMMET	1						
123	33320871500	CABLE	1						
124	33320871210	LEVER	1						
125	33320001440	NUT	1				335602		
	32320110250	NUT (BLACK)	1			335603			
126	33320001081	LEVER	1						
127	90203201200	NUT	1		M12		335602		
	37001601520	NUT	1		M12	335603			
128	33320001120	KNOB (BLACK)	1						
129	82100001033	SWITCH,PUSH	1						
130	90710006060	SCREW,SET	1		M6X6				
131	82100000578	TERMINAL	2						
132	33320001450	SLEEVE	1						
146	80804022010	BEARING,PLAIN	2						

TL-250E-3-20102 4 BOOM + JIB, 2M2D, K203LA

Pos No.	Parts No	Parts Name	Qty	Unit	Technical Data	Serial No (Start)	Serial No (End)
1	80192485014	SCREW,MACHINE (WITH WASHER)	10		M5X14		
2	33431751010	CASE	1				336081
	33431751011	CASE	1			336082	
3	33431751020	COVER	1				
4	90101208014	BOLT	5		M8X14		
5	90302040801	WASHER,SPRING	5		8		
6	33431751030	TERMINAL ASSY	1				
7	33431751040	RELAY ASSY	1				
8	80172303010	SCREW,MACHINE	4		M3X10		
9	90302040301	WASHER,SPRING	4		3		
10	90303070301	WASHER,PLAIN	4		3		
11	82100001417	RELAY	1				336139
	82161161125	RELAY	1			336140	
12	90302040601	WASHER,SPRING	6		6		
13	80182306012	SCREW,MACHINE	5		M6X12		
14	82100001882	LIGHTER,CIGARETTE	1				
15	82400000180	TRAY,ASH	1				
16	33430561200	BUZZER ASSY	1				
17	80176304014	SCREW,MACHINE	2		M4X14		
18	82100000001	HORN	1				
19	82400000201	GROMMET	1		KG-016		
20	34350171640	BUZZER ASSY	1				
21	33432131010	BOX,FUSE	1				
22	80172305020	SCREW,MACHINE	2		M5X20		
23	90302040501	WASHER,SPRING	2		5		
24	90303100501	WASHER,PLAIN	2		5		
25	33431751050	RELAY ASSY (HORN)	1				
26	90190000008	BOLT,STUD	1		M6X20		
27	90201200600	NUT	1		M6		
28	33431751070	SUPPORT	1				
29	90201200300	NUT	4		M3		
50	33431758040	TERMINAL ASSY	1				
67	82100000745	FUSE	4		10A,6.5X30		
68	82100001348	FUSE	4		15A,6.5X30		
71	82100000564	BUZZER	1				
81	82100001368	BUZZER	1				
91	82100000734	RELAY	1				
102	34350003400	RELAY	1				

TL-250E-3-20102 4 BOOM + JIB, 2M2D, K203LA

Pos No.	Parts No	Parts Name	Qty	Unit	Technical Data	Serial No (Start)	Serial
1	33390080060	PLATE,NAME (TL-250E)	2				
3	33394280020	PLATE,NAME (25000KG)	2				
4	37002212190	PLATE,NAME (3000KG)	1			336013	
5	90928030101	SCREW,TAPPING	7		M3X10		
6	33394642040	PLATE,NAME	1				
7	37002216850	PLATE,CAUTION (SWING,CAUTION)	2			336013	
8	37002216830	PLATE,CAUTION (DO NOT CLIMB BOOM)	2			336013	
9	37002216840	PLATE,CAUTION (ELECTROCUTION HAZARD)	3			336013	
10	37002216860	PLATE,CAUTION (BOOM,DANGER)	1			336013	
11	33394642020	PLATE,NAME (FUSE)	1				
12	33394642010	PLATE,NAME (OIL)	1				
14	33394280040	PLATE,CAUTION	1				
15	37002204940	PLATE,NAME (30 TILT)	2				
16	37002204950	PLATE,NAME (5 TILT)	2				
17	37002201770	PLATE,NAME (GREASE)	1				
18	33394642030	PLATE,CAUTION (ACCUMULATOR)	1				
19	33394642090	PLATE	1				
20	33394642060	PLATE,NAME (SPECIFICATIONS)	1				
21	33394642050	PLATE,NAME	1				
22	33394642070	PLATE,NAME	1				
23	33394642080	PLATE,NAME	1				
24	33393791030	PLATE,CAUTION (WINCH SPEED)	1				
25	33394641010	PLATE,NAME (WASHING PROHIBITED)	1				

TL-250E-3-20102 4 BOOM + JIB, 2M2D, K203LA

Pos No.	Parts No	Parts Name	Qty	Unit	Technical Data	Serial No (Start)	Serial No (End)
1	33321191100	PLATE,NAME (ISO,ENG. & FRANCHI)	1				

TL-250E-3-20102 4 BOOM + JIB, 2M2D, K203LA

Pos No.	Parts No	Parts Name	Qty	Unit	Technical Data	Serial No (Start)	Serial No (End)
1	34393572100	PLATE,NAME (TADANO/WHITE+WHITE)	1				

TL-250E-3-20102 4 BOOM + JIB, 2M2D, K203LA

Pos No.	Parts No	Parts Name	Qty	Unit	Technical Data	Serial No (Start)	Serial No (End)	Remarks
3	89630101000	HOSE,VINYL	1		4X6,1M			
4	89630201000	HOSE,VINYL	1		6X8,1M			
6	91900000004	HELMET	1					
20	99990040064	CLOTHES,WORKING LLL	1					
	99990040061	CLOTHES,WORKING M	1					
	99990040063	CLOTHES,WORKING LL	1					
	99990040062	CLOTHES,WORKING L	1					

TL-250E-3-20102 4 BOOM + JIB, 2M2D, K203LA

Pos No.	Parts No	Parts Name	Qty	Unit	Technical Data	Serial No (Start)	Serial No (End)	Remarks	Pages
1	33870130010	SUPPORT	1						
2	33870731000	SUPPORT	2						
3	56360811000	SUPPORT	2						
4	90101212025	BOLT	8		M12X25				
5	90302041201	WASHER,SPRING	8		12				
6	33870732000	BAR	2						
20	33870138010	SUPPORT ASSY	1						

TL-250E-3-20102 4 BOOM + JIB, 2M2D, K203LA

Pos No.	Parts No	Parts Name	Qty	Unit	Technical Data	Serial No (Start)	Serial No (End)	Remarks	Pages
1	33820021000	SUPPORT	1						
2	90101214050	BOLT	6		M14X50				
3	90201201400	NUT	6		M14				
4	90302041401	WASHER,SPRING	8		14				
5	36652070000	PUMP,HYDRAULIC	1						00001
6	90203201400	NUT	4		M14				
7	56361610000	SUPPORT	1						
8	33820022000	SUPPORT	1						
11	90303101401	WASHER,PLAIN	2		14				

TL-250E-3-20102 4 BOOM + JIB, 2M2D, K203LA

Pos No.	Parts No	Parts Name	Qty	Unit	Technical Data	Serial No (Start)	Serial No (End)	Remarks	Page
1	33470090030	SUPPORT	1						
2	33470090110	SUPPORT	1						
3	33470090100	BOSS	2						
4	33470090500	PLATE	2						
21	33472001100	SINGLE TOP	1						
22	37000108990	PIN	1						
23	37000200540	PIN,SNAP	1		D=25				
24	37001002850	SHEAVE ASSY	1						
25	16311007000	SPACER	2		L=3.5				
26	90101212016	BOLT	1		M12X16				
27	90302041201	WASHER,SPRING	1		12				
28	37000144630	PIN	1						
29	37000107320	PIN	1						
30	80136350045	PIN,SPLIT	1		5X45				
31	37000200990	PIN	1						
32	37000200460	PIN,SNAP	1						
33	82456101000	NIPPLE,GREASE	1		A-PT1/8				
41	37000300590	SPACER	1		L=30				
42	82100002505	CONNECTOR (CN-6)	2						
43	90928040061	SCREW,TAPPING	3		M4X6				
44	82100000207	CLAMP	3						
45	82100002506	CONNECTOR	2						
46	14128208000	RING	1						
49	33472002100	SUPPORT	1						
50	33370060100	SUPPORT	1						
62	80515006214	BEARING,BALL	2						
63	80612111250	RING,RITAINING	1		AR125				
100	33475058010	SINGLE TOP ASSY	1						

TL-250E-3-20102 4 BOOM + JIB, 2M2D, K203LA

Pos No.	Parts No	Parts Name	Qty	Unit	Technical Data	Serial No (Start)	Serial No (End)	Rema
1	82100001683	SWITCH,TOGGLE	1					
2	82100002261	CONNECTOR (2POLES,MALE)	1					
3	82100002256	TERMINAL	2					

CLICK HERE TO **DOWNLOAD** THE COMPLETE MANUAL

- Thank you very much for reading the preview of the manual.
- You can download the complete manual from: www.heydownloads.com by clicking the link below



- Please note: If there is no response to CLICKING the link, please download this PDF first and then click on it.

CLICK HERE TO **DOWNLOAD** THE COMPLETE MANUAL