

TG-600M-4-20101 5 BOOM + JIB,W-KA606U

PB1000271-01 HYDRAULIC PRESSURE GENERATING SYSTEM

PC1000208-01 OUTRIGGER SYSTEM

PD1000255-00 SWING SYSTEM

PE1000254-00 ELEVATING SYSTEM

PF1000237-01 WINCH SYSTEM

PG1000245-00 TELESCOPING SYSTEM

PH1000232-00 SAFETY DEVICES

PI1000283-02 HYDRAULIC DEVICES

PK1000263-01 FRAME

PL1000261-01 CONTROL DEVICES

PN1000214-00 ELECTRIC EQUIPMENT

PO1000114-01 INDICATION PLATES

PW1000097-02 ACCESSORIES & TOOLS

PX1000271-00 MOUNTING PARTS

PY1000235-01 OPTIONS

ASSEMBLY

CLICK HERE TO **DOWNLOAD** THE COMPLETE MANUAL

- Thank you very much for reading the preview of the manual.
- You can download the complete manual from: www.heydownloads.com by clicking the link below



- Please note: If there is no response to CLICKING the link, please download this PDF first and then click on it.

CLICK HERE TO **DOWNLOAD** THE COMPLETE MANUAL

TG-600M-4-20101 5 BOOM + JIB,W-KA606U

Pos No.	Parts No	Parts Name	Qty	Unit	Technical Data	Serial No (Start)	Serial N
1	(*****)	WINCH (18)	1				
2	(*****)	WINCH (20)	1				
3	36310160000	CLUTCH,WINCH	2				
5	(*****)	COVER,WINCH	1				
6	36092230000	HOOK (SHEAVE 6 PC'S)	1				
8	36090760000	HOOK (SHEAVE 2 PC'S)	1				
9	36092240000	HOOK (SHEAVE 1 PC,15TON)	1				
10	36091440000	HOOK (AUXILIARY)	1				
11	37001800670	ROPE,WIRE	1				
12	37001800710	ROPE,WIRE	1				
14	(*****)	SOCKET,ROPE (SEIZING)	1				
15	(*****)	SOCKET,ROPE (SEIZING)	1				
16	(*****)	OPE.ASSY,WINCH BRAKE	1				
17	33310851100	BAND,WINCH BRAKE	1				
18	36070471000	BAND,WINCH BRAKE	1				
19	(*****)	OPE.ASSY,DRUM LOCK (OPTION)	1				
20	(*****)	OPE.ASSY,CLUTCH	1				
21	(*****)	PIPING,WINCH	1				
22	(*****)	PIPING,WINCH BRAKE	1				
23	(*****)	DETECTOR,DRUM ROTATION (MAIN & AUX.)	1				
25	36631580000	VALVE,CLUTCH	1				
26	36672739510	JOINT,WINCH ROTARY	2				
27	(*****)	MOUNT,WINCH	1				
28	(*****)	MOUNT,WINCH	1				
29	36660350000	MOTOR,HYDRAULIC	2				
30	36060220000	CYLINDER,MASTER	2				
31	36060450000	CYLINDER,BRAKE	2				
32	36060370001	CYLINDER,BRAKE	2				
33	36601550000	VALVE,RELIEF	1				
34	36640560000	VALVE,SOLENOID	2				
35	36621330000	VALVE,CHECK	1				
36	36621370000	VALVE,CHECK	1				
37	36620010000	VALVE,CHECK	1				
38	36600170000	VALVE,COUNTERBALANCE	2				
39	36670000005	ACCUMULATOR	1				
40	36680830000	GAUGE,PRESSURE	1				

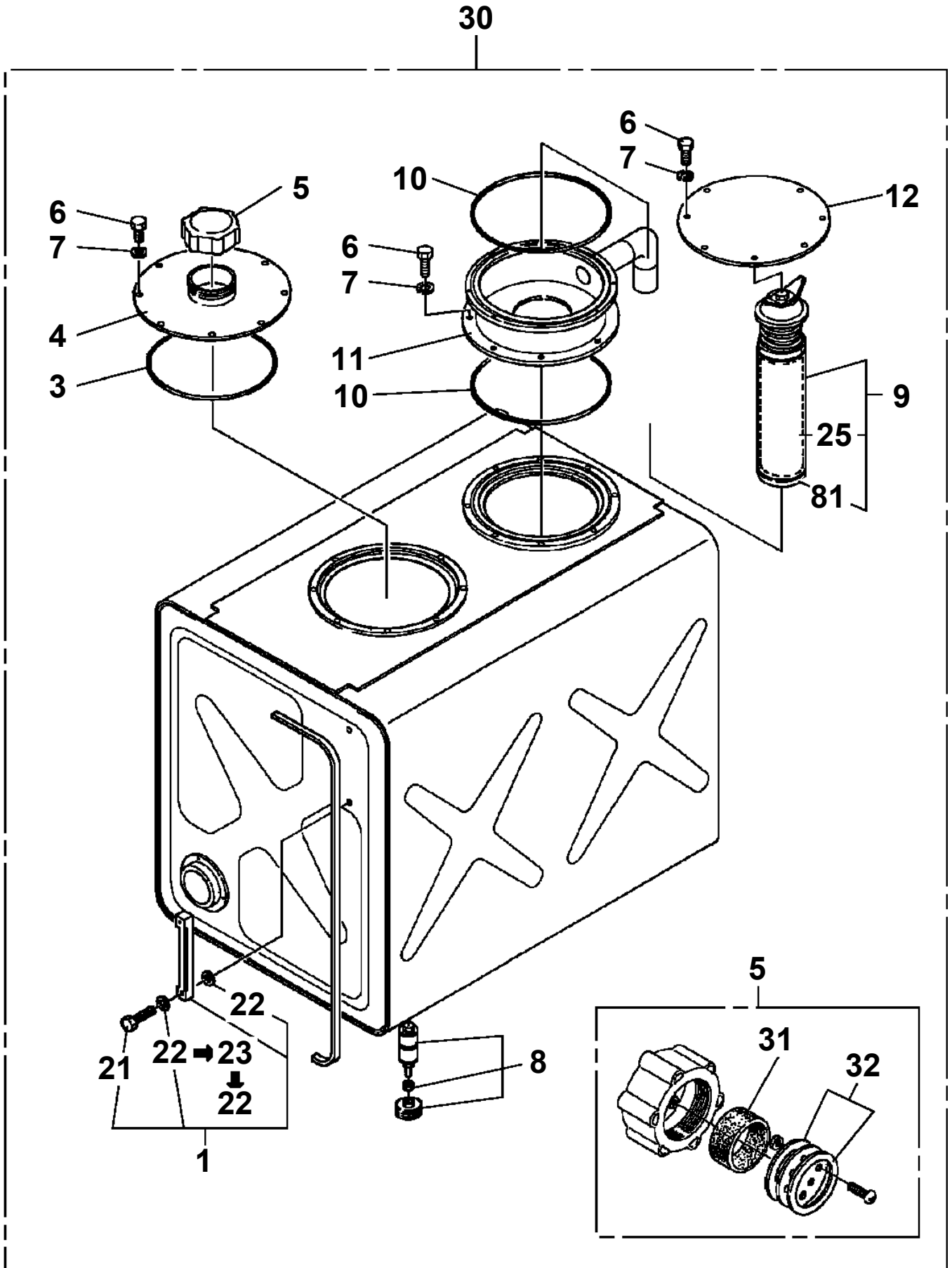
TG-600M-4-20101 5 BOOM + JIB,W-KA606U

Pos No.	Parts No	Parts Name	Qty	Unit	Technical Data	Serial No (Start)	Serial No (End)
1	(*****)	OPE.ASSY,CONT.VALVE (TDN)	1				
2	(*****)	OPE.ASSY,CONT.VALVE (OPTION)	1				
3	(*****)	OPE.ASSY,ACCELERATOR	1				
4	(*****)	OPERATION SYSTEM, ACCELERATOR	1				
5	3606000001	CYLINDER,MASTER	1				
6	3610000000	RESERVOIR,OIL	1				
7	3606001000	CYLINDER,CONTROL	1				

TG-600M-4-20101 5 BOOM + JIB,W-KA606U

Pos No.	Parts No	Parts Name	Qty	Unit	Technical Data	Serial No (Start)	Serial No (End)	R
1	(*****)	SINGLE TOP	1					
3	42470050000	ROPE (SAFETY,1.5M,WITH HOOK)	1					
4	(*****)	HEATER SYSTEM	1					
5	36290310000	HEATER (KEROSENE)	1					
6	(*****)	SWITCH INSTALLATION (FAN)	1					
7	(*****)	COOLER,OIL (MOUNT)	1					
8	36690081000	COOLER,OIL	1				465148	
	36690121000	COOLER,OIL	1			465149		
9	(*****)	RADIO INSTALLATION	1				465171	
	(*****)	RADIO INSTALLATION	1			465172		
10	(*****)	FAN INSTALLATION	1					

TG-600M-4-20101 5 BOOM + JIB,W-KA606U
PB1130003-04 TANK,OIL



TG-600M-4-20101 5 BOOM + JIB,W-KA606U

Pos No.	Parts No	Parts Name	Qty	Unit	Technical Data	Serial No (Start)	Serial No (End)	Remark
67	33341585100	JOINT ASSY	1					
68	89640401000	HOSE	1					
69	90301011201	WASHER	1		12			
70	33340080180	SUPPORT ASSY	1					
71	36620400000	VALVE,CHECK	1					
72	37000701230	CLAMP ASSY	2					
73	89640403000	HOSE	1					
74	56357011001	CLAMP ASSY	1					
75	37000702400	CLAMP ASSY	1					
76	80302010240	FITTING	1					
77	80320030140	FITTING,ELBOW	1		KLE18-040N			
78	37000702240	CLAMP ASSY	1					
80	37002414140	HOSE	1		L=825			
81	37000700120	CLAMP ASSY	1					
82	37002405290	HOSE	1		L=850			
85	37000708160	CLAMP ASSY	1					
90	37002400250	HOSE	1		L=500			
91	80400160131	JOINT	1					
92	91002801800	O-RING	1		1B P18			
93	89640201000	HOSE	1		660-NFK,1M			
94	37000701990	CLAMP ASSY	1		D=10			
95	80400160109	FITTING,ELBOW	2		20369-U3/8X1/4			
96	80303030321	FITTING,ELBOW	1		KLN28-080N			
101	91000522200	O-RING	2		AS568-222-1B			
111	91002803800	O-RING	3		1B P38			
121	33340080180	SUPPORT ASSY	1					

TG-600M-4-20101 5 BOOM + JIB,W-KA606U

Pos No.	Parts No	Parts Name	Qty	Unit	Technical Data	Serial No (Start)	Serial No (End)	F
108	36632465480	CAP	1					
126	36630805610	SCREW (ADJUSTING)	4					
127	36630805620	SPRING	4					
128	36630805630	SPRING	2					
129	36630805640	NUT	4		M10			
130	36630805650	CAP	4					
132	91000501200	O-RING	4					
133	91000502500	O-RING	4					
134	91000501600	O-RING	4					
136	36630805660	RING,BACKUP	4					
145	36630805710	SCREW (ADJUSTING)	2					
146	36630805720	RING,SPRING	2					
147	36630805730	NUT	2					
148	80730030008	PIN	4		3X8			
149	36630805740	SPRING	2					
150	36630805750	SPRING	2					
151	91001203500	O-RING	12		1A G35			
152	91001102201	O-RING	4		1A P22A			
153	91002801600	O-RING	2		1B P16			
154	91000501400	O-RING	2		014 1115-70			
155	91411002201	RING,BACKUP	4					
156	36630805760	RING,BACKUP	2					
157	36600065080	CAP	2					
159	90303070501	WASHER,PLAIN	6		5			
186	91001203000	O-RING	4		1A G30			
189	91001206500	O-RING	1		1A G65			
201	36630805010	VALVE,CONTROL (ELEVATING)	1					
202	36632095030	VALVE,CONTROL (TELESCOPING)	1					
203	36632095040	VALVE,CONTROL (WINCH)	1					
204	36632095050	VALVE,CONTROL (WINCH)	1					
205	36630805050	BLOCK,FLOW CONTROL	1					
206	36630015240	VALVE,HYDRAULIC	1					
207	36630015310	VALVE,BALANCING	2					
208	36631175020	BLOCK (CHECK)	1					
255	36630015530	SPRING	1					
283	80602110420	RING,RITAINING	4		R42			
290	36630805430	VALVE,RELIEF	2					
291	36631555040	VALVE,RELIEF	2					
293	36632095020	COVER	1					
294	36630185240	CONNECTOR	1					
296	36630185260	SPRING	1					
297	36630185270	SPRING	1					
298	36631555050	SPRING	2					
300	36632090000	VALVE,MANUAL CONTROL	1					
311	36646805060	COVER ASSY	1					

TG-600M-4-20101 5 BOOM + JIB,W-KA606U

Pos No.	Parts No	Parts Name	Qty	Unit	Technical Data	Serial No (Start)	Serial No (End)	Remarks	P
1	36040401001	CYLINDER	1						
2	90272102000	NUT	1		M20				
3	91100106500	SEAL,RING	1						
4	36040000030	PISTON	1						
5	36040900010	ROD	1						
6	36040170041	COVER,ROD	1						
7	91002805800	O-RING	1		1B P58				
8	91694004500	PACKING	1						
9	91410204502	RING,BACKUP	1						
11	91660004501	SEAL,DUST	1						
20	36040900000	CYLINDER,EXTENSION	1						
30	36040499900	PACKING SET	1		45X65				

TG-600M-4-20101 5 BOOM + JIB,W-KA606U

Pos No.	Parts No	Parts Name	Qty	Unit	Technical Data	Serial No (Start)	Serial No (End)	Remarks
2	33730210100	SUPPORT	1					
3	33730020100	FLOAT ASSY	1					
4	90101516070	BOLT	4		M16X70			
5	90302041601	WASHER,SPRING	4		16			
6	90101510055	BOLT	4		M10X55			
7	90302041001	WASHER,SPRING	4		10			
8	36622040000	VALVE,CHECK	1					
9	90101514040	BOLT	6		M14X40			
10	90201401400	NUT	6		M14			
11	90302041401	WASHER,SPRING	6		14			
12	82100000592	TERMINAL (M40.3 TO 1.25)	1					
13	90201200400	NUT	1		M4			
14	90302040401	WASHER,SPRING	1		4			
15	82100000191	TERMINAL	2					
16	82100000183	INSULATOR	2					
17	82100000192	TERMINAL	1					
18	82100000182	INSULATOR	1					
19	36031590000	FRONT JACK,HYDRAULIC	1					
31	90191410045	BOLT	6		M10X45			
32	90302041001	WASHER,SPRING	6		10			
33	33730020110	COVER	2					
34	33730020120	FLOAT	1					
35	82456101000	NIPPLE,GREASE	1		A-PT1/8			

TG-600M-4-20101 5 BOOM + JIB,W-KA606U

Pos No.	Parts No	Parts Name	Qty	Unit	Technical Data	Serial No (Start)	Serial No (End)	Re
111	16623320380	SPACER	1					
112	16623320300	SPOOL (SUB)	1					
113	16623320330	CAP (RETURN SPRING)	2					
114	80602110100	RING,RITAINING	1		R10			
116	36632605120	SPRING (BACK PRESSURE)	1					
117	59451302360	CAP (AIR BLEEDER SCREW)	1					
119	90302040601	WASHER,SPRING	4		6			
120	90131506012	BOLT,HEXAGON SOCKET	8		M6X12			
121	80560003000	BALL,STEEL	1		3			
123	91002802100	O-RING	9		1B P21			
125	16623320240	O-RING	2					
126	12635101110	SPRING (RETURN)	1					
129	12635101140	SPRING	1					
130	18335118030	SCREW (ADJUSTING)	1					
131	90202201600	NUT	1		M16			
132	18335118250	NUT,CAP	1					
133	16623320390	TUBE (SEAL)	1					
134	19415107170	CAP	1					
135	36630695010	ORIFICE	2					
136	91002801200	O-RING	1		1B P12			
139	36630695020	PLATE	1					
142	18335118200	SPRING (FREE-LOCK VALVE)	1					
143	19415107230	CAP	1					
145	19415107240	SCREW (ADJUSTING)	1					
146	91002800500	O-RING	3		1B P5			
147	90203201200	NUT	1		M12			
148	19415107250	NUT,CAP	1					
150	36630695030	SLEEVE	1					
157	11615111050	SPRING	1					
159	19415107320	STOPPER	1					
160	19415107330	SPRING (STOPPER)	1					
161	19415107340	ROD,PUSH	1					
162	91001101800	O-RING	7		1A P18			
163	36630695040	SOLENOID ASSY	1					
164	90302040401	WASHER,SPRING	6		4			
165	80162104010	SCREW,MACHINE	6		M4X10			
167	19415107360	SPRING (CHECK)	2					
168	19415107370	SEAT (CHECK)	2					
169	91002903000	O-RING	3		1B G30			
170	18335116940	BREATHER,AIR	3					
172	90302041401	WASHER,SPRING	4		14			
173	90131514090	BOLT,HEXAGON SOCKET	4		M14X90			
174	36630135010	MANIFOLD	1					
177	90131510035	BOLT,HEXAGON SOCKET	4		M10X35			
200	36660175060	BARREL,CYLINDER	1					
210	19415107061	BRAKE ASSY (NON ASBESTOS)	1			465158		
220	80316080080	PLUG	1		PT1/2			
230	36080155020	MOTOR ASSY	1					
240	36080155031	VALVE,CONTROL	1					
260	37000901000	MANIFOLD ASSY	1					
270	19415107140	VALVE,RELIEF	1					
301	36080155040	HOUSING (GEAR)	1					
302	36080155050	SHAFT	1					
303	36080155060	BEARING	1					
304	36080155070	SEAL,OIL	1					
305	80500006206	BEARING,BALL	2					
306	36080155080	PIN	3					
307	18335116240	BEARING,THRUST	6					
308	36080155090	GEAR	3					
309	18335116250	BEARING,NEEDLE	9					
310	36080155100	WASHER (LOCK)	3					
311	36080155110	BOLT	6		M20X55			
312	80730200050	PIN	3		20X50			

TG-600M-4-20101 5 BOOM + JIB,W-KA606U

Pos No.	Parts No	Parts Name	Qty	Unit	Technical Data	Serial No (Start)	Serial No (End)	Remarks
1	80621210090	PIN,SNAP (9)	1					
2	90201200600	NUT	1		M6			
3	56140022000	TURN BUCKLE	1					
4	82100002007	CLAMP	1		WRC10			
5	90101208014	BOLT	1		M8X14			
6	90201200800	NUT	1		M8			
7	90302040801	WASHER,SPRING	1		8			
8	90303070801	WASHER,PLAIN	1		8			
9	90101206012	BOLT	4		M6X12			
10	90302040601	WASHER,SPRING	4		6			
12	90291200600	NUT(LEFT HAND SCREW)	1		M6			
21	37001700220	CABLE,CONTROL	1					
22	33331270110	SUPPORT	1					
23	90101208016	BOLT	2		M8X16			
24	90302040801	WASHER,SPRING	2		8			
25	16414701000	LEVER	1					
28	12114541001	PIN	1					
29	90303070801	WASHER,PLAIN	1		8			
30	80136325015	PIN,SPLIT	1		2.5X15			

TG-600M-4-20101 5 BOOM + JIB,W-KA606U

Pos No.	Parts No	Parts Name	Qty	Unit	Technical Data	Serial No (Start)	Serial No (End)	Remarks
4	37000905960	JOINT	1					
5	80400160134	JOINT	2					
6	80305030160	FITTING,TEE	1		KTN22-060N			
7	80303030280	FITTING,ELBOW	1		KLN22			
8	37000902910	JOINT	1					
9	80302010280	FITTING	2		KCT22-060N			
10	80303030080	FITTING,ELBOW	2		KLN08-020N			
11	80301010200	FITTING	2		KUA22-000N			
14	80316030020	PLUG	1		PT1/8			
16	37002400300	HOSE	1		L=1250			
17	37002400310	HOSE	1		L=1250			
18	37002400320	HOSE	1		L=630			
19	81408000290	PIPE,STEEL	2	M	22X2.5T			
20	37002400470	HOSE	1		L=530			
21	81408000290	PIPE,STEEL	2	M	22X2.5T			
22	81408000290	PIPE,STEEL	2	M	22X2.5T			
23	81408000290	PIPE,STEEL	1	M	22X2.5T			
24	81408000290	PIPE,STEEL	1	M	22X2.5T			
25	81408000290	PIPE,STEEL	2	M	22X2.5T			
26	81408000290	PIPE,STEEL	2	M	22X2.5T			
27	81408000241	PIPE,STEEL	1	M	18X1.9T			
28	81408000081	PIPE,STEEL	2	M	8X1.2T			
29	81408000081	PIPE,STEEL	1	M	8X1.2T			
32	37000600240	CLAMP	2		R=11			
33	37000700210	CLAMP ASSY	1					
36	91002802900	O-RING	2		1B P29			
37	90131508016	BOLT,HEXAGON SOCKET	4		M8X16			
40	90302040801	WASHER,SPRING	4		8			
41	37000900360	JOINT	1					
42	37000900120	JOINT	1					
43	37000900130	JOINT	2					
44	37000902920	JOINT	2					
45	16315290011	SUPPORT ASSY	2					
46	56357090060	CLAMP ASSY	1					
48	37000513630	PLATE	1					
49	37000700140	CLAMP ASSY	1					
50	37000700320	CLAMP ASSY	1					
51	37000504950	PLATE	1					

TG-600M-4-20101 5 BOOM + JIB,W-KA606U

Pos No.	Parts No	Parts Name	Qty	Unit	Technical Data	Serial No (Start)	Serial No (End)	Remarks
1	36090760030	COVER	1					
2	90101210020	BOLT	4		M10X20			
3	90302041001	WASHER,SPRING	4		10			
4	36090760010	PLATE	1					
5	37001000100	SHEAVE ASSY	2					
7	90101516035	BOLT	8		M16X35			
8	16611505000	PLATE	4					
9	37000114720	PIN	1					
10	37000300050	SPACER	2		L=5			
11	37000302110	SPACER	1		L=110			
13	36090470100	BOLT	3					
14	90302042001	WASHER,SPRING	3		20			
16	80500051218	BEARING,BALL	1					
17	36090140700	TRUNNION	1					
19	36091229510	STOPPER ASSY	1					
20	82456101000	NIPPLE,GREASE	1		A-PT1/8			
21	36090760020	PLATE	1					
22	37000105000	PIN	1					
25	16611506000	PLATE	4					
26	37000105200	PIN	1					
27	90303071001	WASHER,PLAIN	1		10			
28	80136332020	PIN,SPLIT	1		3.2X20			
29	37001400040	SPRING	1					
30	36090470130	SHIM	2					
31	14211522000	GRIP	2					
35	33200000650	BEARING,BALL (2 PCS./SET)	2					
40	36090229510	HOOK ASSY	1					
50	36090760000	HOOK (SHEAVE 2 PC'S)	1					

TG-600M-4-20101 5 BOOM + JIB,W-KA606U

Pos No.	Parts No	Parts Name	Qty	Unit	Technical Data	Serial No (Start)	Serial No (End)	Remarks	Pages
1	37001800710	ROPE,WIRE	1						

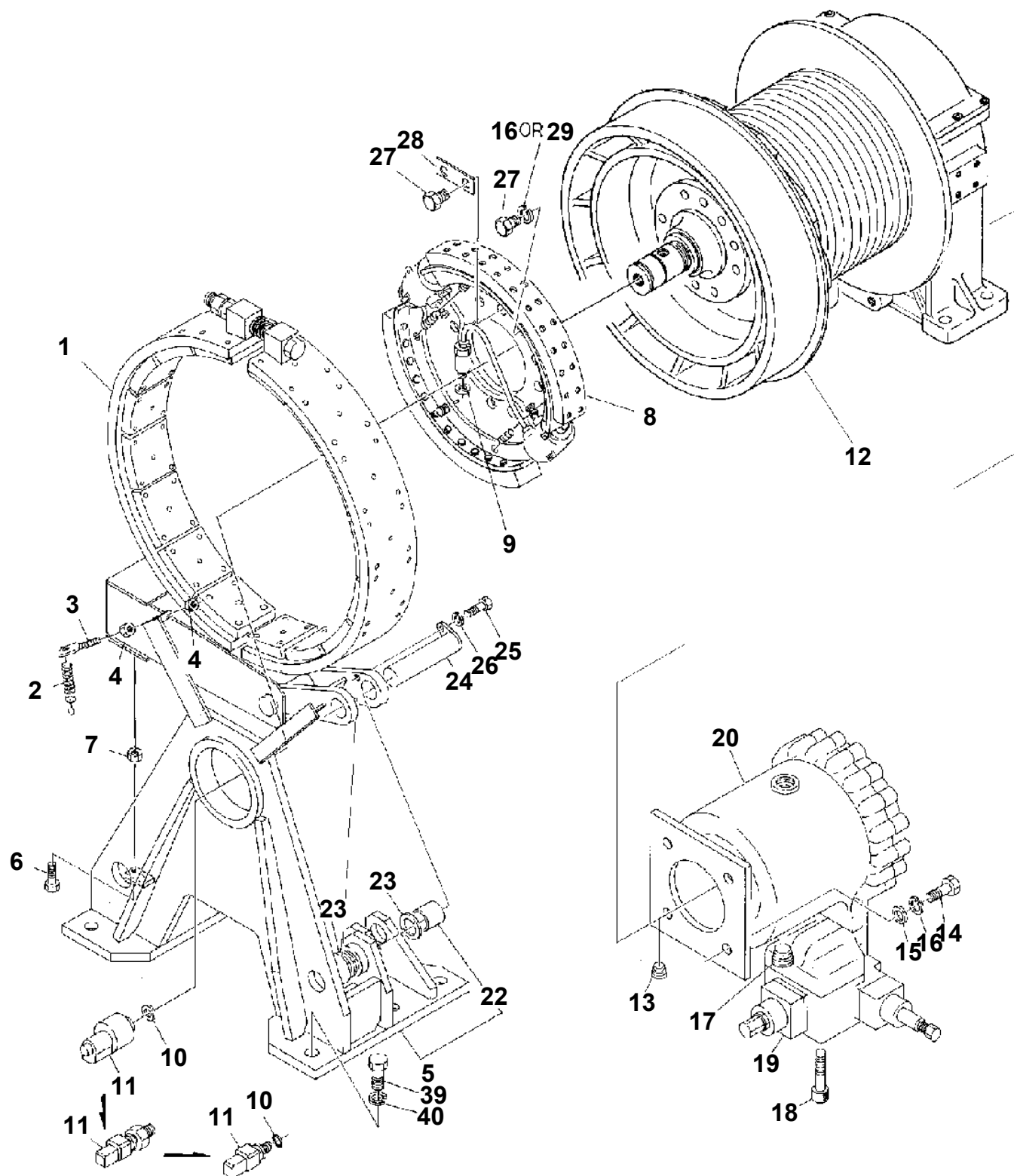
TG-600M-4-20101 5 BOOM + JIB,W-KA606U

Pos No.	Parts No	Parts Name	Qty	Unit	Technical Data	Serial No (Start)	Serial No (End)	Remarks
1	90131510020	BOLT,HEXAGON SOCKET	2		M10X20			
2	36060450000	CYLINDER,BRAKE	1					
3	36070451010	SUPPORT	1					
4	37001300100	SPRING	2					
5	36070021200	ROD	1					
6	90302041601	WASHER,SPRING	1		16			
7	33310851110	ADAPTER	1					
8	37000101550	PIN	1					
9	37000101590	PIN	1					
10	80136340063	PIN,SPLIT	2					
11	90303073001	WASHER,PLAIN	2		30			
12	36070451150	LINK	1					
13	90101512020	BOLT	2		M12X20			
14	90302041201	WASHER,SPRING	2		12			
15	33310851160	BAND	1					
16	36070021010	BOLT	1		M24X240			
17	90202702400	NUT	3		M24			
18	37001200000	SPRING	1					
19	36070451200	INDICATOR	1					
21	37001200020	SPRING	1					
22	36060370001	CYLINDER,BRAKE	1					
23	90302041001	WASHER,SPRING	2		10			
24	90203702400	NUT	1		M24			
25	90101206014	BOLT	2		M6X14			
26	90302040601	WASHER,SPRING	2		6			
33	33310761140	LINING	14					
40	36070021500	RIVET	80		6X12X12			
43	33310761150	LINING	2					
80	33310851100	BAND,WINCH BRAKE	1					

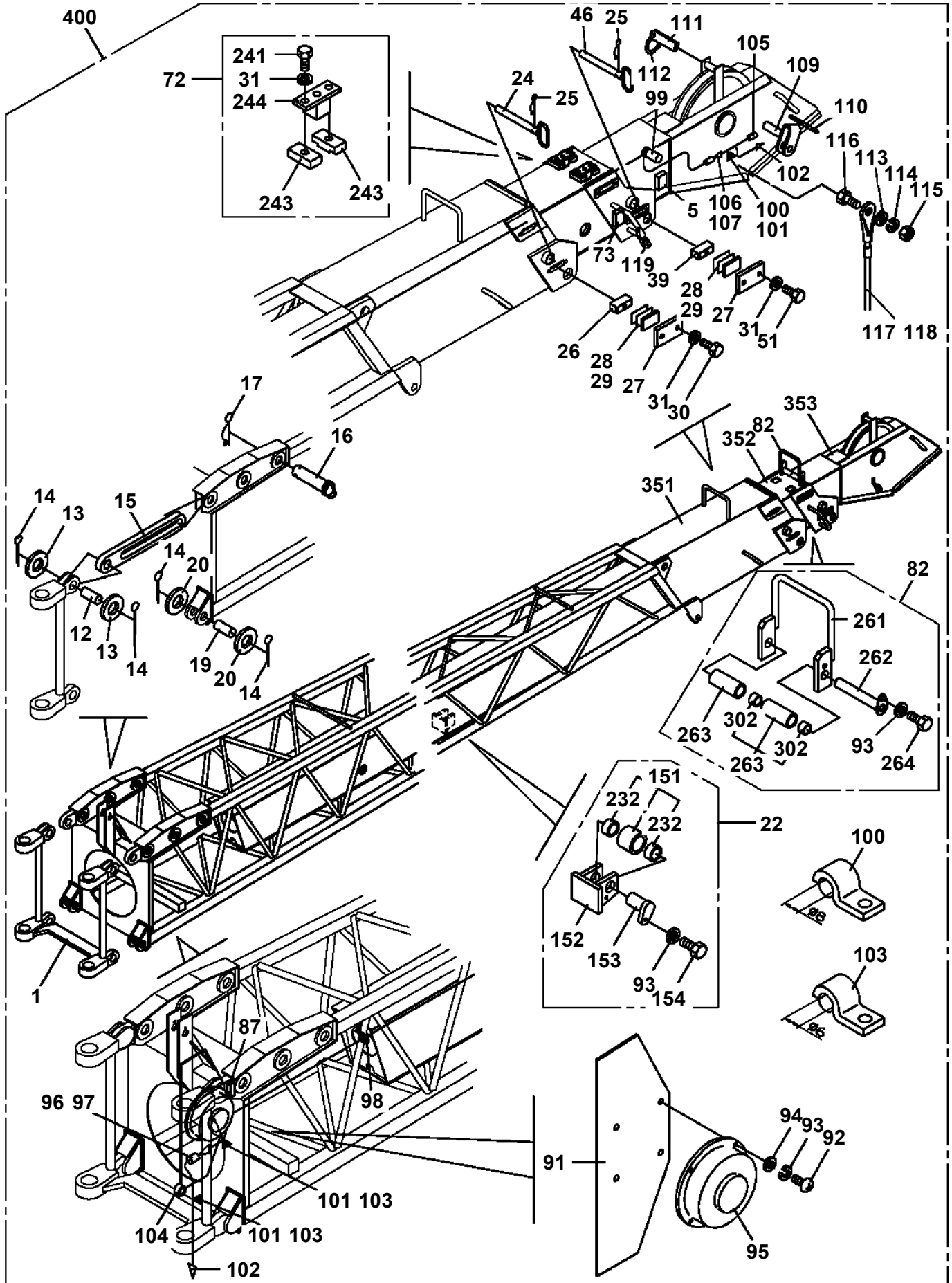
TG-600M-4-20101 5 BOOM + JIB,W-KA606U

Pos No.	Parts No	Parts Name	Qty	Unit	Technical Data	Serial No (Start)	Serial No (End)	Remarks	Pages
1	33341498010	PIPE ASSY	1						
2	33341498020	PIPE ASSY	1						
3	33341498030	PIPE ASSY	1						
4	33341498040	PIPE ASSY	1						
5	33341498050	PIPE ASSY	1						
6	33341498060	PIPE ASSY	1						
7	19415200270	HOSE,BRAKE	2		L=400				
8	90304111401	WASHER,TOOTH	2		14				
9	90211251401	NUT	2		M14				
10	37000904820	NUT,FLARE	12		M14				
11	37000507740	SUPPORT	2						
12	37000703460	CLAMP ASSY	2						
13	59159040000	FITTING	2						
14	37000700220	CLAMP ASSY	4						
15	33340050040	JOINT ASSY	1						
21	37000900400	JOINT,NIPPLE	2						
22	33340050050	SUPPORT	1						
23	90304111401	WASHER,TOOTH	2		14				
24	90211201401	NUT	2		M14				

**TG-600M-4-20101 5 BOOM + JIB,W-KA606U
PF1400300-03 MOUNT,WINCH**



TG-600M-4-20101 5 BOOM + JIB,W-KA606U
 PG1040078-01 JIB

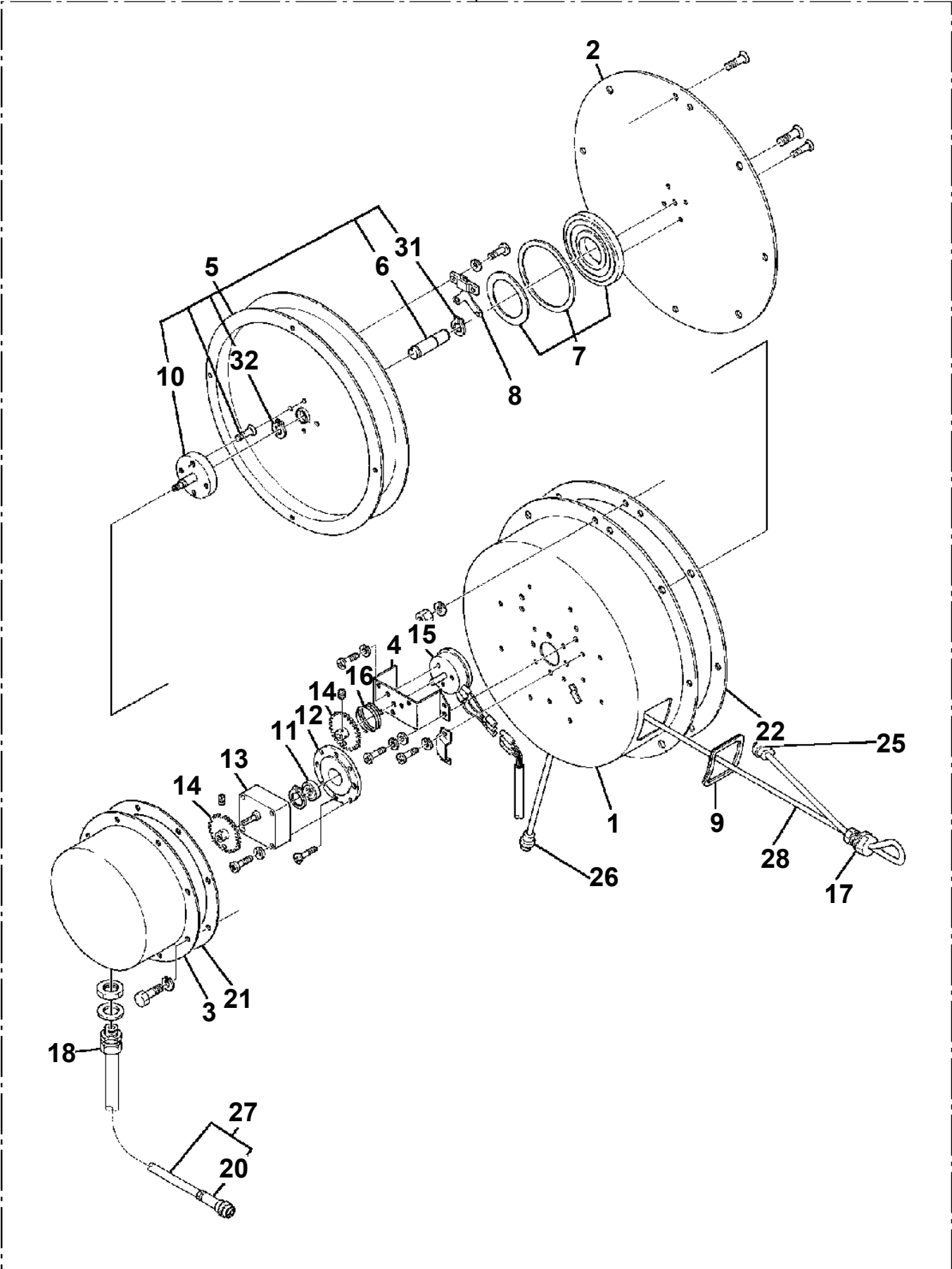


TG-600M-4-20101 5 BOOM + JIB,W-KA606U

Pos No.	Parts No	Parts Name	Qty	Unit	Technical Data	Serial No (Start)	Serial No (End)	R
1	37001101020	ROLLER ASSY	2					
2	16316005000	COLLAR	4		L=4			
3	90303102001	WASHER,PLAIN	6		20			
4	80720104032	PIN,SPRING	6		4X32			
5	16066028000	PIN	2					
6	37001100040	ROLLER ASSY	2					
7	18616057000	COLLAR	6		L=5			
8	37000139880	PIN	2					
9	33210361000	SUPPORT	1					
	33210533000	SUPPORT	1					
10	37000100350	PIN	1					
13	33210532000	SUPPORT	1					
14	33210363000	SUPPORT	1					
17	91002801400	O-RING	5		1B P14			
18	33210160040	SUPPORT	2					
19	90720005120	SCREW,SET	4		M5X12			
20	80400160129	JOINT	2					
21	37002406230	HOSE	2		L=315			
22	33210000410	SUPPORT	2					
23	90131510022	BOLT,HEXAGON SOCKET	4		M10X22			
24	90302041001	WASHER,SPRING	6		10			
25	37000104380	PIN	2			465172		
	37000100360	PIN	2				465171	
26	80136030030	PIN,SPLIT	4		3X30			
27	90131508055	BOLT,HEXAGON SOCKET	4		M8X55			
28	90302040801	WASHER,SPRING	6		8			
29	33210160500	ADAPTER	1				465160	
	33210160501	ADAPTER	1			465161		
30	91001102100	O-RING	1		1A P21			
32	37000900030	JOINT	1					
33	33210160060	ROLLER ASSY	1					
34	33210160400	PLATE	1					
35	90101210016	BOLT	2		M10X16			
39	37000300030	SPACER	1		L=80			
41	37001100380	ROLLER ASSY	2					
43	33210470620	SUPPORT	2					
44	90303072001	WASHER,PLAIN	4		20	465172		
51	80516006204	BEARING,BALL	8					
63	80602110470	RING,RITAINING	4		R47			
71	59457138000	PLUG ASSY	3					
72	80720105025	PIN,SPRING	3		5X25			
73	37001600420	NUT	3					
74	36010350011	PISTON	3					
75	91431213501	RING,BACKUP	3					
76	91411213501	RING,BACKUP	3					
77	91684015001	PACKING	6					
78	91002911000	O-RING	3		1B G110			
79	91302315000	BEARING,PLAIN	6					
80	36012508810	CYLINDER ASSY	1					
81	36012502000	ROD	1					
82	91002915000	O-RING	3		1B G150			
83	36010350041	COVER,ROD	3					
84	91251101320	RING,DAMPER	3					
85	36010350050	SUPPORT	3					
86	91694013201	PACKING	3					
87	91410213201	RING,BACKUP	3					
88	91301113200	BEARING,PLAIN	3					
89	91660013201	SEAL,DUST	3					
90	36012518810	CYLINDER ASSY	1					
91	18336032000	PLATE	3					
92	16616016000	PLATE	3					
93	90131510025	BOLT,HEXAGON SOCKET	12		M10X25			
94	90302041001	WASHER,SPRING	12		10			

TG-600M-4-20101 5 BOOM + JIB,W-KA606U
PG1130050-02 DETECTOR,BOOM LENGTH (NICHIDEN)

50



CLICK HERE TO **DOWNLOAD** THE COMPLETE MANUAL

- Thank you very much for reading the preview of the manual.
- You can download the complete manual from: www.heydownloads.com by clicking the link below



- Please note: If there is no response to CLICKING the link, please download this PDF first and then click on it.

CLICK HERE TO **DOWNLOAD** THE COMPLETE MANUAL

TG-600M-4-20101 5 BOOM + JIB,W-KA606U

Pos No.	Parts No	Parts Name	Qty	Unit	Technical Data	Serial No (Start)	Serial No (End)	F
10	36600805010	RETAINER (SPRING)	1					
15	36600805020	SPRING (A)	2					
16	36600805030	SPRING (B)	2					
17	36600805040	SPRING (C)	1					
21	36600545010	BODY,VALVE (B)	1					
26	16065132330	SPRING	1					
28	90131510050	BOLT,HEXAGON SOCKET	8		M10X50			
29	90131508045	BOLT,HEXAGON SOCKET	3		M8X45			
30	90131504010	BOLT,HEXAGON SOCKET	1		M4X10			
31	80316030010	PLUG	2		NPTF1-16			
33	80316030040	PLUG	2		PT1/4			
34	91002800600	O-RING	4		1B P6			
35	91002800900	O-RING	2		1B P9			
36	91002801000	O-RING	1		1B P10			
37	91001101100	O-RING	1		1A P11			
38	91002801100	O-RING	1		1B P11			
39	91002801500	O-RING	1		1B P15			
40	91002801600	O-RING	3		1B P16			
41	91002801800	O-RING	1		1B P18			
43	91002803100	O-RING	1		1B P31			
44	91002803500	O-RING	4		1B P35			
45	91000503100	O-RING	2					
47	90309332001	WASHER,CONICAL SPRING	2		20			
50	36600855020	VALVE,SOLENOID	2					
52	36600805100	SPRING	2					
61	80316030010	PLUG	11		NPTF1-16			
71	36600855060	COVER ASSY	2					
72	36600855070	VALVE,CHECK	2					
73	36600855080	VALVE,RELIEF	1					
74	36600855090	VALVE,CHECK	1					
88	36640495010	COIL,SOLENOID	2					
89	36640075020	NUT	2					
91	91002802100	O-RING	2		1B P21			
92	91000521100	O-RING	2					
93	91001003800	O-RING	2		S38			
94	36640235060	CONNECTOR	2					
100	36600530000	VALVE,CONTROL (TELESCOPING)	1					

TG-600M-4-20101 5 BOOM + JIB,W-KA606U

Pos No.	Parts No	Parts Name	Qty	Unit	Technical Data	Serial No (Start)	Serial No (End)	Re
1	32370002170	PLATE	1					
2	32370002110	GASKET	1					
3	32370002121	COVER	1					
4	80162303025	SCREW,MACHINE	2		M3X25			
5	90302040301	WASHER,SPRING	2		3			
6	82100001355	SWITCH,LIMIT	1					
7	32370002131	ROD	1					
8	14148373001	SPRING	1					
9	80601110180	RING,RITAINING	1		S18			
10	32370002161	SUPPORT	1					
11	90303070301	WASHER,PLAIN	2		3			
12	82100002283	CONNECTOR	1					
13	82100002355	TERMINAL (GOLD)	2					
14	32370005200	CORD	1					
15	32370005210	CORD	1					
16	82100000592	TERMINAL (M40.3 TO 1.25)	2					
17	89630201000	HOSE,VINYL	1		6X8,1M			
18	14148375000	GROMMET	1					
19	90101208045	BOLT	2		M8X45			
20	90302040801	WASHER,SPRING	2		8			
21	16268231000	LABEL (SWITCH,OVER WINDING)	1					
22	82100001220	INSULATOR	2					
23	82100002329	PLUG	1					
30	32370009511	ROD ASSY	1					
31	32370002150	SPACER	1		L=12 TO 11			
32	80720103014	PIN,SPRING	1		3X14			
50	33370888030	SWITCH ASSY (BOOM)	1					

TG-600M-4-20101 5 BOOM + JIB,W-KA606U

Pos No.	Parts No	Parts Name	Qty	Unit	Technical Data	Serial No (Start)	Serial No (End)	Remarks	Pages
1	82100002351	SWITCH,LIMIT	2						
2	82100002345	SWITCH,LIMIT	5						

TG-600M-4-20101 5 BOOM + JIB,W-KA606U

Pos No.	Parts No	Parts Name	Qty	Unit	Technical Data	Serial No (Start)	Serial No (End)	Remarks
1	36660005200	SHAFT	1					
2	36660005010	BEARING	1					
3	36660005110	COVER (OIL SEAL)	1					
4	36660005020	SEAL,OIL	1					
5	91001212500	O-RING	2		1A G125			
6	36660005120	RING,RETAINING	1					
7	36660005210	PLATE (CAM)	1					
8	80730160045	PIN	1		M16X45			
9	90302040801	WASHER,SPRING	2		8			
10	90101208028	BOLT	2		M8X28			
11	36660005140	SPRING	18					
12	80500006310	BEARING,BALL	1					
13	36660005270	PLATE (VALVE)	1					
14	36660005220	COVER (BOTTOM)	1					
15	80720113025	PIN,SPRING	1		13X25			
16	36660005170	O-RING	1					
17	90302041401	WASHER,SPRING	15		14			
18	90131514045	BOLT,HEXAGON SOCKET	15		M14X45			
19	36660005230	PLATE (CYLINDER BARREL)	1					
20	80730100020	PIN	3		10X20			
21	80316030080	PLUG	1		PT1/2			
22	12423016140	PLUG	1		PT1/2			
23	36660005190	JOINT	1					
26	36660005100	MANIFOLD	1					
27	91002903500	O-RING	2		1B G35			
28	90302041001	WASHER,SPRING	8		10			
29	90131510060	BOLT,HEXAGON SOCKET	8		M10X60			
30	91001101000	O-RING	2		1A P10			
31	36660005040	SEAL,OIL	1					
34	36660005250	BARREL,CYLINDER	1					
35	14145101021	O-RING	1					
41	36660005060	SPRING (CENTER)	1					
42	36660005050	SEAT,SPRING (CENTER)	1					
43	80602110880	RING,RITAINING	1		R88			
45	36660195100	HOLDER,PLUNGER	1					
50	36660350000	MOTOR,HYDRAULIC	1					

TG-600M-4-20101 5 BOOM + JIB,W-KA606U

Pos No.	Parts No	Parts Name	Qty	Unit	Technical Data	Serial No (Start)	Serial No (End)	Remarks	Pages
1	36100005010	BODY	1						
2	36100005020	CAP	1						
3	36100005030	BRACKET ASSY	1						
6	36100005040	NIPPLE	1						
7	36100005050	O-RING	1						
8	36100005060	WASHER,SPRING	1						
10	36100005080	WASHER	1						
12	81408000160	PIPE,STEEL	1		12X1.4T				
30	36100000000	RESERVOIR,OIL	1						

TG-600M-4-20101 5 BOOM + JIB,W-KA606U

Pos No.	Parts No	Parts Name	Qty	Unit	Technical Data	Serial No (Start)	Serial No (End)	Remarks
1	36640010000	VALVE,SOLENOID	1					
3	36640015030	PLUG	1		1/4			
4	36640015040	SPRING	1					
5	91002800600	O-RING	3		1B P6			
6	91002801100	O-RING	1		1B P11			
7	91001101200	O-RING	1		1A P12			
8	90131504065	BOLT,HEXAGON SOCKET	4		M4X65			
12	82100000279	TERMINAL	1					
14	90131505050	BOLT,HEXAGON SOCKET	4		M5X50			
15	36640015021	SOLENOID	1					

TG-600M-4-20101 5 BOOM + JIB,W-KA606U

Pos No.	Parts No	Parts Name	Qty	Unit	Technical Data	Serial No (Start)	Serial No (End)	Remarks	Pages
2	80316090040	PLUG SOCKET	4		R1/4				
4	36621305020	SPRING	4						
10	36622080000	VALVE,CHECK	1						

TG-600M-4-20101 5 BOOM + JIB,W-KA606U

Pos No.	Parts No	Parts Name	Qty	Unit	Technical Data	Serial No (Start)	Serial No (End)	Remarks	Pages
2	36620025020	PLUG	2						
3	36620025030	PLUG	2						
4	36620025040	FILTER	2						
5	36620025050	SPRING	2						
6	91002801400	O-RING	2		1B P14				
7	91002800800	O-RING	2		1B P8				
8	19491046020	PLUG	4		NPTF1/16				
9	80560058000	BALL,STEEL	2		9/32				
30	36620020000	VALVE,CHECK	1						

TG-600M-4-20101 5 BOOM + JIB,W-KA606U

Pos No.	Parts No	Parts Name	Qty	Unit	Technical Data	Serial No (Start)	Serial No (End)	Remarks
3	36610005030	PIN	1					
4	91001100600	O-RING	1		1A P6			
5	91411000600	RING,BACKUP	1		P6			
6	36610005040	GUIDE	1					
7	91001102000	O-RING	2		1A P20			
8	36610005051	BAR (PUSH)	1					
9	80720105050	PIN,SPRING	1		5X50			
10	36610005061	CAP	1					
11	90740005060	SCREW,MACHINE	4		M5X6			
12	36610005070	SPACER	1					
13	36610005080	CASE (SPRING)	1					
14	91001002200	O-RING	1		S22			
15	36610005090	SPRING	1					
16	36610005100	JOINT	1					
17	36610005110	SEAT,SPRING	1					
18	36610005120	BOLT (ADJUSTING)	1					
19	36610005130	NUT,LOCK	1					
20	91650001200	SEAL,DUST	1					
50	36610000000	VALVE,FLOW CONTROL	1					

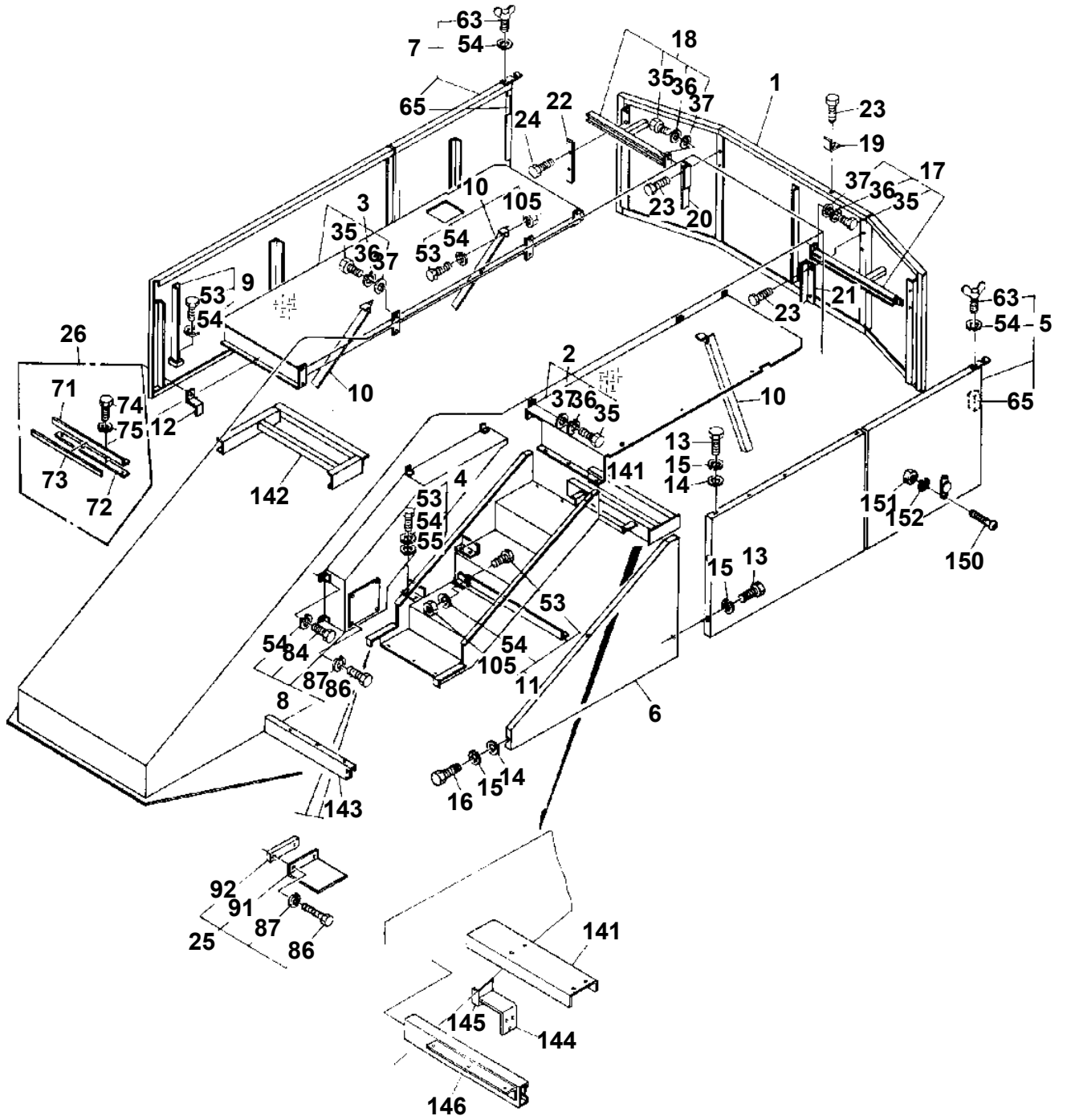
TG-600M-4-20101 5 BOOM + JIB,W-KA606U

Pos No.	Parts No	Parts Name	Qty	Unit	Technical Data	Serial No (Start)	Serial No (End)	Remarks	Pages
1	36670040010	FILTER	1						
2	36670045010	COVER,HEAD	1						
3	36670045020	GASKET	1						
4	36670040000	FILTER,OIL	1						

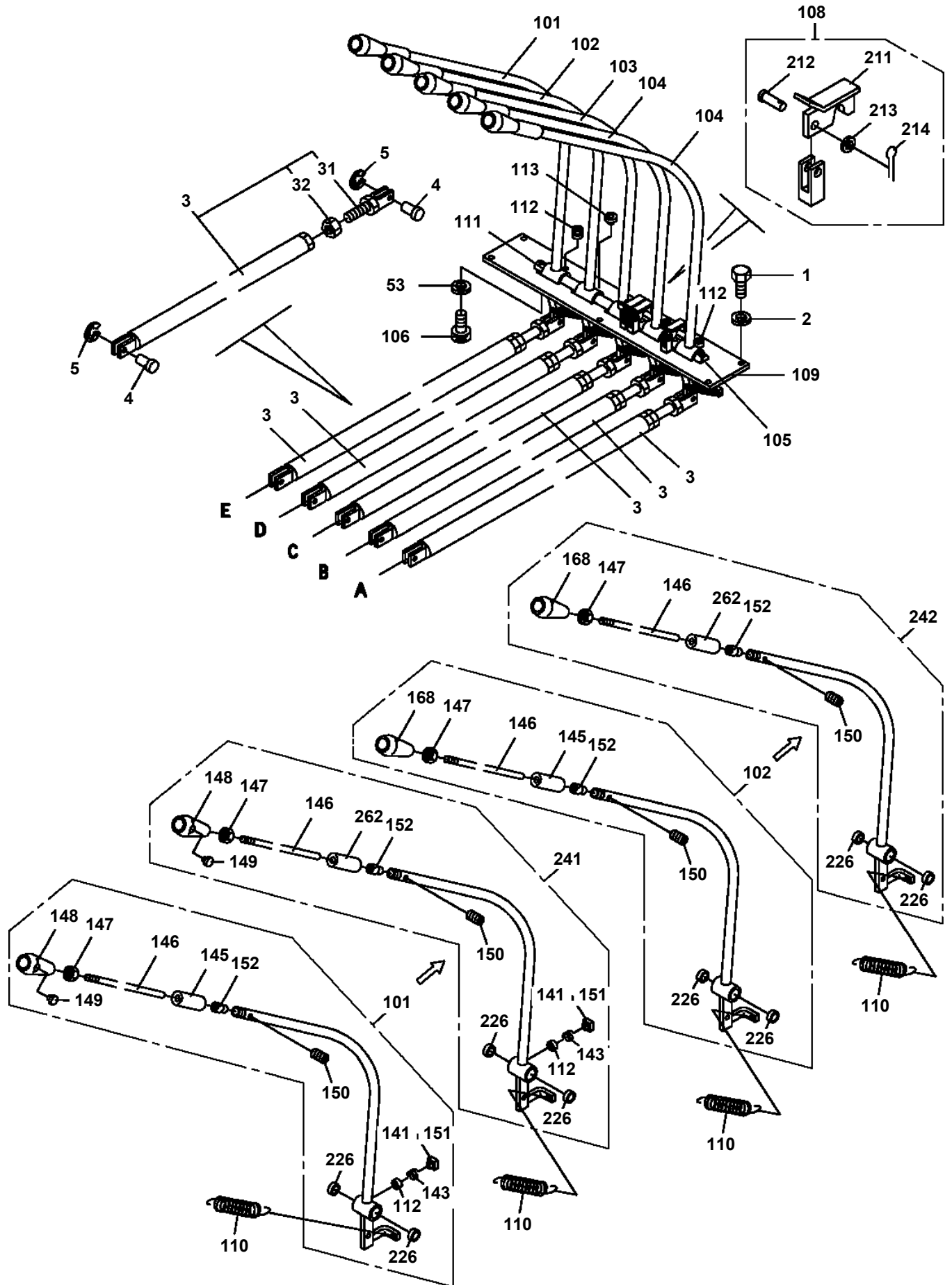
TG-600M-4-20101 5 BOOM + JIB,W-KA606U

Pos No.	Parts No	Parts Name	Qty	Unit	Technical Data	Serial No (Start)	Serial No (End)	Remarks	Pages
1	33230470010	TABLE,SLEWING	1						
2	37000107300	PIN	1						
3	37000107310	PIN	1						
4	33230000060	PLATE	2						
5	33230000070	PLATE	3						
6	33230000080	PLATE	1						
8	33230110720	STOPPER	4				465173		
9	18022002000	BOLT	33		M27X190				
10	18022006000	BOLT	14		M27X168				
11	90101230040	BOLT	1		M30X40				
12	90101512045	BOLT	6		M12X45				
13	90101512035	BOLT	2		M12X35				
14	90201702700	NUT	27		M27				
15	90302043001	WASHER,SPRING	1		30				
16	90302042701	WASHER,SPRING	47		27				
17	90302041201	WASHER,SPRING	8		12				
18	33230000190	SHIM (T=3.2)	1						
19	33230000200	SHIM (T=2.3)	1						
20	90303071201	WASHER,PLAIN	6		12				
21	33230100430	PLATE	2				465173		
22	34230405000	STOPPER	9			465174			
	33280430300	STOPPER	7				465173		
31	33230000050	PLATE	1						
32	33230470300	FRAME	1						
60	80136340040	PIN,SPLIT	1		4X40				
61	90303102001	WASHER,PLAIN	1		20				
62	33230000100	FORK	1						
63	37000100390	PIN	1						

TG-600M-4-20101 5 BOOM + JIB,W-KA606U
PK1200140-03 COVER,SWING FRAME



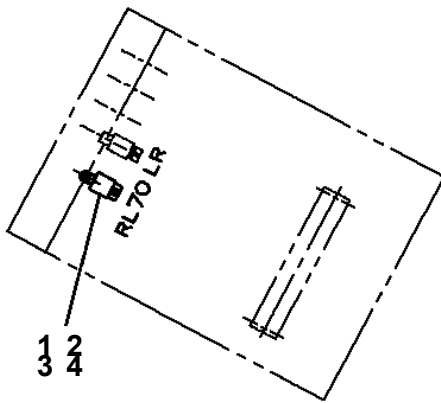
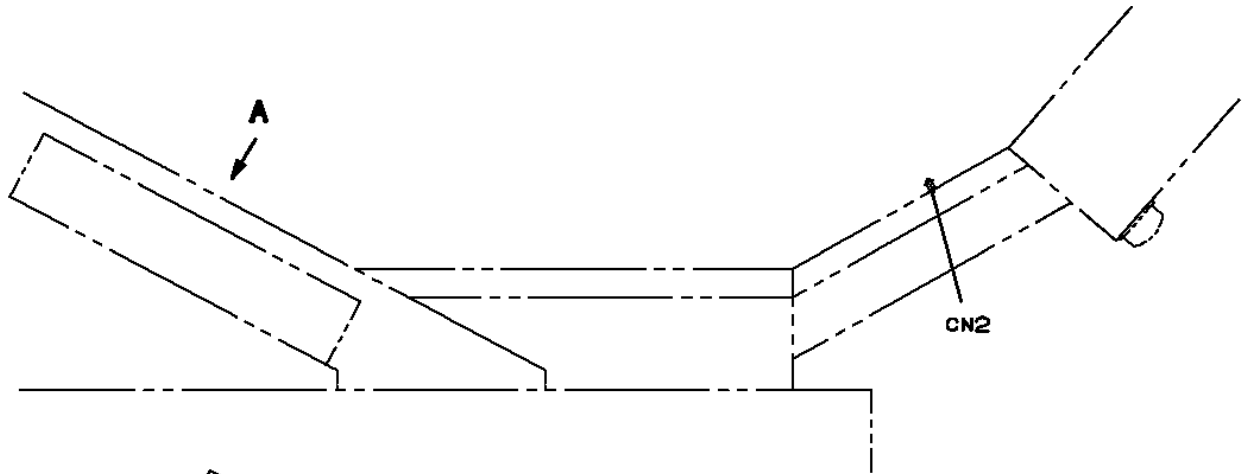
TG-600M-4-20101 5 BOOM + JIB,W-KA606U
PL1010196-02 OPE.ASSY,CONT.VALVE (TDN)



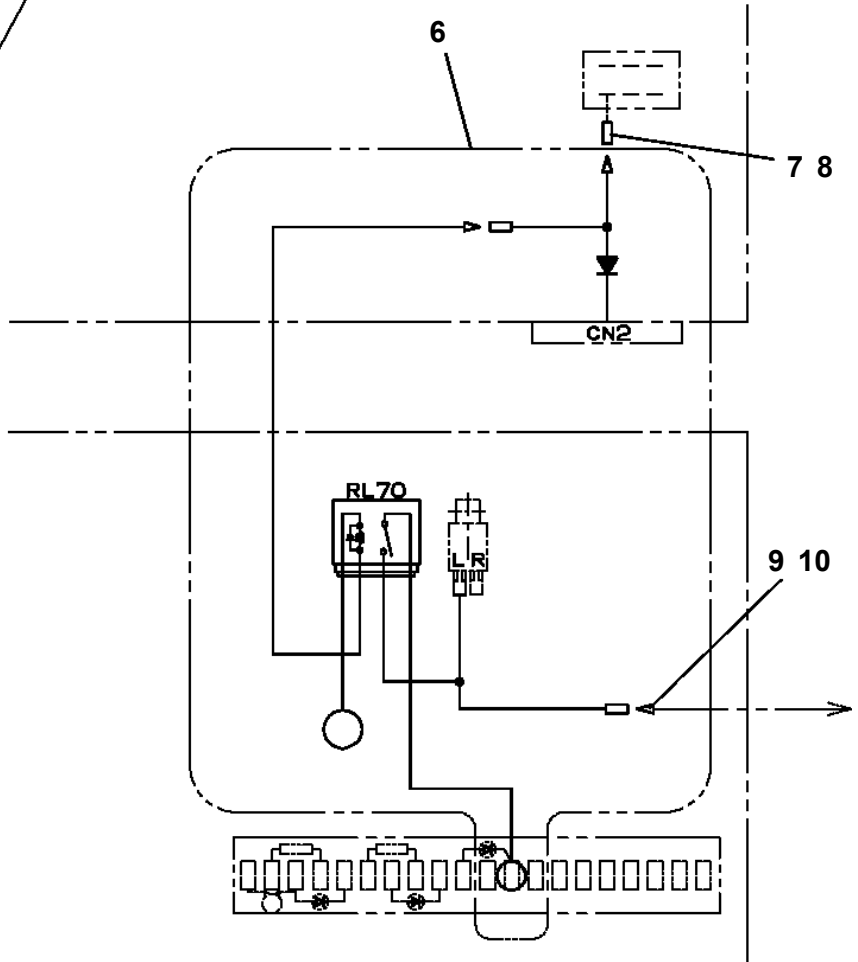
TG-600M-4-20101 5 BOOM + JIB,W-KA606U

Pos No.	Parts No	Parts Name	Qty	Unit	Technical Data	Serial No (Start)	Serial No (End)	Remark
1	33710601000	ROD ASSY	1					
2	90303100601	WASHER,PLAIN	2		6			
3	80136320012	PIN,SPLIT	2		2X12			
5	37000904820	NUT,FLARE	5		M14			
6	33700010040	JOINT ASSY	2					
7	33710608020	PIPE ASSY	1					
8	33700010330	JOINT ASSY	2					
9	37000700290	CLAMP ASSY	5					
10	33710878010	PIPE ASSY	1					
11	33700010030	JOINT ASSY	1					
12	33710608040	PIPE ASSY	1					
13	33710608050	PIPE ASSY	1					
14	33710608060	PIPE ASSY	1					
21	37001504480	BOLT	1					
22	33700230020	BOLT (LEFT HAND SCREW)	1					
23	56140022000	TURN BUCKLE	1					
24	90201200600	NUT	1		M6			
25	90291200600	NUT(LEFT HAND SCREW)	1		M6			
30	80136320012	PIN,SPLIT	1		2X12			
31	90302041001	WASHER,SPRING	5		10			
32	33700010080	END	1					
33	90203200800	NUT	1		M8			
34	36060010000	CYLINDER,CONTROL	1					
35	90101210030	BOLT	2		M10X30			
36	37000900410	JOINT,NIPPLE	1					
37	33700010090	GASKET	1					
38	37000101470	PIN	1					
39	90303100601	WASHER,PLAIN	1		6			
41	33710608010	LINK ASSY	1					
51	37000900400	JOINT,NIPPLE	4					
52	37000500300	PLATE	2					
53	90304111401	WASHER,TOOTH	5		14			
54	90211201401	NUT	4		M14			
62	37000500290	PLATE	2					
71	37000500280	PLATE	1					
73	90211201400	NUT	1		M14			
74	37000900390	JOINT,NIPPLE	1					
81	33710602100	SUPPORT	1					
82	33710602200	LEVER	1					
83	33700110060	LEVER	1					
84	90203201000	NUT	5		M10			
86	90303071001	WASHER,PLAIN	1		10			
87	19414033000	SPRING	1					
88	37001500110	BOLT	1					
89	37000524350	PLATE	2					
90	90101210016	BOLT	2		M10X16			
91	90101208012	BOLT	2		M8X12			
92	90302040801	WASHER,SPRING	2		8			
93	33710602300	COVER	1					
94	90102210060	BOLT	1		M10X60			
101	80804014020	BEARING,PLAIN	2					

TG-600M-4-20101 5 BOOM + JIB,W-KA606U
PN1110103-00 RELAY ASSY (OPTION, LAMP,AML SIGNAL)



A



TG-600M-4-20101 5 BOOM + JIB,W-KA606U

Pos No.	Parts No	Parts Name	Qty	Unit	Technical Data	Serial No (Start)	Serial No (End)
1	37002209450	PLATE,NAME (TADANO)	2				
2	33390881100	PLATE,NAME (TG-600M)	2				
3	37002202180	PLATE,NAME (WINCH CLANCH FREE)	1				
4	33390881200	PLATE,NAME	1				465167
5	33390881300	PLATE,NAME (60TON)	2				
8	33394441100	PLATE,NAME (5TON)	1				465167
	37002213520	PLATE,NAME (5.0TON)	1			465168	
9	37002213510	PLATE,NAME	1			465168	
10	33394441010	PLATE,NAME	1			465168	
12	37002210640	PLATE,NAME (FUSE)	1			465167	
13	37002200150	PLATE,NAME (FUSE)	1				
14	37002202190	PLATE,NAME (WINCH CLANCH ON)	1				
15	37002200090	PLATE,NAME (AUXILIARY)	4				
16	37002200080	PLATE,NAME (MAIN)	4				
18	33390882800	PLATE,NAME (OUTRIGGER)	1				
19	(*****)	PLATE,NAME (AML)	1				
20	37002200050	PLATE,NAME (SWING)	1				
21	37002200060	PLATE,NAME (BOOM,ELEVATING)	1				
22	37002200070	PLATE,NAME (BOOM,TELESCOPING)	1				
23	37002200040	PLATE,NAME (WINCH)	2				
24	37002200030	PLATE,NAME	2				
25	37002207270	PLATE,NAME (BOOM EXT.)	1				
26	37002200010	PLATE,NAME (HORN)	1				
27	80147310420	RIVET	4		3.2X6		
30	37002214000	PLATE,NAME	1			465172	
31	37002202200	PLATE,NAME (DRAM LOCK)	1				
32	33391131800	PLATE,CAUTION	1				
34	90928030101	SCREW,TAPPING	7		M3X10		
36	14137207000	PLATE,NAME (GREASE)	30				
37	37002207010	PLATE,NAME (ACC.)	1				
38	33390000180	CASE	2				
39	33390882000	PLATE,NAME	1				465167
40	16217116000	PLATE,NAME (15TON)	2				
45	33390000220	PLATE,NAME (INDICATION ANGLE)	1				
46	34391583800	PLATE,NAME	2				
47	90201201000	NUT	1		M10		
48	90101210016	BOLT	1		M10X16		
49	12647107001	INDICATOR	1				
50	33394441500	PLATE,NAME	1				
51	33394441550	PLATE,NAME	1				
52	33391760800	PLATE,CAUTION	1				
53	37002209370	PLATE,NAME (TADANO)	1				465173
54	80185108025	SCREW,MACHINE	6		M8X25		465173
55	16627013000	PLATE,NAME (ACCUMULATOR)	1				
56	34391583100	PLATE,NAME	2				
57	33390000300	PLATE,NAME	2				
58	90302040801	WASHER,SPRING	6		8		465173
59	33390882500	PLATE,CAUTION	3				
60	33394441600	PLATE,NAME	1				
61	33394441650	PLATE,NAME	1				
62	33390882900	PLATE,NAME	1				
63	37002214850	PLATE,NAME (GREEN)	6			465174	
71	37000500120	PLATE	2				
72	33390881410	PLATE	1				
73	90101208012	BOLT	4		M8X12		
74	90302040801	WASHER,SPRING	4		8		
75	56357017000	PLATE	2				
81	34392253010	PLATE	1				
82	37000509620	PLATE	6				
83	80182308012	SCREW,MACHINE	6		M8X12		
84	90302040801	WASHER,SPRING	6		8		
91	33394441310	PLATE,NAME	1				
92	33394441320	PLATE,NAME	1				

TG-600M-4-20101 5 BOOM + JIB,W-KA606U

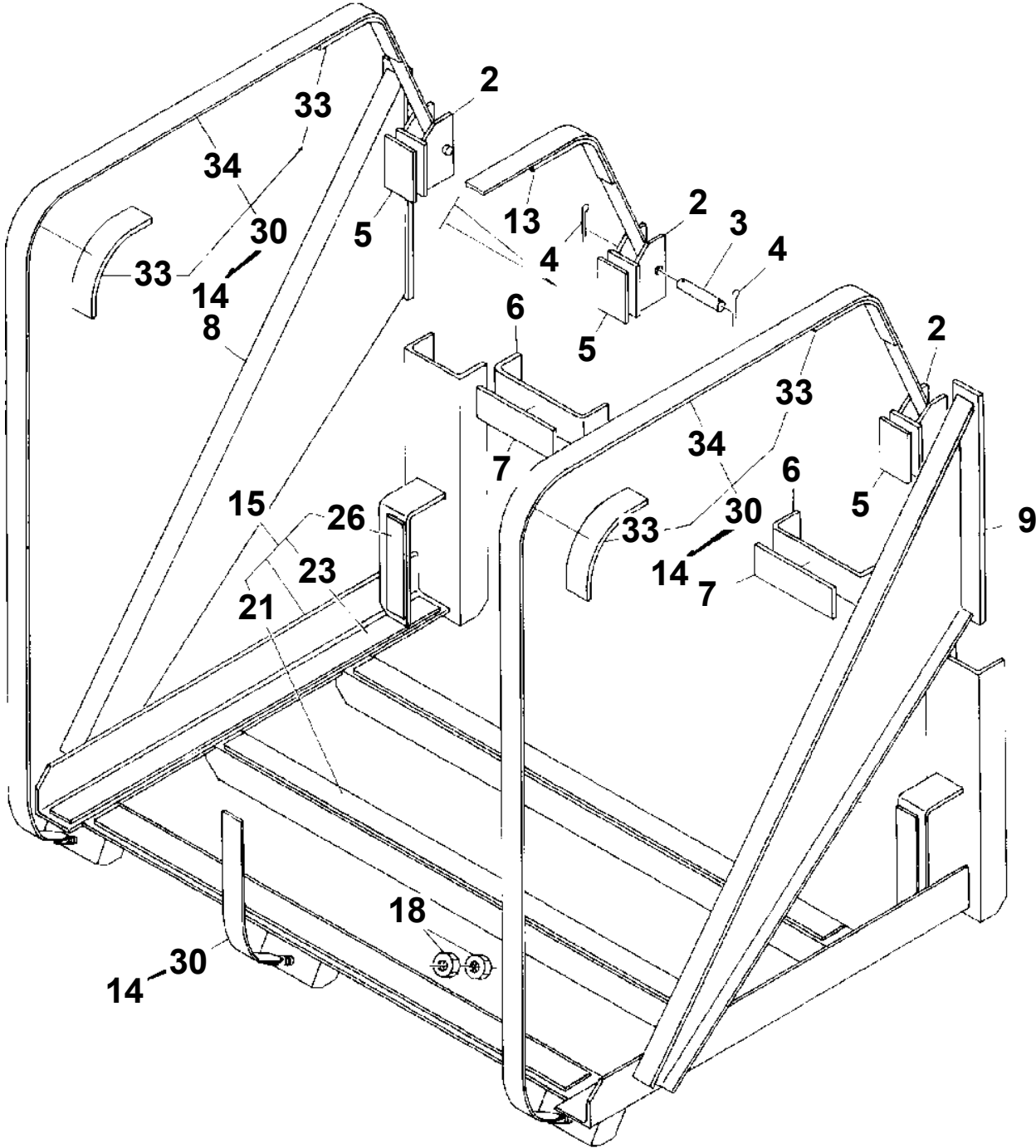
PO1020001-00 PLATE,NAME (AML)

PLATE, NAME (AML)

当 AML 労検銘板については、弊社出先サービス員経由、
御用命ください。

[組立名称一覧]より選択してください。
SEE THE CORRESPONDING "ASSEMBLY NAME" LIST.

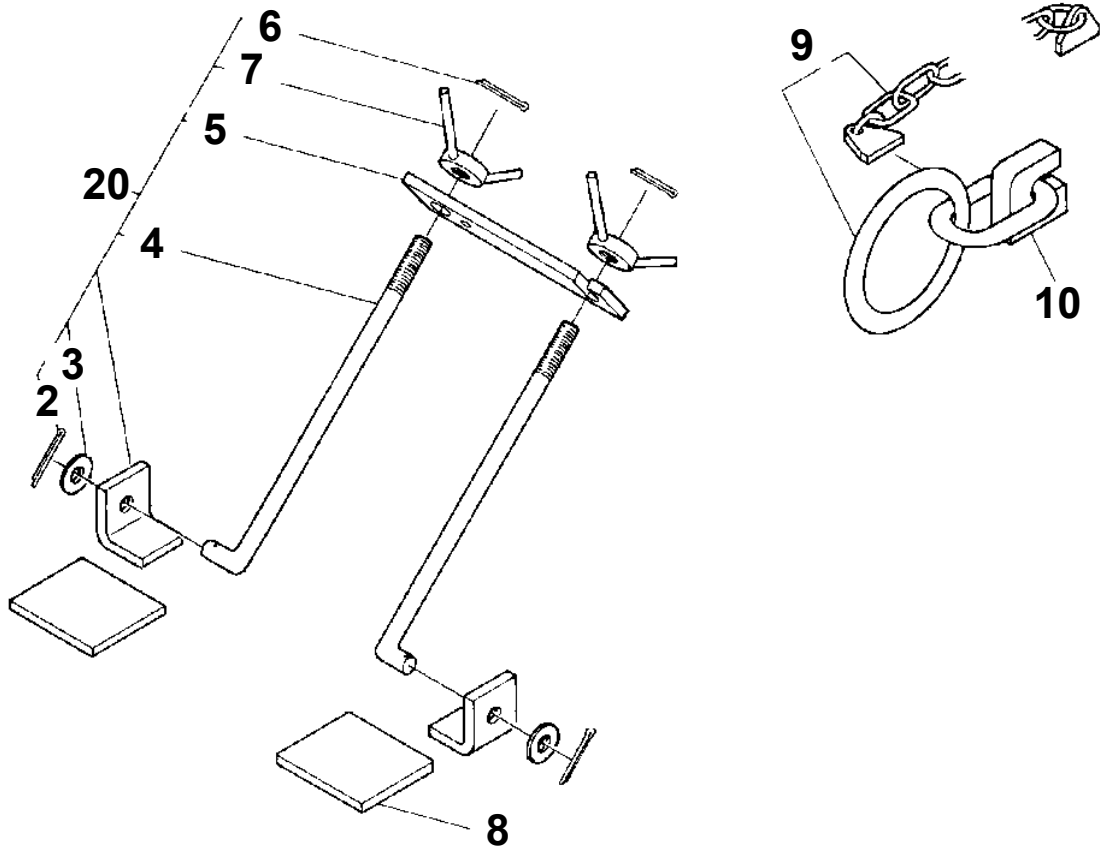
TG-600M-4-20101 5 BOOM + JIB,W-KA606U
PX1100120-01 TANK SUPPORT INSTALLATION



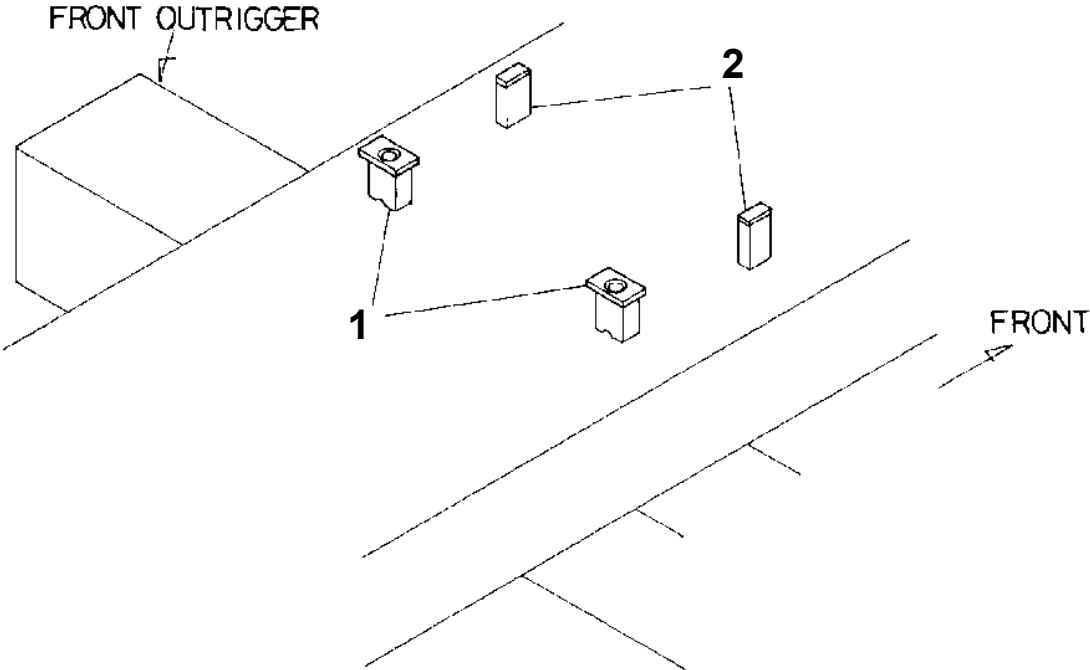
TG-600M-4-20101 5 BOOM + JIB,W-KA606U
PX1180240-00 MOUNT HOOK (MAIN)

Assembly Name MOUNT, HOOK (MAIN)

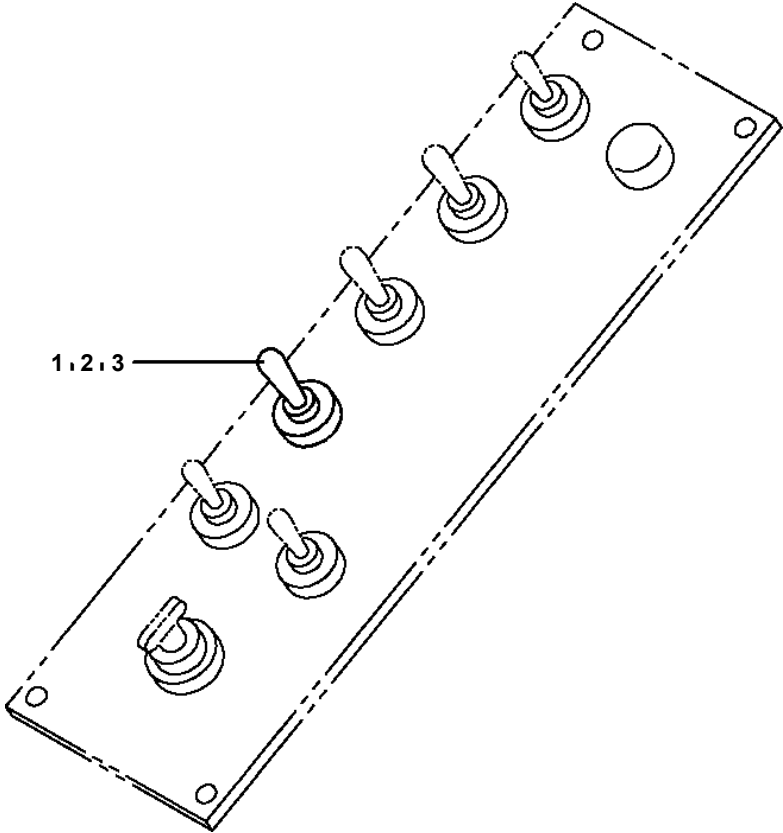
PX118-0240-00



TG-600M-4-20101 5 BOOM + JIB,W-KA606U
PX1290094-00 WEIGHT INSTALLATION



TG-600M-4-20101 5 BOOM + JIB,W-KA606U
PY1250001-00 SWITCH INSTALLATION (FAN)



CLICK HERE TO **DOWNLOAD** THE COMPLETE MANUAL

- Thank you very much for reading the preview of the manual.
- You can download the complete manual from: www.heydownloads.com by clicking the link below



- Please note: If there is no response to CLICKING the link, please download this PDF first and then click on it.

CLICK HERE TO **DOWNLOAD** THE COMPLETE MANUAL