

TR-500E-2-00202 4 BOOM + 2 JIB, 2M2D

PB1000248-01 HYDRAULIC PRESSURE GENERATING SYSTEM
PC1000188-00 OUTRIGGER SYSTEM
PD1000233-00 SWING SYSTEM
PE1000232-00 ELEVATING SYSTEM
PF1000219-01 WINCH SYSTEM
PG1000227-01 TELESCOPING SYSTEM
PH1000212-00 SAFETY DEVICES
PI1000254-01 HYDRAULIC DEVICES
PK1000241-01 FRAME
PL1000238-00 CONTROL DEVICES
PM1000032-01 LUBRICATION DEVICES
PN1000198-01 ELECTRIC EQUIPMENT
PO1000114-01 INDICATION PLATES
PQ1000074-02 DRIVING POWER GENERATING SYSTEM
PR1000047-00 DRIVING POWER TRANSMISSION SYSTEM
PS1000065-00 STEERING SYSTEM
PT1000055-00 BRAKE SYSTEM
PU1000047-00 SUSPENSION
PW1000097-02 ACCESSORIES & TOOLS
PX1000247-00 MOUNTING PARTS
PY1000216-01 OPTIONS
ASSEMBLY

CLICK HERE TO **DOWNLOAD** THE COMPLETE MANUAL

- Thank you very much for reading the preview of the manual.
- You can download the complete manual from: www.heydownloads.com by clicking the link below



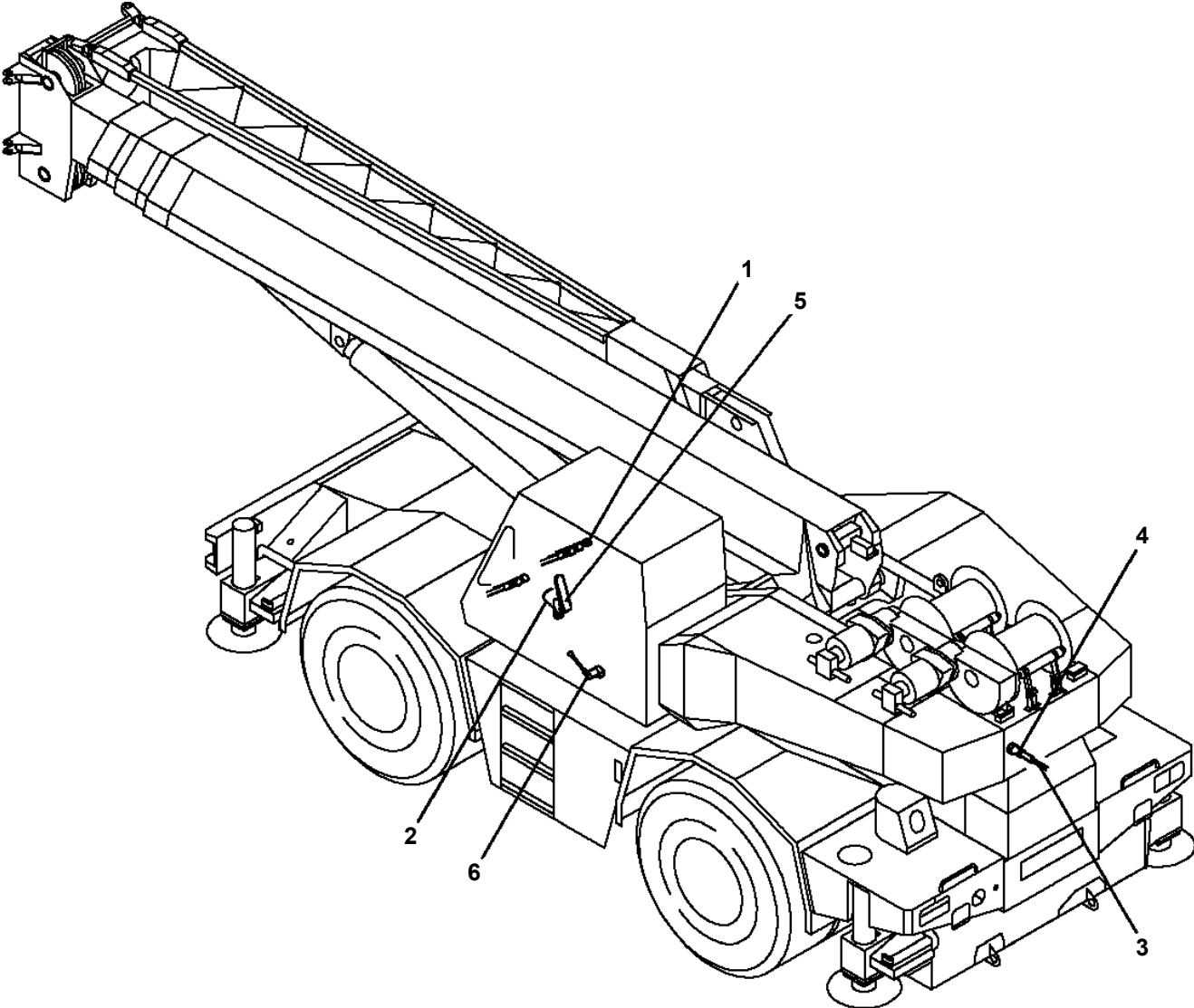
- Please note: If there is no response to CLICKING the link, please download this PDF first and then click on it.

CLICK HERE TO **DOWNLOAD** THE COMPLETE MANUAL

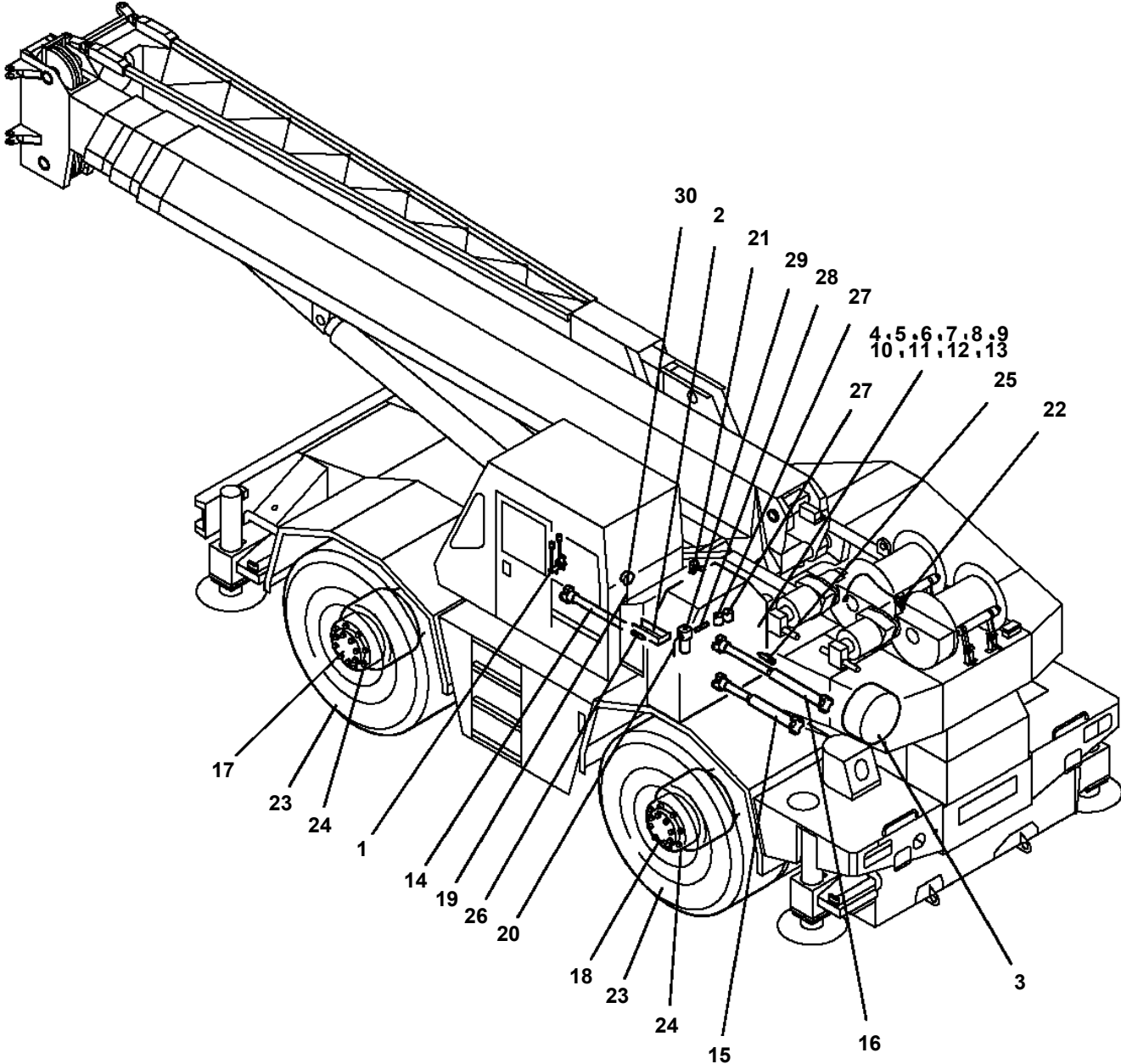
TR-500E-2-00202 4 BOOM + 2 JIB, 2M2D

Pos No.	Parts No	Parts Name	Qty	Unit	Technical Data	Serial No (Start)	Serial No
1	36070800001	WINCH	2				
	36070800002	WINCH	2			545170	545169
2	36091380000	HOOK (SHEAVE 5PC'S)	1				
3	36090870000	HOOK (AUX.,5.6TON)	1				
4	36090990000	HOOK (SHEAVE 2PC'S)	1				
5	37001800791	ROPE,WIRE	1				
6	37001800800	ROPE,WIRE	1				
7	(*****)	SOCKET,ROPE	2				
8	(*****)	OPERATION SYSTEM, WINCH BRAKE	1				
9	34310112000	BRAKE,WINCH	2				
10	36060640001	BRAKE,WINCH (DISK)	2				
11	(*****)	OPE.ASSY,DRUM LOCK (OPTION)	1				
12	(*****)	OPERATION SYSTEM, CLUTCH	1				
13	34310111000	ROLLER ASSY	2				
15	(*****)	PIPING,WINCH	1				
16	(*****)	PIPING,WINCH BRAKE	1				
17	(*****)	DETECTOR,DRUM ROTATION (MAIN.OPTION)	1				
18	(*****)	DETECTOR,DRUM ROTATION (AUX.OPTION)	1				
19	36630620000	VALVE,CLUTCH	1				
20	36672739510	JOINT,WINCH ROTARY	2				
21	(*****)	MOUNT,WINCH	1				
22	36660480000	MOTOR,HYDRAULIC	2				
23	36660500000	MOTOR,HYDRAULIC	2				
24	36601060000	VALVE,RELIEF	1				
25	36640010000	VALVE,SOLENOID	2				
26	36621330000	VALVE,CHECK	1				
27	36620080000	VALVE,CHECK	2				
28	36600920000	VALVE,COUNTERBALANCE	2				
29	36670900006	ACCUMULATOR	1				
30	36680360000	GAUGE,PRESSURE	1				
31	36601010000	VALVE,BRAKE (WINCH BRAKE)	2				
32	36601290000	BOOSTER (WINCH BRAKE)	2				

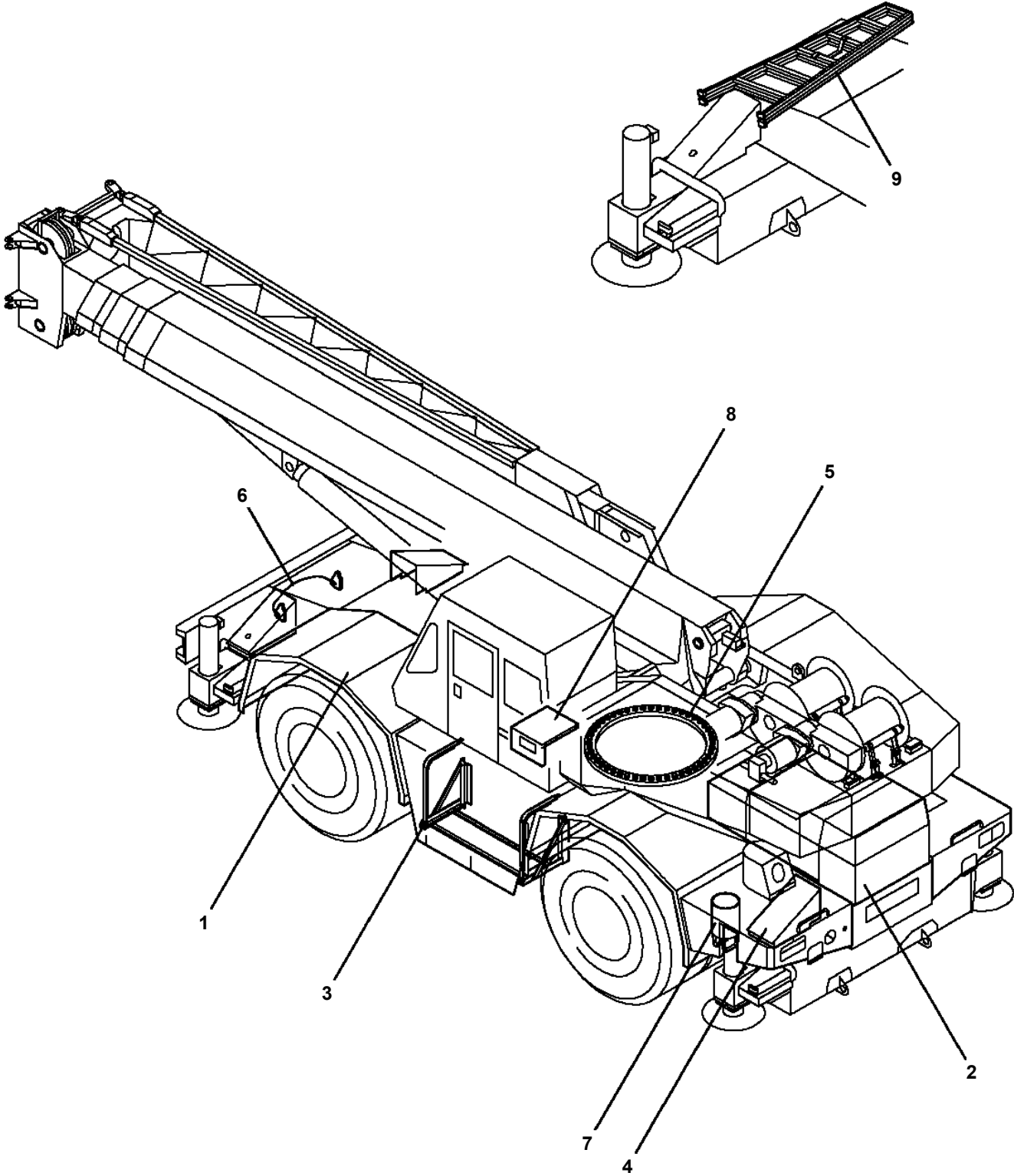
**TR-500E-2-00202 4 BOOM + 2 JIB, 2M2D
PL1000238-00 CONTROL DEVICES**



TR-500E-2-00202 4 BOOM + 2 JIB, 2M2D
PR1000047-00 DRIVING POWER TRANSMISSION SYSTEM



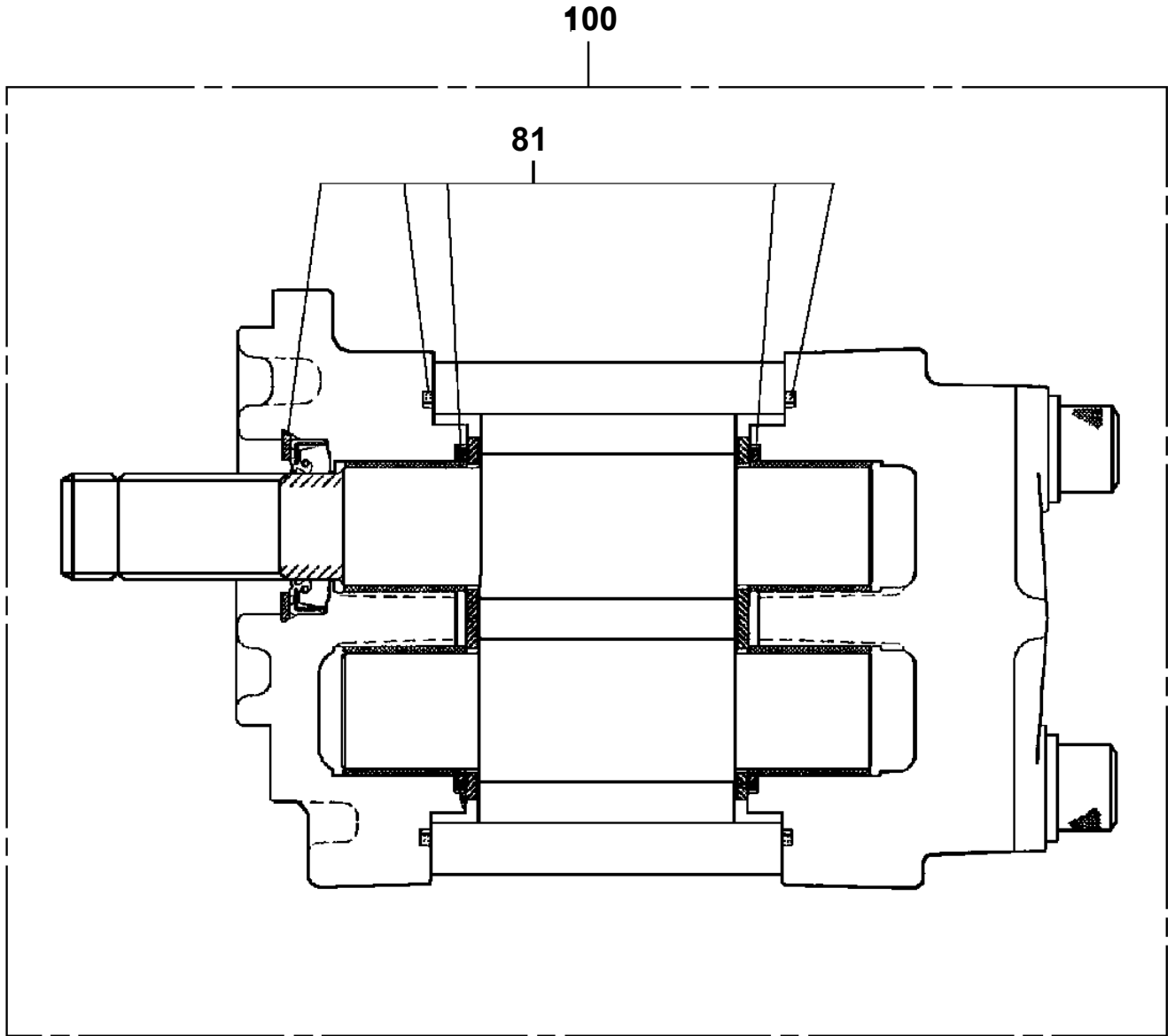
TR-500E-2-00202 4 BOOM + 2 JIB, 2M2D
PX1000247-00 MOUNTING PARTS



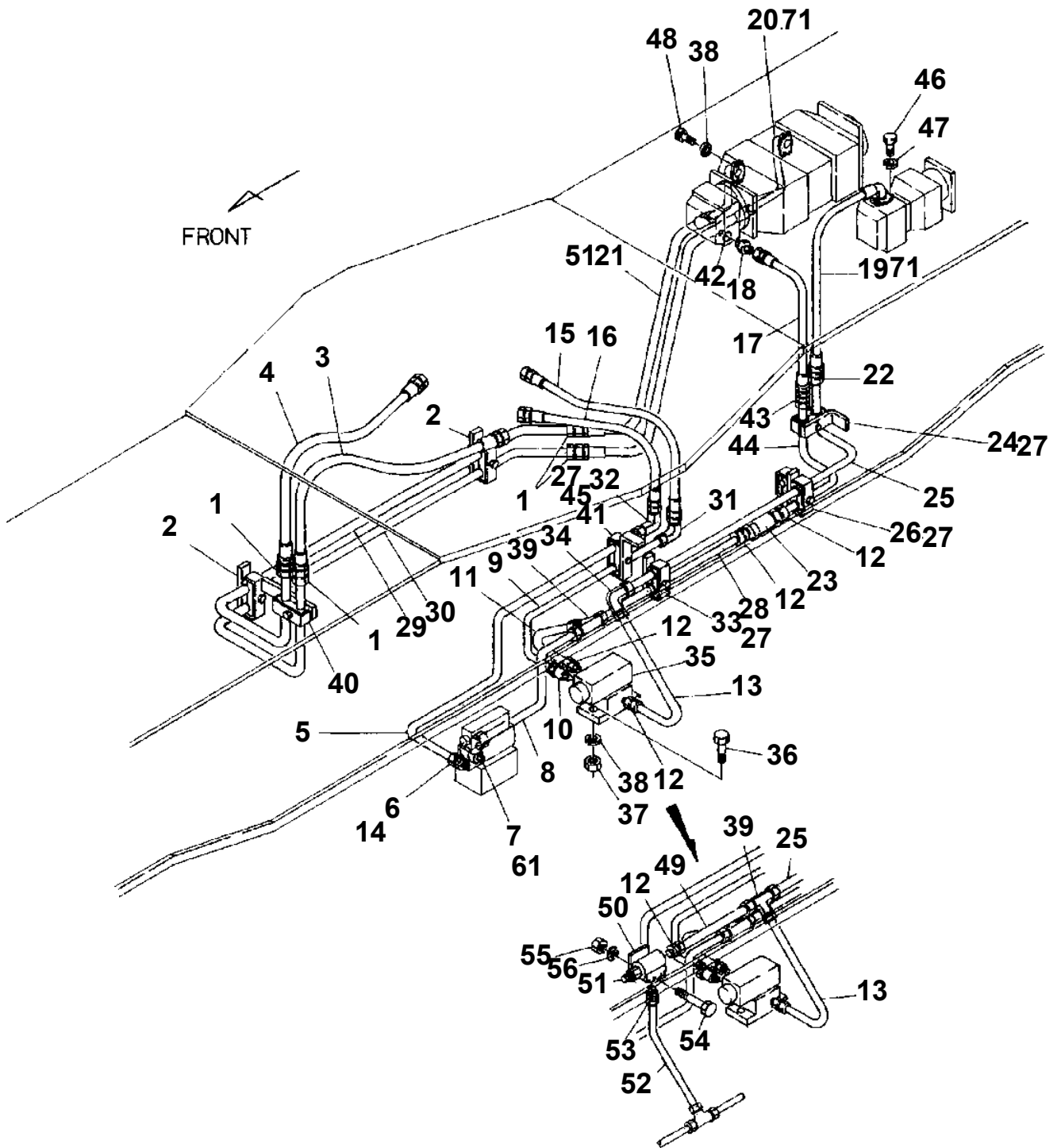
TR-500E-2-00202 4 BOOM + 2 JIB, 2M2D

Pos No.	Parts No	Parts Name	Qty	Unit	Technical Data	Serial No (Start)	Serial No (End)	Remarks
1	19225103150	COVER (FRONT)	1					
5	80602110400	RING,RITAINING	1		R40			
6	19215103030	SEAL,OIL	1					
8	80316030020	PLUG	1		PT1/8			
9	19215103040	PLATE (SIDE A)	2					
10	19215103050	PLATE (SIDE B)	2					
11	19215103060	SEAL,SHAFT	4					
12	19215103070	BEARING,NEEDLE	8					
15	19215103090	RING,SQUARE	2					
16	19215103100	SEAL,POCKET	12					
18	19215103110	BOLT,STUD	8					
19	90303071401	WASHER,PLAIN	8		14			
20	90201501400	NUT	8		M14			
24	19225103160	FRAME	1					
25	91002801600	O-RING	2		1B P16			
26	91002903000	O-RING	1		1B G30			
27	90131510035	BOLT,HEXAGON SOCKET	2		M10X35			
50	36650405010	PUMP ASSY (NO.1 35A)	1					
60	36650855010	PUMP ASSY (NO.2/35A)	1					
100	36650850000	PUMP,HYDRAULIC	1					

TR-500E-2-00202 4 BOOM + 2 JIB, 2M2D
PB1100237-00 PUMP, HYDRAULIC



TR-500E-2-00202 4 BOOM + 2 JIB, 2M2D
PB1220004-02 PIPING,DELIVERY

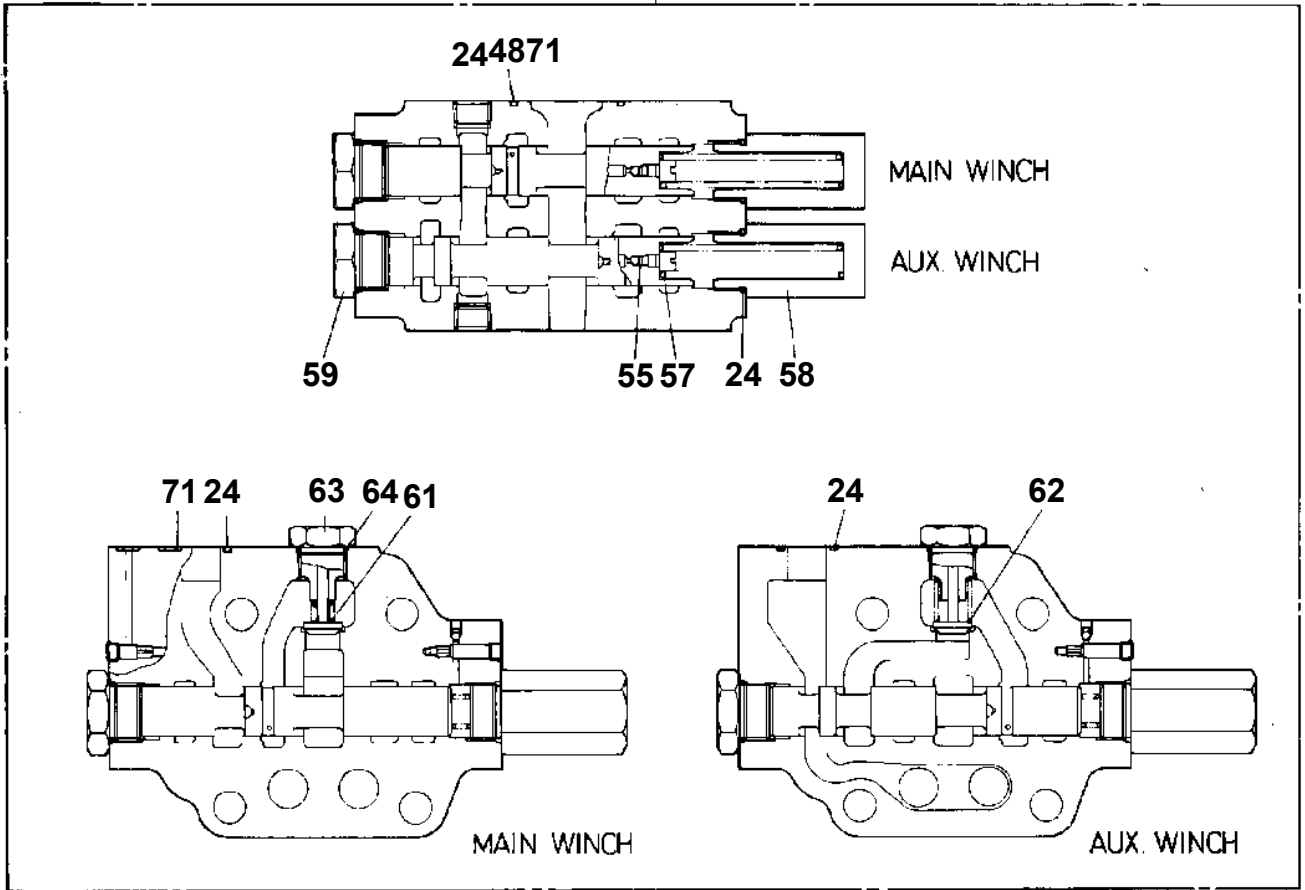


TR-500E-2-00202 4 BOOM + 2 JIB, 2M2D

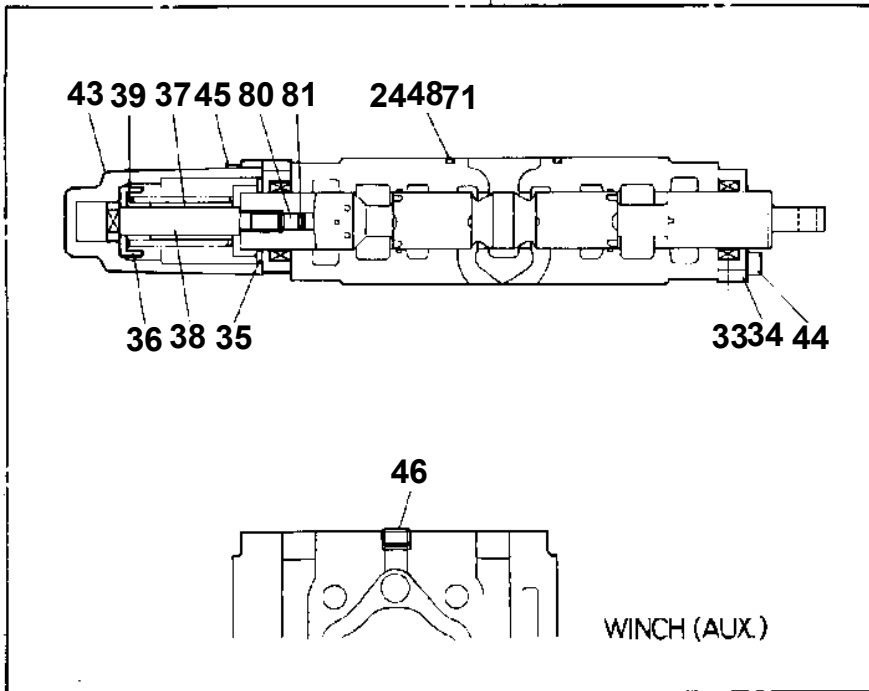
Pos No.	Parts No	Parts Name	Qty	Unit	Technical Data	Serial No (Start)	Serial No (End)	Remarks
1	37000906370	JOINT	1					
2	37000508040	PLATE	1					
3	90101212025	BOLT	6		M12X25			
4	90302041201	WASHER,SPRING	6		12			
5	91803600700	CLIP	8		D=55-70			
6	37002502980	HOSE	1		L=975			
7	37000906520	JOINT	1					
8	91002804400	O-RING	2		1B P44			
9	36620460000	VALVE,CHECK	1					
10	37002501800	HOSE	1		L=375			
11	80302090241	FITTING	1		KCO18-040N			
12	91002801800	O-RING	1		1B P18			
13	82100002019	CLAMP	2		WR40			
14	32250000080	PLATE	2					
15	90101208030	BOLT	2		M8X30			
16	90302040801	WASHER,SPRING	2		8			
17	37000514030	SUPPORT	1					
18	34340141100	JOINT	1					
19	80302010321	FITTING	2		KCT28-080N			
20	37000702260	CLAMP ASSY	1					
21	81408000341	PIPE,STEEL	2	M	28X3.1T			
22	37002406940	HOSE	1		FH11/4			
23	37002406950	HOSE	1		FH11/4			
24	37002407070	HOSE	1		FH11/4			
25	37002407080	HOSE	1		FH11/4			
26	90101510030	BOLT	16		M10X30			
27	82400000347	GROMMET	6		L=320			
28	34340141300	SUPPORT	1				545152	
	34340141500	SUPPORT	1			545153		
29	80316080080	PLUG	1		PT1/2			
30	36630700000	VALVE,MANUAL CONTROL	1					
31	81408000241	PIPE,STEEL	1	M	18X1.9T			
32	80302010240	FITTING	1					
33	90101210025	BOLT	2		M10X25			
34	90302041001	WASHER,SPRING	2		10			

TR-500E-2-00202 4 BOOM + 2 JIB, 2M2D
 PB1320461-00 VALVE, MANUAL CONTROL

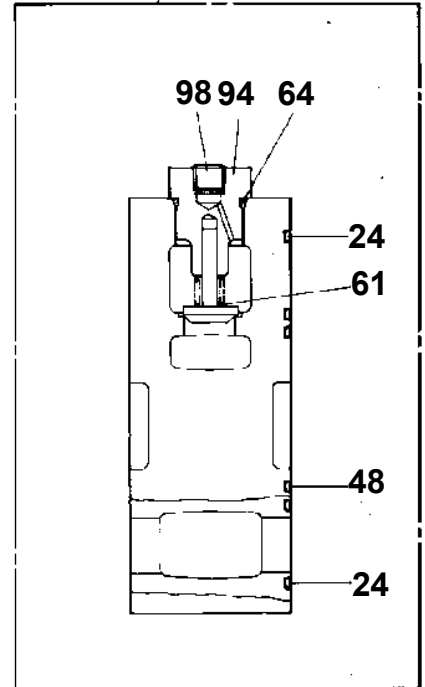
3



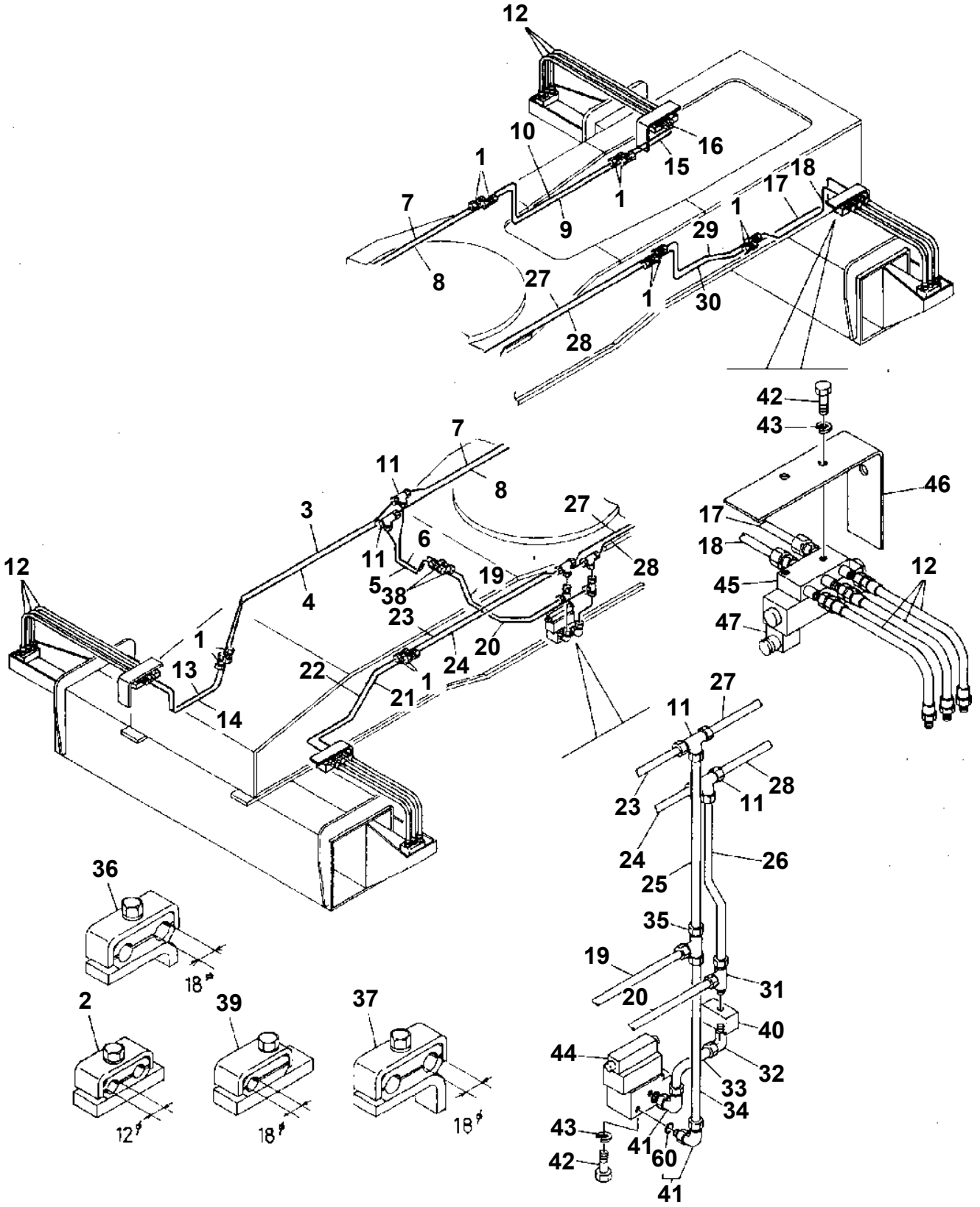
4



5



TR-500E-2-00202 4 BOOM + 2 JIB, 2M2D
PC1200341-00 PIPING,OUTRIGGER



TR-500E-2-00202 4 BOOM + 2 JIB, 2M2D

Pos No.	Parts No	Parts Name	Qty	Unit	Technical Data	Serial No (Start)	Serial No (End)	Re
313	36080155120	SPIDER	1					
314	36080155130	PIN	4					
315	36080155140	O-RING	2					
316	36080155150	GEAR	1					
317	80500006026	BEARING,BALL	1					
318	36080155160	GEAR	1					
319	36080155170	COVER,END	1					
320	36080155180	BOLT	8		M16X130			
322	80720106018	PIN,SPRING	3		6X18			
323	36080155190	PIN	3					
324	36080155200	GEAR	3					
325	36080155210	BEARING,NEEDLE (NTN)	3					
326	36080155220	WASHER	3					
327	80601110200	RING,RITAINING	3		S20			
328	36080155230	GEAR	1					
329	36080155240	PIN	2					
330	90103212040	BOLT	8					
332	36080155250	GEAR	1					
333	80601110380	RING,RITAINING	1		S38			
336	36080155260	O-RING	1					
337	90103210050	BOLT	2		M10X50			
338	36080155270	WASHER	2					
339	36080155280	WASHER	3					
340	80165106010	SCREW,MACHINE	3		M6X10			
400	36080180000	DRIVING UNIT,SWING	1					

TR-500E-2-00202 4 BOOM + 2 JIB, 2M2D

Pos No.	Parts No	Parts Name	Qty	Unit	Technical Data	Serial No (Start)	Serial No (End)	Remarks	P
1	80720105040	PIN,SPRING	1		5X40				
2	91302224000	BEARING,PLAIN	2						
3	91684024000	PACKING	2						
4	91002818500	O-RING	1		1B P185				
5	36020430100	PISTON	1						
6	36021391000	CYLINDER	1						
7	36020430401	ROD	1						
8	91002822500	O-RING	1		1B P225				
9	44260181600	PLATE	1						
10	36020430500	COVER,ROD	1						
11	36020370300	COVER,HEAD	1						
12	91251101850	RING,DAMPER	1						
13	91694018500	PACKING	1						
14	91410218501	RING,BACKUP	1						
15	91001222000	O-RING	1		1A G220				
16	91660018500	SEAL,DUST	1						
17	80622001850	RING,RITAINING	1		SP185				
18	91001114000	O-RING	2		1A P140				
19	36020439520	END,ROD	1						
20	90720008350	SCREW,SET	1		M8X35				
21	91411222001	RING,BACKUP	2						
23	82456101000	NIPPLE,GREASE	1		A-PT1/8	545143			
32	37000400140	BEARING,PLAIN	2						
35	90730010160	SCREW,SET	4		M10X16				
41	80612112050	RING,RITAINING	1		AR205		545171		
	80612112000	RING,RITAINING	1		AR200	545172			
52	36020020280	RETAINER	2						
53	36020020290	BEARING,SPHERICAL	1						
54	82100001412	TUBE,SPIRAL	1	M	SE-12BK				
55	82100000548	CONNECTOR	1						
61	82100001155	CONNECTOR	1						
90	36021409900	PACKING SET	1		185X240				
100	36021399510	CYLINDER,ELEVATING	1						

TR-500E-2-00202 4 BOOM + 2 JIB, 2M2D

Pos No.	Parts No	Parts Name	Qty	Unit	Technical Data	Serial No (Start)	Serial No (End)	Remarks
71	80562100160	WASHER,PLAIN	1		AW16			
72	36070805130	SUPPORT (SPRING)	1					
73	36070805140	BOLT	1					
74	36080235080	WASHER,SEAL	1		M16			
100	36070800002	WINCH	1					

TR-500E-2-00202 4 BOOM + 2 JIB, 2M2D

Pos No.	Parts No	Parts Name	Qty	Unit	Technical Data	Serial No (Start)	Serial No (End)	Remarks	Pages
1	37001800800	ROPE,WIRE	1						

TR-500E-2-00202 4 BOOM + 2 JIB, 2M2D

Pos No.	Parts No	Parts Name	Qty	Unit	Technical Data	Serial No (Start)	Serial No (End)	Remarks	Pa
2	36060645011	LID (A)	1						
3	36060645021	LID (B)	2						
4	36060645031	PISTON	6						
5	36060645140	SEAL,PISTON	6						
6	36060645050	RING,BOOT	6						
7	36060645062	BOOT (PISTON)	6						
8	36700135070	SCREW (BLEEDER)	2						
9	36700135080	CAP (BLEEDER)	2						
10	36060645070	BOLT	12						
11	36060645081	WASHER	12						
13	36060645091	PAD ASSY	2						
14	36060645101	PIN (ANCHOR)	4						
15	36060645110	O-RING	8						
16	36700135140	BOLT	4						
18	36060645120	PAD KIT	1						
19	36060645131	SEAL & BOOT KIT	1						
20	36060645150	SEAL	3						
50	36060640001	BRAKE,WINCH (DISK)	1						

TR-500E-2-00202 4 BOOM + 2 JIB, 2M2D

Pos No.	Parts No	Parts Name	Qty	Unit	Technical Data	Serial No (Start)	Serial No (End)	Remarks
64	80307030160	FITTING	1		KGA08-030N			
65	14115209000	PACKING	1					
66	37000601210	CLAMP	1					
67	37000601510	CUSHION	2					
68	37000300710	SLEEVE	3		12-8			
69	90202201000	NUT	2		M10			
70	37002407220	HOSE	3		L=450		545145	
	37002419090	HOSE	3		L=450	545146		
71	34340422500	COVER	2					
72	90101210025	BOLT	6		M10X25			
73	90303071001	WASHER,PLAIN	6		10			
74	34340422400	STOPPER	2					
76	90303070801	WASHER,PLAIN	4		8			
77	37000910690	JOINT	1					
78	80306010060	NUT	1		KKN08-000N			
79	80309010060	SLEEVE	1					
80	36680360000	GAUGE,PRESSURE	1					
81	80172304010	SCREW,MACHINE	4		M4X10			
82	90302040401	WASHER,SPRING	4		4			
83	90101208020	BOLT	4		M8X20			
101	91002801100	O-RING	2		1B P11			
102	91000521900	O-RING	4		AS568-219-1B			
103	91000522200	O-RING	4		AS568-222-1B			

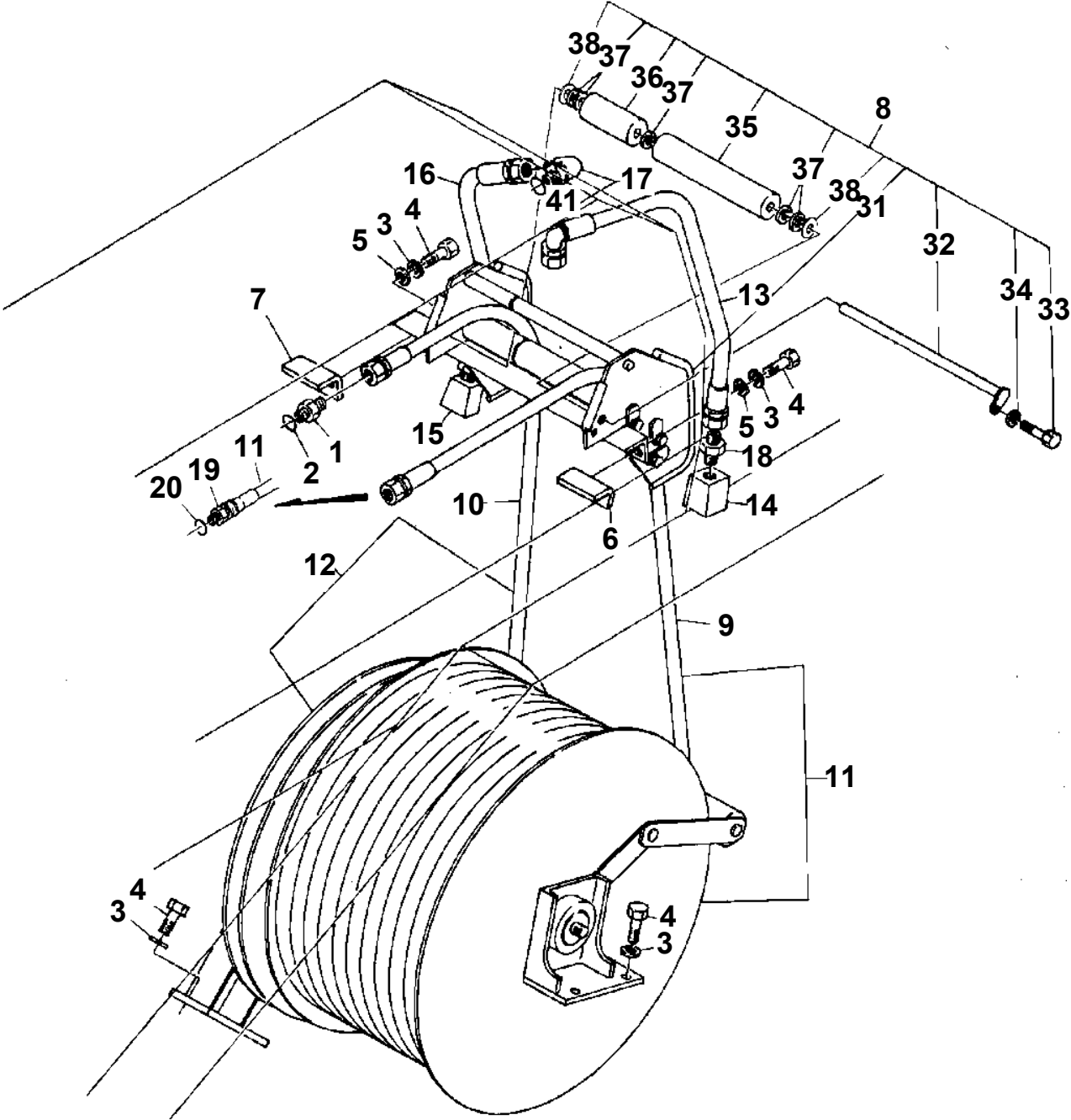
TR-500E-2-00202 4 BOOM + 2 JIB, 2M2D

Pos No.	Parts No	Parts Name	Qty	Unit	Technical Data	Serial No (Start)	Serial No (End)	Remarks	P
1	36672739510	JOINT,WINCH ROTARY	1						

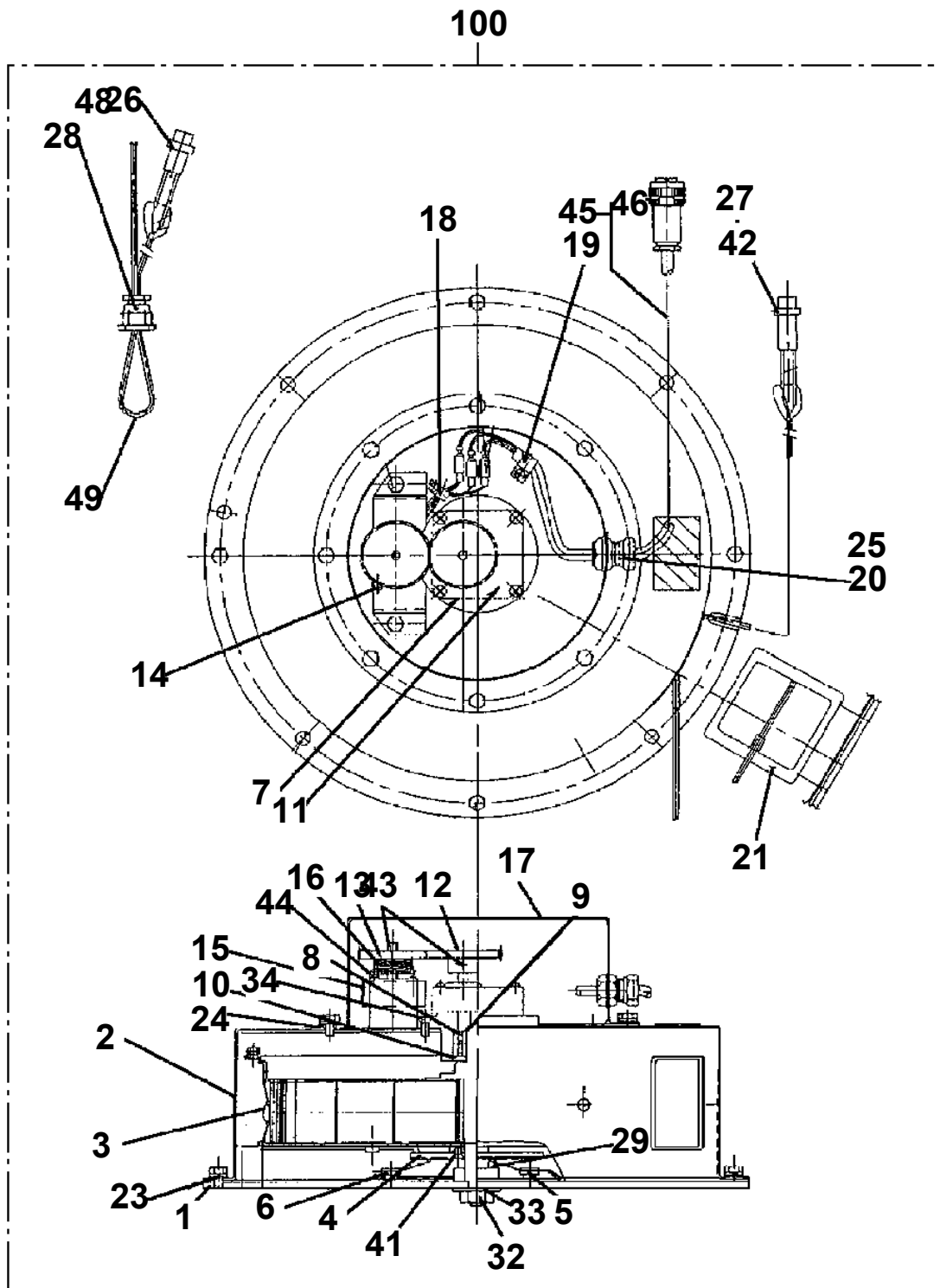
TR-500E-2-00202 4 BOOM + 2 JIB, 2M2D

Pos No.	Parts No	Parts Name	Qty	Unit	Technical Data	Serial No (Start)	Serial No (End)	Remarks
1	34220109520	JIB,2	1					
2	37000200540	PIN,SNAP	2		D=25			
3	37000110590	PIN	2					
4	33220000050	STOPPER	2					
5	34220109510	JIB,1	1					
6	34220103000	SUPPORT	1					
7	37000112000	PIN	4					
8	37000200010	PIN,SNAP	4					
9	33220000060	PIN ASSY	1					
10	33220000260	STOPPER	1					
11	37001000240	SHEAVE ASSY	1					
12	90101210016	BOLT	1		M10X16			
13	90302041001	WASHER,SPRING	1		10			
14	16511305000	PIN	1					
15	16511311000	SPACER	2					
17	33220000080	PLATE	16					
18	37000112880	PIN	2					
19	37000200040	PIN,SNAP	2					
20	33220000070	LINK	2					
21	37000300260	PLATE	4		T=0.6			
22	37000300270	PLATE	4		T=1.0			
23	37000300280	PLATE	4		T=2.0			
24	37000109400	PIN	2					
25	90303073901	WASHER,PLAIN	4		39			
26	80136360070	PIN,SPLIT	8					
27	37001000420	SHEAVE ASSY	1					
28	80601110900	RING,RITAINING	1		S90			
29	37000101580	PIN	1					
30	37001100080	ROLLER ASSY	1					
31	37000100450	PIN	1					
32	80601110450	RING,RITAINING	2		S45			
33	37002000010	PLATE,SLIDE	6					
34	33220000110	PLATE	6		T=6			
35	33220000120	SHIM	18		T=1			
36	33220000130	SHIM	6		T=0.6			
37	34220090100	SUPPORT	1					
38	90101512022	BOLT	12		M12X22			
39	90302041201	WASHER,SPRING	13		12			
40	37000107780	PIN	1					
41	80601110500	RING,RITAINING	2		S50			
42	33220002180	SPACER	2					
43	37001101170	ROLLER ASSY	1					
44	37000100430	PIN	1					
45	34220103101	SUPPORT	1					
46	37000100570	PIN	1					
47	33220000170	PLATE	1					
48	34220103201	SUPPORT ASSY	1					
49	33220000090	STOPPER	2					
50	34220071000	SUPPORT	1					
51	34220103400	SUPPORT ASSY	1					
52	34220103600	SUPPORT	1					
53	34220103700	SUPPORT	1					
54	34220090800	SUPPORT	1					
55	33220000220	STOPPER	1					
56	90303074501	WASHER,PLAIN	4		45			
57	37000100420	PIN	2		D=45,L=110			
58	33220000270	STOPPER	2					
59	33220033710	STOPPER	1					
60	37000200010	PIN,SNAP	1					
61	14117513000	PIN,SNAP	1					
62	34220072000	STOPPER	2					
72	14121851000	PIN (STOPPER)	1					
73	16311309000	SPRING	1					

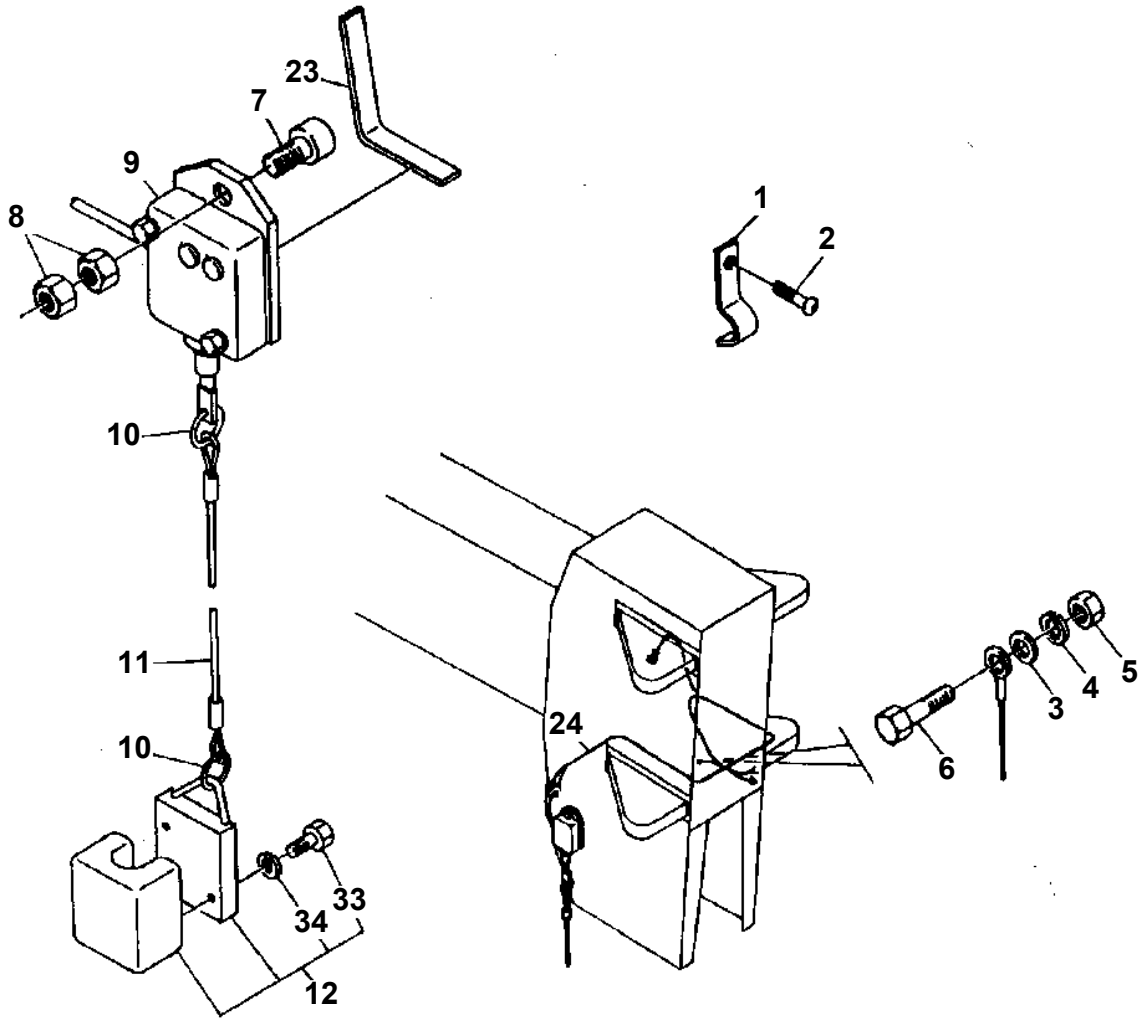
TR-500E-2-00202 4 BOOM + 2 JIB, 2M2D
PG1070291-02 REEL,HOSE



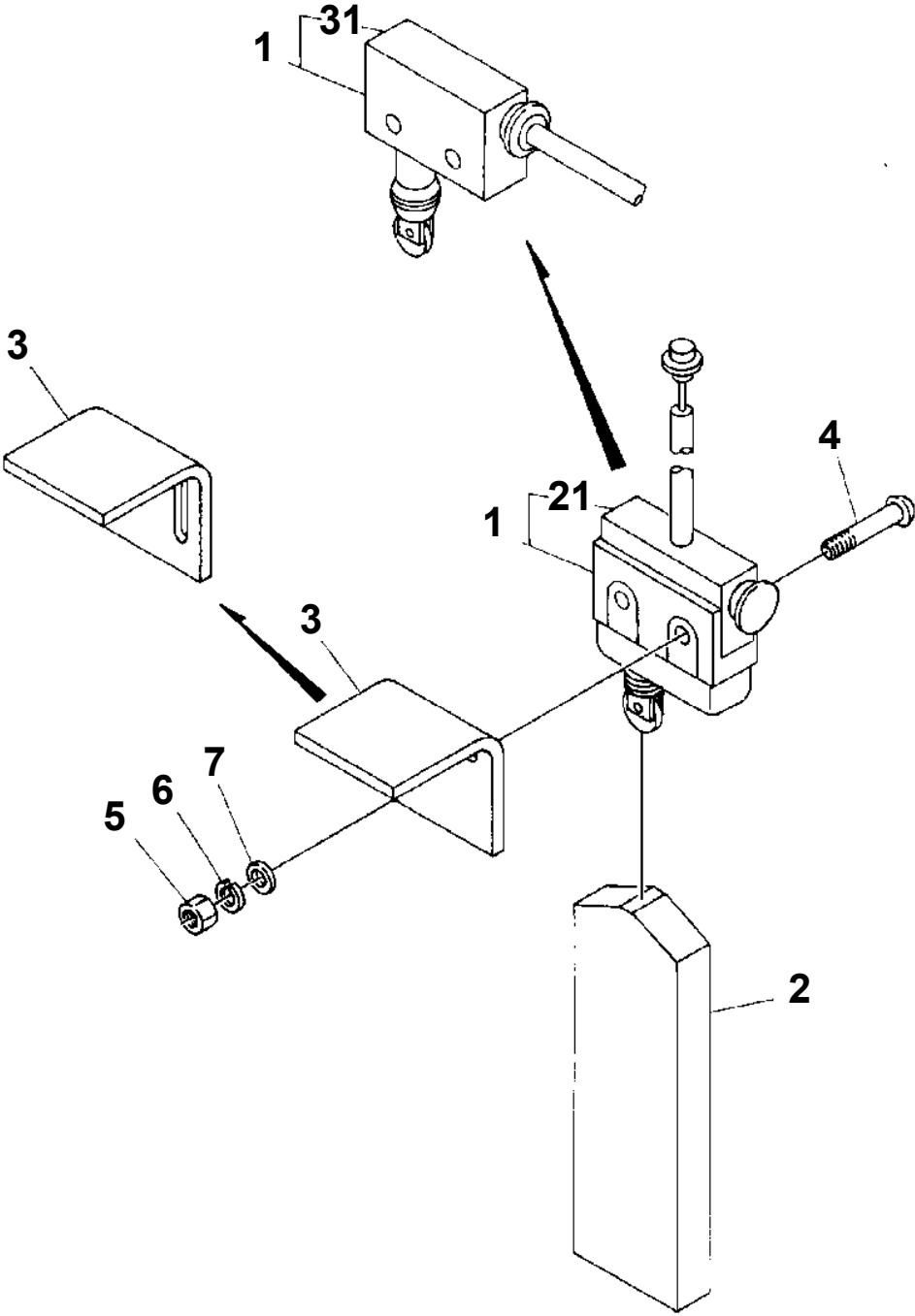
TR-500E-2-00202 4 BOOM + 2 JIB, 2M2D
PG1130101-00 DETECTOR,BOOM LENGTH



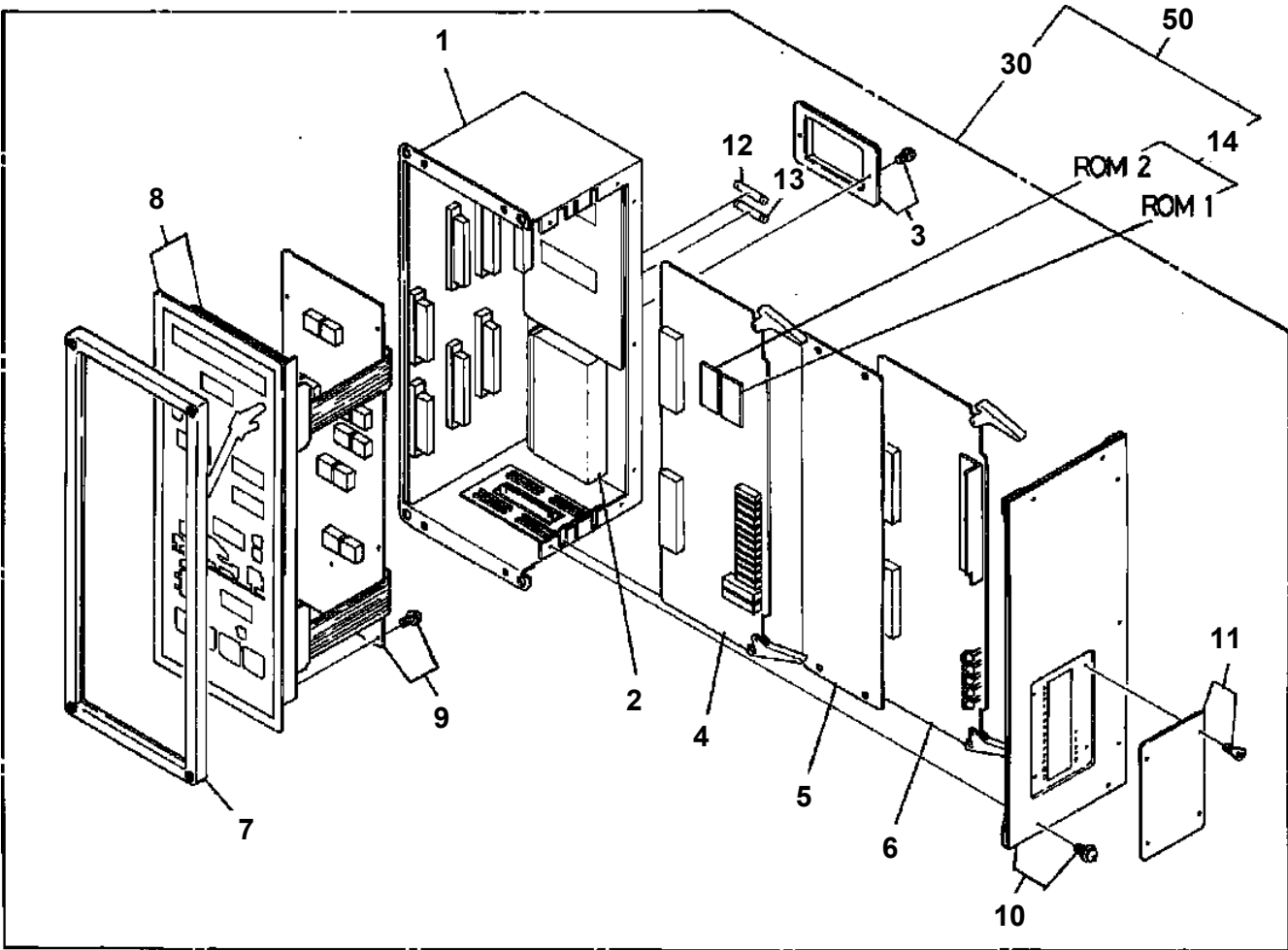
TR-500E-2-00202 4 BOOM + 2 JIB, 2M2D
PH1060002-01 DETECTOR, OVER WIND (BOOM)



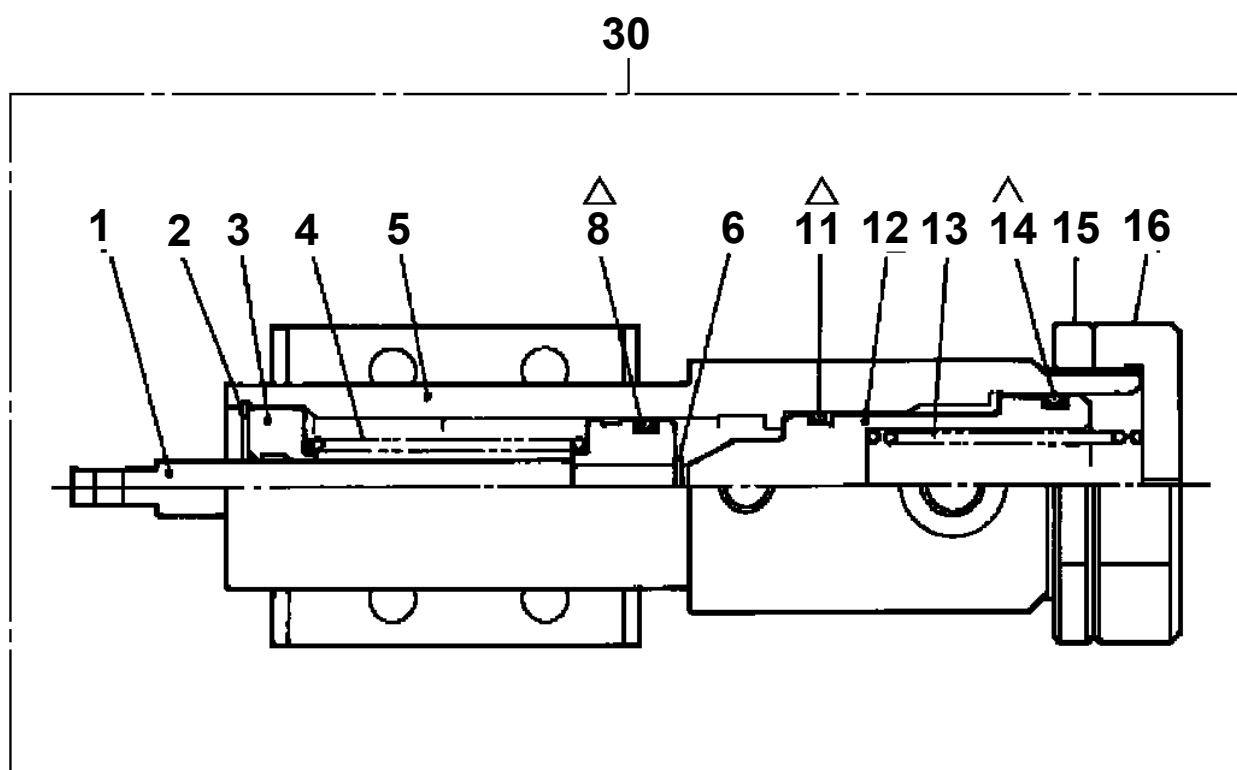
TR-500E-2-00202 4 BOOM + 2 JIB, 2M2D
PH1100003-02 DETECTOR, OVER FRONT AREA



TR-500E-2-00202 4 BOOM + 2 JIB, 2M2D
PH1250008-01 MOMENT LIMITER (AML-M1)

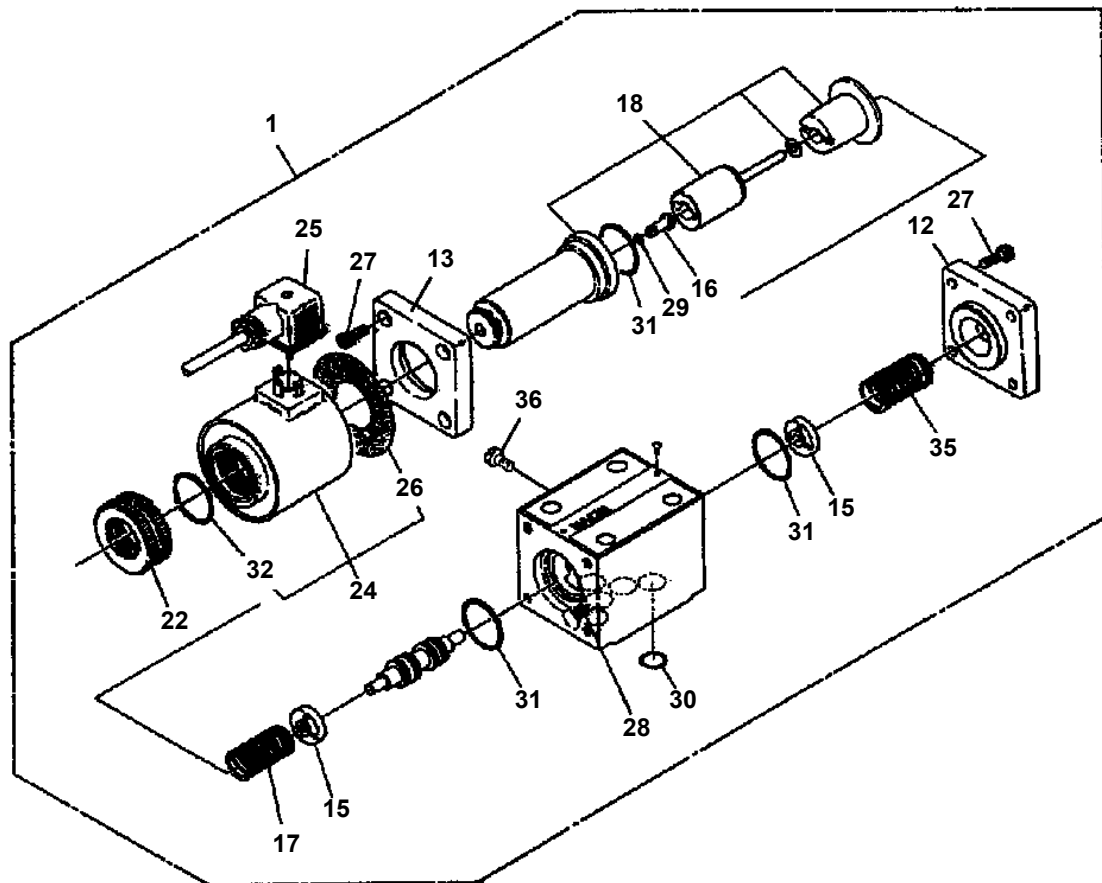
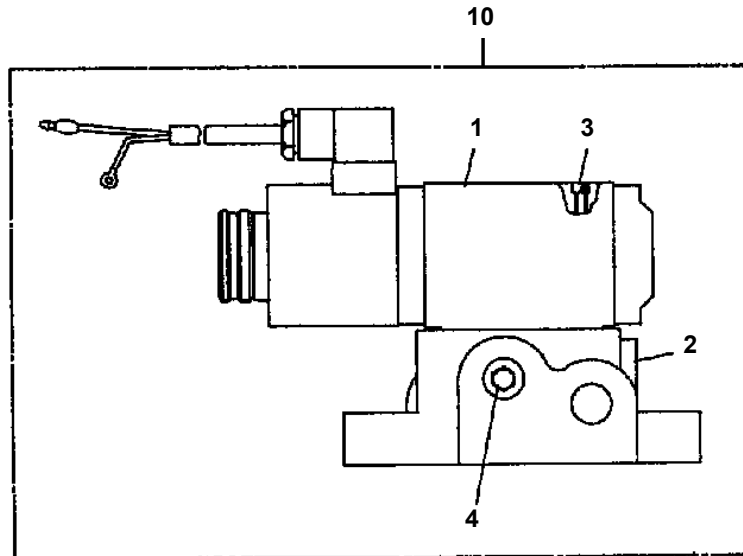


TR-500E-2-00202 4 BOOM + 2 JIB, 2M2D
PI1040004-01 CYLINDER,AIR

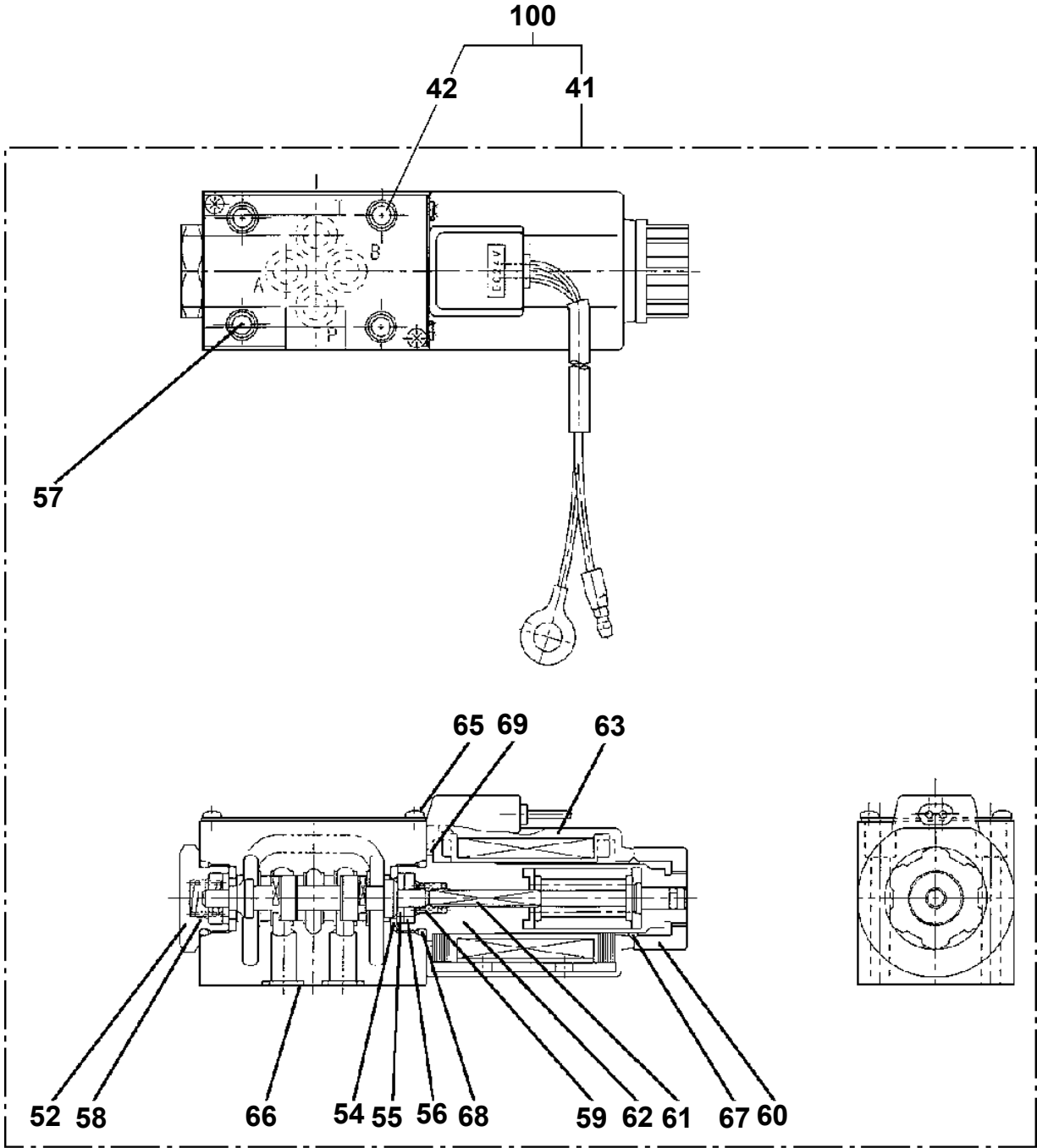


△: PACKING SET KEY NO40 (KEY NO. 8, 11, 14)

TR-500E-2-00202 4 BOOM + 2 JIB, 2M2D
PI1120002-01 VALVE,SOLENOID

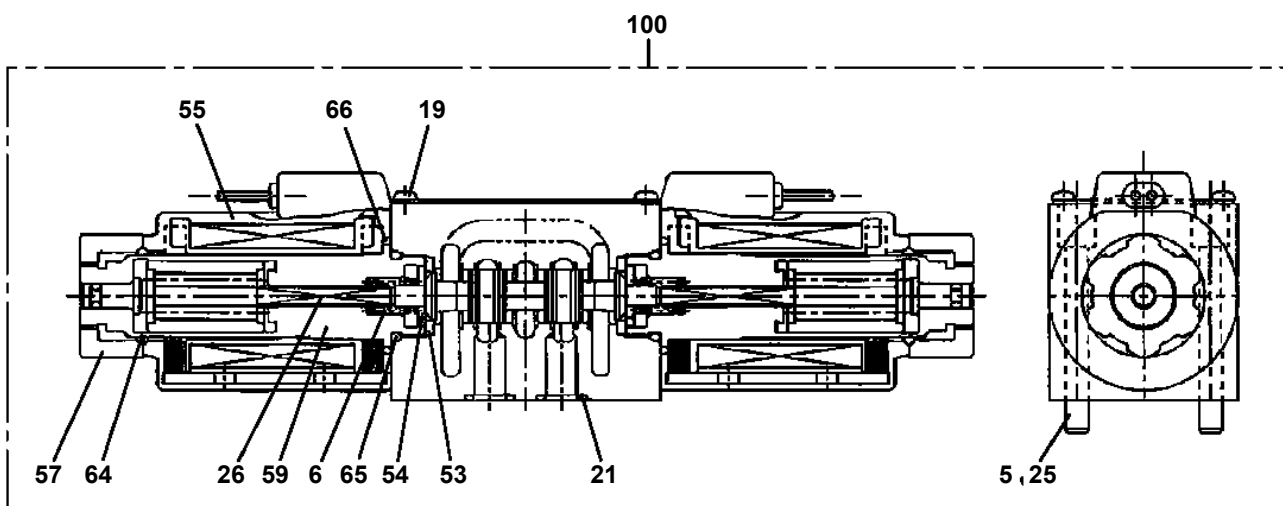


**TR-500E-2-00202 4 BOOM + 2 JIB, 2M2D
PI1120025-01 VALVE,SOLENOID**



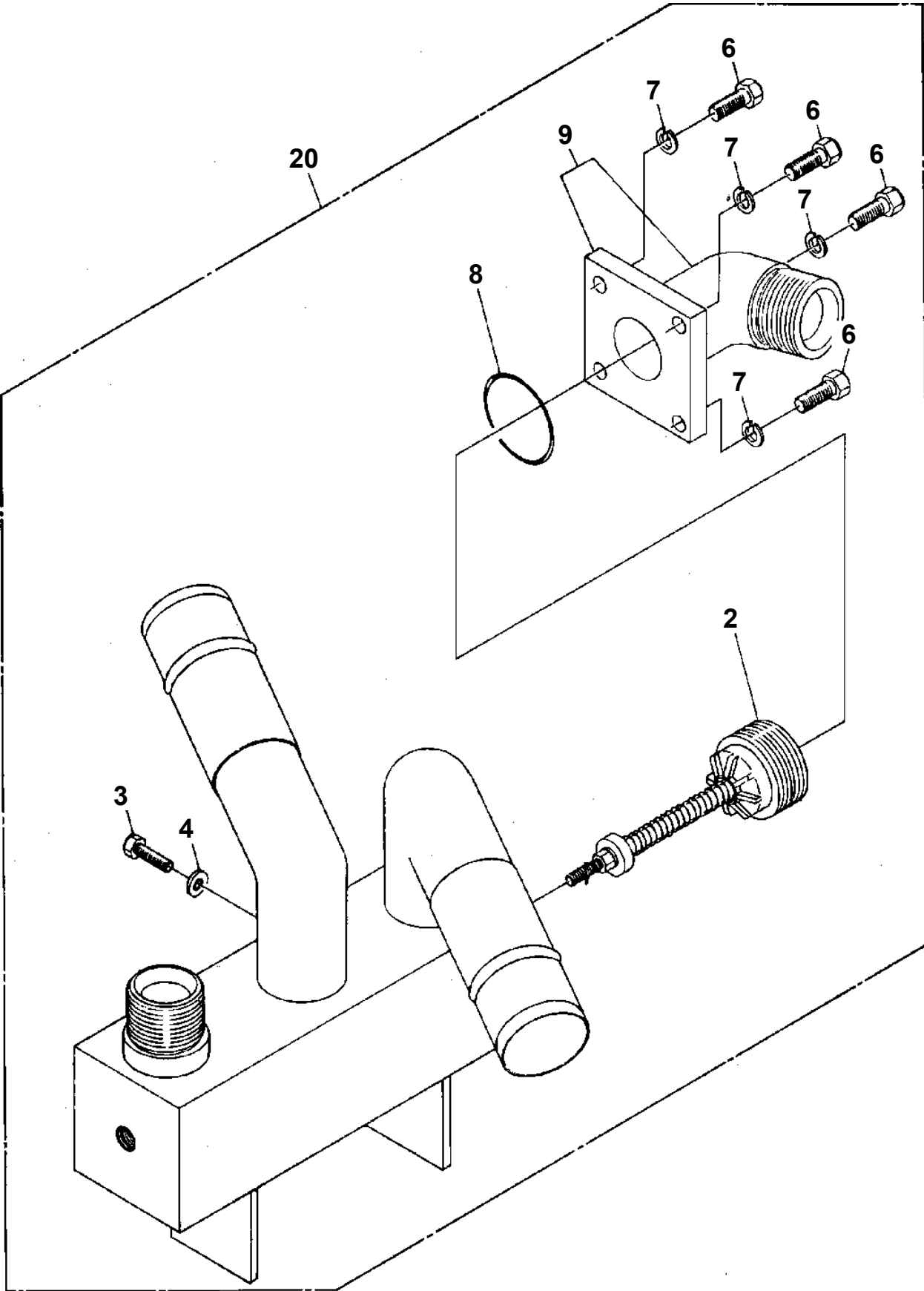
(A)

TR-500E-2-00202 4 BOOM + 2 JIB, 2M2D
PI1120135-05 VALVE,SOLENOID (NACHI)

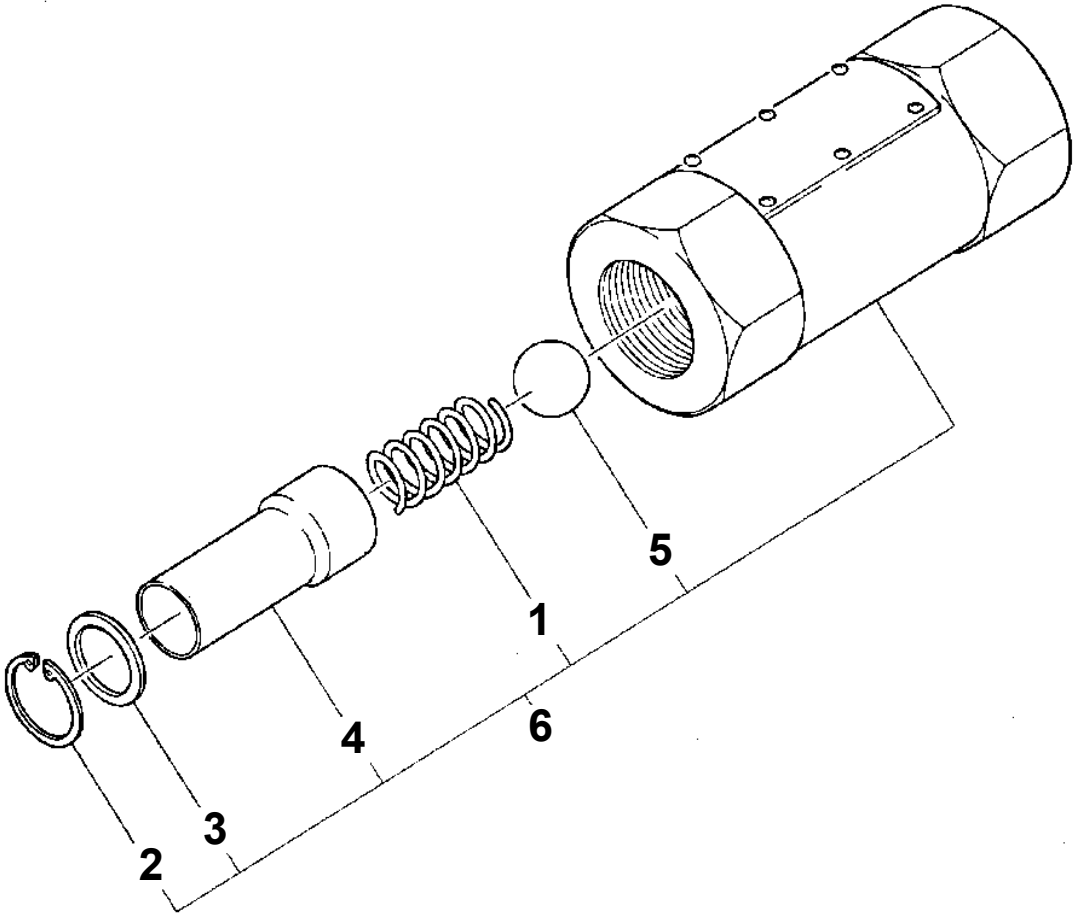


A

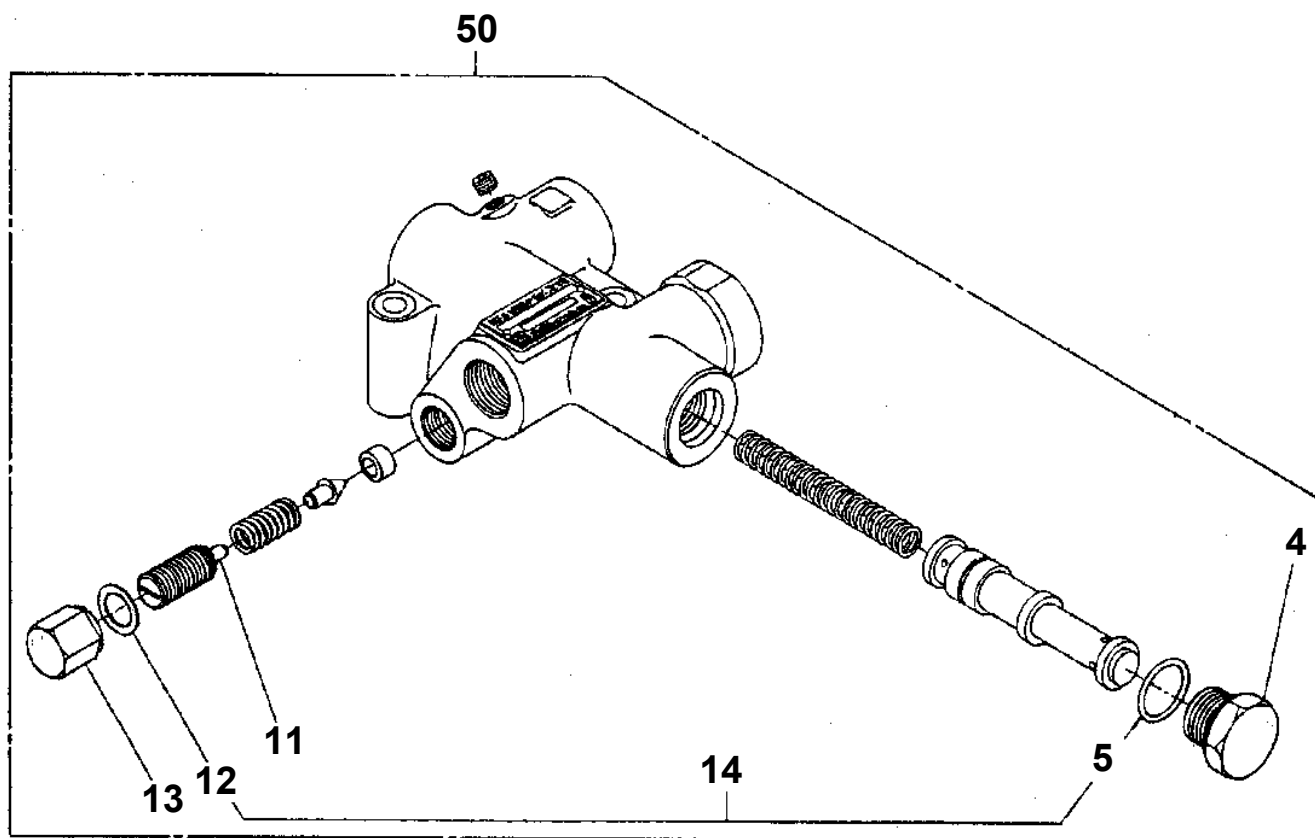
TR-500E-2-00202 4 BOOM + 2 JIB, 2M2D
PI1140005-00 VALVE,CHECK



TR-500E-2-00202 4 BOOM + 2 JIB, 2M2D
PI1140031-00 VALVE,CHECK

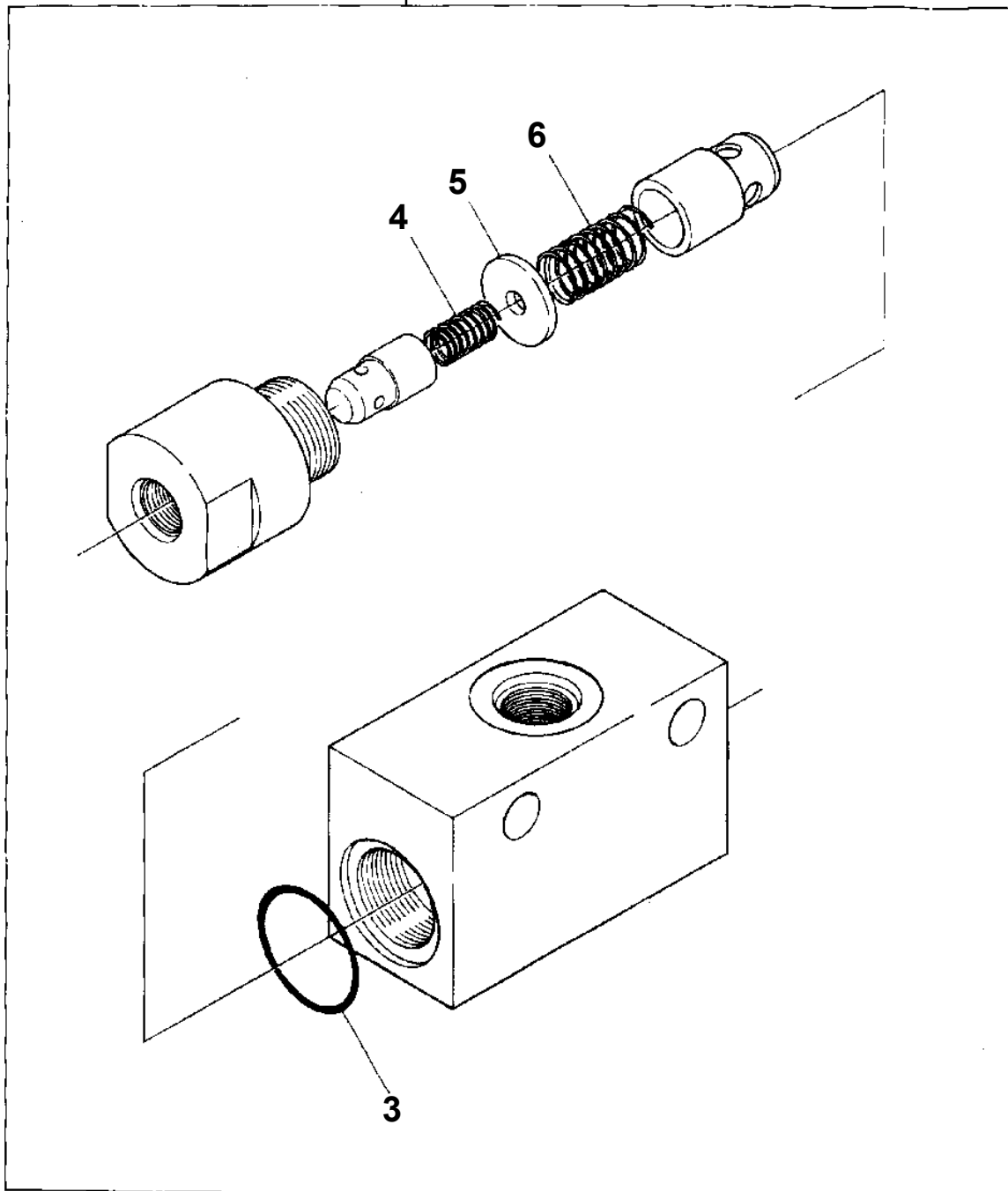


TR-500E-2-00202 4 BOOM + 2 JIB, 2M2D
PI1160000-00 VALVE, FLOW CONTROL



TR-500E-2-00202 4 BOOM + 2 JIB, 2M2D
PI1230030-01 VALVE,SHUTTLE (OPTION)

20



CLICK HERE TO **DOWNLOAD** THE COMPLETE MANUAL

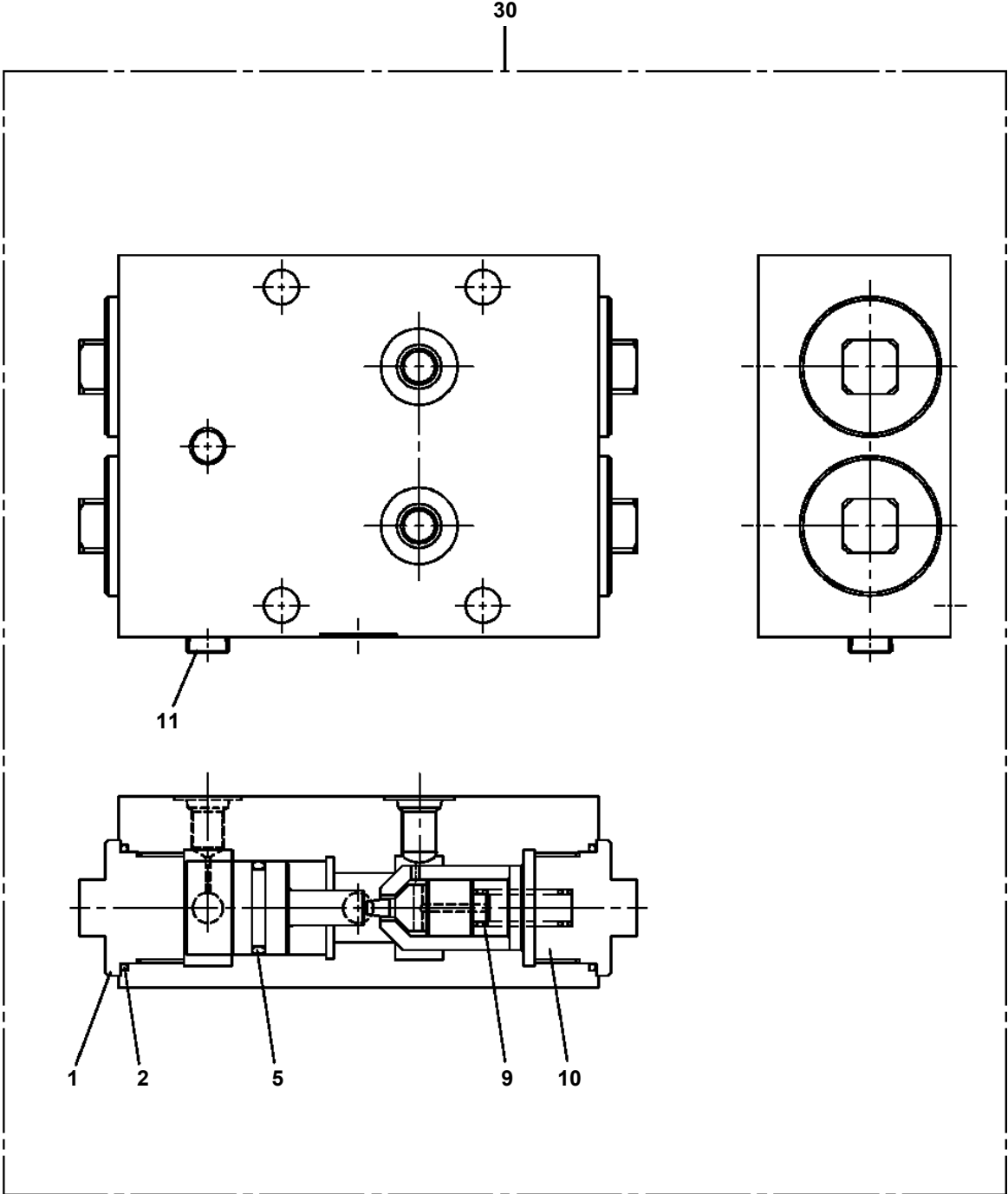
- Thank you very much for reading the preview of the manual.
- You can download the complete manual from: www.heydownloads.com by clicking the link below



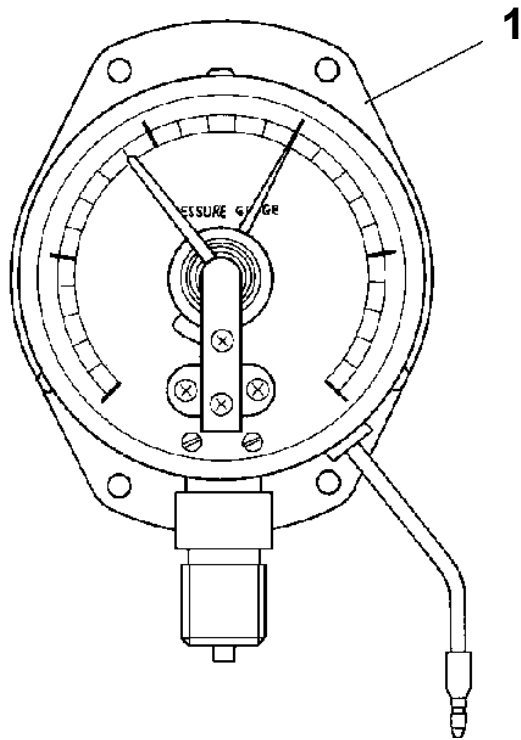
- Please note: If there is no response to CLICKING the link, please download this PDF first and then click on it.

CLICK HERE TO **DOWNLOAD** THE COMPLETE MANUAL

TR-500E-2-00202 4 BOOM + 2 JIB, 2M2D
PI1280065-00 VALVE,PILOT CHECK



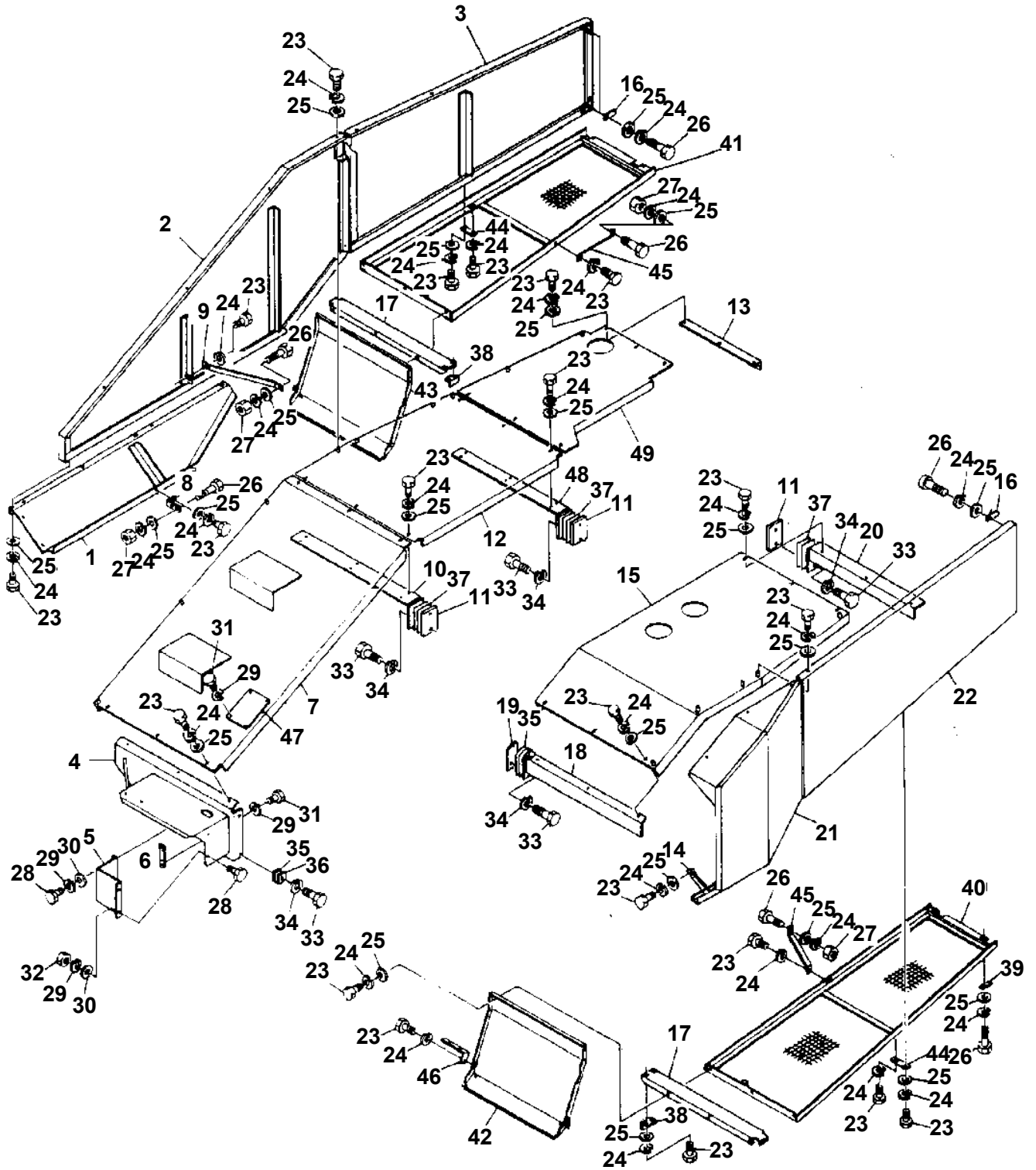
TR-500E-2-00202 4 BOOM + 2 JIB, 2M2D
PI1420001-01 GAUGE,PRESSURE



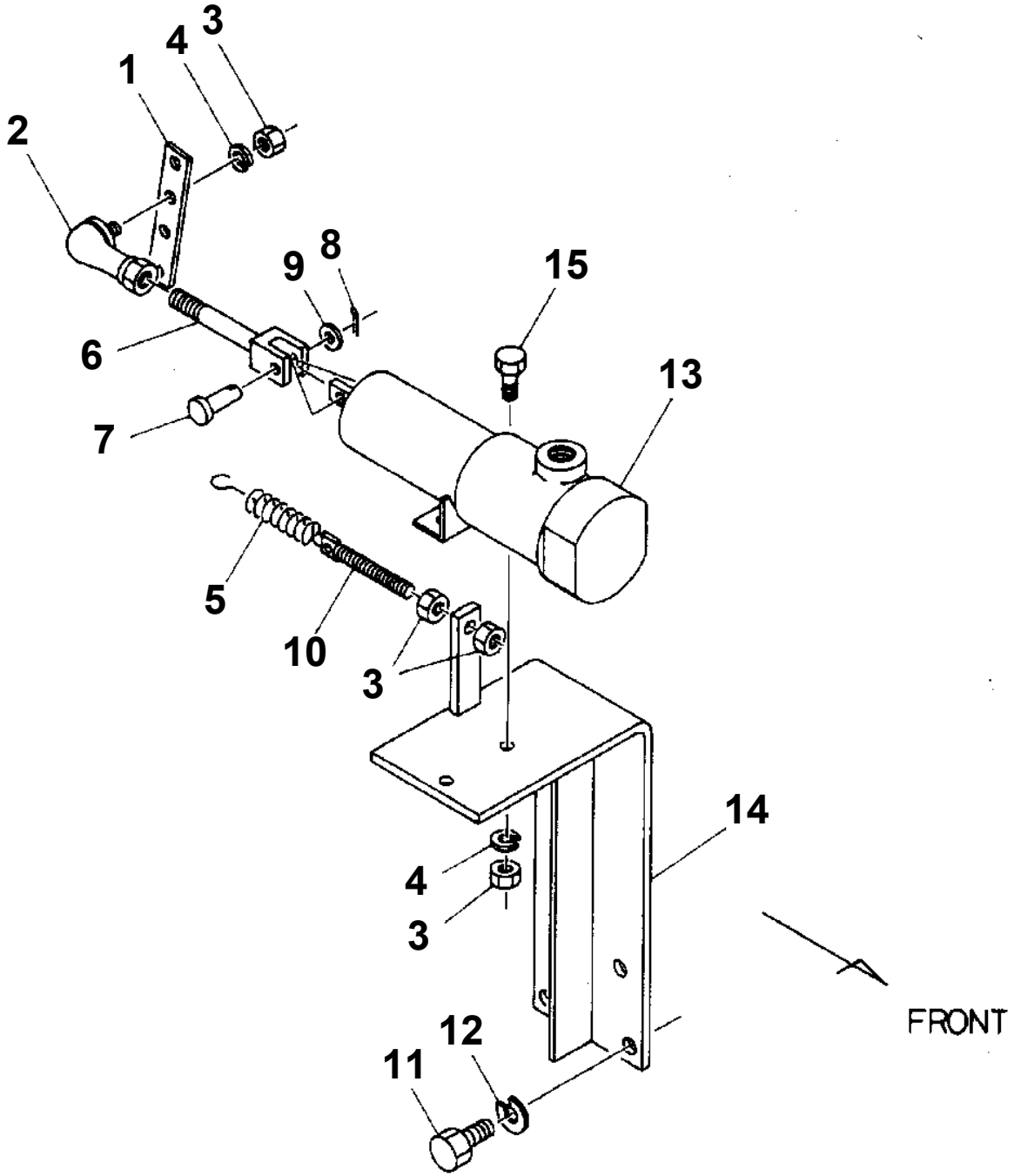
TR-500E-2-00202 4 BOOM + 2 JIB, 2M2D

Pos No.	Parts No	Parts Name	Qty	Unit	Technical Data	Serial No (Start)	Serial No (End)
1	90101210020	BOLT	20		M10X20		
2	90302041001	WASHER,SPRING	20		10		
3	90303071001	WASHER,PLAIN	8		10		
4	34250020100	SUPPORT	2				
5	80192484016	SCREW,MACHINE	4		M4X16		
10	90302040601	WASHER,SPRING	10		6		
11	80182406014	SCREW,MACHINE	26		M6X14		545186
	80182406014	SCREW,MACHINE	24		M6X14	545187	
12	90303360601	WASHER,PLAIN	20		6		545186
	90303360601	WASHER,PLAIN	18		6	545187	
13	90302350601	WASHER,SPRING (6)	26				545186
	90302350601	WASHER,SPRING (6)	24			545187	
14	34250630100	PANEL	1				
15	80192485014	SCREW,MACHINE (WITH WASHER)	20		M5X14		
16	34250190200	GUIDE	1				
17	82400000180	TRAY,ASH	1				
18	34250022000	LEVEL	1				545191
	34250901700	LEVEL	1			545192	
19	34250020501	GUIDE	1				
20	34250630300	COVER	1				
21	34250000030	COVER	1				
22	34250761000	SUPPORT	1				545191
	34250761001	SUPPORT	1			545192	
23	34250020800	SUPPORT	2				
24	34250020900	COVER	1				
25	34250190500	SUPPORT	1				
26	34250632000	BOX	1				
27	34250631100	COVER	1				
28	34250570100	SEAT ASSY	1				
29	34250190400	BOX	1				
30	80182306014	SCREW,MACHINE	6		M6X14		
31	90303070601	WASHER,PLAIN	10		6		
32	90101208016	BOLT	6		M8X16		
33	90302040801	WASHER,SPRING	6		8		
34	34250021700	SUPPORT	2				
35	90101206014	BOLT	4		M6X14		
36	34250021500	COVER	1				
37	34250000430	PLATE	1				
38	90201200500	NUT	3		M5		545191
	90203240500	NUT	3		M5	545192	
39	90240200500	NUT,CAP	3		M5		545191
	90240240500	NUT,CAP	3		M5	545192	
40	90303360501	WASHER,PLAIN	3		5		
41	37001200180	SPRING	3				
42	34250630200	COVER	1				
51	82400000303	LEVEL	1				545191
52	34250022100	SUPPORT	1				545191
53	90302040601	WASHER,SPRING	1		6		545191
54	90102206025	BOLT	1		M6X25		545191
65	34250577510	SEAT	1				
67	34250367520	ADJUSTER ASSY (VERTICAL)	1				
68	34250127520	SEAT	1				
91	34250577520	ADJUSTER (RECLINING LH)	1				

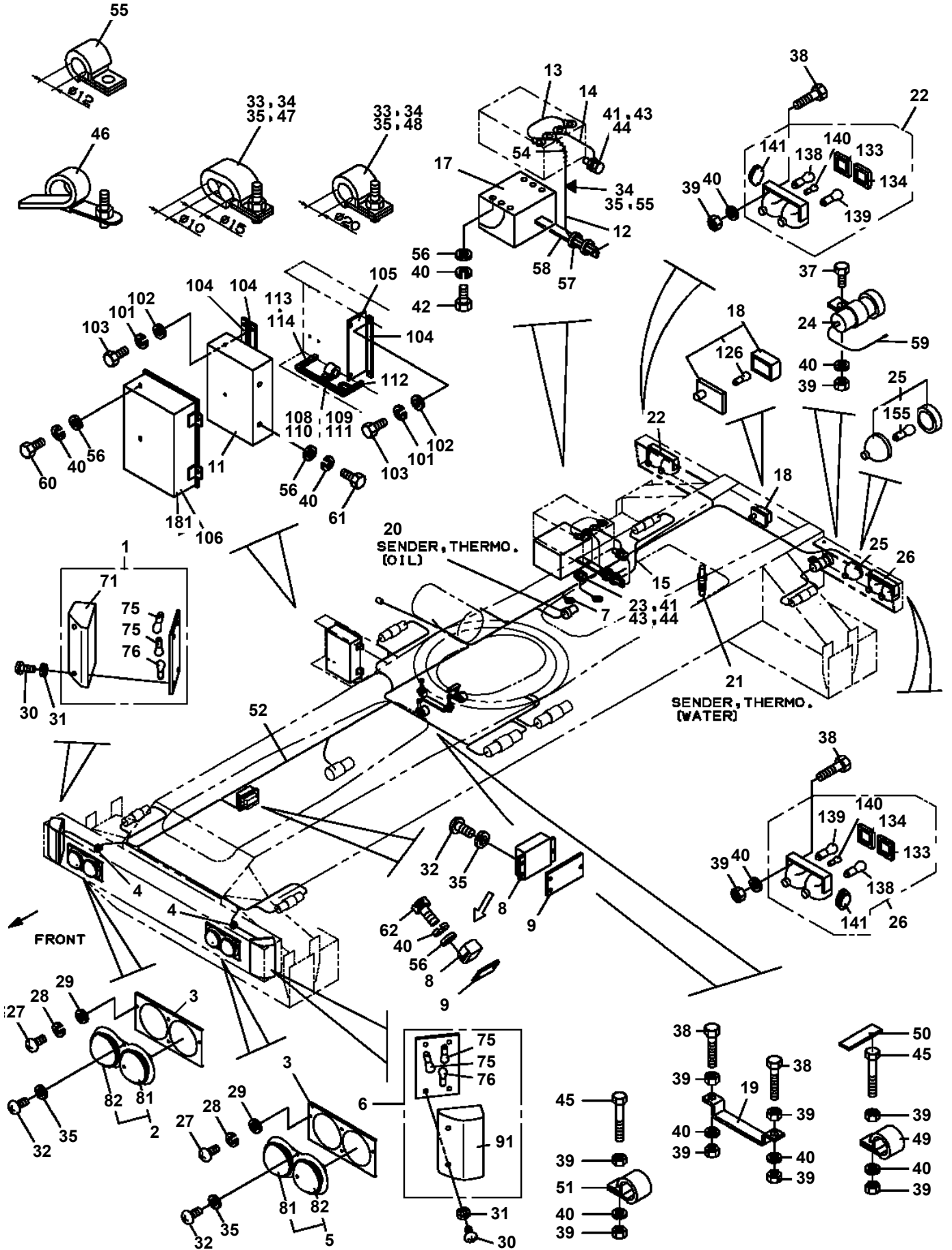
TR-500E-2-00202 4 BOOM + 2 JIB, 2M2D
PK1200020-00 COVER, SWING FRAME



TR-500E-2-00202 4 BOOM + 2 JIB, 2M2D
PL1040003-00 OPERATION SYSTEM, GOVERNOR



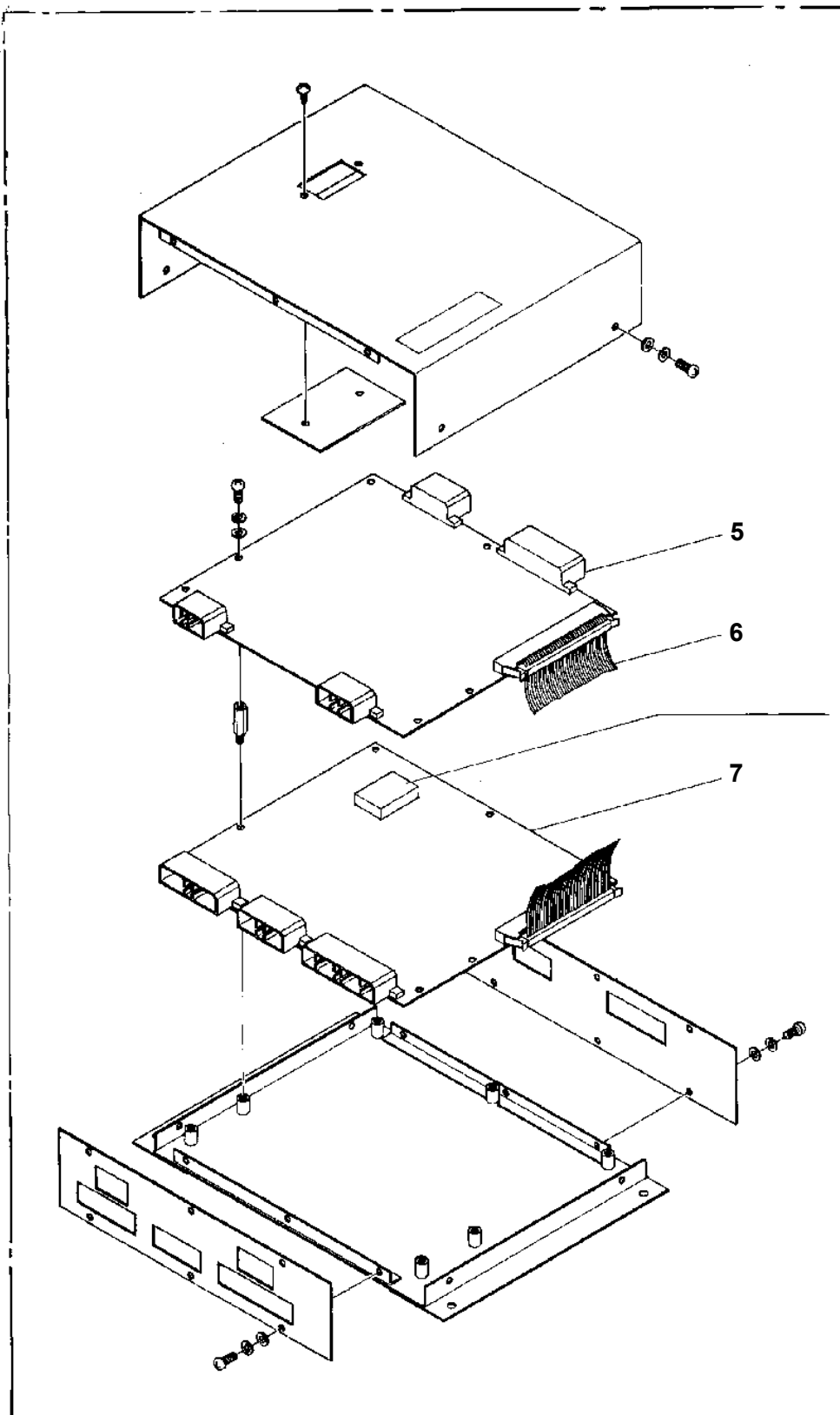
**TR-500E-2-00202 4 BOOM + 2 JIB, 2M2D
PN1010959-00 ELEC.ASSY (LOWER)**



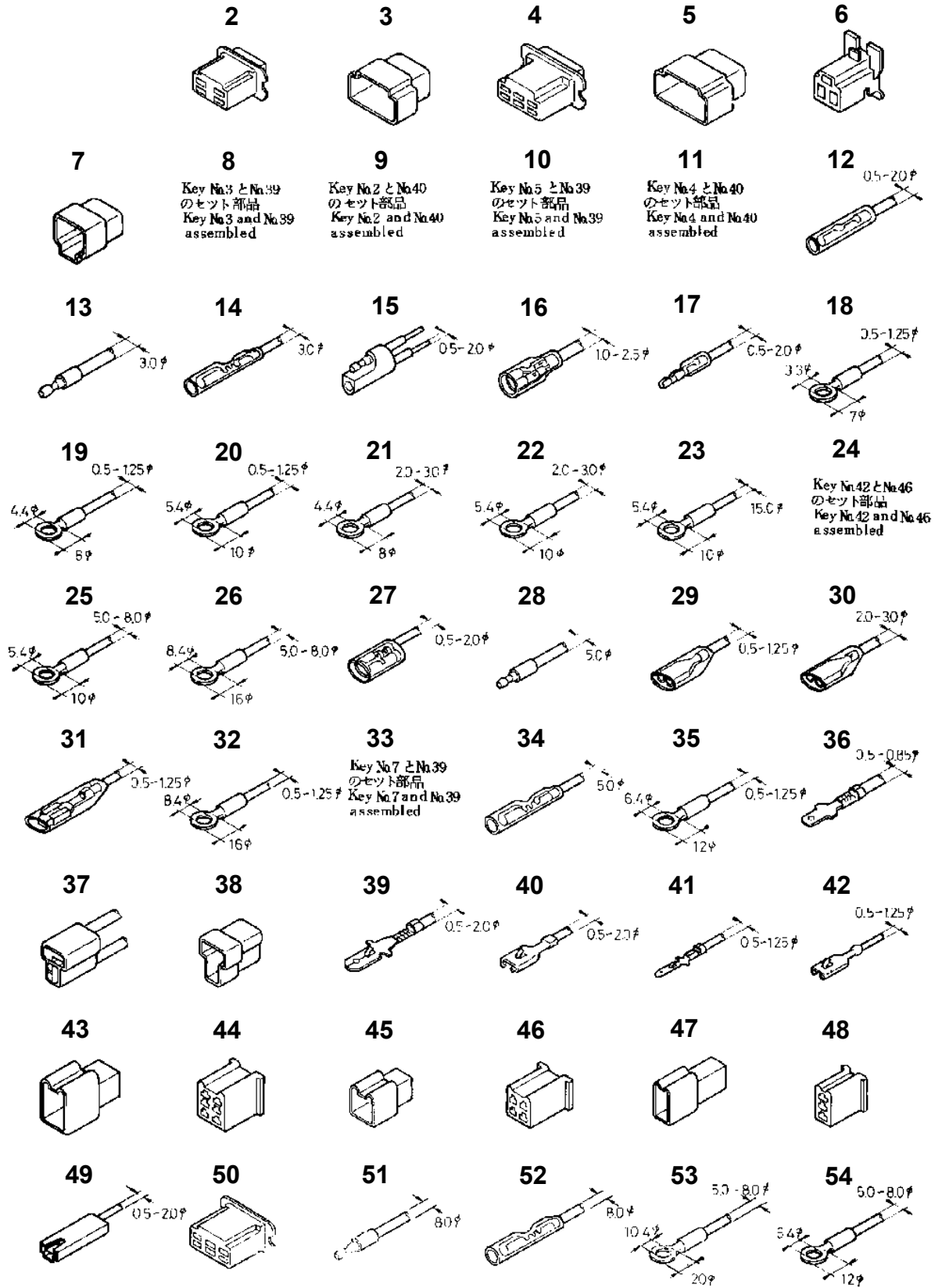
TR-500E-2-00202 4 BOOM + 2 JIB, 2M2D

Pos No.	Parts No	Parts Name	Qty	Unit	Technical Data	Serial No (Start)	Serial No (End)	Rema
1	82100000191	TERMINAL	1					
2	82100000183	INSULATOR	1					
3	82100000266	DIODE	3					
4	82100001200	DIODE	2					
5	34350003350	PLATE	1					
6	82100001404	TERMINAL	9					
7	82100001220	INSULATOR	9					
8	82100002266	CONNECTOR	1					
9	82100002258	TERMINAL	5					
10	82100002265	CONNECTOR (5POLES,MALE)	1					
11	82100002256	TERMINAL	5					
12	82100000640	TERMINAL,BASE	1					
13	80172303016	SCREW,MACHINE	2		M3X16			
14	90302040301	WASHER,SPRING	4		3			
15	90303070301	WASHER,PLAIN	4		3			
16	82183901010	CONDENSER	1					
17	82100002596	RELAY	1					
18	80182306010	SCREW,MACHINE	1		M6X10			
19	90302040601	WASHER,SPRING	1		6			
20	90303070601	WASHER,PLAIN	1		6			
21	34350171680	RELAY ASSY	1					
22	80172303012	SCREW,MACHINE	2		M3X12			

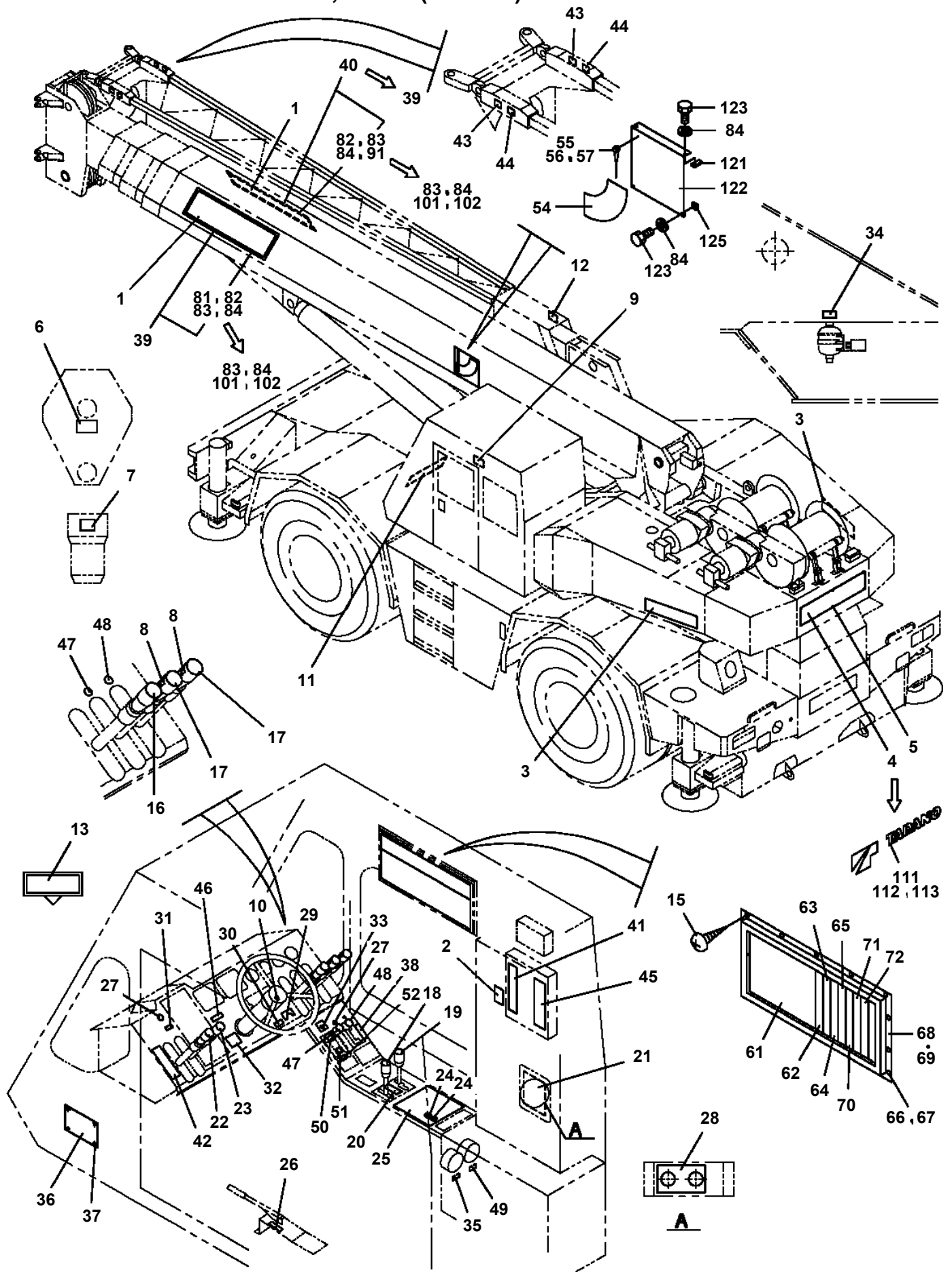
TR-500E-2-00202 4 BOOM + 2 JIB, 2M2D
PN1200005-00 TRANSMITTER, MULTI. DATA (UPPER)



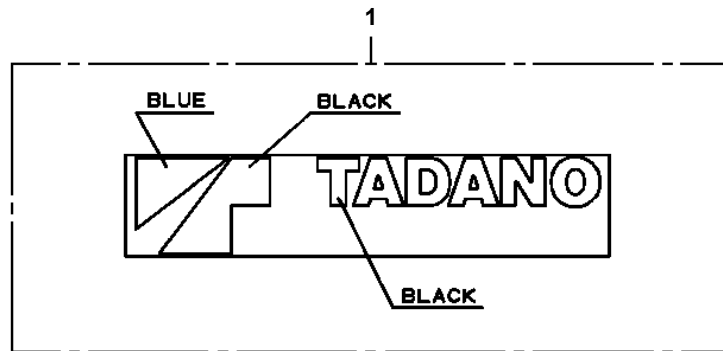
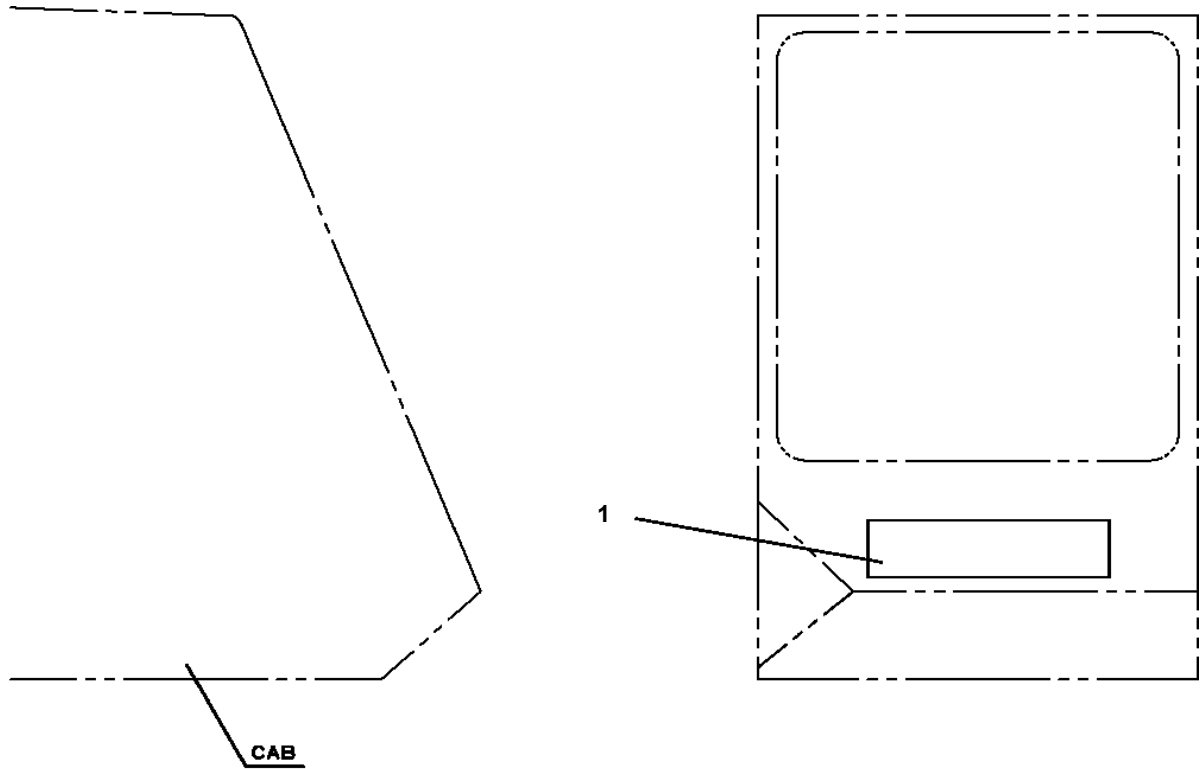
TR-500E-2-00202 4 BOOM + 2 JIB, 2M2D
PN1400011-00 WIRING MATERIALS



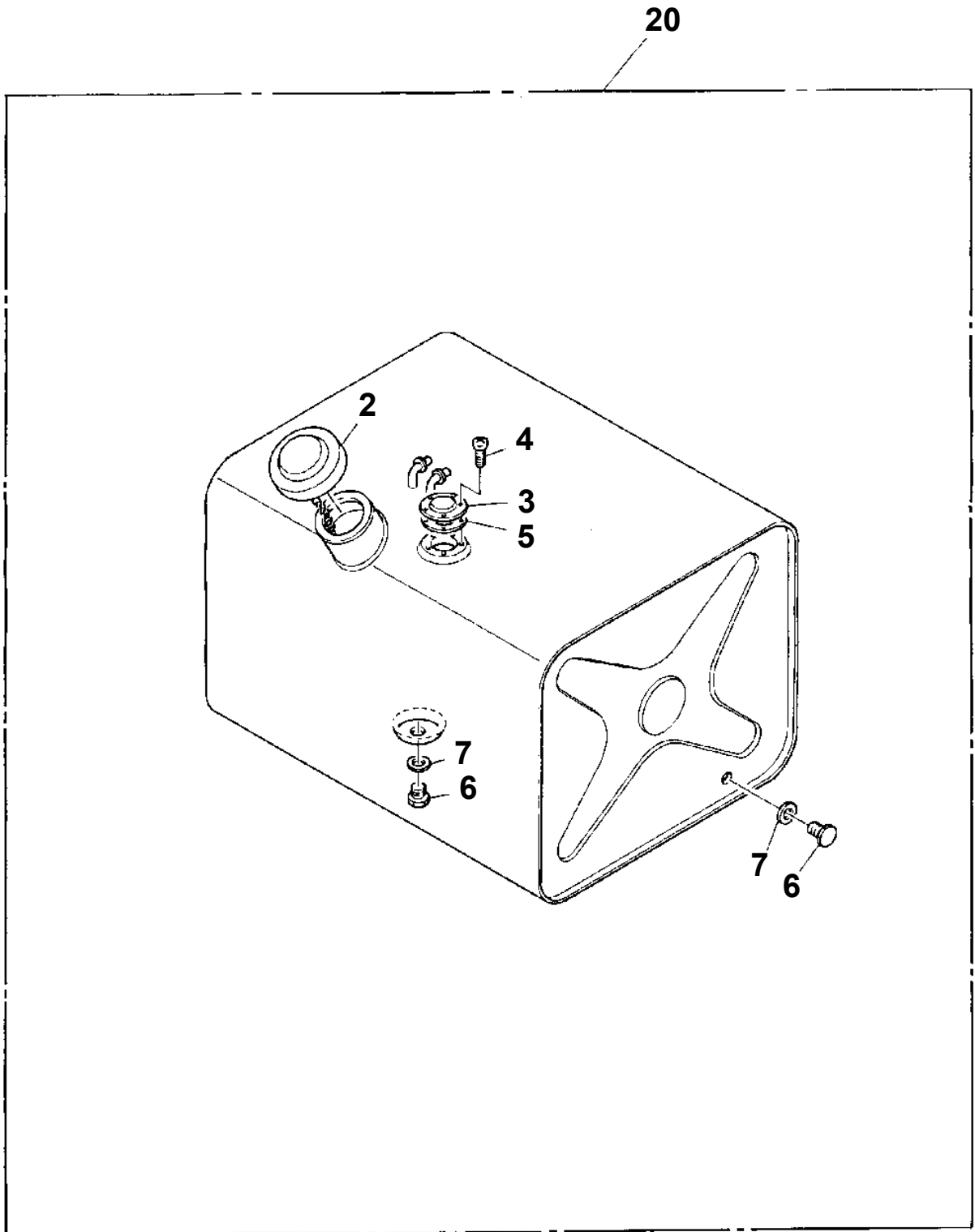
TR-500E-2-00202 4 BOOM + 2 JIB, 2M2D
PO1011262-01 PLATE ASSY,NAME (UPPER)



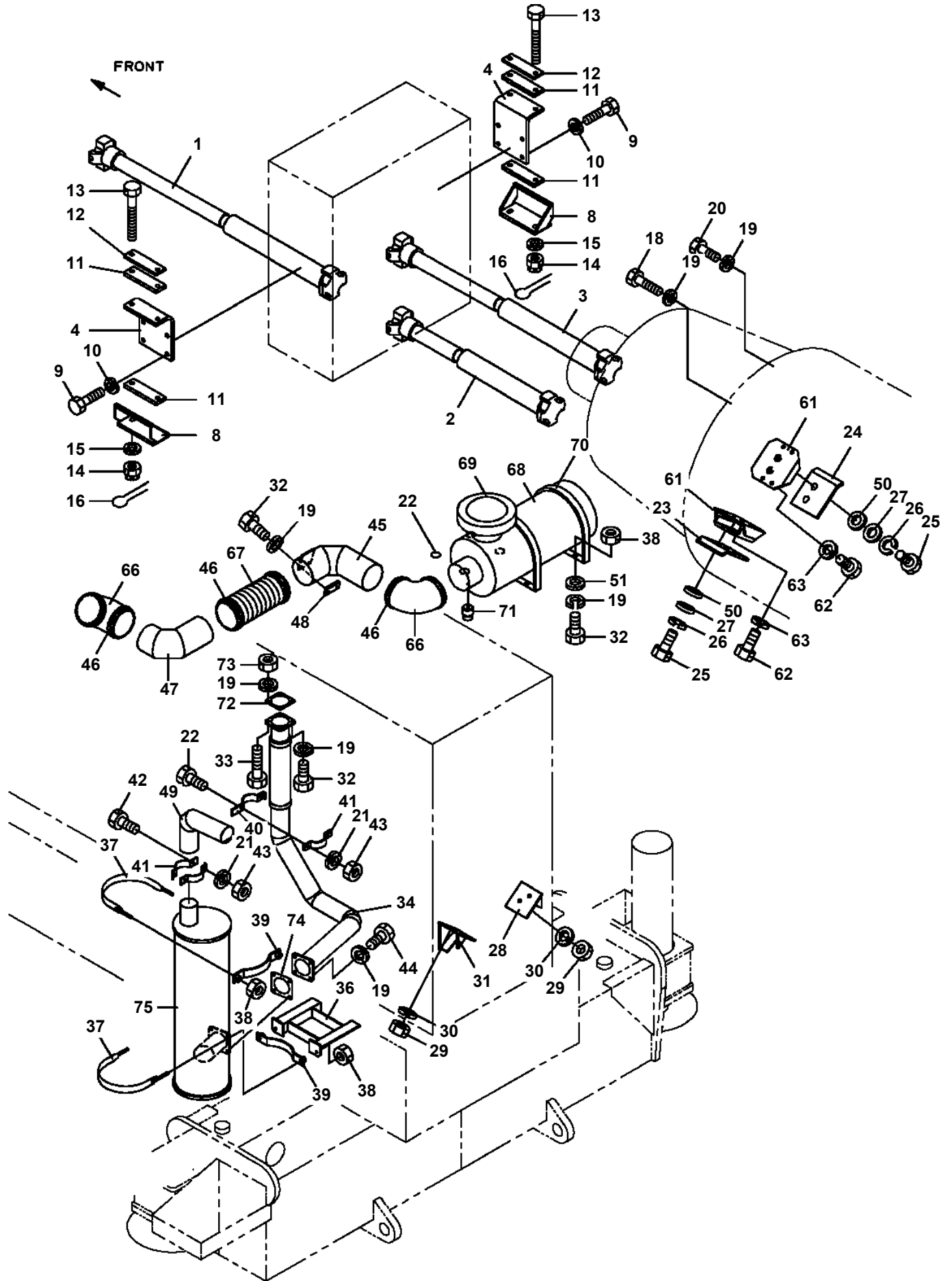
**TR-500E-2-00202 4 BOOM + 2 JIB, 2M2D
PO1030005-00 TADANO (CAB,BLUE/BLACK)**



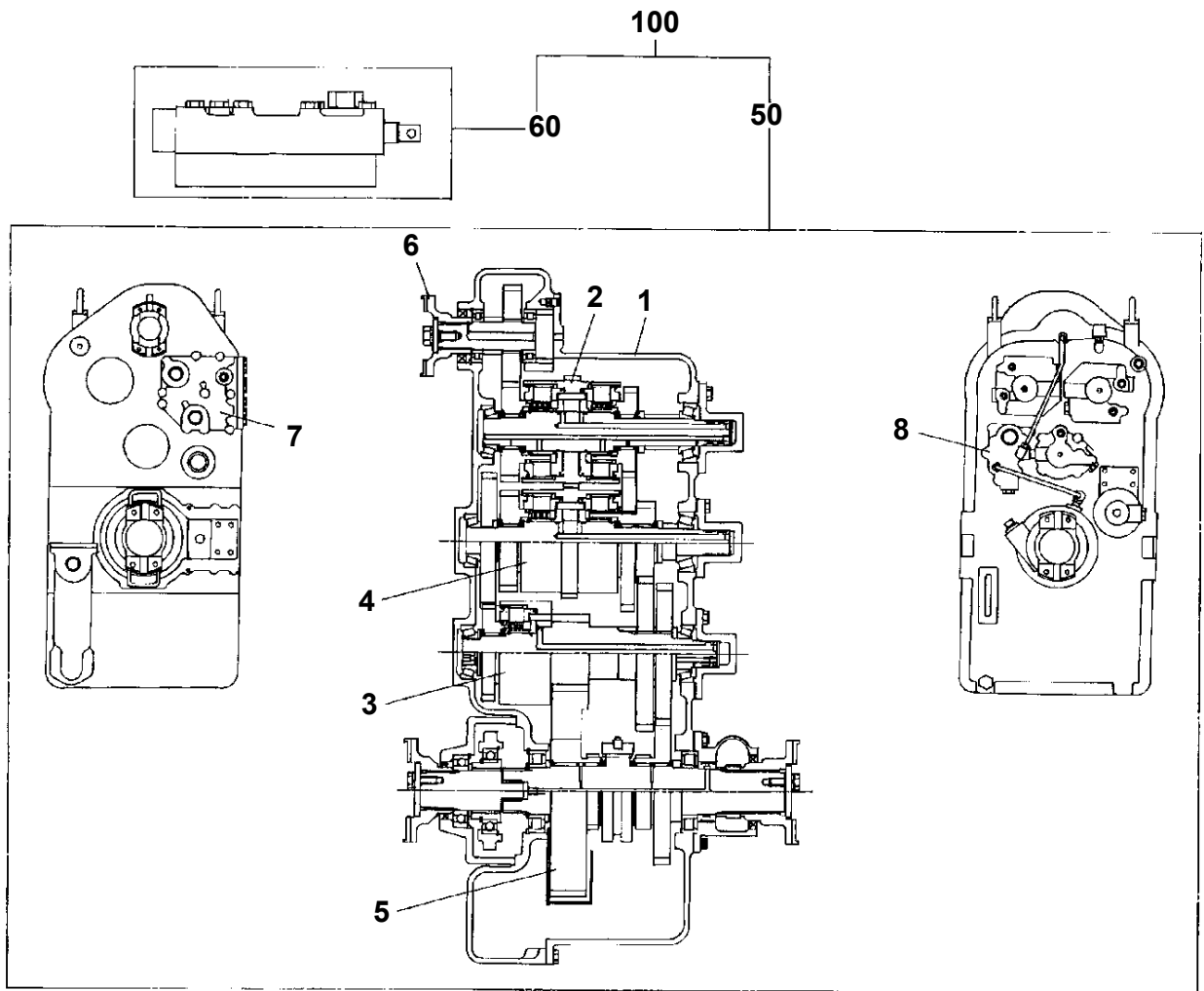
TR-500E-2-00202 4 BOOM + 2 JIB, 2M2D
PQ1100005-00 TANK,FUEL (300L)



TR-500E-2-00202 4 BOOM + 2 JIB, 2M2D
PQ1140047-01 POWER TRAIN



TR-500E-2-00202 4 BOOM + 2 JIB, 2M2D
PR1400007-00 TRANSMISSION



TR-500E-2-00202 4 BOOM + 2 JIB, 2M2D

Pos No.	Parts No	Parts Name	Qty	Unit	Technical Data	Serial No (Start)	Serial No (End)	R
1	36350026100	SHAFT (F CLUTCH)	1					
2	59433520050	RING,OIL SEAL	2					
3	36350035720	RING,OIL SEAL	2					
4	36350035710	PISTON ASSY	2					
5	36350185360	SPRING	2					
6	36350035740	RING,RETAINING	2					
7	36350036930	WASHER,THRUST	7					
8	36350035760	BEARING,THRUST	4					
9	36350035770	PLATE (STEEL)	10					
10	36350185540	PLATE,SINTER	12					
11	36350185550	PLATE (BACK)	1					
12	36350035800	RING,RETAINING	2					
13	36350025810	GEAR (B)	1					
14	36350025830	BEARING,NEEDLE	3					
15	36350026110	WASHER (RETAINER)	1					
16	36350026120	GEAR (K)	1					
17	36350025860	BEARING,TAPER ROLLER	1					
18	36350185560	PLATE (BACK)	1					
19	36350026140	GEAR ASSY (F)	1					
20	36350026150	PLATE (BACK)	1					
21	36350025850	WASHER,THRUST	1					
22	36350185570	WASHER	1					
23	36350025880	BEARING,TAPER ROLLER	1					
24	36350025890	SHIM	N					
25	59433020090	RING,OIL SEAL	3					
50	36350185041	F.CLUTCH PACK, TRANSMISSION	1					

TR-500E-2-00202 4 BOOM + 2 JIB, 2M2D

Pos No.	Parts No	Parts Name	Qty	Unit	Technical Data	Serial No (Start)	Serial No (E
1	90101508025	BOLT	2		M8X25		
2	90101508040	BOLT	3		M8X40		
3	90201200800	NUT	1		M8		
4	36350027110	BOLT,STUD	1				
5	90101510030	BOLT	1		M10X30		
6	90101510065	BOLT	11		M10X65		
7	36350027120	COVER (VALVE)	1				
8	36350027130	PACKING	1				
9	36350027140	PLUG	2				
10	36350027150	SPRING	4				
11	59133570020	PACKING (COPPER)	2				
13	59133060131	SEAL,OIL	2				
14	80560066000	BALL,STEEL	4				
16	36350185450	PACKING	1				
17	36350185460	SPACER (VALVE)	1				
19	36350027210	BUSH	2				
20	36350027220	BALL,STEEL	1				
21	36350027230	RING,RETAINING	2				
22	36350027240	PLUG	1				
50	36350185120	VALVE,CONTROL (T/M,DRIVING SELECT)	1				

TR-500E-2-00202 4 BOOM + 2 JIB, 2M2D

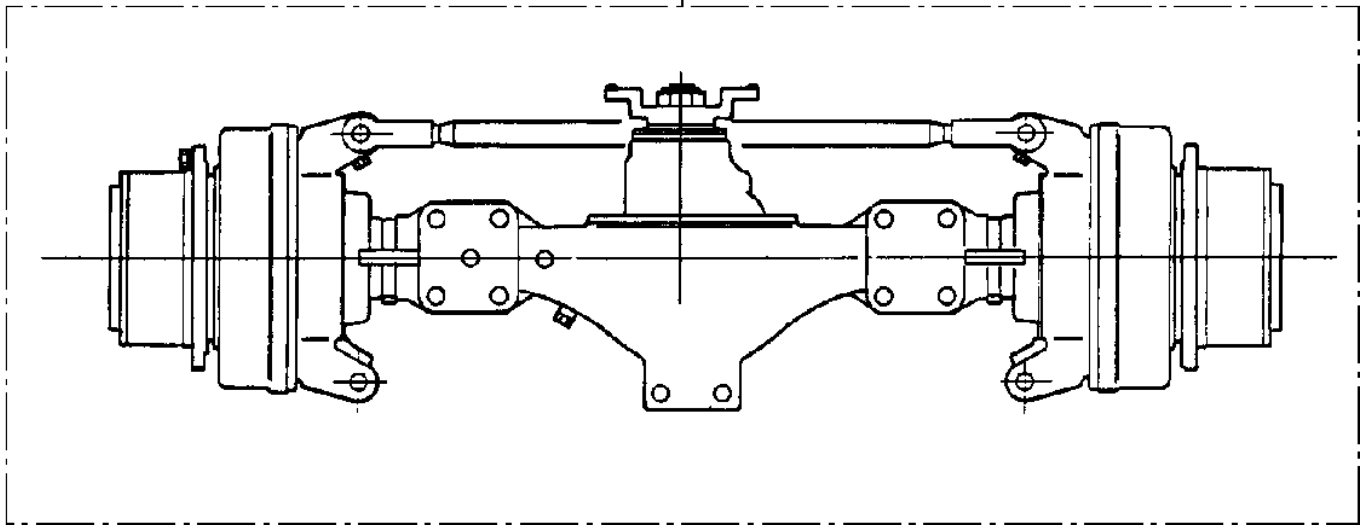
Pos No.	Parts No	Parts Name	Qty	Unit	Technical Data	Serial No (Start)	Serial No (End)	Rema
1	36300335015	SPIDER ASSY (5BL)	2					
2	36300335025	YOKE ASSY	1					
3	36300045030	BOLT	8		NF3/8X51X24			
4	36300045030	BOLT	8		NF3/8X51X24			
5	36300045040	BOLT	16		NF3/8X44X24			
10	36300330005	PROPELLER SHAFT, DRIVING	1					

TR-500E-2-00202 4 BOOM + 2 JIB, 2M2D

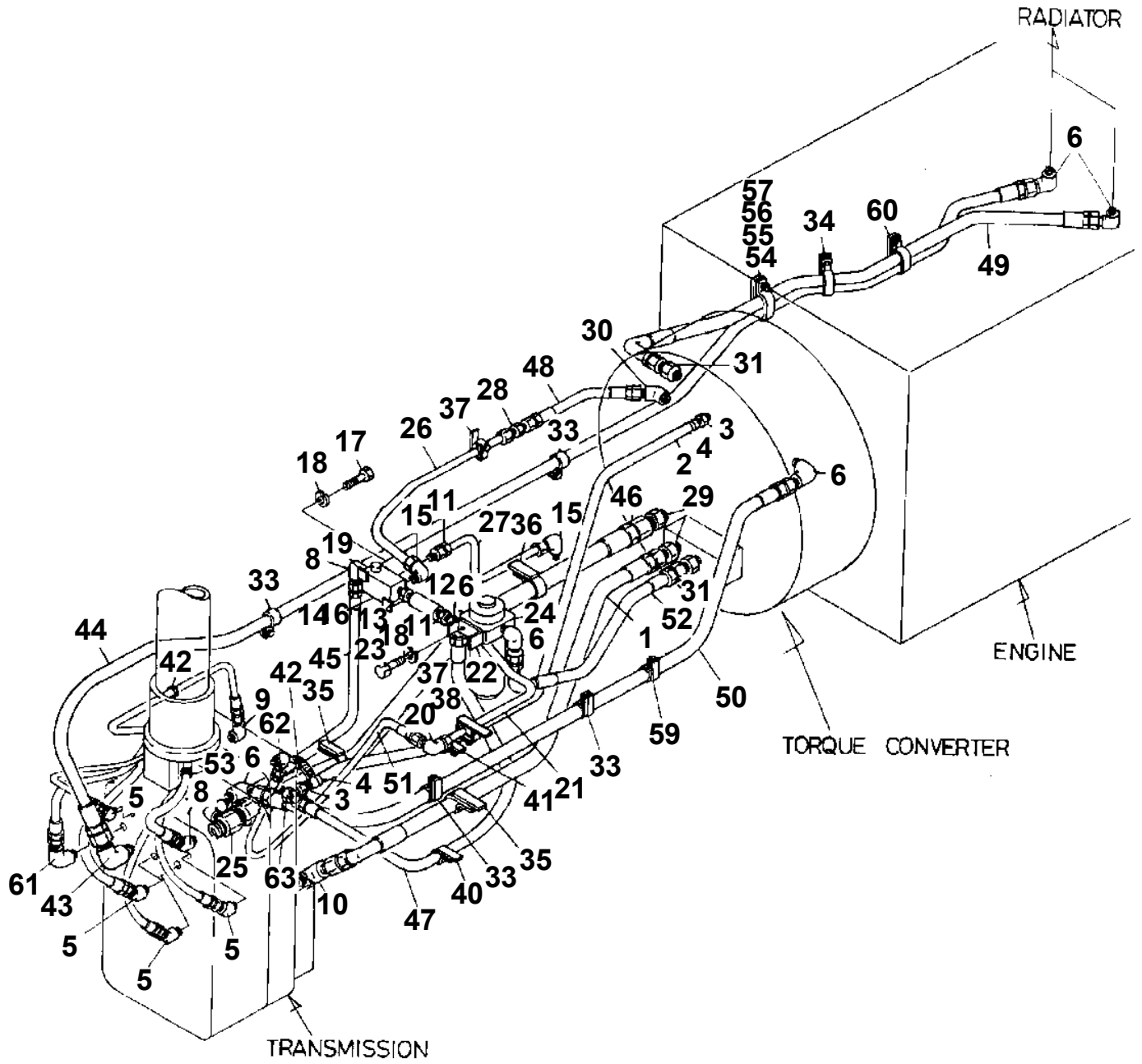
Pos No.	Parts No	Parts Name	Qty	Unit	Technical Data	Serial No (Start)	Serial I
196	36380065850	PLATE (COVER)	2				
197	36380065860	PLUG (PISTON)	6				
198	36380065870	PISTON	12				
199	36380065880	VALVE (BREEDER)	2				
200	36380065890	CONNECTOR (WITH O-RING)	2				
201	36380065900	BOLT ASSY	8				
202	36380065910	BOLT	16				
203	36380065920	SEAL KIT	2				
300	36380070001	AXLE,DRIVING (REAR)	1				

TR-500E-2-00202 4 BOOM + 2 JIB, 2M2D
PR1620068-00 AXLE,DRIVING (REAR)

300

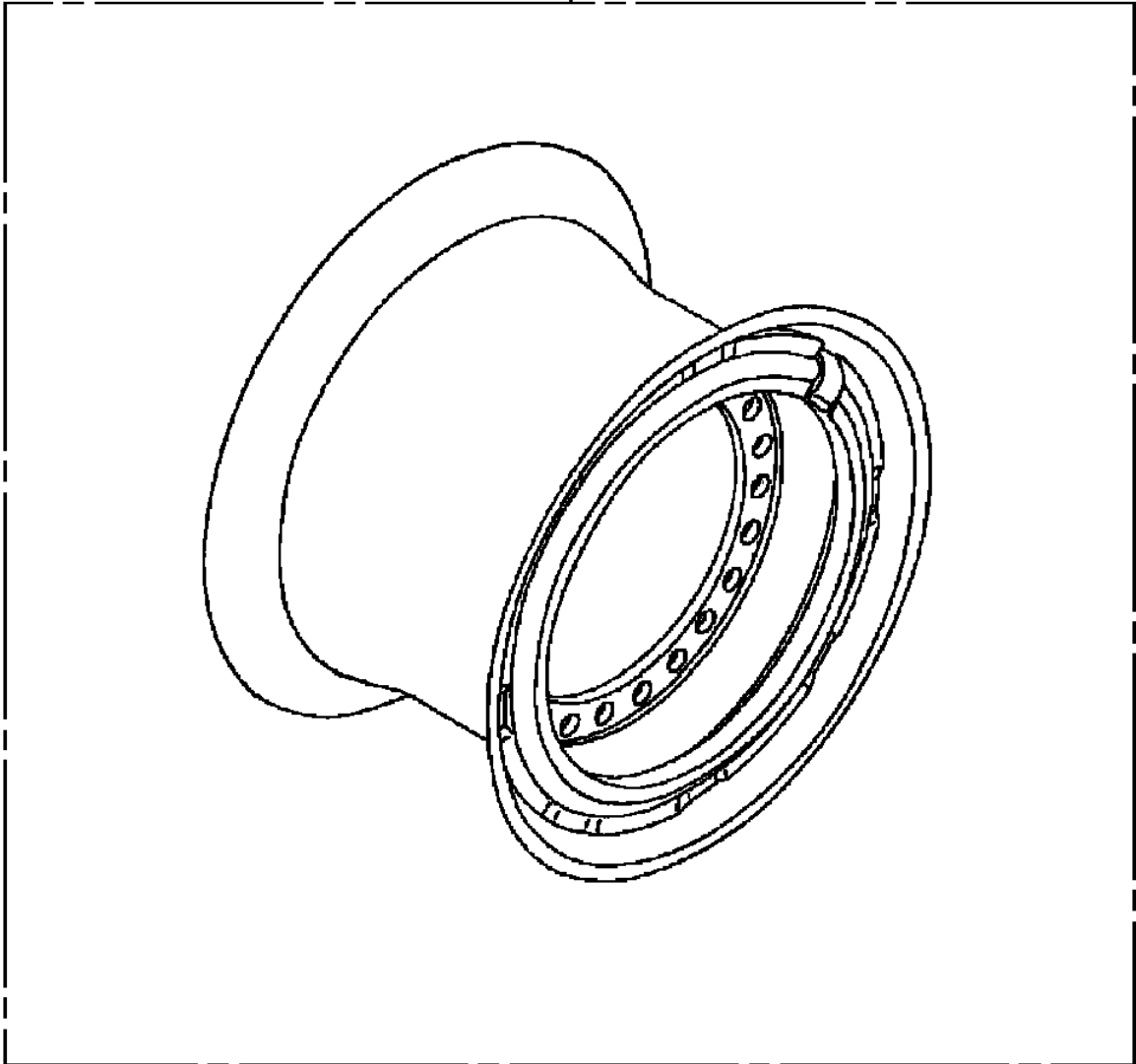


TR-500E-2-00202 4 BOOM + 2 JIB, 2M2D
PR1700034-00 PIPING, CONVERTER (LOWER)

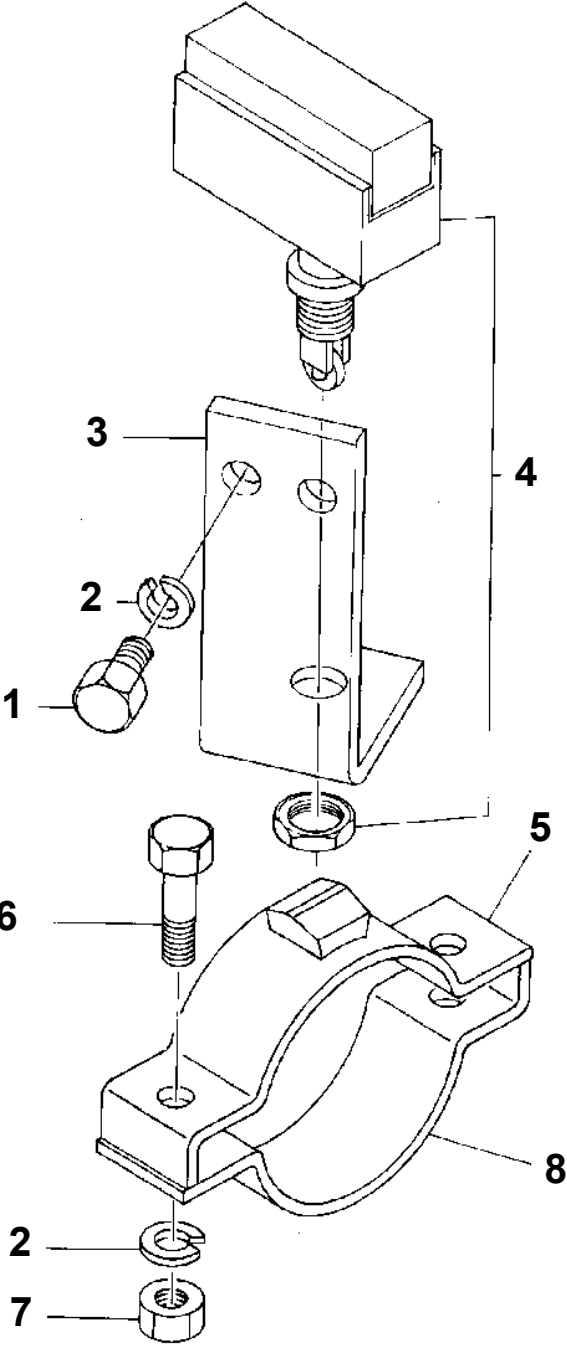


TR-500E-2-00202 4 BOOM + 2 JIB, 2M2D
PR1820032-00 WHEEL,TIRE

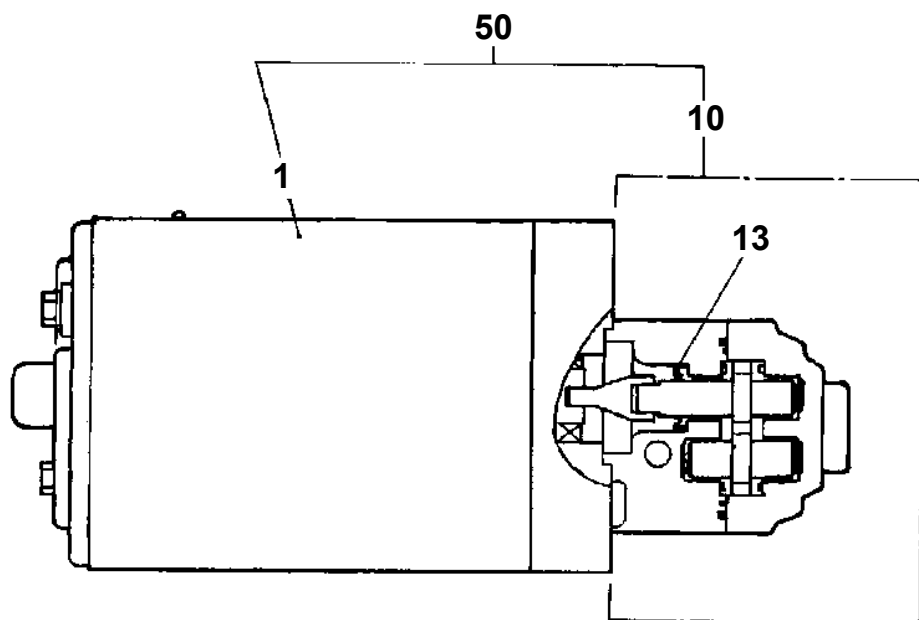
100



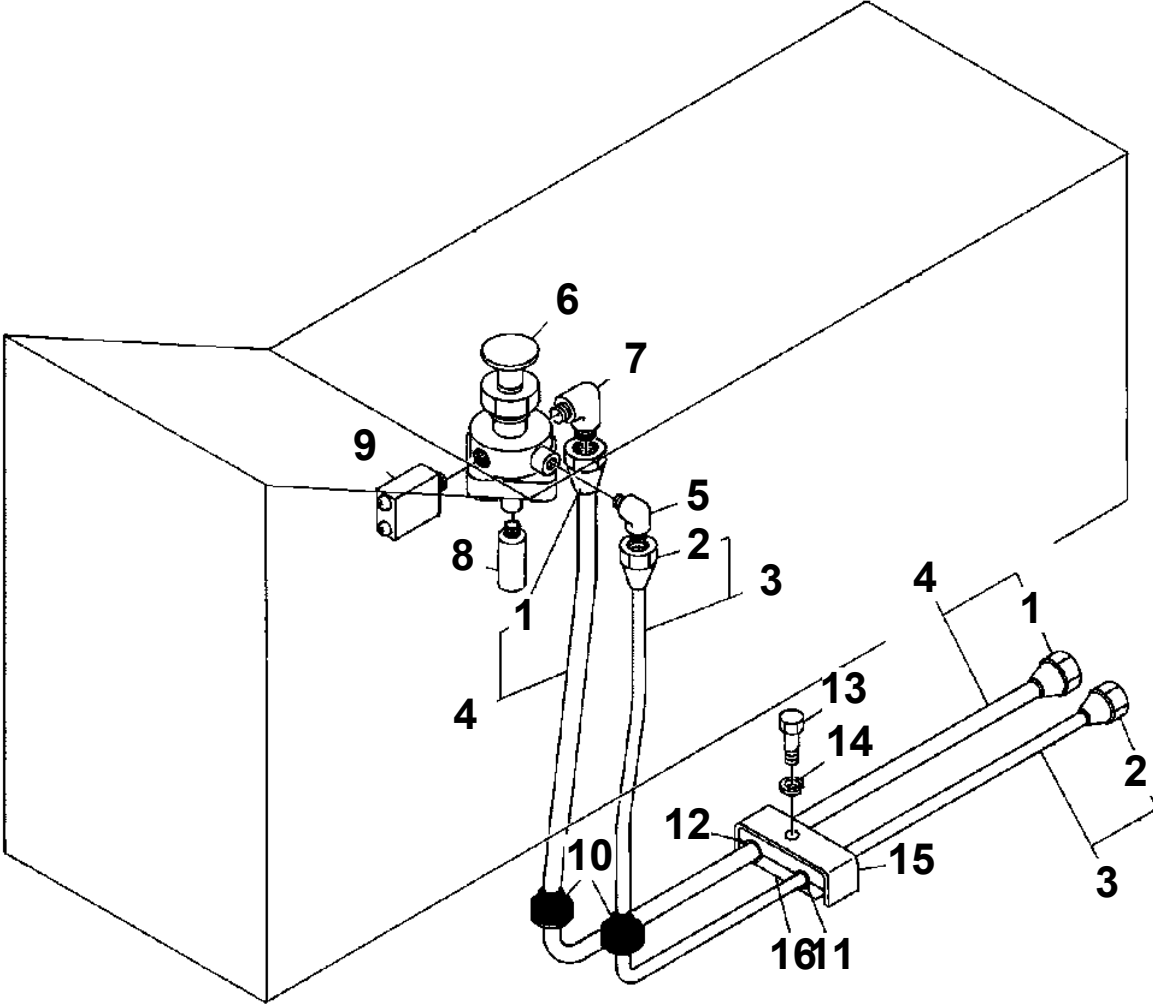
**TR-500E-2-00202 4 BOOM + 2 JIB, 2M2D
PS1050002-00 DETECTOR,STEERING CENTER (OPTION)**



TR-500E-2-00202 4 BOOM + 2 JIB, 2M2D
PS1320001-00 MOTOR & PUMP UNIT



TR-500E-2-00202 4 BOOM + 2 JIB, 2M2D
PT1020001-01 OPERATION SYSTEM, PARKING BRAKE



TR-500E-2-00202 4 BOOM + 2 JIB, 2M2D

Pos No.	Parts No	Parts Name	Qty	Unit	Technical Data	Serial No (Start)	Serial No (End)	Remarks
1	36600505010	VALVE KIT (REPAIR KIT)	1					
10	36600500000	VALVE,BRAKE	1					

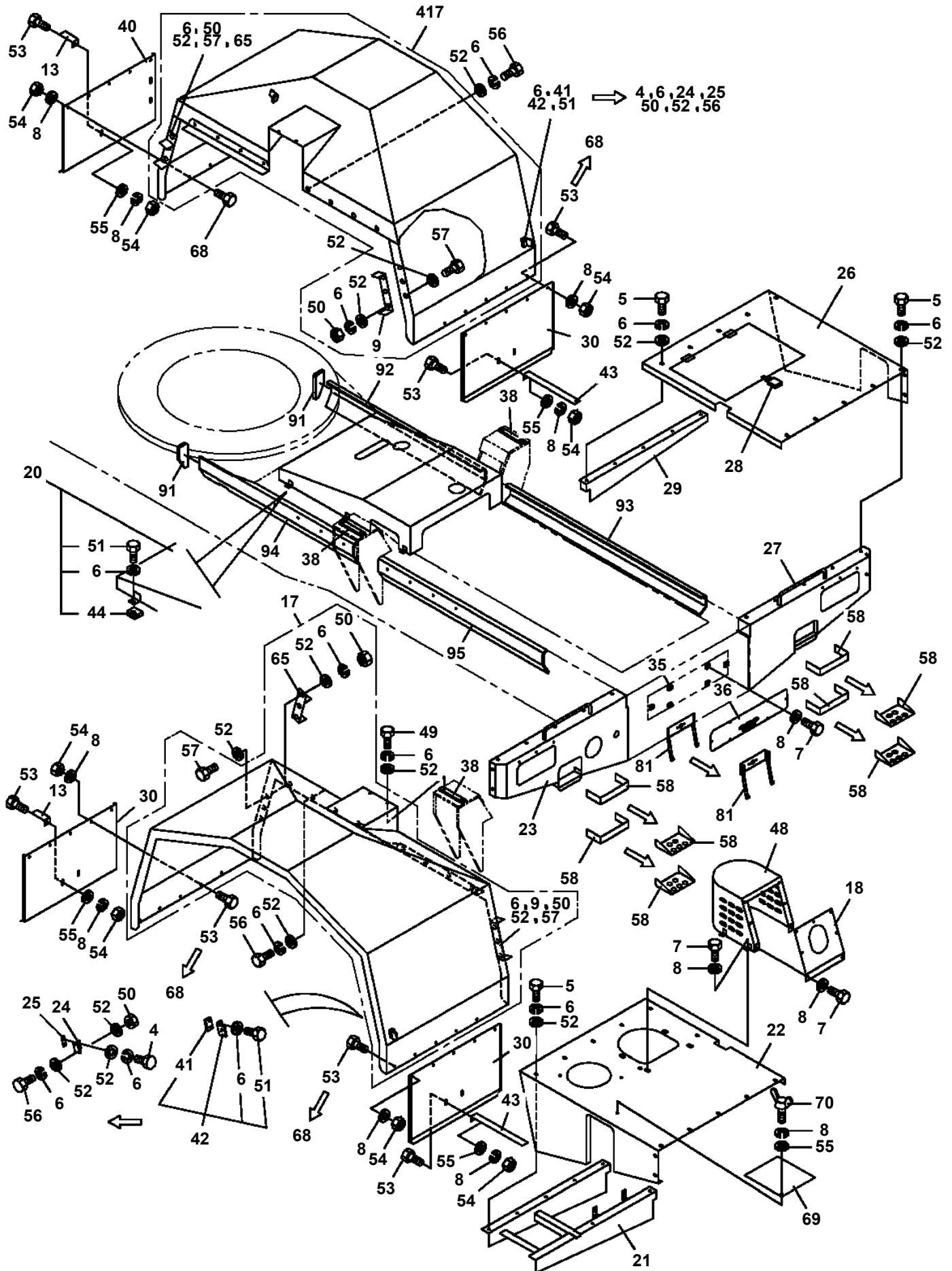
TR-500E-2-00202 4 BOOM + 2 JIB, 2M2D

Pos No.	Parts No	Parts Name	Qty	Unit	Technical Data	Serial No (Start)	Serial No (End)	Remarks
3	36060705010	CUP	1					
27	36060705020	CYLINDER	1					
28	36600635030	NIPPLE	1					
29	36600635050	SCREW (BREATHER)	1					
30	36600635060	CAP (BREATHER)	1					
34	36600635040	GASKET	3					
102	36060705070	PISTON & ROD ASSY	1					
104	36870335020	SPRING (RETURN)	1					
106	36870335030	BUSHING	1					
161	36870335050	PISTON KIT (REPAIR KIT)	1					
162	36060705080	VALVE,RELAY	1					
200	36060700000	BOOSTER	1					

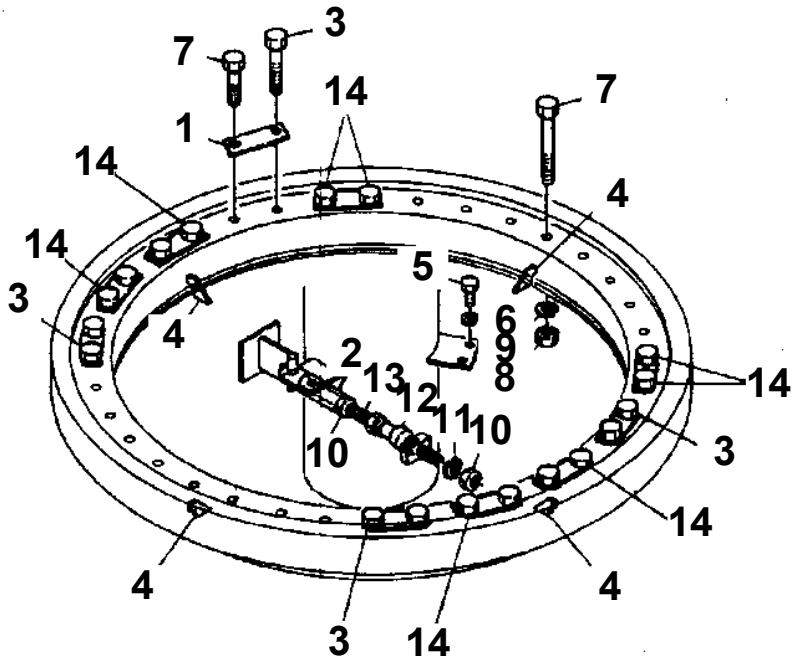
TR-500E-2-00202 4 BOOM + 2 JIB, 2M2D

Pos No.	Parts No	Parts Name	Qty	Unit	Technical Data	Serial No (Start)	Serial No (End)	Remarks
1	34790030100	SUPPORT	2					
2	34790060200	SUPPORT	1					
3	37001600460	NUT	16		M24			
4	90103724120	BOLT	8		M24X120			
5	90103724170	BOLT	8		M24X170			
6	34790060401	SUPPORT	2					
7	37000120790	PIN	2					
8	90101214030	BOLT	4		M14X30			
10	36050110001	CYLINDER,SPRING LOCK	2				545194	
	36050110002	CYLINDER,SPRING LOCK	2			545195		
11	37000120760	PIN	2					
12	34790060300	SUPPORT	1					
13	37000108600	PIN	2					
14	34790060701	SUPPORT ASSY	1					
17	37000506300	PLATE	2					
18	34790061000	STOPPER	8					
19	37000506290	PLATE	2					
20	37000506310	PLATE	2					
21	90302052401	WASHER,SPRING (24)	16				545195	
	90303502401	WASHER,PLAIN	16		24	545196		
22	59457138000	PLUG ASSY	4					
23	34790060500	PLATE	1					
24	34790060510	PLATE	2					
25	34790060520	PLATE	2					
26	37000520720	PLATE	4				545194	
	37000520720	PLATE	2			545195		
27	80136380112	PIN,SPLIT	4					
28	37000520740	PLATE	4					
31	37000400870	BEARING,PLAIN	2					
33	37000506250	PLATE	4					
34	80530000200	BEARING,SPHERICAL	2					

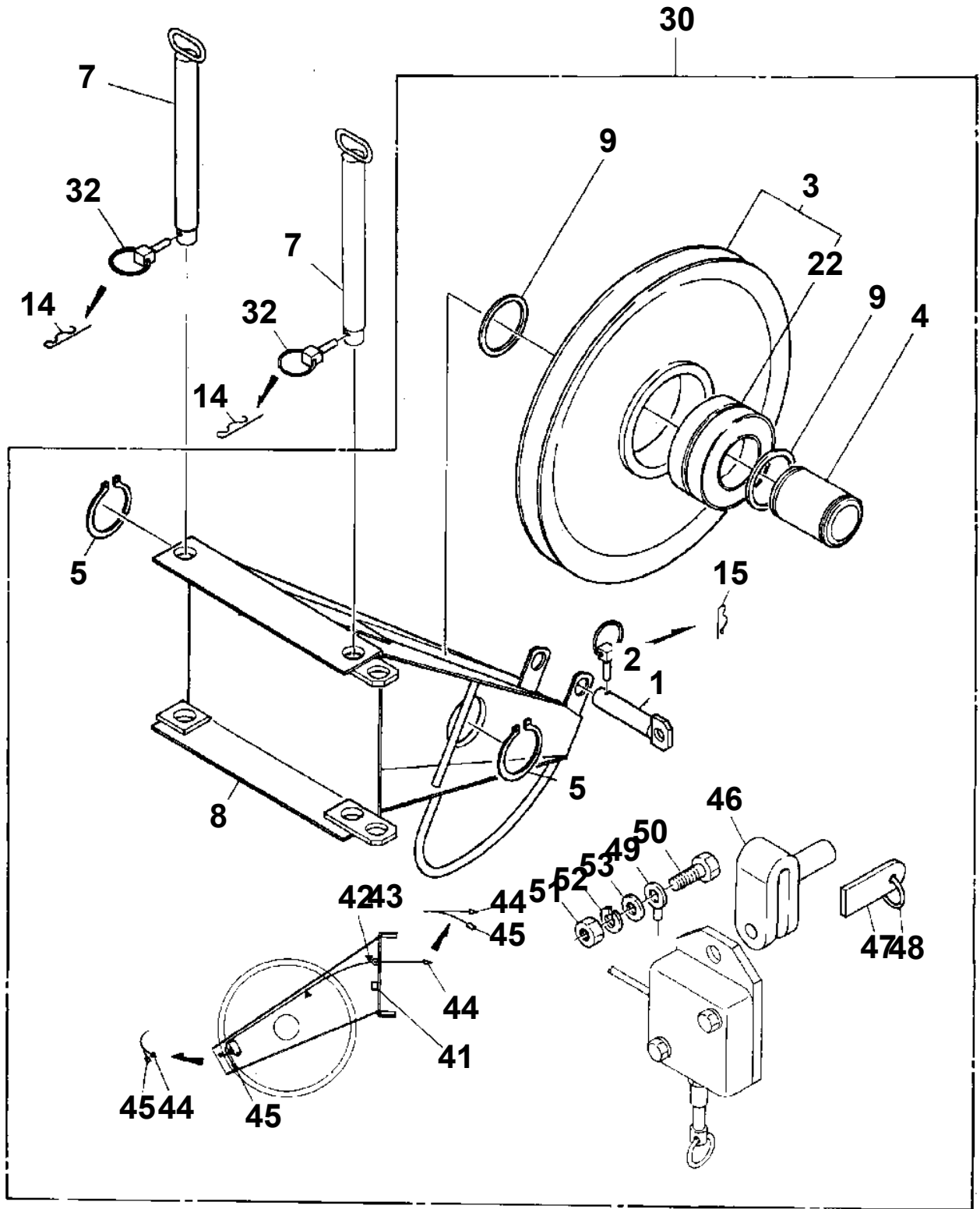
**TR-500E-2-00202 4 BOOM + 2 JIB, 2M2D
PX1030192-01 FENDER**



TR-500E-2-00202 4 BOOM + 2 JIB, 2M2D
PX1160004-00 ATTACHMENT PARTS, SWING BEARING

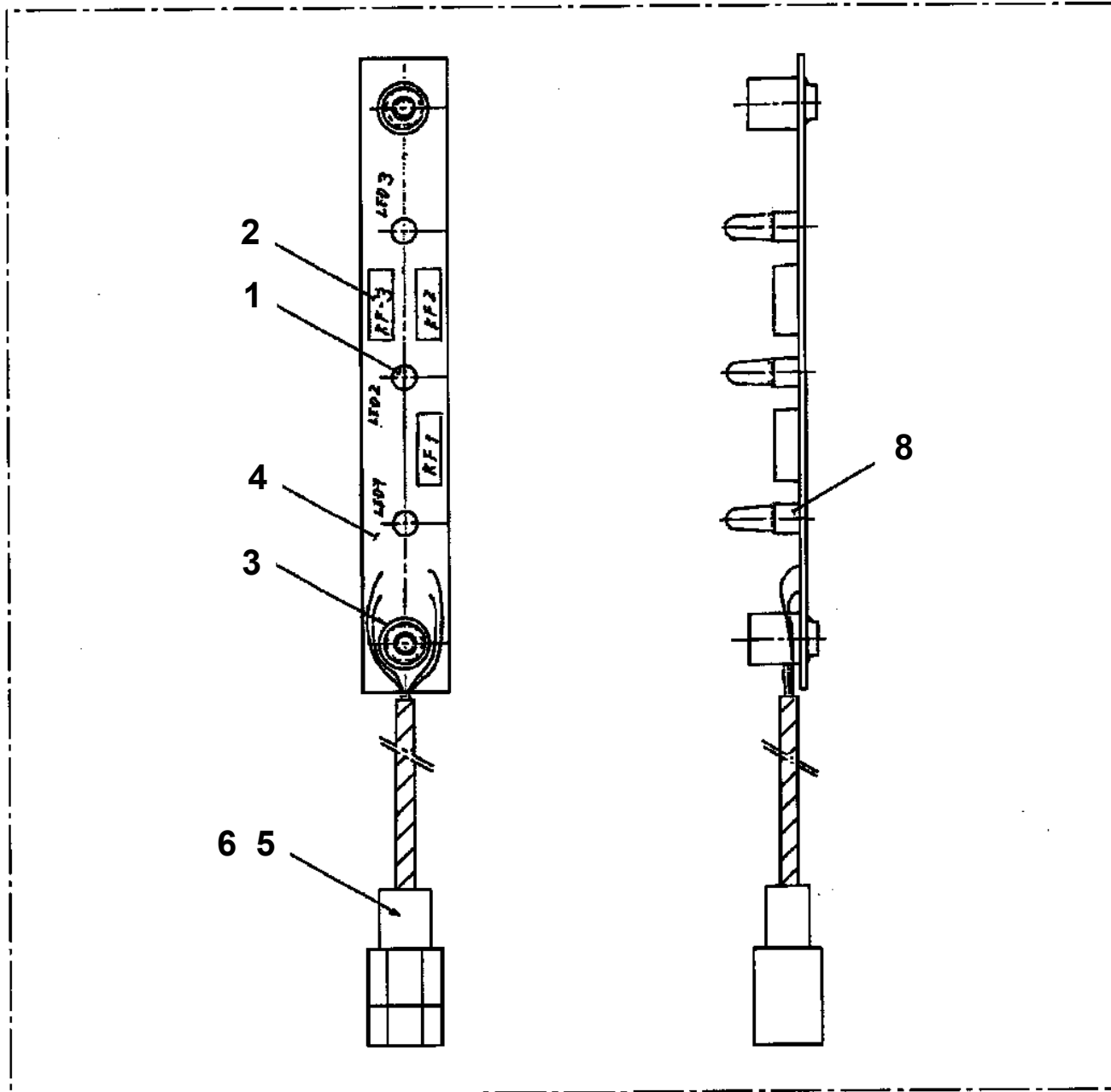


TR-500E-2-00202 4 BOOM + 2 JIB, 2M2D
PY1030003-02 SINGLE TOP



TR-500E-2-00202 4 BOOM + 2 JIB, 2M2D
PY1180228-00 LAMP (INDICATOR,DRUM)

ASSEMBLY NAME LAMP (INDICATOR,DRUM)



CLICK HERE TO **DOWNLOAD** THE COMPLETE MANUAL

- Thank you very much for reading the preview of the manual.
- You can download the complete manual from: www.heydownloads.com by clicking the link below



- Please note: If there is no response to CLICKING the link, please download this PDF first and then click on it.

CLICK HERE TO **DOWNLOAD** THE COMPLETE MANUAL