

TR-500E-2-00101 4 BOOM + 2 JIB, 2M2D

PB1000209-02 HYDRAULIC PRESSURE GENERATING SYSTEM
PC1000158-00 OUTRIGGER SYSTEM
PD1000195-00 SWING SYSTEM
PE1000193-00 ELEVATING SYSTEM
PF1000183-00 WINCH SYSTEM
PG1000188-01 TELESCOPING SYSTEM
PH1000179-00 SAFETY DEVICES
PI1000213-02 HYDRAULIC DEVICES
PK1000203-01 FRAME
PL1000199-00 CONTROL DEVICES
PM1000023-00 LUBRICATION DEVICES
PN1000167-00 ELECTRIC EQUIPMENT
PO1000091-00 INDICATION PLATES
PQ1000059-01 DRIVING POWER GENERATING SYSTEM
PR1000038-01 DRIVING POWER TRANSMISSION SYSTEM
PS1000054-00 STEERING SYSTEM
PT1000044-00 BRAKE SYSTEM
PU1000036-00 SUSPENSION
PW1000079-00 ACCESSORIES & TOOLS
PX1000206-00 MOUNTING PARTS
PY1000179-01 OPTIONS
ASSEMBLY

CLICK HERE TO **DOWNLOAD** THE COMPLETE MANUAL

- Thank you very much for reading the preview of the manual.
- You can download the complete manual from: www.heydownloads.com by clicking the link below



- Please note: If there is no response to CLICKING the link, please download this PDF first and then click on it.

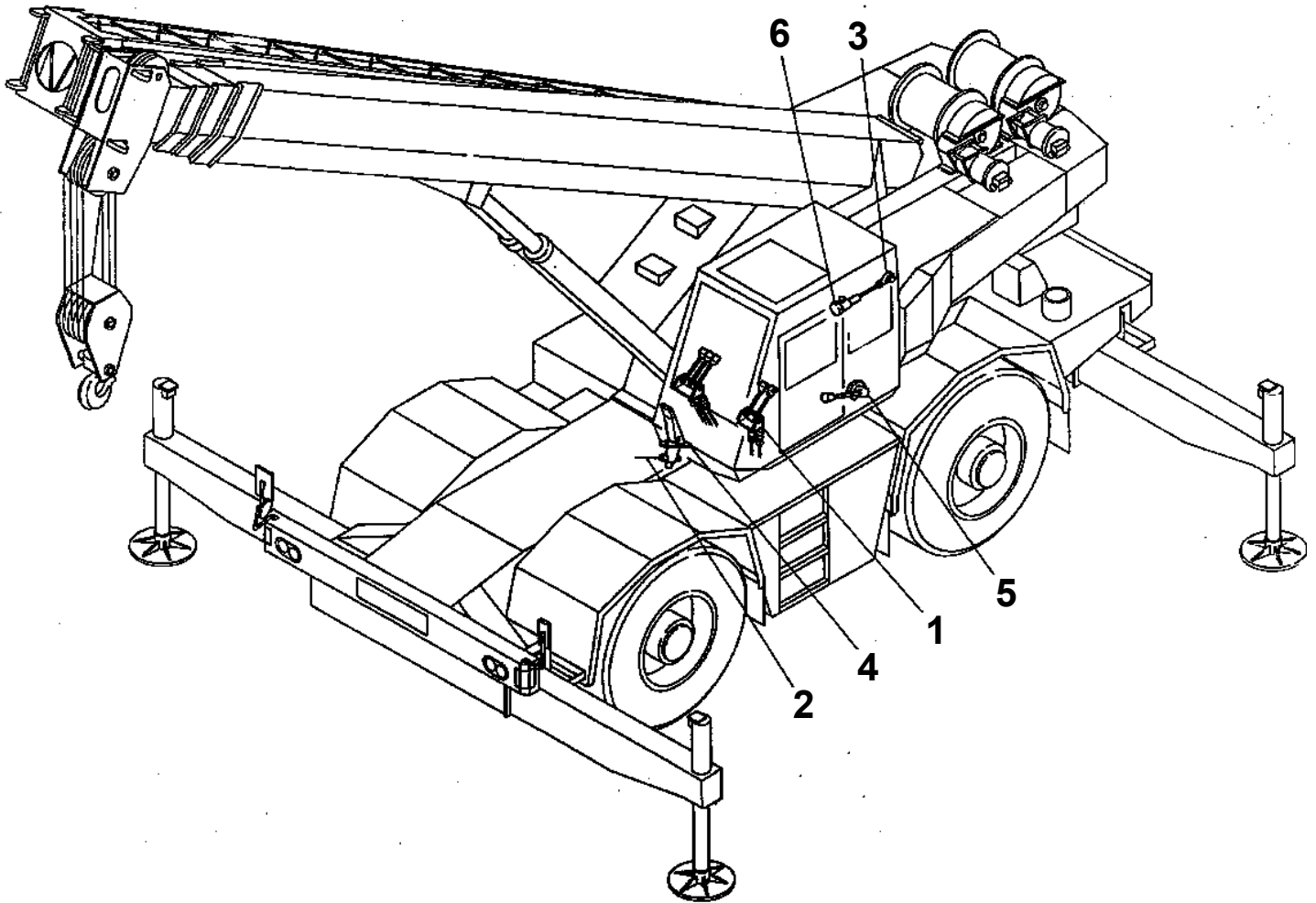
CLICK HERE TO **DOWNLOAD** THE COMPLETE MANUAL

TR-500E-2-00101 4 BOOM + 2 JIB, 2M2D

Pos No.	Parts No	Parts Name	Qty	Unit	Technical Data	Serial No (Start)	Serial No
1	36071040000	WINCH	2				
2	36091770000	HOOK (SHEAVE 5 PC'S)	1				
3	36090870000	HOOK (AUX.,5.6TON)	1				
4	(*****)	HOOK (SHEAVE 2 PC'S)	1				
5	37001801650	ROPE,WIRE (TSK)	1				
6	37001801640	ROPE,WIRE	1				
7	(*****)	SOCKET,ROPE	2				
	(*****)	SOCKET,ROPE	2			545098	545097
8	34310112000	BRAKE,WINCH	2				
9	34310111000	ROLLER ASSY	2				
10	(*****)	PIPING,WINCH	1				
11	(*****)	DETECTOR,DRUM ROTATION (MAIN,OPTION)	1				
12	(*****)	DETECTOR,DRUM ROTATION (AUX.,OPTION)	1				
13	(*****)	MOUNT,WINCH	1				
14	36660480000	MOTOR,HYDRAULIC	2				
15	36660500000	MOTOR,HYDRAULIC	2				
16	36640010000	VALVE,SOLENOID	2				
17	36620080000	VALVE,CHECK	2				
18	36600920000	VALVE,COUNTERBALANCE	2				

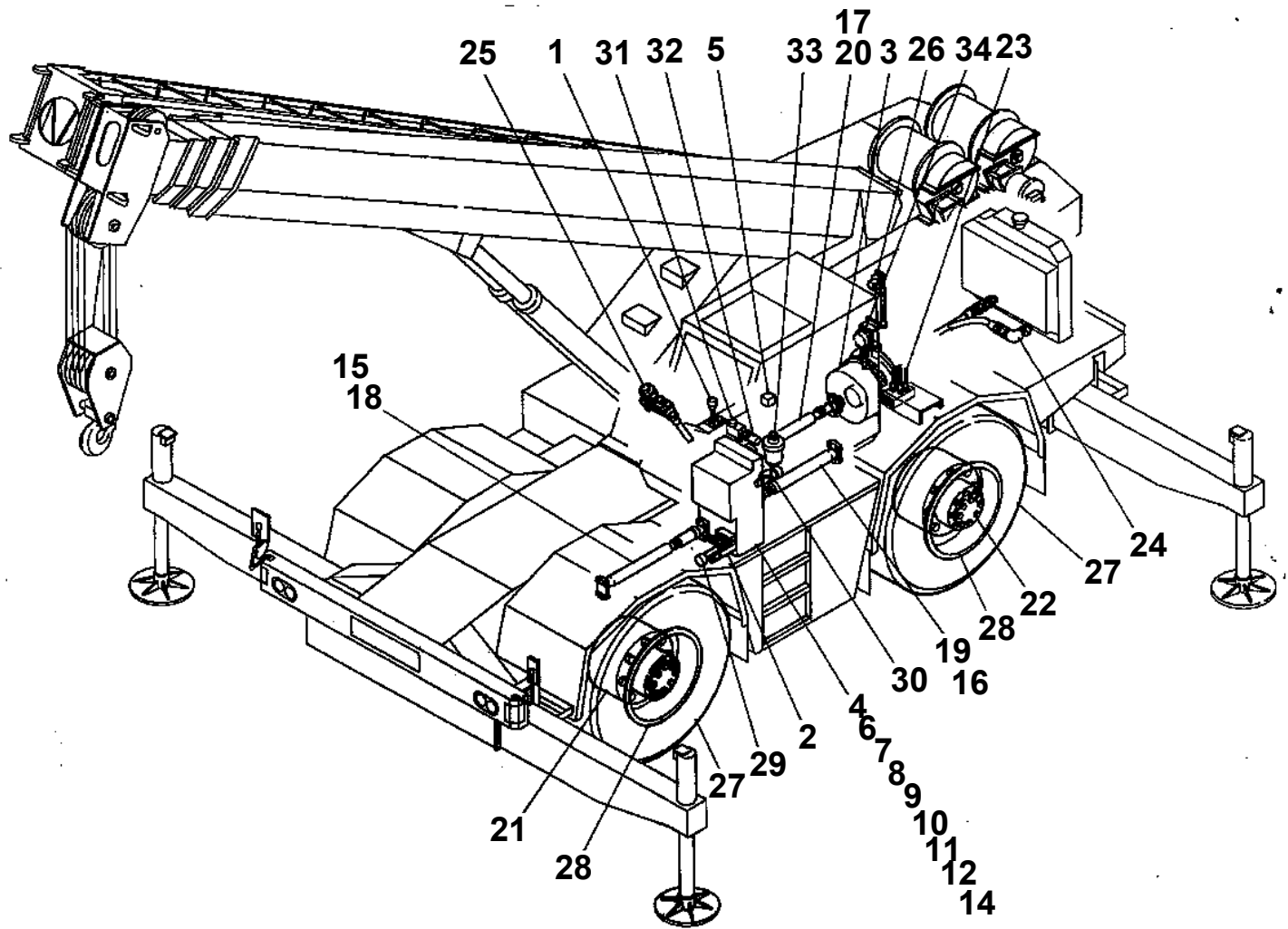
TR-500E-2-00101 4 BOOM + 2 JIB, 2M2D
PL1000199-00 CONTROL DEVICES

System Name CONTROL DEVICES



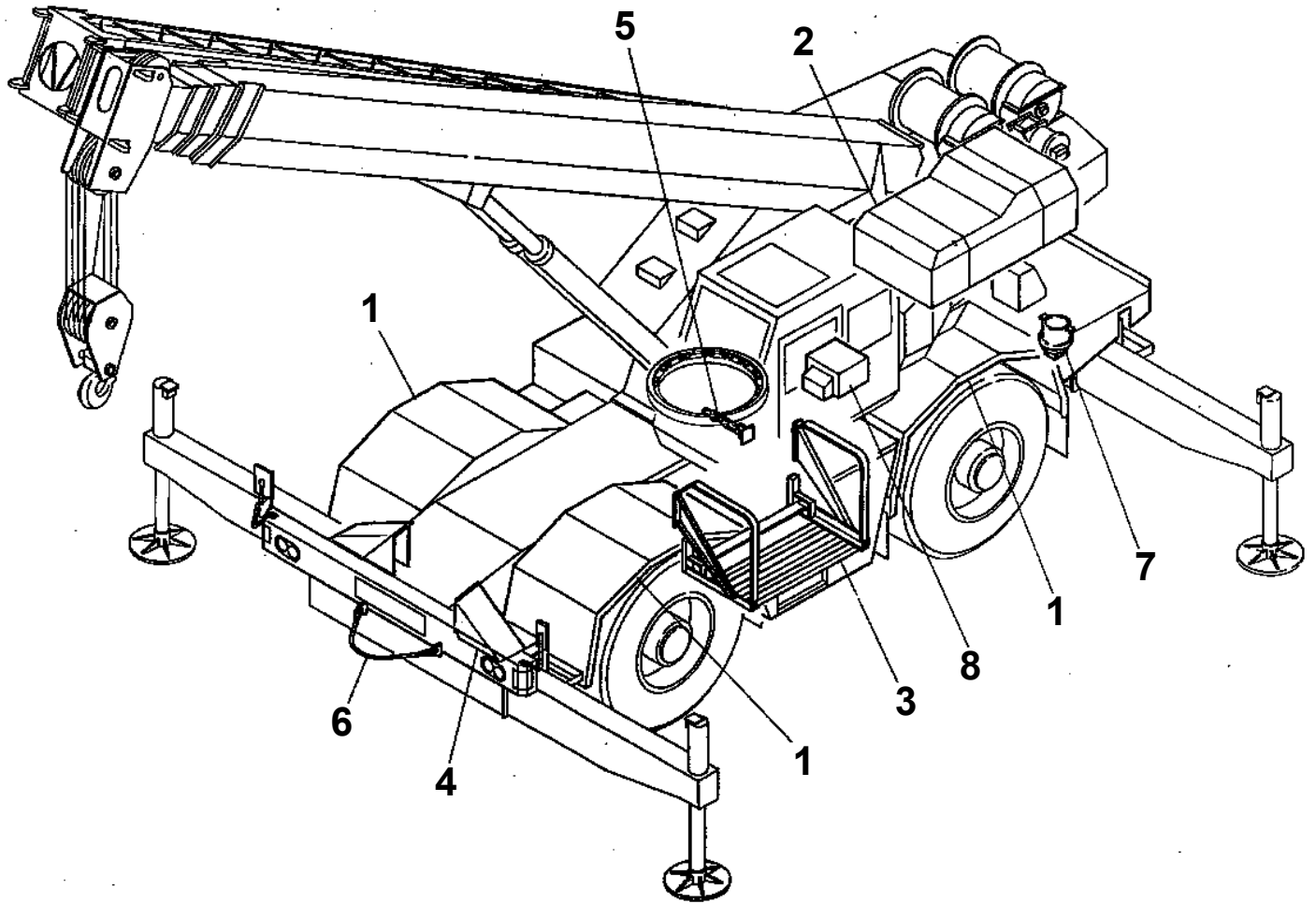
TR-500E-2-00101 4 BOOM + 2 JIB, 2M2D
PR1000038-01 DRIVING POWER TRANSMISSION SYSTEM

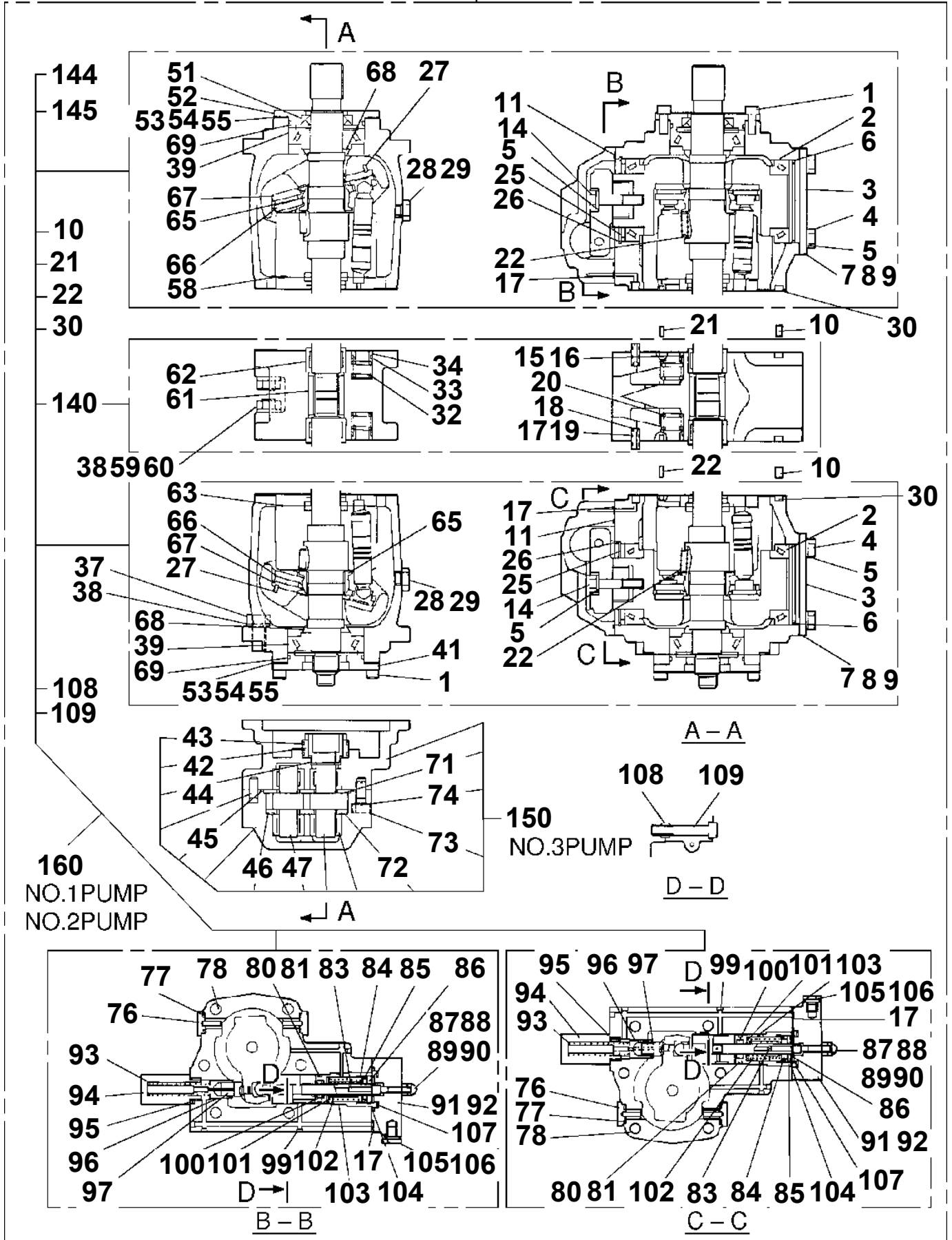
System Name DRIVING POWER TRANSMISSION SYSTEM



TR-500E-2-00101 4 BOOM + 2 JIB, 2M2D
PX1000206-00 MOUNTING PARTS

System NAME MOUNTING PARTS





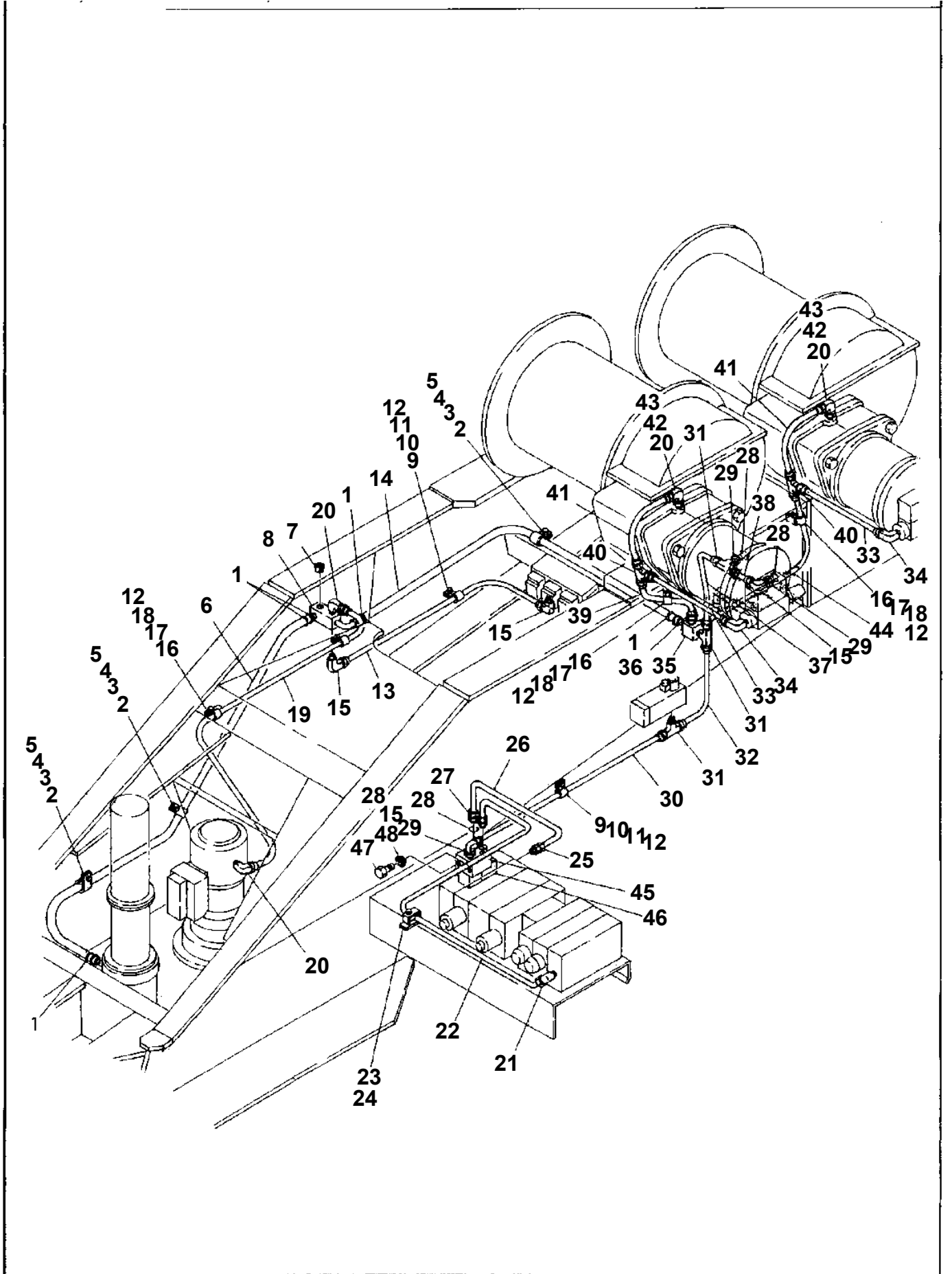
TR-500E-2-00101 4 BOOM + 2 JIB, 2M2D

Pos No.	Parts No	Parts Name	Qty	Unit	Technical Data	Serial No (Start)	Serial No (End)	Remarks	Pages
81	36651645010	SEAL KIT	1						
100	36654010000	PUMP, HYDRAULIC	1						

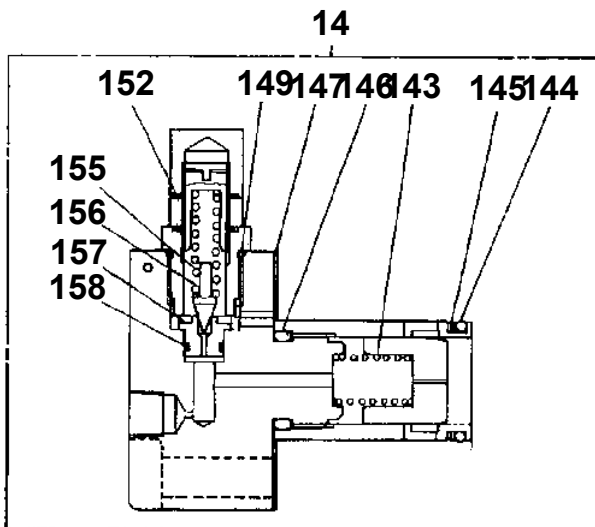
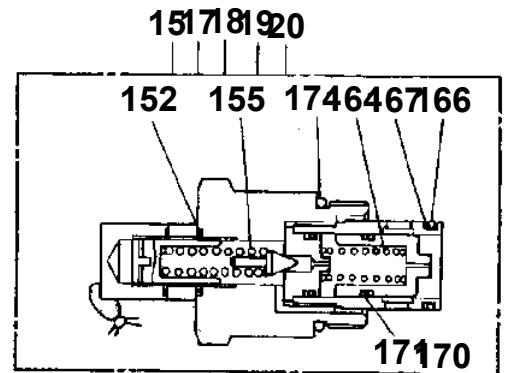
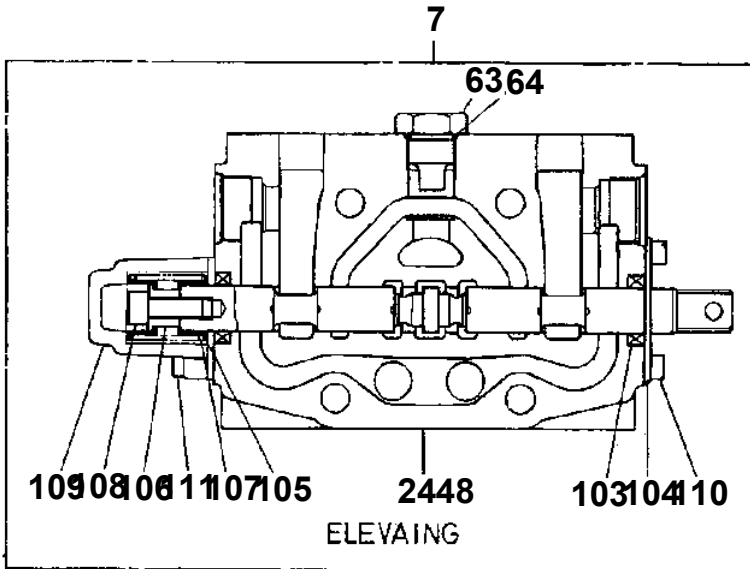
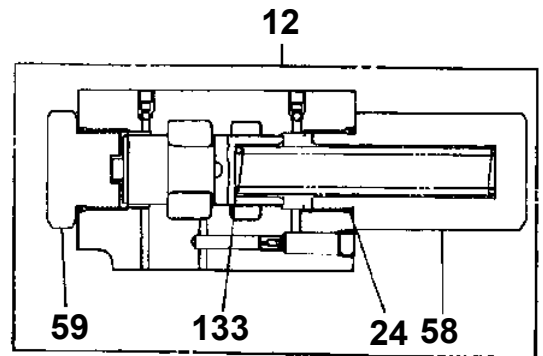
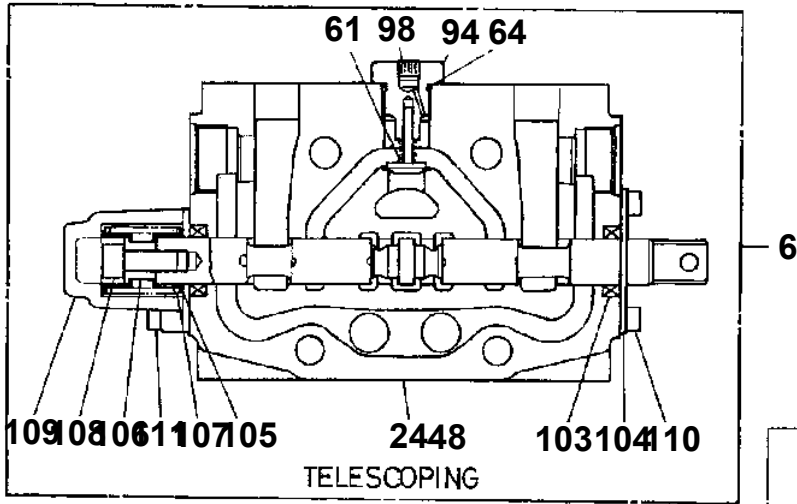
TR-500E-2-00101 4 BOOM + 2 JIB, 2M2D

Pos No.	Parts No	Parts Name	Qty	Unit	Technical Data	Serial No (Start)	Serial No (End)	Rem
1	37000900140	JOINT	4					
2	37000702320	CLAMP ASSY	2		28X2			
3	37002406310	HOSE	1		L=1000			
4	37002406320	HOSE	1		L=800			
5	81408000290	PIPE,STEEL	2	M	22X2.5T			
6	80302090281	FITTING	1		KCO22-060N			
7	80303130281	FITTING,ELBOW	1		KLO22-060E			
8	81408000290	PIPE,STEEL	1	M	22X2.5T			
9	81408000241	PIPE,STEEL	1	M	18X1.9T			
10	80302050140	FITTING	1					
11	81408000290	PIPE,STEEL	1	M	22X2.5T			
12	80302010270	FITTING	5		KCT22-040N			
13	81408000290	PIPE,STEEL	1	M	22X2.5T			
14	91002802400	O-RING	1		1B P24			
15	37002406360	HOSE	1		L=900			
16	37002406390	HOSE	1		L=775			
17	37002406330	HOSE	1		L=580			
18	80460006120	JOINT	1		S,1 1/16-12UNF-G3/4			
19	37002400990	HOSE	1		L=800			
20	37002406290	HOSE	1					
21	37002406300	HOSE	1					
22	37000909030	JOINT	1					
23	19225121000	VALVE,CHECK	1					
24	37000705080	CLAMP ASSY	1					
25	81408000290	PIPE,STEEL	2	M	22X2.5T			
26	37000705060	CLAMP ASSY	1					
27	37000300780	SLEEVE	7		28-22			
28	81408000290	PIPE,STEEL	1	M	22X2.5T			
29	81408000290	PIPE,STEEL	2	M	22X2.5T			
30	81408000341	PIPE,STEEL	2	M	28X3.1T			
31	80320030140	FITTING,ELBOW	1		KLE18-040N			
32	80320030170	FITTING,ELBOW	1		KLE22-040N			
33	37000705070	CLAMP ASSY	1					
35	36640900000	VALVE,SOLENOID	1					
36	90191212045	BOLT	2		M12X45			
37	90201201200	NUT	2		M12			
38	90302041201	WASHER,SPRING	10		12			
39	80305010200	FITTING,TEE	2		KTA220-000N			
40	37000705120	CLAMP ASSY	1					
41	37000705090	CLAMP ASSY	1					
42	91000591200	O-RING	1		AS568-912			
43	80320010180	FITTING	1		KUD22-060N			
44	81408000290	PIPE,STEEL	1	M	22X2.5T			
45	37000300770	SLEEVE	1		28-18			
46	90101510030	BOLT	4		M10X30			
47	90302041001	WASHER,SPRING	4		10			
48	90131512045	BOLT,HEXAGON SOCKET	8		M12X45			
49	81408000290	PIPE,STEEL	1	M	22X2.5T			
50	37000538360	PLATE	1					
51	36602440000	VALVE,RELIEF	1					
52	81408000241	PIPE,STEEL	1	M	18X1.9T			
53	80302010240	FITTING	1					
54	90191208070	BOLT	2		M8X70			
	90101208070	BOLT	2		M8X70	545148		545147
55	90201200800	NUT	2		M8			
56	90302040801	WASHER,SPRING	2		8			
61	91002802400	O-RING	1		1B P24			
71	91000521900	O-RING	2		AS568-219-1B			

TR-500E-2-00101 4 BOOM + 2 JIB, 2M2D
PB1270002-00 PIPING,DRAIN



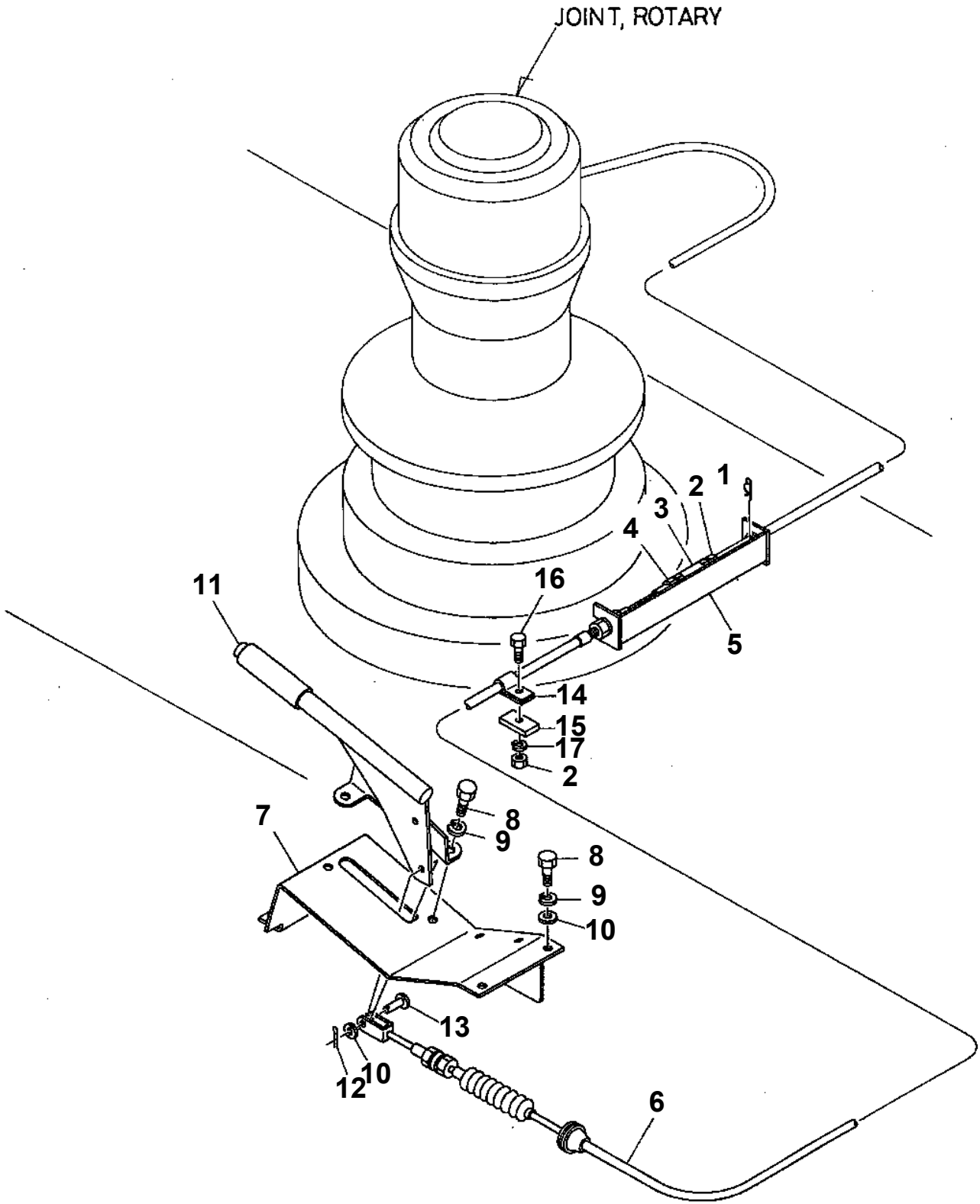
TR-500E-2-00101 4 BOOM + 2 JIB, 2M2D
 PB1320461-00 VALVE, MANUAL CONTROL



TR-500E-2-00101 4 BOOM + 2 JIB, 2M2D

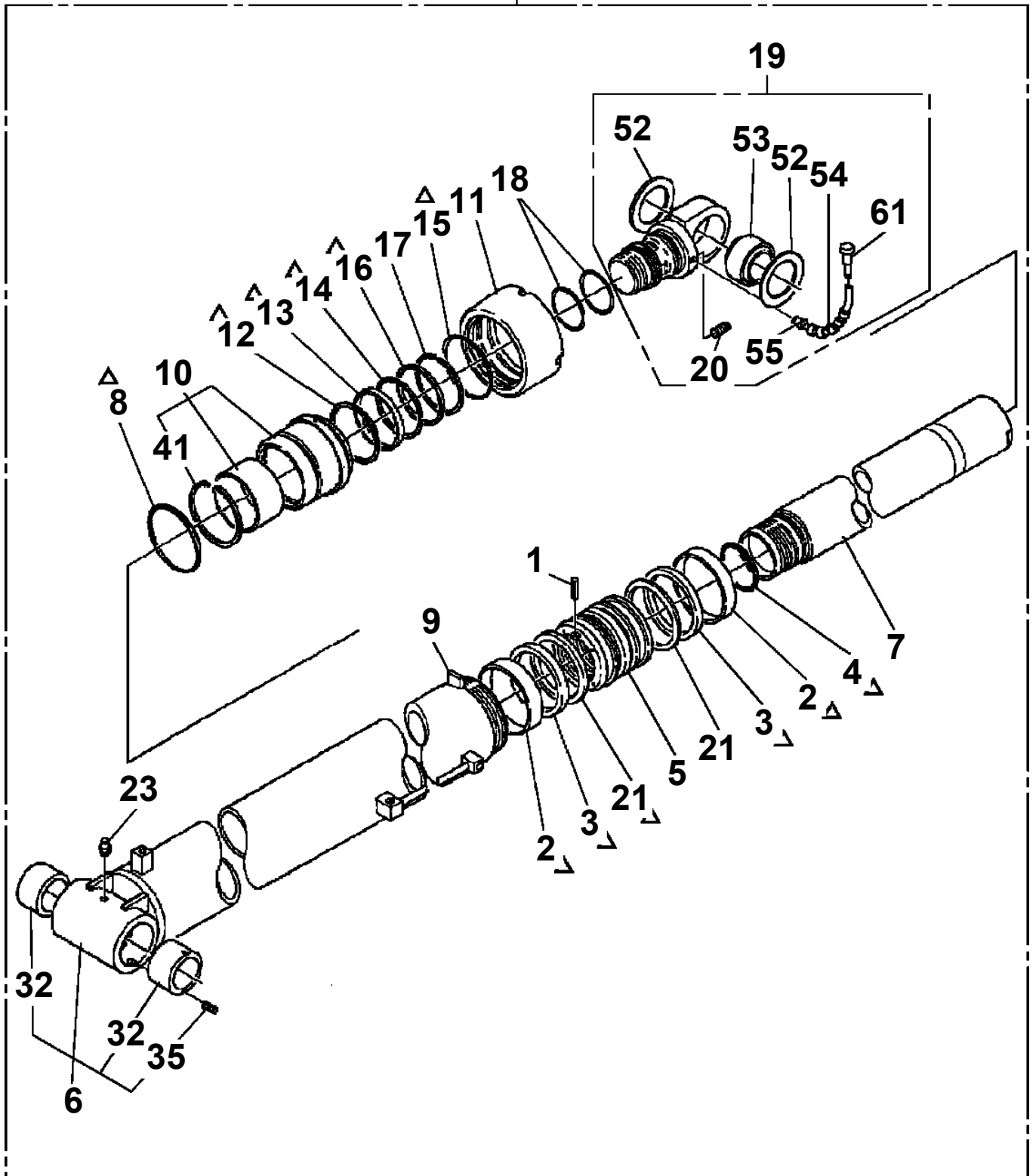
Pos No.	Parts No	Parts Name	Qty	Unit	Technical Data	Serial No (Start)	Serial No (End)	Remarks
1	80301010100	FITTING	12		KUA12-000N			
2	37000702270	CLAMP ASSY	16					
3	81408000160	PIPE,STEEL	3	M	12X1.4T			
4	81408000160	PIPE,STEEL	3	M	12X1.4T			
5	81408000241	PIPE,STEEL	2	M	18X1.9T			
6	81408000241	PIPE,STEEL	2	M	18X1.9T			
7	81408000160	PIPE,STEEL	3	M	12X1.4T			
8	81408000160	PIPE,STEEL	3	M	12X1.4T			
9	81408000160	PIPE,STEEL	2	M	12X1.4T			
10	81408000160	PIPE,STEEL	2	M	12X1.4T			
11	80330004900	FITTING,TEE	4		KTR12X18X12			
12	37002406470	HOSE	12		L=900			
13	81408000160	PIPE,STEEL	1	M	12X1.4T			
14	81408000160	PIPE,STEEL	1	M	12X1.4T			
15	81408000160	PIPE,STEEL	1	M	12X1.4T			
16	81408000160	PIPE,STEEL	1	M	12X1.4T			
17	81408000160	PIPE,STEEL	2	M	12X1.4T			
18	81408000160	PIPE,STEEL	1	M	12X1.4T			
19	81408000241	PIPE,STEEL	2	M	18X1.9T			
20	81408000241	PIPE,STEEL	2	M	18X1.9T			
21	81408000160	PIPE,STEEL	1	M	12X1.4T			
22	81408000160	PIPE,STEEL	1	M	12X1.4T			
23	81408000160	PIPE,STEEL	3	M	12X1.4T			
24	81408000160	PIPE,STEEL	3	M	12X1.4T			
25	81408000241	PIPE,STEEL	1	M	18X1.9T			
26	81408000241	PIPE,STEEL	1	M	18X1.9T			
27	81408000160	PIPE,STEEL	2	M	12X1.4T			
28	81408000160	PIPE,STEEL	2	M	12X1.4T			
29	81408000160	PIPE,STEEL	2	M	12X1.4T			
30	81408000160	PIPE,STEEL	2	M	12X1.4T			
31	80305050160	FITTING,TEE	1		KTK18-040N			
32	80303030270	FITTING,ELBOW	1		KLN22-040N			
33	81408000290	PIPE,STEEL	1	M	22X2.5T			
34	81408000290	PIPE,STEEL	1	M	22X2.5T			
35	80330000200	FITTING,TEE	1		KTZ-00004N			
36	37000702310	CLAMP ASSY	3					
37	37000705000	CLAMP ASSY	1					
38	80301010160	FITTING	2		KUA18-000N			
39	37000705050	CLAMP ASSY	1					
40	36620560000	VALVE,CHECK	1					
41	80303130281	FITTING,ELBOW	2		KLO22-060E			
42	90101210025	BOLT	12		M10X25			
43	90302041001	WASHER,SPRING	12		10			
44	36640260000	VALVE,SOLENOID	1				545246	
	36640260001	VALVE,SOLENOID	1			545247		
45	34640084500	FITTING,FLANGE	4					
46	34640084600	SUPPORT	4					
47	36640080000	VALVE,SOLENOID	4				545168	
	36645730000	VALVE,SOLENOID (NACHI)	4			545169		
60	91002802400	O-RING	2		1B P24			

TR-500E-2-00101 4 BOOM + 2 JIB, 2M2D
PD1100015-00 OPERATION SYSTEM, SWING BRAKE



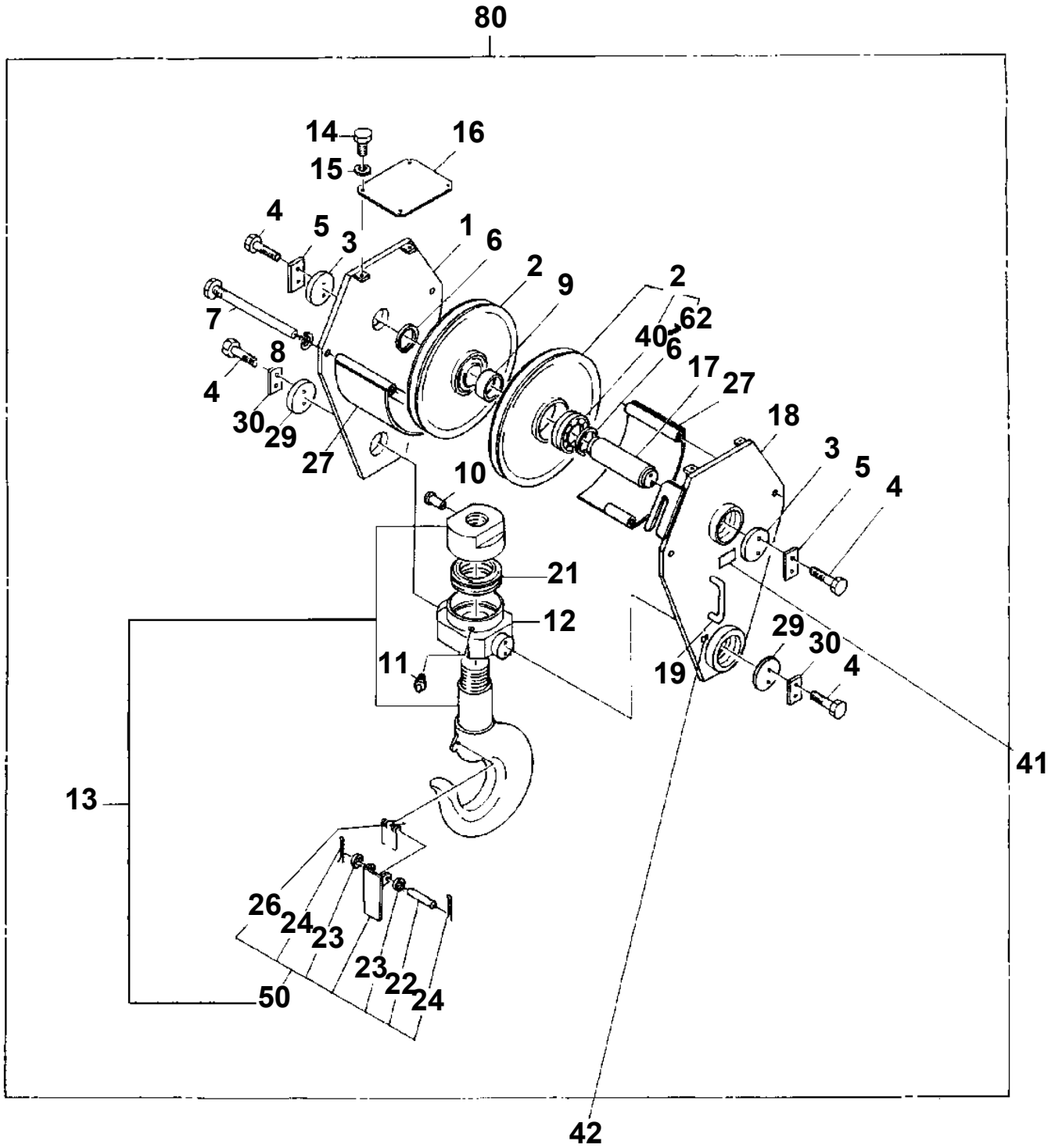
TR-500E-2-00101 4 BOOM + 2 JIB, 2M2D
 PE1010049-04 CYLINDER,ELEVATING

100

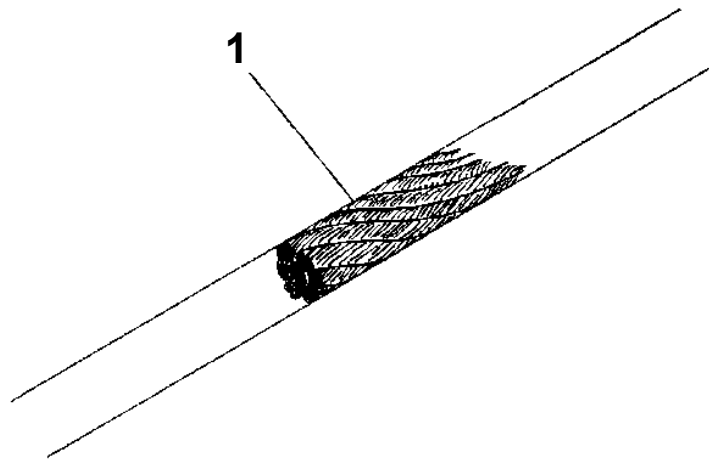


△: PACKING SET KEY NO90 (KEY NO. 2, 3, 4, 8, 12, 13, 14, 15, 16, 21)

TR-500E-2-00101 4 BOOM + 2 JIB, 2M2D
PF1050053-02 HOOK (SHEAVE 2 PC'S)



TR-500E-2-00101 4 BOOM + 2 JIB, 2M2D
PF1070032-00 ROPE, WIRE (TSK)



TR-500E-2-00101 4 BOOM + 2 JIB, 2M2D

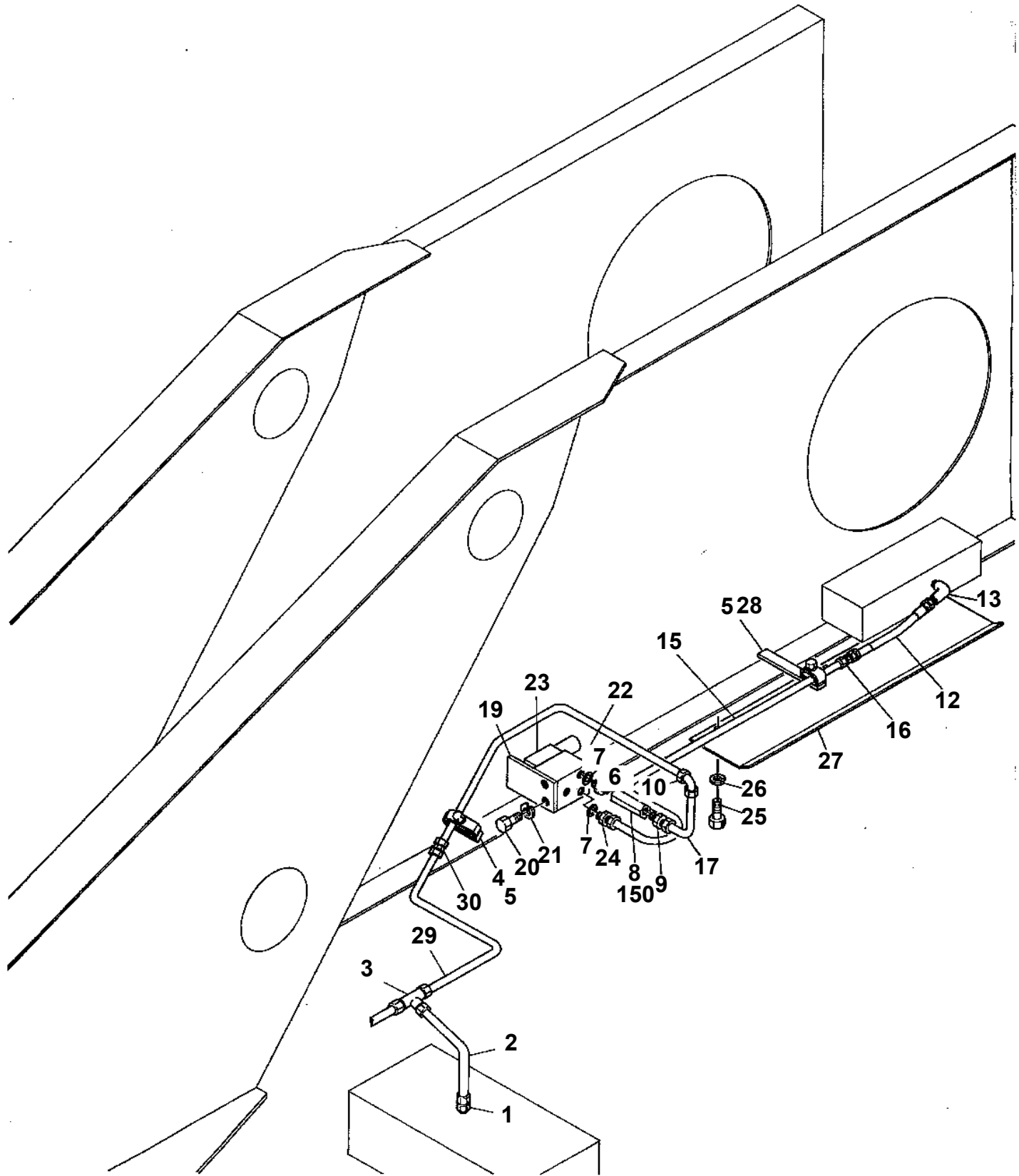
PF1250043-01 DETECTOR, DRUM ROTATION (MAIN, OPTION)

Assembly

Name

PIPING, WINCH BRAKE (IMID)

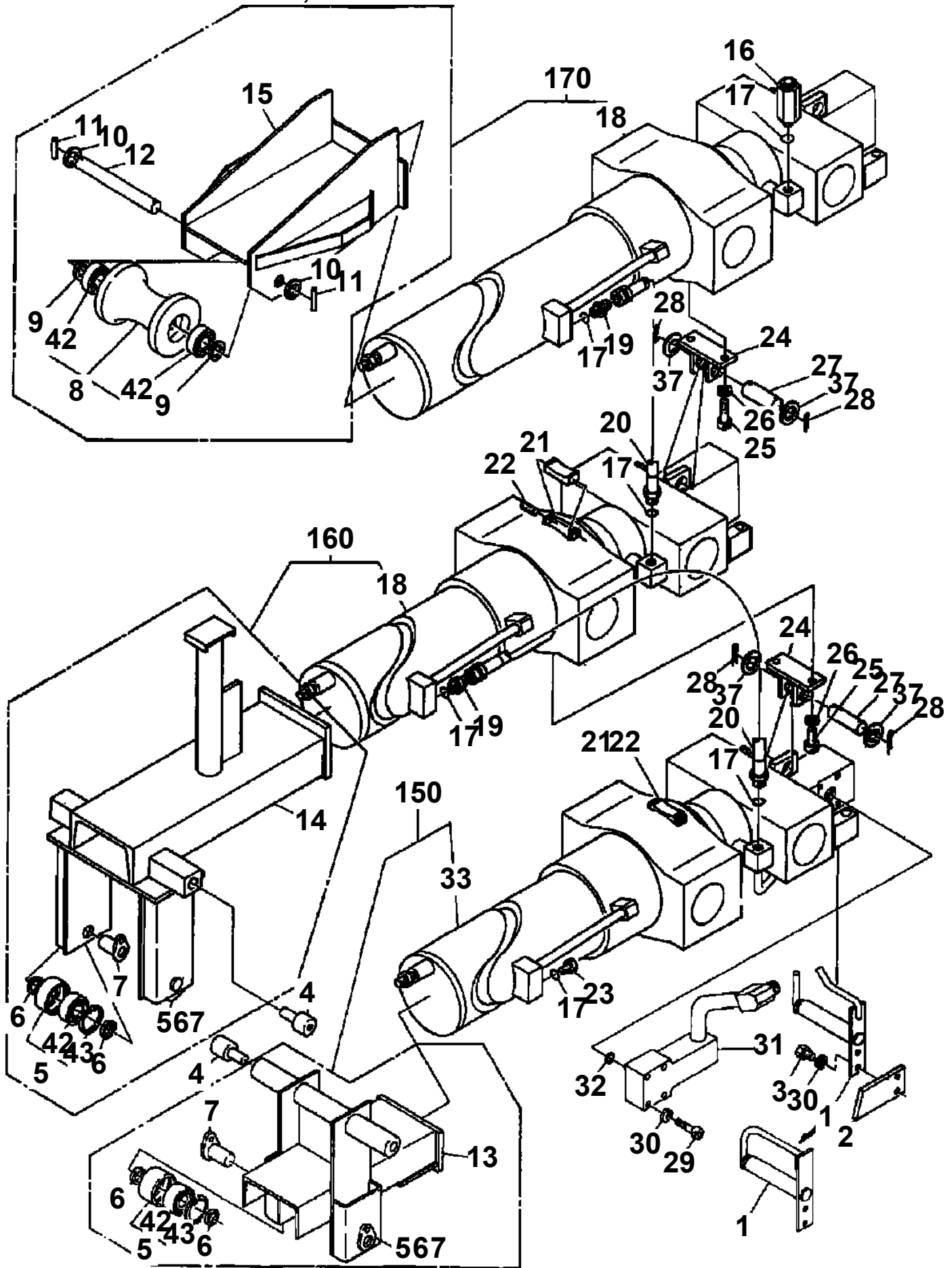
PF122-0043-00



TR-500E-2-00101 4 BOOM + 2 JIB, 2M2D

Pos No.	Parts No	Parts Name	Qty	Unit	Technical Data	Serial No (Start)	Serial No (End)	Remarks
1	34200331000	BOOM, TOP	1					
2	34200032500	BOOM, 3RD	1					
3	34200332000	BOOM, 2ND	1					
4	34200819510	BOOM, BASE	1					
5	37000100690	PIN	1					
6	12511005000	PIN (STOPPER)	1					
7	80561100180	NUT	1		AW18			
8	80562100180	WASHER, TOOTH	1		AW18			
9	37000100730	PIN	1					
10	37000300070	SPACER	1		L=72			
11	37000300090	SPACER	1		L=23.5			
12	37000300080	SPACER	7		L=1.6			
13	37001002890	SHEAVE ASSY	1				545203	
	37001002890	SHEAVE ASSY	7			545204		
14	37001000100	SHEAVE ASSY	6				545203	
15	37000100950	PIN ASSY	2					
16	37000100770	PIN	1					
17	90101516035	BOLT	4		M16X35			
18	90302041601	WASHER, SPRING	16		16			
19	33200000060	PLATE	2					
22	82458202000	NIPPLE, GREASE	6		B-TYPE PT1/8		545145	
	82458202000	NIPPLE, GREASE	7		B-TYPE PT1/8	545146		
23	90101516130	BOLT	6		M16X130			
24	90201401600	NUT	12		M16			
32	90101512028	BOLT	20		M12X28			
33	90302041201	WASHER, SPRING	20		12			
34	34200075800	RETAINER	1					
35	34200075850	RETAINER	1					
36	37002000570	PLATE, SLIDE	4					
37	90102506010	BOLT	10		M6X1.0			
38	90303070801	WASHER, PLAIN	12		8			
40	34200036101	RETAINER	1					
41	34200036201	RETAINER	1					
42	37002001390	PLATE, SLIDE	2					
43	34200036300	RETAINER	2					
44	37002001380	PLATE, SLIDE	2					
45	80601110750	RING, RITAINING	6		S75			
46	37000109080	PIN	1					
47	37000400030	BEARING, PLAIN	2					
48	90730010160	SCREW, SET	2		M10X16			
49	90102506020	BOLT	6		M6X20			
50	37002001360	PLATE, SLIDE	2				545100	
51	33200000380	SHIM	20		T=1.0		545100	
	33200000380	SHIM	16		T=1.0	545101		
52	33200000390	SHIM	12		T=0.6		545100	
	33200000390	SHIM	8		T=0.6	545101		
53	90131506020	BOLT, HEXAGON SOCKET	24		M6X20		545100	
	90131506020	BOLT, HEXAGON SOCKET	20		M6X20	545101		
54	80602110750	RING, RITAINING	6		R75			
55	37000118780	PIN	2					
56	37000109070	PIN	1					
57	37002001830	PLATE, SLIDE	4				545100	
	37002001830	PLATE, SLIDE	2			545101		
58	37000109110	PIN	2					
59	37000109060	PIN	1					
60	37002001610	PLATE, SLIDE	2					
61	19411013000	SHIM	6		T=1.0			
62	33200000350	SHIM	4		T=0.6			
63	37000109100	PIN	2					
64	90101516030	BOLT	12		M16X30			
65	33200000230	PLATE	2					
66	37000100810	PIN	2					
67	37002001560	PLATE, SLIDE	2					

TR-500E-2-00101 4 BOOM + 2 JIB, 2M2D
PG1050046-02 CYLINDER,TELESCOPING



TR-500E-2-00101 4 BOOM + 2 JIB, 2M2D

Pos No.	Parts No	Parts Name	Qty	Unit	Technical Data	Serial No (Start)	Serial No (End)	Remarks
1	36670445010	DRUM	1					
2	36670445020	CASE	1					
3	36670665011	PIN	1					
4	80516006008	BEARING,BALL	1		6008ZZ			
5	16246595020	RING ASSY (RL)	2					
7	80516006007	BEARING,BALL	1					
8	80601110350	RING,RITAINING	1		S35			
9	80516006009	BEARING,BALL	1					
10	36670445040	SUPPORT	2					
11	90102208012	BOLT	2		M8X12			
12	36670445050	PLATE	2					
13	36670445060	SPRING	2					
14	36670445070	SPACER	1					
15	90730005120	SCREW,SET	3		M5X12			
16	90102208016	BOLT	6		M8X16			
17	90302040801	WASHER,SPRING	10		8			
18	90201200800	NUT	6		M8			
19	36670445080	COLLAR	1					
20	36670445090	PIN (STOP)	2					
21	36630005070	SPRING	2					
22	36670665020	BOX (SPRING)	1					
23	90131706010	BOLT,HEXAGON SOCKET	1		M6X10			
24	36670445200	ROLLER ASSY	1					
25	36670445121	ARM (A)	1					
26	36670445131	ARM (B)	1					
27	36670445151	SPRING	2					
28	36670445140	PIN	2					
29	90303131501	WASHER,PLAIN	2		15			
30	80136332025	PIN,SPLIT	2		3.2X25			
31	90132510020	BOLT,HEXAGON SOCKET	1		M10X20			
32	90302041001	WASHER,SPRING	1		10			
33	80712105025	PIN,TAPER	1		5X25			
34	36670665030	GROMMET	1					
35	36670445150	RETAINER	1					
36	90180208016	BOLT,BUTTON	3		M8X16			
45	14137207000	PLATE,NAME (GREASE)	2					
51	36670445210	SHAFT	1					
52	36670445220	ROLLER	1					
53	36670445230	ARM (A)	1					
54	36670445240	ARM (B)	1					
55	80516006004	BEARING,BALL	2					
56	36670445250	COLLAR (A)	2					
57	80601110200	RING,RITAINING	2		S20			
58	36670445260	PLATE	1					
59	90101208016	BOLT	2		M8X16			
61	82458202000	NIPPLE,GREASE	1		B-TYPE PT1/8			
62	82455204000	NIPPLE,GREASE	1					
64	36670445270	COLLAR (B)	2					
65	80602110420	RING,RITAINING	2		R42			
70	36670801000	REEL,HOSE	1					
80	37002404950	HOSE	1		L=18800			
90	36670808011	REEL,HOSE	1					

TR-500E-2-00101 4 BOOM + 2 JIB, 2M2D

Pos No.	Parts No	Parts Name	Qty	Unit	Technical Data	Serial No (Start)	Serial No (End)	F
1	(*****)	REEL,HOSE	1					
2	80430620800	JOINT	1					
3	37002412790	HOSE	1		L=1120			
4	37002406810	HOSE	2		L=950			
5	81408000290	PIPE,STEEL	1	M	22X2.5T			
6	37000906400	JOINT	1					
7	80302010270	FITTING	1		KCT22-040N			
8	36600570000	VALVE,CONTROL (TELESCOPING)	1					
9	90101212025	BOLT	8		M12X25			
10	90302041201	WASHER,SPRING	8		12			
11	37002406960	HOSE	3		FH1,FH3/4			
12	90101510030	BOLT	40		M10X30			
13	90201201600	NUT	4		M16			
14	90302041601	WASHER,SPRING	4		16			
15	90303071601	WASHER,PLAIN	4		16			
16	37000514250	SUPPORT	2					
17	37000514260	PLATE	2					
18	36650010000	FLOW DIVIDER	1					
19	37002406800	HOSE	1		L=1090			
20	80303130281	FITTING,ELBOW	1		KLO22-060E			
21	80430621200	JOINT	1					
22	37000906440	FITTING,FLANGE	1					
23	91002903000	O-RING	1		1B G30			
24	90302041001	WASHER,SPRING	16		10			
25	90131510030	BOLT,HEXAGON SOCKET	8		M10X30			
26	37002406820	HOSE	1		FH1			
27	37002406840	HOSE	1		L=1600			
28	36640270000	VALVE,HYDRAULIC	1					
29	33340210060	FITTING,FLANGE	1					
30	37000906420	JOINT	1					
31	37002406980	HOSE	1		L=950			
32	34340143500	PLATE	1					
33	90101210022	BOLT	4		M10X22			
34	37000906410	FITTING,FLANGE	1					
35	91002902500	O-RING	2		1B G25			
37	37002402110	HOSE	1		L=1490			
38	82400000142	FASTENER	1					
39	80430450450	JOINT	1		YL502			
41	37000531650	PLATE	1					
42	82100002014	CLAMP	1		WR20			
43	90101506016	BOLT	1		M6X16			
44	90201200600	NUT	1		M6			
45	90302040601	WASHER,SPRING	1		6			
50	91002802400	O-RING	2		1B P24			
61	91000521400	O-RING	3		AS568-214-1B			
62	91000521900	O-RING	6		AS568-219-1B			
63	91000522200	O-RING	1		AS568-222-1B			
71	91002801800	O-RING	1		1B P18			

TR-500E-2-00101 4 BOOM + 2 JIB, 2M2D

Pos No.	Parts No	Parts Name	Qty	Unit	Technical Data	Serial No (Start)	Serial No
1	14128208000	RING	3				
2	37001900840	WIRE	1		L=1290		
3	33370090010	WEIGHT (PLATE WORKING)	1				
4	37001900820	WIRE	1		L=1440		
5	37002900000	SHACKLE ASSY	1				
6	33370888040	SWITCH,OVER WIND DETECTOR (JIB&S/T)	1				
7	37000117960	PIN	1				
8	90000000090	RING	1				
11	34370051010	SUPPORT	3				
12	82100002506	CONNECTOR	3				
13	14148375000	GROMMET	3				
14	37000300590	SPACER	2		L=30		
15	82100000207	CLAMP	11				
16	90928040061	SCREW,TAPPING	11		M4X6		
17	82100002505	CONNECTOR (CN-6)	4				
18	34470434200	SUPPORT	1				
19	33370086100	SUPPORT	1				
20	14128208000	RING	1				
21	34370311100	SUPPORT ASSY	1				
24	82100000865	TERMINAL	2				
25	90101206016	BOLT	2		M6X16		
26	90303290600	WASHER,PLAIN	2		6		
27	90302040601	WASHER,SPRING	2		6		
28	90201200600	NUT	2		M6		
31	90201201200	NUT	1		M12		
32	34370311110	SUPPORT	1				
33	90303071201	WASHER,PLAIN	1		12		
34	90302041201	WASHER,SPRING	1		12		
35	90258001200	NUT	1		M12		
36	90101212060	BOLT	1		M12X60		

TR-500E-2-00101 4 BOOM + 2 JIB, 2M2D

Pos No.	Parts No	Parts Name	Qty	Unit	Technical Data	Serial No (Start)	Serial No (End)	Remarks
1	34350174010	CAM	1					
2	34350174300	SWITCH ASSY	1					
3	34350174020	SUPPORT	1					
4	82400000208	GROMMET	1					
5	90190000019	BOLT	2		M10X40			
6	34350174100	CAM	1					
7	34350174200	SWITCH ASSY	1					
8	90131504035	BOLT,HEXAGON SOCKET	4		M4X35			
9	90303070401	WASHER,PLAIN	4		4			
10	90302040401	WASHER,SPRING	4		4			
11	90201200400	NUT	4		M4			
12	82100002006	CLAMP	1		WR10			
14	90190000008	BOLT,STUD	1		M6X20			
15	90201200600	NUT	1		M6			
16	90302040601	WASHER,SPRING	1		6			

TR-500E-2-00101 4 BOOM + 2 JIB, 2M2D

Pos No.	Parts No	Parts Name	Qty	Unit	Technical Data	Serial No (Start)	Serial No (End)
1	36112485010	BODY ASSY	1				
2	36112485020	AMPLIFIER	1				
3	36112485030	COVER ASSY (FUSE)	1				
4	36112485040	BOARD,CPU (M1,WITHOUT P-ROM)	1				
5	36112485050	PLATE	1				
6	36112485060	BOARD,POWER	1				
7	36112485070	ESCUTCHEON	1				
8	36116455080	PANEL,FRONT (WITH PANEL BOARD)	1				
9	36112485090	BOARD,LED	1				
10	36116455100	PLATE ASSY (SIDE)	1				
11	36112485110	PLATE ASSY	1				
12	82100000689	FUSE	1		3A,6.5X30		
13	82100000791	FUSE	1		5A,6.5X30		
14	(*****)	P-ROM	1				
30	36116451000	MOMENT LIMITER(LOAD MOMENT INDICATOR)	1				
50	36116450000	LOAD MOMENT INDICATOR	1				

TR-500E-2-00101 4 BOOM + 2 JIB, 2M2D

Pos No.	Parts No	Parts Name	Qty	Unit	Technical Data	Serial No (Start)	Serial No (End)
1	19491111400	O-RING	4				
2	19491111410	O-RING	2				
3	19491111420	O-RING	2				
4	19491111430	SEAL,OIL	1				
5	80602110300	RING,RITAINING	1		R30		
6	90131506020	BOLT,HEXAGON SOCKET	16		M6X20		
7	19491111440	WASHER	16				
10	36660925010	KEY	1				
30	36660920000	MOTOR,HYDRAULIC (COOLER,OIL)	1				

TR-500E-2-00101 4 BOOM + 2 JIB, 2M2D

Pos No.	Parts No	Parts Name	Qty	Unit	Technical Data	Serial No (Start)	Serial No (End)	Remarks
1	36640905010	VALVE,SOLENOID	1					
2	36640315020	PLATE	1					
3	90131506035	BOLT,HEXAGON SOCKET	4		M6X35			
4	80316030080	PLUG	1		PT1/2			
10	36640900000	VALVE,SOLENOID	1					
12	36640165010	COVER (A)	1					
13	36640905020	COVER (B)	1					
15	19045104120	RETAINER	2					
16	19045110030	PIN	1					
17	36640165020	SPRING	1					
18	36640165050	GUIDE KIT	1					
22	36640375010	NUT	1					
24	36640905030	COIL KIT	1					
25	36640255040	CONNECTOR	1					
26	36640165040	PACKING	1					
27	90131506015	BOLT,HEXAGON SOCKET	8		M6X15			
28	80316030020	PLUG	1		PT1/8			
29	91056100300	O-RING	1		1A P3			
30	91059101200	O-RING	5		1B P12			
31	91059102800	O-RING	3		1B P28			
32	91056203000	O-RING	1		1A G30			
35	36640315030	SPRING	1					
36	90131504008	BOLT,HEXAGON SOCKET	1		M4X8			

TR-500E-2-00101 4 BOOM + 2 JIB, 2M2D

Pos No.	Parts No	Parts Name	Qty	Unit	Technical Data	Serial No (Start)	Serial No (End)	Remarks
2	36640165010	COVER (A)	1				545272	
3	19045104110	COVER (B)	1				545272	
5	19045110010	RETAINER	2				545272	
6	36641345010	SPACER	4				545272	
7	19045110030	PIN	1				545272	
8	19225107080	SPRING	1				545272	
9	19225107090	SPRING	1				545272	
13	19045110070	SPACER	1				545272	
18	36640485030	CONNECTOR	1				545272	
19	19045110110	PACKING (COIL)	1				545272	
20	90131505008	BOLT,HEXAGON SOCKET	8		M5X8		545272	
21	80316030020	PLUG	1		PT1/8		545272	
22	91001100300	O-RING	1		1A P3		545272	
23	91002800900	O-RING	4		1B P9		545272	
24	91000501800	O-RING	1		ARP568-018		545272	
25	36640565040	O-RING	1				545272	
26	91000501900	O-RING	2				545272	
29	90131505045	BOLT,HEXAGON SOCKET	4		M5X45		545272	
31	56651095560	GUIDE ASSY	1				545272	
32	36640565050	COIL ASSY	1				545272	
41	36641341000	VALVE,SOLENOID	1			545273		
42	90131905045	BOLT,HEXAGON SOCKET	4		M5X45	545273		
52	36641687510	PLUG	1			545273		
54	36641687520	RETAINER (A)	2			545273		
55	36641687530	RETAINER (B)	2			545273		
56	36641687540	RETAINER (C)	1			545273		
57	36640175040	SPACER	4			545273		
58	36641687550	SPRING (A)	1			545273		
59	36641687560	SPRING (C)	1			545273		
60	36642915020	NUT	1			545273		
61	36641687570	ROD	1			545273		
62	36641687580	GUIDE (SOLENOID)	1			545273		
63	36641345030	COIL,SOLENOID	1			545273		
65	36646375030	SCREW	2			545273		
66	91000501200	O-RING	4			545273		
67	91001102000	O-RING	1		1A P20	545273		
68	91002801800	O-RING	2		1B P18	545273		
69	91001002500	O-RING	1		S25	545273		
100	36641340000	VALVE,SOLENOID	1					

TR-500E-2-00101 4 BOOM + 2 JIB, 2M2D

Pos No.	Parts No	Parts Name	Qty	Unit	Technical Data	Serial No (Start)	Serial No (End)	Remarks
2	36640175020	COVER (B)	2				545272	
4	36640175030	RETAINER	2				545272	
5	36640175040	SPACER	4					
6	36642665010	SPRING (C)	2				545272	
	36641687560	SPRING (C)	2			545273		
8	36642665020	NUT	2				545193	
	36642915020	NUT	2			545194	545251	
	36642665020	NUT	2			545252	545272	
9	36640175050	PLUNGER	2				545272	
10	36640175060	GUIDE	2			545194	545272	
11	36640175070	PIN	2				545272	
12	36640175080	SPACER	2				545272	
13	36640175090	STOPPER	2				545272	
14	36645735010	CONNECTOR	2				545193	
15	36645025040	COIL	2				545193	
16	36642665050	CASE	2				545193	
	36642665050	CASE	2			545203	545272	
17	36642665060	WASHER	4				545193	
	36642665060	WASHER	4			545203	545272	
18	70320127590	BOLT,HEXAGON SOCKET	8				545272	
19	36645265090	SCREW	2				545193	
	36646375030	SCREW	2			545194		
20	36370105600	O-RING	2				545193	
	36645735030	O-RING	2			545194	545272	
21	91002800900	O-RING	4		1B P9		545272	
	91000501200	O-RING	4			545273		
22	91000501700	O-RING	2				545272	
23	36640565040	O-RING	4				545272	
24	91000501900	O-RING	2				545272	
25	90172105045	BOLT,HEXAGON SOCKET	4		M5X45		545251	
	90131905045	BOLT,HEXAGON SOCKET	4		M5X45	545252		
26	36640175120	ROD	2				545272	
	36641687570	ROD	2			545273		
53	36641687520	RETAINER (A)	2			545273		
54	36641687530	RETAINER (B)	2			545273		
55	36645735040	COIL,SOLENOID	2			545194	545202	
	36645735050	COIL,SOLENOID	2			545203	545251	
	36640175100	COIL,SOLENOID	2			545252	545272	
	36646375050	COIL,SOLENOID	2			545273		
57	36642915020	NUT	2			545273		
59	36641687580	GUIDE (SOLENOID)	2			545273		
64	91001102000	O-RING	2		1A P20	545273		
65	91002801800	O-RING	2		1B P18	545273		
66	91001002500	O-RING	2		S25	545273		
100	36645730000	VALVE,SOLENOID (NACHI)	1					

TR-500E-2-00101 4 BOOM + 2 JIB, 2M2D

Pos No.	Parts No	Parts Name	Qty	Unit	Technical Data	Serial No (Start)	Serial No (End)	Remarks	Pag
2	34470057520	VALVE ASSY (LV-12)	1						
3	90102206020	BOLT	1		M6X20				
4	34470057530	WASHER	1						
6	90102208020	BOLT	4		M8X20				
7	90302040801	WASHER,SPRING	4		8				
8	91001205000	O-RING	1		1A G50				
9	36620475040	JOINT	1						
20	36620470000	VALVE,CHECK	1						

TR-500E-2-00101 4 BOOM + 2 JIB, 2M2D

Pos No.	Parts No	Parts Name	Qty	Unit	Technical Data	Serial No (Start)	Serial No (End)	Remarks	Pages
2	36620025020	PLUG	2				545397		
	36651835130	PLUG	2		3/8	545398			
3	36620025030	PLUG	2				545397		
	36603925030	PLUG	2			545398			
4	36620025040	FILTER	2				545397		
	36651715300	FILTER	2			545398			
5	36620025050	SPRING	2				545397		
	36642925020	SPRING	2			545398			
6	91002801400	O-RING	2		1B P14				
7	91002800800	O-RING	2		1B P8				
8	19491046020	PLUG	4		NPTF1/16				
9	80560058000	BALL,STEEL	2		9/32				
30	36620020000	VALVE,CHECK	1						

TR-500E-2-00101 4 BOOM + 2 JIB, 2M2D

Pos No.	Parts No	Parts Name	Qty	Unit	Technical Data	Serial No (Start)	Serial No (End)	Remarks
10	36610200000	VALVE, FLOW CONTROL	1					

TR-500E-2-00101 4 BOOM + 2 JIB, 2M2D

Pos No.	Parts No	Parts Name	Qty	Unit	Technical Data	Serial No (Start)	Serial No (End)	R
2	91002804400	O-RING	3		1B P44			
3	91411004400	RING,BACKUP	3		P44			
6	16265153060	SPRING	1					
9	91002801600	O-RING	1		1B P16			
11	91001002200	O-RING	1		S22		545099	
13	16265153130	SPRING-A	1				545099	
	16265153131	SPRING	1			545100		
14	16265153140	SPRING-B	1				545099	
	16265153141	SPRING	1			545100		
16	36601665060	O-RING	1		P30			
17	91410003000	RING,BACKUP <P30.	1					
18	91002804000	O-RING	1		1B P40			
20	91002801250	O-RING	1		1B P12.5			
21	91410001250	RING,BACKUP	1		P12.5			
22	91002802800	O-RING	1		1B P28		545099	
	91002802600	O-RING	1		1B P26	545100		
30	16265153000	CARTRIDGE, COUNTERBALANCE	1					

CLICK HERE TO **DOWNLOAD** THE COMPLETE MANUAL

- Thank you very much for reading the preview of the manual.
- You can download the complete manual from: www.heydownloads.com by clicking the link below



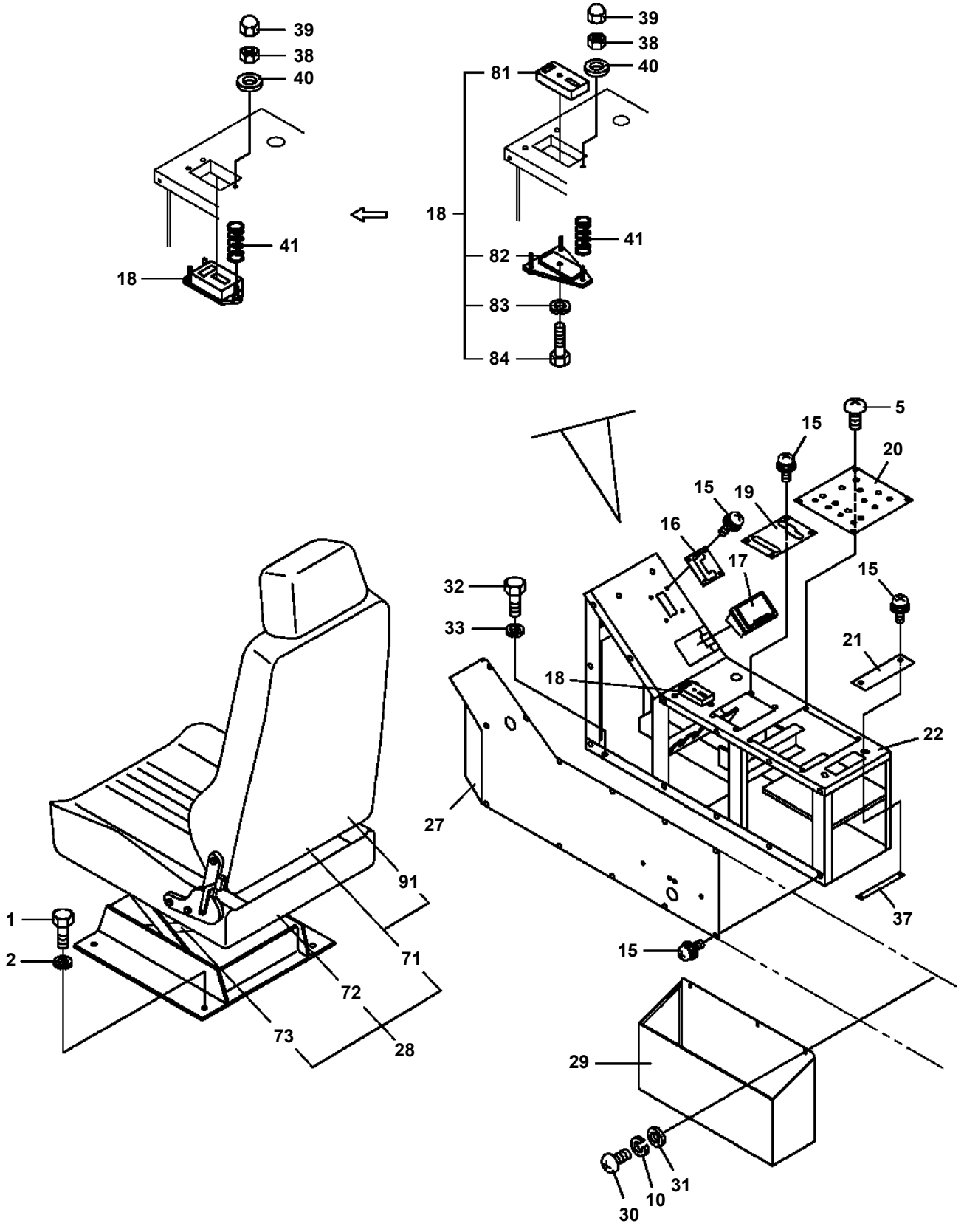
- Please note: If there is no response to CLICKING the link, please download this PDF first and then click on it.

CLICK HERE TO **DOWNLOAD** THE COMPLETE MANUAL

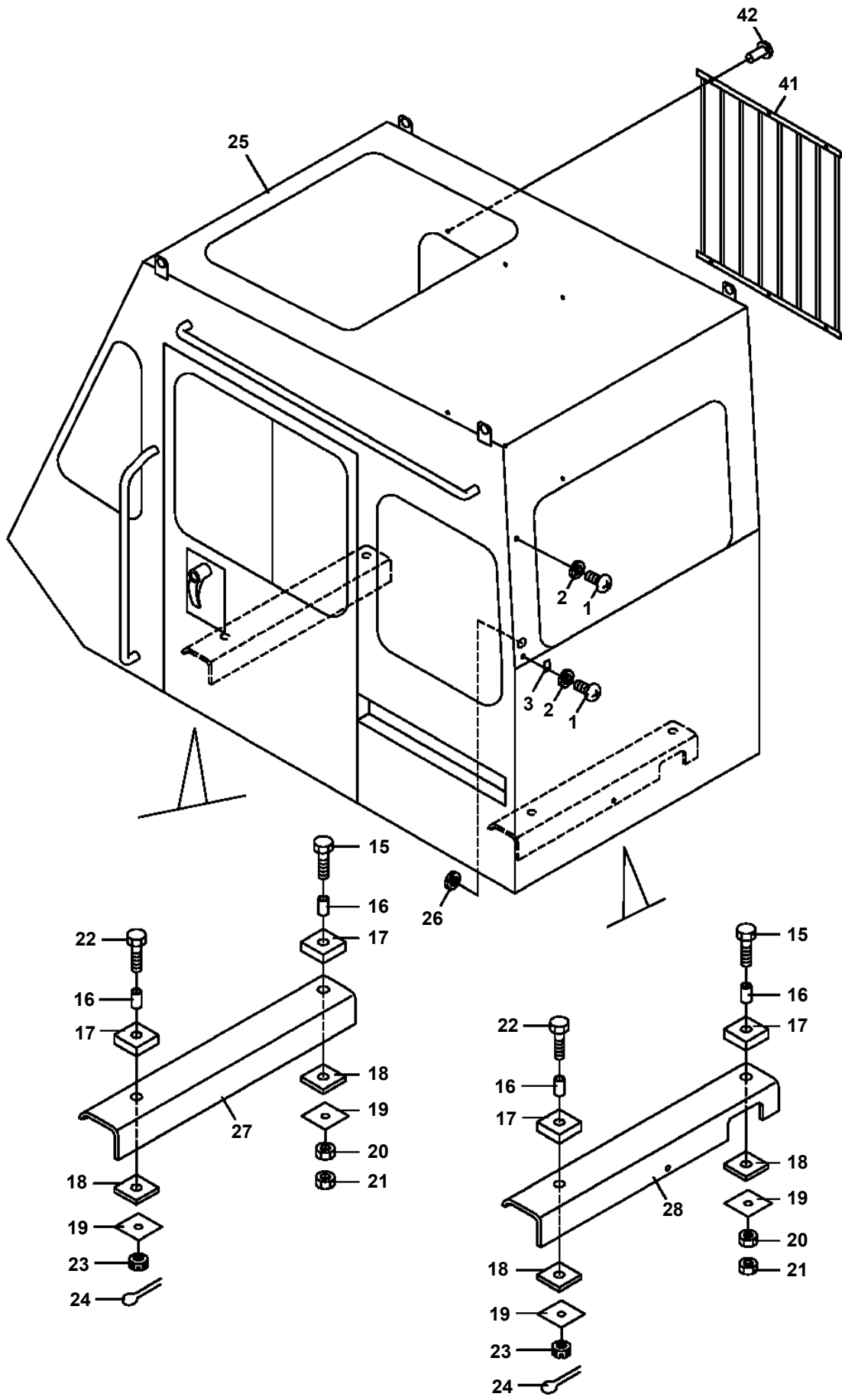
TR-500E-2-00101 4 BOOM + 2 JIB, 2M2D

Pos No.	Parts No	Parts Name	Qty	Unit	Technical Data	Serial No (Start)	Serial No
1	36671035070	BODY	1				
2	36671035080	COVER ASSY	1				
4	36671035010	ELEMENT	1				
5	36671035090	VALVE,RELIEF	1				
8	36671035040	PLUG (DRAIN)	1				
9	36671035050	BOLT,HEXAGON SOCKET (WITH WASHER)	4				
10	91001207500	O-RING	1		1A G75		
11	91001204000	O-RING	1		1A G40		
12	91001103200	O-RING	1		1A P32		
14	91001204000	O-RING	1		1A G40		
15	91001101400	O-RING	1		1A P14		
16	91001101800	O-RING	1		1A P18		
17	91001101400	O-RING	1		1A P14		
18	36671035060	PLUG	1				
20	36671030000	FILTER,OIL	1				

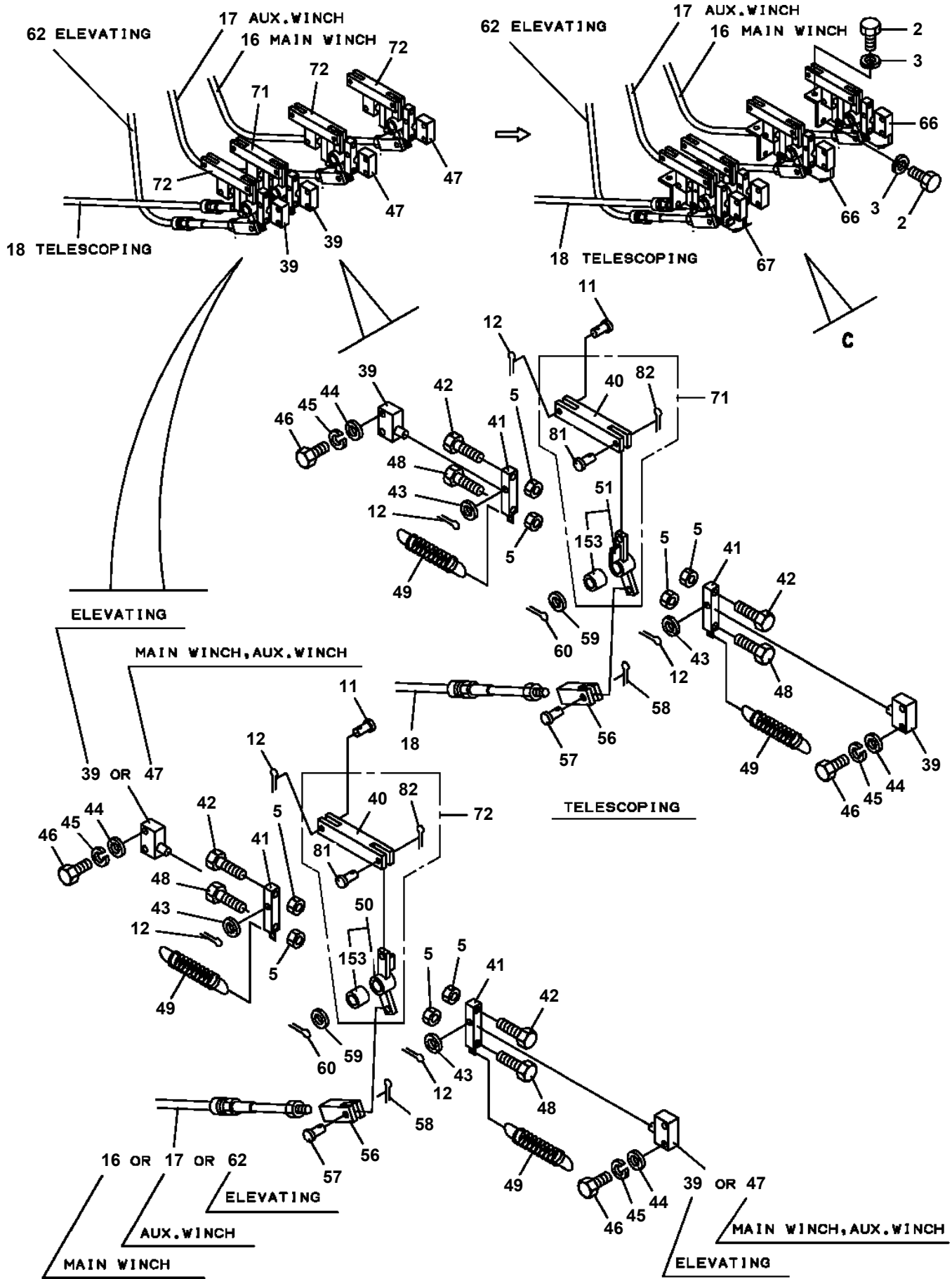
TR-500E-2-00101 4 BOOM + 2 JIB, 2M2D
PK1120107-02 SWING TABLE



TR-500E-2-00101 4 BOOM + 2 JIB, 2M2D
PK1140106-00 CAB, OPERATOR



**TR-500E-2-00101 4 BOOM + 2 JIB, 2M2D
 PL1010347-01 OPERATION SYSTEM, CONTROL VALVE**



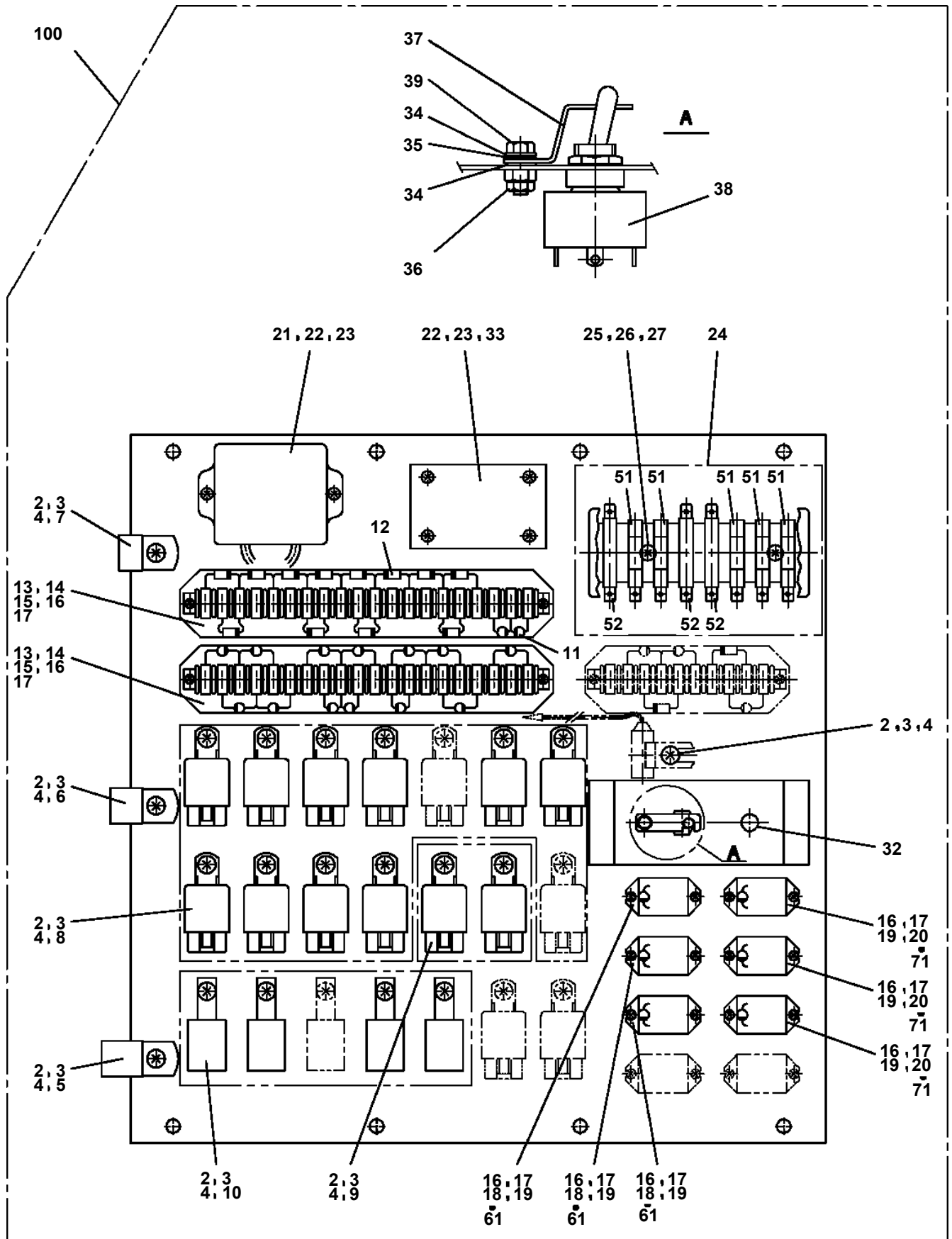
TR-500E-2-00101 4 BOOM + 2 JIB, 2M2D

Pos No.	Parts No	Parts Name	Qty	Unit	Technical Data	Serial No (Start)	Serial No (End)	Remarks
1	36600515010	VALVE KIT (REPAIR KIT)	1					
10	36600510000	VALVE,ACCELERATOR	1					

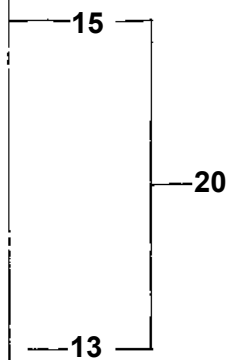
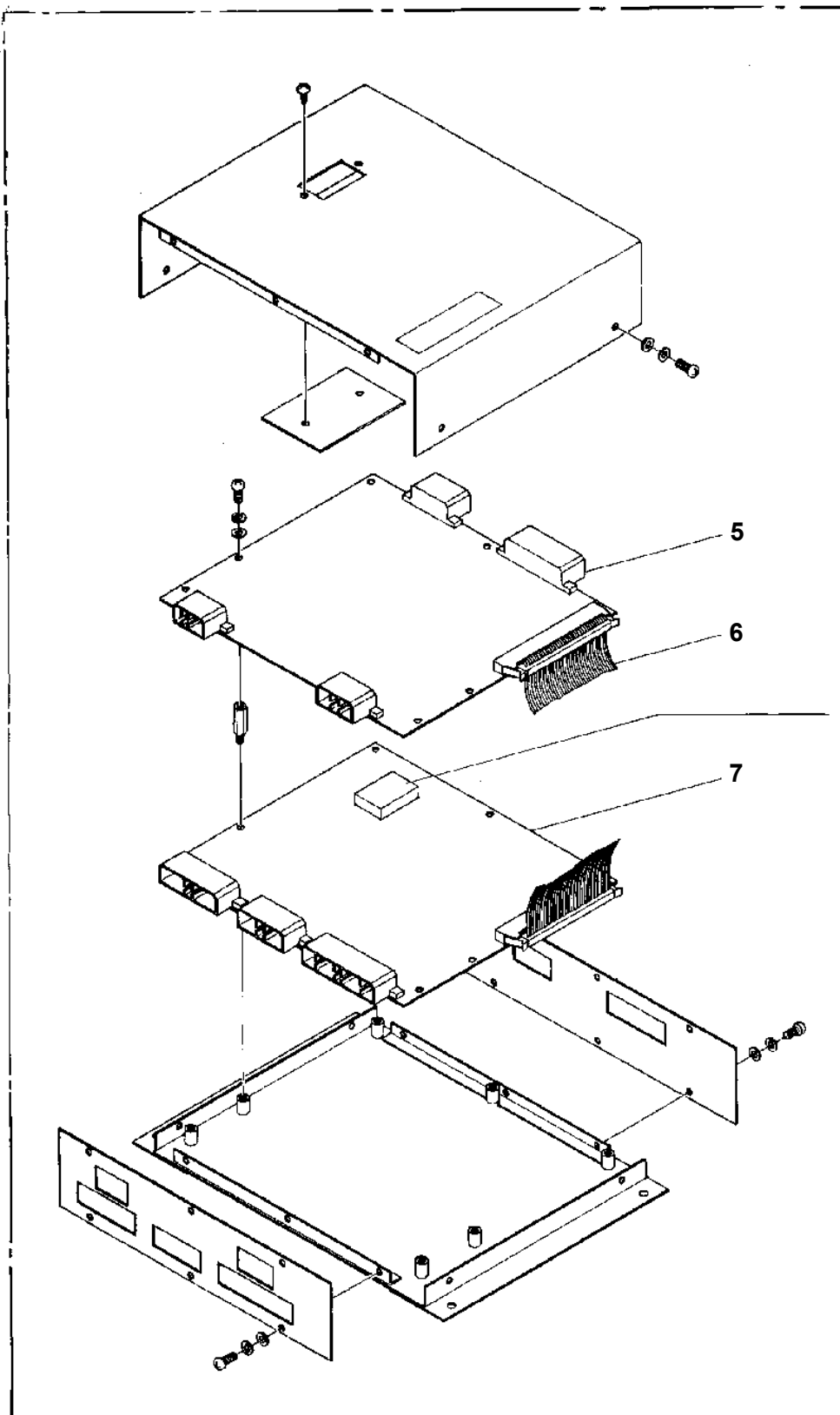
TR-500E-2-00101 4 BOOM + 2 JIB, 2M2D

Pos No.	Parts No	Parts Name	Qty	Unit	Technical Data	Serial No (Start)	Serial No (End)	Remarks	Page
1	33430000060	LAMP ASSY	1						
2	82100001173	CLAMP ASSY	27		L=65				
3	82400000205	GROMMET	1						
4	82100002002	CLAMP	4		WR6				
5	82100002018	CLAMP	1		WR35				
6	82100002014	CLAMP	2		WR20				
7	82100002010	CLAMP	3		WR15				
8	90190000008	BOLT,STUD	7		M6X20				
9	90201200600	NUT	7		M6				
10	90302040601	WASHER,SPRING	14		6				
11	90101206012	BOLT	7		M6X12				
12	90303070601	WASHER,PLAIN	4		6				
13	19218101000	WASHER,WINDOW	1						00016
14	34351573100	HARNESS	1						
15	34351573200	HARNESS	1						
16	34351573300	HARNESS	1						
17	82183901010	CONDENSER	1						
18	34350850520	CABLE	1						
19	90101210025	BOLT	2		M10X25				
20	90302041001	WASHER,SPRING	2		10				
21	37000548880	PLATE	2						
22	34351410900	SWITCH ASSY	1						
23	34351416500	COVER	1						
24	90101208012	BOLT	4		M8X12				
25	90302040801	WASHER,SPRING	4		8				
26	90303070801	WASHER,PLAIN	4		8				
41	82100001171	BULB,LAMP	1		24V 60W				

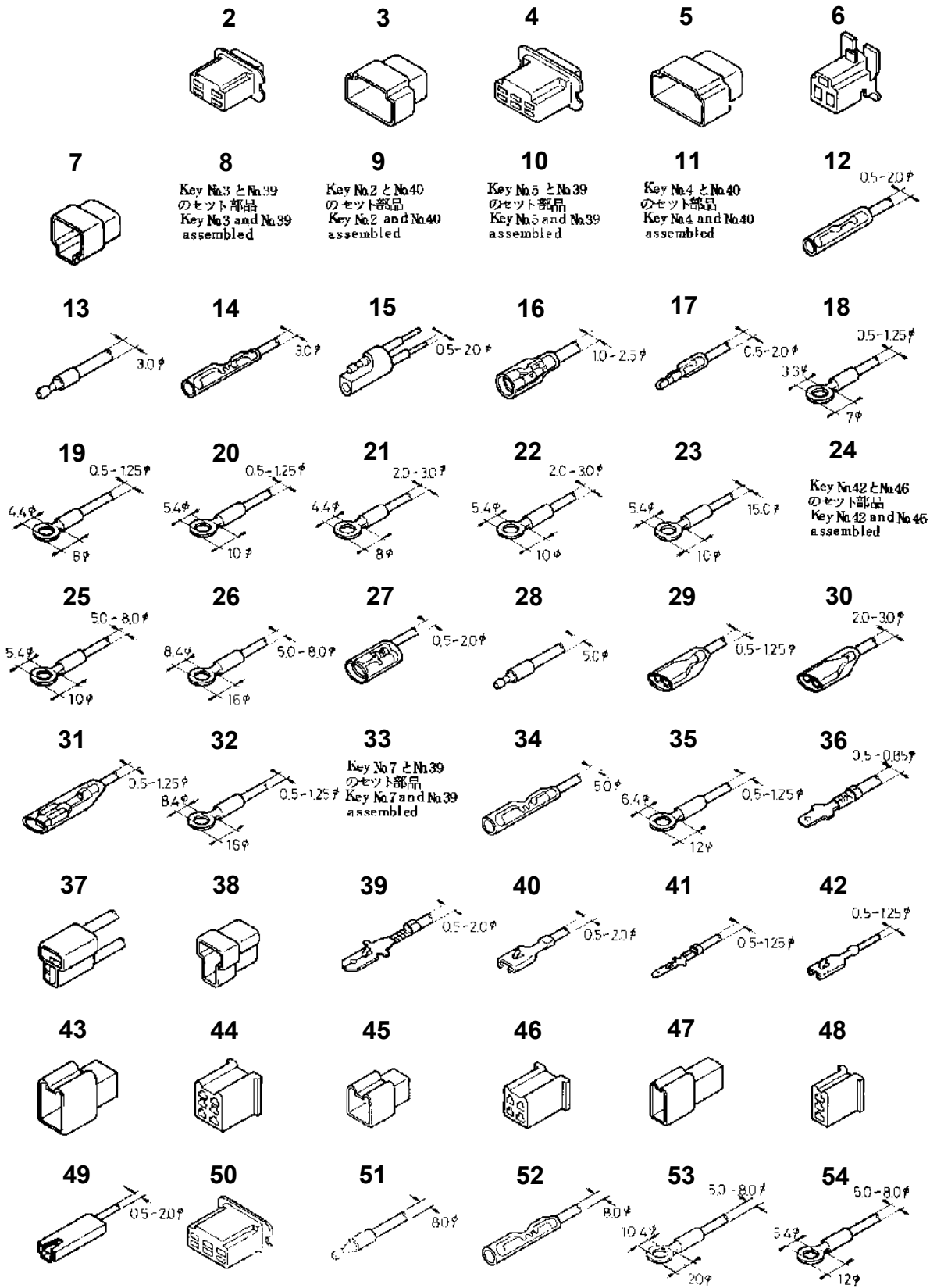
TR-500E-2-00101 4 BOOM + 2 JIB, 2M2D
 PN1110056-01 RELAY ASSY (CAB)



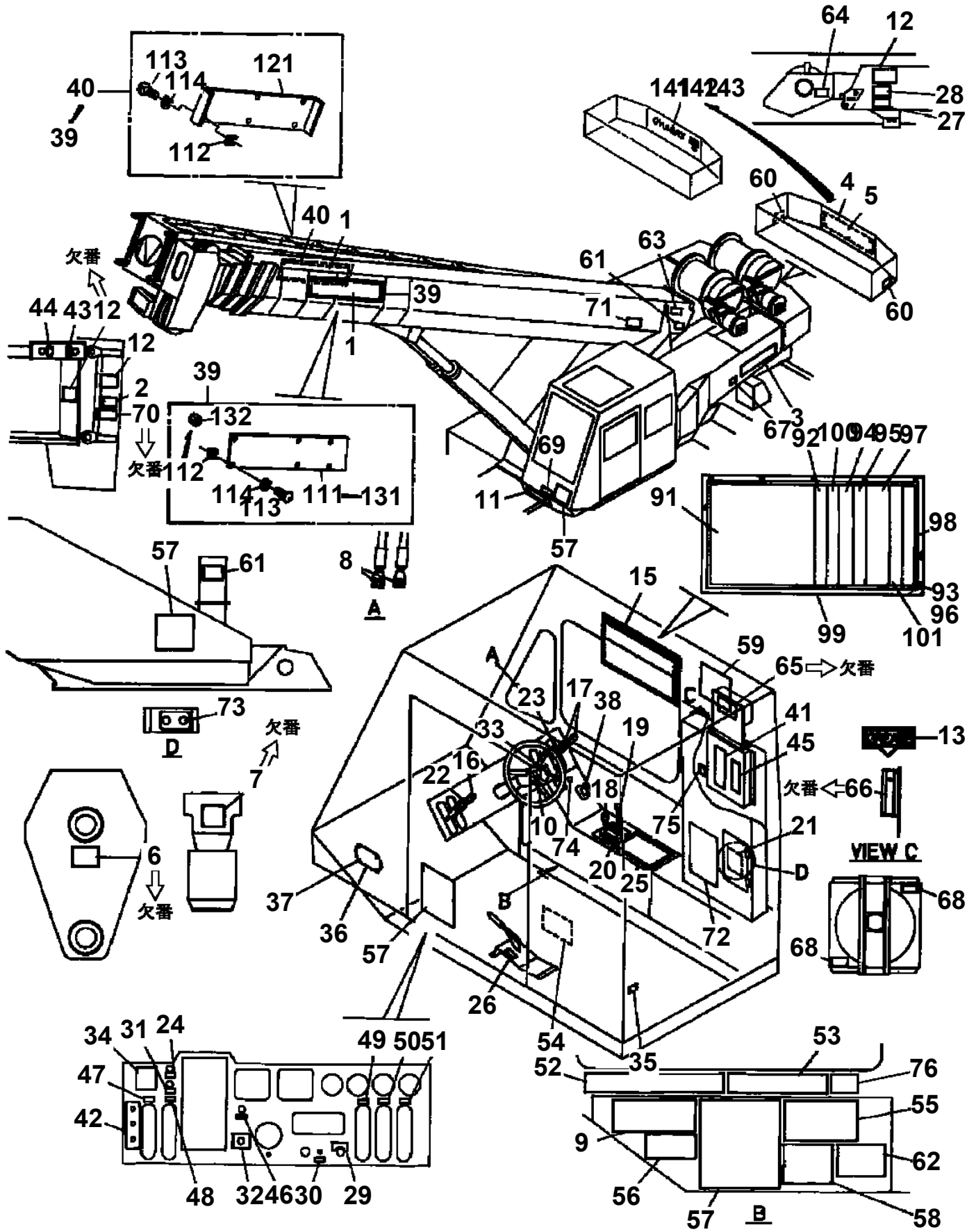
TR-500E-2-00101 4 BOOM + 2 JIB, 2M2D
PN1200005-00 TRANSMITTER, MULTI. DATA (UPPER)



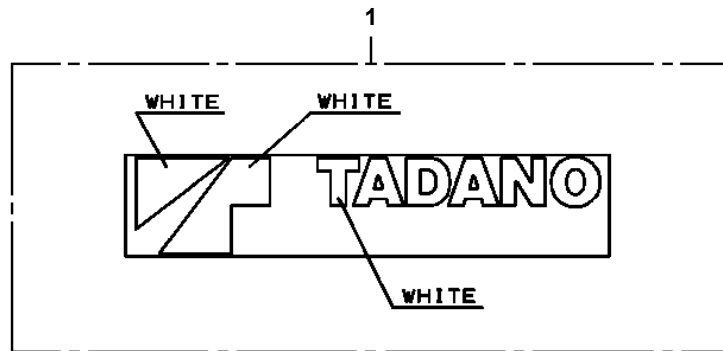
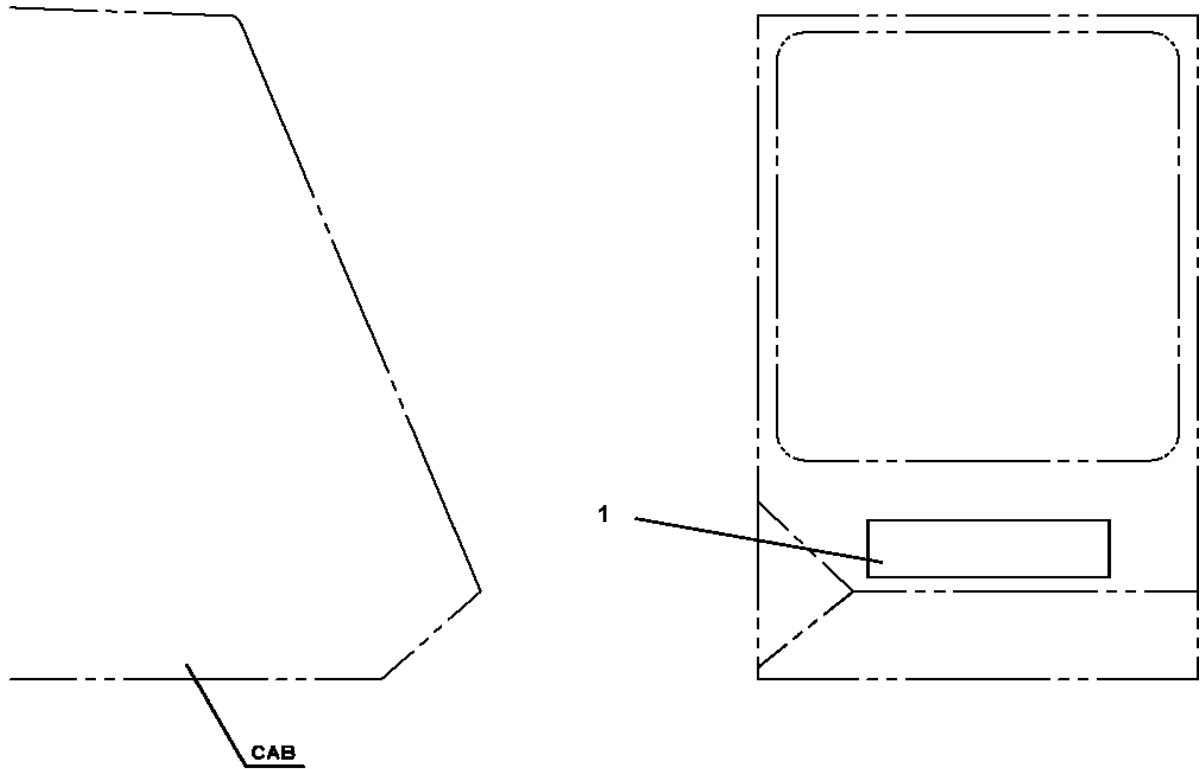
**TR-500E-2-00101 4 BOOM + 2 JIB, 2M2D
PN1400011-00 WIRING MATERIALS**



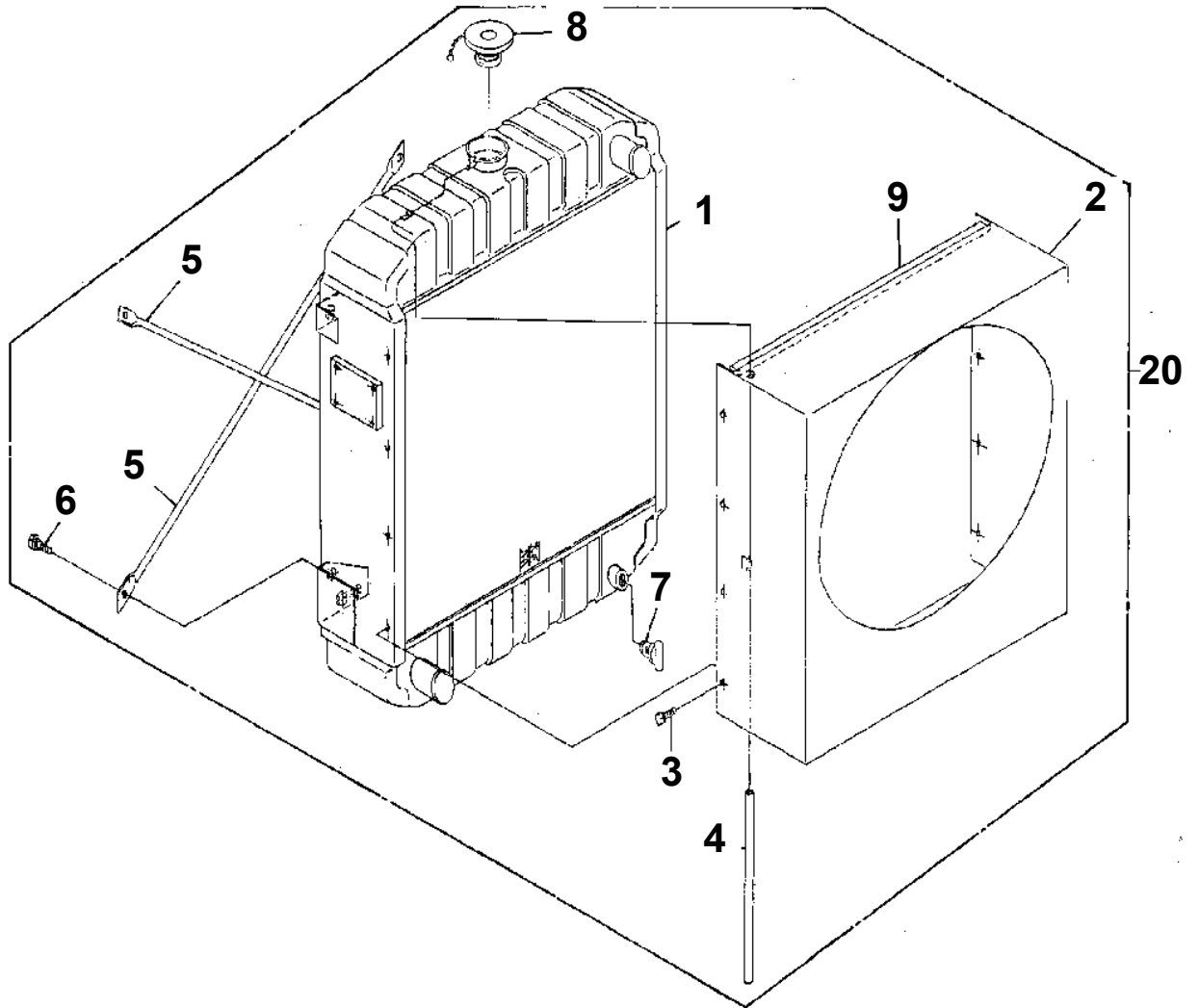
TR-500E-2-00101 4 BOOM + 2 JIB, 2M2D
 PO1010888-04 PLATE ASSY,NAME (UPPER)



TR-500E-2-00101 4 BOOM + 2 JIB, 2M2D
PO1030006-00 TADANO (CAB,WHITE/WHITE)



TR-500E-2-00101 4 BOOM + 2 JIB, 2M2D
PQ1030006-00 RADIATOR



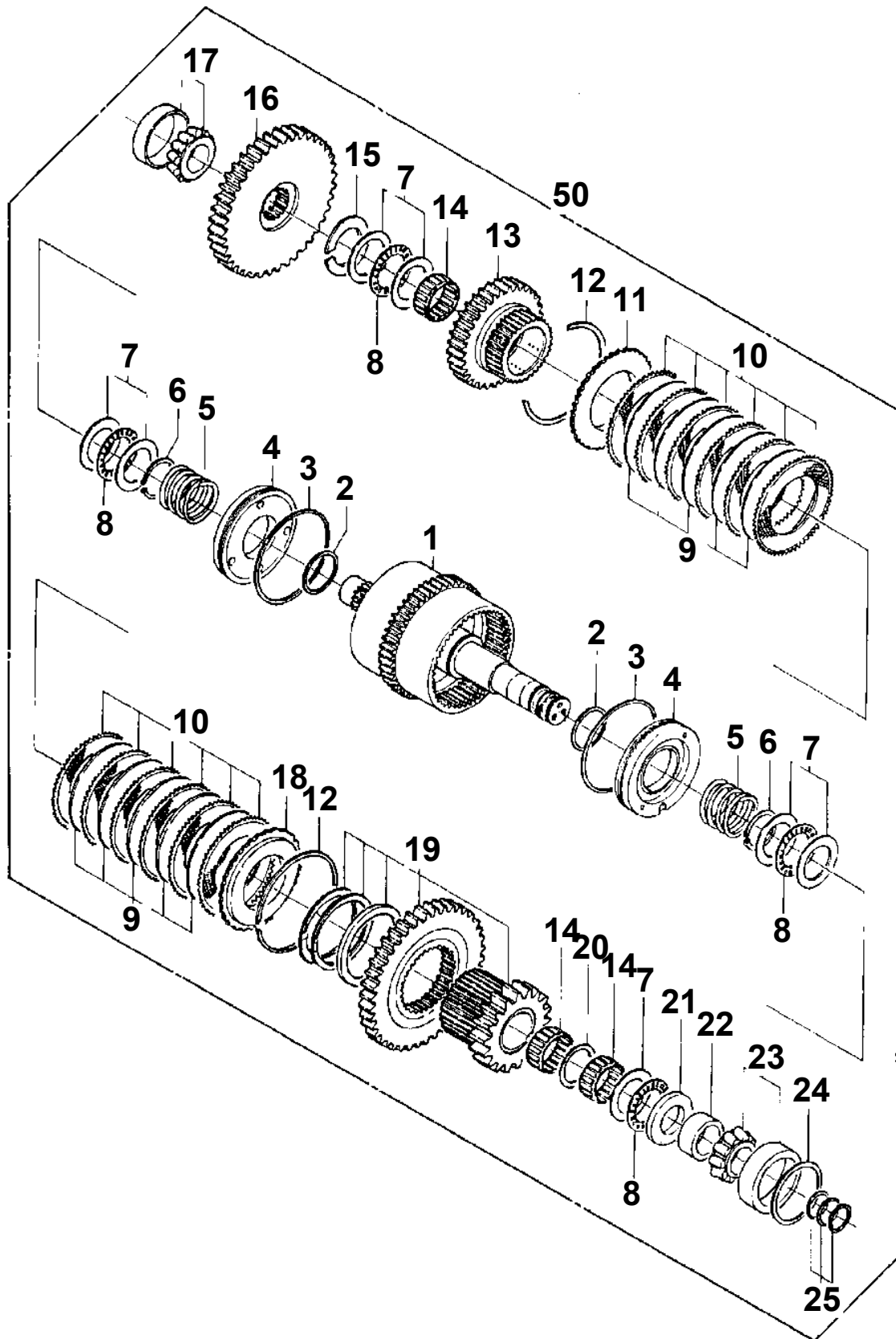
TR-500E-2-00101 4 BOOM + 2 JIB, 2M2D

Pos No.	Parts No	Parts Name	Qty	Unit	Technical Data	Serial No (Start)	Serial No (E
1	34880177570	HEAD	1			545268	545650
	34880177650	HEAD	1			545651	
2	34880177540	ELEMENT ASSY	1				
3	34880177510	CASE	1				545267
	34880177580	CASE	1			545268	
4	34880177520	NUT,RING	1				545267
	34880177590	NUT,RING	1			545268	
5	34880177550	SPRING	1				
6	34880177560	RETAINER (SPRING)	1				
7	34880167560	PLUG,AIR	1				545267
	34880177600	PLUG,AIR	1			545268	
8	34880167550	GASKET (AIR PLUG)	1				545093
	34880167551	GASKET (AIR PLUG)	1			545094	
9	34880167620	PLUG ASSY (DRAIN)	1				545783
	34880177630	PLUG (DRAIN)	1			545784	
10	34880177530	O-RING	1				
11	34880177620	LABEL (CAUTION)	1			545268	
12	34880167590	JOINT,SWIVEL	2		L=35		545093
	34880167591	JOINT,SWIVEL	2		L=48	545094	
13	34880167580	BOLT (CONNECTOR)	2				545267
	34880167581	BOLT (CONNECTOR)	2			545268	
14	34880167600	GASKET	4				545093
	34880167601	GASKET (CONNECTOR)	4			545094	
15	34880177640	GASKET	1			545784	
30	34880171000	SEPARATOR,WATER (WITH PRE-FILTER)	1				

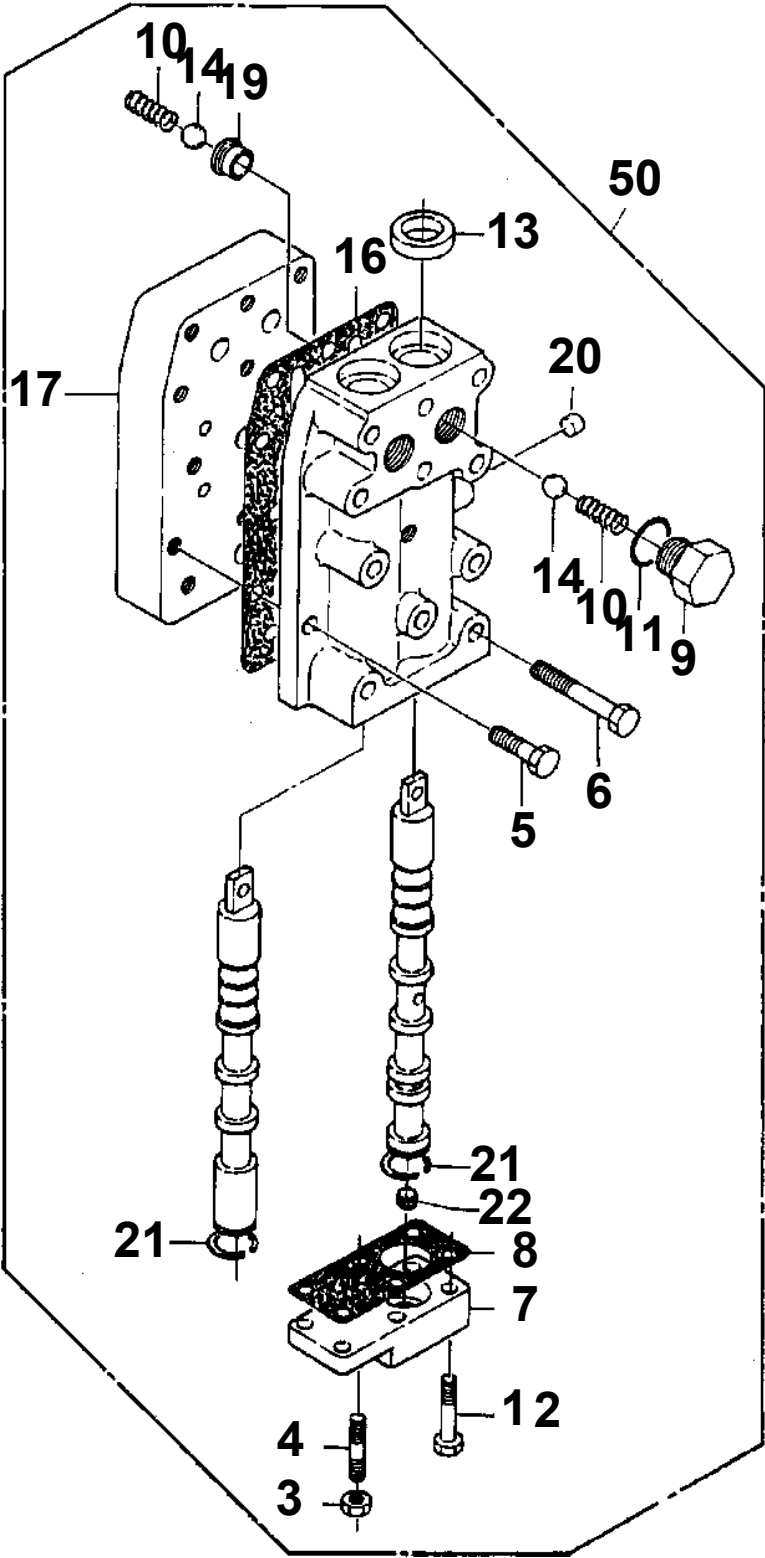
TR-500E-2-00101 4 BOOM + 2 JIB, 2M2D

Pos No.	Parts No	Parts Name	Qty	Unit	Technical Data	Serial No (Start)	Serial No (End)	Remarks
129	90131510050	BOLT,HEXAGON SOCKET	7		M10X50			
130	59133520060	ROLLER (FREE WHEEL)	9					
200	36370120000	TORQUE CONVERTER	1					

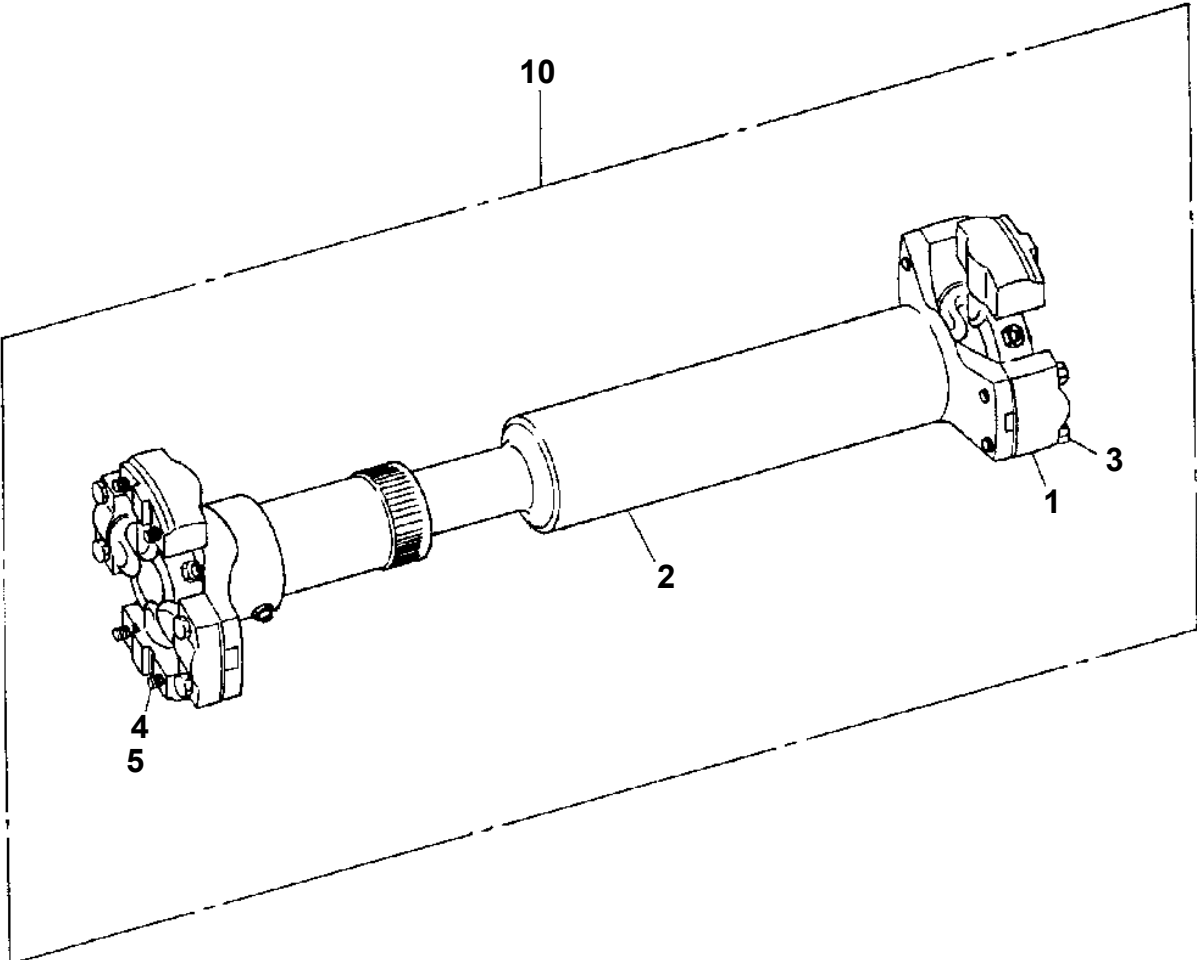
TR-500E-2-00101 4 BOOM + 2 JIB, 2M2D
PR1440001-02 F.CLUTCH PACK, TRANSMISSION



TR-500E-2-00101 4 BOOM + 2 JIB, 2M2D
PR1560001-02 VALVE,CONTROL (T/M,DRIVING SELECT)



TR-500E-2-00101 4 BOOM + 2 JIB, 2M2D
PR1600020-02 PROPELLER SHAFT, DRIVING



TR-500E-2-00101 4 BOOM + 2 JIB, 2M2D

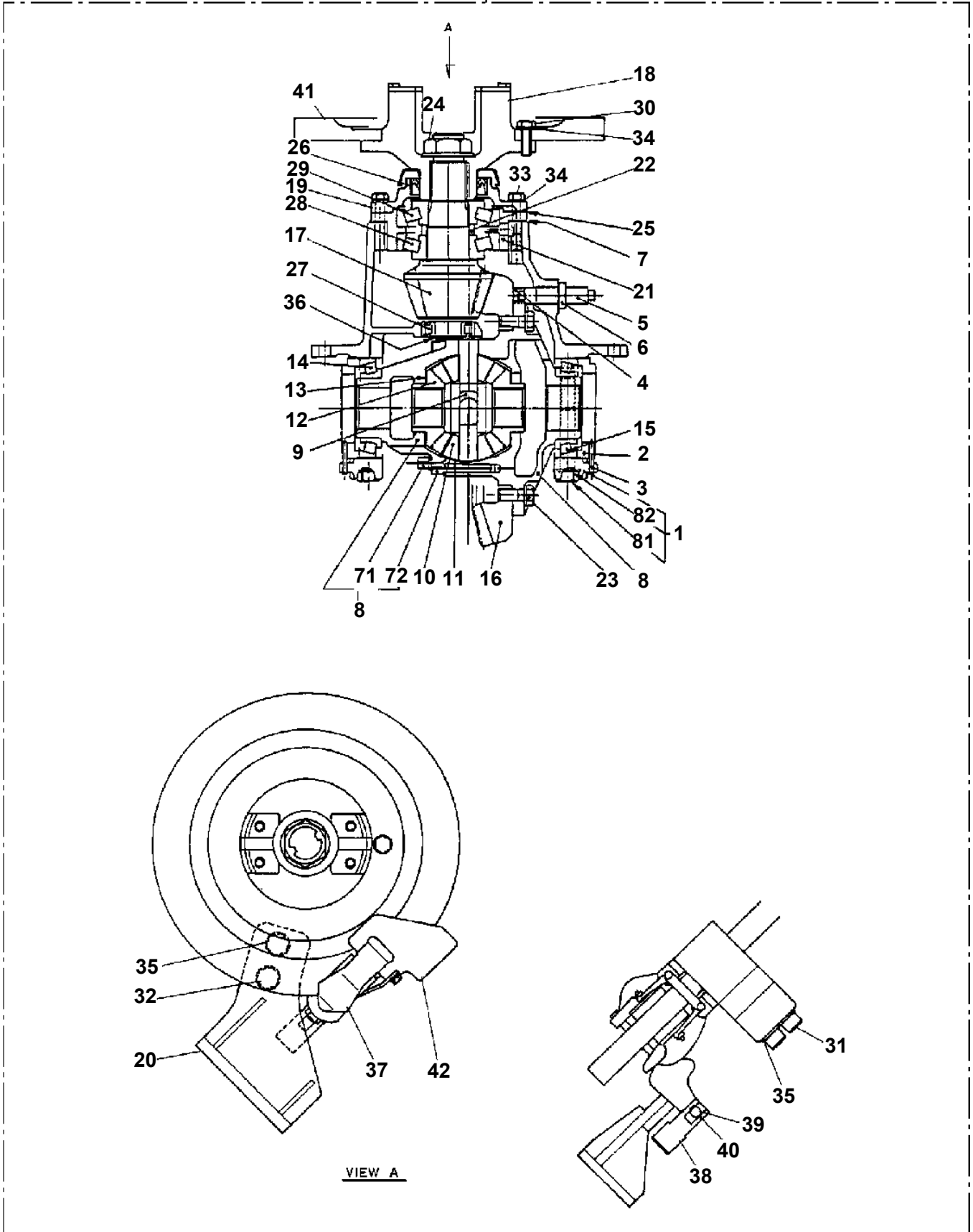
Pos No.	Parts No	Parts Name	Qty	Unit	Technical Data	Serial No (Start)	Serial I
127	90103720055	BOLT	52		M20X55		
129	36380065410	PIN	4				
130	59172080010	NIPPLE,GREASE	4		PT1/8		
131	36380365240	SEAL,OIL	2				
132	90209202400	NUT	2		M24		
133	36380065420	TIE ROD	1				
134	36380065430	END,TIE ROD	2				
135	36380065440	PIN (TIE ROD END)	2				
136	36380065450	BUSH,ROD (TIE)	2				
137	36380065460	PLATE (LOCK)	2				
138	36380065470	SEAL,OIL	4				
139	90101208020	BOLT	4		M8X20		
140	90101516100	BOLT	4		M16X100		
141	90201201600	NUT	4		M16		
142	90302040801	WASHER,SPRING	4		8		
143	90302051601	WASHER,SPRING (16)	4				
144	59172080010	NIPPLE,GREASE	2		PT1/8		
145	36380395110	SHAFT (AXLE)	2				
146	36380065510	JOINT,BALL	2				
147	36380065520	COLLAR (AXLE SHAFT)	2				
148	36380065530	BEARING,BALL	2				
149	36380065541	GEAR,SUN	2				
150	36380065550	SPIDER,PLANETARY GEAR	2				
151	36380065560	GEAR,PLANETARY	6				
152	36380065570	SHAFT (PLANETARY)	6				
153	36380065581	WASHER,THRUST	12				
154	36380065590	GEAR,INTERNAL	2				
155	36380065600	HUB,INTERNAL GEAR	2				
156	36380065610	WIRE,LOCK	4				
157	36380065620	NUT,BEARING	2				
158	36380065630	PLATE (LOCK)	2				
159	36381215130	COVER (GEAR SPIDER)	2				
160	36380065650	STOPPER (SHAFT)	2				
161	36380065660	O-RING	2				
162	36380065670	O-RING	2				
163	36380065680	BEARING,NEEDLE	12				
164	90101510025	BOLT	20		M10X25		
165	90302041001	WASHER,SPRING	20		10		
166	80316030100	PLUG	2		PT3/4		
167	59172081020	PLUG,MAGNET	2		PT3/4		
168	36380365030	HUB,WHEEL	2				
170	36380065720	DISK	2				
171	36381245240	BOLT	46		M20X1.5		
172	36381245231	NUT	46		M20X1.5		
173	36380065740	BEARING,TAPER ROLLER	4				
174	90171112040	BOLT	72		M12X40		
175	90171116045	BOLT	48		M16X45		
176	90303071601	WASHER,PLAIN	48		16		
177	90302051201	WASHER,SPRING (12)	72				
178	36380365070	SEAL,OIL	2				
179	36380065781	BRAKE,DISK (1VALVE,BREEDER-LEFT)	1				
180	36380065791	BRAKE,DISK (2VALVE,BREEDER-RIGHT)	1				
181	36380065930	BOLT	12				
182	36380065940	WASHER	12				
183	36380365041	SPACER	2				
184	36380365051	SPACER	2				
185	36380365060	RING,RETAINING	2				
186	36380705080	RETAINER	2				
187	36380705090	O-RING	2				
192	36380065811	PAD ASSY (LINING 1)	2				
193	36380065821	PAD ASSY (LINING 2)	2				
194	36380065830	PIN (LARGE/WITH O-RING)	4				
195	36380065840	PIN (SMALL)	4				

TR-500E-2-00101 4 BOOM + 2 JIB, 2M2D

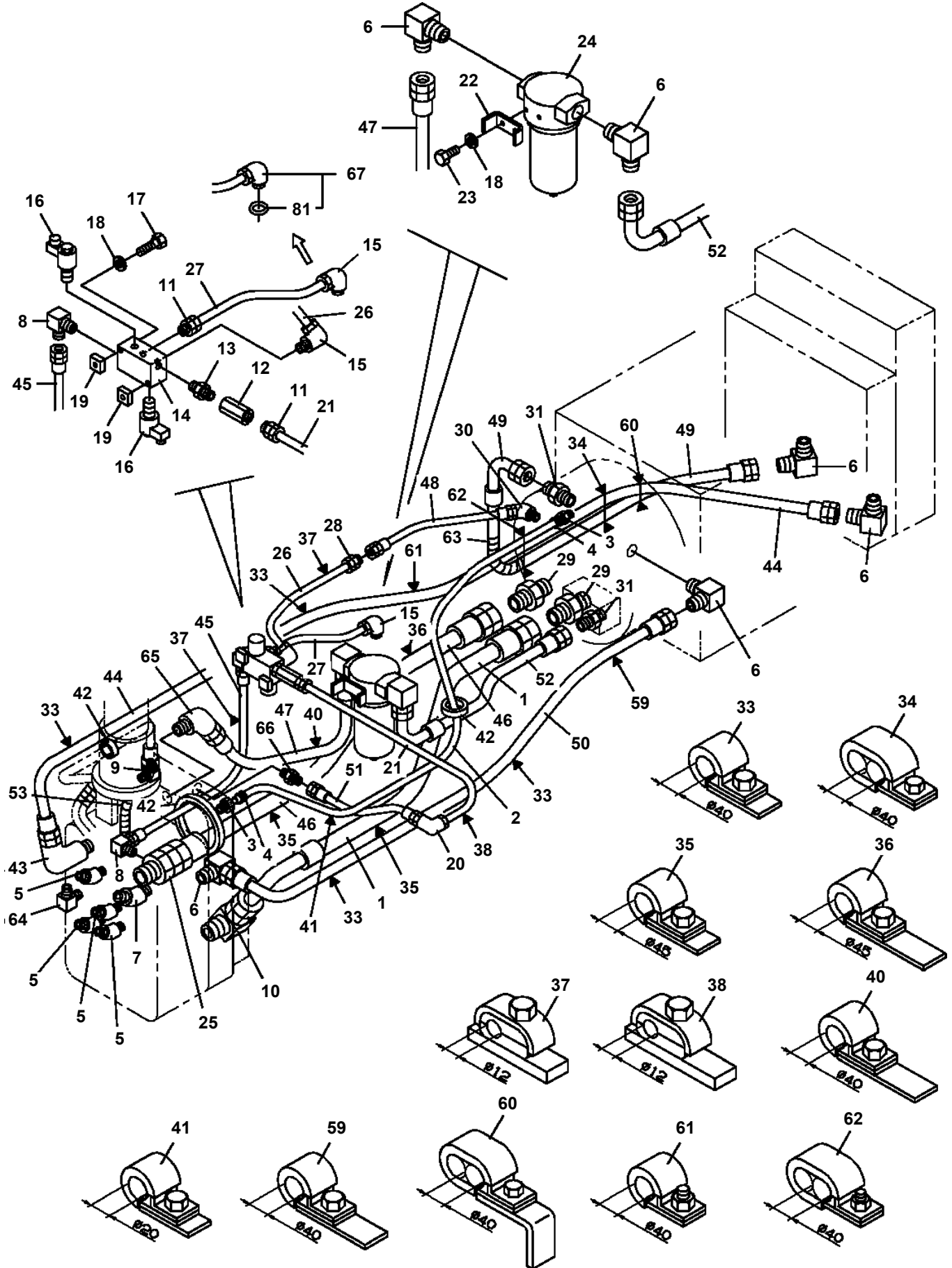
Pos No.	Parts No	Parts Name	Qty	Unit	Technical Data	Serial No (Start)	Serial I
166	80316030100	PLUG	2		PT3/4		
167	59172081020	PLUG,MAGNET	2		PT3/4		
168	36380365030	HUB,WHEEL	2				
170	36380065720	DISK	2				
171	36381245240	BOLT	46		M20X1.5		
172	36381245231	NUT	46		M20X1.5		
173	36380065740	BEARING,TAPER ROLLER	4				
174	90171112040	BOLT	72		M12X40		
175	90171116045	BOLT	48		M16X45		
176	90303071601	WASHER,PLAIN	48		16		
177	90302051201	WASHER,SPRING (12)	72				
178	36380365070	SEAL,OIL	2				
179	36380065781	BRAKE,DISK (1VALVE,BREEDER-LEFT)	2				
180	36380065791	BRAKE,DISK (2VALVE,BREEDER-RIGHT)	2				
181	36380065930	BOLT	24				
182	36380065940	WASHER	24				
183	36380365041	SPACER	2				
184	36380365051	SPACER	2				
185	36380365060	RING,RETAINING	2				
186	36380705080	RETAINER	2				
187	36380705090	O-RING	2				
192	36380065811	PAD ASSY (LINING 1)	4				
193	36380065821	PAD ASSY (LINING 2)	4				
194	36380065830	PIN (LARGE/WITH O-RING)	8				
195	36380065840	PIN (SMALL)	8				
196	36380065850	PLATE (COVER)	4				
197	36380065860	PLUG (PISTON)	12				
198	36380065870	PISTON	24				
199	36380065880	VALVE (BREEDER)	4				
200	36380065890	CONNECTOR (WITH O-RING)	4				
201	36380065900	BOLT ASSY	16				
202	36380065910	BOLT	32				
203	36380065920	SEAL KIT	4				
300	36380510001	AXLE,DRIVING (FRONT)	1				

TR-500E-2-00101 4 BOOM + 2 JIB, 2M2D
PR1620069-00 AXLE,DRIVING (FRONT)

300

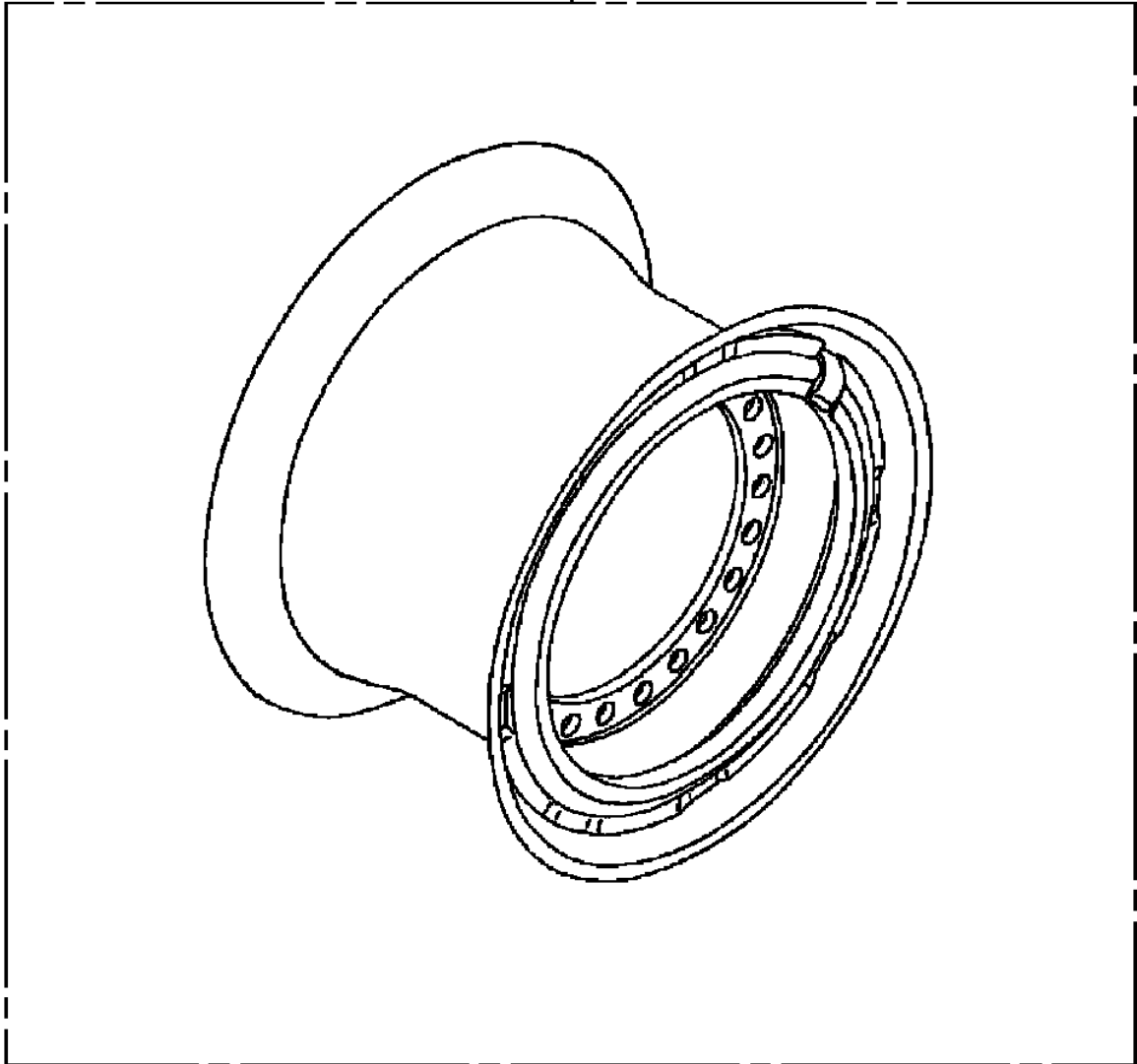


**TR-500E-2-00101 4 BOOM + 2 JIB, 2M2D
PR1700019-01 PIPING, CONVERTER**

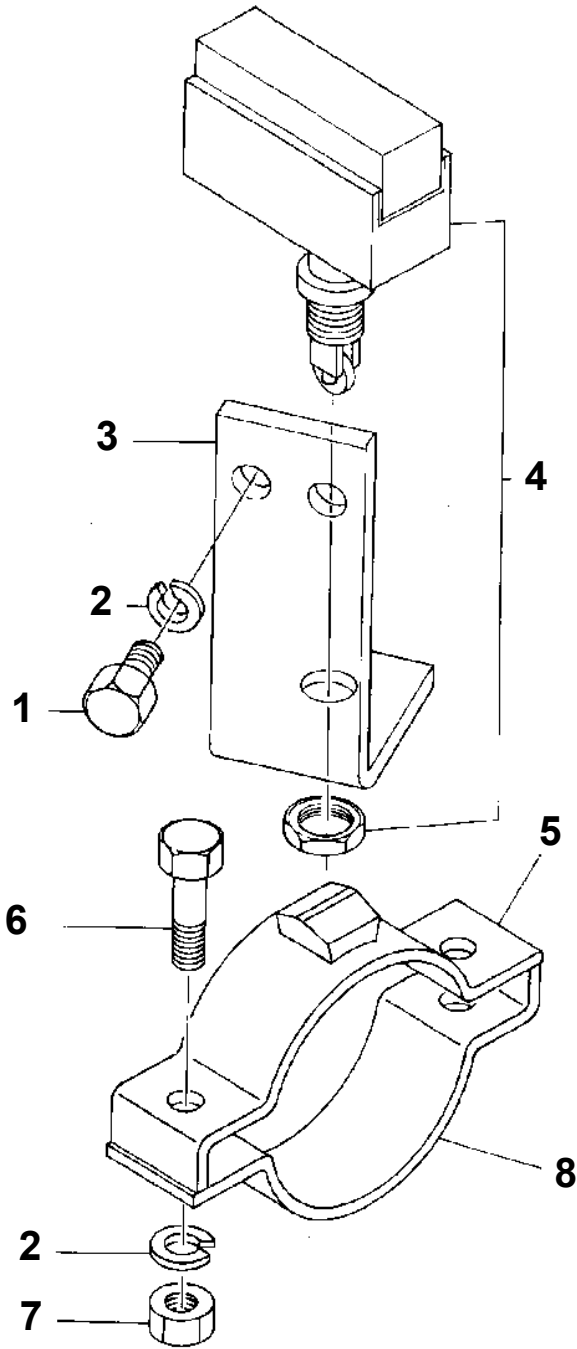


TR-500E-2-00101 4 BOOM + 2 JIB, 2M2D
PR1820032-00 WHEEL,TIRE

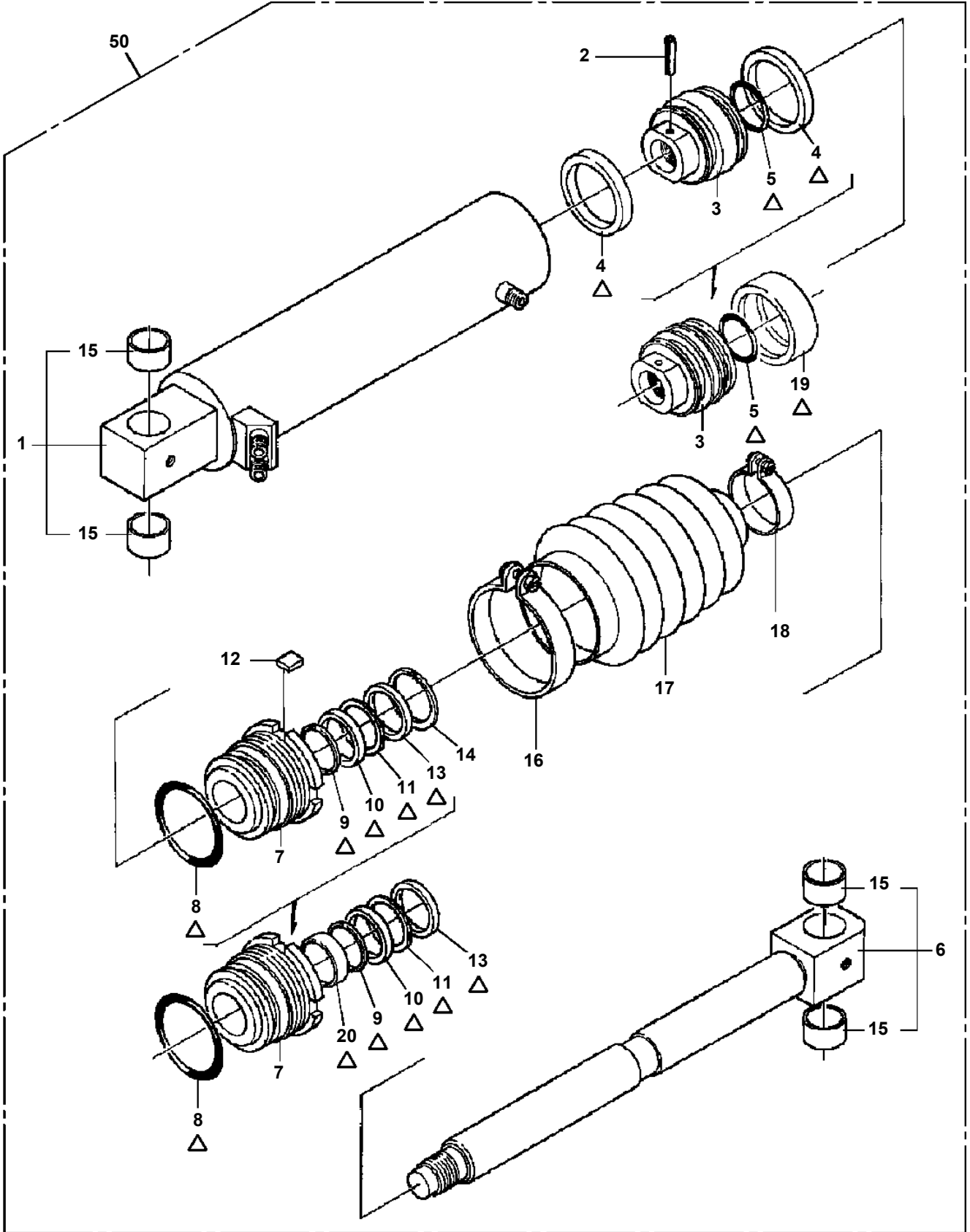
100



TR-500E-2-00101 4 BOOM + 2 JIB, 2M2D
PS1050002-00 DETECTOR,STEERING CENTER (OPTION)



**TR-500E-2-00101 4 BOOM + 2 JIB, 2M2D
PS1360003-05 CYLINDER,STEERING**



△:: PACKING SET KEY NO. 30 (KEY NO. 4,5;8;9;10 11 13,13)

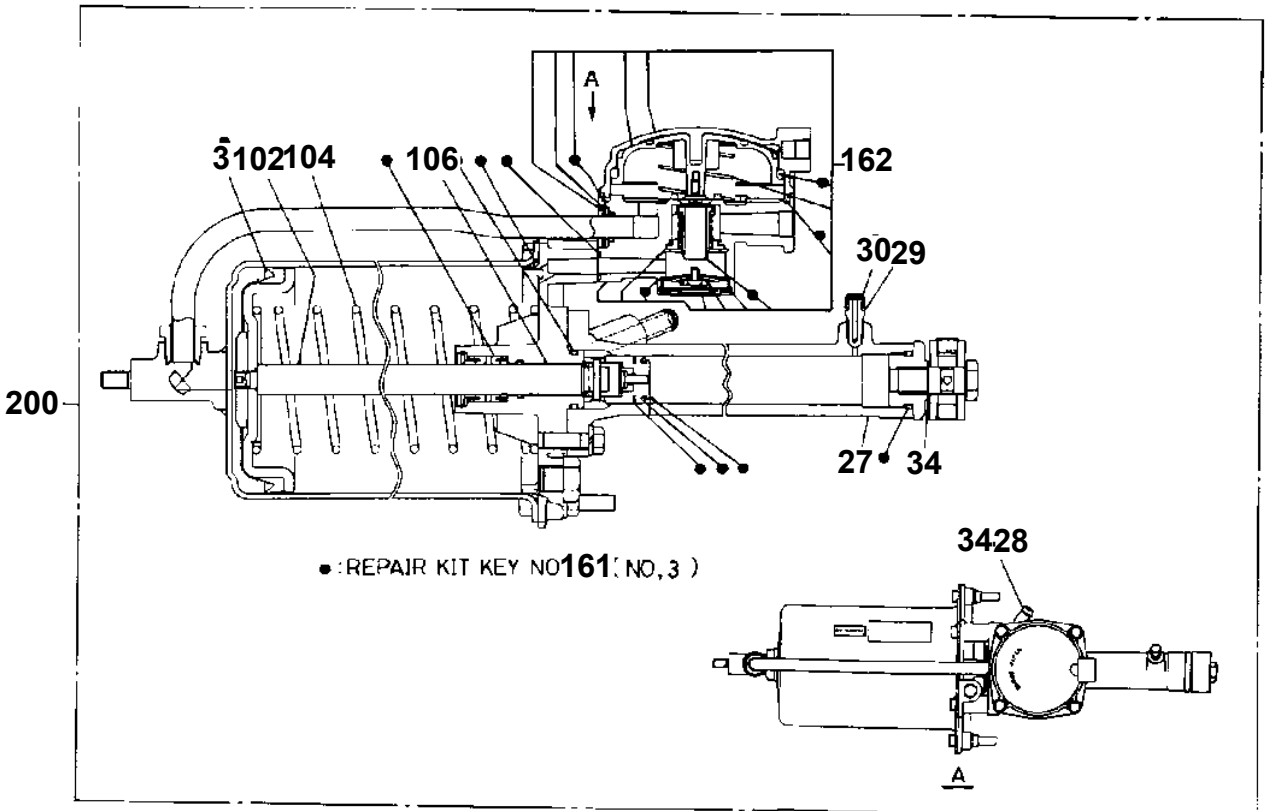
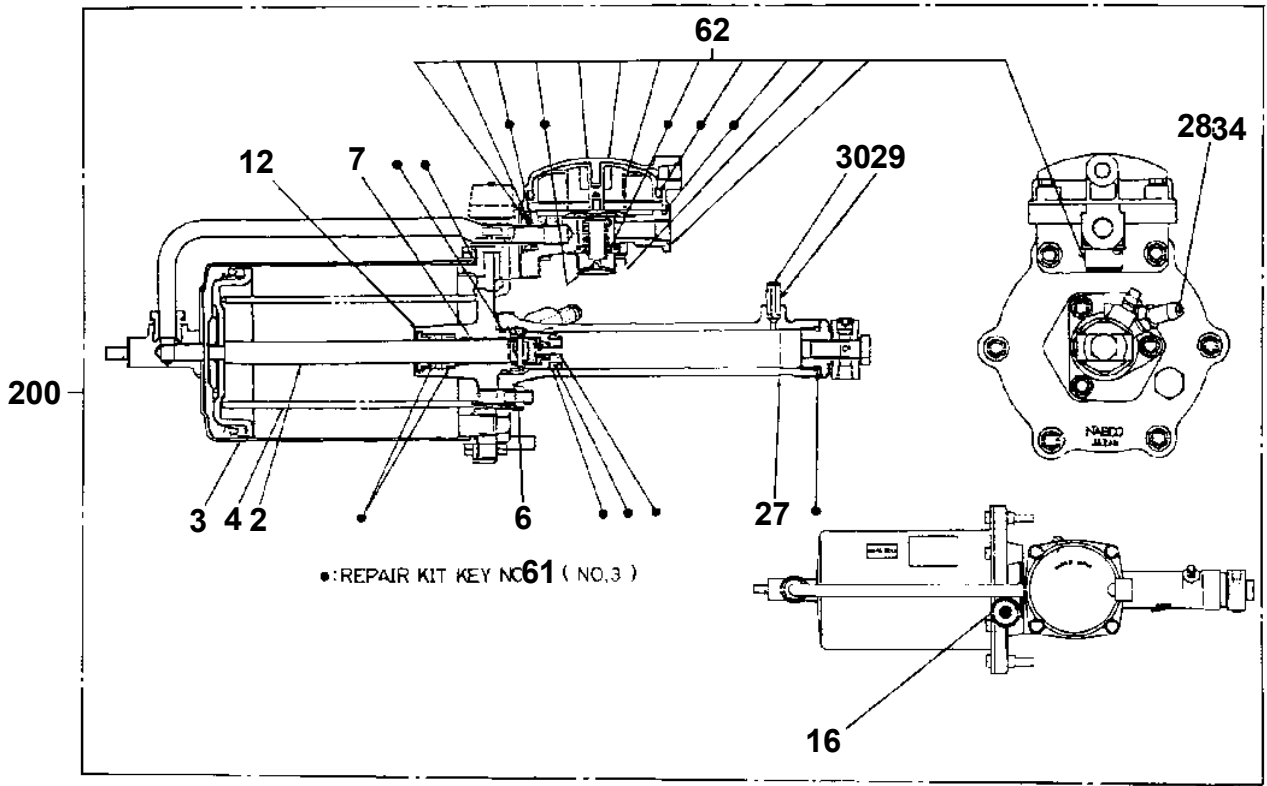


△:: PACKING SET KEY NO. 31 (KEY NO. 5,8;9;10 (11|13 19,20',20)

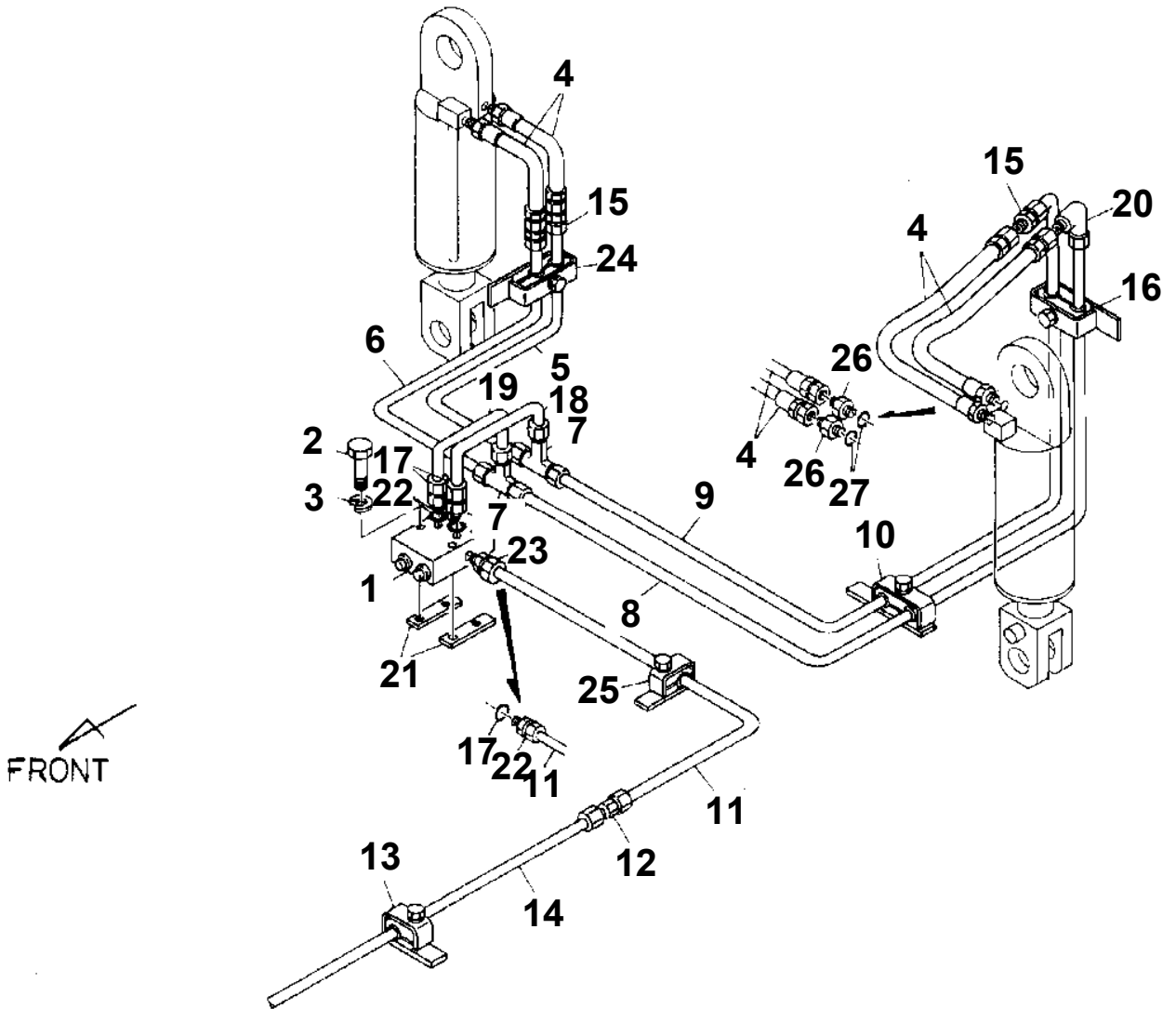
TR-500E-2-00101 4 BOOM + 2 JIB, 2M2D

Pos No.	Parts No	Parts Name	Qty	Unit	Technical Data	Serial No (Start)	Serial No
65	37000909760	JOINT	1				
66	34920388170	PIPE ASSY	2	M			
67	37002500790	HOSE	1		9X15.5,L=550		
68	91801300150	CLIP	4		D=13-15		
69	36100220000	TANK,OIL (INCLUDE INDICATOR ASSY)	2				
70	90303070801	WASHER,PLAIN	10		8		
71	37000904230	FITTING,ELBOW	3		L,R1/4-M16		
72	37000904430	FITTING,TEE	2		T,R1/4-M16-M16		
73	36870060000	DRIER,AIR	1				
74	90101210025	BOLT	8		M10X25		
75	37000910220	FITTING	2		S,R1/2-12		
76	90302041001	WASHER,SPRING	18		10		
77	90101208025	BOLT	8		M8X25		
78	59159035000	FITTING,ELBOW	6		L,R1/2-M20		
79	34920468020	PIPE ASSY	1	M			
80	59151307000	VALVE,CHECK	3				
81	90303071001	WASHER,PLAIN	8		10		
82	59451305000	VALVE,SAFETY (ASSY ONLY)	1				
83	59459005000	JOINT	1				
84	59159025000	FITTING,ELBOW	1				
85	37000904320	FITTING,TEE	1				
86	34920468070	PIPE ASSY	1	M			
87	37000910230	FITTING,TEE	2				
88	80316030020	PLUG	2		PT1/8		
89	34920388090	PIPE ASSY	1	M			
90	34920388100	PIPE ASSY	1	M			
91	36620450000	VALVE,PRESSURE PROTECTION	1				
92	90101206050	BOLT	2		M6X50		
93	90201200600	NUT	37		M6		
94	90302040601	WASHER,SPRING	23		6		
95	34920388110	PIPE ASSY	1	M			
96	34920388120	PIPE ASSY	1	M			
97	34920388130	PIPE ASSY	1	M			
98	36600620000	VALVE,PRESSURE CONTROL	1				
99	90101208080	BOLT	2		M8X80		
100	37000704830	CLAMP ASSY	2				
101	34920388140	PIPE ASSY	1	M			
102	34920388150	PIPE ASSY	1	M			
103	37000701900	CLAMP ASSY	2				
104	37000300710	SLEEVE	3		12-8		
105	37000702220	CLAMP ASSY	10				
106	37000702270	CLAMP ASSY	8				
107	37000702330	CLAMP ASSY	1				
109	37000904510	FITTING,TEE	2		T,6.35		
110	37000904810	NUT,FLARE	36		M12		
111	90211251400	NUT	1		M14		
112	34920158290	PIPE ASSY	3	M			
113	34920158280	PIPE ASSY	2	M			
114	34920158300	PIPE ASSY	2	M			
115	37002408910	HOSE,BRAKE	4		L=650		
116	34920158030	PIPE ASSY	1	M			
117	34920158310	PIPE ASSY	1	M			
118	34920158040	PIPE ASSY	1	M			
119	34920158050	PIPE ASSY	1	M			
120	59259101000	SUPPORT	2				
121	34920158060	PIPE ASSY	1	M			
122	34920158070	PIPE ASSY	1	M			
123	34920158080	PIPE ASSY	1	M			
124	34920158090	PIPE ASSY	1	M			
125	34920158100	PIPE ASSY	1	M			
127	59259103000	JOINT	4				
128	37000903910	FITTING	6		S,R1/8-M12		
129	56476172000	FITTING	1		S,R1/4-M12		

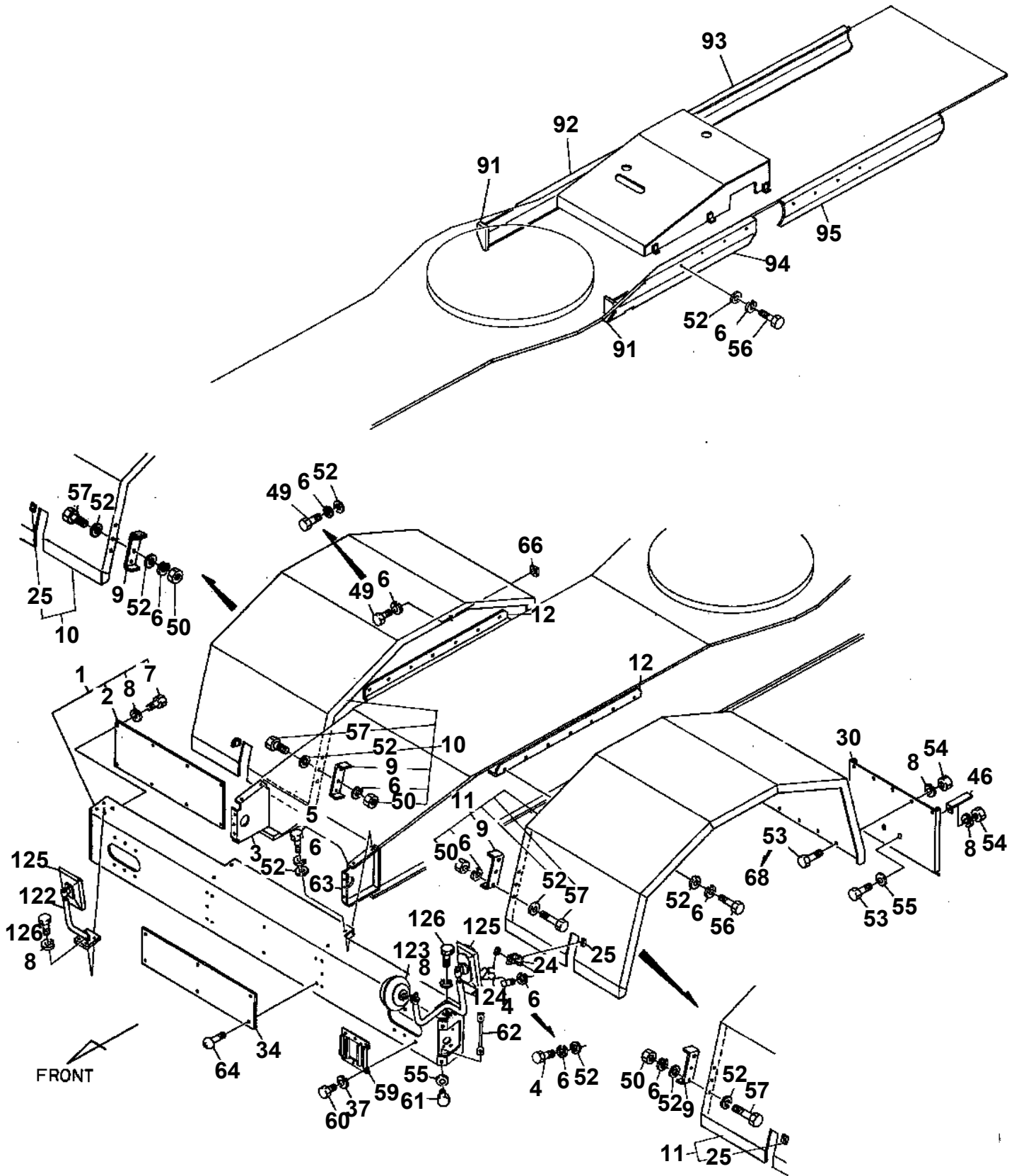
TR-500E-2-00101 4 BOOM + 2 JIB, 2M2D
PT1420003-02 BOOSTER



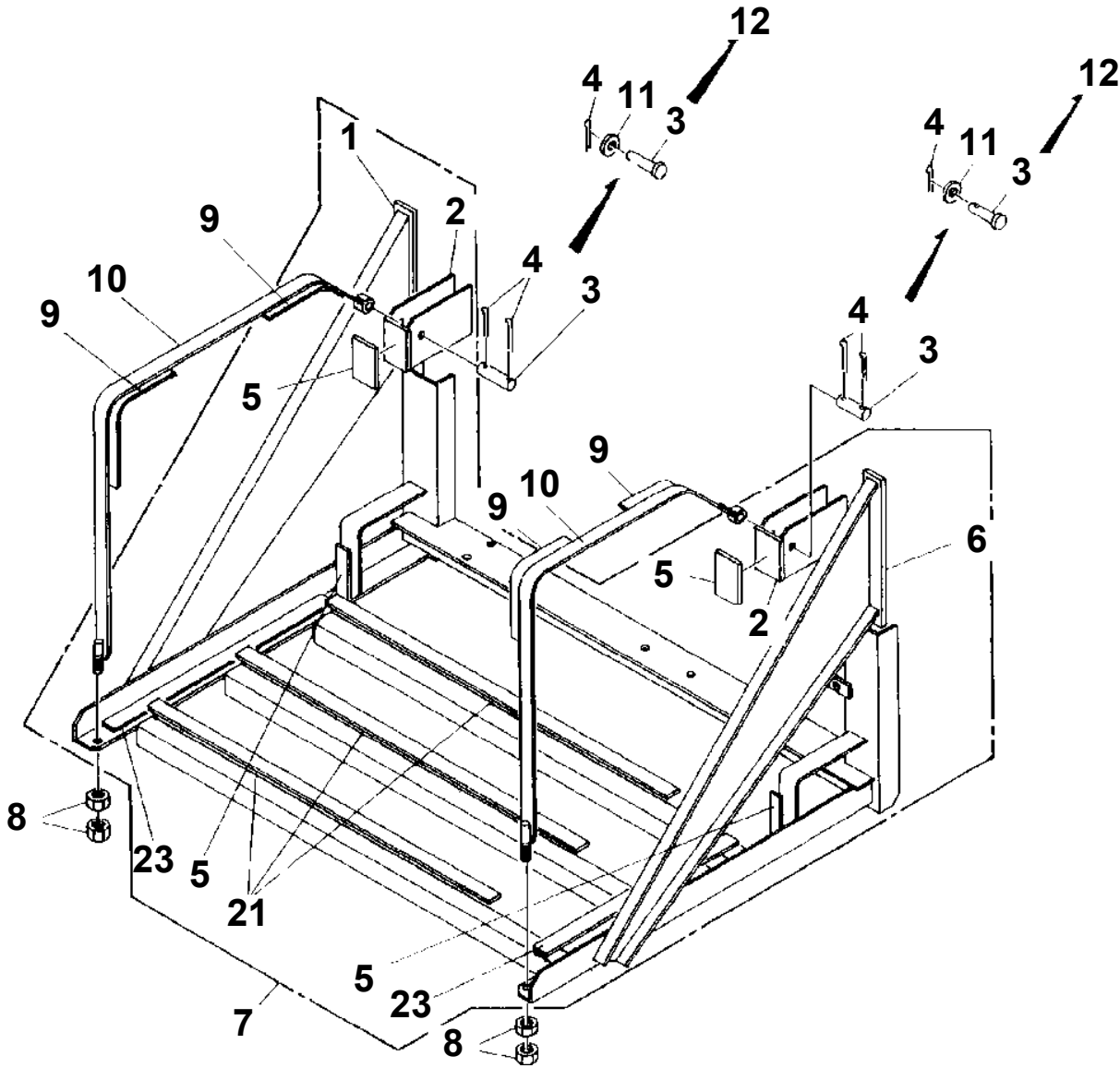
TR-500E-2-00101 4 BOOM + 2 JIB, 2M2D
PU1200000-01 PIPING,SUSPENSION LOCK



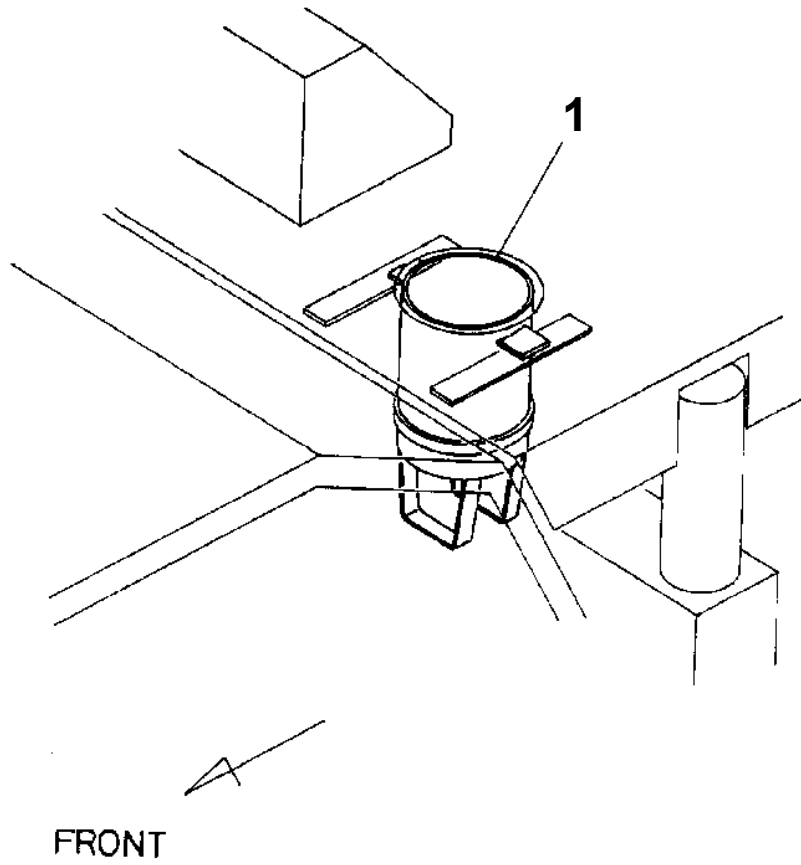
TR-500E-2-00101 4 BOOM + 2 JIB, 2M2D
PX1030039-04 FENDER



TR-500E-2-00101 4 BOOM + 2 JIB, 2M2D
PX1100008-02 TANK SUPPORT INSTALLATION



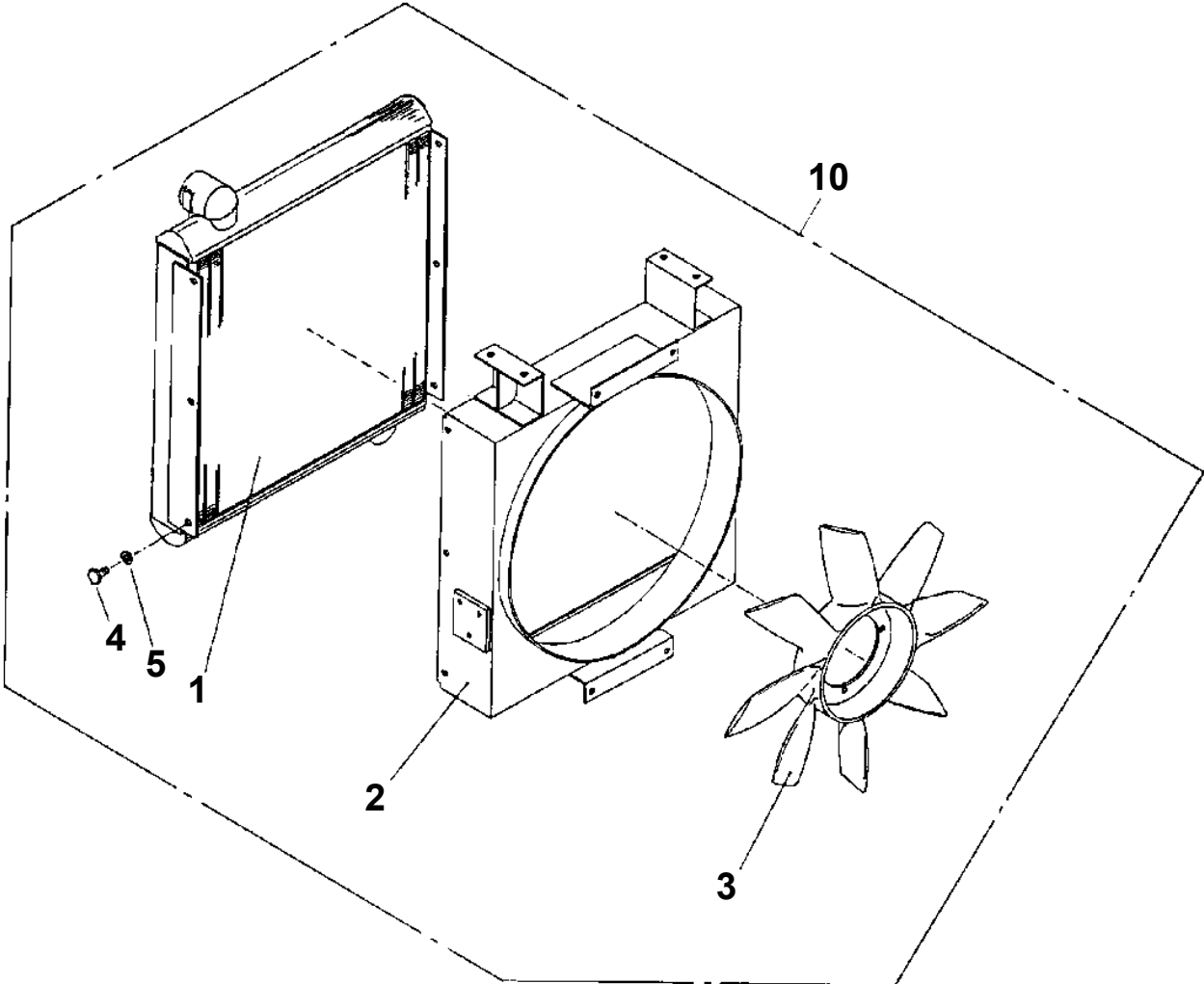
TR-500E-2-00101 4 BOOM + 2 JIB, 2M2D
PX1180420-00 MOUNT,HOOK (AUX.)



TR-500E-2-00101 4 BOOM + 2 JIB, 2M2D

Pos No.	Parts No	Parts Name	Qty	Unit	Technical Data	Serial No (Start)	Serial No (End)	Remarks
61	90101206012	BOLT	1		M6X12			
91	36290325020	SWITCH,TOGGLE (HI-LOW)	1					
92	36290325010	SWITCH,TOGGLE	1					
93	36290325030	RELAY	1		24V			
94	82100001161	HOLDER (F)	1					
95	82100001162	FUSE (15A,6.35X30>	1					
96	36290325050	LAMP,PILOT (RED)	1					
97	82100001160	LAMP,PILOT (WHITE)	1					
98	82100001163	BULB,LAMP	2		48V 5W			
101	82100000713	SWITCH,ROTARY	1					
111	36290495011	FILTER	1					
121	82100001682	SWITCH,TOGGLE	1					

TR-500E-2-00101 4 BOOM + 2 JIB, 2M2D
PY1300003-00 COOLER,OIL



CLICK HERE TO **DOWNLOAD** THE COMPLETE MANUAL

- Thank you very much for reading the preview of the manual.
- You can download the complete manual from: www.heydownloads.com by clicking the link below



- Please note: If there is no response to CLICKING the link, please download this PDF first and then click on it.

CLICK HERE TO **DOWNLOAD** THE COMPLETE MANUAL