

TR-350M-1-00203 5 BOOM + JIB(PT),2M2D

PB1000224-00 HYDRAULIC PRESSURE GENERATING SYSTEM
PC1000168-00 OUTRIGGER SYSTEM
PD1000208-00 SWING SYSTEM
PE1000207-00 ELEVATING SYSTEM
PF1000195-02 WINCH SYSTEM
PG1000205-01 TELESCOPING SYSTEM
PH1000192-00 SAFETY DEVICES
PI1000229-00 HYDRAULIC DEVICES
PK1000217-00 FRAME
PL1000213-00 CONTROL DEVICES
PM1000032-01 LUBRICATION DEVICES
PN1000178-01 ELECTRIC EQUIPMENT
PO1000114-01 INDICATION PLATES
PQ1000063-00 DRIVING POWER GENERATING SYSTEM
PR1000039-00 DRIVING POWER TRANSMISSION SYSTEM
PS1000056-00 STEERING SYSTEM
PT1000045-00 BRAKE SYSTEM
PU1000038-00 SUSPENSION
PW1000097-02 ACCESSORIES & TOOLS
PX1000219-00 MOUNTING PARTS
PY1000189-02 OPTIONS
ASSEMBLY

CLICK HERE TO **DOWNLOAD** THE COMPLETE MANUAL

- Thank you very much for reading the preview of the manual.
- You can download the complete manual from: www.heydownloads.com by clicking the link below



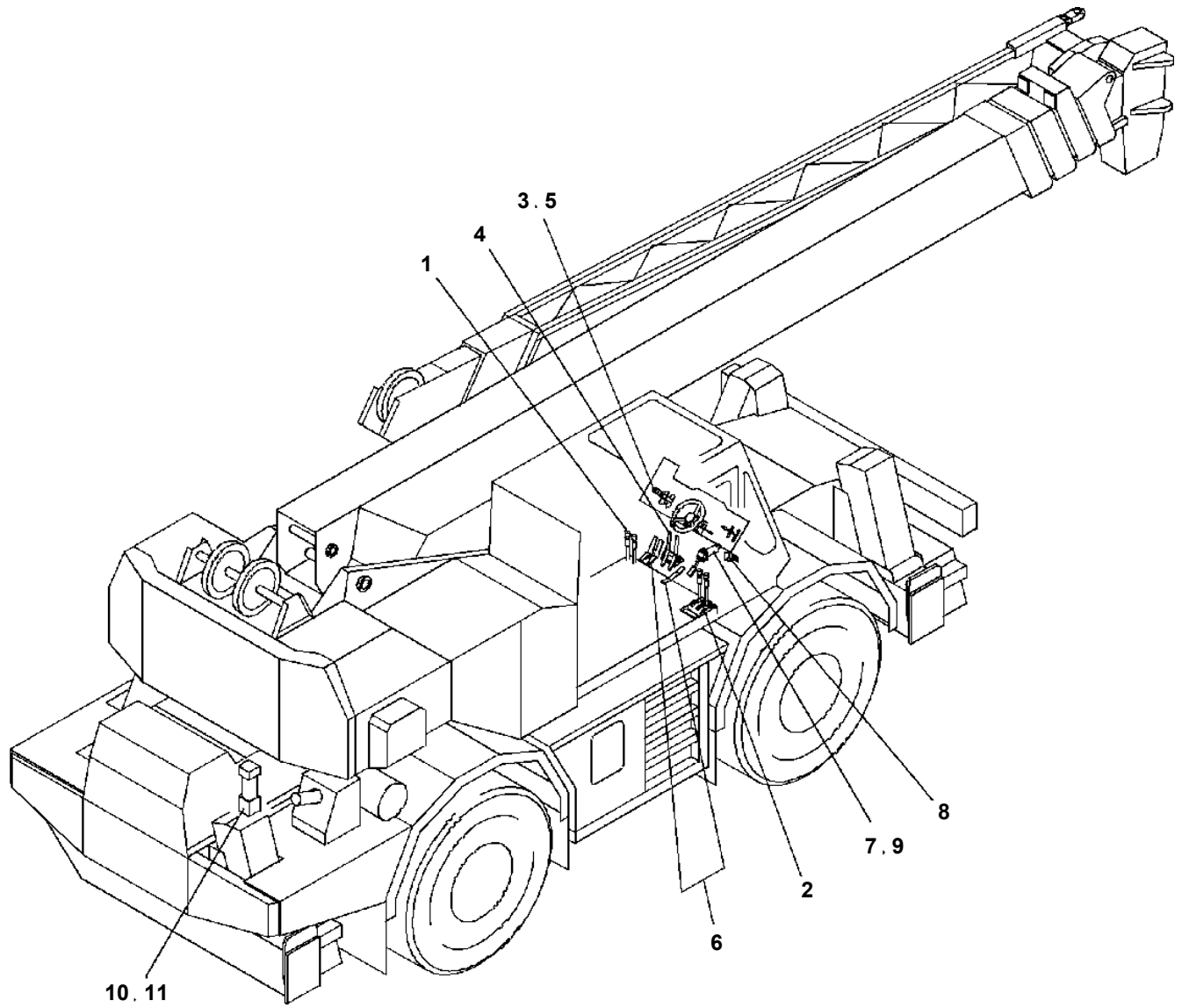
- Please note: If there is no response to CLICKING the link, please download this PDF first and then click on it.

CLICK HERE TO **DOWNLOAD** THE COMPLETE MANUAL

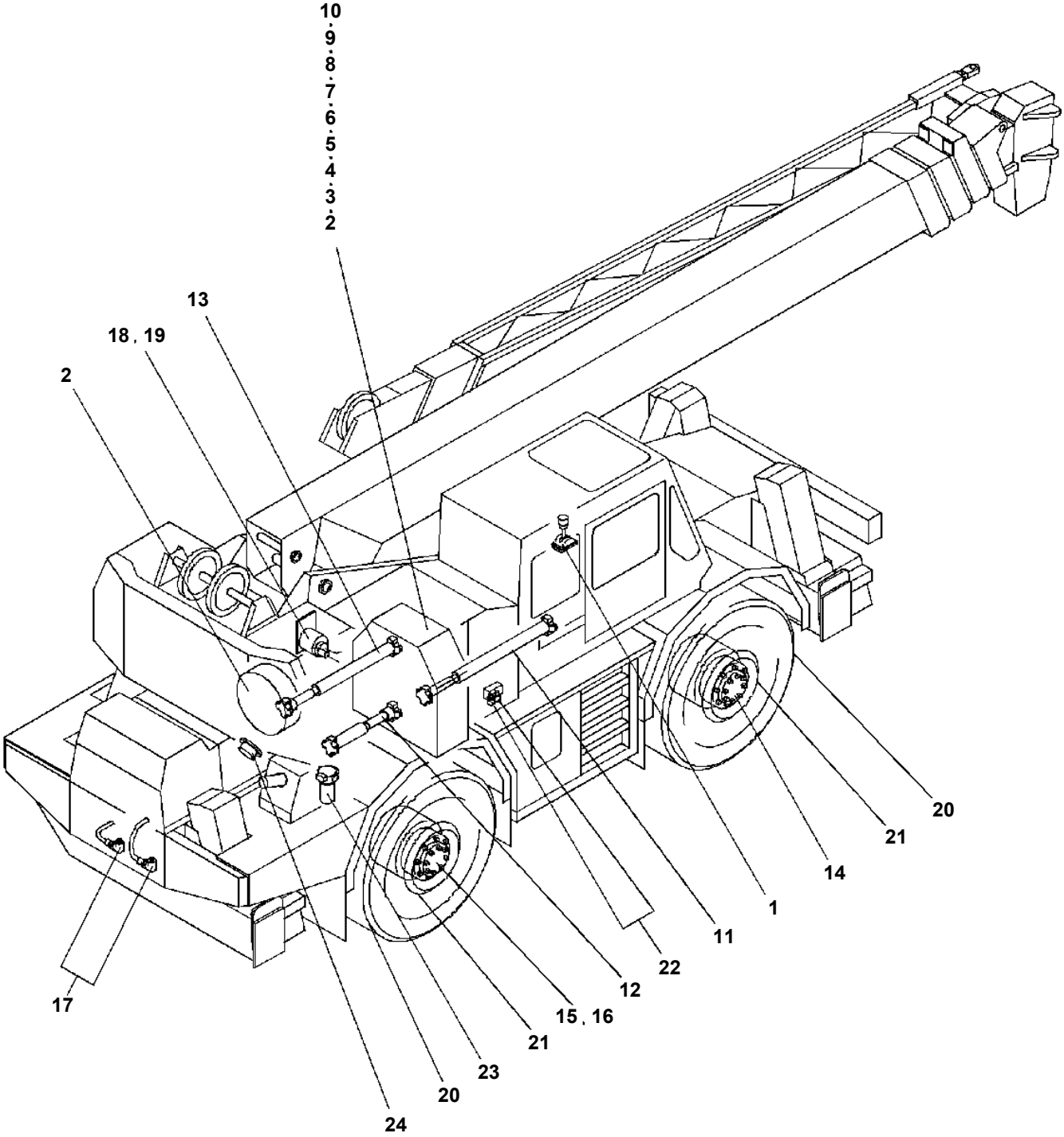
TR-350M-1-00203 5 BOOM + JIB(PT),2M2D

Pos No.	Parts No	Parts Name	Qty	Unit	Technical Data	Serial No (Start)	Serial No (End)
1	36071390000	WINCH (MAIN)	1				
2	36071400000	WINCH (AUX.)	1				
4	36310150000	CLUTCH,WINCH	1				
5	36310140000	CLUTCH,WINCH	1				
7	36092080001	HOOK (MAIN)	1				
8	(*****)	HOOK (AUXILIARY)	1				
9	36091120000	HOOK (OPTION, 6TON OR 7TON)	1				
10	(*****)	HOOK (OPTION)	1				
11	37001801970	ROPE,WIRE	1				
12	37001800980	ROPE,WIRE	1				
14	(*****)	SOCKET,ROPE	1				
15	(*****)	SOCKET,ROPE	1				
16	(*****)	OPE.ASSY, WINCH BRAKE (MAIN)	1				
17	(*****)	OPE.ASSY, WINCH BRAKE (AUX.)	1				
19	34310583000	BAND,WINCH BRAKE	1				
20	34310643000	BAND,WINCH BRAKE (MAIN)	1				
22	(*****)	OPE.ASSY,DRUM LOCK (OPTION)	1				
23	(*****)	OPE.ASSY,CLUTCH (MAIN)	1				
24	(*****)	OPE.ASSY,CLUTCH (AUX.)	1				
25	(*****)	DETECTOR,DISORDERLY WIND (MAIN)	1				
26	(*****)	DETECTOR,DISORDERLY WIND (AUX.)	1				
28	(*****)	PIPING,WINCH (MAIN)	1				
29	(*****)	PIPING,WINCH (AUX.)	1				
31	(*****)	PIPING,WINCH BRAKE (MAIN)	1				
32	(*****)	PIPING,WINCH BRAKE (AUX.)	1				
34	(*****)	DETECTOR,DRUM ROTATION (AUX.)	1				
35	(*****)	DETECTOR,DRUM ROTATION (MAIN)	1				
36	36632920000	VALVE,CLUTCH	1				
37	36672739510	JOINT,WINCH ROTARY	2				
38	(*****)	MOUNT,WINCH (MAIN)	1				
39	(*****)	MOUNT,WINCH (AUX.)	1				
41	36661320000	MOTOR,HYDRAULIC	1				
42	36661330000	MOTOR,HYDRAULIC	1				
44	36061550000	CYLINDER,MASTER	2				
46	36601070000	VALVE,REDUCING	1				
49	36641880000	VALVE,HYDRAULIC	2				
50	36602650000	VALVE,COUNTERBALANCE	2				

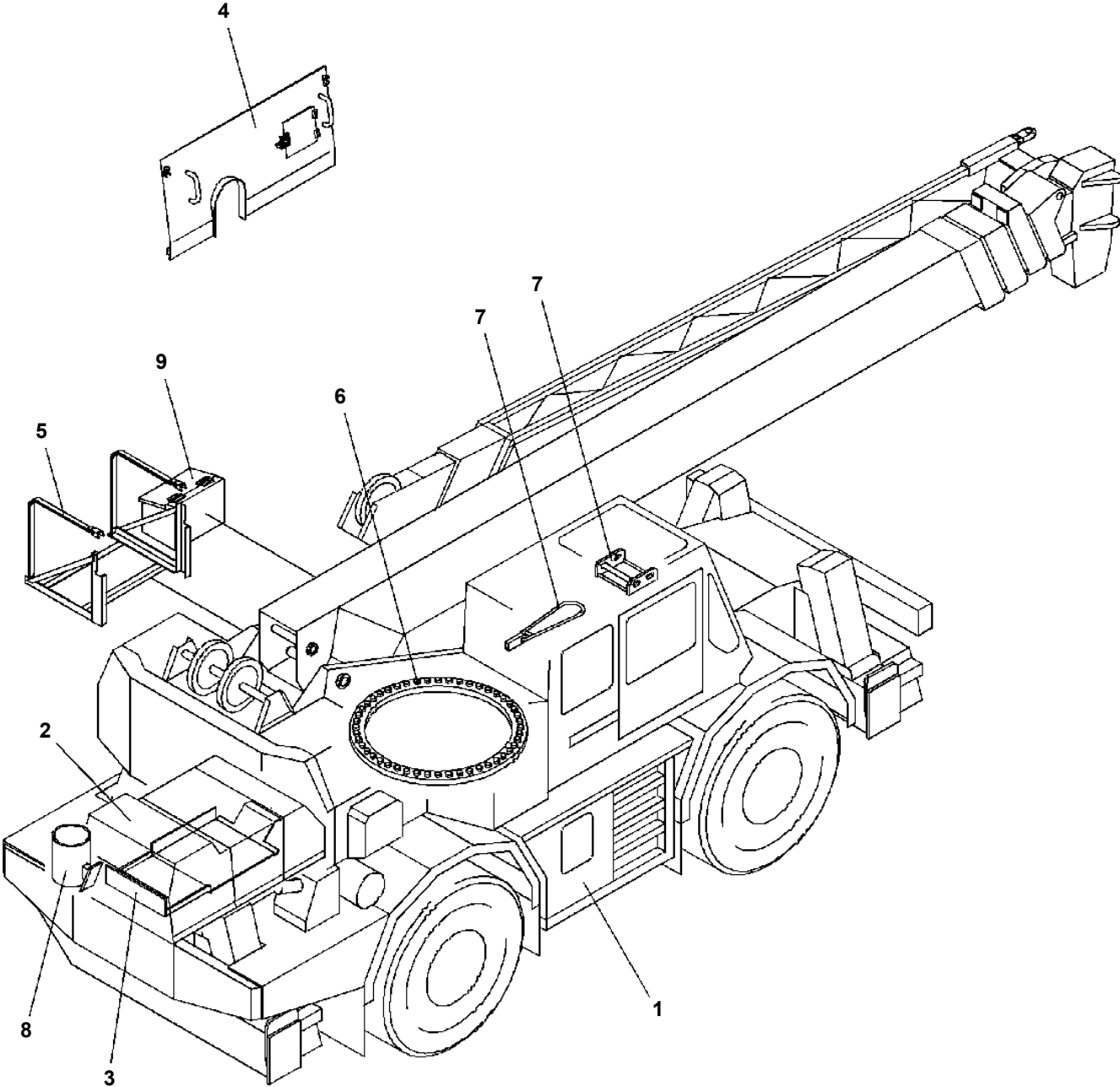
**TR-350M-1-00203 5 BOOM + JIB(PT),2M2D
PL1000213-00 CONTROL DEVICES**



**TR-350M-1-00203 5 BOOM + JIB(PT),2M2D
PR1000039-00 DRIVING POWER TRANSMISSION SYSTEM**



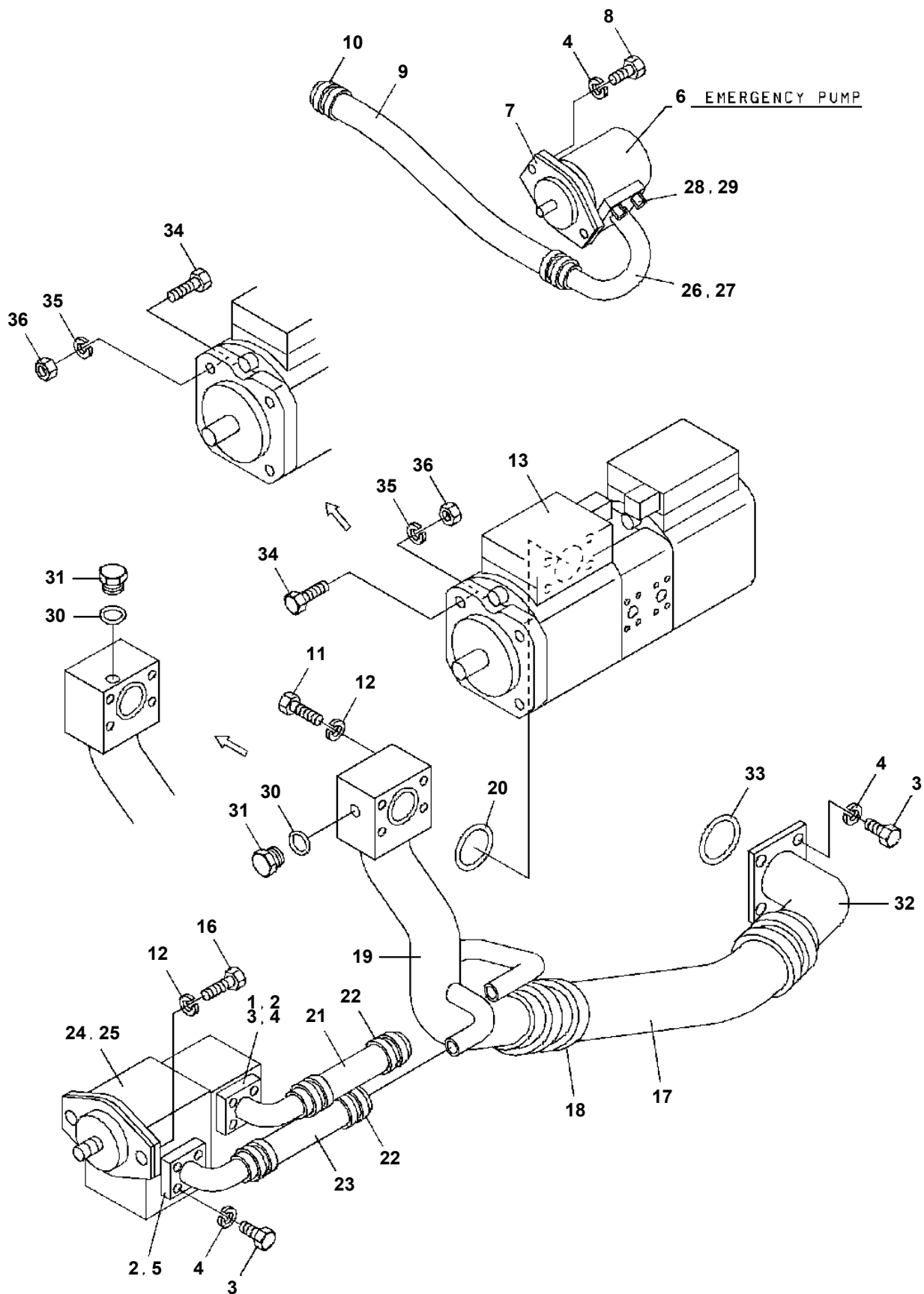
**TR-350M-1-00203 5 BOOM + JIB(PT),2M2D
PX1000219-00 MOUNTING PARTS**



TR-350M-1-00203 5 BOOM + JIB(PT),2M2D

Pos No.	Parts No	Parts Name	Qty	Unit	Technical Data	Serial No (Start)	Serial M
1	36650685010	SEAL KIT (REPAIR KIT)	1				
2	36650685020	GEAR ASSY	1				
5	36650680000	PUMP,HYDRAULIC (EMERGENCY STEERING)	1				

**TR-350M-1-00203 5 BOOM + JIB(PT),2M2D
PB1200085-00 PIPING,SUCTION**



TR-350M-1-00203 5 BOOM + JIB(PT),2M2D

Pos No.	Parts No	Parts Name	Qty	Unit	Technical Data	Serial No (Start)	Serial No (End)	Remarks	Page
1	80303030140	FITTING,ELBOW	1		KLN12-020N				
2	91002802400	O-RING	1		1B P24				
3	37002419100	HOSE	1		L=500				
4	81408000160	PIPE,STEEL	1	M	12X1.4T				
5	80302010160	FITTING	4		KCT12-030N				
6	34340275020	JOINT	1						
7	80400160103	FITTING	3		20368-U3/8X1/4				
8	80302010140	FITTING	5		C717KCT12-020N				
9	81408000160	PIPE,STEEL	1	M	12X1.4T				
10	89640201000	HOSE	1		660-NFK,1M				
11	37000705920	CLAMP ASSY	2		WR10				
12	81408000160	PIPE,STEEL	2	M	12X1.4T				
13	81408000160	PIPE,STEEL	1	M	12X1.4T				
14	81408000160	PIPE,STEEL	1	M	12X1.4T				
15	36642920000	VALVE,SOLENOID	1						
17	90101205014	BOLT	2		M5X14				
18	90302040501	WASHER,SPRING	2		5				
19	80302090141	FITTING	3		KCO12-020N				
20	91002801100	O-RING	4		1B P11				
21	37000700200	CLAMP ASSY	2				505407		
	37000700200	CLAMP ASSY	1			505408			
22	37000705930	CLAMP ASSY	6		D=12				
23	37000912460	JOINT	1						
24	89640101000	HOSE	1		880-NFK,1M				
25	80400160104	FITTING	1		20368-U3/8X3/8				
26	89640102000	HOSE	1		880-NFK,2M				
27	37002503740	HOSE	1		L=280				
28	91803600300	CLIP	4		D=22-30				
29	37000702220	CLAMP ASSY	4						
30	80305010100	FITTING,TEE	7		KTA12-000N				
31	81408000160	PIPE,STEEL	1	M	12X1.4T				
32	81408000160	PIPE,STEEL	1	M	12X1.4T				
33	81408000160	PIPE,STEEL	1	M	12X1.4T				
34	81408000160	PIPE,STEEL	1	M	12X1.4T				
35	81408000160	PIPE,STEEL	1	M	12X1.4T				
36	80316030060	PLUG	2		PT3/8				
37	80400160105	FITTING	6		20368-U1/2X3/8				
38	89640101000	HOSE	1		880-NFK,1M				
39	89640102000	HOSE	1		880-NFK,2M				
40	89640201000	HOSE	1		660-NFK,1M				
44	80400160109	FITTING,ELBOW	2		20369-U3/8X1/4				
45	89640202000	HOSE	1						
46	34340275400	JOINT	1						
47	37000524200	PLATE	1						
48	90101210020	BOLT	2		M10X20				
49	90302041001	WASHER,SPRING	2		10				
50	37000913680	JOINT	1						
51	81408000160	PIPE,STEEL	1	M	12X1.4T				
52	80315040060	JOINT	1						
53	91002801400	O-RING	1		1B P14				
54	81408000160	PIPE,STEEL	1	M	12X1.4T				
55	81408000160	PIPE,STEEL	1	M	12X1.4T				
56	81408000160	PIPE,STEEL	1	M	12X1.4T				
57	81408000160	PIPE,STEEL	1	M	12X1.4T				
58	81408000160	PIPE,STEEL	1	M	12X1.4T				
59	81408000160	PIPE,STEEL	1	M	12X1.4T				
60	81408000160	PIPE,STEEL	1	M	12X1.4T				
61	80400160127	JOINT	1						
62	37000704180	CLAMP ASSY	1						
63	80400160126	FITTING,TEE	2		20364-U1/2				
65	80301010100	FITTING	1		KUA12-000N				
66	34341055340	GUARD	1						
67	80315060060	JOINT,BUSHING	1						

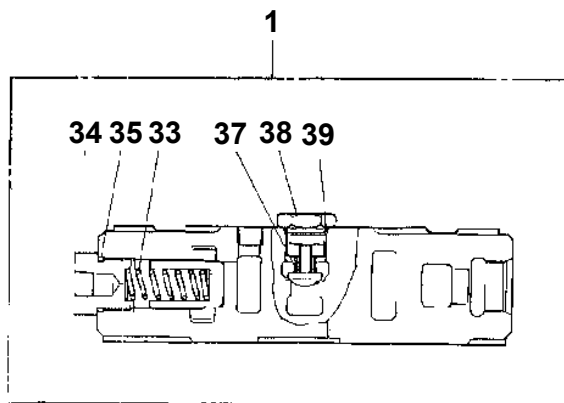
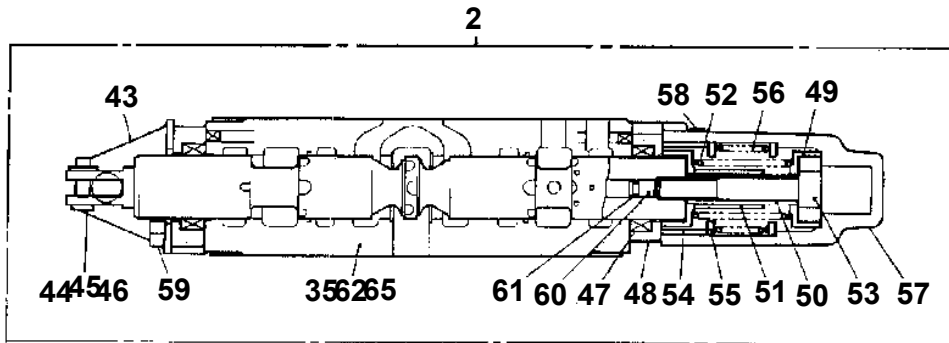
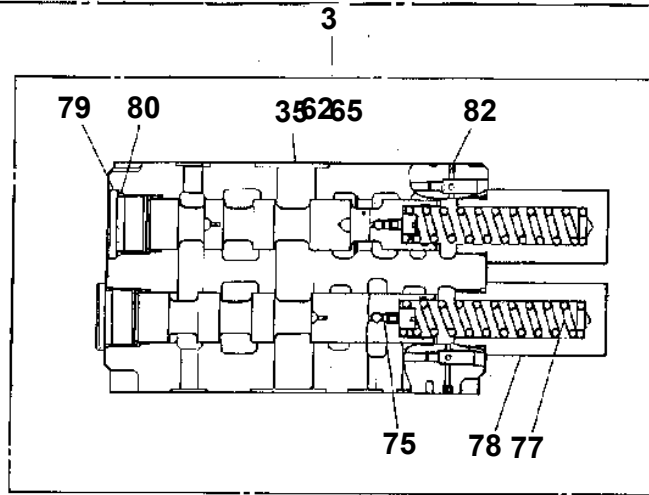
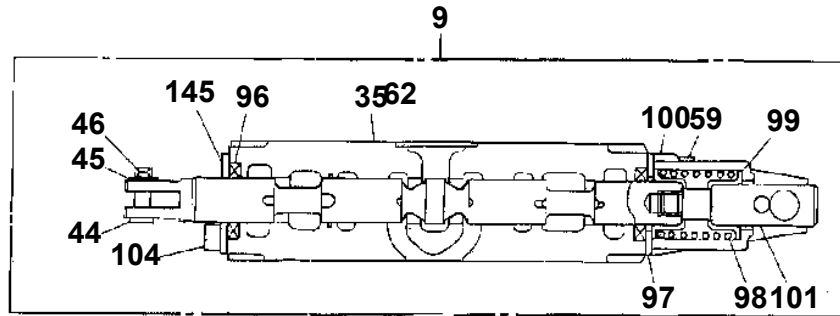
TR-350M-1-00203 5 BOOM + JIB(PT),2M2D

PB1320143-01 VALVE,MANUAL CONTROL (P.TILT JIB,SP/C)

Assembly Name

VALVE, MANUAL CONTROL (P.TILT JIB,S.CENTER)

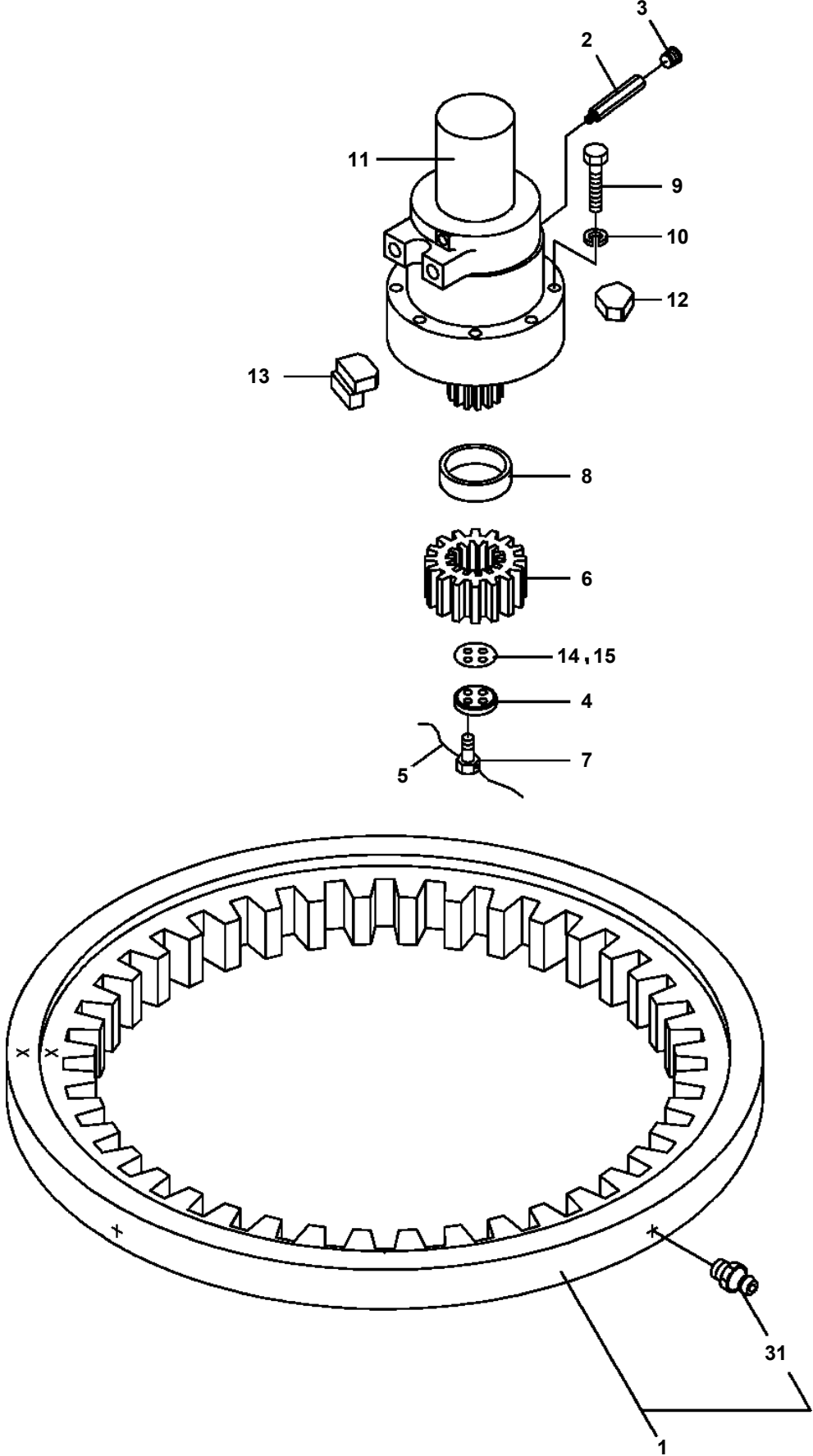
PB132-0143-01



TR-350M-1-00203 5 BOOM + JIB(PT),2M2D

Pos No.	Parts No	Parts Name	Qty	Unit	Technical Data	Serial No (Start)	Serial No (End)	Remarks	Pages
1	80720105040	PIN,SPRING	1		5X40				
2	91684016000	PACKING	2						
3	91411214501	RING,BACKUP	1						
4	91002810000	O-RING	1		1B P100				
5	91410010000	RING,BACKUP	1		P100				
6	36030061001	PISTON	1						
7	36031252000	ROD	1						
9	36030373001	COVER,ROD	1						
10	91002915000	O-RING	1		1B G150				
11	91694010000	PACKING	1						
12	91660010001	SEAL,DUST	1						
14	12426205000	PLATE	1						
15	91251101000	RING,DAMPER	1						
16	91302216000	BEARING,PLAIN	2						
17	91410210000	RING,BACKUP	1						
18	91431214501	RING,BACKUP	1						
19	36031251000	CYLINDER	1						
50	36031250000	CYLINDER,JACK	1						

TR-350M-1-00203 5 BOOM + JIB(PT),2M2D
PD1030077-00 GEAR,DRIVE



TR-350M-1-00203 5 BOOM + JIB(PT),2M2D

Pos No.	Parts No	Parts Name	Qty	Unit	Technical Data	Serial No (Start)	Serial No (End)
1	34380300100	SUPPORT	1				
2	82100002006	CLAMP	1		WR10		
3	90201200600	NUT	1		M6		
4	90303070601	WASHER,PLAIN	2		6		
5	90302040601	WASHER,SPRING	1		6		
6	82100000953	GROMMET	1				
7	37001703510	CABLE,CONTROL	1				
8	37000515600	PLATE	1		T=1.0		
9	19119314000	SPRING	1				
10	80136332025	PIN,SPLIT	1		3.2X25		
11	80601110200	RING,RITAINING	1		S20		
12	34380300200	LEVER	1				
13	19114207000	KNOB (BLACK)	1				
14	34380300300	LEVER	1				
15	80192485014	SCREW,MACHINE (WITH WASHER)	4		M5X14		
16	34380300400	COVER	1				
17	88200102060	END	1				
18	37000109680	PIN	2				
19	80136316012	PIN,SPLIT	2		1.6X12		
20	90191210050	BOLT	1		M10X50		
21	90302041001	WASHER,SPRING	1		10		
22	34380300500	SUPPORT	1				
23	34380300600	PIN	1				
24	37000515590	PLATE	1		T=0.5		
30	34380308010	LEVER ASSY	1				

TR-350M-1-00203 5 BOOM + JIB(PT),2M2D

Pos No.	Parts No	Parts Name	Qty	Unit	Technical Data	Serial No (Start)	Serial No (End)	Remarks	P
1	36071395011	CASE,GEAR	1						
2	36071105020	COVER (CASE)	1						
3	36071395020	GEAR,PINION	1						
4	36071105041	GEAR,DRUM	1						
5	36071105051	DRUM,SHAFT (MAIN)	1						
6	80602111200	RING,RITAINING	1		R120				
7	36070395030	SPACER	1						
8	36071105070	COVER (A)	1						
9	36071105080	COLLAR	1						
10	36071105190	COVER (B)	1						
12	36071105100	COVER (B)	1						
13	36071105110	BOSS (CLUTCH)	1						
14	36071105120	PACKING (SEAT)	1						
15	36071105130	DRUM (MAIN)	1						
17	19413066000	PLUG	1		PT3/4X1/8				
18	80500006311	BEARING,BALL	2						
19	80522002170	BEARING,ROLLER	1						
20	80500006214	BEARING,BALL	1						
21	80516006218	BEARING,BALL	2						
22	80516006216	BEARING,BALL	1						
23	91206060001	SEAL,OIL	1						
24	91206105001	SEAL,OIL	1						
25	91206012002	SEAL,OIL	1						
26	91001208500	O-RING	1		1A G85				
27	80561100140	NUT	1		AN14				
28	80561100180	NUT	1		AW18				
29	80562100140	WASHER,TOOTH	1		AW14				
30	80562100180	WASHER,TOOTH	1		AW18				
31	80601110800	RING,RITAINING	1		S80				
32	80313010060	PACKING (COPPER 14)	1						
33	36310150000	CLUTCH,WINCH	1						
34	90191516035	BOLT	10		M16X35				
35	90101210025	BOLT	18		M10X25				
36	90101210025	BOLT	12		M10X25				
37	90302051601	WASHER,SPRING (16)	10						
38	90302041001	WASHER,SPRING	30		10				
39	80303080080	ELBOW	1						
40	80205000600	PLUG	1		PT3/4				
41	80205000400	PLUG	1		PT1/2				
42	14123000400	BREATHER	1		PT1/8				
49	36071105170	COLLAR	1						
50	91001204500	O-RING	1		1A G45				
51	80601110450	RING,RITAINING	1		S45				
52	36071105180	PIN	1						
100	36071390000	WINCH (MAIN)	1						

TR-350M-1-00203 5 BOOM + JIB(PT),2M2D

Pos No.	Parts No	Parts Name	Qty	Unit	Technical Data	Serial No (Start)	Serial No (End)	Remarks	F
1	36092080101	PLATE	1						
2	36091190200	BOLT	3						
3	90302041601	WASHER,SPRING	3		16				
6	80572081218	BEARING,ROLLER	1						
7	82459203000	NIPPLE,GREASE	1		C-PT1/8				
8	36091190300	TRUNNION	1						
13	36092080201	PLATE	1						
14	37001004750	SHEAVE ASSY (IMONO)	5						
15	37000301000	PLATE	6		T=20				
16	90101516035	BOLT	8		M16X35				
17	19411557000	PLATE	2						
18	19411556000	PLATE	2						
19	37000125900	PIN	1						
20	14211522000	GRIP	2						
21	37000105000	PIN	1						
22	16611506000	PLATE	2						
23	16611505000	PLATE	2						
24	37000105200	PIN	1						
25	37001400040	SPRING	1						
26	80136330020	PIN,SPLIT	1		3X20				
27	90303071001	WASHER,PLAIN	1		10				
40	36091099510	STOPPER ASSY	1						
50	36092089520	HOOK ASSY	1						
62	80612111250	RING,RITAINING	5		AR125				
63	80515006214	BEARING,BALL	10						
100	36092080001	HOOK (MAIN)	1						

TR-350M-1-00203 5 BOOM + JIB(PT),2M2D

Pos No.	Parts No	Parts Name	Qty	Unit	Technical Data	Serial No (Start)	Serial No (End)	Remarks	Pages
1	37000129750	PIN	1						
2	90171110016	BOLT	1		M10X16				
3	90302041001	WASHER,SPRING	1		10				
4	37002600241	WEDGE	1						000279
5	37002600501	SOCKET,ROPE	1		14&16				
6	83151411600	CLIP	1						
7	80136363045	PIN,SPLIT	1		6.3X45				

TR-350M-1-00203 5 BOOM + JIB(PT),2M2D

Pos No.	Parts No	Parts Name	Qty	Unit	Technical Data	Serial No (Start)	Serial No (End)
1	34380310100	SUPPORT	1				
2	34380310200	CLICK	1				
3	34380310300	SUPPORT	1				
4	34380310400	CLICK	1				
5	37001703160	CABLE,CONTROL	1				
6	37001703170	CABLE,CONTROL	1				
7	37000704650	CLAMP ASSY	4				
8	37000701970	CLAMP ASSY	2				
9	37000704660	CLAMP ASSY	2				
12	34380310500	COVER	1				
13	80192485014	SCREW,MACHINE (WITH WASHER)	4		M5X14		
14	37001300010	SPRING	2				
15	90101210022	BOLT	2		M10X22		
16	90302041001	WASHER,SPRING	2		10		
17	19214410000	SPRING	2				
18	37000105720	PIN	4				
19	90303070601	WASHER,PLAIN	5		6		
20	80136320010	PIN,SPLIT	4		2X10		
21	37000302190	SPACER	2				
22	37000303050	SPACER	2		L=9		
23	37000103490	PIN	2				
24	37000509520	SUPPORT	2				
25	37000515590	PLATE	2		T=0.5		
26	90101206014	BOLT	1		M6X14		
28	82100002037	CLAMP	1		WE10		
29	90302040601	WASHER,SPRING	1		6		
30	90201200600	NUT	1		M6		
41	34380000300	LEVER	1				
42	80136320010	PIN,SPLIT	2		2X10		
43	19414071000	PIN	2				
44	90303070601	WASHER,PLAIN	2		6		
45	19119314000	SPRING	2				
46	80136325012	PIN,SPLIT	2		2.5X12		
47	34380000400	LEVER	2				
48	19114207000	KNOB (BLACK)	1				
61	19114205000	KNOB (BROWN)	1				
62	34380000200	LEVER	1				
81	80801003020	BEARING,PLAIN	2				
90	34380068010	LEVER ASSY	1				
100	34380068020	LEVER ASSY	1				

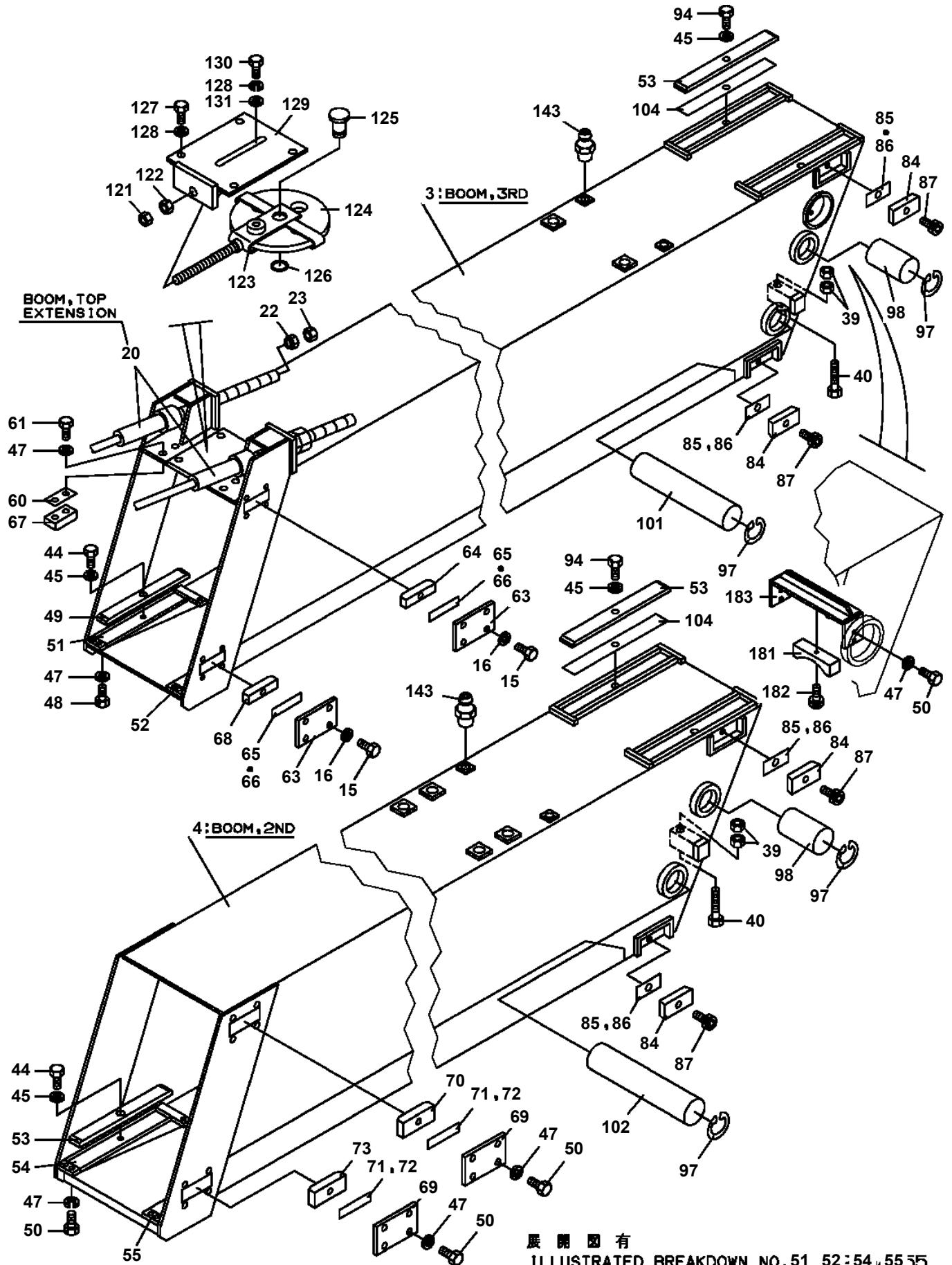
TR-350M-1-00203 5 BOOM + JIB(PT),2M2D

Pos No.	Parts No	Parts Name	Qty	Unit	Technical Data	Serial No (Start)	Serial No (End)	Remarks	Pa
1	80400160135	JOINT	4						
2	91002802900	O-RING	4		1B P29				
3	80303030140	FITTING,ELBOW	3		KLN12-020N				
4	36632920000	VALVE,CLUTCH	1						00
5	90101208016	BOLT	6		M8X16				
6	90302040801	WASHER,SPRING	6		8				
7	81408000160	PIPE,STEEL	2	M	12X1.4T				
8	36641880000	VALVE,HYDRAULIC	1						00
9	80302010140	FITTING	6		C717KCT12-020N				
10	90101210020	BOLT	4		M10X20				
11	90302041001	WASHER,SPRING	4		10				
12	80305050090	FITTING,TEE	1		KTK12-020N				
13	81408000160	PIPE,STEEL	1	M	12X1.4T				
14	36671250000	FILTER,OIL	2						
16	80305030060	FITTING,TEE	2		KTN12-030N				
17	36601070000	VALVE,REDUCING	1						00
18	81408000160	PIPE,STEEL	1	M	12X1.4T				
19	34341051200	FITTING,FLANGE	1						
20	36621700000	VALVE,CHECK	1						
21	37000532620	SUPPORT	1						
22	37000705030	CLAMP ASSY	1						
23	81408000160	PIPE,STEEL	2	M	12X1.4T				
24	80307050020	JOINT,SOCKET	1						
25	37000706330	CLAMP ASSY	1						
26	81408000160	PIPE,STEEL	3	M	12X1.4T				
27	81408000160	PIPE,STEEL	1	M	12X1.4T				
28	37002409740	HOSE	1		L=530				
29	80320010075	FITTING	1		KUD12-020N				
32	80305010100	FITTING,TEE	1		KTA12-000N				
33	81408000160	PIPE,STEEL	1	M	12X1.4T				
34	81408000160	PIPE,STEEL	2	M	12X1.4T				
35	37000702220	CLAMP ASSY	1						
36	37000702210	CLAMP ASSY	1						
37	81408000160	PIPE,STEEL	1	M	12X1.4T				
38	37000704870	CLAMP ASSY	1						
39	81408000160	PIPE,STEEL	2	M	12X1.4T				
40	37000915000	JOINT	1						
41	37002426810	HOSE	1		L=2120				
42	37002426820	HOSE	1		L=1800				
43	81408000160	PIPE,STEEL	2	M	12X1.4T				
44	37000703020	CLAMP ASSY	2		12X2				
45	80301010100	FITTING	1		KUA12-000N				
47	91002801100	O-RING	1		1B P11				
49	37000914960	JOINT	1						
50	37000539350	PLATE	1						
51	82100002019	CLAMP	2		WR40				
62	34340021700	FILTER	2						

TR-350M-1-00203 5 BOOM + JIB(PT),2M2D

Pos No.	Parts No	Parts Name	Qty	Unit	Technical Data	Serial No (Start)	Serial No (End)	Remarks
1	34960117510	KEY (FOR SENSOR)	1					
	34960110500	SENSOR,SPEED (WITH KEY)	1					
2	90101206012	BOLT	4		M6X12			
3	90302040601	WASHER,SPRING	4		6			
4	90303070601	WASHER,PLAIN	4		6			
5	90201200600	NUT	4		M6			
6	82100002006	CLAMP	4		WR10			

TR-350M-1-00203 5 BOOM + JIB(PT),2M2D
 PG1010170-03 BOOM

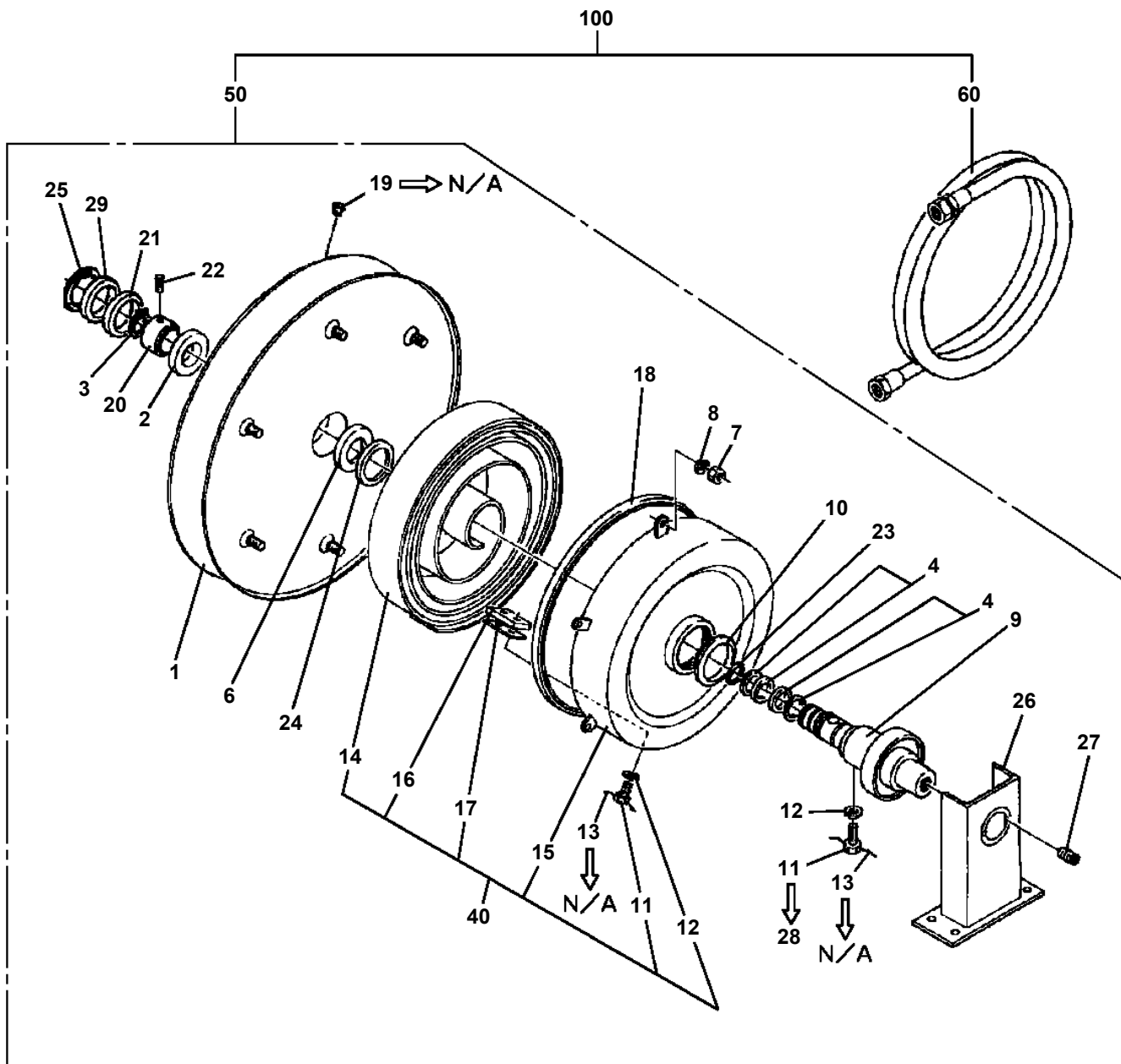


展開圖有
 ILLUSTRATED BREAKDOWN NO.51 52:54,55

TR-350M-1-00203 5 BOOM + JIB(PT),2M2D

Pos No.	Parts No	Parts Name	Qty	Unit	Technical Data	Serial No (Start)	Serial No (End)	Re
69	37000536430	PLATE	4					
70	90101510020	BOLT	14		M10X20			
71	90302041001	WASHER,SPRING	23		10			
72	37002003170	PLATE,SLIDE	2					
73	33220000120	SHIM	6		T=1			
74	33220000130	SHIM	4		T=0.6			
75	90101512025	BOLT	4		M12X25			
76	90302041201	WASHER,SPRING	4		12			
77	37000529270	PLATE	2					
78	37000129380	PIN	1					
79	37000200010	PIN,SNAP	1					
80	37000111120	PIN	3					
81	18111009010	PIN,SNAP	3					
82	37001002850	SHEAVE ASSY	1					
83	37000133680	PIN	1					
84	16511007000	PLATE	1					
85	37000402390	BEARING,PLAIN	2					
87	37000130270	PIN	1					
88	80601110450	RING,RITAINING	2		S45			
89	37000303560	SPACER	2		L=3			
90	37001103920	ROLLER ASSY	1					
91	34220510500	STOPPER	2					
102	82458102000	NIPPLE,GREASE	2		B-PT1/8			
104	82456201000	NIPPLE,GREASE	1		A-TYPE PT1/8			
105	80136380071	PIN,SPLIT	2		8X71			
106	37000538080	PLATE	2					
121	19218903000	HOLDER	1					
122	34220125100	HANDLE	1					
123	56260007000	HOLDER	2					
124	34220125200	SUPPORT	1					
131	34341153200	JOINT	1					
132	34341153300	JOINT	1					
133	34341153400	JOINT	1					
141	34360704300	GUIDE	1					
142	34360704200	SUPPORT	1					
143	37000501240	PLATE	1					
144	90101206016	BOLT	5		M6X16			
145	34360704700	PLATE	1					
146	34360704500	PLATE	1					
162	80804020030	BEARING,PLAIN	2					
171	34220501100	GUIDE	1					
172	34220501050	PLATE	1					
173	80136332020	PIN,SPLIT	1		3.2X20			
174	90303070801	WASHER,PLAIN	6		8			
175	37001200860	SPRING	1					
182	80515006014	BEARING,BALL	2					
183	80612111100	RING,RETAINING	1					
191	34220086510	PIN	2					
192	90306000260	WASHER (WAVE)	8					
193	19411306000	PIN (SCREW)	2					
194	19411307000	PIN (B)	2					
201	14117513000	PIN,SNAP	1					
211	34220504201	SUPPORT	1					
212	34220504110	SUPPORT	1					
213	90102520170	BOLT	2		M20X170			
214	19411488000	PLATE	4					
215	34220015200	SUPPORT	1					
216	19411487000	PIN	1					
217	90203402000	NUT	2		M20			
218	90201402000	NUT	2		M20			
221	37001100060	ROLLER ASSY	1					
222	16621418000	SUPPORT	1					
223	16411416001	PIN	1					

TR-350M-1-00203 5 BOOM + JIB(PT),2M2D
PG1070026-02 REEL,HOSE



TR-350M-1-00203 5 BOOM + JIB(PT),2M2D

Pos No.	Parts No	Parts Name	Qty	Unit	Technical Data	Serial No (Start)	Serial No (End)	Remarks	P
1	16311007000	SPACER	1		L=3.5				
2	37001004750	SHEAVE ASSY (IMONO)	1						
3	16411006000	SPACER	1						
4	34440981300	GUIDE	1						
5	34441054100	GUIDE	1						
6	90101208030	BOLT	2		M8X30				
7	90201200800	NUT	2		M8				
8	90302040801	WASHER,SPRING	2		8				
9	33220033230	SUPPORT	1						
10	34441234100	SUPPORT	1						
11	34441204100	SUPPORT	1						
22	80612111250	RING,RITAINING	1		AR125				
23	80515006214	BEARING,BALL	2						

TR-350M-1-00203 5 BOOM + JIB(PT),2M2D

Pos No.	Parts No	Parts Name	Qty	Unit	Technical Data	Serial No (Start)	Serial No (End)
1	37002428650	HOSE	1		L=950		
2	37002428660	HOSE	1		L=735		
3	80456010610	JOINT,SELF SEALING	4				
4	80456020610	JOINT,SELF SEALING	4				
5	37000908330	JOINT	2				
6	34474161100	SUPPORT	1				
7	34474161200	PLATE,CAUTION	1				
8	37000910760	JOINT	1				
9	80430410650	JOINT	4				
10	36671550000	JOINT,SWIVEL	2				
11	91800000003	FASTENER	8				
21	34474165100	COVER ASSY (SIGNAL TRANSMITTER)	1				
22	91800000002	FASTENER	5				
23	34474165200	PLATE,CAUTION	1				
31	82100002490	CAP	2				
32	82100002478	CAP	2				
33	34474166100	PLATE,CAUTION	1				

TR-350M-1-00203 5 BOOM + JIB(PT),2M2D

Pos No.	Parts No	Parts Name	Qty	Unit	Technical Data	Serial No (Start)	Serial No
1	14128208000	RING	5				
2	82100002005	CLAMP	1		WRC8		
3	33370085100	WEIGHT	1				
4	37001900820	WIRE	1		L=1440		
5	37002900000	SHACKLE ASSY	1				
6	33370888041	SWITCH,OVER WIND DETECTOR (JIB&S/T)	1				
7	37001900840	WIRE	1		L=1290		
8	90000000090	RING	1				
9	37000117960	PIN	1				

TR-350M-1-00203 5 BOOM + JIB(PT),2M2D

Pos No.	Parts No	Parts Name	Qty	Unit	Technical Data	Serial No (Start)	Serial No (End)	Remarks	Pages
1	82100002622	SWITCH,LIMIT	1						
2	34950390200	CAM	1						
3	37000505660	PLATE	1						
4	90101208020	BOLT	2		M8X20				
5	90302040801	WASHER,SPRING	2		8				
6	90303070801	WASHER,PLAIN	2		8				
7	37000545630	PLATE	1						

TR-350M-1-00203 5 BOOM + JIB(PT),2M2D

Pos No.	Parts No	Parts Name	Qty	Unit	Technical Data	Serial No (Start)	Serial No (End)	Remarks	Pages
1	82100002629	SWITCH,LIMIT	1						
3	34360620100	CAM	1						
4	90730006120	SCREW,SET	1		M6X12				

TR-350M-1-00203 5 BOOM + JIB(PT),2M2D

Pos No.	Parts No	Parts Name	Qty	Unit	Technical Data	Serial No (Start)	Serial No (End)	Re
1	82100002004	CLAMP	2		WR8			
2	90190000008	BOLT,STUD	13		M6X20			
3	90201200600	NUT	13		M6			
4	90302040601	WASHER,SPRING	13		6			
5	36160220000	REEL,CORD	1					
6	90101212025	BOLT	4		M12X25			
8	90302041201	WASHER,SPRING	4		12			
9	34360714300	SUPPORT	1					
10	82100002002	CLAMP	8		WR6			
11	34360704200	SUPPORT	1					
12	34360704300	GUIDE	1					
13	34360704400	SUPPORT	1					
14	90101208014	BOLT	2		M8X14			
15	90302040801	WASHER,SPRING	6		8			
19	36120020001	TRANSMITTER,SIGNAL (UPPER)	1					
20	82400000205	GROMMET	1					
21	90101208018	BOLT	4		M8X18			
22	90201200800	NUT	4		M8			
23	34360704500	PLATE	1					
24	80172305045	SCREW,MACHINE	3		M5X45			
25	90302040501	WASHER,SPRING	4		5			
26	34360704601	LEVER	1					
28	90201200500	NUT	1		M5			
30	34360705000	DETECTOR,JIB ANGLE	1					
31	91800000002	FASTENER	2					
32	34360704700	PLATE	1					
33	37001300110	SPRING	1					
34	80136332025	PIN,SPLIT	1		3.2X25			
35	34360704800	GUARD	1					
36	90102210045	BOLT	1		M10X45			
37	90201201000	NUT	1		M10			
38	34360714010	GUARD	1					
39	34360714100	SUPPORT	1					
40	37000501240	PLATE	1					
41	82100002351	SWITCH,LIMIT	1					
42	82100002001	CLAMP	1		WR5			
43	37002702490	CABLE ASSY	1					
44	90131505025	BOLT,HEXAGON SOCKET	1		M5X25			
45	82100002006	CLAMP	2		WR10			

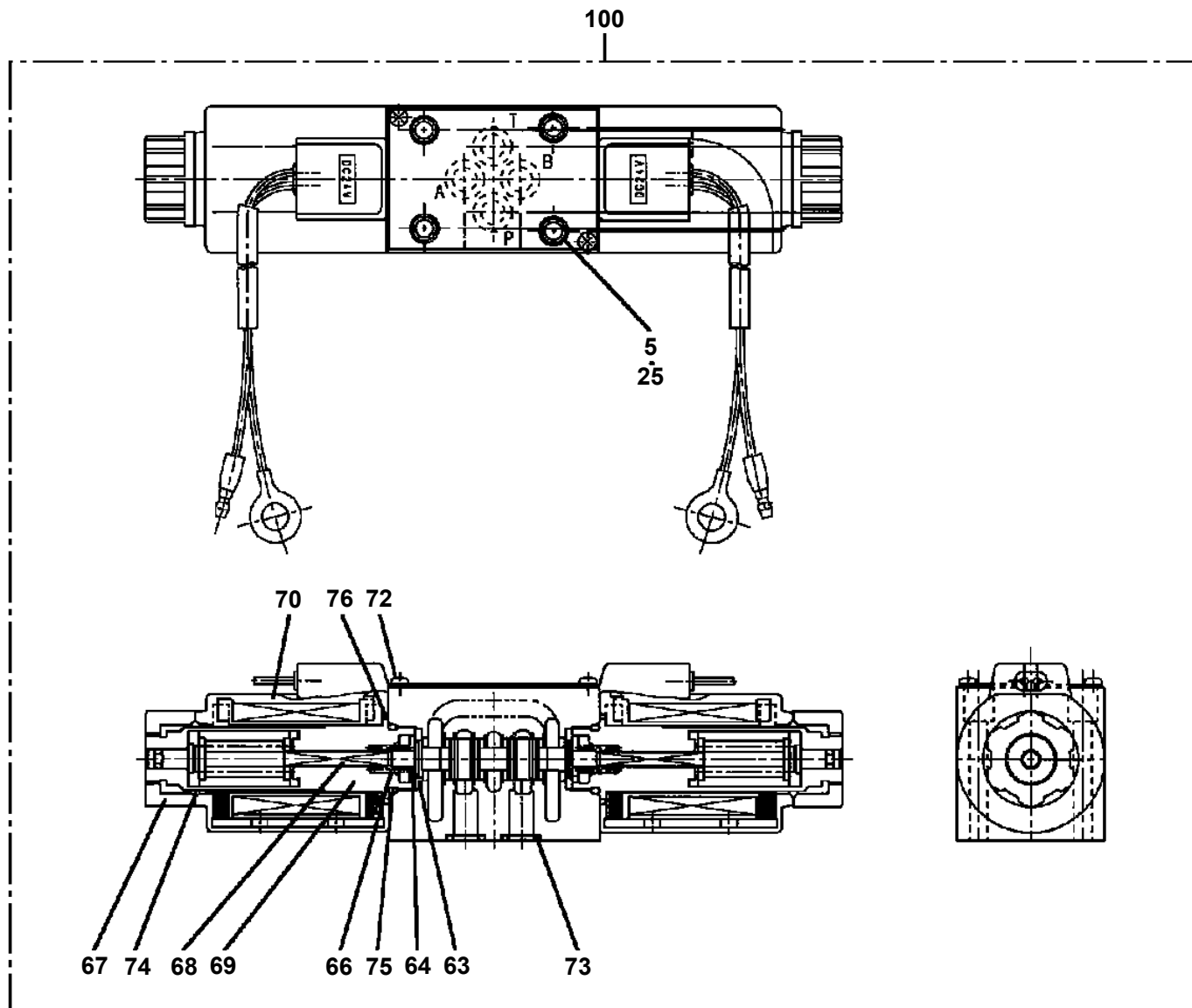
TR-350M-1-00203 5 BOOM + JIB(PT),2M2D

Pos No.	Parts No	Parts Name	Qty	Unit	Technical Data	Serial No (Start)	Serial No (End)	Remark
1	36661425010	SEAL,OIL	1					
3	91002912500	O-RING	1		1B G125			
4	36661425020	SHIM	1					
5	36661425030	BEARING,ROLLER	1					
7	36661425040	O-RING	2					
9	36661425050	SPACER	6					
10	36661425060	PLATE (RETURN)	1					
11	36661425070	RETAINER (PLATE)	1					
12	90101208025	BOLT	6		M8X25			
13	90302040801	WASHER,SPRING	6		8			
16	36661425080	BEARING,NEEDLE	1					
17	36661425090	PLATE (BALANCE)	1					
18	36660095150	PIN (STRAIGHT)	2					
19	36661425100	SPRING	4					
20	36661425110	SPACER	4					
21	36661425120	RING,TEFLON	4					
22	36661425130	BUSH	4					
23	90101212045	BOLT	10		M12X45			
24	90302041201	WASHER,SPRING	10		12			
25	36660505090	SHOE	11					
26	36660505110	SPRING (WAVE)	11					
27	36660505100	RING,TEFLON	11					
29	36661425140	SPACER	1					
30	90131512030	BOLT,HEXAGON SOCKET	18		M12X30			
31	90302401201	WASHER,SPRING (12)	18					
41	36661430000	MOTOR,HYDRAULIC	1					
42	36602650000	VALVE,COUNTERBALANCE	1					
50	36661330000	MOTOR,HYDRAULIC	1					

TR-350M-1-00203 5 BOOM + JIB(PT),2M2D

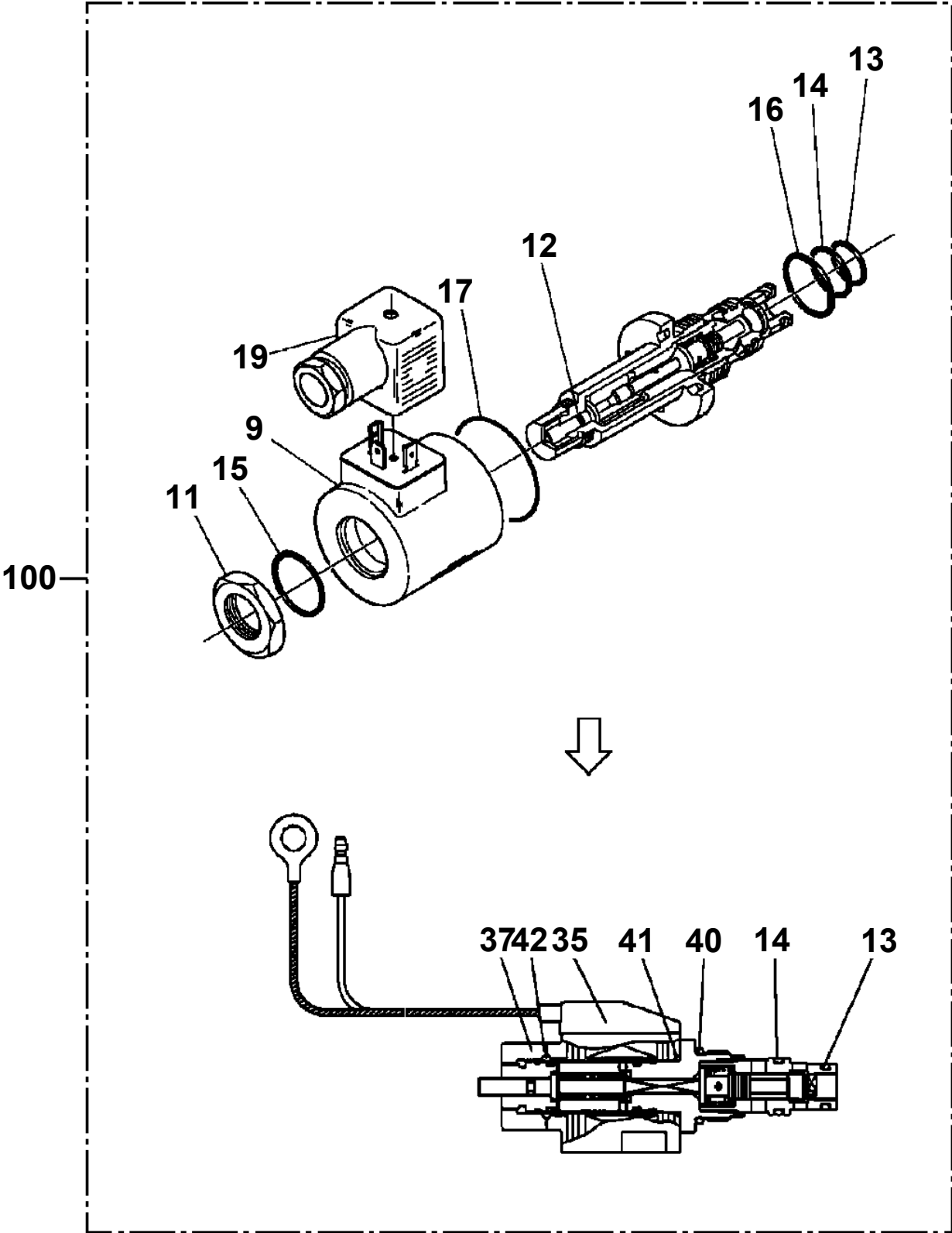
Pos No.	Parts No	Parts Name	Qty	Unit	Technical Data	Serial No (Start)	Serial No (End)	Remarks	Pages
3	36100005050	O-RING	1						
12	36100225010	INDICATOR ASSY	1						
30	36100880000	RESERVOIR,OIL	1						

TR-350M-1-00203 5 BOOM + JIB(PT),2M2D
PI1120070-05 VALVE,SOLENOID

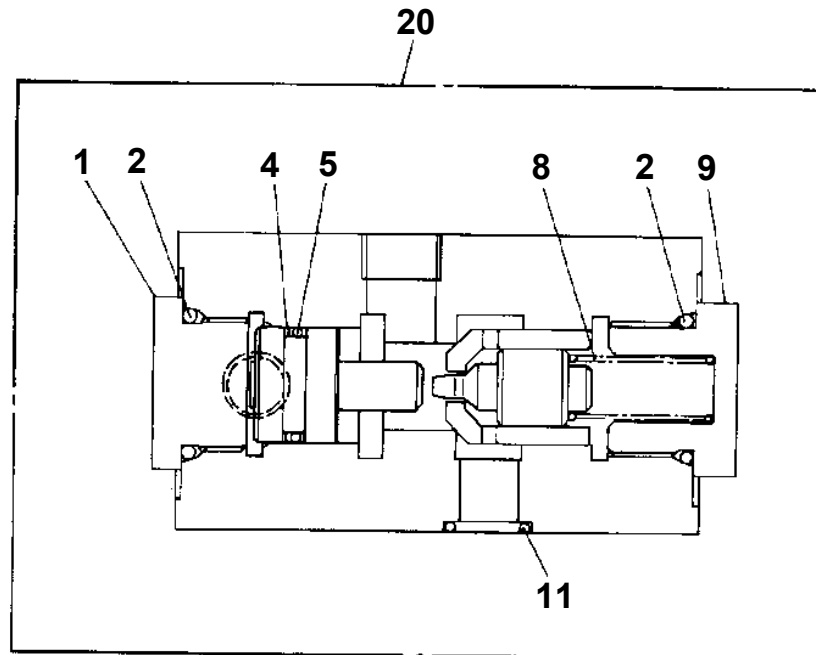


Ⓐ

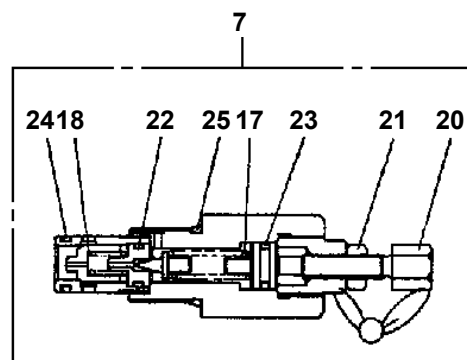
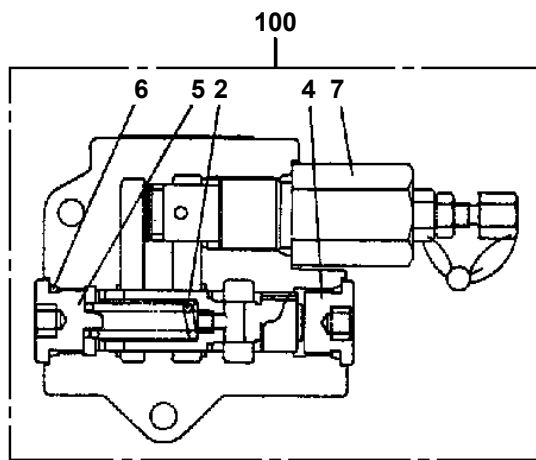
TR-350M-1-00203 5 BOOM + JIB(PT),2M2D
PI1120260-01 VALVE,SOLENOID



TR-350M-1-00203 5 BOOM + JIB(PT),2M2D
PI1140008-00 VALVE,CHECK



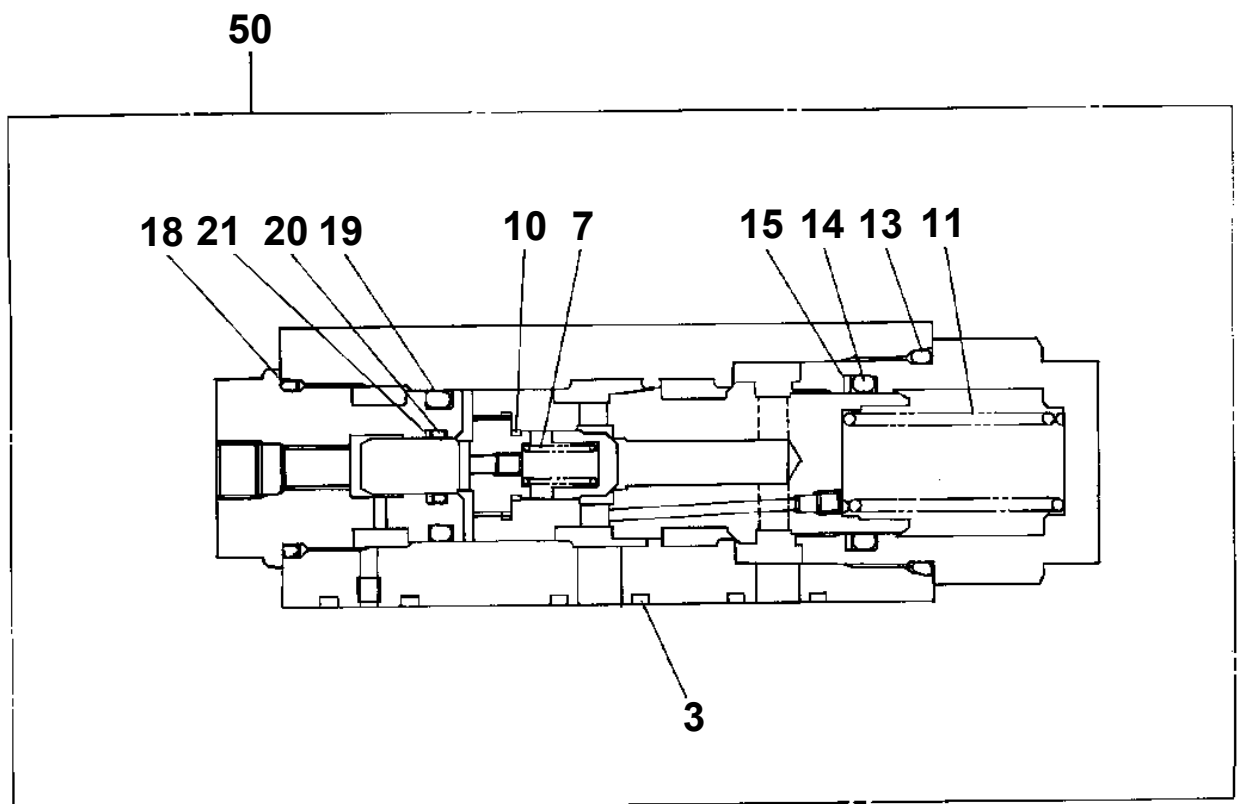
**TR-350M-1-00203 5 BOOM + JIB(PT),2M2D
PI1160002-01 VALVE,FLOW CONTROL**



TR-350M-1-00203 5 BOOM + JIB(PT),2M2D
PI1250063-00 VALVE,COUNTERBALANCE

Assembly Name VALVE, COUNTERBALANCE

PI125-0063-00



CLICK HERE TO **DOWNLOAD** THE COMPLETE MANUAL

- Thank you very much for reading the preview of the manual.
- You can download the complete manual from: www.heydownloads.com by clicking the link below

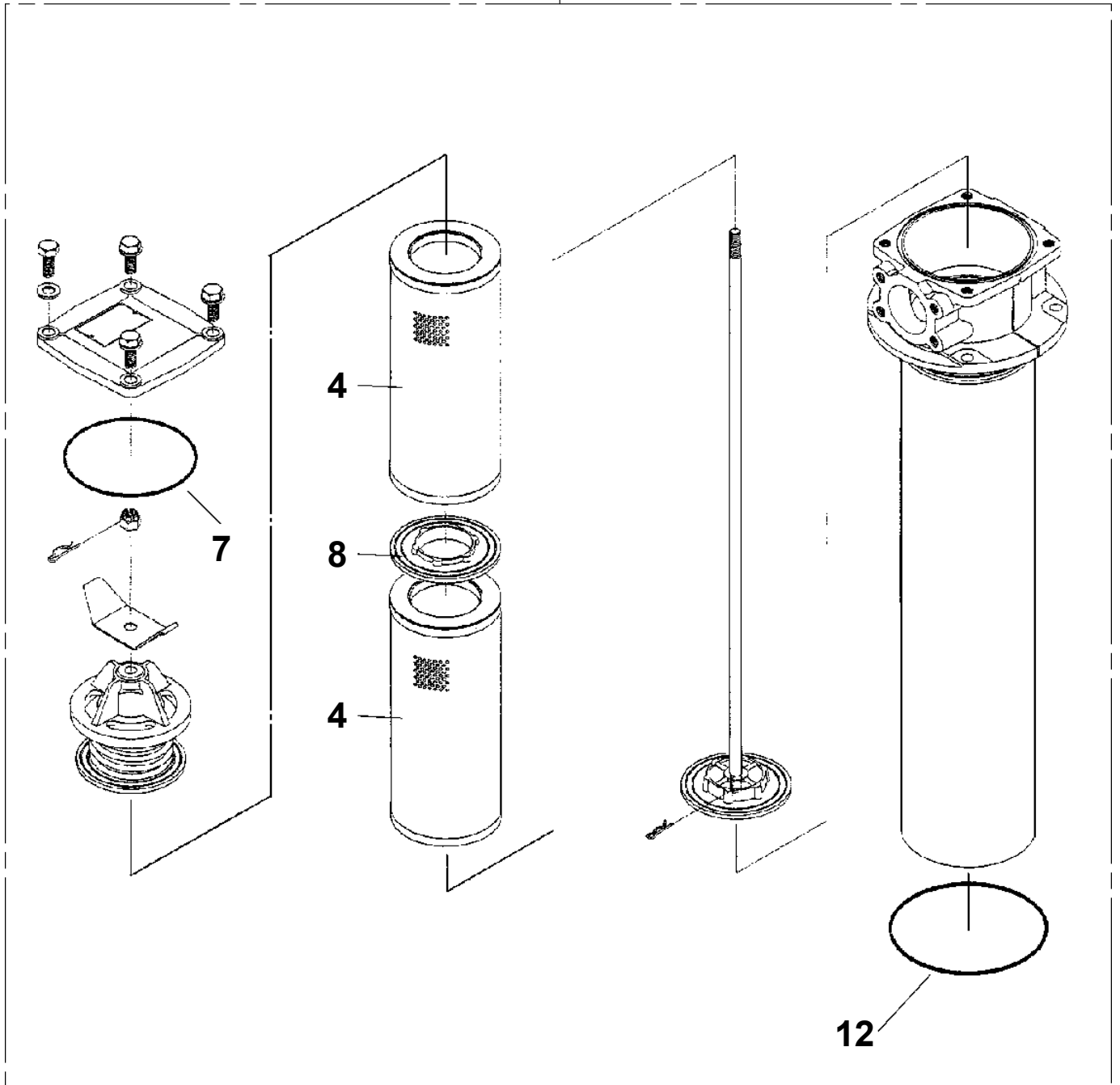


- Please note: If there is no response to CLICKING the link, please download this PDF first and then click on it.

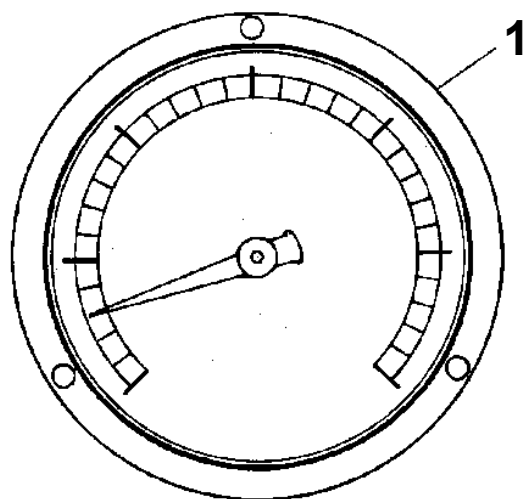
CLICK HERE TO **DOWNLOAD** THE COMPLETE MANUAL

TR-350M-1-00203 5 BOOM + JIB(PT),2M2D
PI1300012-03 FILTER,OIL (TANK,OIL)

30



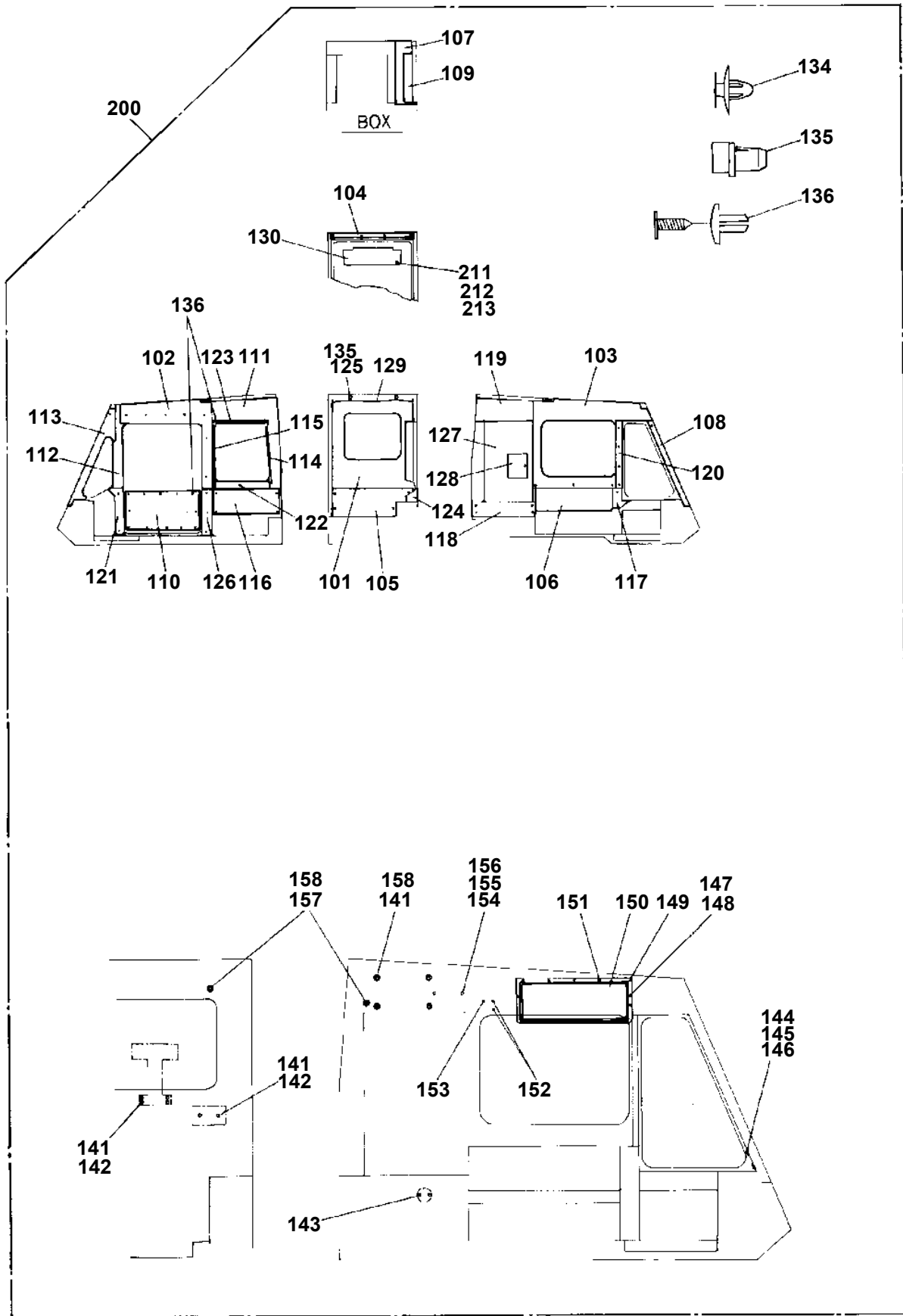
TR-350M-1-00203 5 BOOM + JIB(PT),2M2D
PI1420003-02 GAUGE,PRESSURE



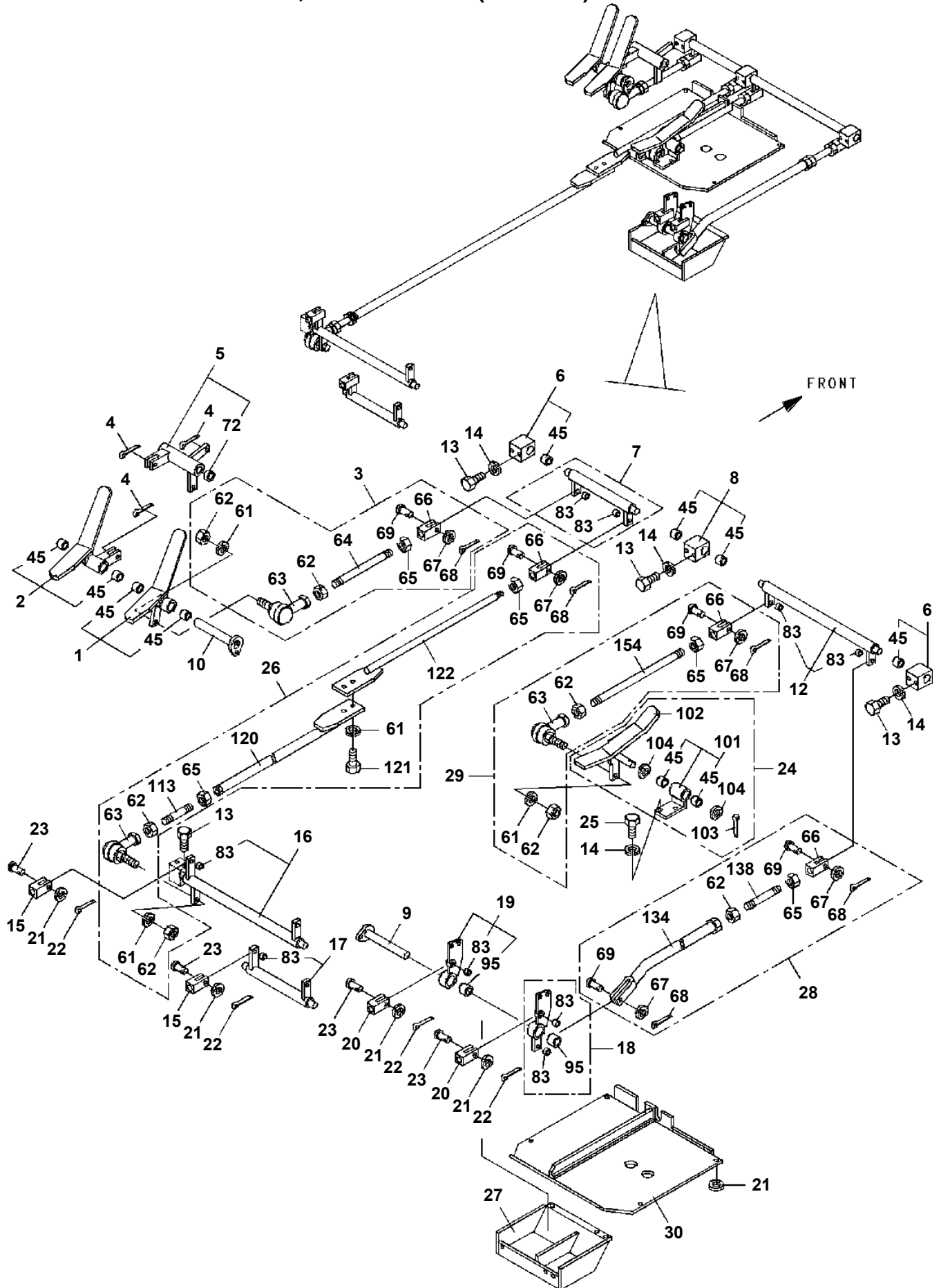
TR-350M-1-00203 5 BOOM + JIB(PT),2M2D

Pos No.	Parts No	Parts Name	Qty	Unit	Technical Data	Serial No (Start)	Serial No (End)
1	90201200800	NUT	4		M8		
2	80192484012	SCREW,MACHINE (WITH WASHER)	16		M4X12		
3	34250361800	COVER	2				
4	90101206014	BOLT	24		M6X14		
5	90302040601	WASHER,SPRING	24		6		
6	34250160040	COVER	1				
7	34250360300	SUPPORT	1				
8	34250360200	BELT	1				
9	34250360500	PANEL	1				
10	82400000180	TRAY,ASH	1				
11	34250130400	COVER	1				
12	80192485014	SCREW,MACHINE (WITH WASHER)	13		M5X14		
13	34250360600	COVER	1				
14	34250360700	COVER	1				
15	34250120600	COVER	1				
16	34250360800	PANEL	1				
17	90302040501	WASHER,SPRING	2		5		
18	34250123300	COVER	1				
19	90101208020	BOLT	19		M8X20		
20	90303070801	WASHER,PLAIN	9		8		
21	90302040801	WASHER,SPRING	25		8		
22	34250123000	SUPPORT	1				
23	90101210022	BOLT	14		M10X22		
24	90302041001	WASHER,SPRING	14		10		
25	90303071001	WASHER,PLAIN	2		10		
26	80182406014	SCREW,MACHINE	35		M6X14		
27	90302350601	WASHER,SPRING (6)	38				
28	90303360601	WASHER,PLAIN	23		6		
29	80182406010	SCREW,MACHINE	3		M6X10		
30	82100000949	GROMMET	2				
31	34250121100	COVER	1				
32	34250121200	COVER	1				
33	34250361500	COVER	2				
34	34250121300	SUPPORT	1				
35	34250361900	CUSHION ASSY	1				
36	34250362100	SEAT ASSY	1				
37	34250360101	SEAT ASSY	1				
38	34250360900	COVER	1				
40	34250361001	COVER	1				
41	34250380100	PANEL	1				
42	34250361201	SUPPORT	1				
43	34250121900	COVER	1				
44	34250361400	SUPPORT	1				
45	90201200500	NUT	5		M5		
46	90240200500	NUT,CAP	3		M5		
47	90303360501	WASHER,PLAIN	3		5		
48	37001200180	SPRING	3				
49	34250022000	LEVEL	1				
50	37000512320	PLATE	10				
51	82100000957	GROMMET	1		SG-38A		
52	82100000953	GROMMET	1				
53	82100000819	GROMMET	1		SG-22A		
54	34250481600	SUPPORT	1				
55	34350002100	CAP	6				
56	19114510000	GROMMET	1				
57	34250380200	SUPPORT	1				
58	34250480200	COVER	1				
59	90101208016	BOLT	2		M8X16		
60	82100000954	GROMMET	1				
71	34250367510	SEAT ASSY	1				
72	34250367520	ADJUSTER ASSY (VERTICAL)	1				505547
73	34250127520	SEAT	1				
82	34250121920	CUSHION	1				

**TR-350M-1-00203 5 BOOM + JIB(PT),2M2D
 PK1140035-03 CAB, OPERATOR**

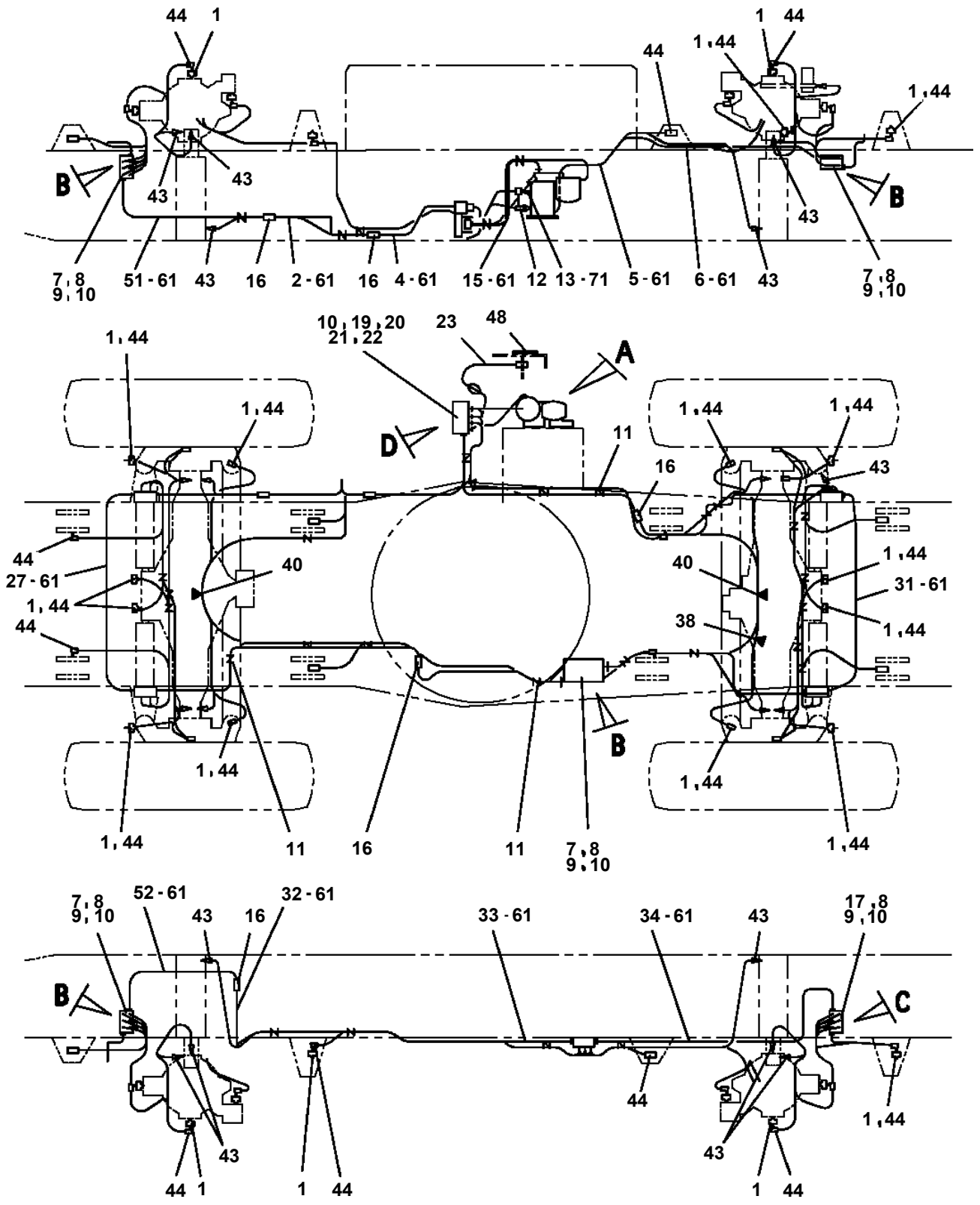


TR-350M-1-00203 5 BOOM + JIB(PT),2M2D
PL1010246-00 OPE.ASSY,CONT.VALVE (OPTION)



TR-350M-1-00203 5 BOOM + JIB(PT),2M2D
 PM1050007-03 CENTRAL LUBRICATION SYSTEM

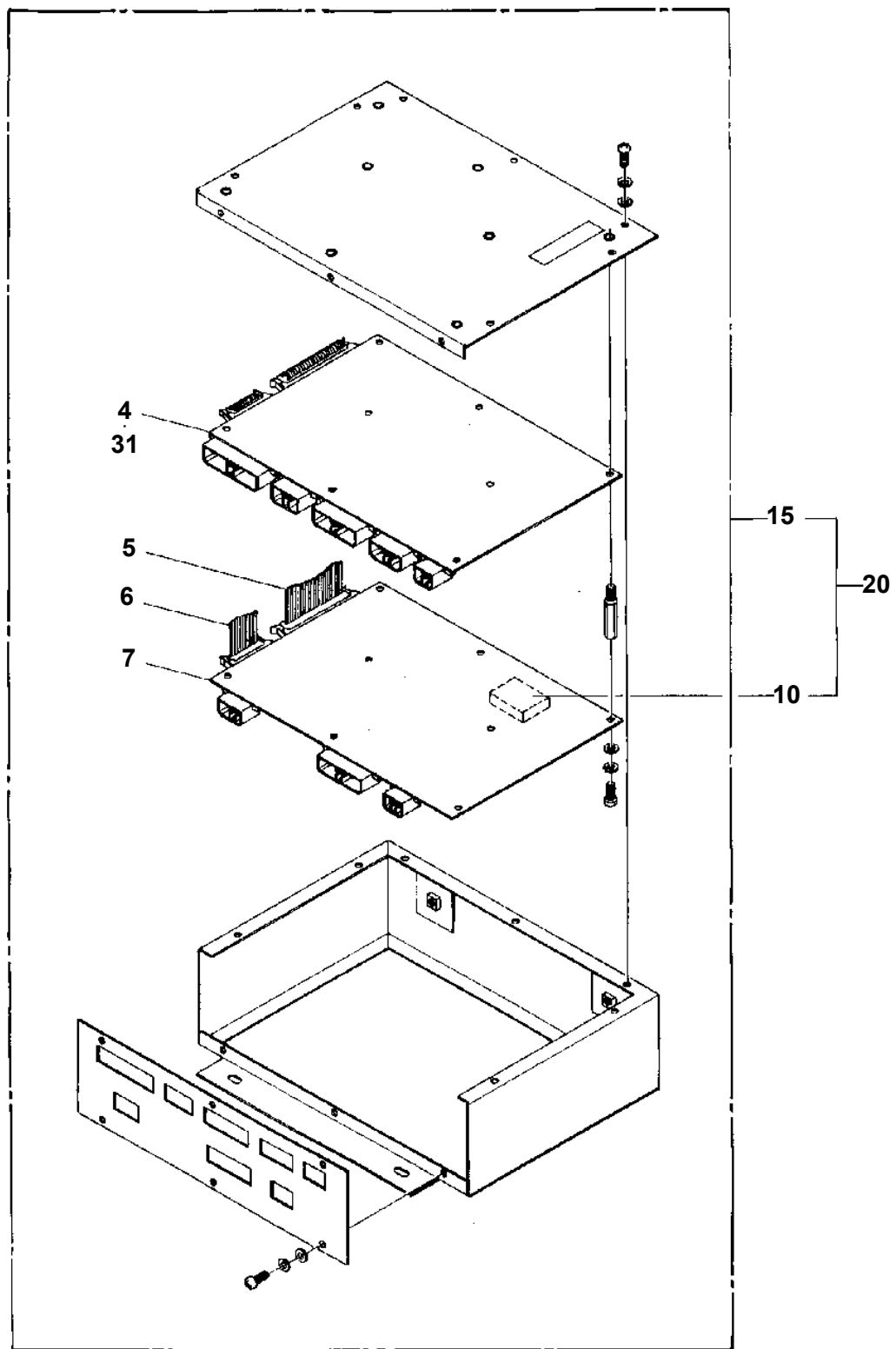
← FRONT



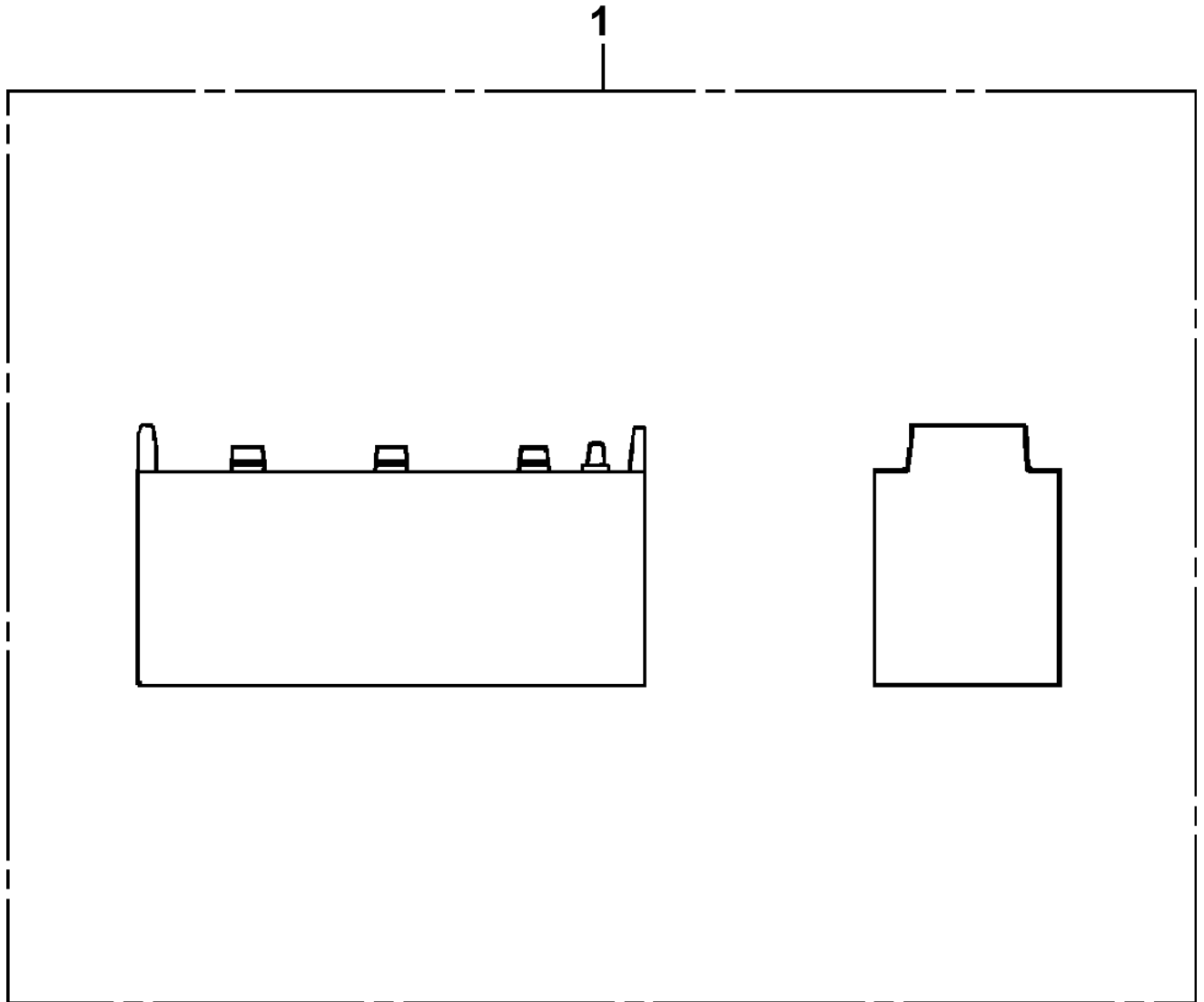
TR-350M-1-00203 5 BOOM + JIB(PT),2M2D

Pos No.	Parts No	Parts Name	Qty	Unit	Technical Data	Serial No (Start)	Serial No (End)
1	34350910130	HARNESS	1				505399
2	34350910110	HARNESS	1				505399
3	34350910300	HARNESS	1				
4	34351188020	RELAY ASSY (WITH HARNESS)	1				
10	90101206012	BOLT	68		M6X12		
11	90302040601	WASHER,SPRING	82		6		
12	90303070601	WASHER,PLAIN	84		6		
13	34351381000	TRANSMITTER,MULTI. DATA (UPPER)	1				
14	82100001883	RELAY (INTERMIT WIPER)	1				
15	82100002014	CLAMP	6		WR20		
16	82100002010	CLAMP	6		WR15		
17	90201200600	NUT	55		M6		
18	82100001354	LAMP	2		24V 60W		
19	33430000070	SUPPORT	1				
21	34350910100	GUARD	1				
23	82100002002	CLAMP	47		WR6		
24	82100002016	CLAMP	2		WR25		
25	90201200800	NUT	2		M8		
26	90101208012	BOLT	6		M8X12		
27	90302040801	WASHER,SPRING	6		8		
28	90303070801	WASHER,PLAIN	6		8		
29	82100002019	CLAMP	4		WR40		
30	33430000060	LAMP ASSY	1				
31	82100000711	CLAMP	8				
32	82100000564	BUZZER	1				
33	80175304010	SCREW,MACHINE	2		M4X10		
34	82100000955	GROMMET	1		SG-34A		
35	19218101000	WASHER,WINDOW	1				
36	90101206020	BOLT	2		M6X20		
37	82100001645	CONDENSER	3				
38	82100002311	RELAY (FLASHER UNIT)	1				
39	34350850530	BUZZER ASSY (WITH HARNESS)	1				
40	34350171640	BUZZER ASSY	1				
41	80172303010	SCREW,MACHINE	2		M3X10		
42	90302040301	WASHER,SPRING	2		3		
43	34350850510	BUZZER ASSY	1				
44	80162302520	SCREW,MACHINE	2		M2.5X20		
45	90302040251	WASHER,SPRING	2		2.5		
46	34350850520	CABLE	1				
47	90101210025	BOLT	2		M10X25		
48	90302041001	WASHER,SPRING	2		10		
49	82100002006	CLAMP	6		WR10		
50	14148375000	GROMMET	1				
51	82100001397	LAMP (CLEARANCE)	2				
52	34350910200	SUPPORT	1				
53	33430151110	SUPPORT	1				
54	34350350090	GUARD	1				
55	90441340060	SCREW,TAPPING	4		M4X6		
56	82100000208	CLAMP	3		WT4		
57	82100000207	CLAMP	1				
58	34350850540	BUZZER ASSY	1				
59	80172304012	SCREW,MACHINE	4		M4X12		
60	90302040401	WASHER,SPRING	4		4		
61	90303070401	WASHER,PLAIN	4		4		
62	82100002051	CLAMP	1		WS-A55		
64	34351540020	HARNESS	1			505400	
65	34351540030	HARNESS	1			505400	
66	34351540040	HARNESS	1			505400	
81	36680210000	GAUGE,TEMPERATURE (OIL)	1				
82	36680220000	GAUGE,TEMPERATURE (WATER)	1				
83	36680240000	GAUGE,FUEL	1				
85	36680800000	TACHOMETER	1				
86	80192484020	SCREW,MACHINE	8		M4X20		

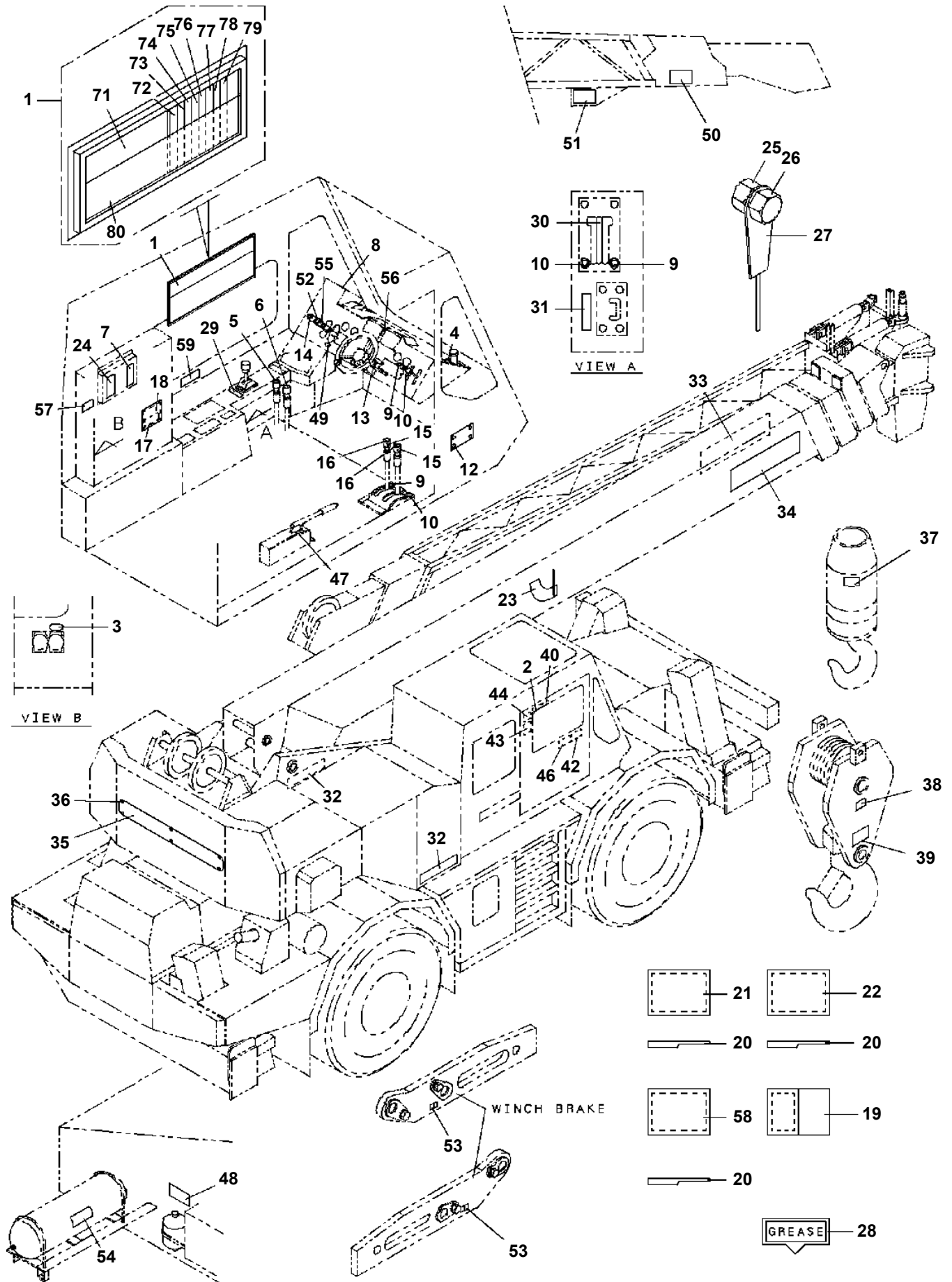
TR-350M-1-00203 5 BOOM + JIB(PT),2M2D
PN1200006-01 TRANSMITTER,MULTI. DATA (LOWER)



TR-350M-1-00203 5 BOOM + JIB(PT),2M2D
PN1370122-00 BATTERY (YUASA,115F51)



**TR-350M-1-00203 5 BOOM + JIB(PT),2M2D
PO1010436-03 PLATE ASSY,NAME (UPPER)**



- 21
- 22
- 20
- 20
- 58
- 19
- 20
- GREASE 28

TR-350M-1-00203 5 BOOM + JIB(PT),2M2D

Pos No.	Parts No	Parts Name	Qty	Unit	Technical Data	Serial No (Start)	Serial No (End)	Remarks	Pages
1	(*****)	PLATE,NAME (AML)	1						

TR-350M-1-00203 5 BOOM + JIB(PT),2M2D

Pos No.	Parts No	Parts Name	Qty	Unit	Technical Data	Serial No (Start)	Serial No (End)	Remarks	Pages
1	36360730000	ENGINE	1						

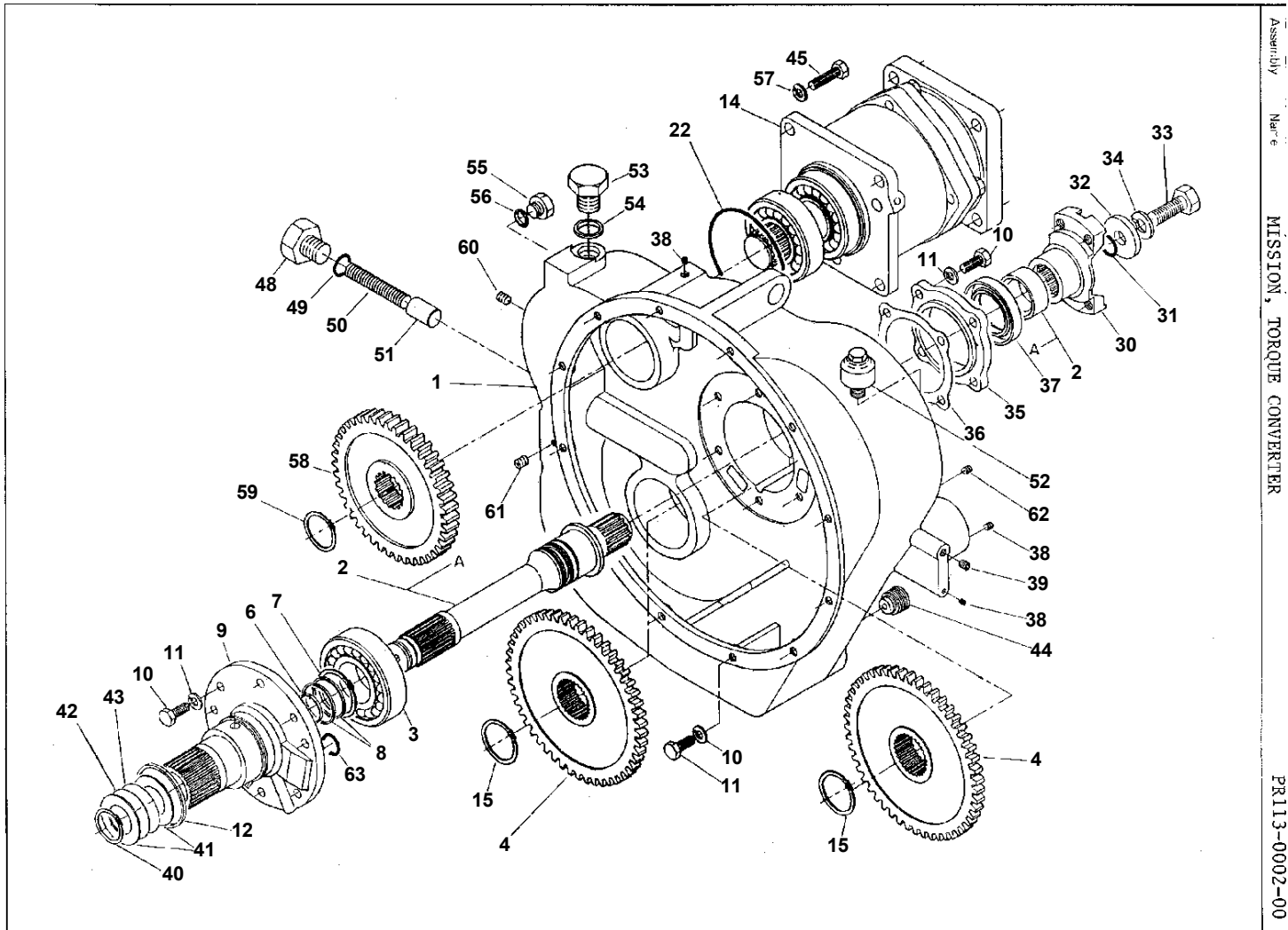
TR-350M-1-00203 5 BOOM + JIB(PT),2M2D

Pos No.	Parts No	Parts Name	Qty	Unit	Technical Data	Serial No (Start)	Serial No (End)	Rema
1	81401010001	PIPE,STEEL (DOUBLE LAYER)	2	M	10X0.7T			
2	81401080001	PIPE,STEEL (DOUBLE LAYER)	2	M	8X0.7T			
3	34880270700	HOSE	1					
4	91803600160	CLIP	8		D=11-16			
5	34880270750	HOSE	1					
6	82100002040	CLAMP	2		WE15			
7	37000506240	PLATE	1					
8	90303071201	WASHER,PLAIN	2		12			
9	80136332025	PIN,SPLIT	2		3.2X25			
10	56560009000	PIN	2					
11	82100001411	TUBE,SPIRAL	2		SE-08BK			
12	34880305000	SENDER,FUEL	1			505393	505392	
	34880306000	SENDER,FUEL	1					
13	34880270570	HOSE	1					
14	34880030550	HOSE	1		L=550			
21	34880272000	PLATE	3					
22	37000702270	CLAMP ASSY	2					
23	59460002000	BAND	2					
24	59460005000	CUSHION	2					
25	90201201000	NUT	4		M10			
26	36100330000	TANK,FUEL (300L)	1				505392	
	36101400000	TANK,FUEL (300L)	1			505393	505691	
27	34880281000	SUPPORT	1					
28	37000300710	SLEEVE	3		12-8			
29	37000300720	SLEEVE	3		12-10			
30	90101208014	BOLT	2		M8X14			
31	90302040801	WASHER,SPRING	2		8			
32	90201200800	NUT	1		M8			
33	36101870000	TANK,FUEL (300L)	1			505692		

TR-350M-1-00203 5 BOOM + JIB(PT),2M2D

Pos No.	Parts No	Parts Name	Qty	Unit	Technical Data	Serial No (Start)	Serial No (End)	Rema
65	34780430250	PLATE	1					
66	37000501090	PLATE	2					
67	37000506640	PLATE	2					
68	37001503570	BOLT	4		M24X90			
70	34260230900	CUSHION (KURASHIKIKAKO)	4					
82	36360011060	CLAMP	1				505405	
	36360351150	CLAMP	1			505406		
83	36360011080	NUT	12					
84	36360011090	WASHER,SPRING	12					
85	36360351010	MUFFLER	1					
86	36360351020	RING,SEAL	1				505405	
87	36360351030	GASKET	5					
88	36360351040	VALVE,EXHAUST (BRAKE)	1					
91	36360351140	CLAMP	3					
92	36360351080	CUSHION	2					
93	36360011030	NUT	8		M12			
95	36360351140	CLAMP	1					
96	36360351110	HOSE	1				505405	
	36360351160	HOSE	1			505406		
97	34780491000	PIPE	1					
98	36360351130	HOSE (ELBOW)	1					
99	36360351120	HOSE	1					

TR-350M-1-00203 5 BOOM + JIB(PT),2M2D
 PR1130002-00 MISSION, TORQUE CONVERTER



Assembly Name MISSION, TORQUE CONVERTER
 PR113-0002-00

TR-350M-1-00203 5 BOOM + JIB(PT),2M2D

Pos No.	Parts No	Parts Name	Qty	Unit	Technical Data	Serial No (Start)	Serial No (End)
141	90171108070	BOLT	3		M8X70		
142	90171108065	BOLT	3		M8X65		
143	90171108065	BOLT	2		M8X65		
144	36350265910	WASHER	2				
145	36370217190	O-RING	1				
146	36370207300	WASHER	1				
147	90302041601	WASHER,SPRING	1		16		
148	36350275550	SHAFT	1				
149	36350275560	BEARING,ROLLER	1				
150	36350295470	BOLT	7				
151	36350295460	BEARING,BALL	1				
152	36370207620	SENSOR	1				
153	36350265960	SPRING	1				
154	36350275600	SPRING	1				
155	36350295480	O-RING	1				
157	36350275620	COVER	1				
158	36350265930	COLLAR	1				
159	36350295500	PLUG	2				
169	36350265970	CLIP	1				
170	36350265970	CLIP	1				
171	36350275650	SEAL,OIL	2				
190	36350275471	GAUGE,OIL	1				
191	36350275770	SEAL KIT	1				
202	36350296010	GASKET	1				
203	36370207420	PLUG	2				
204	36370207430	O-RING	2				
205	36370207440	SPRING	1				
206	36370207450	PISTON	1				
207	36370207480	SPRING	1				
208	36370207490	SPRING	1				
209	36370207500	PISTON	1				
210	80205000100	PLUG	2		PT1/8		
222	36350296210	GASKET	1				
223	36350265640	PLUG	1				
224	36350265630	O-RING	1				
225	36350265620	SPRING	1				
226	36350265610	PISTON	1				
241	36350296410	BODY	1				
242	36370208520	GASKET	1				
243	36370208530	VALVE,SOLENOID	1				505633
251	36350275750	BOLT	2				
252	36350275760	WASHER,SEAL	4				
261	36350268510	NUT	1				505633
262	36350295530	CONNECTOR	1				505633
263	36350295540	COIL KIT	1				505633
400	36350290000	TRANSMISSION	1				

TR-350M-1-00203 5 BOOM + JIB(PT),2M2D

Pos No.	Parts No	Parts Name	Qty	Unit	Technical Data	Serial No (Start)	Serial No (End)
1	36350297160	SHAFT KIT	1				
2	36350297010	RING,PISTON	2				
4	36350297020	PISTON ASSY	2				
5	36350297030	RING,PISTON	2				
6	36350297170	DISK KIT	1				
9	36350297040	RING,RETAINING	2				
10	36350297050	WASHER	4				
11	36350297060	SPRING	2				
12	36370208100	BEARING,BALL	1				
13	36350297510	GEAR (I)	1				
14	36350297090	COLLAR	1				
15	36350267100	BEARING,BALL	2				
16	36350297520	GEAR (E)	1				
17	36350297120	COLLAR	1				
18	80602110800	RING,RITAINING	1		R80		
19	80601110550	RING,RITAINING	3		S55		
20	36370208110	BEARING,BALL	1				
21	80601110450	RING,RITAINING	2		S45		
22	80602110900	RING,RITAINING	1		R90		
23	36370208040	RING,SEAL	3				
24	36350297130	WASHER	2				
25	80500006010	BEARING,BALL	2				
26	36350297140	WASHER	2				
27	36350297150	PLATE (CONICAL)	2				
28	36350297530	PLATE (BACK)	1				
50	36350297500	F1 F3.CLUTCH PACK,TRANSMISSION	1				

TR-350M-1-00203 5 BOOM + JIB(PT),2M2D

Pos No.	Parts No	Parts Name	Qty	Unit	Technical Data	Serial No (Start)	Serial No (End)	Rem
1	59236000010	NIPPLE,GREASE (UNF1/4X35A)	2					
	36300965010	SPIDER ASSY	2					
2	36300965021	YOKE ASSY	1					
3	36300045050	WASHER,SPRING	16					
4	36300045040	BOLT	16		NF3/8X44X24			
11	36300965030	WASHER (RETAINER)	2					
12	36300965040	WASHER,FELT	1					
13	36300965050	CAP (RETAINER)	1					
20	36300965001	PROPELLER SHAFT, DRIVING	1					

TR-350M-1-00203 5 BOOM + JIB(PT),2M2D

Pos No.	Parts No	Parts Name	Qty	Unit	Technical Data	Serial No (Start)	Serial I
138	36380705150	TIE ROD	1				
139	36380675240	END,TIE ROD (RIGHT HAND SCREW)	1				
140	36380675250	END,TIE ROD (LEFT HAND SCREW)	1				
141	36380675261	BUSHING (TIE ROD END)	2				
142	36380705161	PIN (TIE ROD END)	2				
143	59172030340	PLATE (LOCK)	2				
144	90171108020	BOLT	4		M8X20		
145	80601110350	RING,RITAINING	2		S35		
146	90171110030	BOLT	18		M10X30		
147	90302040801	WASHER,SPRING	4		8		
148	90171120080	BOLT	2		M20X80		
149	90203702000	NUT	2		M20		
150	90302042001	WASHER,SPRING	2		20		
151	36381245110	SHAFT (AXLE)	2				
152	36380705180	COLLAR (SHAFT)	2				
153	36380705191	JOINT,BALL	2				
154	59172030420	BUSHING	2				
155	36380705200	GEAR,SUN	2				
156	36380705210	SPIDER,PLANETARY GEAR	2				
157	36380705220	GEAR,PLANETARY	6				
158	36380705230	PIN	6				
159	59172030170	RING,THRUST	12				
160	36380705240	GEAR,INTERNAL	2				
161	36380705250	HUB,INTERNAL GEAR	2				
162	36380105710	WIRE,LOCK	4				
163	36380105720	NUT,BEARING	2				
164	36380105730	WASHER (LOCK)	2				
165	36380705260	COVER (GEAR SPIDER)	2				
166	36380675370	O-RING	2				
167	36380705270	BEARING,NEEDLE	12				
168	90171108020	BOLT	4		M8X20		
169	36380675380	WASHER,PLAIN	44				
170	90171114045	BOLT	52		M14X45		
171	90302041001	WASHER,SPRING	18		10		
172	36380675390	WASHER	52				
173	80601110600	RING,RITAINING	2		S60		
174	36380705280	PLUG	2				
175	36380215250	PLUG,MAGNET	2				
176	36380105750	SPACER (SUN GEAR)	2				
177	36380705290	HUB,WHEEL	2				
178	36380675430	DISK	2				
179	59172034000	BOLT (HUB)	24		3/4-16UNF		
180	59172035000	NUT (HUB)	24		3/4-16UNF		
181	59172071060	BEARING,ROLLER	2				
182	36380105850	BEARING,TAPER ROLLER	2				
183	90101718050	BOLT	44		M18X50		
184	36380675460	BRAKE,CALIPER (1,4-PISTONS)	2				
185	36380675470	BRAKE,CALIPER (2,4-PISTONS)	2				
186	36380675480	CONNECTOR (WITH O-RING)	4				
189	36380215350	COVER	4				
190	59172077020	O-RING	2				
191	90103720110	BOLT	16		M20X110		
192	90303071201	WASHER,PLAIN	16		12		
193	59152201000	STOPPER	4				
194	80530000064	BEARING,SPHERICAL	2				
201	90191520130	BOLT	4		M20X130		
202	90303072001	WASHER,PLAIN	4		20		
203	36380105080	BOLT (LONG)	8				
204	36380105090	BOLT (SHORT)	8				
231	36380675490	O-RING	4				
241	36380065880	VALVE (BREEDER)	4				
242	36380675540	BOLT (SELF LOCK)	8				
243	36380675550	BOLT (SELF LOCK)	8				

TR-350M-1-00203 5 BOOM + JIB(PT),2M2D

Pos No.	Parts No	Parts Name	Qty	Unit	Technical Data	Serial No (Start)	Serial No (End)
1	36680798010	TACHOGRAPH ASSY	1				
2	36680798020	CHART SET (WITH KEY)	1				
11	36682555010	KEY SET (OPEN/CLOSE,NO.1,NO.2)	2				
30	36680790000	TACHOGRAPH (YAZAKI 24V)	1				

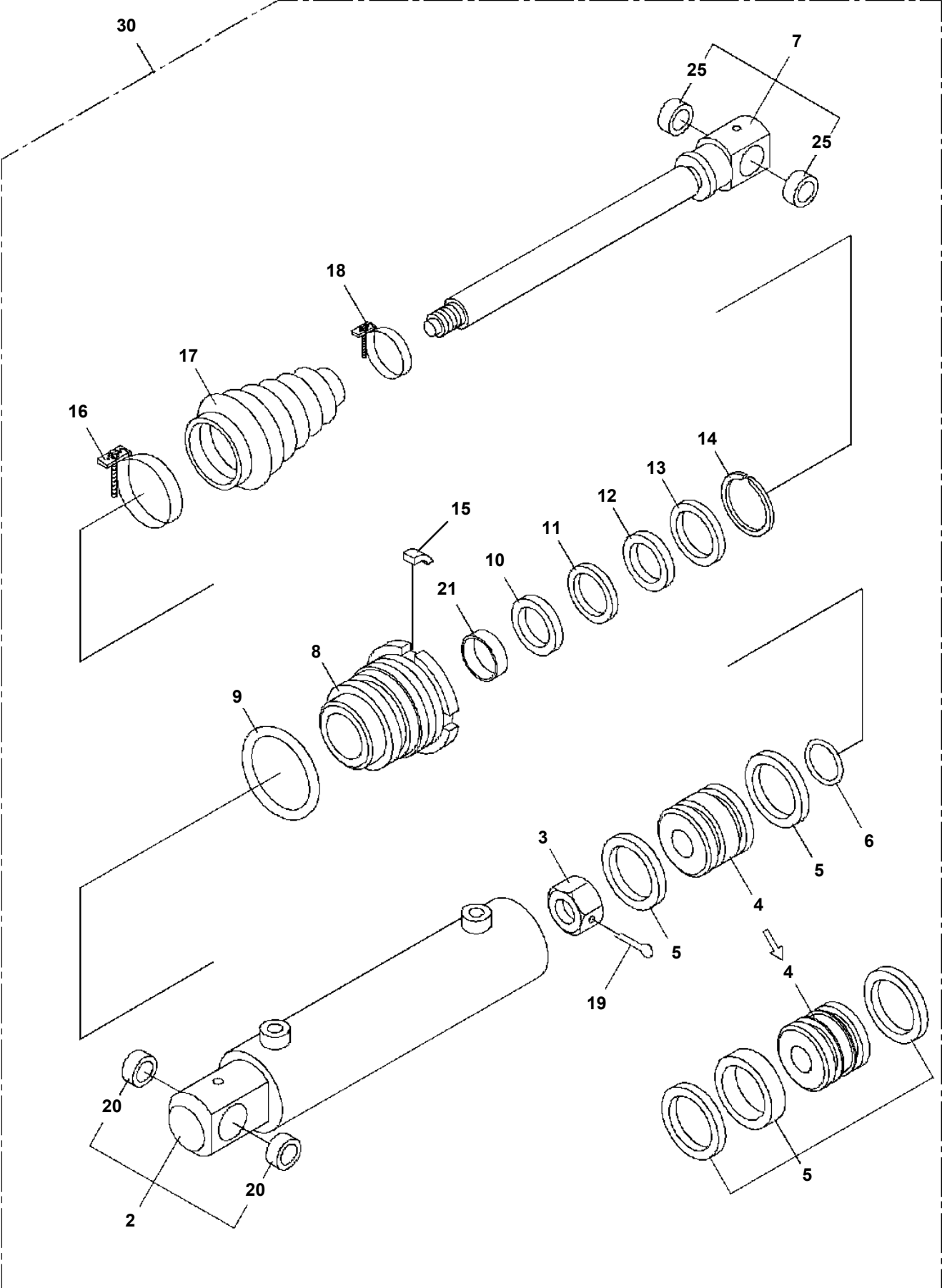
TR-350M-1-00203 5 BOOM + JIB(PT),2M2D

Pos No.	Parts No	Parts Name	Qty	Unit	Technical Data	Serial No (Start)	Serial No (End)	Remarks	Pages
1	37003900480	WHEEL,TIRE	1						

TR-350M-1-00203 5 BOOM + JIB(PT),2M2D

Pos No.	Parts No	Parts Name	Qty	Unit	Technical Data	Serial No (Start)	Serial No (End)	Remark
1	37000505240	PLATE	1					
2	36610540000	VALVE,PRIORITY	1					
3	90101208075	BOLT	2		M8X75			
4	90302040801	WASHER,SPRING	2		8			
5	90131506035	BOLT,HEXAGON SOCKET	4		M6X35			
6	36641840000	VALVE,SOLENOID	1					
7	34720080201	FITTING,FLANGE	1					
8	90101210020	BOLT	2		M10X20			
9	90302041001	WASHER,SPRING	2		10			
10	31200070380	PLATE	1					
11	37000707510	CLAMP ASSY	1					
12	37000708920	CLAMP ASSY	1					
13	37000708120	CLAMP ASSY	2			505545	505544	
	37000708120	CLAMP ASSY	1					
14	37000702310	CLAMP ASSY	1					
15	37000300740	SLEEVE	1		18-12			
16	37002423100	HOSE	1		L=900			
17	37002423090	HOSE	1		L=825			
18	37002412530	HOSE	1		L=375			
19	37002421810	HOSE	1		L=730			
20	37002423080	HOSE	1		L=730			
21	81408000160	PIPE,STEEL	1	M	12X1.4T			
22	81408000241	PIPE,STEEL	1	M	18X1.9T			
23	81408000241	PIPE,STEEL	2	M	18X1.9T			
24	81408000290	PIPE,STEEL	1	M	22X2.5T			
25	81408000290	PIPE,STEEL	1	M	22X2.5T			
26	81408000241	PIPE,STEEL	1	M	18X1.9T			
27	81408000241	PIPE,STEEL	1	M	18X1.9T			
28	81408000160	PIPE,STEEL	1	M	12X1.4T			
29	81408000241	PIPE,STEEL	1	M	18X1.9T			
30	81408000241	PIPE,STEEL	1	M	18X1.9T			
31	80430470850	JOINT	2					
32	37000900110	JOINT	1					
33	37000900120	JOINT	1					
34	80320030140	FITTING,ELBOW	1		KLE18-040N			
35	37000910080	JOINT	1					
36	91000590800	O-RING	1		AS568-908			
37	37000910070	JOINT	2					
38	91000590400	O-RING	2		AS568-904			
39	37000910090	JOINT	1					
40	91000591200	O-RING	1		AS568-912			
41	37000902920	JOINT	2					
42	37000902910	JOINT	2					
43	37000910240	JOINT	1					
44	36670610000	FILTER,OIL	1					
45	80315060060	JOINT,BUSHING	1					
46	80302010240	FITTING	1					
47	80302010280	FITTING	1		KCT22-060N			
48	80303010160	FITTING,ELBOW	1		KLA18-000N			
49	80330000200	FITTING,TEE	1		KTZ-00004N			
50	80302010140	FITTING	2		C717KCT12-020N			
51	80302010230	FITTING	1		KCT18-030N			
52	80303030240	FITTING,ELBOW	1					
53	80303040120	FITTING,ELBOW	1					
54	80303030160	FITTING,ELBOW	1		KLN12-030N			
55	34340001220	TUBE,SPIRAL	3	M	SE-24			
56	80316030040	PLUG	1		PT1/4			
57	37000511360	PLATE	1			505545		
58	37000711010	CLAMP ASSY	1		18X1	505545		

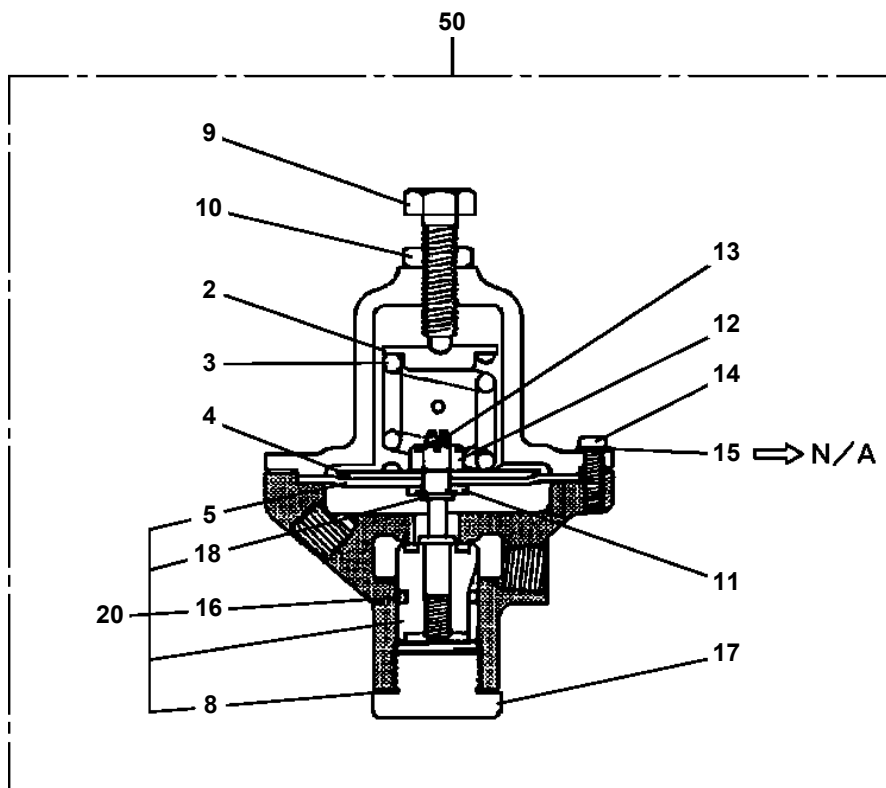
TR-350M-1-00203 5 BOOM + JIB(PT),2M2D
PS1360023-00 CYLINDER,STEERING



TR-350M-1-00203 5 BOOM + JIB(PT),2M2D

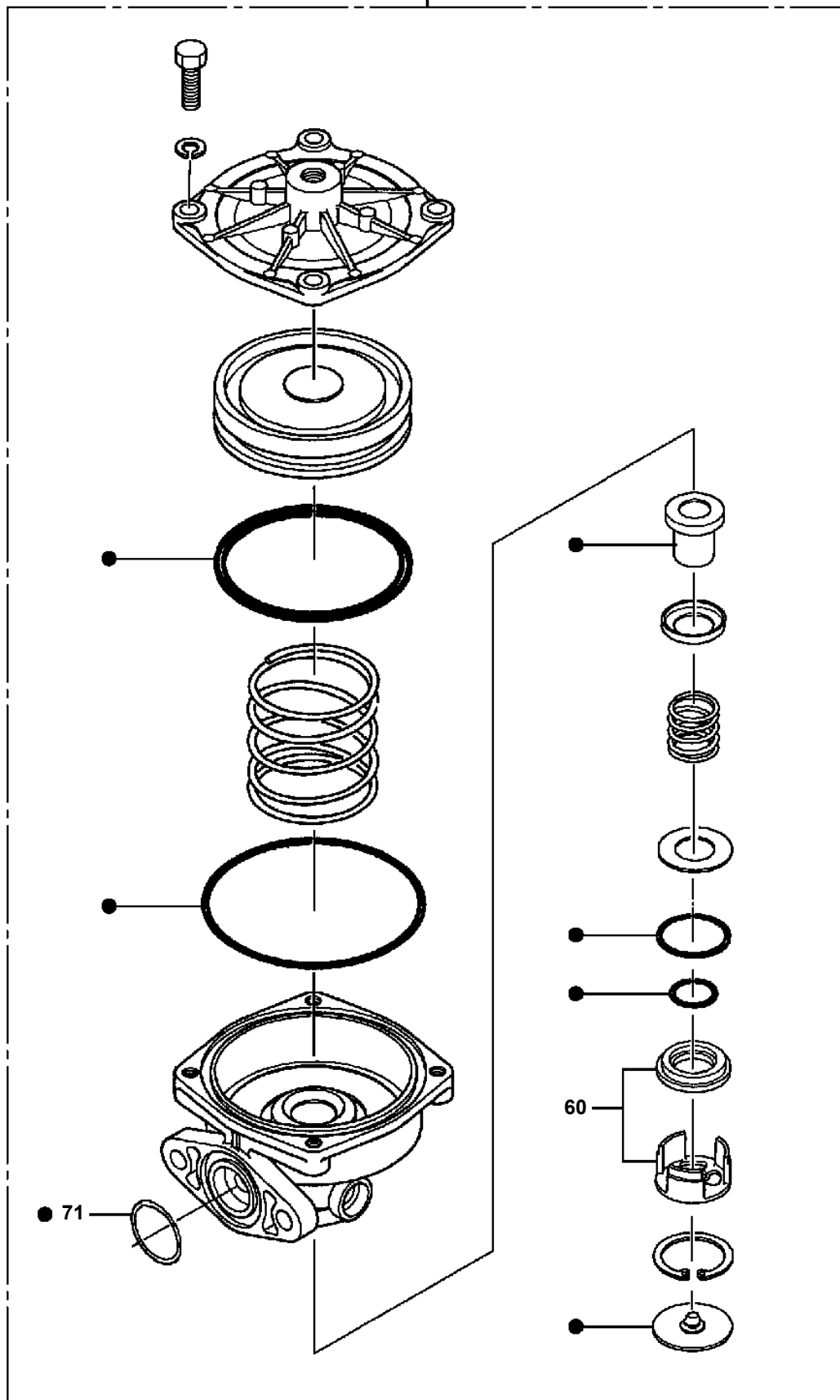
Pos No.	Parts No	Parts Name	Qty	Unit	Technical Data	Serial No (Start)	Serial No
1	90101210025	BOLT	8		M10X25		
2	90201201000	NUT	8		M10		
3	90302041001	WASHER,SPRING	18		10		
4	90269201000	NUT	4		M10		
5	90303071001	WASHER,PLAIN	13		10		
6	34920672000	SUPPORT	1				
7	34920672100	SUPPORT	1				
9	37002421080	HOSE,BRAKE	2		L=500		505518
	37002437540	HOSE,BRAKE	2		L=505	505519	
10	37002403910	HOSE,AIR	1		L=600		
11	37000904010	FITTING	3		S,M12-M12		
12	37000904810	NUT,FLARE	18		M12		
	37000904810	NUT,FLARE	8		M12		505392
	37000904810	NUT,FLARE	4		M12		505550
	37000904810	NUT,FLARE	8		M12	505393	
	37000904810	NUT,FLARE	2		M12	505551	
13	37000706180	CLAMP ASSY	1				
14	34920678010	PIPE ASSY	1				
15	90209201000	NUT	6		M10		
16	37000901290	FITTING,ELBOW	2		L,R1/4-6.35		
17	34920678020	PIPE ASSY	1				
18	37000302720	SLEEVE	8		12-6.35		
19	34920678030	PIPE ASSY	1				
20	34920678040	PIPE ASSY	1				
21	37001601440	NUT	8		M12X1.0		505550
	37001601440	NUT	7		M12X1.0	505551	
22	90304111201	WASHER,TOOTH	8		12		505550
	90304111201	WASHER,TOOTH	7		12	505551	
23	37000500290	PLATE	1				
25	37000500300	PLATE	1				
26	36100880000	RESERVOIR,OIL	2				
27	34920672200	SUPPORT	1				
28	37000904030	FITTING	1		S,M16-M16		
29	37000904830	NUT,FLARE	18		M16		
30	34920678200	PIPE ASSY	1				
31	34920678210	PIPE ASSY	1				
32	34920678050	PIPE ASSY	1				
33	34920618170	PIPE ASSY	1				505550
	34920678310	PIPE ASSY	1			505551	
34	37002421990	HOSE,AIR	1		L=375		505550
	37002437440	HOSE,AIR	1		L=680	505551	
35	34920618450	PIPE ASSY	1				505550
36	37000903910	FITTING	1		S,R1/8-M12		505550
	37000915580	JOINT	1			505551	
37	82100002002	CLAMP	5		WR6		505550
	82100002002	CLAMP	4		WR6	505551	
38	37000904230	FITTING,ELBOW	8		L,R1/4-M16		
39	36870020000	SWITCH,PRESSURE (AIR/STOP LAMP)	2				
40	37000903930	FITTING	5		S,R1/4-M16		
41	59451300020	SWITCH,PRESSURE	2				505490
	36720040000	SWITCH,PRESSURE (LOW AIR)	2			505491	
42	42340011070	JOINT	2		T,PT1/4-PT1/4-PT1/4		
43	36621760000	VALVE,SHUTTLE	2				
44	90101208025	BOLT	2		M8X25		
45	90201200800	NUT	1		M8		
46	90302040801	WASHER,SPRING	7		8		505392
	90302040801	WASHER,SPRING	15		8	505393	505550
	90302040801	WASHER,SPRING	14		8	505551	
47	90303070801	WASHER,PLAIN	8		8		505392
	90303070801	WASHER,PLAIN	16		8	505393	505550
	90303070801	WASHER,PLAIN	13		8	505551	
48	37000914650	JOINT	1		T,PT1/4-PT1/4-PT1/4		
49	37000913760	JOINT	1				

TR-350M-1-00203 5 BOOM + JIB(PT),2M2D
PT1280001-02 VALVE,REDUCING



TR-350M-1-00203 5 BOOM + JIB(PT),2M2D
PT1420011-07 BOOSTER (BRAKE)

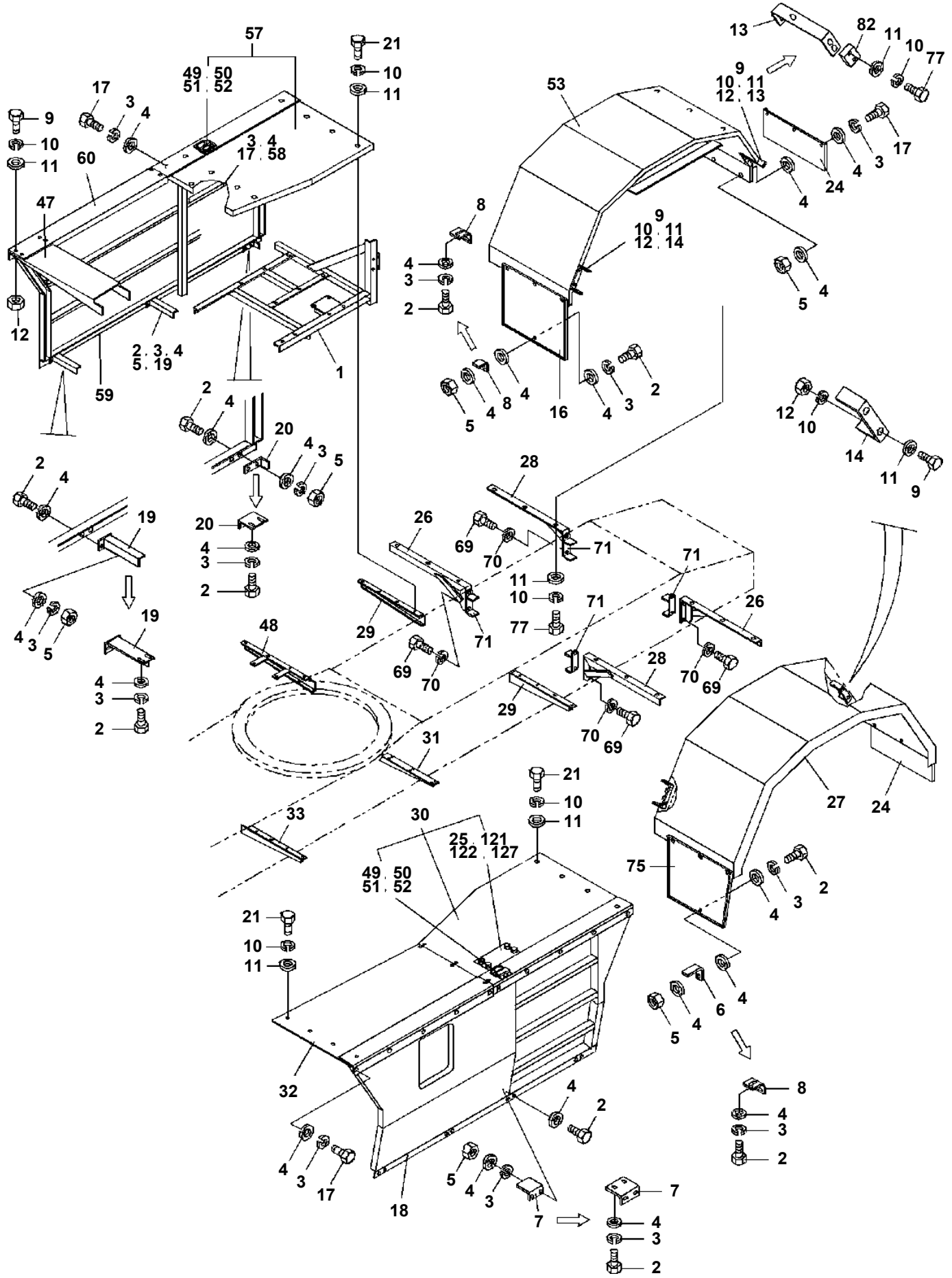
33



TR-350M-1-00203 5 BOOM + JIB(PT),2M2D

Pos No.	Parts No	Parts Name	Qty	Unit	Technical Data	Serial No (Start)	Serial No (End)	Remarks
2	36061211000	CYLINDER ASSY	1					
3	36060383000	PLATE	1					
5	91301210500	BEARING,PLAIN	2					
6	91684110500	PACKING	2					
7	36061202001	PISTON	1					
8	91431209001	RING,BACKUP	1					
9	91002805500	O-RING	1		1B P55			
10	91411005500	RING,BACKUP	1					
11	91002809500	O-RING	1					
12	91411009500	RING,BACKUP	1					
13	91251100550	RING,DAMPER	1		DR-55			
14	91694005500	PACKING	1					
15	91410205501	RING,BACKUP	1					
16	36061203000	COVER,ROD	1					
17	91660005500	SEAL,DUST	1					
18	80622000550	RING,RITAINING	1		SP55			
19	36061204000	ROD	1					
20	80136363071	PIN,SPLIT	1		6.3X71			
31	80530000064	BEARING,SPHERICAL	1					
32	59152201000	STOPPER	2					
50	36061210000	CYLINDER,SPRING LOCK	1					

TR-350M-1-00203 5 BOOM + JIB(PT),2M2D
PX1030085-03 FENDER



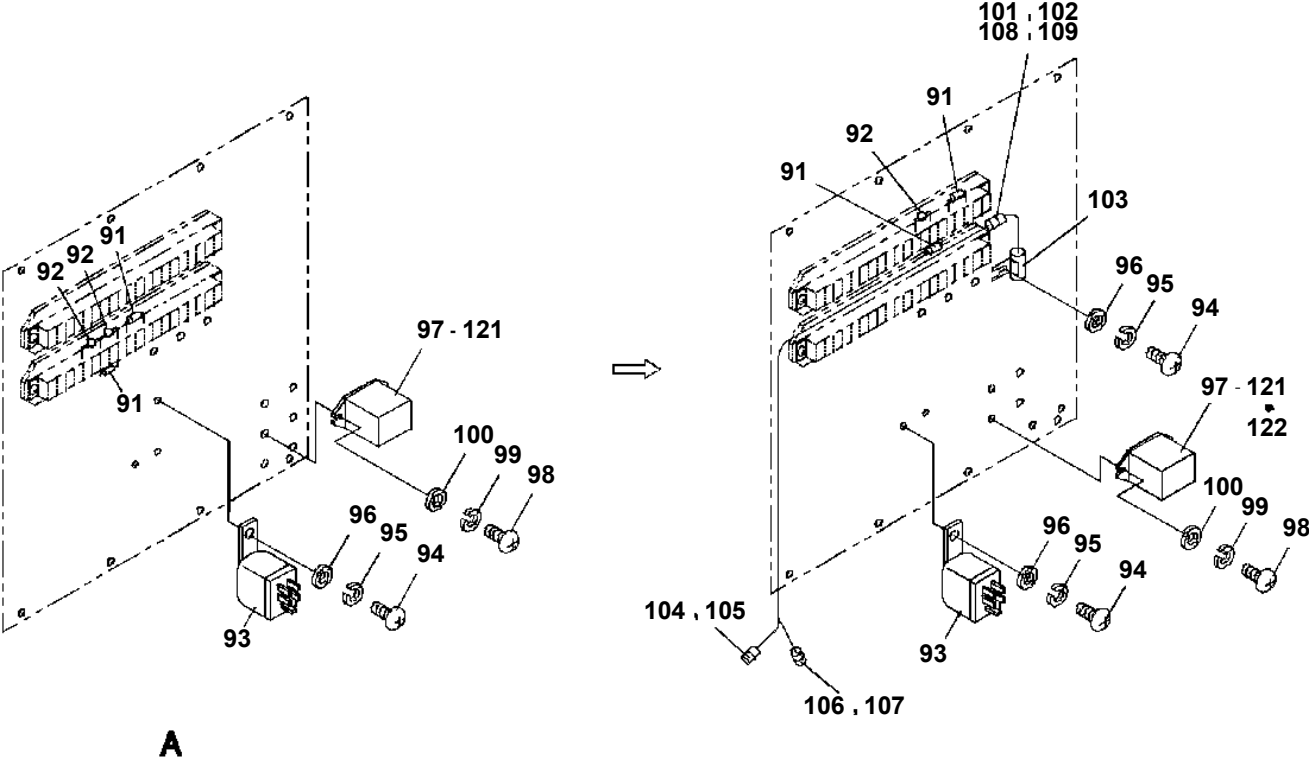
TR-350M-1-00203 5 BOOM + JIB(PT),2M2D

Pos No.	Parts No	Parts Name	Qty	Unit	Technical Data	Serial No (Start)	Serial No (End)	Remarks
15	34730930080	HINGE	2					
17	34730930100	CATCH	1					
50	(*****)	ROOM,ENGINE (OPTION)	1					

TR-350M-1-00203 5 BOOM + JIB(PT),2M2D

Pos No.	Parts No	Parts Name	Qty	Unit	Technical Data	Serial No (Start)	Serial No (End)	Remarks	Pages
1	34760700100	SUPPORT	1						
2	90101212030	BOLT	4		M12X30				
3	90302041201	WASHER,SPRING	4		12				
4	59424584000	PLATE	1						
10	34760708010	SUPPORT ASSY	1						

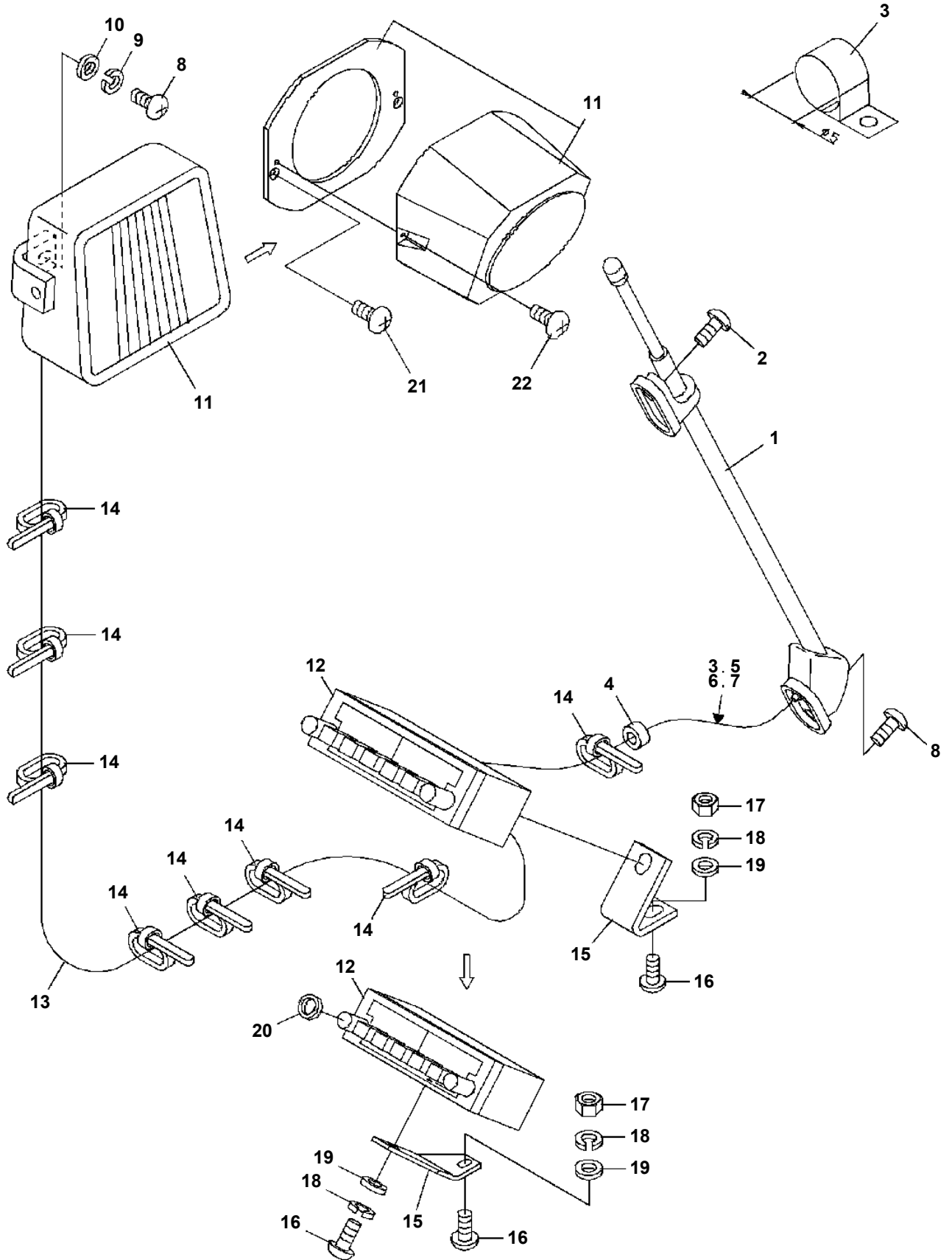
TR-350M-1-00203 5 BOOM + JIB(PT),2M2D
PY110024-04 HEATER SYSTEM



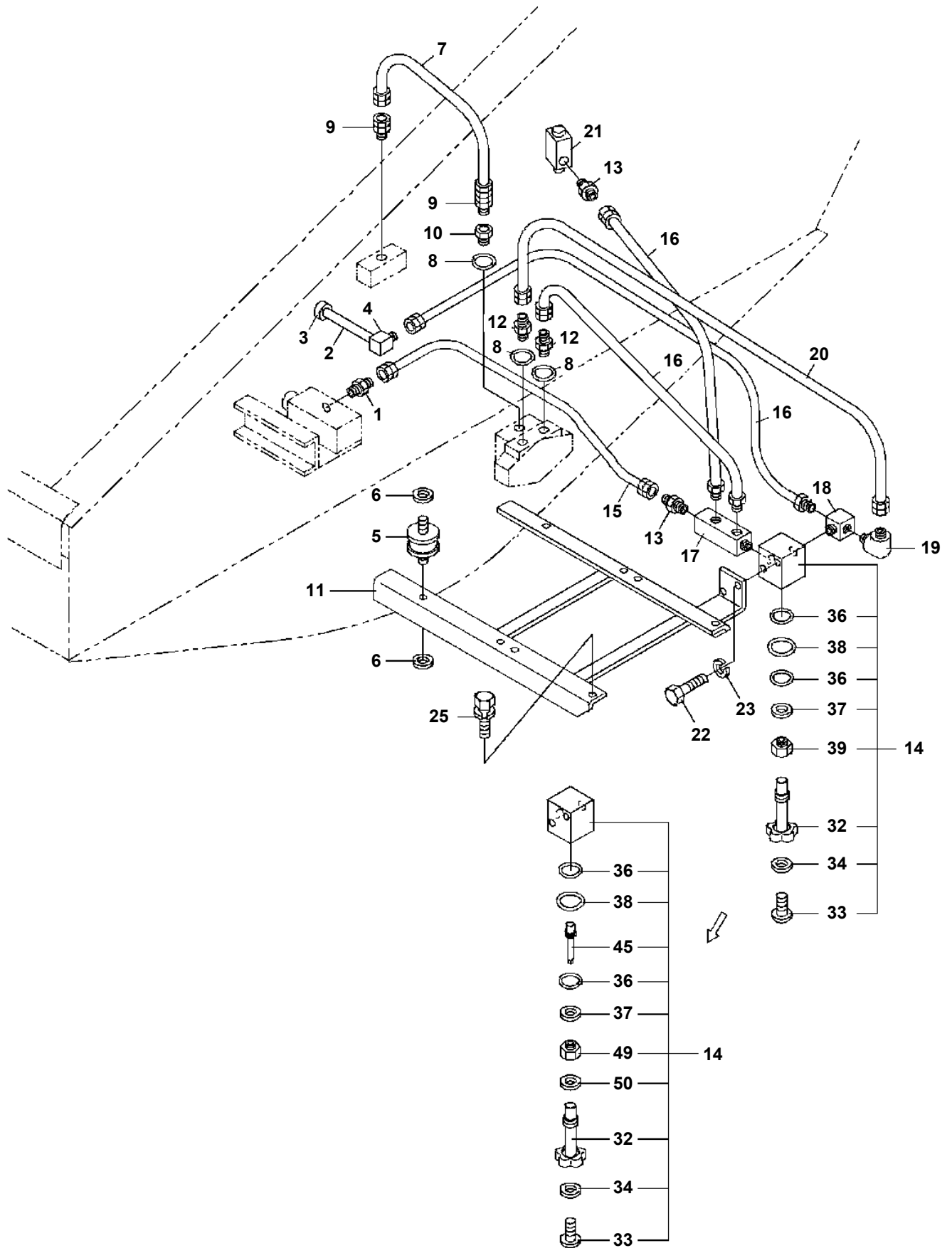
TR-350M-1-00203 5 BOOM + JIB(PT),2M2D

Pos No.	Parts No	Parts Name	Qty	Unit	Technical Data	Serial No (Start)	Serial No (End)
2	90101208012	BOLT	2		M8X12		
3	90302040801	WASHER,SPRING	2		8		
4	82100002018	CLAMP	2		WR35		
5	37000507090	PLATE	1				
6	37000508770	SUPPORT	1				
7	80400160105	FITTING	2		20368-U1/2X3/8		
8	91002802900	O-RING	1		1B P29		
9	80303030321	FITTING,ELBOW	1		KLN28-080N		
10	34473511500	SUPPORT	1				
11	80320010221	FITTING	1		KUD28		
13	81408000341	PIPE,STEEL	1	M	28X3.1T		
14	80303130321	FITTING,ELBOW	2		KLO28-080E		
15	81408000341	PIPE,STEEL	1	M	28X3.1T		
16	36642270000	VALVE,SOLENOID	1				
17	90101210100	BOLT	4		M10X100		
18	90302041001	WASHER,SPRING	9		10		
19	80302090281	FITTING	2		KCO22-060N		
20	91002802400	O-RING	2		1B P24		
21	80316030060	PLUG	1		PT3/8		
22	80316030100	PLUG	2		PT3/4		
23	80302010280	FITTING	2		KCT22-060N		
24	34471171800	JOINT	1				
25	90101210025	BOLT	4		M10X25		
26	90201201000	NUT	5		M10		
27	89640102000	HOSE	1		880-NFK,2M		
28	82100002008	CLAMP	3		WR12		
29	80400160135	JOINT	1				
30	81408000290	PIPE,STEEL	1	M	22X2.5T		
31	81408000290	PIPE,STEEL	1	M	22X2.5T		
32	37000601030	CLAMP	1				
33	37000601330	CUSHION	2				
34	90101210070	BOLT	1		M10X70		
36	37002426820	HOSE	1		L=1800		
41	34471292100	PLATE	1				
42	34470092500	SWITCH ASSY	1				
51	34470092300	PLATE,NAME (ELEVATINGTELESCOP)	1				
52	34470102100	PLATE,NAME (WINCH)	1				
54	34350002100	CAP	2				
61	80400160126	FITTING,TEE	1		20364-U1/2		
71	91002802900	O-RING	2		1B P29		

**TR-350M-1-00203 5 BOOM + JIB(PT),2M2D
PY1350005-02 RADIO INSTALLATION**



**TR-350M-1-00203 5 BOOM + JIB(PT),2M2D
 PY1380016-02 COMPRESSOR CONDENSER ASSY**



TR-350M-1-00203 5 BOOM + JIB(PT),2M2D

Pos No.	Parts No	Parts Name	Qty	Unit	Technical Data	Serial No (Start)	Serial No (End)	Remarks	Page
1	90101206010	BOLT	8		M6X1.0				
2	82440700230	PLATE,REFLECTOR	2						
3	90240200600	NUT,CAP	8		M6				
4	90303070601	WASHER,PLAIN	8		6				

TR-350M-1-00203 5 BOOM + JIB(PT),2M2D

Pos No.	Parts No	Parts Name	Qty	Unit	Technical Data	Serial No (Start)	Serial No (End)
1	34473614200	SWITCH ASSY (WITH CONNECTOR)	1				
2	34473614100	PLATE,NAME	1				
12	34473604300	SUPPORT	1				
13	82100002359	SWITCH,LIMIT	1				
14	90730006120	SCREW,SET	1		M6X12		
15	34473604400	CAM	1				

CLICK HERE TO **DOWNLOAD** THE COMPLETE MANUAL

- Thank you very much for reading the preview of the manual.
- You can download the complete manual from: www.heydownloads.com by clicking the link below



- Please note: If there is no response to CLICKING the link, please download this PDF first and then click on it.

CLICK HERE TO **DOWNLOAD** THE COMPLETE MANUAL