

TR-250M-5-00105 4 BOOM + JIB, FLOW CONT., 3M3D

PB1000226-02 HYDRAULIC PRESSURE GENERATING SYSTEM
PC1000171-00 OUTRIGGER SYSTEM
PD1000211-00 SWING SYSTEM
PE1000209-00 ELEVATING SYSTEM
PF1000197-05 WINCH SYSTEM
PG1000207-02 TELESCOPING SYSTEM
PH1000194-04 SAFETY DEVICES
PK1000219-03 FRAME
PL1000215-04 CONTROL DEVICES
PM1000032-01 LUBRICATION DEVICES
PN1000181-04 ELECTRIC EQUIPMENT
PO1000114-01 INDICATION PLATES
PQ1000064-00 DRIVING POWER GENERATING SYSTEM
PR1000040-02 DRIVING POWER TRANSMISSION SYSTEM
PS1000057-02 STEERING SYSTEM
PT1000046-03 BRAKE SYSTEM
PU1000039-00 SUSPENSION
PW1000097-02 ACCESSORIES & TOOLS
PX1000223-00 MOUNTING PARTS
PY1000192-05 OPTIONS
ASSEMBLY

CLICK HERE TO **DOWNLOAD** THE COMPLETE MANUAL

- Thank you very much for reading the preview of the manual.
- You can download the complete manual from: www.heydownloads.com by clicking the link below



- Please note: If there is no response to CLICKING the link, please download this PDF first and then click on it.

CLICK HERE TO **DOWNLOAD** THE COMPLETE MANUAL

TR-250M-5-00105 4 BOOM + JIB,FLOW CONT.,3M3D

Pos No.	Parts No	Parts Name	Qty	Unit	Technical Data	Serial No (Start)	Serial No (End)
1	36071870000	WINCH (MAIN)	1				
2	36071880000	WINCH (AUX.)	1				
3	36071950000	WINCH (3RD)	1				
4	36310150000	CLUTCH,WINCH	1				
5	36310140000	CLUTCH,WINCH	1				
6	36310190000	CLUTCH,WINCH (3RD)	1				
7	36093330000	HOOK (SHEAVE 4 PC'S)	1				
8	(*****)	HOOK (AUXILIARY)	1				
9	36093350000	HOOK (SHEAVE 2PC'S)	1				
10	36092880000	HOOK (SHEAVE 1 PC,OPTION)	1				
11	37001800060	ROPE,WIRE (TESAC)	1				
	37001805280	ROPE,WIRE (KISWIRE)	1			FB1305	
12	37001803490	ROPE,WIRE	1				519463
	37001804000	ROPE,WIRE	1			519464	519463
13	19417912000	ROPE,WIRE (TESAC)	1				
14	(*****)	SOCKET,ROPE	1				
15	(*****)	SOCKET,ROPE (SEIZING)	1				
16	(*****)	SOCKET,ROPE	1				
17	(*****)	OPERATION SYSTEM, WINCH BRAKE	1				
18	(*****)	OPE.ASSY, WINCH BRAKE (3RD WINCH)	1				
19	34310643000	BAND,WINCH BRAKE (MAIN)	1				
20	34310583000	BAND,WINCH BRAKE	1				
21	34311051000	BAND,WINCH BRAKE (NO.3)	1				
22	(*****)	OPERATION SYSTEM, DRUM LOCK	1				
23	(*****)	OPERATION SYSTEM, CLUTCH	1				
24	(*****)	DETECTOR,DISORDERLY WIND (MAIN)	1				
25	(*****)	DETECTOR,DISORDERLY WIND (AUX.)	1				
26	(*****)	DETECTOR,DISORDERLY WIND (3RD WINCH)	1				
27	(*****)	PIPING,WINCH	1				
28	(*****)	PIPING,WINCH (3RD WINCH)	1				
29	(*****)	PIPING,WINCH BRAKE	1				
30	(*****)	PIPING,WINCH BRAKE (3RD WINCH)	1				
31	(*****)	DETECTOR,DRUM ROTATION (AUX.)	1				
32	(*****)	DETECTOR,DRUM ROTATION (MAIN)	1				
33	36634680000	VALVE,CLUTCH	1				
35	(*****)	MOUNT,WINCH	1				
36	(*****)	MOUNT,WINCH (3RD)	1				
37	36661940000	MOTOR,HYDRAULIC (MAIN)	1				
38	36661950000	MOTOR,HYDRAULIC	1				
39	36661680000	MOTOR,HYDRAULIC (SANWA)	1				
40	36661840000	MOTOR,HYDRAULIC (SANWA)	1				
41	36061550000	CYLINDER,MASTER	3				
42	36100250000	RESERVOIR,OIL	1				
43	36601070000	VALVE,REDUCING	1				FB064
44	36642930000	VALVE,SOLENOID	2				
45	36643940000	VALVE,HYDRAULIC	3				
46	36623540000	VALVE,CHECK	1			FB1328	
47	36603180000	VALVE,COUNTERBALANCE (SANWA)	1				

TR-250M-5-00105 4 BOOM + JIB, FLOW CONT., 3M3D

Pos No.	Parts No	Parts Name	Qty	Unit	Technical Data	Serial No (Start)	Serial No (End)	Rem
1	(*****)	CENTRAL LUBRICATION SYSTEM	1					

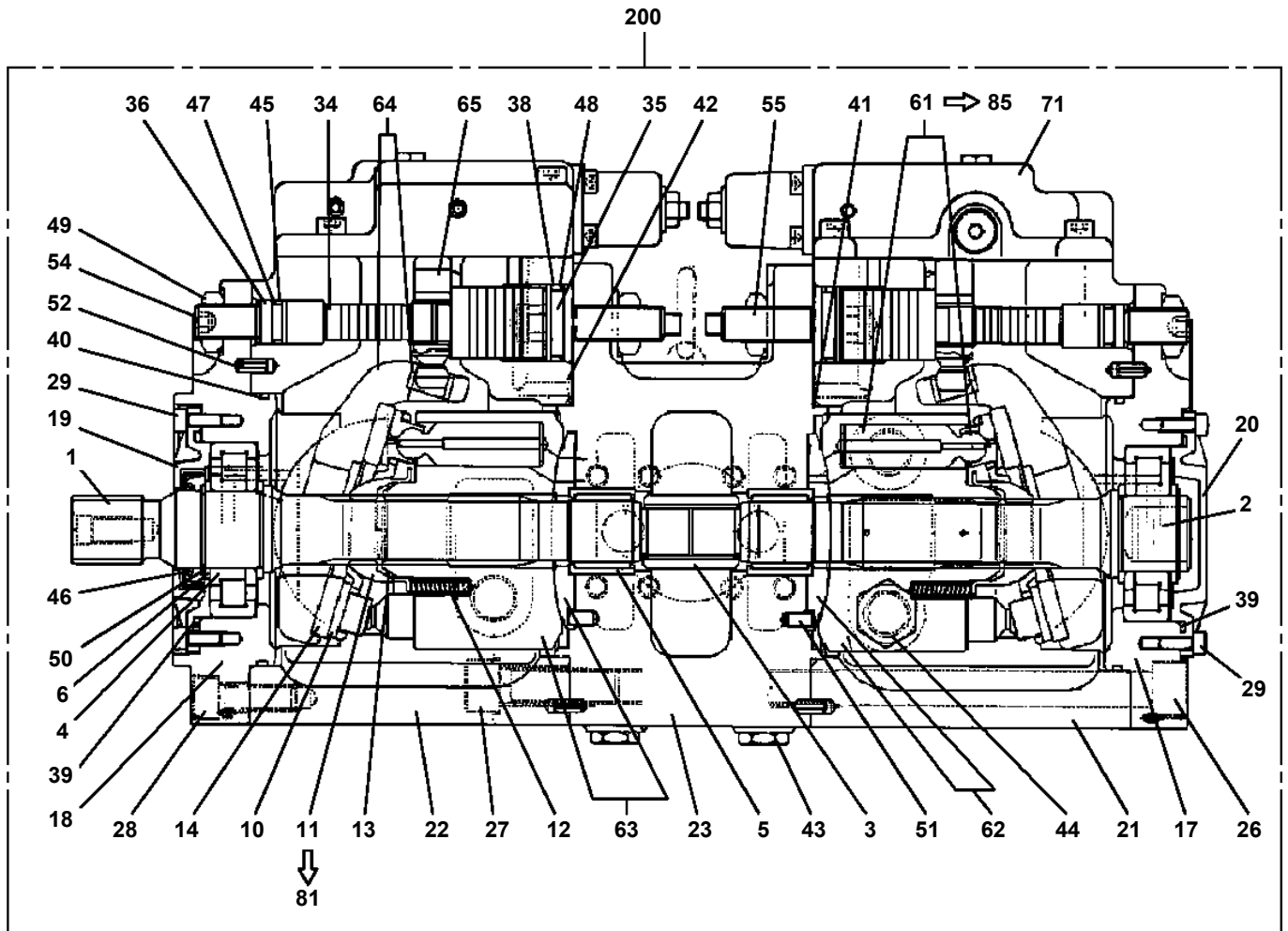
TR-250M-5-00105 4 BOOM + JIB,FLOW CONT.,3M3D

Pos No.	Parts No	Parts Name	Qty	Unit	Technical Data	Serial No (Start)	Serial No (End)
1	(*****)	OPE.ASSY,STEERING	1				
2	34720911100	WHEEL,STEERING	1				
3	34720911300	SHAFT,STEERING	1				
4	(*****)	PIPING,STEERING (LOWER)	1				
5	(*****)	PIPING,STEERING (CAB)	1				
6	(*****)	PIPING,STEERING (UPPER)	1				
7	36631640000	ORBITROL	1				
8	(*****)	CYLINDER,STEERING INSTALLATION	1				
9	(*****)	CYLINDER,STEERING	2				
10	(*****)	CYLINDER,STEERING	2				
11	36610540000	VALVE,PRIORITY	1				
12	36642760000	VALVE,SOLENOID	2				
13	36643430000	VALVE,SOLENOID	1				
14	36643460000	VALVE,SOLENOID	1				
15	36643220000	VALVE,SOLENOID	1				
16	36641610000	VALVE,HYDRAULIC	1				
17	36623370001	VALVE,CHECK	2				
18	36623380001	VALVE,CHECK	2				
19	36610860000	VALVE,FLOW CONTROL	1				

TR-250M-5-00105 4 BOOM + JIB,FLOW CONT.,3M3D

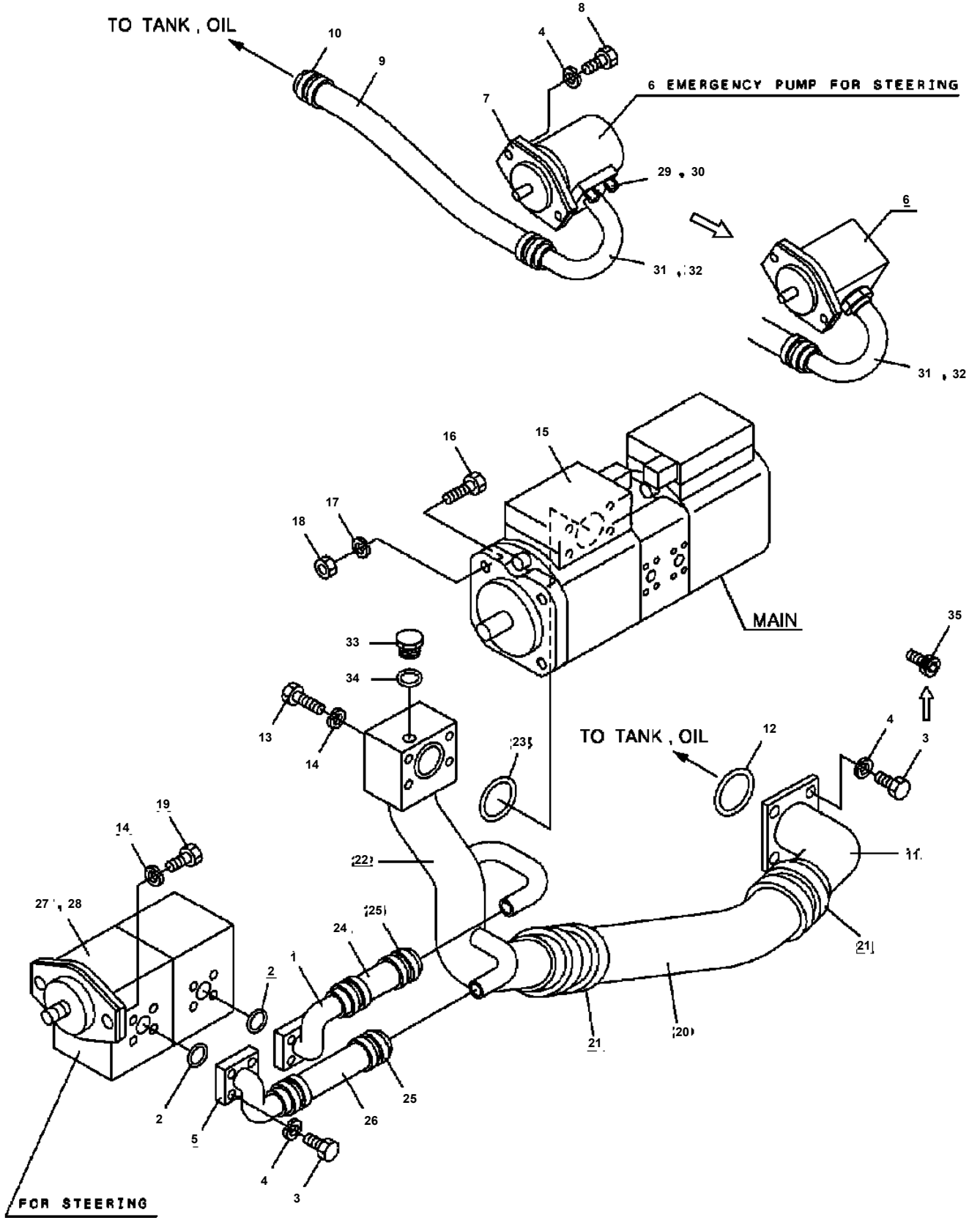
Pos No.	Parts No	Parts Name	Qty	Unit	Technical Data	Serial No (Start)	S
1	(*****)	SINGLE TOP	1				
2	(*****)	HEATER SYSTEM (DISEL)	1				
3	(*****)	HEATER	1				
4	(*****)	PIPING,OUTLET (2-PORT)	1				
5	(*****)	PIPING,OUTLET (1-PORT,ELE.&TEL)	1				
6	(*****)	PIPING,OUTLET (1-PORT,WINCH)	1				
7	(*****)	PIPING,CLAMSHELL	1				
8	36690121000	COOLER,OIL	1				
9	(*****)	COOLER,OIL	1				
10	(*****)	LONG PIN INSTALLATION	1				
11	(*****)	RADIO INSTALLATION	1				
12	(*****)	FAN INSTALLATION	1				
13	36320192030	EVAPORATOR ASSY	1				5
	36320252030	EVAPORATOR	1			519793	F
	36320362030	EVAPORATOR	1			FB0551	
14	36320202010	CONDENSERASSY	1				5
	36320252010	CONDENSER ASSY	1			519793	F
	36320362010	CONDENSER ASSY	1			FB0551	
15	36320202020	COMPRESSOR ASSY	1				F
	36320362040	COMPRESSOR ASSY	1			FB0551	
16	36320205010	CONDENSER	1				5
17	36320195070	COMPRESSOR (WITH CLUTCH)	1				F
	36320365040	COMPRESSOR (WITH CLUTCH)	1			FB0551	
18	(*****)	INFLATOR,AIR	1				
19	(*****)	REFLECTOR	1			519450	
20	(*****)	PIPING,SERIES	1				
21	(*****)	ELECTRICAL PARTS, CLAMSHELL	1				
22	(*****)	ELECTRICAL PARTS, SERIES	1				
23	(*****)	ELECTRICAL PARTS, CLAMSHELL & SERIES	1				
24	(*****)	PIPING,SIMULTANEOUS OPERATION	1				
25	(*****)	ELECTRICAL PARTS,SIMULTANEOUS OPERATION	1				
26	(*****)	ELECTRICAL PARTS,SIMULTANEOUS & SERIES	1				
27	(*****)	AIR CONDITIONER SYSTEM	1				5
	(*****)	AIR CONDITIONER SYSTEM	1			519793	F
	(*****)	AIR CONDITIONER SYSTEM	1			FB0551	
28	(*****)	AIR CONDITIONER SYSTEM (FAN)	1				5
	(*****)	AIR CONDITIONER SYSTEM (FAN)	1			519793	
29	(*****)	EVAPORATOR INSTALLATION,AIR CONDITIONER	1				5
	(*****)	EVAPORATOR INSTALLATION,AIR CONDITIONER	1			519428	5
	(*****)	EVAPORATOR INSTALLATION,AIR CONDITIONER	1			519793	
30	(*****)	PIPING,AIR CONDITIONER	1				5
	(*****)	PIPING,AIR CONDITIONER	1			519793	
31	36320200000	AIR CONDITIONER	1				5
	36320250000	AIR CONDITIONER	1			519793	F
	36320360000	AIR CONDITIONER	1			FB0551	
32	34477500000	TABLE,LUNCH	1				
33	36320192130	PANNEL,CONTROL (AIR CONDITIONER)	1				5
	36320252130	PANNEL,CONTROL (AIR CONDITIONER)	1			519793	F
	36320362130	PANNEL,CONTROL (AIR CONDITIONER)	1			FB0551	
34	36662010000	MOTOR,HYDRAULIC	1				
35	36662100000	MOTOR,HYDRAULIC (WITH PUMP)	1				
36	36603620000	VALVE,RELIEF	1				F
37	36641130000	VALVE,SOLENOID	1				
38	36642270000	VALVE,SOLENOID	1				
39	36642270000	VALVE,SOLENOID	1				
40	36642930000	VALVE,SOLENOID	3				
41	36640070000	VALVE,SOLENOID	1				F
	36624100000	VALVE,SOLENOID	1			FB0344	F
	36624100001	VALVE,SOLENOID	1			FB0545	
42	36643320000	VALVE,SOLENOID	1				F
43	36622930000	VALVE,CHECK	1				F
44	36622920000	VALVE,PILOT CHECK	1				F

TR-250M-5-00105 4 BOOM + JIB, FLOW CONT., 3M3D
 PB1100080-05 PUMP, HYDRAULIC

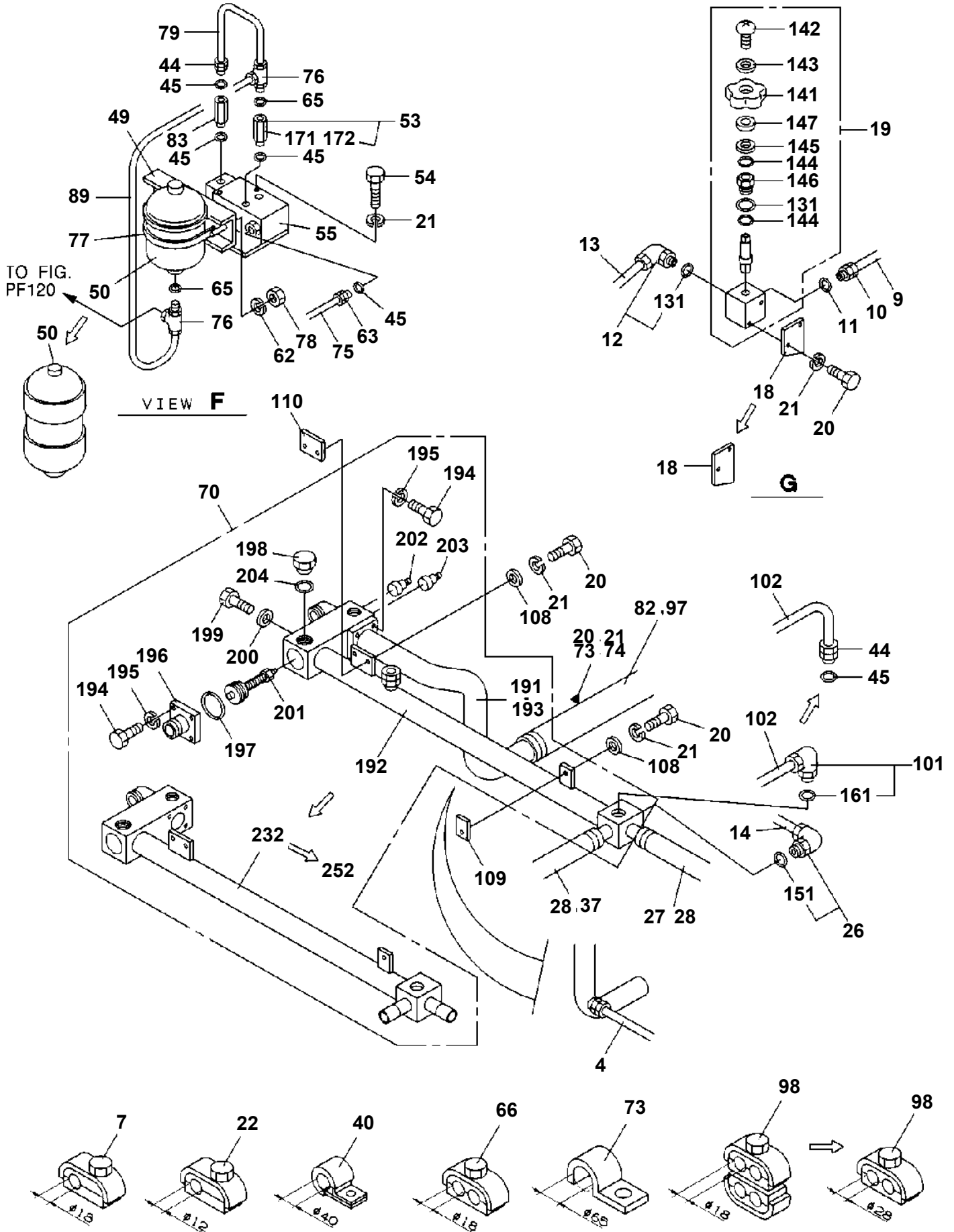


展開圖有
 ILLUSTRATED BREAKDOWN NO. 71

**TR-250M-5-00105 4 BOOM + JIB, FLOW CONT., 3M3D
PB1200086-05 PIPING, SUCTION**



**TR-250M-5-00105 4 BOOM + JIB, FLOW CONT., 3M3D
PB1260108-04 PIPING, UPPER RETURN**



TR-250M-5-00105 4 BOOM + JIB, FLOW CONT., 3M3D

Pos No.	Parts No	Parts Name	Qty	Unit	Technical Data	Serial No (Start)	Serial No (End)	Remarks	Page
1	80302090081	FITTING	5		KCO80-020N				
2	91002801100	O-RING	7		1B P11		FB0256		
	91002801100	O-RING	6		1B P11	FB0257			
3	81408000081	PIPE, STEEL	1	M	8X1.2T				
5	81408000081	PIPE, STEEL	1	M	8X1.2T				
6	80302090161	FITTING	1		KCO12-030N				
7	91002801400	O-RING	1		1B P14				
8	81408000160	PIPE, STEEL	2	M	12X1.4T				
9	82187901020	SENDER, PRESSURE	2						
10	37000919450	JOINT	1				FB0256		
	37000921590	JOINT	1			FB0257			
11	37000550370	SUPPORT	1				FB0256		
	37000561120	SUPPORT	1			FB0257			
12	90101208016	BOLT	2		M8X16				
13	90302040801	WASHER, SPRING	4		8				
14	36623360000	VALVE, CHECK	1				FB0256		000
	36624080000	VALVE, CHECK	1			FB0257	FB0875		000
	36624450000	VALVE, CHECK	1			FB0876			000
15	90101208040	BOLT	2		M8X40				
16	37000550960	PLATE	1				FB0256		
	37000556970	PLATE	1			FB0257			
17	81408000081	PIPE, STEEL	1	M	8X1.2T				
18	80316070040	PLUG	2		PF1/4		FB0256		
	80316070040	PLUG	1		PF1/4	FB0257			
19	37000711000	CLAMP ASSY	1		12-1				
20	37000502450	PLATE	1						
21	91002801600	O-RING	2		1B P16				
22	80301010100	FITTING	1		KUA12-000N				
23	81408000160	PIPE, STEEL	1	M	12X1.4T				

TR-250M-5-00105 4 BOOM + JIB, FLOW CONT., 3M3D

Pos No.	Parts No	Parts Name	Qty	Unit	Technical Data	Serial No (Start)	Serial No (End)	F
97	36631055180	SPRING	3					
98	36631055190	RETAINER (SPRING)	3					
99	36632585150	PLUG	3					
100	91002903000	O-RING	7		1B G30			
111	12435101160	RETAINER (VALVE)	2					
112	91002801400	O-RING	3		1B P14			
143	36644105170	RETAINER (SPRING)	6					
144	36644105160	SPRING	6					
145	91002803200	O-RING	6		1B P32			
146	36644105180	COVER (SPRING)	6					
151	36634535190	RETAINER	1					
163	36644105200	END,SPOOL	3					
172	36634255180	STOPPER	1					
173	36634255190	SPRING	1					
174	90303101201	WASHER,PLAIN	1		12			
175	36634255200	RETAINER (SPRING)	1					
176	36634255210	PLUG	1					
200	36634535200	PLUG	1					
201	91002800800	O-RING	1		1B P8			
223	16095101360	SPRING	2					
224	91002802800	O-RING	2		1B P28			
225	91411002800	RING,BACKUP	2		P28			
226	91002802201	O-RING	2		1B P22A			
227	13215111010	PACKING	2					
232	91001001600	O-RING	17		1A S16			
235	16025153020	SPRING	9					
242	91000501500	O-RING	7		AS568-015			
244	16025153030	SPRING	7					
246	91002801001	O-RING	7		1B P10A			
400	36644260000	VALVE,MANUAL CONTROL	1					

TR-250M-5-00105 4 BOOM + JIB, FLOW CONT., 3M3D

Pos No.	Parts No	Parts Name	Qty	Unit	Technical Data	Serial No (Start)	Serial No (End)	Remarks	Pages
1	80720105040	PIN, SPRING	1		5X40				
2	36032624000	PISTON	1						
3	91302215000	BEARING, PLAIN	2						
4	91431213501	RING, BACKUP	1						
5	91684015001	PACKING	2						
6	91411213501	RING, BACKUP	1						
7	91002809000	O-RING	1		1B P90				
8	91410009000	RING, BACKUP	1		P90				
9	36032621000	CYLINDER	1				FB1846		
	36032621001	CYLINDER	1			FB1847			
10	36032622000	ROD	1						
11	36032623000	COVER, ROD	1				FB1846		
	36032623001	COVER, ROD	1			FB1847			
12	91002814000	O-RING	1		1B P140				
13	91251100900	RING, DAMPER	1						
14	91410209000	RING, BACKUP	1						
15	91694009000	PACKING	1						
16	12426205000	PLATE	1				519851		
17	91660009001	SEAL, DUST	1						
18	91000525800	O-RING	1			FB1847			
30	36032629900	PACKING SET	1		90X150		FB1846		
	36032629901	PACKING SET	1		90X150	FB1847			
50	36032620000	CYLINDER, JACK	1						

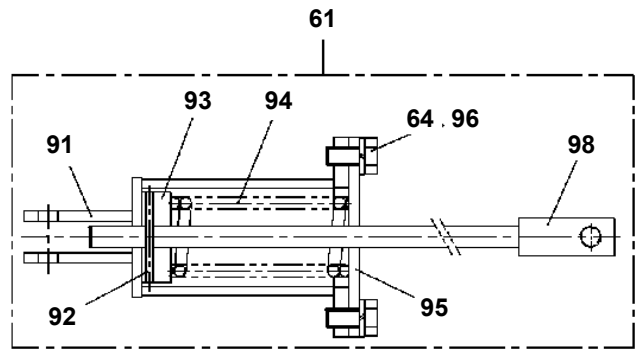
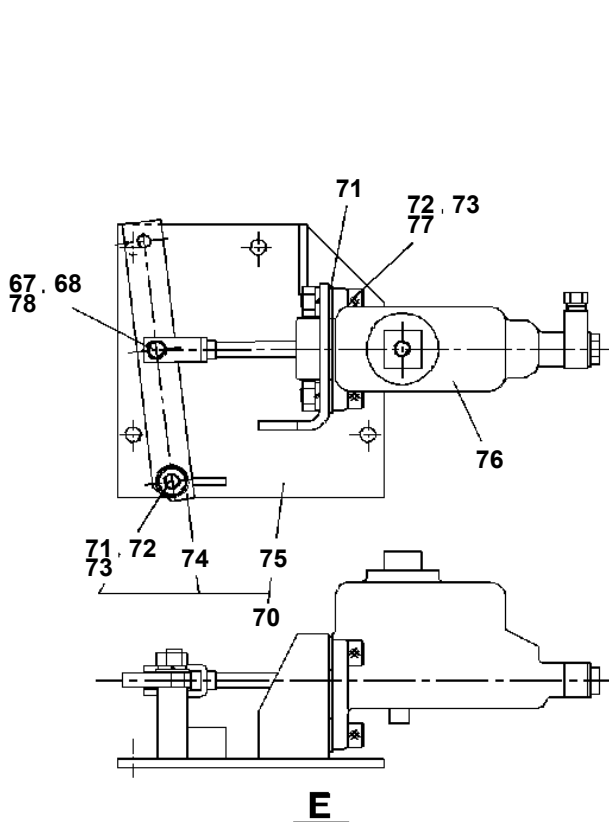
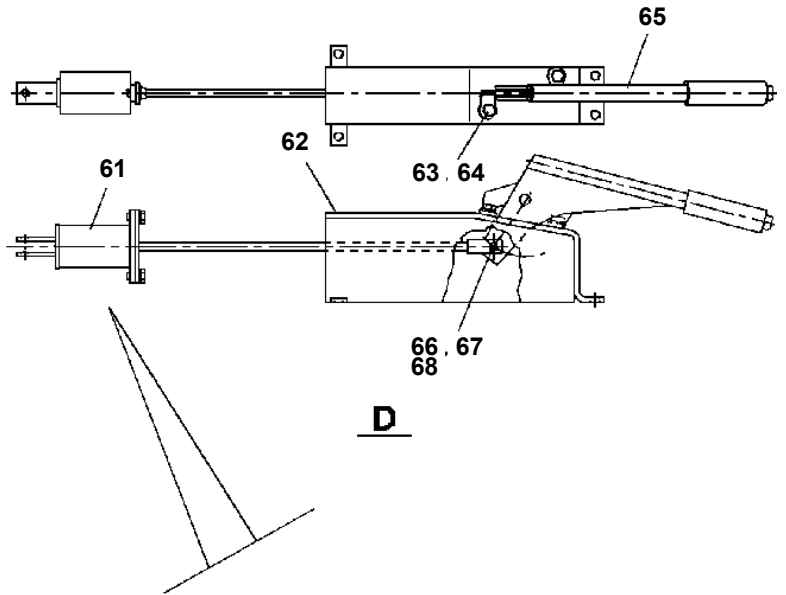
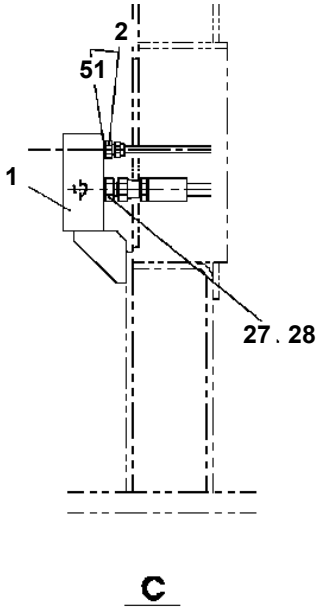
TR-250M-5-00105 4 BOOM + JIB, FLOW CONT., 3M3D

Pos No.	Parts No	Parts Name	Qty	Unit	Technical Data	Serial No (Start)	Serial No (End)	Remarks
63	80400160128	JOINT	8		S,G3/8-G1/4			
64	81408000241	PIPE,STEEL	1	M	18X1.9T			
65	80302090161	FITTING	8		KCO12-030N			
71	91002801100	O-RING	5		1B P11			
81	91002801400	O-RING	8		1B P14			

TR-250M-5-00105 4 BOOM + JIB, FLOW CONT., 3M3D

Pos No.	Parts No	Parts Name	Qty	Unit	Technical Data	Serial No (Start)	Serial No (End)	Remarks
1	36340150000	REDUCER ASSY	1					
2	36660980000	MOTOR ASSY	1					
3	36080415010	NIPPLE	1					
4	36080415020	JOINT, ELBOW	1					
5	80316080080	PLUG	1		PT1/2			
11	36340155010	HOUSING (GEAR)	1					
12	36340155020	SHAFT (R)	1					
13	80500022217	BEARING, BALL	1					
14	16623320050	SEAL, OIL	1					
15	36080155280	WASHER	3					
16	80165106010	SCREW, MACHINE	3		M6X10			
17	36340155030	SPIDER	1					
18	36340155040	GEAR (P2)	3					
19	36340155050	PIN, KING (P2)	3					
20	16623320100	BEARING, THRUST	6					
21	36340155060	BEARING, NEEDLE	6					
22	80720106025	PIN, SPRING	3		6X25			
23	36340155070	RING, THRUST	2					
24	36340155080	PIN	3		18X40			
25	36340155090	BEARING	1					
26	90131516060	BOLT, HEXAGON SOCKET	6		M16X60			
27	36340155100	GEAR (R2)	1					
28	80730130025	PIN	1		13X25			
29	18335116040	O-RING	2					
30	36340155110	PIN	2		20X65			
31	36340155120	COVER, END	1					
32	90131512080	BOLT, HEXAGON SOCKET	2		M12X80			
33	36340155130	GEAR (S2)	1					
34	36340155140	GEAR (P1)	3					
35	36340155150	BEARING, NEEDLE	3					
36	36340155160	PIN, KING (P1)	3					
37	36080155220	WASHER	3					
38	80601110200	RING, RETAINING	3		S20			
39	80720106018	PIN, SPRING	3		6X18			
40	36340155170	CARRIER	1					
41	80601110500	RING, RETAINING	1		S50			
42	36340155180	O-RING	2					
43	80316030020	PLUG	1		PT1/8			
44	90101510050	BOLT	13		M10X50			
45	90101510075	BOLT	2		M10X75			
46	90302041001	WASHER, SPRING	15		10			
47	80316030060	PLUG	6		PT3/8			
48	36340155190	GEAR (R1)	1					
51	36660985010	SHAFT	1					
52	80500006305	BEARING, BALL	1					
53	36660025140	SEAL, OIL	1					
54	36660985070	ROLLER, NEEDLE	3					
55	36660985040	PLATE (CAM)	1					
56	80720110020	PIN, SPRING	1		10X20			
57	36660985050	BARREL, CYLINDER	1					
58	36660495070	HOLDER, PLUNGER	1					
59	36660985030	HOUSING ASSY	1					
60	36660985090	FACING	1					
61	80500006006	BEARING, BALL	1					
62	14315102190	O-RING	1					
63	36660985110	COVER (BOTTOM)	1					
64	18335116940	BREATHING, AIR	1					
67	80602110520	RING, RETAINING	1		R52			
68	36660985100	SPRING (BRAKE)	20					
70	36660125050	PLUG	1		PT1/4			
72	59451302360	CAP (AIR BLEEDER SCREW)	1					
82	36660985060	SPRING (CENTER)	1					
83	80602110450	RING, RETAINING	1		R45			

TR-250M-5-00105 4 BOOM + JIB, FLOW CONT., 3M3D
PD1100045-00 OPERATION SYSTEM, SWING BRAKE



TR-250M-5-00105 4 BOOM + JIB, FLOW CONT., 3M3D

Pos No.	Parts No	Parts Name	Qty	Unit	Technical Data	Serial No (Start)	Serial No (End)	Remarks	Pages
1	81408000290	PIPE, STEEL	2	M	22X2.5T				
2	81408000290	PIPE, STEEL	2	M	22X2.5T				
3	37000908840	JOINT	1		L, G1/2-22				
4	37000906830	JOINT	1		L, 3/4-22				
5	37002440810	HOSE	1		L=1120				
6	37002441390	HOSE	1		L=1120				
7	80302090281	FITTING	2		KCO22-060N				
8	91002802400	O-RING	2		1B P24				
9	37000711100	CLAMP ASSY	1		28X2				
10	37000503330	SUPPORT	1						
11	37000300780	SLEEVE	2		28-22				
12	37000711030	CLAMP ASSY	2		22X1				
13	37000515540	PLATE	1						
14	37000511130	PLATE	1						

TR-250M-5-00105 4 BOOM + JIB, FLOW CONT., 3M3D

Pos No.	Parts No	Parts Name	Qty	Unit	Technical Data	Serial No (Start)	Serial No (End)	Re
1	36310140000	CLUTCH, WINCH	1					
3	19413067010	CYLINDER, CLUTCH	1					
5	19413067020	CYLINDER, CLUTCH	1					
6	19413067030	SHOE ASSY (CLUTCH)	2					
7	19413067040	SPRING	4					
8	19413067050	SPRING	2					
10	19413067060	HOLDER ASSY (SHOE)	2					
13	19413067070	BOLT (WITH WASHER)	4					
14	90101516040	BOLT	2		M16X40			
15	90302041601	WASHER, SPRING	2		16			
16	19413067080	TUBE ASSY	1					
17	19413067090	PLATE (BACK)	1					
20	19413067170	LINING	2					
21	19413067180	RIVET	36					
31	19413067110	PISTON	2					
32	19413067120	PACKING SET	2					
33	19413067130	SCREW (ADJUSTING)	2					
34	80152105012	SCREW	2		M5X12			
35	90302040501	WASHER, SPRING	2		5			
36	19413067140	SPRING (ADJUSTING)	2					
37	19413127090	CAP (BLEEDER)	2					
38	19413067160	BLEEDER	2					
39	19413067220	CONNECTOR	1					
40	19413067101	TUBE ASSY (WITH CONNECTOR)	1					

TR-250M-5-00105 4 BOOM + JIB, FLOW CONT., 3M3D

Pos No.	Parts No	Parts Name	Qty	Unit	Technical Data	Serial No (Start)	Serial No (End)	Remarks	Pages
1	36091421001	ADAPTER	1						
2	36091422001	SHAFT	1						
3	91250000065	SEAL,RING	1						
4	80500051115	BEARING,BALL	1						
6	37000526410	PLATE	2						
7	82456101000	NIPPLE,GREASE	2		A-PT1/8				
8	37000124461	PIN	1						
10	37000105190	PIN	1						
11	37001400030	SPRING	1						
12	90303070801	WASHER,PLAIN	1		8				
13	80136320015	PIN,SPLIT	1		2X15				
14	36091429520	HOOK ASSY	1						
16	90302041401	WASHER,SPRING	1		14				
17	36091423000	BEARING,PLAIN	1						
18	37001505260	BOLT	1						
19	36092470060	PLATE	1						
30	36091429510	STOPPER ASSY	1						
60	36091420000	HOOK (AUX.)	1						

TR-250M-5-00105 4 BOOM + JIB, FLOW CONT., 3M3D

Pos No.	Parts No	Parts Name	Qty	Unit	Technical Data	Serial No (Start)	Serial No (End)	Remarks	P
1	37001805280	ROPE,WIRE (KISWIRE)	1						

TR-250M-5-00105 4 BOOM + JIB, FLOW CONT., 3M3D

Pos No.	Parts No	Parts Name	Qty	Unit	Technical Data	Serial No (Start)	Serial No (End)	Remarks
1	33310042010	BOLT	1		M18X170			
2	19413123000	SPRING	1					
3	90265401800	NUT	2		M18			
4	34310584400	BAND	1					
5	34310583100	SUPPORT	1					
6	90101510022	BOLT	2		M10X22			
7	90302041001	WASHER, SPRING	4		10			
8	34310583200	SUPPORT	1					
9	37000528060	PLATE	4					
10	37001200790	SPRING	1					
11	34310583300	CYLINDER	1					
12	91684004500	PACKING	1					
13	91411203501	RING, BACKUP	1					
14	91002803900	O-RING	1		1B P39			
15	34310583400	PISTON	1					
16	34310583500	BOOT	1					
17	34310583600	ROD	1					
18	91002904000	O-RING	1		1B G40			
19	59457138000	PLUG ASSY	2					
20	34310583700	CYLINDER	1					
21	90266201200	NUT	1		M12			
22	34310583800	BOLT	1					
23	34310583900	BOOT	1					
24	37000126260	PIN	1					
	37000200850	PIN	1			FB3054		FB3053
25	37001200800	SPRING	1					
26	34310584500	PACKING	1					
27	34310584600	RING, BACKUP	1					
28	34310584000	PISTON	1					
29	91002800600	O-RING	1		1B P6			
30	91411000600	RING, BACKUP	1		P6			
31	37000528050	PLATE	1					
32	90101206016	BOLT	4		M6X16			
33	90203200600	NUT	2		M6			
34	37001300120	SPRING	2					
35	34310584100	SUPPORT	1					
36	33310312200	SUPPORT	2					
37	90131506010	BOLT, HEXAGON SOCKET	2		M6X10			
38	90302040601	WASHER, SPRING	4		6			
39	90101510016	BOLT	2		M10X16			
40	37000128690	PIN	2					
41	37000302680	SPACER	2					
43	34310584200	INDICATOR	1					
44	90131510022	BOLT, HEXAGON SOCKET	4		M10X22			
45	34310584300	LINK ASSY	1					
46	80601110120	RING, RETAINING	2		S12	FB3054		
51	34310584810	LINING (AKEBONO)	8					
	34310584821	LINING (FUJI)	8			FB4138		FB4335
	34310584822	LINING (FUJI)	8			FB4336		
52	19413121090	RIVET	64		6X12			
71	34310584310	LINK	1					
72	37000528070	PLATE	2		T=2.3			
73	80530000204	BEARING, SPHERICAL	1					
82	80801002520	BEARING, PLAIN	2					
90	34310589900	PACKING SET	1					
100	34310583000	BAND, WINCH BRAKE	1					

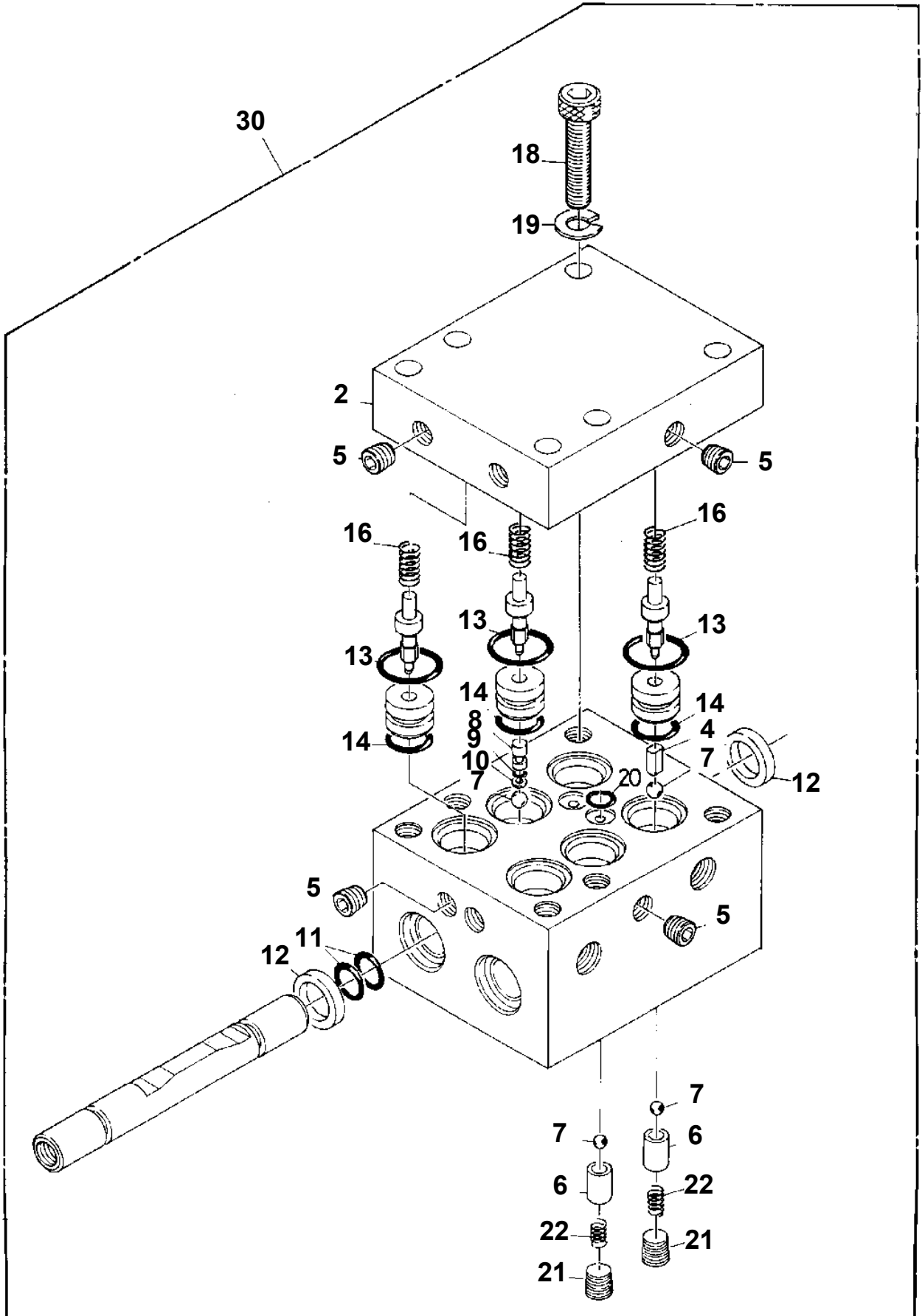
TR-250M-5-00105 4 BOOM + JIB, FLOW CONT., 3M3D

Pos No.	Parts No	Parts Name	Qty	Unit	Technical Data	Serial No (Start)	Serial No (End)	Remarks	Pages
1	34442071000	ROLLER ASSY	1						
2	90101210025	BOLT	8		M10X25				
3	90302041001	WASHER, SPRING	8		10				
4	90303071001	WASHER, PLAIN	8		10				
5	14124015000	BOLT	2						
6	90201201200	NUT	4		M12				
7	90102210045	BOLT	2		M10X45				
8	90201201000	NUT	2		M10				
9	37001300430	SPRING	2						
10	37000548190	PLATE	2						
21	34440631100	ROLLER	1						
22	34442071100	LEVER	1						
23	34442071300	SUPPORT	1						
24	34440701100	ROLLER	1						
25	37000303200	SPACER	4		L=12.5				
26	80516006205	BEARING, BALL	2						
27	80602110520	RING, RETAINING	2		R52				
28	34440631300	ROLLER	1						
29	34442071200	LEVER	1						
30	90303072401	WASHER, PLAIN	2		24				
31	37000127440	PIN	2						
32	90101510016	BOLT	2		M10X16				
33	90302041001	WASHER, SPRING	2		10				
34	34442071400	SUPPORT	1						
40	34442079510	ROLLER ASSY	1						

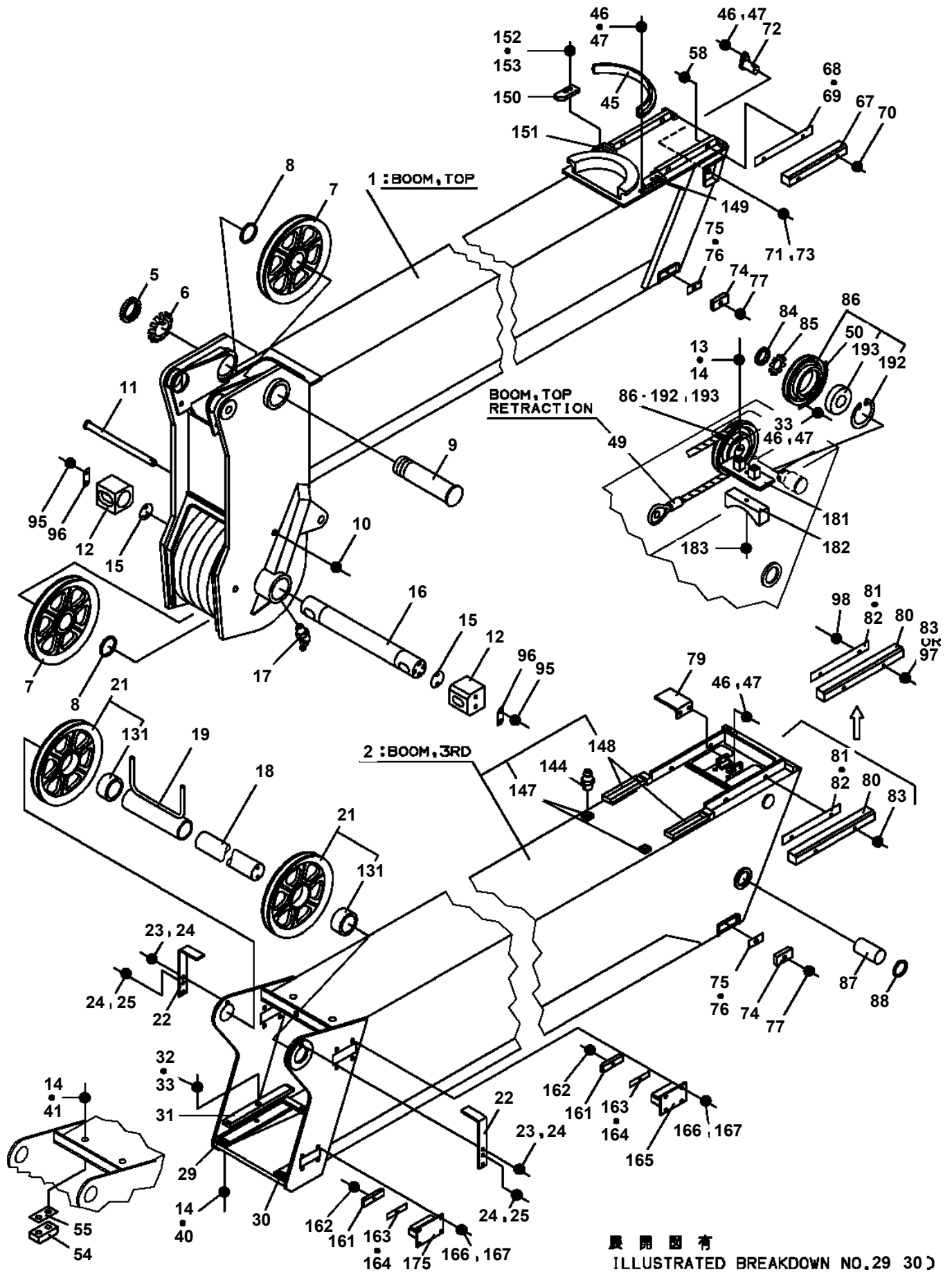
TR-250M-5-00105 4 BOOM + JIB, FLOW CONT., 3M3D

Pos No.	Parts No	Parts Name	Qty	Unit	Technical Data	Serial No (Start)	Serial No (End)	Remarks
1	80302090281	FITTING	2		KCO22-060N			
2	91002802400	O-RING	2		1B P24			
3	81408000290	PIPE,STEEL	3	M	22X2.5T			
4	81408000290	PIPE,STEEL	3	M	22X2.5T			
5	81408000160	PIPE,STEEL	3	M	12X1.4T			
6	80305010100	FITTING,TEE	1		KTA12-000N			
7	81408000160	PIPE,STEEL	2	M	12X1.4T			
8	37000711100	CLAMP ASSY	2		28X2			
9	37000300780	SLEEVE	4		28-22			
10	37000502410	PLATE	1					
11	37000514220	SUPPORT	1					
12	90101208016	BOLT	2		M8X16			
13	90302040801	WASHER,SPRING	6		8			
14	37000533450	SUPPORT	1					
15	37000900130	JOINT	2					
16	37002429730	HOSE	2		L=1200 TO 1100			
17	90101208020	BOLT	4		M8X20			
18	82100002017	CLAMP	2		WR30			
19	80400160134	JOINT	2					
20	37000711080	CLAMP ASSY	2		12-2			
21	37000529230	PLATE	3					
22	81408000160	PIPE,STEEL	2	M	12X1.4T			
23	37000711410	CLAMP ASSY	2		12-4			
24	80303130141	FITTING,ELBOW	3		KLO12-020E			
25	81408000160	PIPE,STEEL	1	M	12X1.4T			
26	36643940000	VALVE,HYDRAULIC	1					
27	37000551310	PLATE	1					
28	34342091500	SUPPORT	1					
29	37002419080	HOSE	1		L=400		FB0581	
	37002428670	HOSE	1		L=375	FB0582		
30	36671970000	FILTER ASSY	1					
31	91002801100	O-RING	5		1B P11		FB0581	
	91002801100	O-RING	6		1B P11	FB0582		
32	80302090161	FITTING	1		KCO12-030N			
33	91002801400	O-RING	1		1B P14			
34	81408000160	PIPE,STEEL	1	M	12X1.4T			
35	81408000160	PIPE,STEEL	1	M	12X1.4T			
36	80302090141	FITTING	3		KCO12-020N		FB1327	
	80302090141	FITTING	2		KCO12-020N	FB1328		
37	36644070000	VALVE,SOLENOID	1					
38	37000920010	JOINT (ORIFICE)	1		0.6			
39	80320010075	FITTING	1		KUD12-020N			
40	80301010100	FITTING	2		KUA12-000N			
41	81408000160	PIPE,STEEL	2	M	12X1.4T			
42	81408000160	PIPE,STEEL	2	M	12X1.4T			
43	34340276010	SUPPORT	1					
44	80305131202	FITTING,TEE	1		T G1/4-12-12			
45	91002802900	O-RING	2		1B P29			
46	90101210018	BOLT	7		M10X18			
47	90302041001	WASHER,SPRING	7		10			
48	80400160127	JOINT	1			FB0582		
49	80315040040	JOINT	1			FB1328		
50	36623540000	VALVE,CHECK	1			FB1328		
51	80303030140	FITTING,ELBOW	1		KLN12-020N	FB1328		
61	36671970100	JOINT	1				FB3082	
	36671975030	BODY	1			FB3083	FB3212	
62	34340021700	FILTER	1				FB3082	
	36671975040	ELEMENT	1			FB3083	FB3212	
70	36642930000	VALVE,SOLENOID	2					
72	36644071000	BODY,VALVE	1					
73	36640220010	PISTON	1					
74	91040100500	O-RING	1		P5			
75	91411000500	RING,BACKUP	1					

TR-250M-5-00105 4 BOOM + JIB, FLOW CONT., 3M3D
PF1300007-00 VALVE, CLUTCH



TR-250M-5-00105 4 BOOM + JIB, FLOW CONT., 3M3D
 PG1010306-05 BOOM

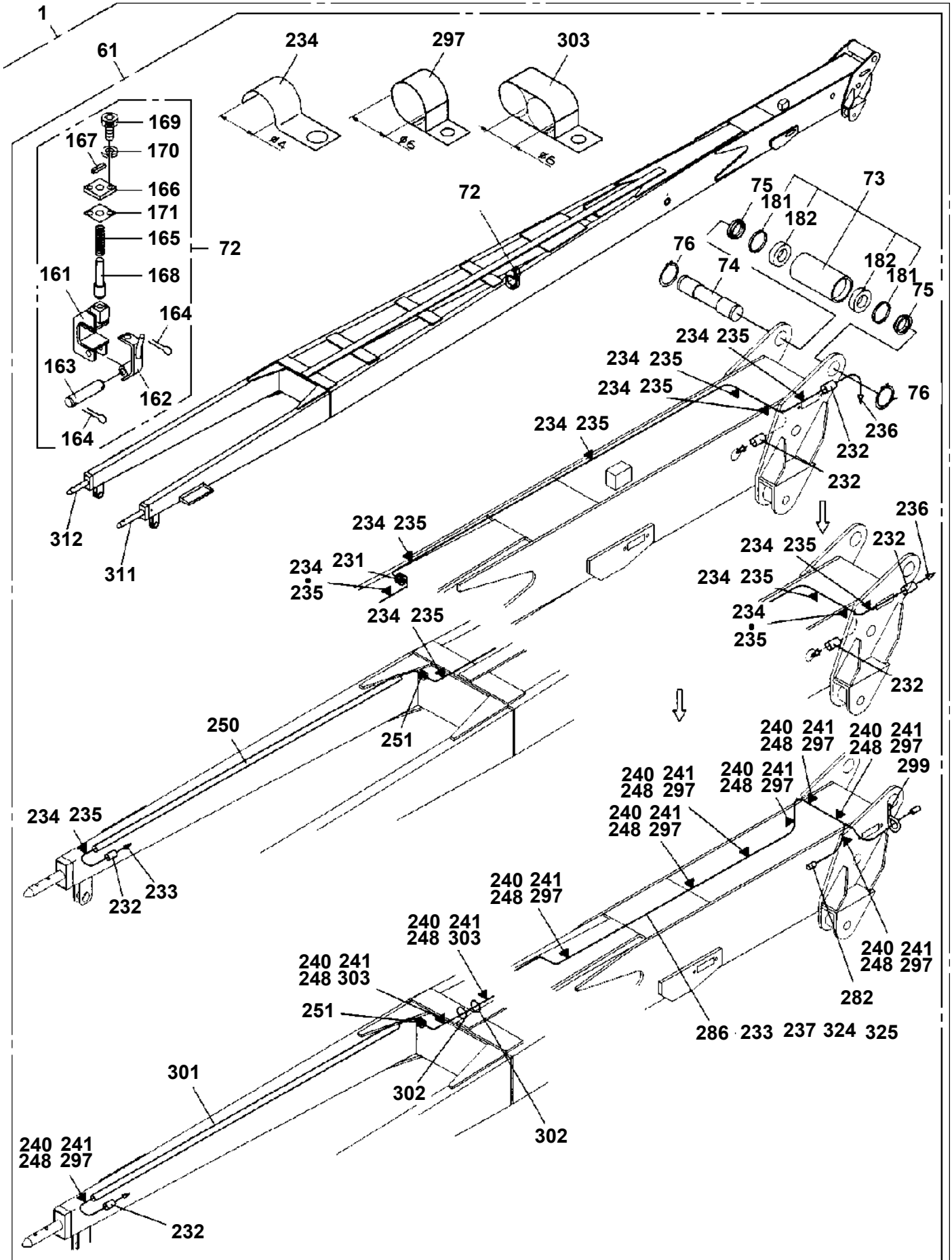


展開図有
 ILLUSTRATED BREAKDOWN NO.29 30)

TR-250M-5-00105 4 BOOM + JIB,FLOW CONT.,3M3D

Pos No.	Parts No	Parts Name	Qty	Unit	Technical Data	Serial No (Start)	Serial No (End)	Rem
53	90101516130	BOLT	4		M16X130			
54	34200760300	PLATE	4					
55	34200760400	SHIM	6		T=2.3			
58	80136316010	PIN,SPLIT	4		1.6X10			
59	37002005650	PLATE,SLIDE	4					
60	16511046000	SHIM (T=1.0)	12					
61	34200110100	SHIM (T=0.6)	4					
62	19041017000	COVER	4					
63	37002000150	PLATE,SLIDE	4					
64	33200000210	SHIM	8		T=1.0			
65	33200000220	SHIM	4		T=0.6			
66	34200065530	PLATE	4					
67	37002000110	PLATE,SLIDE	2					
68	33200000320	SHIM	4		T=1.0			
69	33200000330	SHIM	2		T=0.6			
70	37001503190	BOLT,HEXAGON SOCKET	4					
71	90303132001	WASHER,PLAIN	2		20			
72	37000124440	PIN	2					
73	80136340032	PIN,SPLIT	2		4X32			
74	19411012000	PLATE,SLIDE	8		T=15			
75	19411013000	SHIM	24		T=1.0			
76	34200280100	SHIM	8		T=0.6			
77	90131506016	BOLT,HEXAGON SOCKET	8		M6X16			
79	19411124001	GUIDE	2					
80	37002005740	PLATE,SLIDE	2					
81	33200232110	SHIM (T=1.0)	4					
82	33200232120	SHIM (T=0.6)	2					
83	90131506040	BOLT,HEXAGON SOCKET	4		M6X40			
84	80561100080	NUT	2		AN08			
85	80562100080	WASHER,TOOTH	2		AW08			
86	37001000360	SHEAVE ASSY	2					
87	37000149310	PIN	4					
88	80602110550	RING,RITAINING	8		R55			
89	37002004770	PLATE,SLIDE	2					
90	90101506016	BOLT	2		M6X16			
91	37000111270	PIN	1					
92	37000144990	PIN	1					
93	37000400220	BEARING,PLAIN	2					
94	90730010160	SCREW,SET	4		M10X16			
95	16511025000	BOLT	4		M12X22			
96	37000550100	PLATE	2					
97	90131506045	BOLT,HEXAGON SOCKET	4		M6X45			
98	90203200600	NUT	4		M6			
110	33200008430	ADJUSTER ASSY	1					
111	90203401600	NUT	1		M16			
112	90201401600	NUT	1		M16			
113	33200000100	SUPPORT	1					
114	37001002140	SHEAVE	1					
115	37000100800	PIN	1					
116	80601110250	RING,RITAINING	1		S25			
117	90101512018	BOLT	4		M12X18			
118	90302041201	WASHER,SPRING	5		12			
119	33200000110	SUPPORT	1					
120	90101512020	BOLT	1		M12X20			
121	90303071201	WASHER,PLAIN	1		12			
131	80520045013	BEARING,ROLLER	2					
142	82121800010	PLUG (OTUKA)	4			FB0055		
144	82456106000	NIPPLE,GREASE	6		1/4-28UNF		FB0828	
	82456106000	NIPPLE,GREASE	6		1/4-28UNF			
145	33200261560	PLATE	2					
146	34480001100	SUPPORT	2					
147	33200676020	PLATE	2					
148	34200600210	SUPPORT	2					

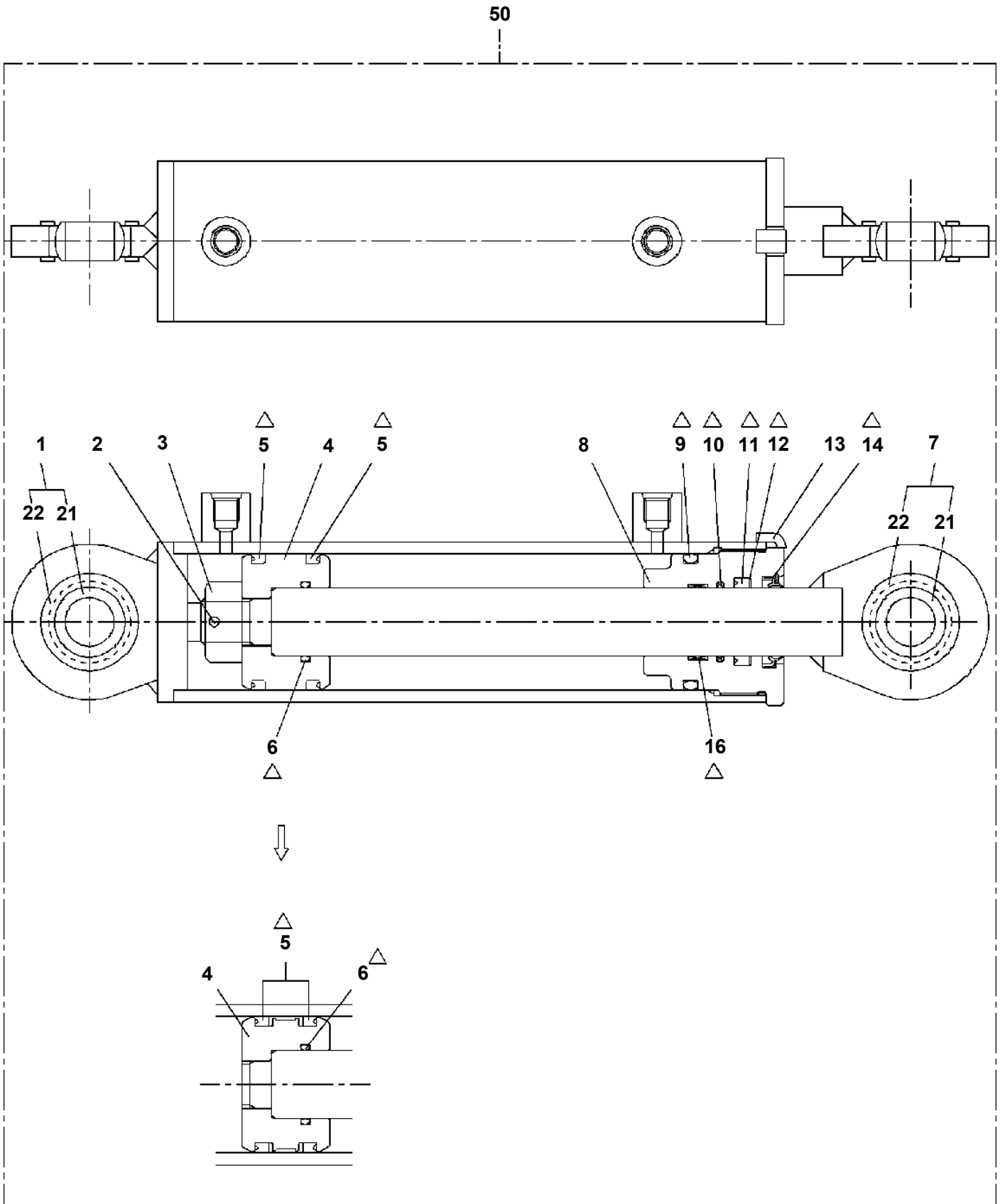
TR-250M-5-00105 4 BOOM + JIB, FLOW CONT., 3M3D
PG1040255-00 JIB



TR-250M-5-00105 4 BOOM + JIB, FLOW CONT., 3M3D

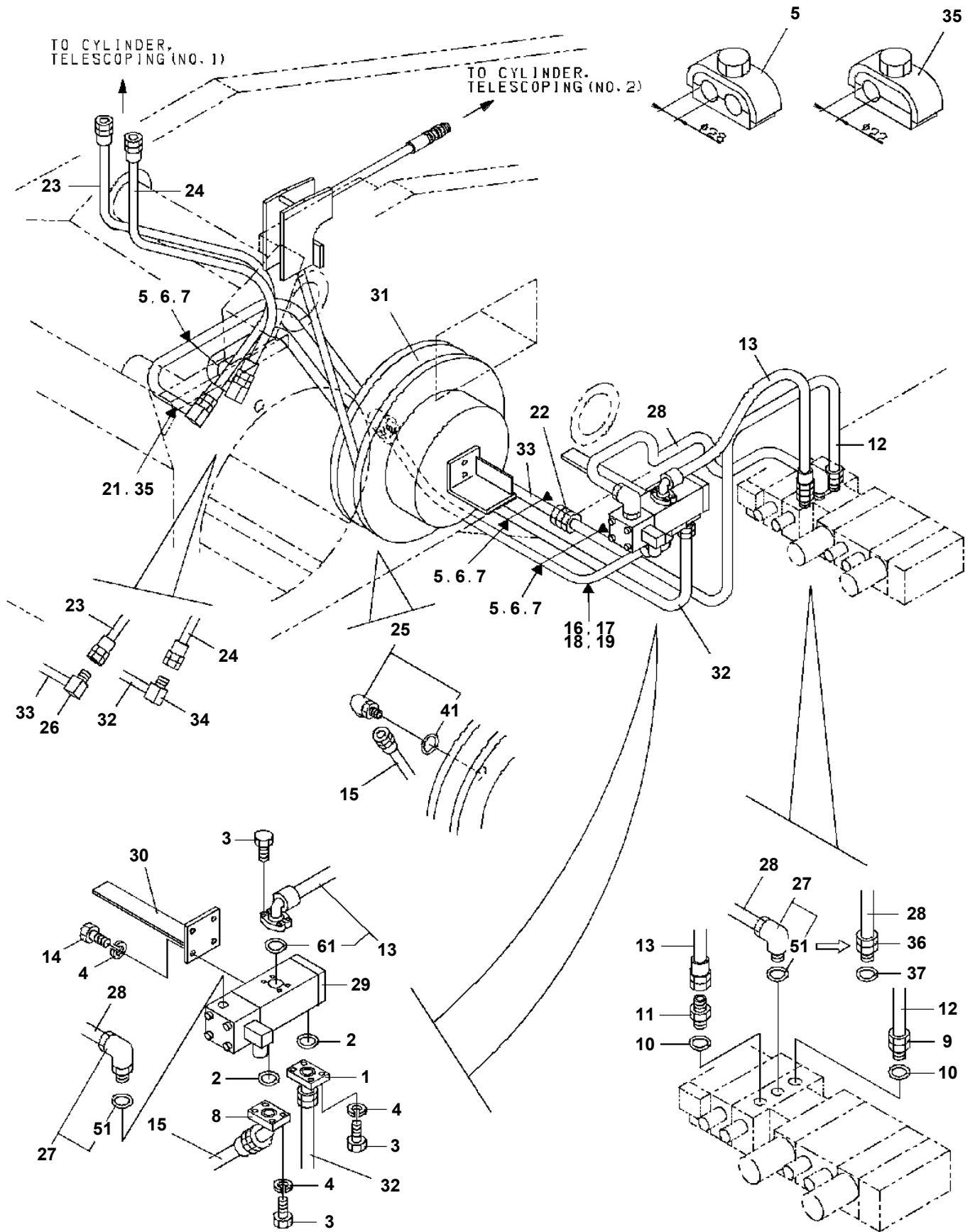
Pos No.	Parts No	Parts Name	Qty	Unit	Technical Data	Serial No (Start)	Serial No (End)	R
1	36013660000	CYLINDER, TELESCOPING (NO.1)	1					
2	36013670000	CYLINDER, TELESCOPING (NO.2)	1					
3	37002428550	HOSE	1		L=375			
16	59457138000	PLUG ASSY	2					
17	80720105025	PIN, SPRING	2		5X25			
18	37001601090	NUT	2					
19	91302213000	BEARING, PLAIN	4					
20	91684013000	PACKING	4					
21	91431211501	RING, BACKUP	2					
22	36010520100	PISTON	2					
23	91002909500	O-RING	2		1B G95			
24	36013661000	ROD	1					
25	36013668310	CYLINDER	1					
26	91002913000	O-RING	2		1B G130			
27	36010524001	COVER, ROD	2					
28	36010523000	SUPPORT	2					
29	91251101150	RING, DAMPER	2					
30	91694011500	PACKING	2					
31	91410211502	RING, BACKUP	2		TE-130X115X2			
32	91301111500	BEARING, PLAIN	2					
33	16326020000	STOPPER	2					
34	91660011501	SEAL, DUST	2					
35	91411211501	RING, BACKUP	2					
36	19116004000	COVER	2					
38	16265153000	CARTRIDGE, COUNTERBALANCE	2					
39	90131510025	BOLT, HEXAGON SOCKET	8		M10X25			
40	90302041001	WASHER, SPRING	8		10			
41	18336032000	PLATE	2			519214		
51	37001100290	ROLLER ASSY	1					
52	16516106000	PIN	1					
53	16316005000	COLLAR	2		L=4			
54	90303102001	WASHER, PLAIN	4		20			
55	80136340030	PIN, SPLIT	4		4X30			
62	80516006204	BEARING, BALL	4					
63	80602110470	RING, RETAINING	2		R47			
84	36013671000	ROD	1					
85	36013678310	CYLINDER	1					
111	18616057000	COLLAR	2		L=5			
112	37000100350	PIN	1					
113	37001100040	ROLLER ASSY	2					
116	37000300470	SPACER	1		L=71			
120	36010089900	PACKING SET	2		115X130			

TR-250M-5-00105 4 BOOM + JIB, FLOW CONT., 3M3D
PG1080052-00 CYLINDER, JIB (QUICK TURN)

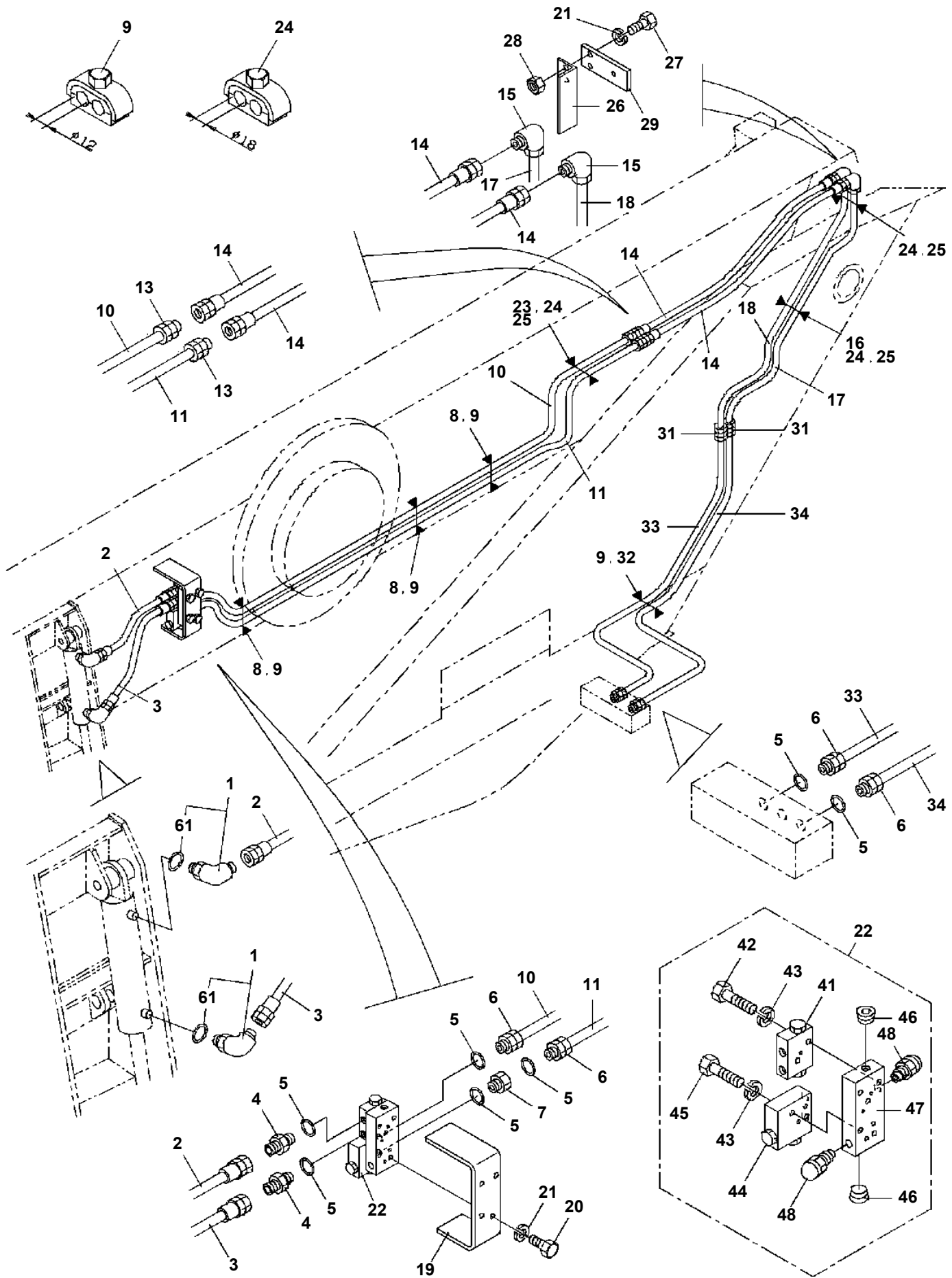


△ PACKING SET KEY NO. 40 (KEY NO. 5, 6, 9, 10, 11, 12, 14, 16)

**TR-250M-5-00105 4 BOOM + JIB, FLOW CONT., 3M3D
PG1200083-02 PIPING, TELESCOPING**

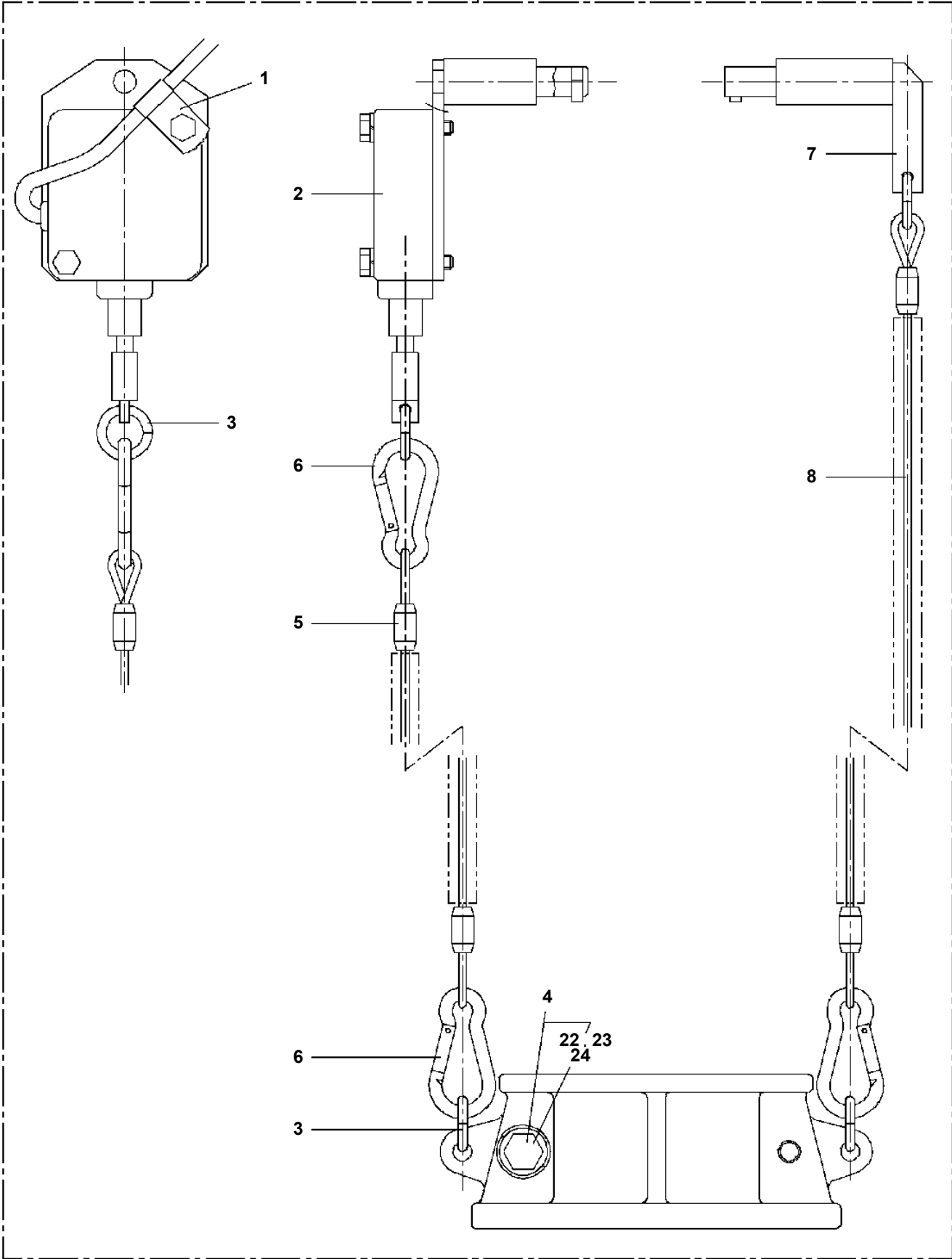


**TR-250M-5-00105 4 BOOM + JIB, FLOW CONT., 3M3D
 PG1400042-00 PIPING, JIB (QUICK TURN)**

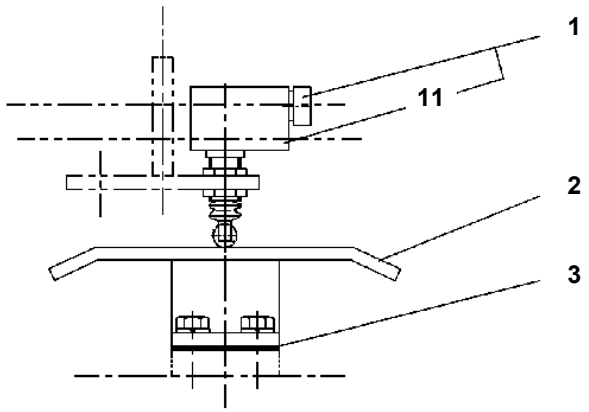
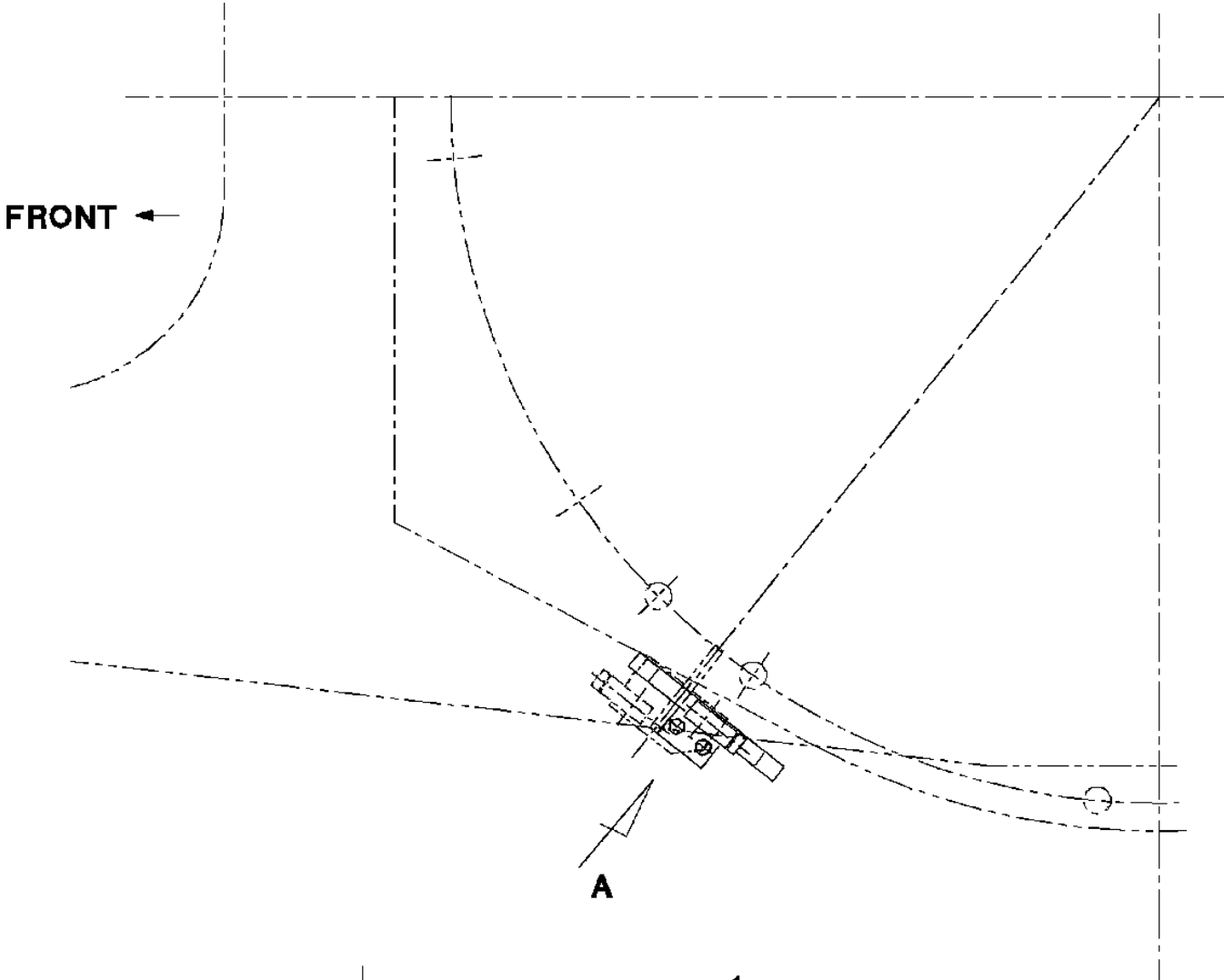


**TR-250M-5-00105 4 BOOM + JIB, FLOW CONT., 3M3D
PH1060238-01 DETECTOR, OVER WINDING (WEIGHT, JIB & S/T)**

50

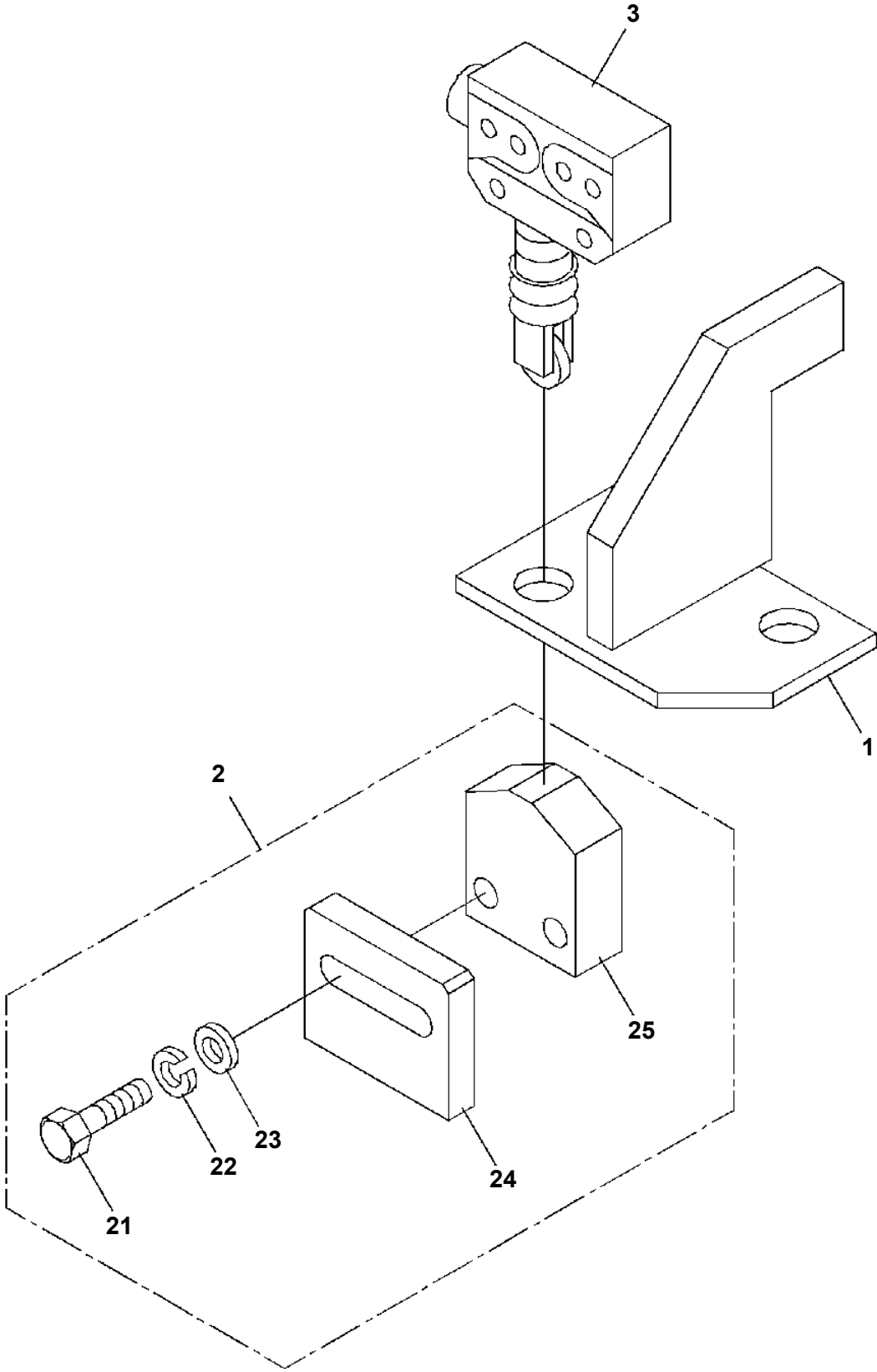


TR-250M-5-00105 4 BOOM + JIB,FLOW CONT.,3M3D
PH1090015-01 DETECTOR,OVER REAR AREA

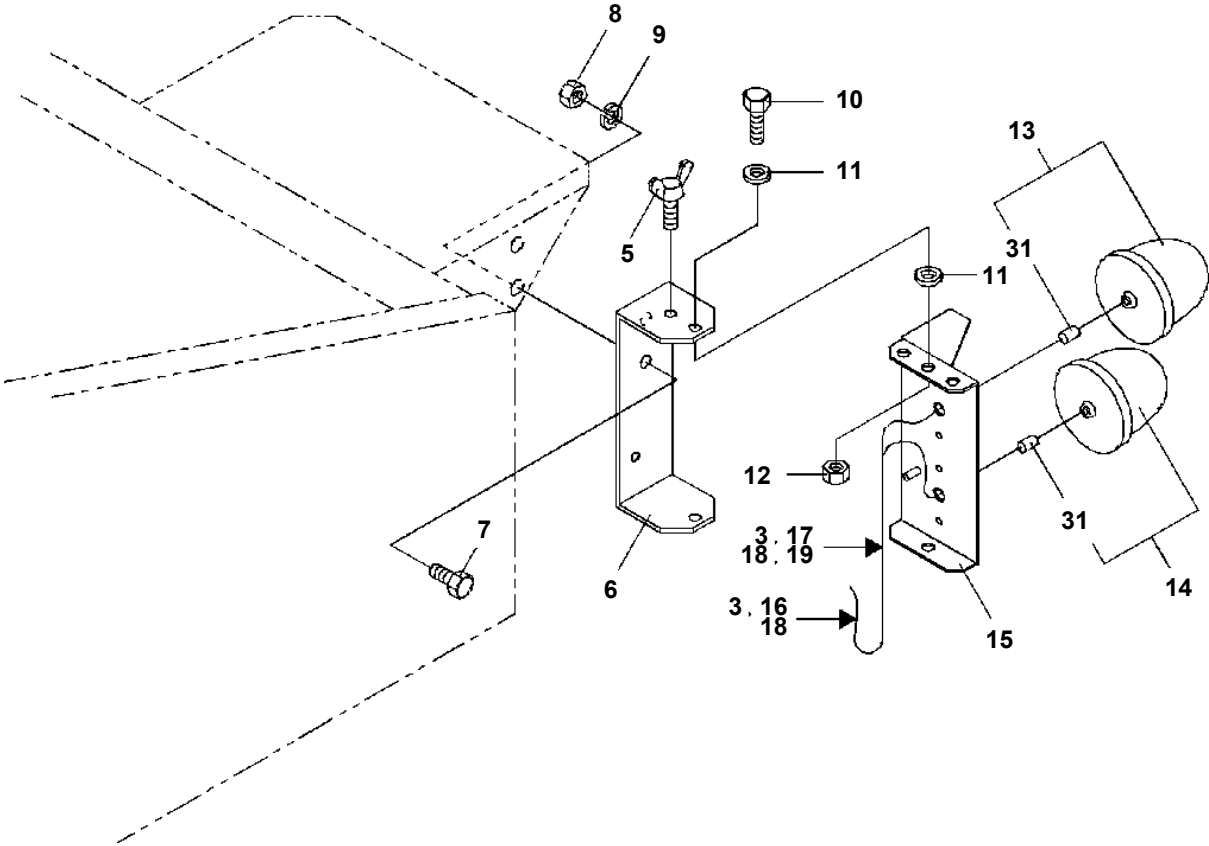
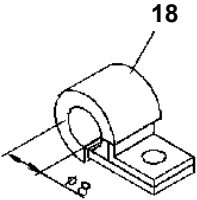
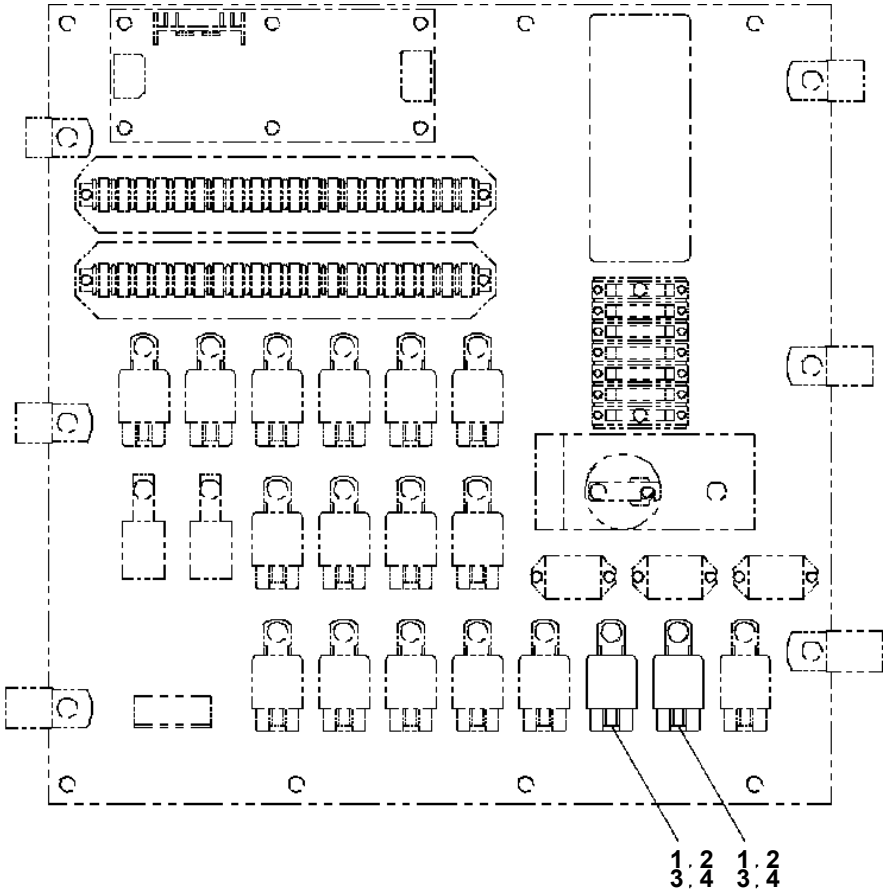


VIEW **A**

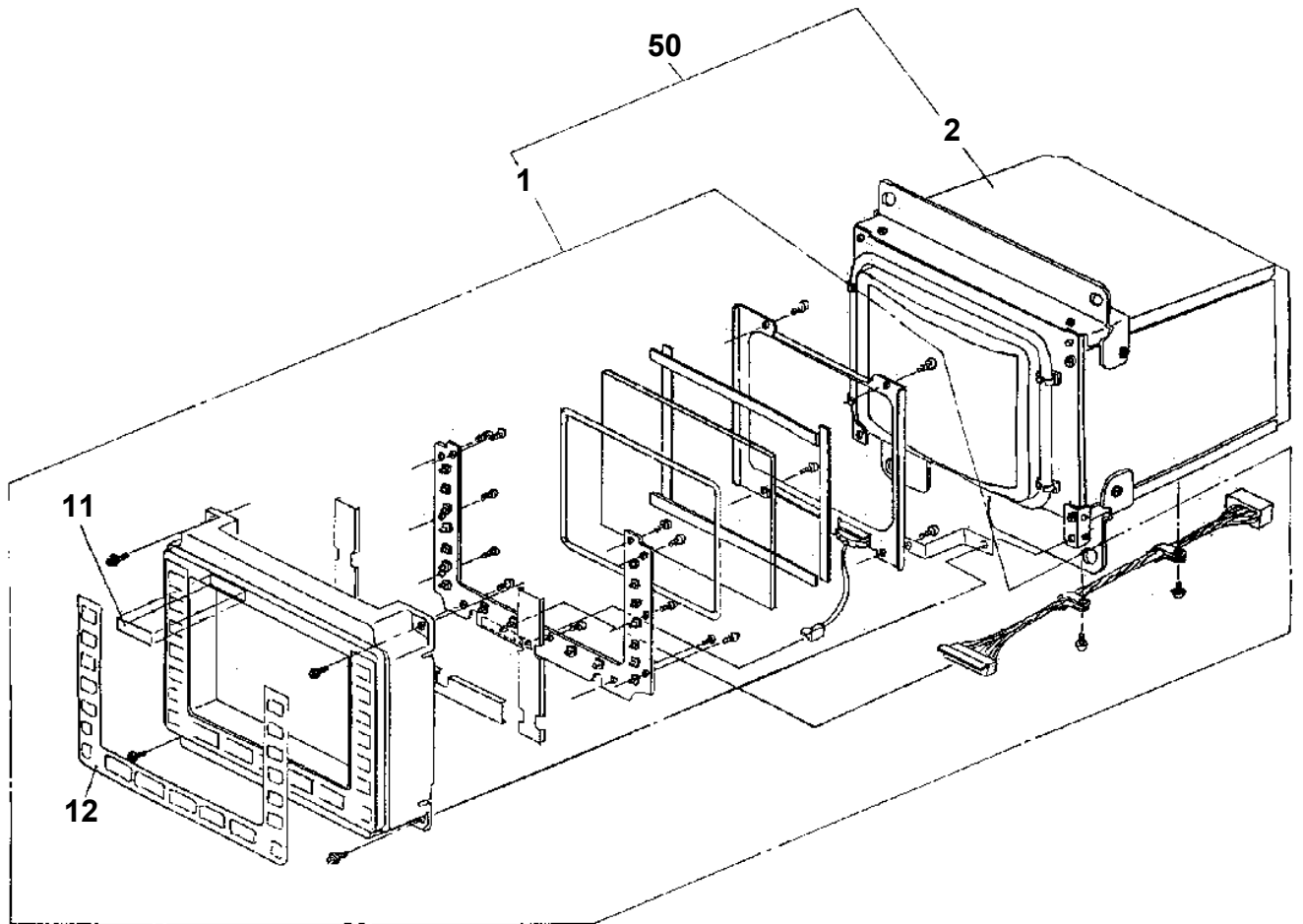
**TR-250M-5-00105 4 BOOM + JIB, FLOW CONT., 3M3D
PH1100063-00 DETECTOR, OVER FRONT AREA**



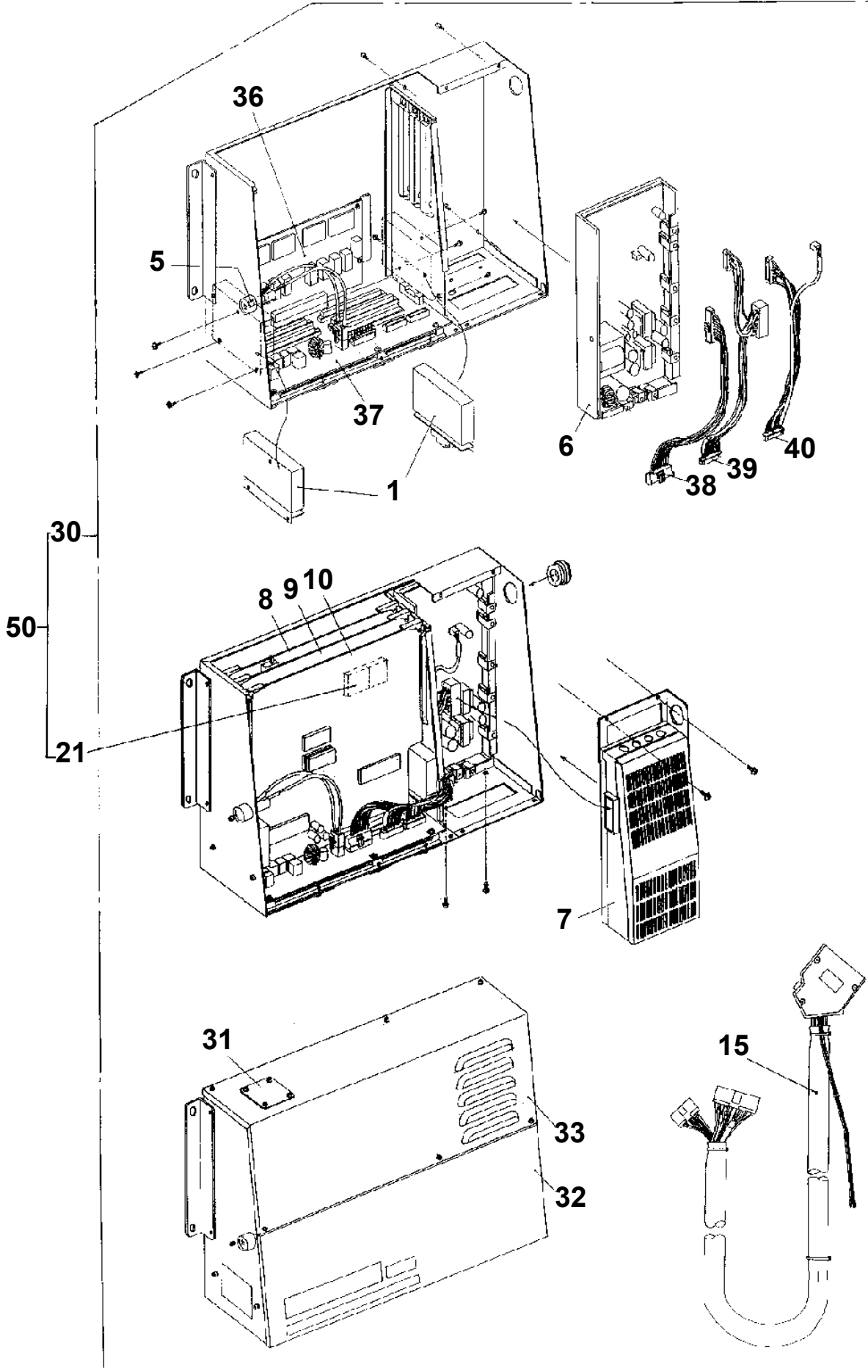
**TR-250M-5-00105 4 BOOM + JIB, FLOW CONT., 3M3D
PH1330020-00 LAMP, AML SIGNAL (OPTION)**



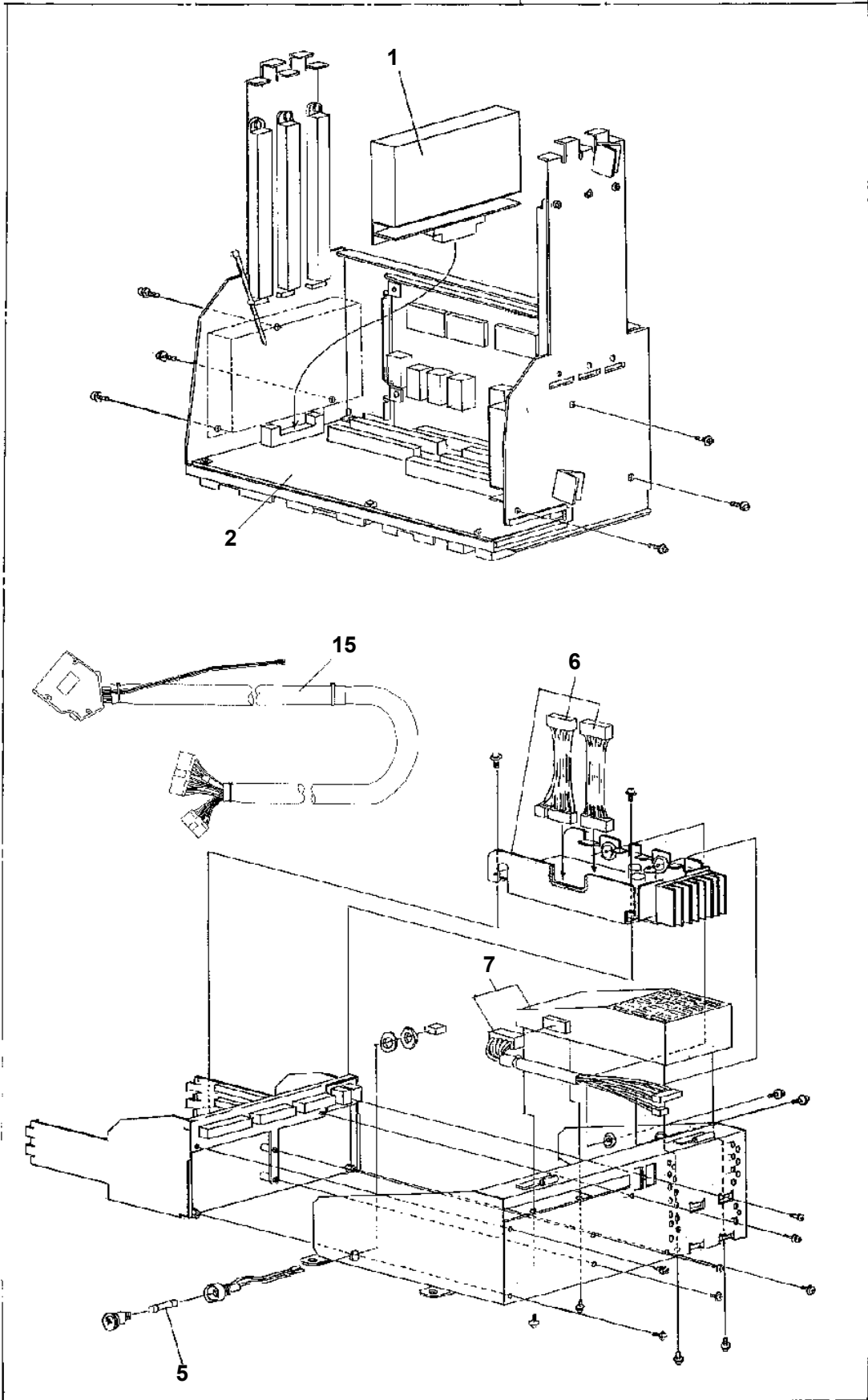
TR-250M-5-00105 4 BOOM + JIB, FLOW CONT., 3M3D
PH1710001-00 DISPLAY



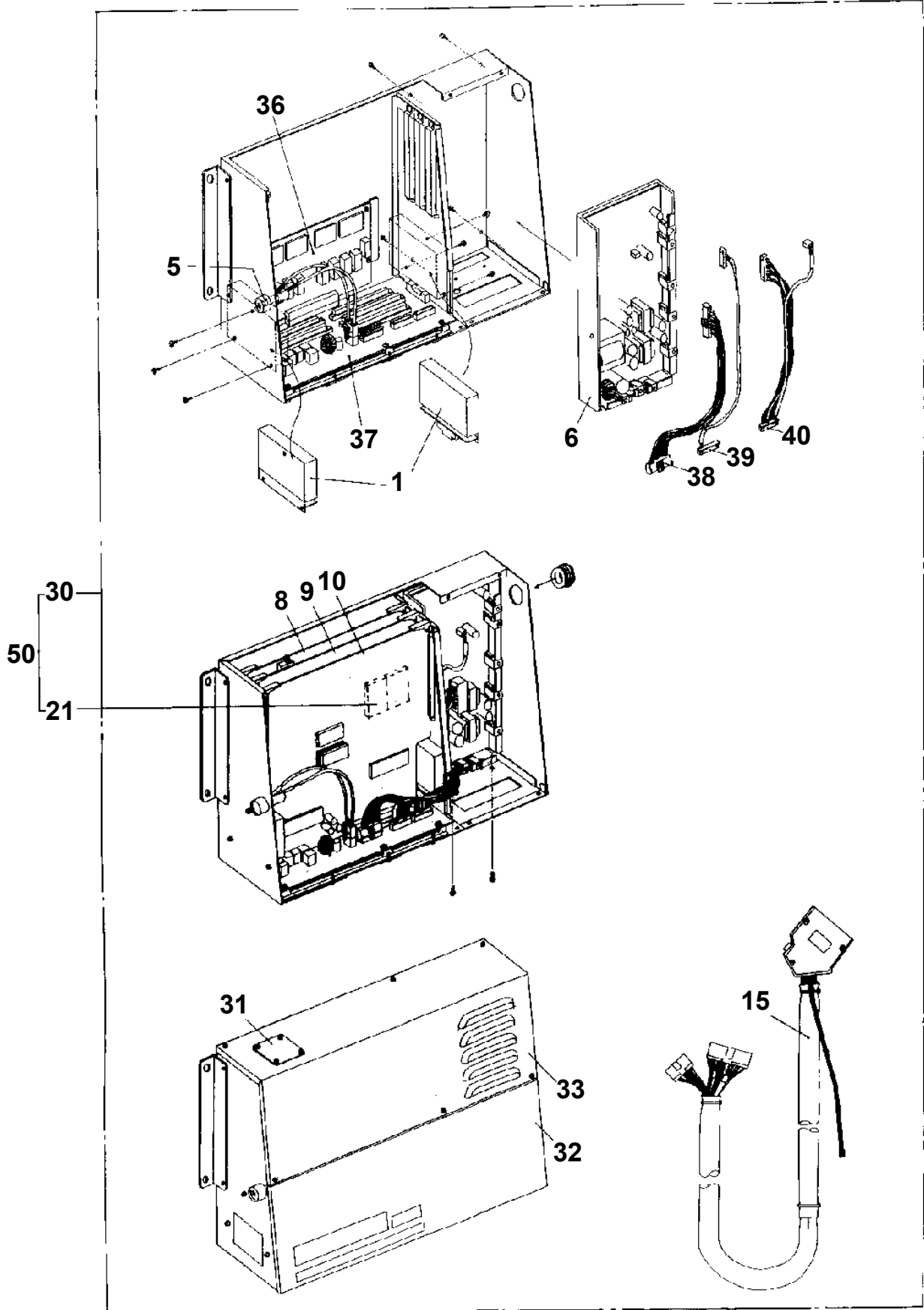
TR-250M-5-00105 4 BOOM + JIB, FLOW CONT., 3M3D
PH1720001-02 CONTROL UNIT, MULTI-DISPLAY (WITH TUNER)



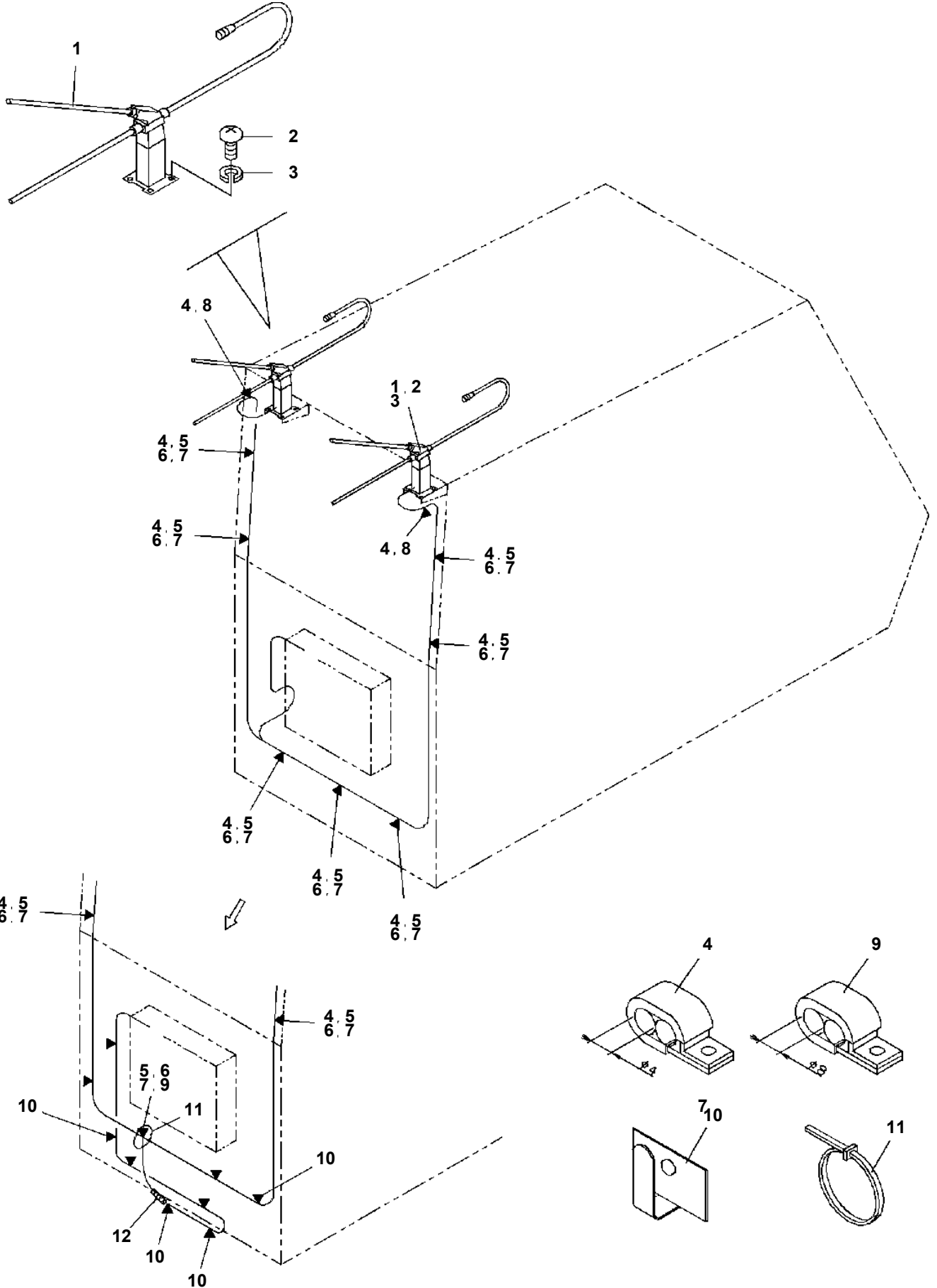
TR-250M-5-00105 4 BOOM + JIB, FLOW CONT., 3M3D
PH1720001-02 CONTROL UNIT, MULTI-DISPLAY (WITH TUNER)



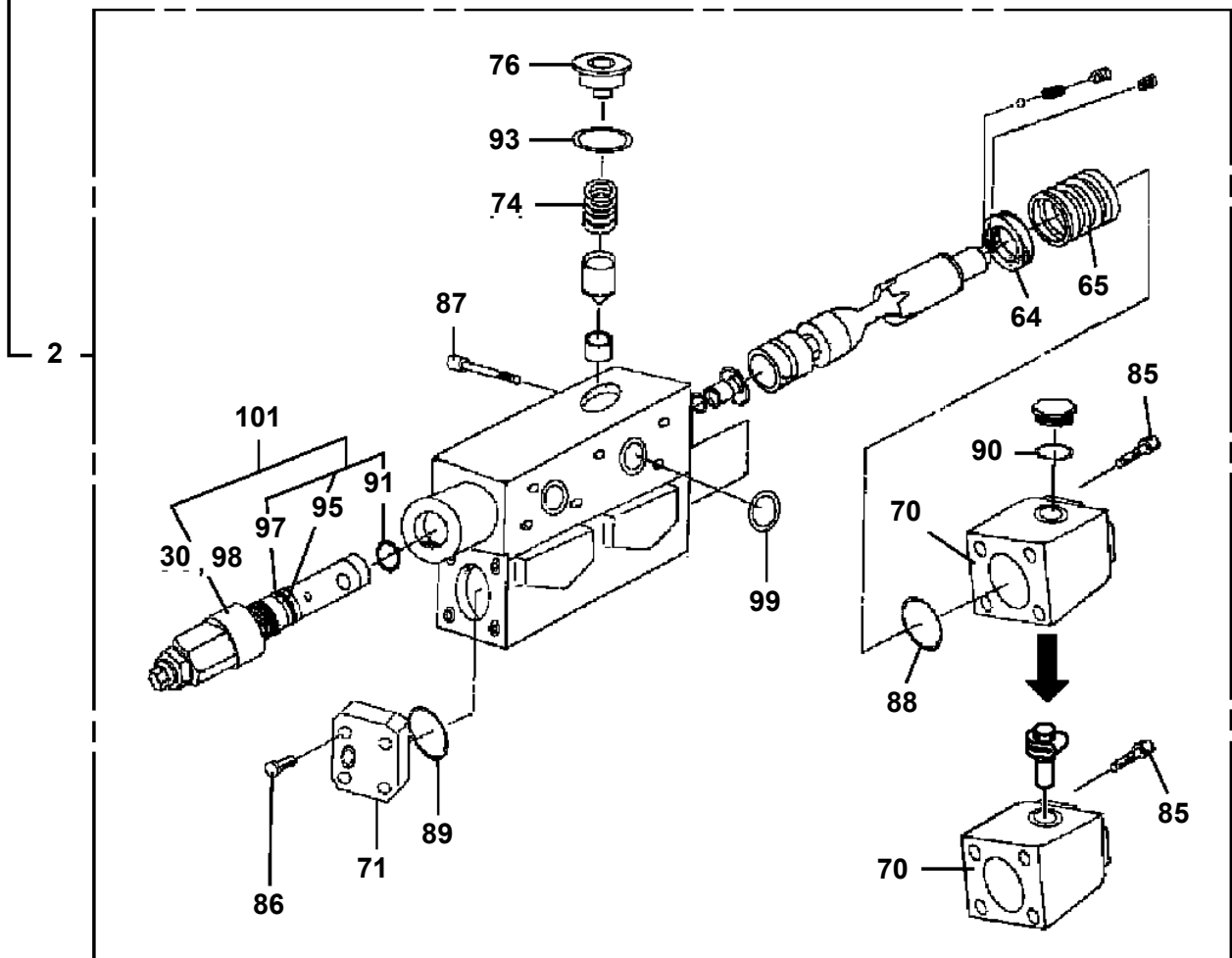
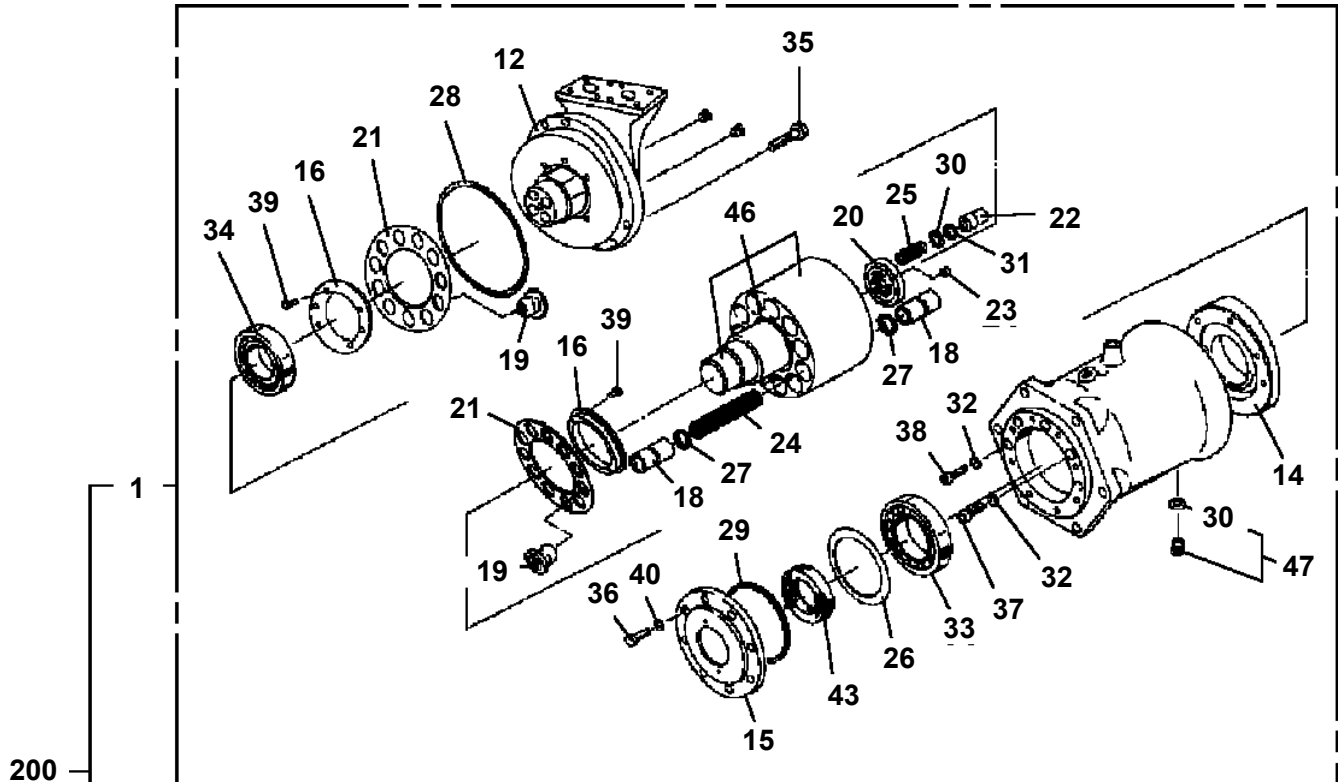
TR-250M-5-00105 4 BOOM + JIB, FLOW CONT., 3M3D
PH1720002-02 CONTROL UNIT, MULTI-DISPLAY (NON-TUNER)



TR-250M-5-00105 4 BOOM + JIB, FLOW CONT., 3M3D
PH1730001-01 ANTENNA, TV (MOUNT)



TR-250M-5-00105 4 BOOM + JIB, FLOW CONT., 3M3D
 PI1010056-03 MOTOR, HYDRAULIC (MAIN)



TR-250M-5-00105 4 BOOM + JIB, FLOW CONT., 3M3D

Pos No.	Parts No	Parts Name	Qty	Unit	Technical Data	Serial No (Start)	Serial No (End)	Rema
1	36661840000	MOTOR, HYDRAULIC (SANWA)	1					
11	36660955010	SHAFT	1					
12	36660955020	BEARING TMB210)	1					
13	36661845020	COVER (OIL SEAL)	1					
15	36660955040	SEAL, OIL	1					
16	91001208500	O-RING	1		1A G85			
17	91001101000	O-RING	2		1A P10			
18	80602110920	RING, RITAINING	1		R92			
19	36660955050	PLATE (CAM)	1					
20	80720113025	PIN, SPRING	1		13X25			
21	90302040801	WASHER, SPRING	2		8			
22	90101508040	BOLT	2		M8X40			
23	36660005140	SPRING	9					
24	80730080018	PIN	2		8X18			
25	36660955070	PLATE (CYLINDER BARREL)	1					
26	36660955060	PLATE (VALVE)	1					
27	80500006206	BEARING, BALL	1					
28	80720110020	PIN, SPRING	1		10X20			
29	14145101021	O-RING	1					
30	36661845011	HOUSING	1					
31	90302041201	WASHER, SPRING	10		12			
32	90131512045	BOLT, HEXAGON SOCKET	10		M12X45			
33	36660955090	COVER (BOTTOM)	1					
36	36660955100	HOLDER, PLUNGER	1					
37	36660955110	BARREL, CYLINDER	1					
41	36660955120	SPRING (CENTER)	1					
42	36660955130	SEAT, SPRING (CENTER)	1					
43	80602110600	RING, RITAINING	1		R60			

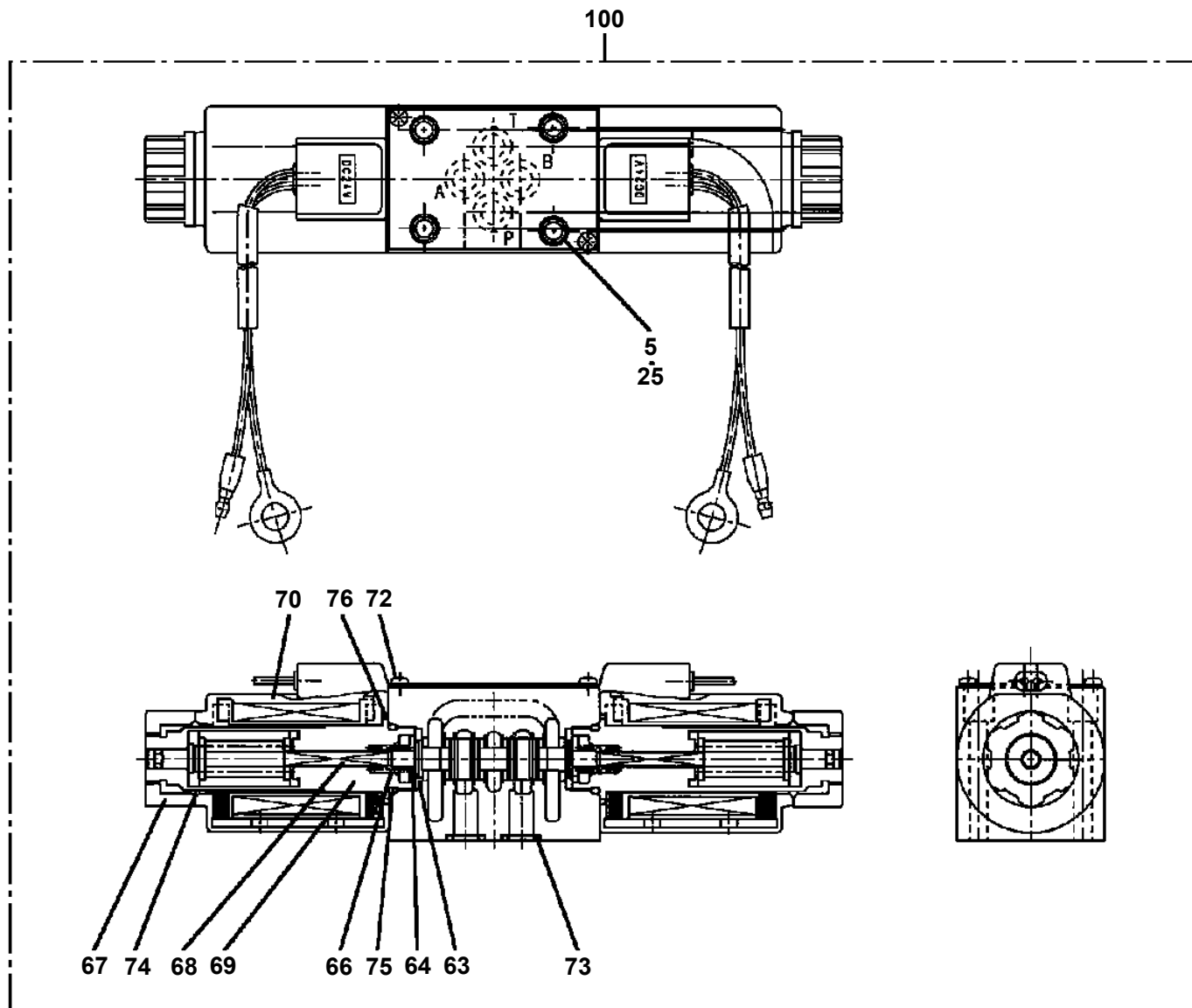
TR-250M-5-00105 4 BOOM + JIB, FLOW CONT., 3M3D

Pos No.	Parts No	Parts Name	Qty	Unit	Technical Data	Serial No (Start)	Serial No (End)	Remarks	Pages
1	36100255010	RESERVOIR	1						
2	36102225020	CAP	1						
3	36102225030	NET	1						
4	36100255020	BAND	1						
30	36100250000	RESERVOIR,OIL	1						

TR-250M-5-00105 4 BOOM + JIB, FLOW CONT., 3M3D

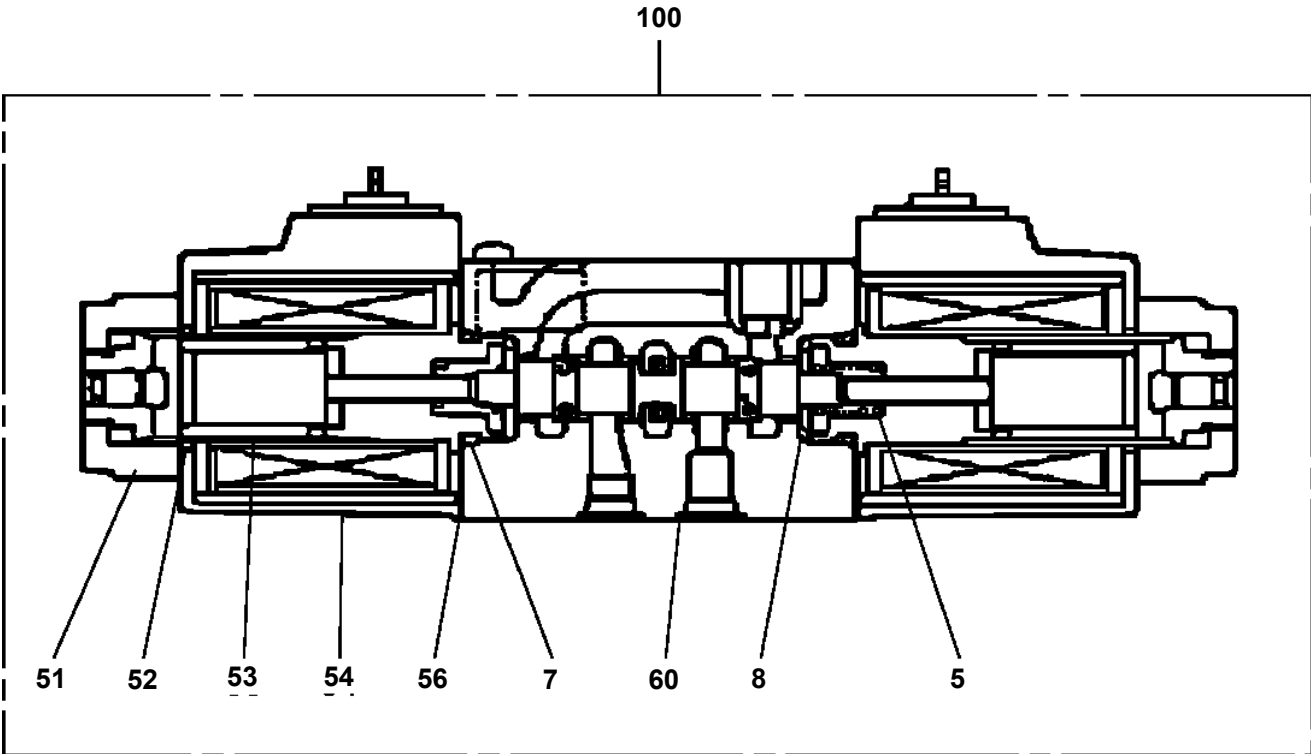
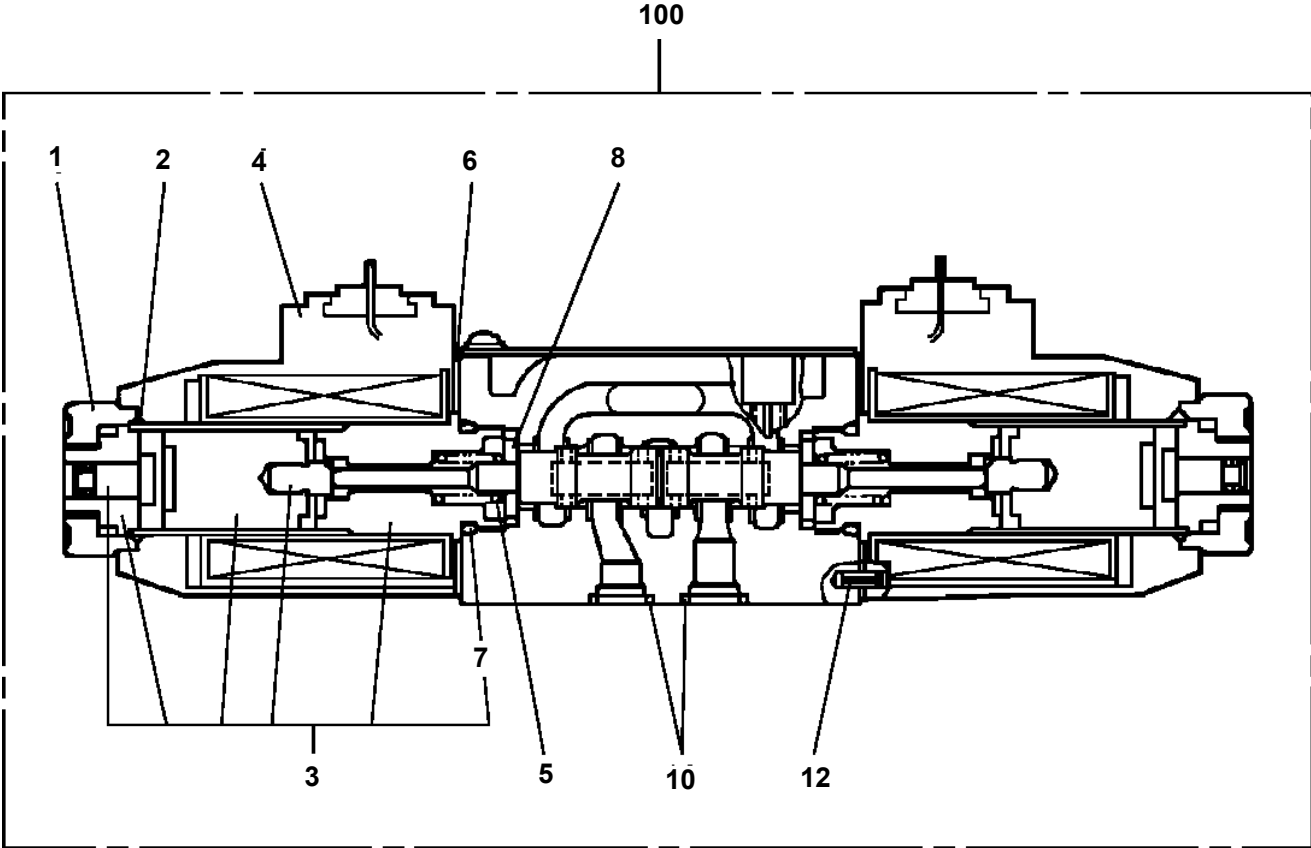
Pos No.	Parts No	Parts Name	Qty	Unit	Technical Data	Serial No (Start)	Serial No (End)	Remarks	Pages
2	36603535010	VALVE,RELIEF	1						
3	36603845010	VALVE,RELIEF	1				FB0623		
7	91002801100	O-RING	1		1B P11				
12	91001101600	O-RING	1		1A P16				
	91001101600	O-RING	1		1A P16		FB0623		
14	12235104180	SPRING	1						
	12235104180	SPRING	1				FB0623		
16	91001101001	O-RING	1		1A P10A				
	91001101001	O-RING	1		1A P10A		FB0623		
17	91002802200	O-RING	1		1B P22		FB0623		
	91002802200	O-RING	1		1B P22		FB0623		
19	12235104210	SPRING	1						
	12235104210	SPRING	1				FB0623		
21	91001100600	O-RING	1		1A P6		FB0623		
	91001100600	O-RING	1		1A P6		FB0623		
50	36603840000	VALVE,RELIEF	1						

TR-250M-5-00105 4 BOOM + JIB, FLOW CONT., 3M3D
PI1120070-05 VALVE, SOLENOID



Ⓐ

TR-250M-5-00105 4 BOOM + JIB, FLOW CONT., 3M3D
PI1120105-02 VALVE, SOLENOID



TR-250M-5-00105 4 BOOM + JIB, FLOW CONT., 3M3D

Pos No.	Parts No	Parts Name	Qty	Unit	Technical Data	Serial No (Start)	Serial No (End)	Remarks	Pages
2	3664555010	VALVE, SOLENOID	1						
4	91002801100	O-RING	2		1B P11				
11	91000501300	O-RING	1		AS568-013				
12	91000501400	O-RING	1		014 1115-70				
13	91000501500	O-RING	1		AS568-015				
14	91002802000	O-RING	1		1B P20				
30	36645550000	VALVE, SOLENOID	1						

TR-250M-5-00105 4 BOOM + JIB, FLOW CONT., 3M3D

Pos No.	Parts No	Parts Name	Qty	Unit	Technical Data	Serial No (Start)	Serial No (End)	Remarks
1	36642765010	NUT	1					
2	91001102100	O-RING	1		1A P21			
3	36642765020	CORE ASSY (SOLENOID)	1					
4	36642765030	COIL, SOLENOID	1					
6	36642765040	PACKING	1					
7	36642765050	O-RING	2					
8	36642765060	WASHER (CENTER)	2					
10	91000501200	O-RING	4					
13	36642765080	SPRING	2					
14	36642765070	PLUG	1					
50	36642760000	VALVE, SOLENOID	1					

TR-250M-5-00105 4 BOOM + JIB, FLOW CONT., 3M3D

Pos No.	Parts No	Parts Name	Qty	Unit	Technical Data	Serial No (Start)	Serial No (End)	Remarks
2	91001101800	O-RING	4		1A P18			
3	36643945010	COVER (SIDE,A)	1					
4	36643945020	COVER (SIDE,B)	1					
7	36641605030	SPRING	2				519378	
	36641605030	SPRING	1			519379		
8	80316030020	PLUG	2		PT1/8			
9	91040101001	O-RING	1		P10A			
10	91411001001	RING, BACKUP	1		P10A			
11	59457138000	PLUG ASSY	1					
12	90131508035	BOLT, HEXAGON SOCKET	4		M8X35			
13	90131508025	BOLT, HEXAGON SOCKET	4		M8X25			
14	36641605040	SEAT, SPRING	1					
15	36641475030	SEAT, SPRING	1					
16	36641885010	SPRING	1			519379		
20	36643940000	VALVE, HYDRAULIC	1					

TR-250M-5-00105 4 BOOM + JIB, FLOW CONT., 3M3D

Pos No.	Parts No	Parts Name	Qty	Unit	Technical Data	Serial No (Start)	Serial No (End)	Remarks
2	36620175020	COVER	1					
4	36620175030	SPRING	2					
5	36620175040	SEAT, SPRING	1					
6	12429108000	RING, STOP	1					
8	36620175060	SPRING	1					
9	91002801800	O-RING	3		1B P18			
10	36620176000	PISTON	1					
11	91001102400	O-RING	1		1A P24			
12	91411002400	RING, BACKUP	2					
13	91002903500	O-RING	1		1B G35			
14	36620176400	CAP	1					
15	90131710028	BOLT, HEXAGON SOCKET	6		M10X28			
16	90302041001	WASHER, SPRING	6		10			
17	91002903000	O-RING	1		1B G30			
19	80302090101	FITTING	1		KCO10-020N			
20	91002801100	O-RING	1		1B P11			
21	80316090060	PLUG	1		KKT PT3/8			
22	80302090241	FITTING	2		KCO18-040N			
23	36620175070	SEAT, SPRING	1					
25	91002902500	O-RING	2		1B G25			
30	36620170001	VALVE, CHECK	1					

TR-250M-5-00105 4 BOOM + JIB, FLOW CONT., 3M3D

Pos No.	Parts No	Parts Name	Qty	Unit	Technical Data	Serial No (Start)	Serial No (End)	Remarks	Pages
2	36624085200	PLUG	3						
4	36621305020	SPRING	3						
5	91002801600	O-RING	3		1B P16				
6	36624455600	SCREW	1						
7	36646127500	PLUG	1						
8	91002801100	O-RING	1		1B P11				
20	36624450000	VALVE,CHECK	1						

TR-250M-5-00105 4 BOOM + JIB, FLOW CONT., 3M3D

Pos No.	Parts No	Parts Name	Qty	Unit	Technical Data	Serial No (Start)	Serial No (End)	Remarks	Pages
3	36623335300	CAP	1						
4	91002801800	O-RING	1		1B P18				
10	36623330000	VALVE, SHUTTLE	1						

CLICK HERE TO **DOWNLOAD** THE COMPLETE MANUAL

- Thank you very much for reading the preview of the manual.
- You can download the complete manual from: www.heydownloads.com by clicking the link below



- Please note: If there is no response to CLICKING the link, please download this PDF first and then click on it.

CLICK HERE TO **DOWNLOAD** THE COMPLETE MANUAL

TR-250M-5-00105 4 BOOM + JIB, FLOW CONT., 3M3D

Pos No.	Parts No	Parts Name	Qty	Unit	Technical Data	Serial No (Start)	Serial No (End)	Remark
1	36603545012	BODY ASSY, VALVE	1			FB4019	FB5795	
	36603545013	BODY ASSY, VALVE	1			FB5796		
2	91001101100	O-RING	1		1A P11			
3	36601125010	RING, BACKUP	1		P11			
4	36601125020	SPRING	1			FB4019		
5	91001101800	O-RING	1		1A P18			
6	36601125050	PLUG	1			FB4019		
7	80316030060	PLUG	1		PT3/8	FB4019		
8	36603545020	SPRING	1			FB4019		
9	36660495120	THROTTLE	1		M4	FB4019		
11	91002801000	O-RING	2		1B P10			
12	36633365090	CAP (CHECK VALVE)	1			FB4019		
13	91001101400	O-RING	1		1A P14			
14	36081315130	PROTECTOR (THREAD)	2			FB4019		
15	80316030020	PLUG	2		PT1/8	FB5796		
50	36603540000	VALVE, COUNTERBALANCE	1					

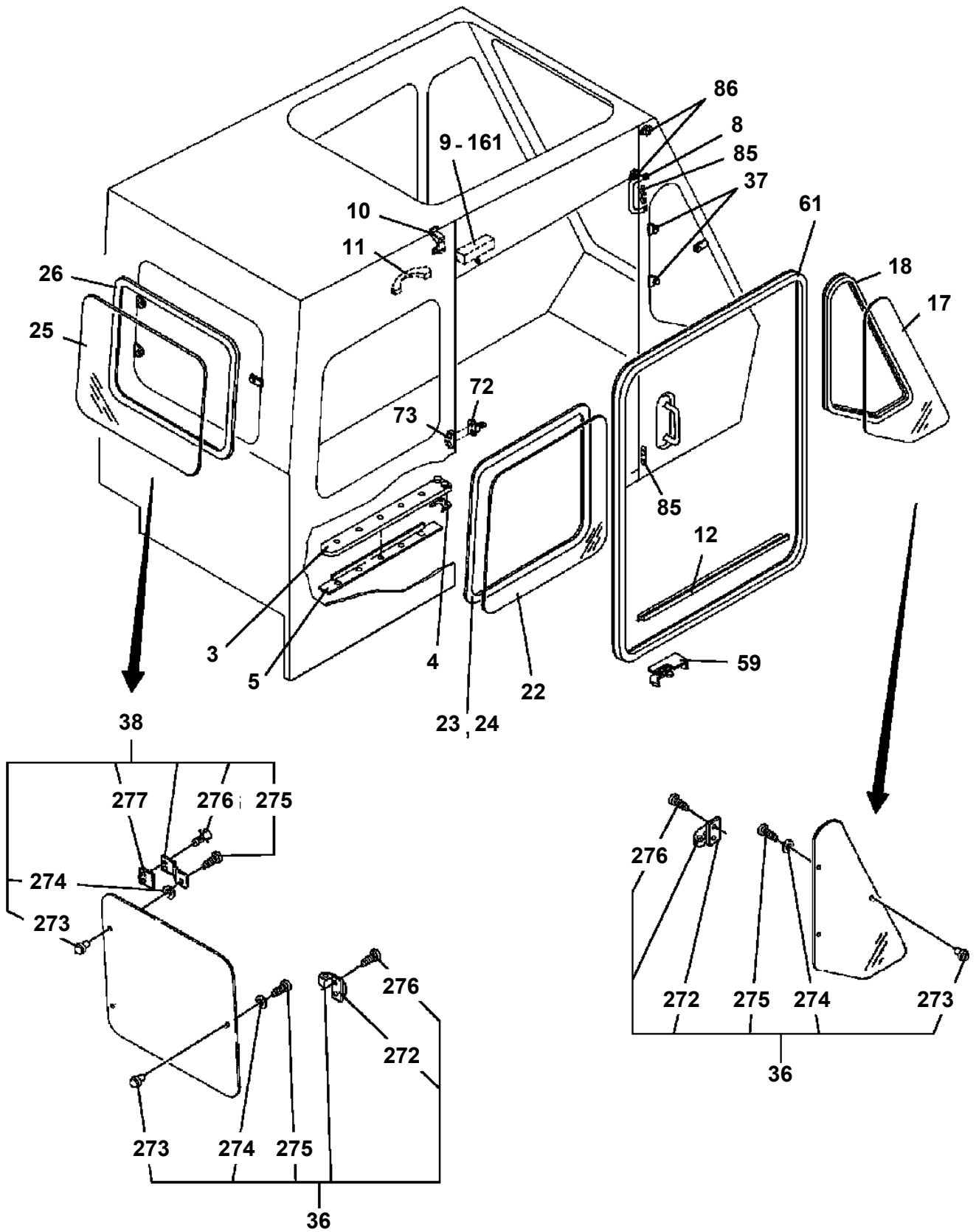
TR-250M-5-00105 4 BOOM + JIB, FLOW CONT., 3M3D

Pos No.	Parts No	Parts Name	Qty	Unit	Technical Data	Serial No (Start)	Serial No (End)	Remarks	Pa
1	36622920000	VALVE,PILOT CHECK	1						
3	36622925010	VALVE,CHECK	1						
14	36622925020	SPRING	1						
15	91002803000	O-RING	1		1B P30				
16	91002803600	O-RING	1		1B P36				
17	91002804200	O-RING	1		1B P42				

TR-250M-5-00105 4 BOOM + JIB, FLOW CONT., 3M3D

Pos No.	Parts No	Parts Name	Qty	Unit	Technical Data	Serial No (Start)	Serial No (End)	Remarks	Pages
1	34620288010	FRAME	1						

TR-250M-5-00105 4 BOOM + JIB,FLOW CONT.,3M3D
PK1140083-06 CAB,OPERATOR



TR-250M-5-00105 4 BOOM + JIB, FLOW CONT., 3M3D

Pos No.	Parts No	Parts Name	Qty	Unit	Technical Data	Serial No (Start)	Serial No (End)	Rema
2	34250687510	SEAT ASSY	1					
3	34250687520	ADJUSTER	1					
4	34250687530	HEIGHT ADJUSTER	1					
5	34250687580	HEADREST ASSY	1					
6	34250687590	BACK ASSY	1					
7	34250687600	CUSHION ASSY	1					
8	34250687540	ARMREST (R)	1					
9	34250687550	ARMREST (L)	1					
10	34430077580	BUSH	2					
11	90302040801	WASHER, SPRING	2		8			
12	34430077590	BOLT	2					
13	34430077600	LEVER (SHOLDER SUPPORT)	1					
14	33250597560	BOLT (WITH WASHER)	2					
15	34430077610	BUSH	1					
16	34430077620	NUT, CAP	1		M8XP1.25			
17	34430077630	BOLT	4		M8X1.25			
18	34250687610	PLATE (SPACER)	2					
19	34250687620	PLATE (STOPPER)	2					
20	34430077640	NUT	4		M8X1.25			
21	34430077650	COVER	1		T=0.03			
31	34250687570	ADJUSTER (RECLINING)	1					
50	34250680100	SEAT, OPERATOR (MAIN)	1					

TR-250M-5-00105 4 BOOM + JIB, FLOW CONT., 3M3D

Pos No.	Parts No	Parts Name	Qty	Unit	Technical Data	Serial No (Start)	Serial No (End)
74	90101208014	BOLT	1		M8X14		
75	90302040801	WASHER, SPRING	1		8		
81	34320902250	END	1				
82	90264201000	NUT	1		M10		
85	34320902300	ROD	1				
86	37000137000	PIN	1				
92	80804020010	BEARING, PLAIN	2				
101	34320623300	ROD	1				
102	34320060400	END	2				
103	37000105730	PIN	2				
111	34320904500	KNOB (BLACK)	1				
112	34320762000	ROD	1				
113	90710006060	SCREW, SET	1		M6X6		
114	90203501200	NUT	1		M12		
115	32320110250	NUT (BLACK)	1				
116	33320001450	SLEEVE	1				
117	34320762100	LEVER	1				
119	82100002261	CONNECTOR (2POLES, MALE)	1				
121	82100002256	TERMINAL	2				
122	82100001033	SWITCH, PUSH	1				
133	80801002015	BEARING, PLAIN	2				
141	91002801400	O-RING	2		1B P14		

TR-250M-5-00105 4 BOOM + JIB, FLOW CONT., 3M3D

Pos No.	Parts No	Parts Name	Qty	Unit	Technical Data	Serial No (Start)	Serial No (End)	Remarks	P
1	34476752500	LEVER	1						
2	34320835500	SUPPORT	2						
3	90101208014	BOLT	8		M8X14				
4	90302040801	WASHER, SPRING	13		8				
5	34476752600	ROD ASSY	1						
6	34476752300	ROD ASSY	1						
7	36634940000	VALVE, CONTROL	1						0
8	90101210028	BOLT	2		M10X28				
9	90302041001	WASHER, SPRING	4		10				
10	34476752200	SUPPORT	1				519822		
	34321062100	SUPPORT	1			519823			
11	90101210040	BOLT	2		M10X40				
12	80441010904	FITTING (WITH O-RING)	1		S G1/4-12.7				
13	36672030000	FILTER (NIPPLE TYPE)	1				FB1610		
	36672460000	FILTER (NIPPLE TYPE)	1			FB1611			
14	89640101000	HOSE	1		880-NFK,1M				
15	37002447160	HOSE	2		L=950				
16	37002443660	HOSE	1		L=1470				
17	82100002009	CLAMP	1		WRC12				
18	91810130250	FASTENER	6						
19	80471020502	JOINT	1						
20	91002801100	O-RING	3		1B P11				
21	80430620400	JOINT	1						
22	34342366950	SUPPORT	1						
23	80400160127	JOINT	2						
24	34321083000	PEDAL ASSY	1						
25	90101208020	BOLT	5		M8X20				
26	34321083500	LEVER ASSY	1						
27	37000527020	PLATE	1						
28	37000105730	PIN	2						
29	90303070801	WASHER, PLAIN	2		8				
30	80136320016	PIN, SPLIT	2		2X16				
31	90201201000	NUT	2		M10	519823			
41	34476752700	END	1						
42	90303070801	WASHER, PLAIN	5		8				
43	80136320016	PIN, SPLIT	4		2X16				
44	37000105730	PIN	3						
51	34320902250	END	1						
52	90264201000	NUT	1		M10				
53	37001503680	BOLT	1						
54	90291201000	NUT	1						
55	34476752400	ROD	1						
56	37000137000	PIN	1						
71	91002801100	O-RING	3		1B P11				
82	90303101601	WASHER, PLAIN	1		16				
83	80136332028	PIN, SPLIT	1		3.2X28				
84	34321083100	PEDAL	1						
91	80804016010	BEARING, PLAIN	2						

TR-250M-5-00105 4 BOOM + JIB, FLOW CONT., 3M3D

Pos No.	Parts No	Parts Name	Qty	Unit	Technical Data	Serial No (Start)	Serial No (End)	Remarks	P
1	34320903400	BOX	1						
2	34320900500	PLATE	1						
3	34320900601	SUPPORT	1						
4	34320900700	LEVER	1						
5	34320900800	RATCHET	1						
6	34320900900	GEAR	1						
7	34320903200	COVER	1						
8	34320901100	ROD	1						
9	34320901200	COVER	1						
10	34320901300	SUPPORT	1						
11	34320901401	SHAFT	2						
12	80182306030	SCREW, MACHINE	1		M6X30				
13	90201200600	NUT	1		M6				
14	82100002623	SWITCH, LIMIT	1						
15	80176404012	SCREW, MACHINE	8		M4X12				
16	90305260401	WASHER	8		4				
17	34320901450	COVER	1						
18	90201200800	NUT	1		M8				
19	90101208014	BOLT	3		M8X14				
20	90302040801	WASHER, SPRING	10		8				
21	19214024000	SPRING	1						
22	37000115010	PIN	1						
23	19114411000	SPRING	1						
24	80601110160	RING, RITAINING	2		16				
25	90101208025	BOLT	3		M8X25				
26	37000109680	PIN	2						
27	80136316012	PIN, SPLIT	2		1.6X12				
28	90101208020	BOLT	4		M8X20				
29	37002443640	HOSE	1		L=1040				
30	37002443730	HOSE	1		L=1000				
31	80400160127	JOINT	5						
32	91002801100	O-RING	5		1B P11				
33	37002443700	HOSE	2		L=1880				
34	37002443680	HOSE	2		L=1870				
35	90101206010	BOLT	1		M6X1.0				
36	90302040601	WASHER, SPRING	1		6				
37	82100002033	CLAMP	1						
38	34320763000	CAP	2				518899		
39	34320762900	KNOB	2				518899		
40	34320762400	KNOB	2				518899		
41	34320762800	SOLENOID	2						
42	90203501200	NUT	4		M12				
43	36634920000	VALVE, CONTROL	1						
44	36672030000	FILTER (NIPPLE TYPE)	1						
45	82100002283	CONNECTOR	2						
46	82100002256	TERMINAL	4						
47	82100002656	PLUG	2						
48	37000520500	PLATE	2		T=0.5				
49	37002510460	HOSE	1		L=15				
50	34320903800	CAP	2						
51	34320903900	KNOB	2						
52	34320904000	KNOB	2						
60	34320908090	KNOB ASSY	2						
73	80801001615	BEARING, PLAIN	4						
84	91002801100	O-RING	1		1B P11				

TR-250M-5-00105 4 BOOM + JIB, FLOW CONT., 3M3D

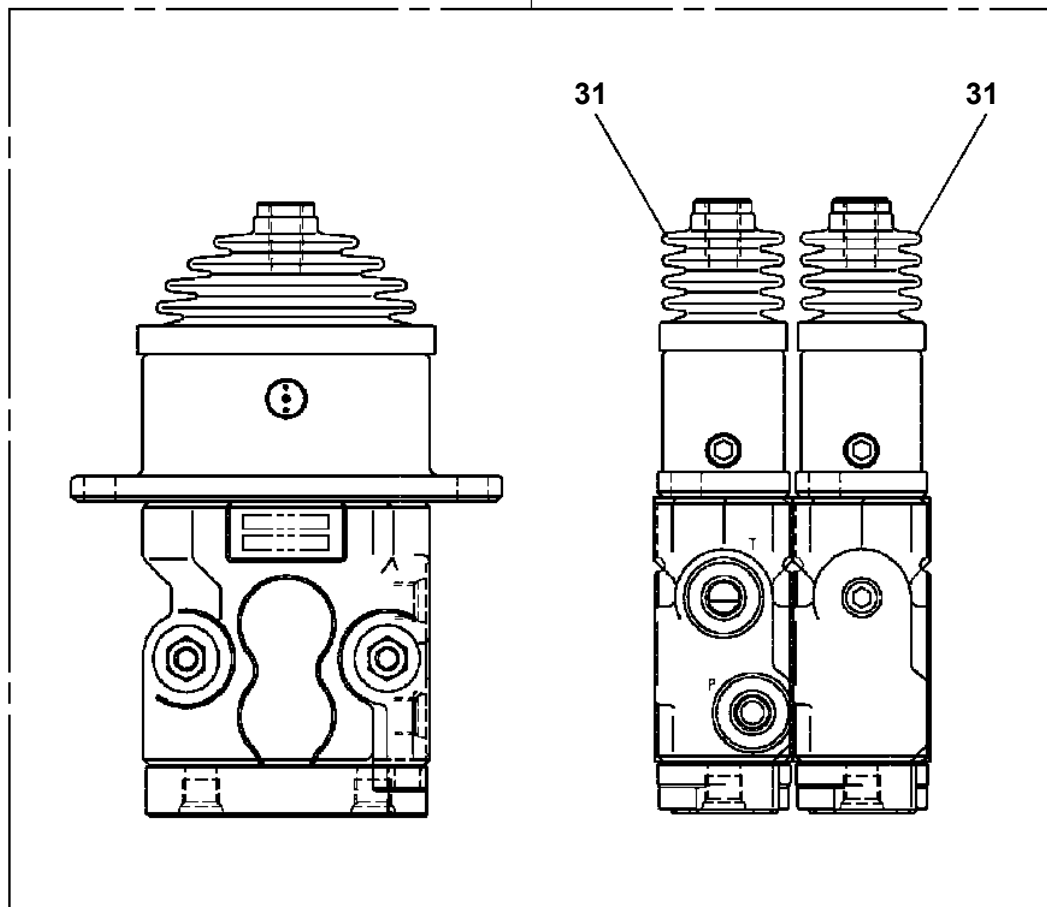
Pos No.	Parts No	Parts Name	Qty	Unit	Technical Data	Serial No (Start)	Serial No (End)	Remarks	P
1	34321065100	BOX ASSY	1						
2	34320901200	COVER	1						
3	34320901300	SUPPORT	1						
4	34320901401	SHAFT	2						
5	34321064150	SWITCH ASSY	1						
6	80176404012	SCREW, MACHINE	4		M4X12				
7	90305260401	WASHER	4		4				
8	90201200800	NUT	1		M8				
9	90302040801	WASHER, SPRING	4		8				
10	90101208020	BOLT	4		M8X20				
11	37002445890	HOSE	1		L=1500				
12	37002443750	HOSE	1		L=1440				
13	80400160127	JOINT	5						
14	91002801100	O-RING	5		1B P11				
15	37002443710	HOSE	2		L=2200				
16	37002443690	HOSE	2		L=2190				
17	90101206010	BOLT	1		M6X1.0				
18	90302040601	WASHER, SPRING	1		6				
19	82100002002	CLAMP	1		WR6				
20	82100002737	CABLE	1						
21	90203501200	NUT	4		M12				
22	36634920000	VALVE, CONTROL	1						
23	36672030000	FILTER (NIPPLE TYPE)	1			FB1611	FB1610		
	36672460000	FILTER (NIPPLE TYPE)	1						
24	82100002283	CONNECTOR	1						
25	82100002256	TERMINAL	2						
26	82100002656	PLUG	1						
27	37002510460	HOSE	1		L=15				
28	34320904200	KNOB (RED)	1						
29	82100001033	SWITCH, PUSH	1						
30	34320904300	KNOB	1						
41	34321064300	BOX	1						
42	34321064400	COVER	1						
43	34321064500	SUPPORT	1						
44	34321064600	LEVER	1						
45	34320900800	RATCHET	1						
46	34320904100	GEAR	1						
47	34320903200	COVER	1						
48	34321064700	ROD	1						
49	19114411000	SPRING	1						
50	80601110160	RING, RITAINING	3		16				
51	90101208025	BOLT	3		M8X25				
52	80182306030	SCREW, MACHINE	1		M6X30				
53	90201200600	NUT	1		M6				
54	34321067510	RING, GRIP	2						
55	80176405012	SCREW, MACHINE	6		M5X12				
56	90305260501	WASHER	6		B1-5				
57	34321065300	COVER	1						
58	90302040801	WASHER, SPRING	3		8				
59	19214024000	SPRING	1						
60	80176404012	SCREW, MACHINE	4		M4X12				
61	90305260401	WASHER	4		4				
74	91002801100	O-RING	1		1B P11				
100	34320908120	KNOB ASSY	1						
101	34320908110	KNOB ASSY (SWING)	1						

TR-250M-5-00105 4 BOOM + JIB, FLOW CONT., 3M3D

Pos No.	Parts No	Parts Name	Qty	Unit	Technical Data	Serial No (Start)	Serial No (End)	Remarks
1	90101706016	BOLT	3		M6X16			
2	90201200600	NUT	3		M6			
3	90302040601	WASHER, SPRING	5		6			
4	34710612300	LEVER	1					
5	34710612200	LINK	1					
6	56444812000	BOLT	1					
7	90303070601	WASHER, PLAIN	8		6		FB0422	
	90303070601	WASHER, PLAIN	9		6	FB0423		
8	80136320010	PIN, SPLIT	5		2X10			
9	34710730300	PLATE	4				FB0503	
10	59440015000	NUT	4		M26			
11	59440017000	CYLINDER, AIR	2					
12	90102206035	BOLT	1		M6X35			
13	80172304025	SCREW, MACHINE	2		M4X25			
14	90302040401	WASHER, SPRING	2		4			
15	90303070401	WASHER, PLAIN	2		4			
16	34710610301	ROD ASSY	1					
17	34710610501	SUPPORT	1					
18	36062040000	CYLINDER, AIR	1				519139	
	36062040001	CYLINDER, AIR	1			519140		
19	34710610450	BOLT	1					
20	90302041001	WASHER, SPRING	9		10			
21	90303071001	WASHER, PLAIN	2		10			
22	90201201000	NUT	1		M10			
23	37000105250	PIN	2					
24	34710610460	SUPPORT	1					
25	90101208016	BOLT	2		M8X16			
26	90302040801	WASHER, SPRING	10		8			
27	90303070801	WASHER, PLAIN	2		8			
28	90201200800	NUT	6		M8			
29	34710610800	SUPPORT	1					
30	37001300010	SPRING	1					
31	34710850400	LEVER	1					
32	90131508022	BOLT, HEXAGON SOCKET	4		M8X22			
33	37000101470	PIN	1				518978	
	37000157770	PIN	1			518979		
34	34710611000	LEVER	1					
35	90303071601	WASHER, PLAIN	2		16			
36	34710611100	LEVER	1					
37	90201201200	NUT	1		M12			
38	90302041201	WASHER, SPRING	1		12			
39	90303071201	WASHER, PLAIN	1		12			
40	90101210025	BOLT	4		M10X25			
41	34710612100	SUPPORT	1					
42	34710611300	SUPPORT	1					
43	90101206012	BOLT	2		M6X12			
44	80182306040	SCREW, MACHINE	1					
45	90101206025	BOLT	1		M6X25			
46	90101208025	BOLT	2		M8X25			
47	90101210030	BOLT	2		M10X30			
48	34710850300	LEVER	1					
49	59140005000	PIN	1				FB0422	
	37000105720	PIN	1			FB0423		
50	34710850100	SUPPORT	1					
51	34710850200	LEVER	1					
52	90102208030	BOLT	1		M8X30			
53	36870210000	VALVE, AIR	1					
64	80804014015	BEARING, PLAIN	2					
71	90201200800	NUT	4		M8			
72	90302040801	WASHER, SPRING	2		8			
73	80565000082	END	1					
74	90291200800	NUT	1		M8			
76	80565000081	END	1					

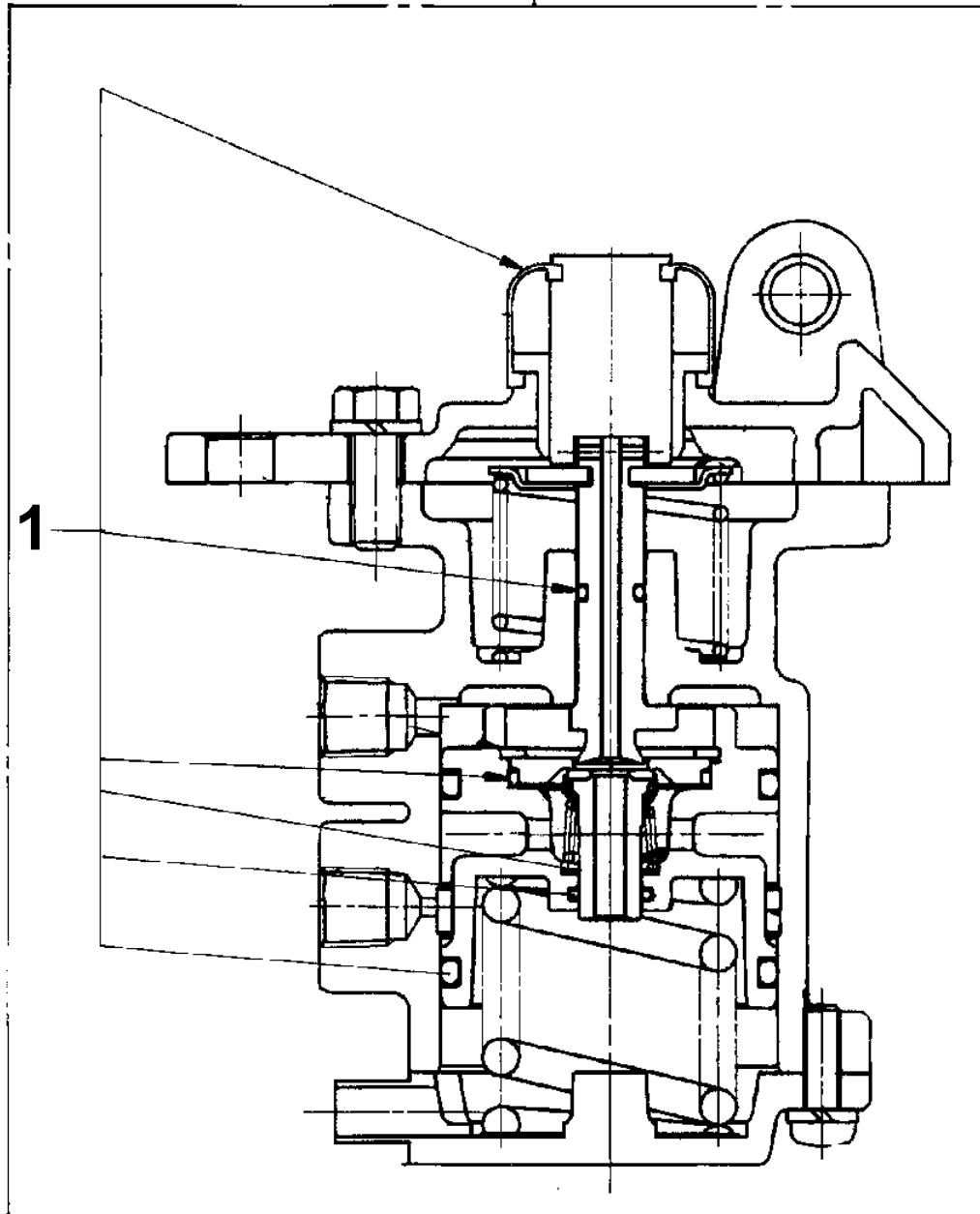
TR-250M-5-00105 4 BOOM + JIB,FLOW CONT.,3M3D
PL1250001-03 VALVE,CONTROL

50



TR-250M-5-00105 4 BOOM + JIB, FLOW CONT., 3M3D
PL1290005-01 VALVE, ACCELERATOR (UPPER)

30



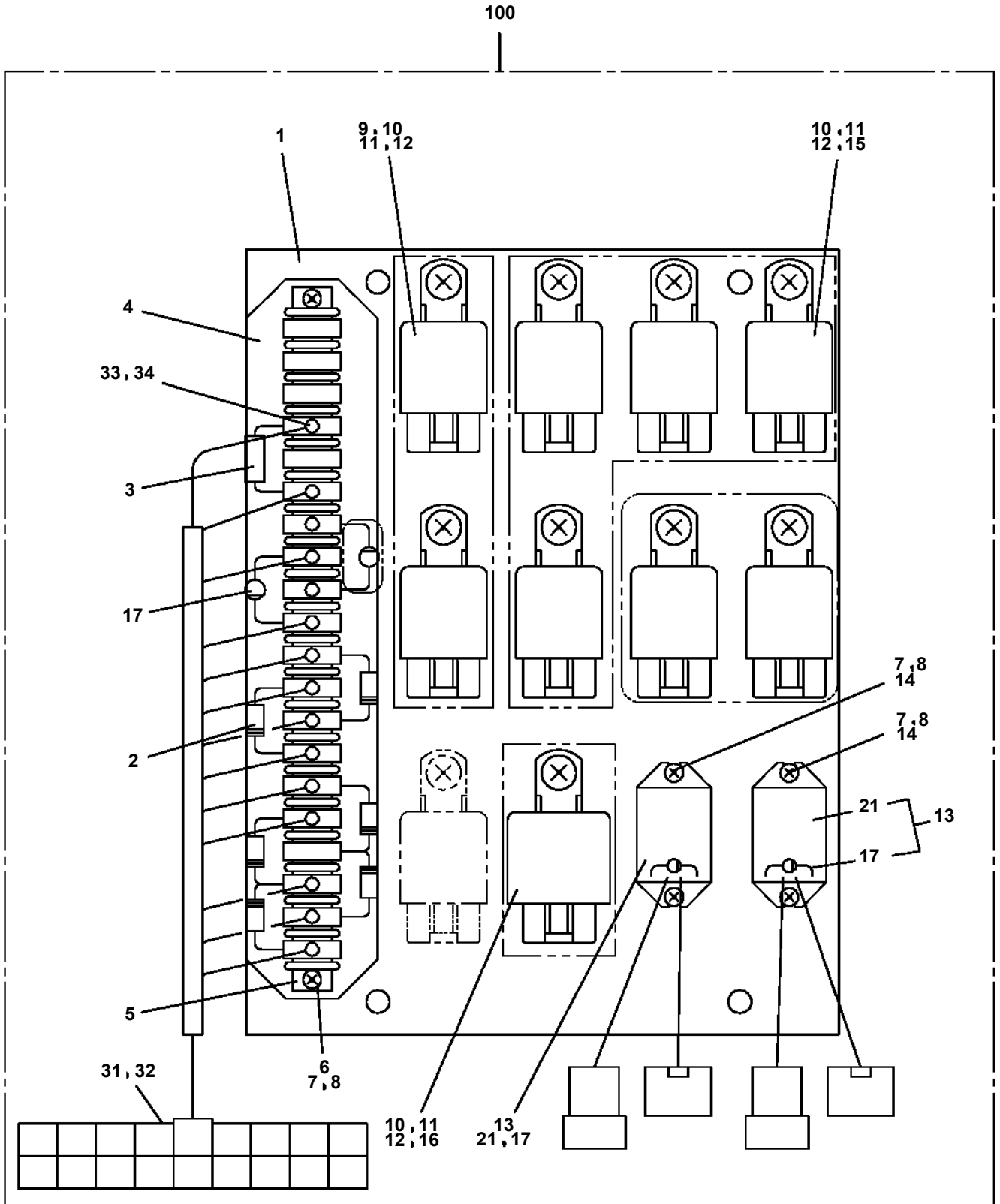
TR-250M-5-00105 4 BOOM + JIB, FLOW CONT., 3M3D

Pos No.	Parts No	Parts Name	Qty	Unit	Technical Data	Serial No (Start)	Serial No (End)
116	90101208014	BOLT	6		M8X14		
119	90101208020	BOLT	2		M8X20		
120	82100002014	CLAMP	1		WR20		
123	82100002018	CLAMP	1		WR35		
124	90101206012	BOLT	2		M6X12		
125	80172304012	SCREW, MACHINE	2		M4X12		
133	34930097650	LENS (RED)	2				
134	34930097660	LENS (ORANGE)	2				
138	34930097670	BULB, LAMP	2		24V 21/5W		
139	34930097680	BULB, LAMP	2		24V 21W		
140	34930097690	BULB, LAMP	2		24V 3W		
161	34930097800	REFLECTOR (REAR SIDE)	2				
171	82100000783	BULB, LAMP	1		24V 12W		
181	34930097700	LENS (TURN LAMP RIGHT)	1				
185	34930097630	BULB, LAMP	4		24V 25W		
191	34930097620	LENS (TURN LAMP LEFT)	1				
196	34930097640	BULB, LAMP	2		24V 10/4W		
201	34930097510	LAMP ASSY (WITH MOUNT. PARTS)	2		24V 55W		FB2713
202	34930097520	LAMP ASSY (WITH MOUNT. PARTS)	2		24V 50/65W		FB2713
206	34930097580	SCREW (ADJUSTING)	12				FB2713
207	34930097590	SPRING	12				FB2713
208	34930097600	HOLDER (SRPING)	12				FB2713
209	34930097610	NUT (SPECIAL)	12				FB2713
221	34930097530	LAMP	2		24V 55W		FB2713
222	34930097540	RING (MOUNTING)	4				FB2713
223	34930097550	RETAINER	4				FB2713
224	34930097560	SCREW, TAPPING	16				FB2713
231	34930097570	LAMP	2		24V 50/65W		FB2713
252	82100001348	FUSE	2		15A, 6.5X30		
253	82100001193	FUSE	1		20A, 6.5X30		
261	36360592010	RELAY, SAFETY	1				
262	36360012080	RELAY (HEATER)	1				
273	82100000057	BULB, LAMP	1		24V 25W		
292	82100002845	LENS	1				
304	34930097770	SHADE ASSY (RIGHT)	1				
314	34930097780	SHADE ASSY (LEFT)	1				
321	36360592020	SENSOR, SPEED (TACHOMETER)	1				FB0891
	36360592021	SENSOR, SPEED (TACHOMETER)	1			FB0892	
331	36700192011	CONTROLLER (RETARDER)	1				519119
	36700192012	CONTROLLER (RETARDER)	1			519120	519435
	36700192013	CONTROLLER (RETARDER)	1			519436	519738
	36700192014	CONTROLLER (RETARDER)	1			519739	
341	34930397580	RING, RETAINING	4			FB2714	
351	34930577510	LAMP ASSY (NO.1)	2		24V 70W	FB2714	
352	34930577520	LAMP ASSY (NO.2)	2		24V 75/70W	FB2714	
353	34930397590	BOLT SET	4			FB2714	
381	34460747120	BULB, LAMP	2		24V 70W	FB2714	
391	34460747110	BULB, LAMP	2		24V 70/75W	FB2714	
404	19212218000	GROMMET	2	M			
411	34930201200	BOX	1				519135
	34930201201	BOX	1			519136	
423	91062014011	O-RING	1		1B		
424	37000930610	ADAPTER	1				
425	91067101600	O-RING	1		P16		

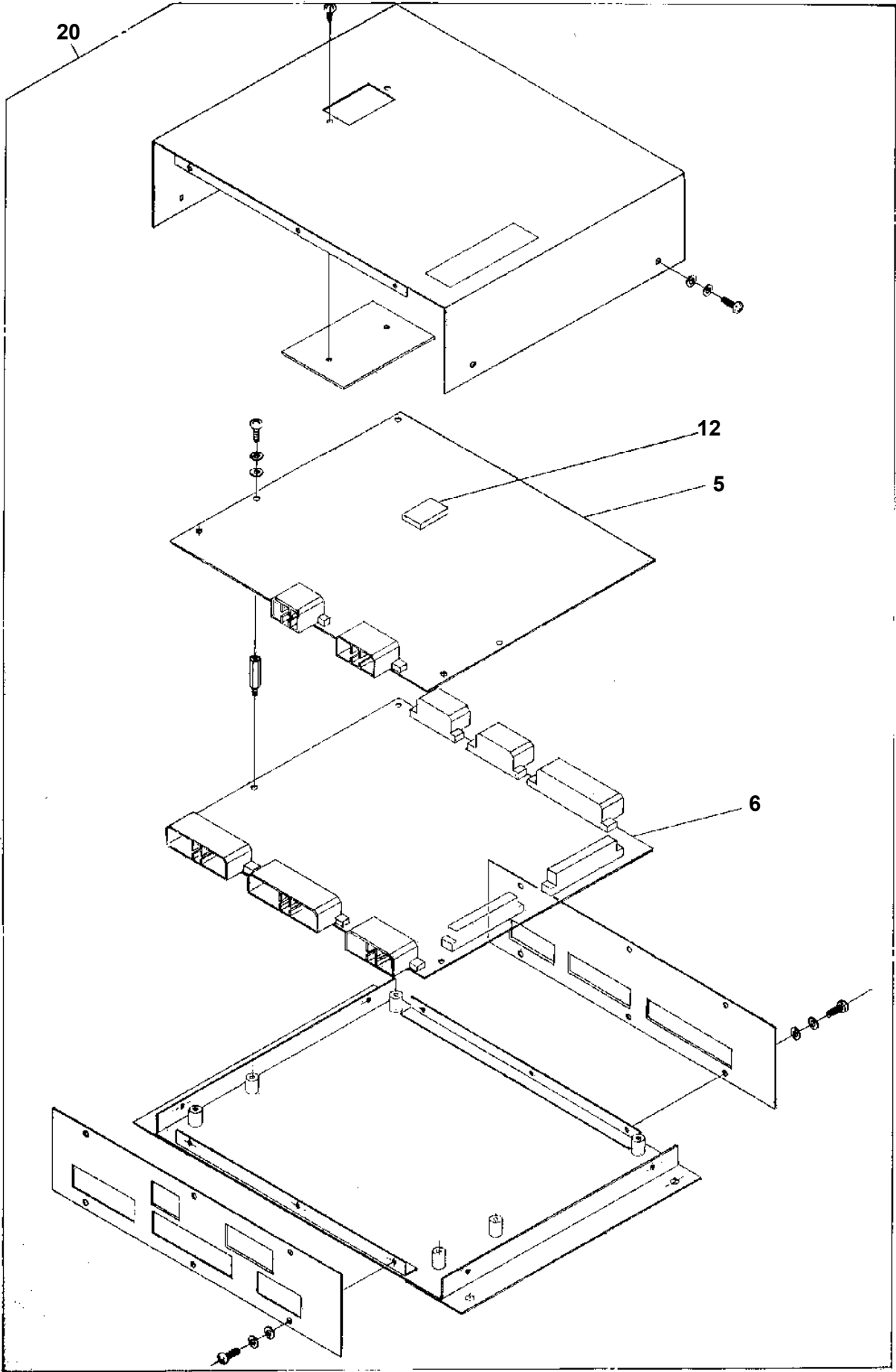
TR-250M-5-00105 4 BOOM + JIB, FLOW CONT., 3M3D

Pos No.	Parts No	Parts Name	Qty	Unit	Technical Data	Serial No (Start)	Serial No (End)	Rem
1	34731017510	BOX ASSY	1					
2	34731047520	PANEL	1					
4	82100001696	SWITCH, TOGGLE	2					
5	82100001683	SWITCH, TOGGLE	1					
6	34731047530	SWITCH, PUSH (KNOB-BLACK)	5					
7	34731047540	LAMP, PILOT	1					
11	34731047570	DIODE	4					
12	34731047580	DIODE	1					
13	34731047590	SPACER	2					
14	34731047550	CABLE ASSY	1					
15	34731047560	GROMMET	1					
21	34731017570	COVER (FRONT)	1					
22	34731017580	HINGE	2					
23	34731017590	CATCH	1					
50	34731042000	SWITCH PANEL (OUTRIGGER)	1					

TR-250M-5-00105 4 BOOM + JIB, FLOW CONT., 3M3D
 PN1110136-03 RELAY ASSY (LOWER)

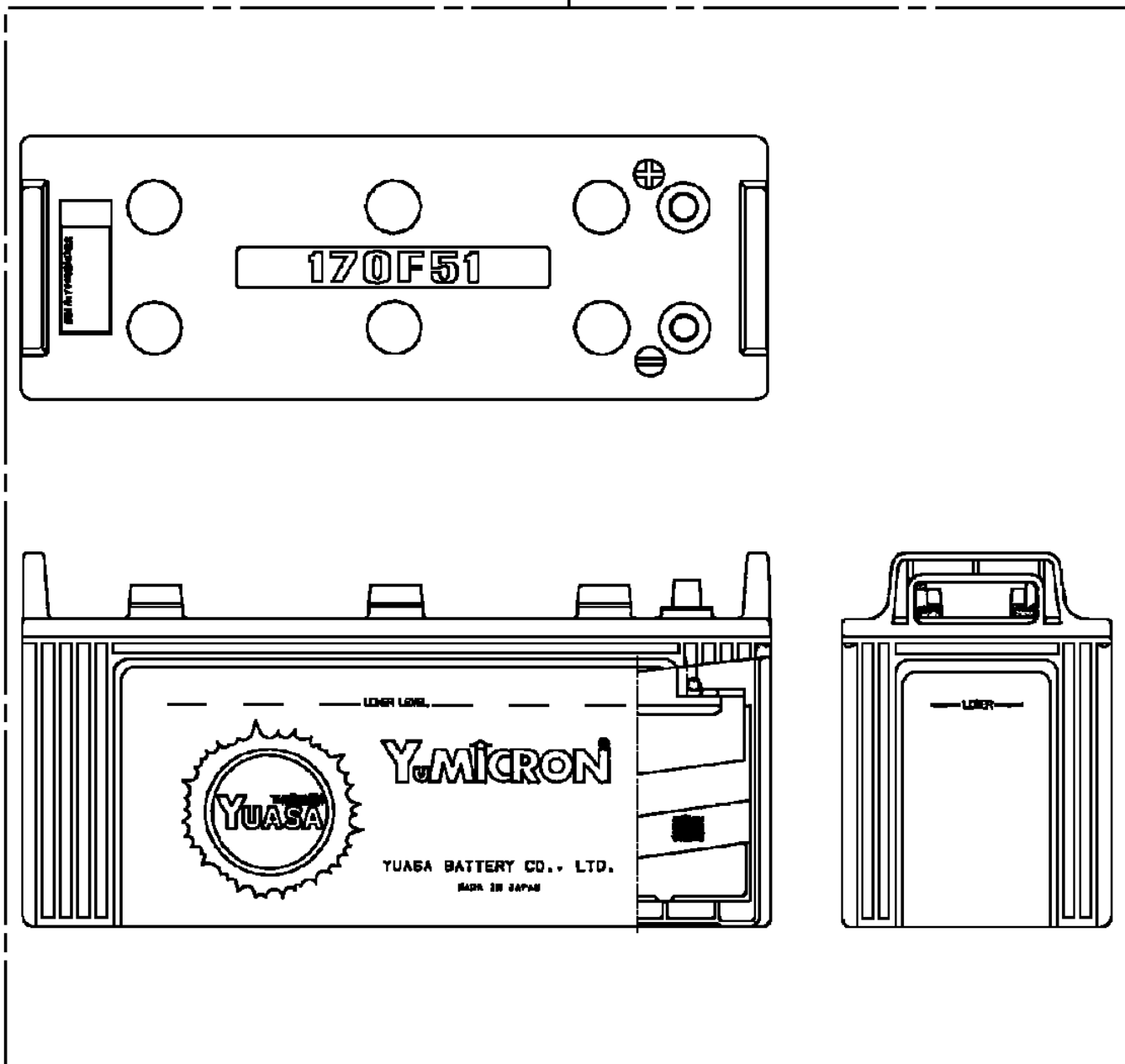


TR-250M-5-00105 4 BOOM + JIB, FLOW CONT., 3M3D
PN1200008-00 TRANSMITTER, MULTI. DATA (UPPER)

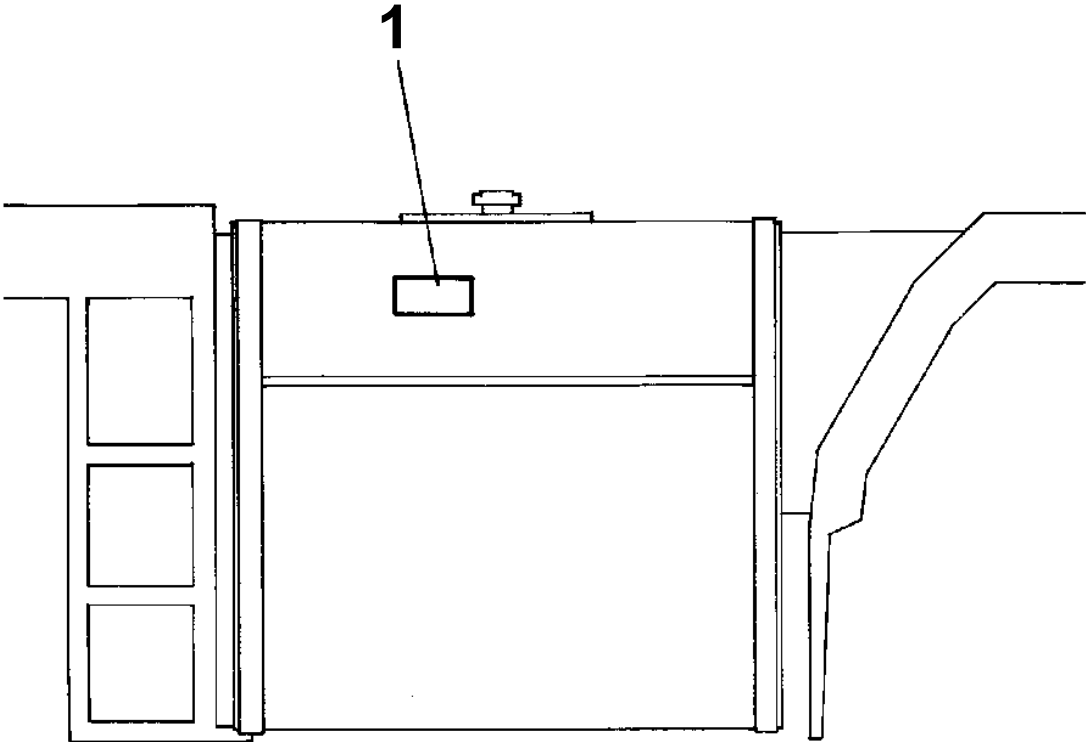


TR-250M-5-00105 4 BOOM + JIB, FLOW CONT., 3M3D
PN1370121-00 BATTERY (YUASA, 170F51)

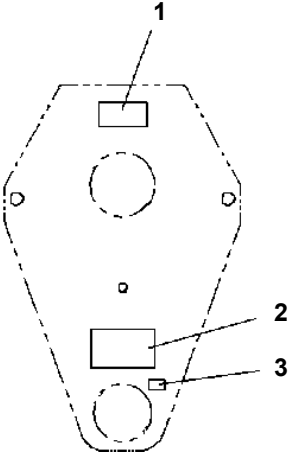
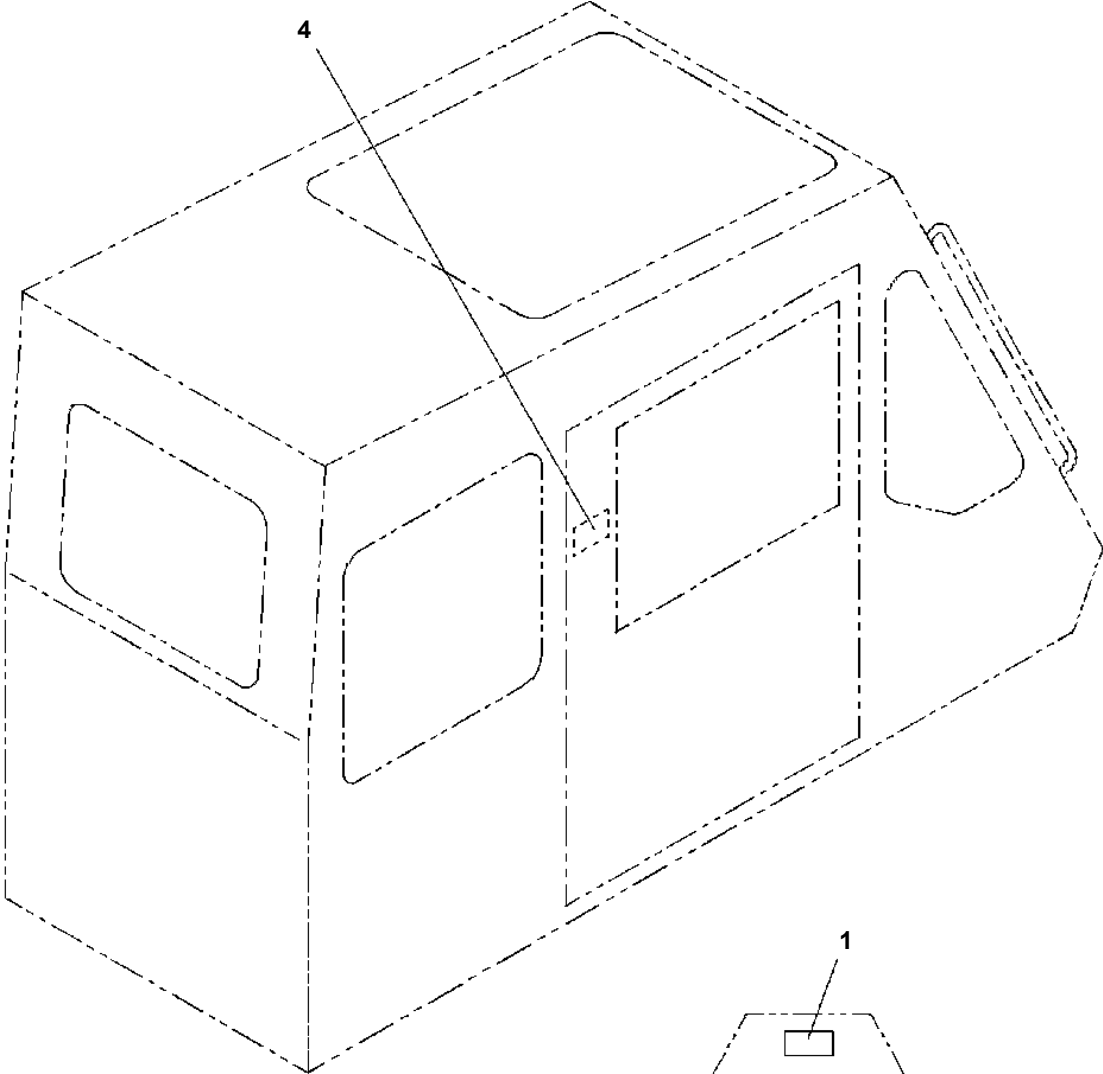
1



TR-250M-5-00105 4 BOOM + JIB, FLOW CONT., 3M3D
PO1010157-01 PLATE ASSY, NAME (OIL)

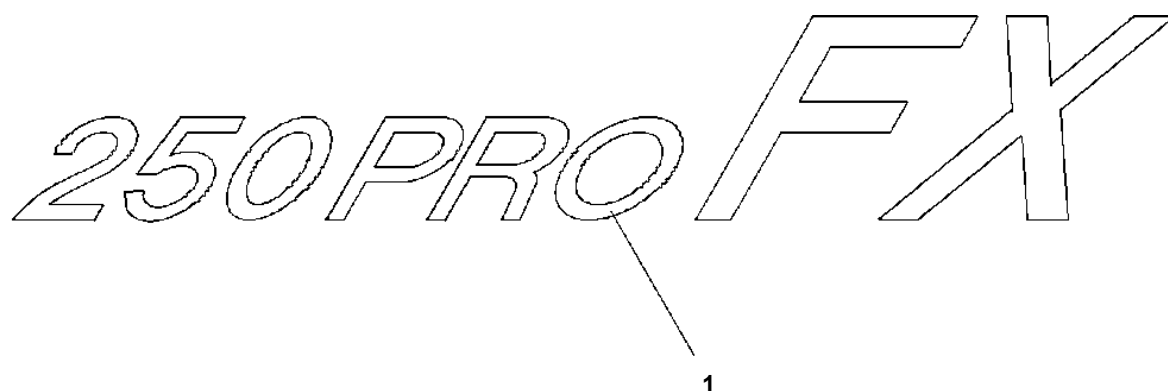


TR-250M-5-00105 4 BOOM + JIB, FLOW CONT., 3M3D
PO1011243-00 PLATE ASSY, NAME (6TON, OPTION)



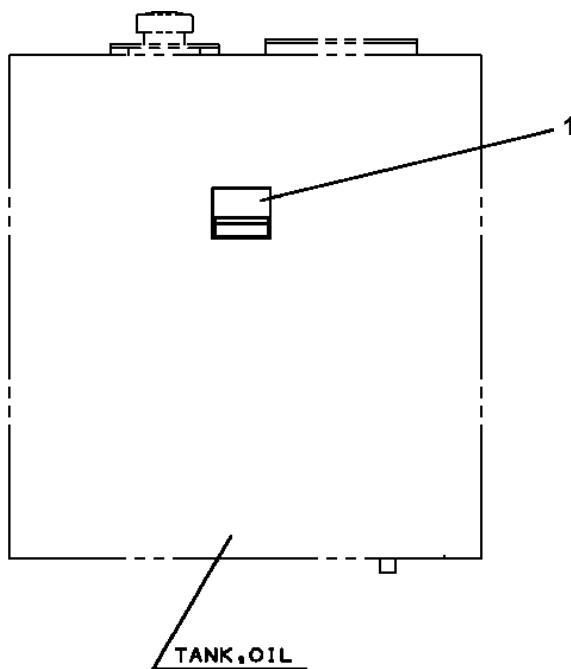
TR-250M-5-00105 4 BOOM + JIB, FLOW CONT., 3M3D
PO1011726-00 PLATE, INDICATION

250 PRO FX




1

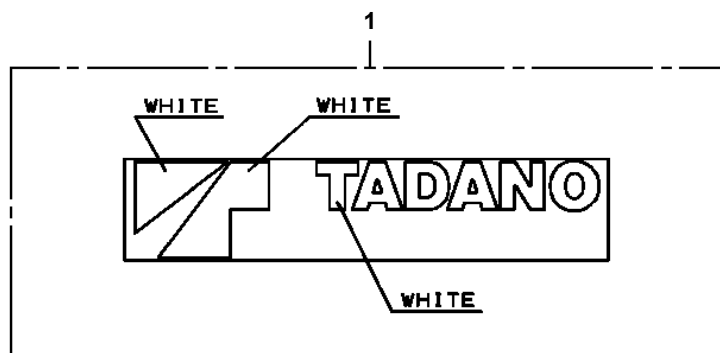
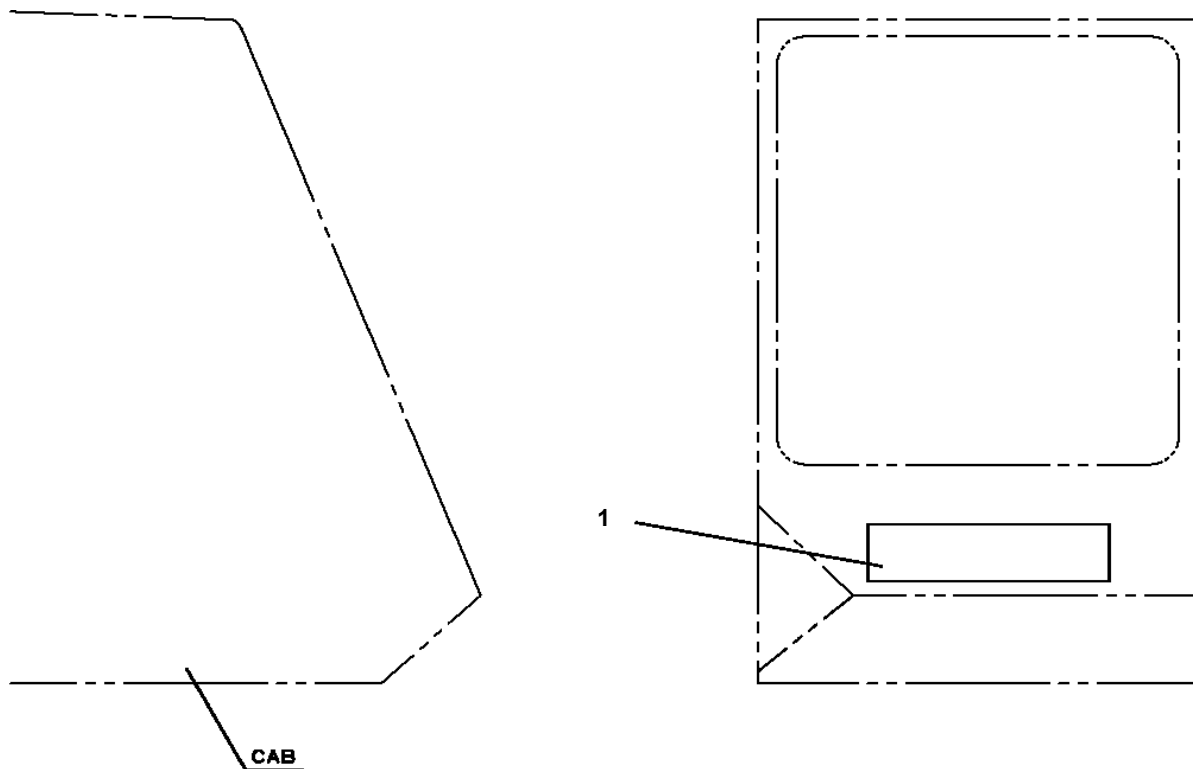
TR-250M-5-00105 4 BOOM + JIB, FLOW CONT., 3M3D
PO1011992-01 PLATE ASSY, NAME (OIL)



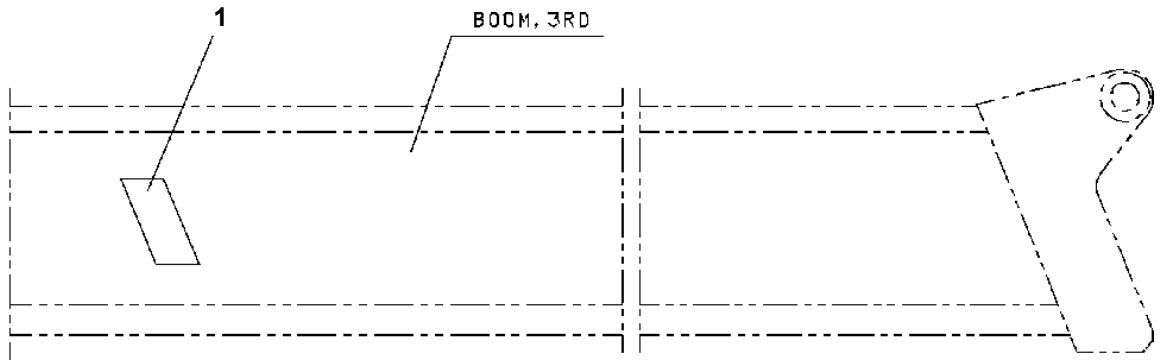
1

 注 意
<ul style="list-style-type: none">• ポンプの換付等により重大な故障の原因となるので、“作業油”または“油圧ポンプ”を交換したときは、必ず油圧ポンプのエア抜きを行ってください。• 油量は、必ず先行整備で確認してください。
<h1>純正作動油</h1> <h2>タダノハイドロリックオイル LL</h2>
<small>370-022-17330</small>

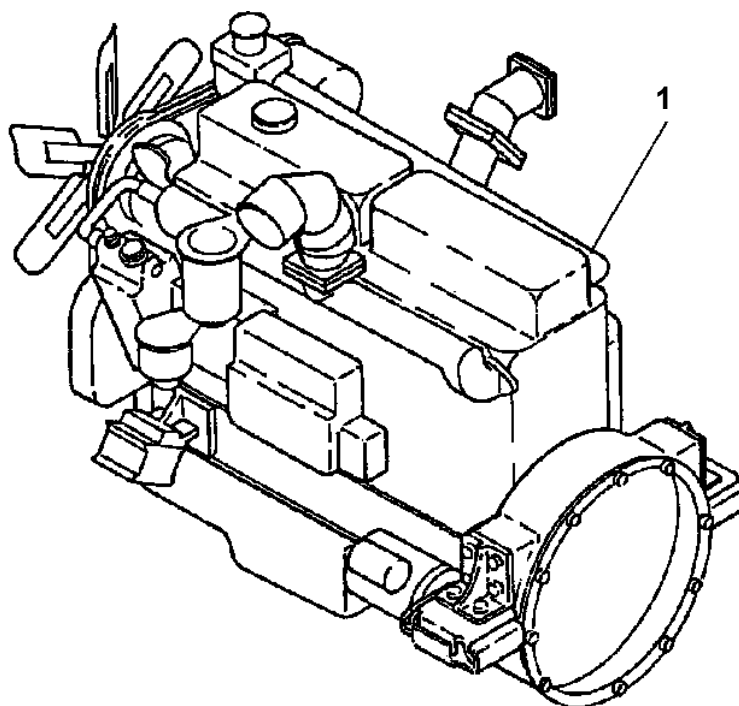
TR-250M-5-00105 4 BOOM + JIB, FLOW CONT., 3M3D
PO1030006-00 TADANO (CAB, WHITE/WHITE)



**TR-250M-5-00105 4 BOOM + JIB, FLOW CONT., 3M3D
PO1050004-00 MARKING (BOOM)**



**TR-250M-5-00105 4 BOOM + JIB, FLOW CONT., 3M3D
PQ1010001-01 ENGINE**



For the parts of the engine, refer to the parts catalog of the engine manufacturer.
エンジン部品については、エンジンメーカーのパーツカタログをご覧ください。

TR-250M-5-00105 4 BOOM + JIB, FLOW CONT., 3M3D

Pos No.	Parts No	Parts Name	Qty	Unit	Technical Data	Serial No (Start)	Serial No (End)	Remarks	Pages
1	36330195011	CORE (RADIATOR)	1						
6	36330375010	GUIDE (FAN)	1						
7	36330195050	BOLT, FLANGE	10		M6X1.0X12				
9	36330025070	PLUG	1		M18X2				
10	36330195040	CAP	1						
12	36330195030	ROD	2						
13	36330195060	BOLT, FLANGE	4		M8X1.25X20				
14	36330195070	PACKING	2						
15	36330295030	PLUG	1		PT1/8				
30	36330370000	RADIATOR	1						

TR-250M-5-00105 4 BOOM + JIB, FLOW CONT., 3M3D

Pos No.	Parts No	Parts Name	Qty	Unit	Technical Data	Serial No (Start)	Serial No (End)	Remarks	Pages
1	34880340010	PIPE	1						
2	34880340020	PIPE	1						
3	34880270700	HOSE	1				FB0315		
	34880200600	HOSE	1			FB0316			
4	91803600160	CLIP	8		D=11-16				
5	34880270750	HOSE	1				FB0315		
	34780020600	HOSE	1			FB0316			
6	82100002040	CLAMP	2		WE15				
7	37000508940	PLATE	1						
8	90303071201	WASHER, PLAIN	2		12				
9	80136332025	PIN, SPLIT	2		3.2X25				
10	56560009000	PIN	2						
11	82100001411	TUBE, SPIRAL	1	M	SE-08BK				
12	34880306000	SENDER, FUEL	1				FB4745		
	36180190000	SENDER, FUEL	1			FB4746			
13	34880270570	HOSE	1				FB0315		
	34880230500	HOSE	1		L=500	FB0316			
14	34880030550	HOSE	1		L=550		FB0315		
	34880010500	HOSE	1		L=500	FB0316			
15	37000502460	PLATE	1						
21	34880272000	PLATE	2						
22	37000711080	CLAMP ASSY	1		12-2				
23	59460002000	BAND	1				FB0698		
	34880340100	BAND	2		L=1100	FB0699			
24	59460005000	CUSHION	1				FB0698		
25	90201201000	NUT	4		M10				
26	36101400000	TANK, FUEL (300L)	1				519768		00032
	36101870000	TANK, FUEL (300L)	1			519769			00032
27	34880341000	SUPPORT	1						
28	37000300710	SLEEVE	4		12-8				
29	37000300720	SLEEVE	4		12-10				
30	90101208014	BOLT	2		M8X14				
31	90302040801	WASHER, SPRING	2		8				
32	90201200800	NUT	1		M8				
50	34880278020	BAND ASSY	1				FB0698		

TR-250M-5-00105 4 BOOM + JIB, FLOW CONT., 3M3D

Pos No.	Parts No	Parts Name	Qty	Unit	Technical Data	Serial No (Start)	Serial No (End)	Remarks	Page
1	34721011000	SWITCH ASSY (T/M)	1						
2	80176405016	SCREW, MACHINE	4		M5X16				
3	90305260501	WASHER	4		B1-5				
11	34721017510	COVER (GRAY)	1						
12	34720487530	KNOB	1						
13	82104105001	SWITCH, LIMIT	5						

TR-250M-5-00105 4 BOOM + JIB,FLOW CONT.,3M3D

Pos No.	Parts No	Parts Name	Qty	Unit	Technical Data	Serial No (Start)	Ser
68	36350245220	PACKING	1				
69	36350245230	COVER	1				
70	59133580040	PACKING (COPPER)	1				
71	36350245240	PLUG	1				
72	90131510030	BOLT,HEXAGON SOCKET	1		M10X30		
73	90101516040	BOLT	1		M16X40		
74	36350205250	BOLT,STUD	1				
75	90264201000	NUT	1		M10		
76	36350245260	CARRIER	1				
77	90194310030	BOLT	7		M10X30		
78	36350205250	BOLT,STUD	1				
79	90264201000	NUT	1		M10		
80	36350245060	PACKING	1				
81	36350345380	SEAL,OIL	1				
82	36350205311	COVER	1				
83	90101510035	BOLT	6		M10X35		
84	36350205320	PACKING	1				
85	90302041001	WASHER,SPRING	6		10		
86	36350345370	STRAINER	1				
87	36350245280	O-RING	1				
88	90131510025	BOLT,HEXAGON SOCKET	4		M10X25		
89	90101510085	BOLT	3		M10X85		
90	90302041001	WASHER,SPRING	3		10		
91	36350345100	VALVE,RELIEF (LUBRICATING OIL,T/M)	1				
92	90131510050	BOLT,HEXAGON SOCKET	2		M10X50		
	90131510025	BOLT,HEXAGON SOCKET	1		M10X25		
	90131510045	BOLT,HEXAGON SOCKET	2		M10X45		
	90131510030	BOLT,HEXAGON SOCKET	1		M10X30		
93	36350345110	VALVE,LOCK UP (TRANSMISSION)	1				
94	36350345310	GAUGE,OIL	1				
95	36350345320	COVER (OIL GAUGE)	2				
96	90302040501	WASHER,SPRING	10		5		
97	90101505025	BOLT	10		M5X25		
98	59433010301	PACKING	2				
99	36350345120	VALVE,SOLENOID (TRANSMISSION)	4				
100	90302041001	WASHER,SPRING	10		10		
101	90101510105	BOLT	3		M10X105		
	90101510075	BOLT	10		M10X75		
102	36350345130	PRESSURE REGULATOR VALVE,TRANSMISSION	1				
103	59233070110	PLUG,MAGNET	1		M20X1.5		
104	59233070130	PACKING (COPPER)	1				
105	90302041001	WASHER,SPRING	29		10		
106	36350305130	JOINT	1				
107	36350345330	WASHER,SPRING	1				
108	90101505020	BOLT	1		M5X20		

TR-250M-5-00105 4 BOOM + JIB, FLOW CONT., 3M3D

Pos No.	Parts No	Parts Name	Qty	Unit	Technical Data	Serial No (Start)	Serial No (End)	Remarks	Pages
1	36350345200	BEARING, ROLLER	2						
2	36350205810	WASHER	1						
3	36350345210	SHAFT (COUNTER)	1						
4	36350205550	SHIM SET	1						

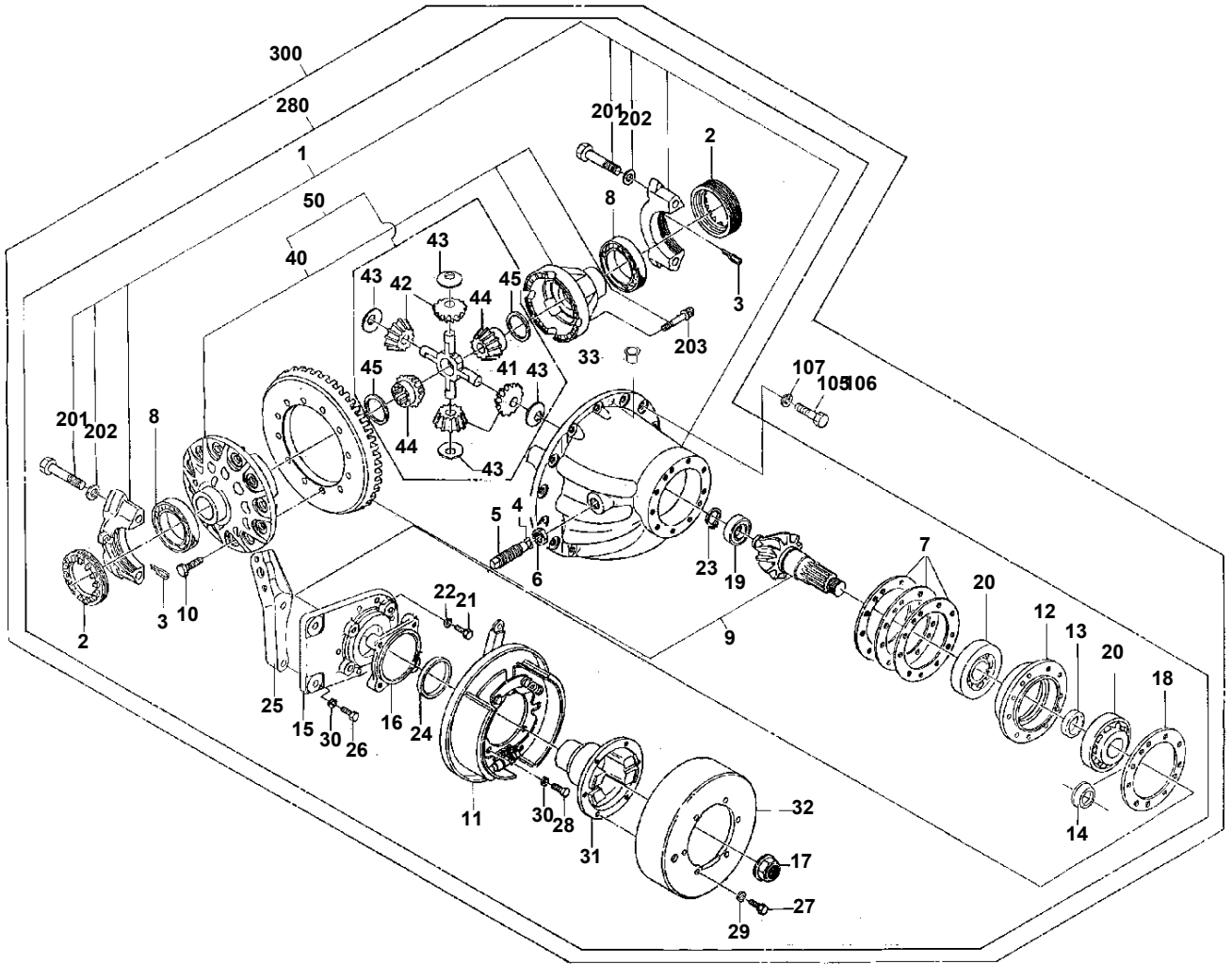
TR-250M-5-00105 4 BOOM + JIB, FLOW CONT., 3M3D

Pos No.	Parts No	Parts Name	Qty	Unit	Technical Data	Serial No (Start)	Serial No (End)
3	36350036680	SPRING	1				
4	59133570020	PACKING (COPPER)	1				
5	59133585100	PLUG	1				
6	36350205340	PACKING	1				
10	36350345100	VALVE, RELIEF (LUBRICATING OIL, T/M)	1				

TR-250M-5-00105 4 BOOM + JIB, FLOW CONT., 3M3D

Pos No.	Parts No	Parts Name	Qty	Unit	Technical Data	Serial No (Start)	Serial No (End)	Remarks
6	36300365016	NIPPLE, GREASE	1					
8	36300365026	JOURNAL ASSY	2					
11	36300365046	BOLT	16					
12	36300365056	WASHER, SPRING	16					
14	36300365016	NIPPLE, GREASE	2					
30	36301620000	PROPELLER SHAFT, DRIVING	1					

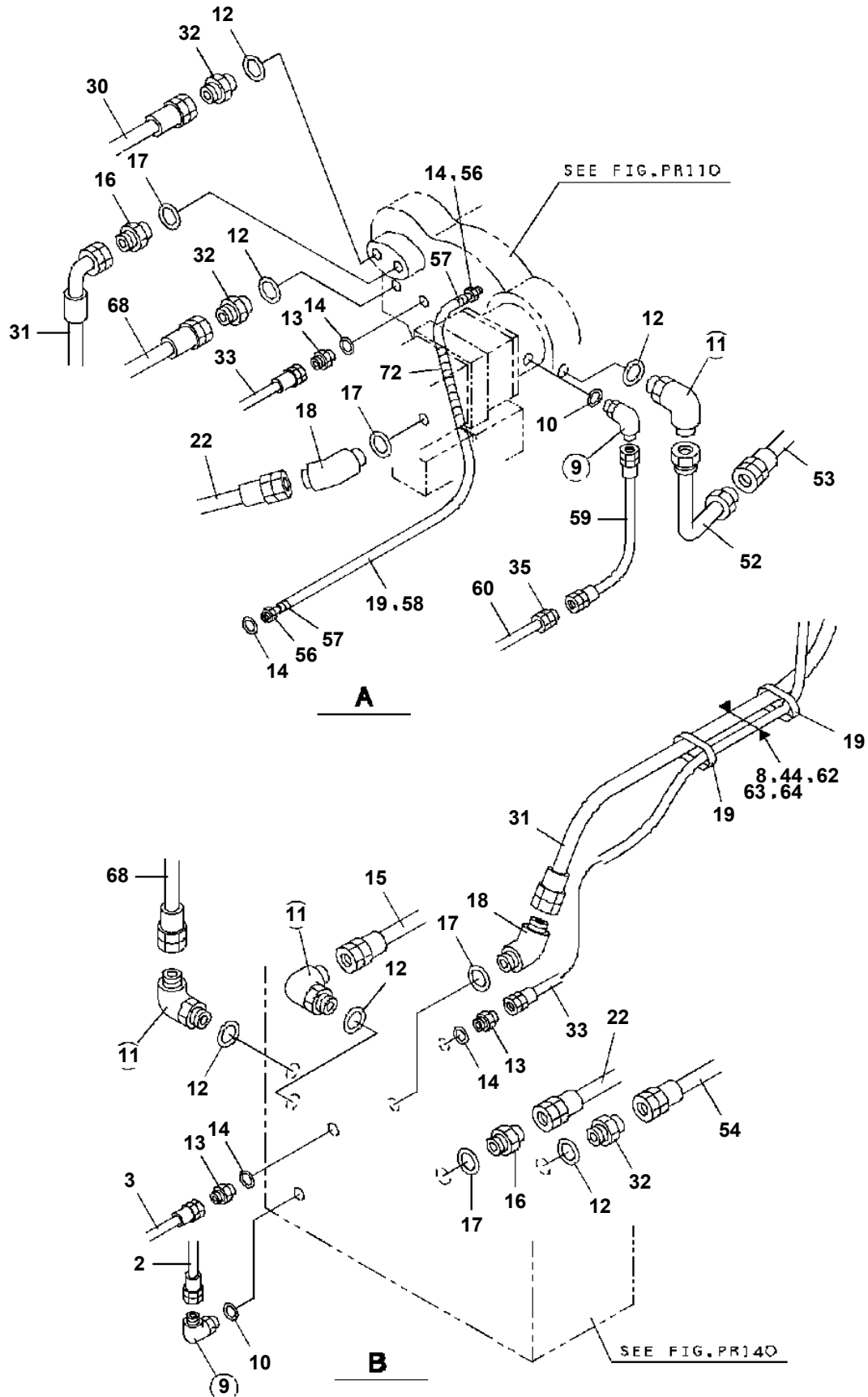
TR-250M-5-00105 4 BOOM + JIB, FLOW CONT., 3M3D
PR1620042-00 AXLE, DRIVING (FRONT)



TR-250M-5-00105 4 BOOM + JIB,FLOW CONT.,3M3D

Pos No.	Parts No	Parts Name	Qty	Unit	Technical Data	Serial No (Start)	Serial No (End)
1	34680007030	CARRIER ASSY (WITH CAP)	1				
2	34680005170	NUT,RING	2				
3	59172010040	PIN	2				
4	34680005180	PLUG (THRUST)	1				
5	34680005190	BOLT (M24,THRUST)	5				
6	34680005220	NUT	1		M24		
7	36380685010	SHIM SET	1				
8	34680005320	BEARING,ROLLER	2				
9	36380675090	PINION & GEAR ASSY (DRIVE)	1				
10	34680005210	BOLT	16		M16X34		
11	34680005100	CAGE,BEARING	1				
12	34680005080	PIECE,DISTANCE	1				
13	36380875030	COLLAR (SPIRAL PINION)	1				
14	34680005110	CASE (OIL SEAL)	1				
15	34680005230	NUT	1		M30		
16	34680005280	PACKING	1				
17	34680005290	BEARING,ROLLER	1				
18	34680005330	BEARING,ROLLER	2				
19	90191512050	BOLT	6		M12X50		
20	90302041201	WASHER,SPRING	6		12		
21	80601110300	RING,RITAINING	1		S30		
22	34680005310	SEAL,OIL	1				
23	36380215350	COVER	2				
24	34680007020	FLANGE ASSY	1				
30	36380675050	CASE ASSY (DIFF.GEAR)	1				
31	36381115020	DIFFERENTIAL ASSY (NO-SPIN)	1				
50	36381115500	CASE ASSY (DIFF.GEAR)	1				
101	36381115030	HOUSING (AXLE)	1				
102	59172030270	BUSH,KING PIN	4				
104	34680005390	BREATHER,AIR	1				
105	90103512030	BOLT	8		M12X30		
106	90103712040	BOLT	4		M12X40		
107	90302041201	WASHER,SPRING	12		12		
108	36380705280	PLUG	1				
109	59172081020	PLUG,MAGNET	1		PT3/4		
110	36381125030	BUSH (AXLE HOUSING)	2				
112	36380675190	KNUCKLE (1,F/R,R/L)	1				
113	36380675200	KNUCKLE (2,F/L,R/R)	1				
114	36380675212	SPINDLE,KNUCKLE	2				
115	34680005680	BOLT	40				
116	36380675220	SEAL,OIL	2				
117	34680005561	PIN,KING	2				
118	36380105370	WASHER,THRUST	2				
119	34680005661	PIN,KING	2				
120	59172071080	BEARING,THRUST	2				
121	59172030280	SHIM SET	1				
122	36380215350	COVER	8				
123	90103720050	BOLT	16		M20X50		
124	36380105381	BOOT,RUBBER (SPINDLE)	2				
125	59172030450	BAND	2				
126	36380105390	PLATE (LOCK RUBBER BOOT)	4				
127	36380435010	BOLT (WITH WASHER)	24				
129	34680005670	BOLT,STOPPER	2				
130	90211702400	NUT	2		M24		
131	36380675231	TIE ROD	1				
132	36380875131	END,TIE ROD (RIGHT HAND SCREW)	1				
133	36380875141	END,TIE ROD (LEFT HAND SCREW)	1				
134	36380675261	BUSHING (TIE ROD END)	2				
135	36380675270	PIN	2				
136	59172030340	PLATE (LOCK)	2				
137	90171108020	BOLT	22		M8X20		
139	90171112080	BOLT	4		M12X80		
140	90201701200	NUT	4		M12		

**TR-250M-5-00105 4 BOOM + JIB, FLOW CONT., 3M3D
PR1700036-04 PIPING, CONVERTER**



(エルボに付いているものは、そのまま使用しない。)

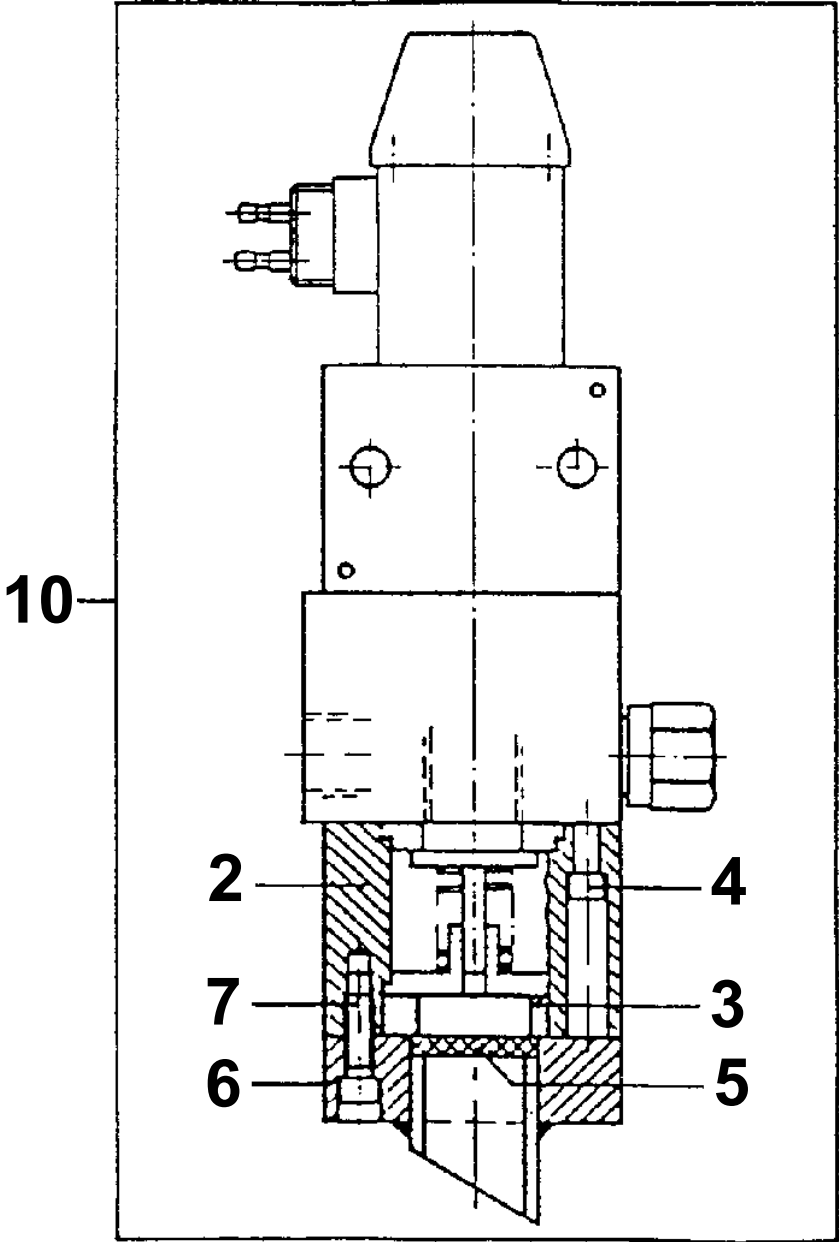
本イラスト中の○印部のジョイント、エルボはOリングを付け換える事。

(耐熱性のOリング、**10** **12** **14** に交換する。)

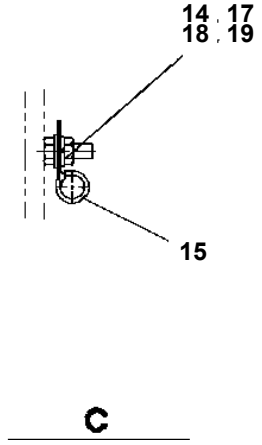
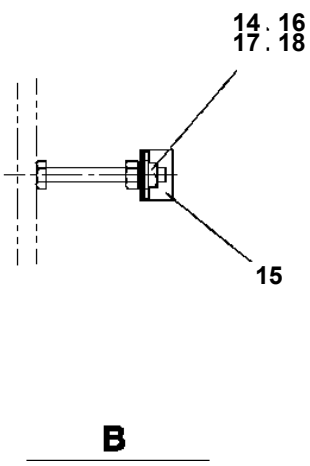
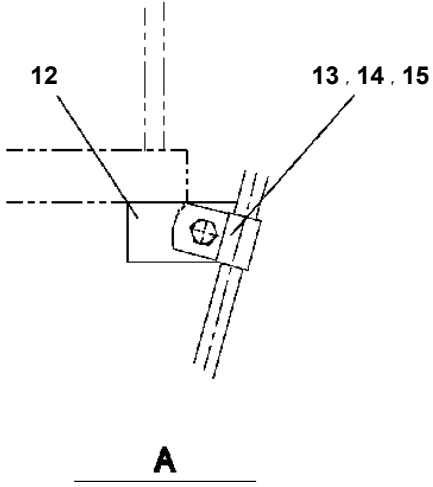
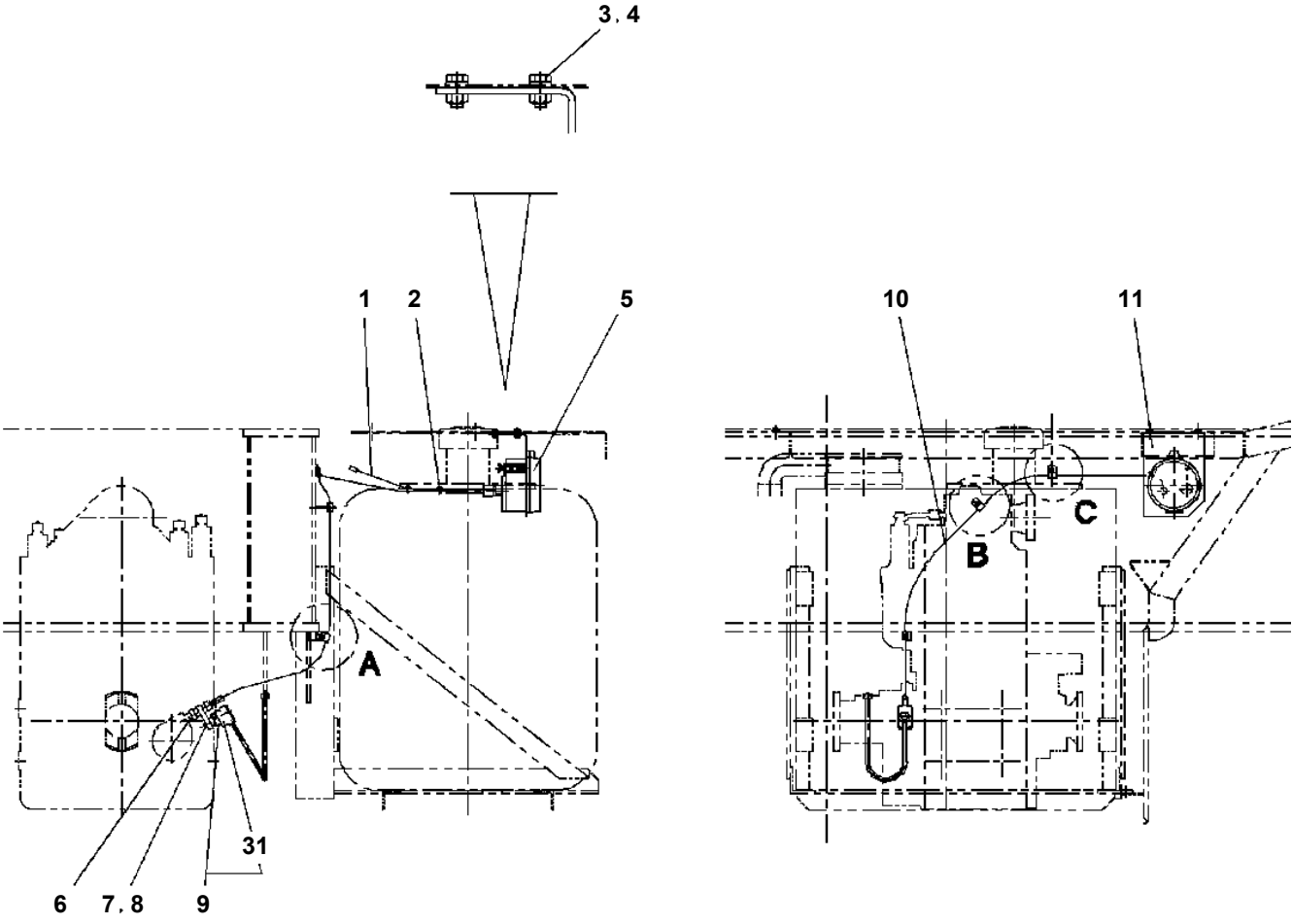
TR-250M-5-00105 4 BOOM + JIB, FLOW CONT., 3M3D

Pos No.	Parts No	Parts Name	Qty	Unit	Technical Data	Serial No (Start)	Serial No (End)
155	36350356020	O-RING	2				
	36350356020	O-RING	2				
158	36350355830	STRAINER	2				
	36350355830	STRAINER	2				
160	36700195760	RING, SPACER	2				
	36700195760	RING, SPACER	2				
161	36700195770	O-RING	2				
	36700195770	O-RING	2				
162	36700195850	PACKING (R/M)	1				
	36700195850	PACKING (R/M)	1				
171	36700235030	RING ASSY (LABYRINTH)	2				
	36700235030	RING ASSY (LABYRINTH)	2				
200	36700198000	RETARDER (VER.1)	1				
	36700198000	RETARDER (VER.1)	1				

TR-250M-5-00105 4 BOOM + JIB, FLOW CONT., 3M3D
PR1730001-01 VALVE, SOLENOID (RETARDER)

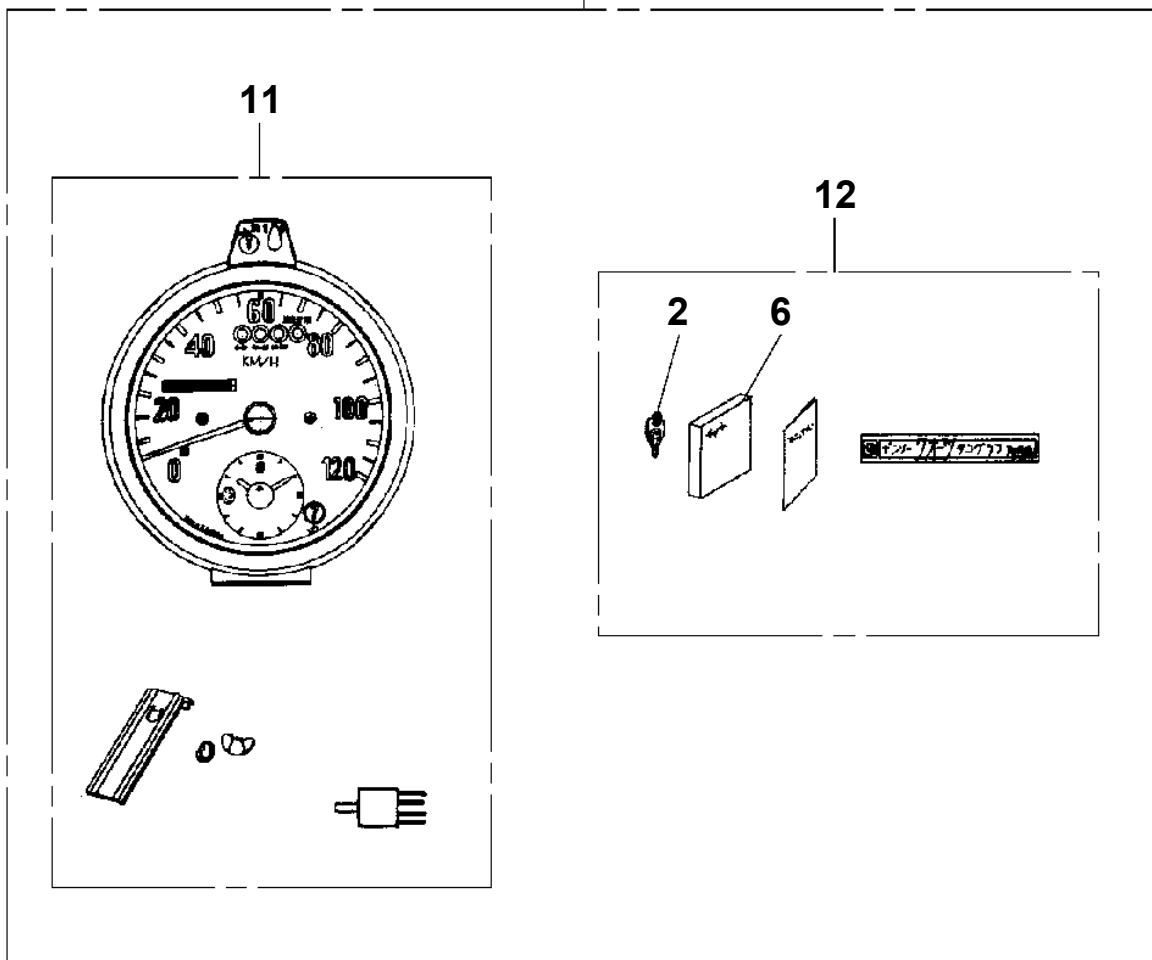


**TR-250M-5-00105 4 BOOM + JIB, FLOW CONT., 3M3D
PR1740039-00 SPEED METER SYSTEM (DENSO, 24V)**



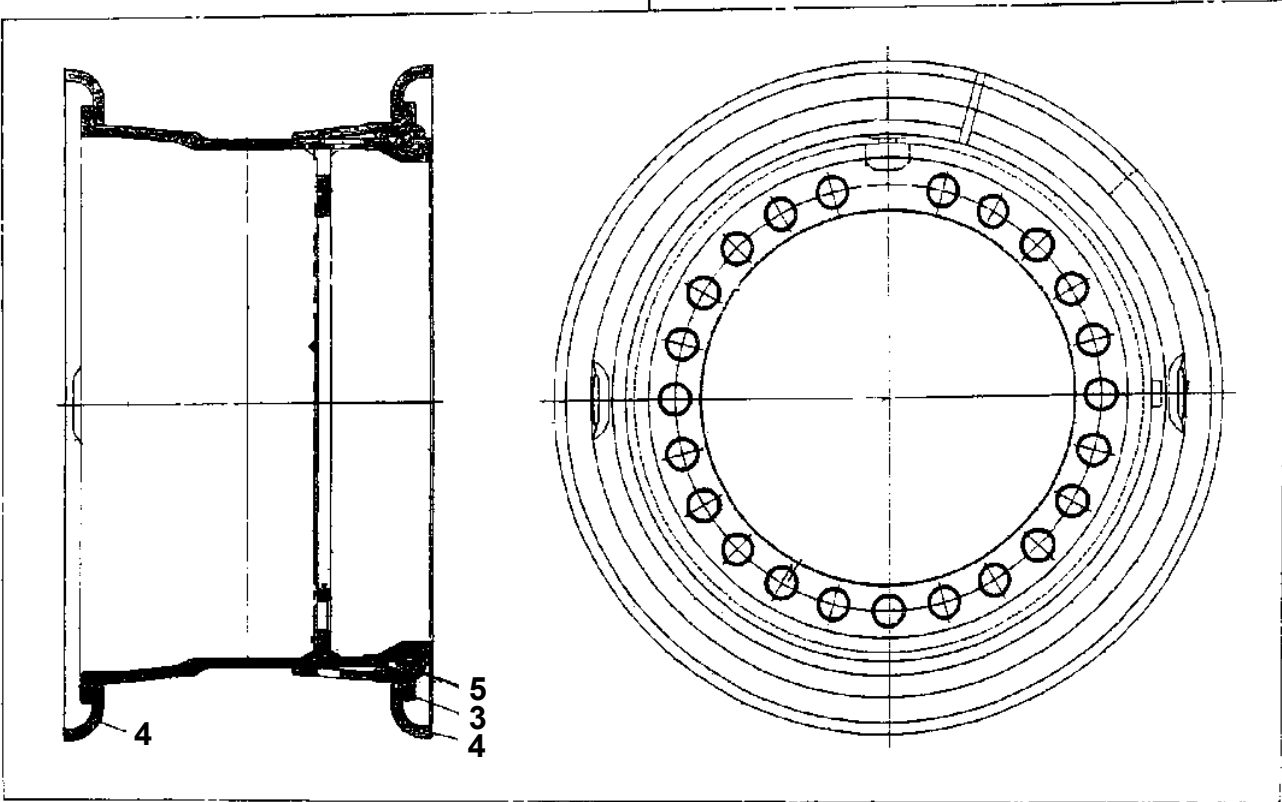
TR-250M-5-00105 4 BOOM + JIB, FLOW CONT., 3M3D
PR1760003-01 TACHOGRAPH (DENSO, 24V)

30

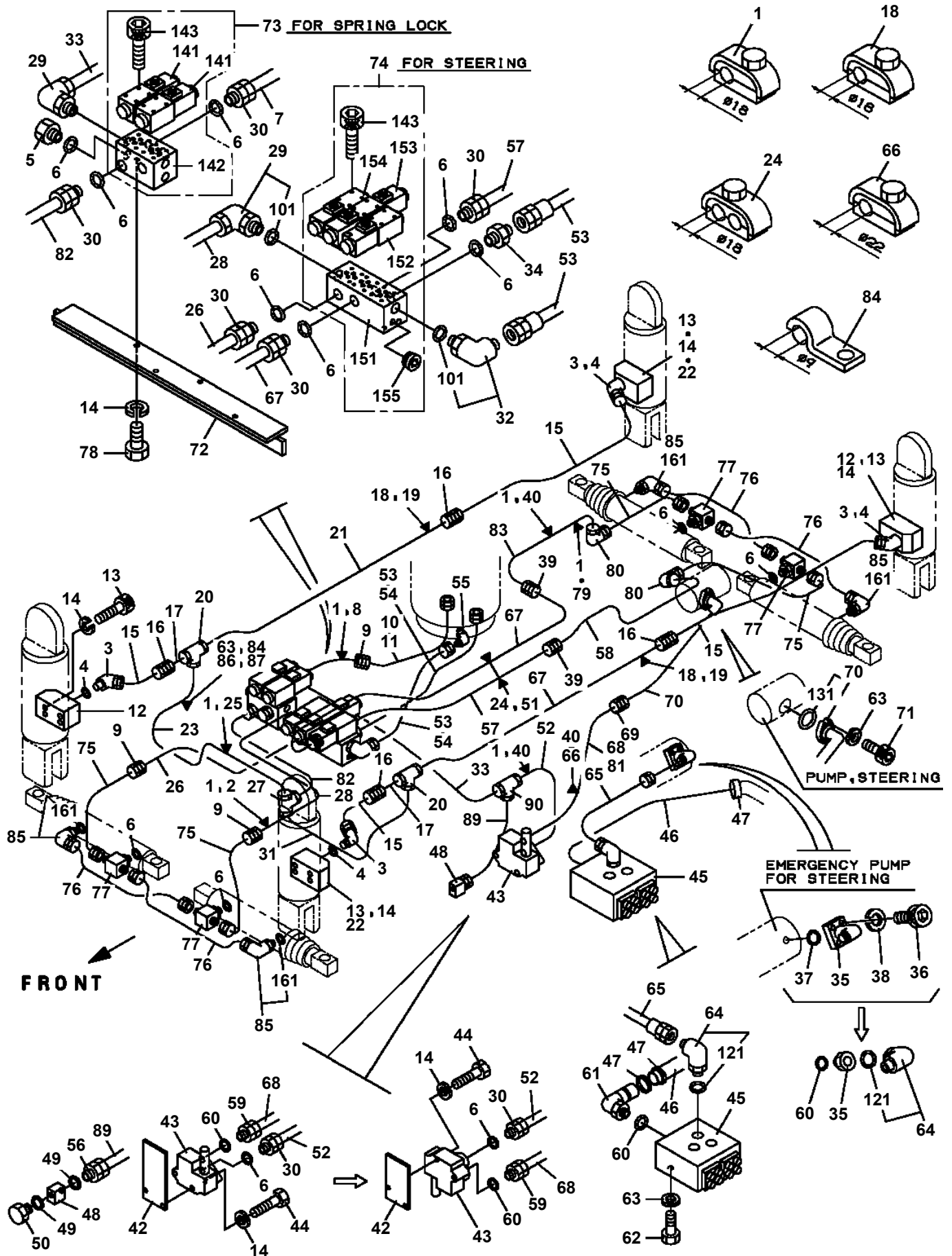


TR-250M-5-00105 4 BOOM + JIB, FLOW CONT., 3M3D
PR1820010-01 WHEEL, TIRE

10



**TR-250M-5-00105 4 BOOM + JIB, FLOW CONT., 3M3D
PS1200078-03 PIPING, STEERING (LOWER)**



TR-250M-5-00105 4 BOOM + JIB, FLOW CONT., 3M3D

Pos No.	Parts No	Parts Name	Qty	Unit	Technical Data	Serial No (Start)	Serial No (End)	Remarks
1	(*****)	CYLINDER, STEERING	2					
2	(*****)	CYLINDER, STEERING	2					
3	34920030050	PLATE	2					
4	37001501680	BOLT	3					
5	59460521000	BOLT	4					
6	37001601880	NUT, CASTLE	8		M30X1.5			
7	80136363056	PIN, SPLIT	8		6.3X56			
8	36061190001	CYLINDER, AIR	1					
9	90101208030	BOLT	4		M8X30			
10	90201200800	NUT	4		M8			
11	90302040801	WASHER, SPRING	6		8			
12	34720690700	PLATE	1					
13	37005400120	END	1					
14	37000124910	PIN	1					
15	90303071001	WASHER, PLAIN	1		10			
16	80136332020	PIN, SPLIT	1		3.2X20			
17	34720530600	ROD	1					
18	34720530500	LEVER	1					
19	34720940100	SUPPORT	1					
20	34720530400	PIN	1					
21	34720530201	SUPPORT	1					
22	37001503560	BOLT	1					
23	90236201400	NUT, CASTLE	1		M14			
24	90303071401	WASHER, PLAIN	1		14			
25	80136332028	PIN, SPLIT	1		3.2X28			
26	37000110320	PIN	2					
27	37000114970	PIN	1					
28	90303071201	WASHER, PLAIN	2		12			
29	82100002359	SWITCH, LIMIT	1					
30	34720940200	SUPPORT	1					
31	90101208018	BOLT	2		M8X18			
32	90303070801	WASHER, PLAIN	2		8			
33	82100002654	SWITCH	1					
34	34720690600	COVER	1					
35	90131506010	BOLT, HEXAGON SOCKET	2		M6X10			
36	90302040601	WASHER, SPRING	2		6			
41	80804012020	BEARING, PLAIN	1					
45	90303071001	WASHER, PLAIN	4		10			
46	80136332020	PIN, SPLIT	3		3.2X20			
50	34720948010	SUPPORT ASSY	1					

TR-250M-5-00105 4 BOOM + JIB, FLOW CONT., 3M3D

Pos No.	Parts No	Parts Name	Qty	Unit	Technical Data	Serial No (Start)	Serial No (End)	Remarks	Pages
1	37002438590	HOSE,AIR	1		L=810				
2	37002438580	HOSE,AIR	1		L=750				
	90303070801	WASHER,PLAIN	2		8				
3	90211201600	NUT	4		M16				
4	90304111601	WASHER,TOOTH	4		16				
5	37000904830	NUT,FLARE	8		M16				
6	34720908050	PIPE ASSY	1				519279		
	34721108010	PIPE ASSY	1			519280			
7	34720908060	PIPE ASSY	1						
8	90101208022	BOLT	3		M8X22				
9	90302040801	WASHER,SPRING	4		8				
10	59459007000	FITTING,ELBOW	4		L,R3/8-M16				
13	37000900750	JOINT	2		L,R1/4-G3/8				
15	90101208030	BOLT	1		M8X30				
16	90303070801	WASHER,PLAIN	1		8				
17	37000300720	SLEEVE	4		12-10				
18	82100001819	TUBE,SPIRAL	1	M	SE-18BK				
19	82100001819	TUBE,SPIRAL	1	M	SE-18BK				
20	34720498030	PIPE ASSY	1						
21	34720498040	PIPE ASSY	1						
31	90191208030	BOLT	2		M8X30				
38	82400000035	COVER (PEDAL)	1						
41	37000117490	PIN	1						
42	34720201200	COVER	1						
43	36601000001	VALVE,BRAKE	1						000386
44	90710008160	SCREW,SET	1		M8X16				
61	90102208060	BOLT	1		M8X60				
62	90201200800	NUT	1		M8				
63	34720201300	PEDAL	1						
64	34330161100	ROLLER	1						
65	37000110320	PIN	1						
66	90303071001	WASHER,PLAIN	2		10				
67	80136332016	PIN,SPLIT	2		3.2X16				
90	34720208011	PEDAL ASSY	1						
122	80804010010	BEARING,PLAIN	1						

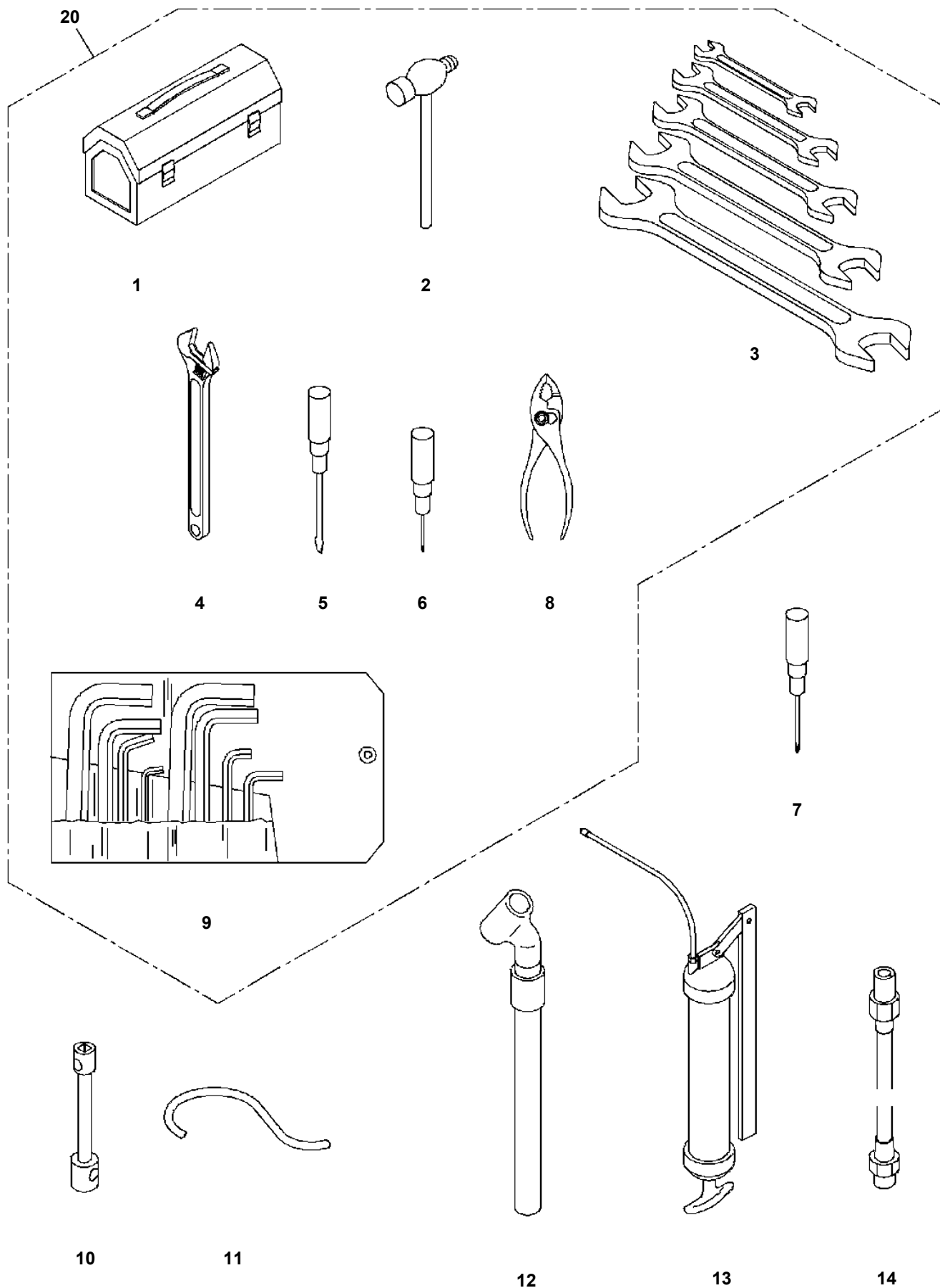
TR-250M-5-00105 4 BOOM + JIB, FLOW CONT., 3M3D

Pos No.	Parts No	Parts Name	Qty	Unit	Technical Data	Serial No (Start)	Serial No (End)	Remarks
2	36600945010	SEAT, SPRING	1					
3	36600945020	SPRING	1					
4	36600945030	PLATE	1					
5	36600945040	DIAPHRAGM	1					
8	36600945050	PACKING	1				FB2861	
	91001101800	O-RING	1		1A P18	FB2862		
9	36600945060	BOLT (ADJUSTING)	1				518953	
	36600955010	BOLT (ADJUSTING)	1			518954		
10	90202200800	NUT	1		M8			
11	36600945070	WASHER (DIAPHRAGM)	1					
12	36600945080	NUT, CASTLE	1		M6			
13	80136012015	PIN, SPLIT	1		1.2X15			
14	36600945090	SCREW	6				518953	
	80192434016	SCREW, MACHINE	6		M4X16	518954		
15	90302040401	WASHER, SPRING	6		4		518953	
16	36600945100	O-RING	1					
17	36600945110	CAP	1					
18	36600945120	PACKING	1					
20	36600955020	VALVE KIT (REPAIR KIT)	1			518954	FB2861	
	36600955030	VALVE KIT (REPAIR KIT)	1			FB2862		
50	36602470000	VALVE, REDUCING	1					

TR-250M-5-00105 4 BOOM + JIB, FLOW CONT., 3M3D

Pos No.	Parts No	Parts Name	Qty	Unit	Technical Data	Serial No (Start)	Serial No (End)	Remarks	Page
10	36870135040	CAP	1						
12	36870135010	HEATER ASSY	1						
13	36870135020	THERMOSTAT ASSY	1						
51	36870135031	FILTER (REPAIR KIT)	1						
100	36870130001	DRIER, AIR	1						

**TR-250M-5-00105 4 BOOM + JIB, FLOW CONT., 3M3D
PW1030039-01 TOOLS**



TR-250M-5-00105 4 BOOM + JIB, FLOW CONT., 3M3D

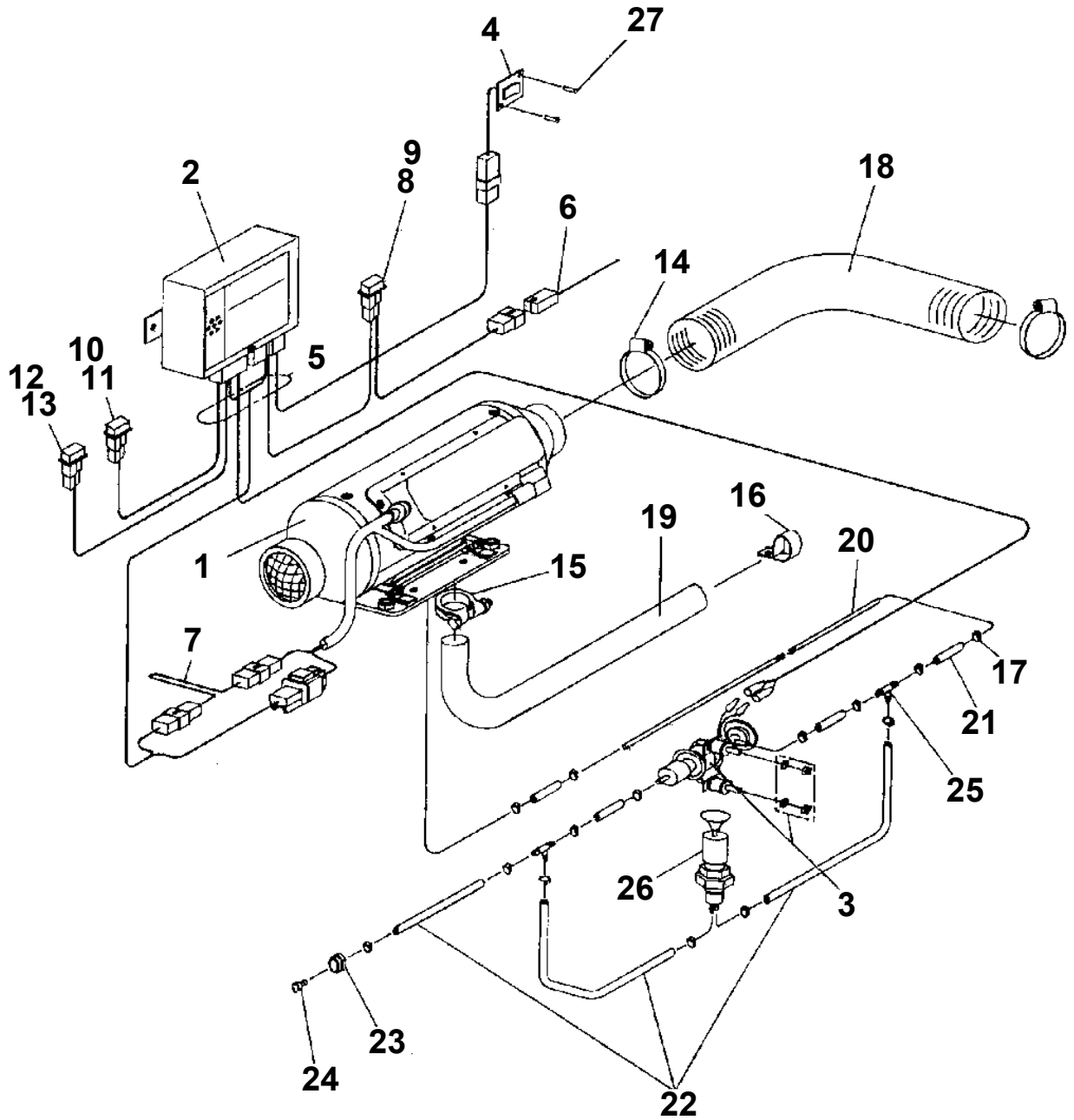
Pos No.	Parts No	Parts Name	Qty	Unit	Technical Data	Serial No (Start)	Serial No (End)	Remarks	Pages
1	34350002100	CAP	4						
2	34620120100	STOPPER	2						
3	37001300010	SPRING	2						
4	90101206012	BOLT	4		M6X12				
5	90302040601	WASHER, SPRING	4		6				
6	90303070601	WASHER, PLAIN	4		6				
7	34620120400	SUPPORT	2						
8	90101212025	BOLT	2		M12X25				
9	90261001200	NUT	2		M12				
11	90306000120	WASHER	4						
12	34620120301	STOPPER	1						
13	34620120020	PLATE	1						
14	34620122001	COVER	1						
15	34620120201	STOPPER	1						
16	34620120010	PLATE	1						

TR-250M-5-00105 4 BOOM + JIB, FLOW CONT., 3M3D

Pos No.	Parts No	Parts Name	Qty	Unit	Technical Data	Serial No (Start)	Serial No (End)	Remarks	Pages
1	34760450101	SUPPORT	1						
2	90101212030	BOLT	4		M12X30				
3	90302041201	WASHER, SPRING	4		12				
4	59424584000	PLATE	1						
10	34760458010	SUPPORT ASSY	1						

TR-250M-5-00105 4 BOOM + JIB, FLOW CONT., 3M3D
PY1120014-00 HEATER

Assembly Name HEATER



TR-250M-5-00105 4 BOOM + JIB, FLOW CONT., 3M3D

Pos No.	Parts No	Parts Name	Qty	Unit	Technical Data	Serial No (Start)	Serial No (End)	Remarks
1	80303130141	FITTING, ELBOW	2		KLO12-020E			
2	37000517940	PLATE	1					
3	80302090181	FITTING	3		KCO15-030N			
4	81408000160	PIPE, STEEL	1	M	12X1.4T			
5	81408000160	PIPE, STEEL	1	M	12X1.4T			
6	34475312200	PLATE	1					
7	34475311100	VALVE, SOLENOID	1					
8	80303130181	FITTING, ELBOW	1		KLO15-030E			
9	34475312100	VALVE, SOLENOID	1					
10	80305151203	FITTING, TEE	1		T, G3/8-D12X2			
11	81408000160	PIPE, STEEL	1	M	12X1.4T			
12	81408000160	PIPE, STEEL	1	M	12X1.4T			
13	81408000210	PIPE, STEEL	1	M	15X2.0T			
14	81408000210	PIPE, STEEL	1	M	15X2.0T			
15	80302090161	FITTING	1		KCO12-030N			
16	91002801400	O-RING	5		1B P14			
17	36671970000	FILTER ASSY	1					
18	91002801100	O-RING	2		1B P11			
19	90101208016	BOLT	5		M8X16			
20	90302040801	WASHER, SPRING	5		8			
21	80306010100	NUT	2		KKN12-000N		FB2629	
	80306010105	NUT	2		KKN12-000E	FB2630		
22	80309010100	SLEEVE	2				FB2629	
	80309010105	SLEEVE	2		KK012-000E	FB2630		
23	80302090141	FITTING	1		KCO12-020N			
31	91002801100	O-RING	2		1B P11			
41	91002801400	O-RING	1		1B P14			
51	36642930000	VALVE, SOLENOID	1					
52	34475311110	FITTING, FLANGE	1					
61	36641130000	VALVE, SOLENOID	1					
62	34475312110	FITTING, FLANGE	1					
63	90131506035	BOLT, HEXAGON SOCKET	4		M6X35			
64	80316030040	PLUG	1		PT1/4			
71	36671970100	JOINT	1					FB3082
	36671975030	BODY	1			FB3083		FB3212
72	34340021700	FILTER	1					FB3082
	36671975040	ELEMENT	1			FB3083		FB3212

CLICK HERE TO **DOWNLOAD** THE COMPLETE MANUAL

- Thank you very much for reading the preview of the manual.
- You can download the complete manual from: www.heydownloads.com by clicking the link below



- Please note: If there is no response to CLICKING the link, please download this PDF first and then click on it.

CLICK HERE TO **DOWNLOAD** THE COMPLETE MANUAL