

## **TR-250M-4-00102 4 BOOM + JIB,3M3D**

**PB1000117-03 HYDRAULIC PRESSURE GENERATING SYSTEM**  
**PC1000087-00 OUTRIGGER SYSTEM**  
**PD1000116-00 SWING SYSTEM**  
**PE1000111-00 ELEVATING SYSTEM**  
**PF1000099-02 WINCH SYSTEM**  
**PG1000112-03 TELESCOPING SYSTEM**  
**PH1000109-04 SAFETY DEVICES**  
**PI1000116-02 HYDRAULIC DEVICES**  
**PK1000118-02 FRAME**  
**PL1000115-02 CONTROL DEVICES**  
**PM1000032-01 LUBRICATION DEVICES**  
**PN1000111-03 ELECTRIC EQUIPMENT**  
**PO1000114-01 INDICATION PLATES**  
**PQ1000039-00 DRIVING POWER GENERATING SYSTEM**  
**PR1000029-01 DRIVING POWER TRANSMISSION SYSTEM**  
**PS1000040-01 STEERING SYSTEM**  
**PT1000030-01 BRAKE SYSTEM**  
**PU1000026-00 SUSPENSION**  
**PW1000097-02 ACCESSORIES & TOOLS**  
**PX1000115-02 MOUNTING PARTS**  
**PY1000097-05 OPTIONS**  
**ASSEMBLY**

CLICK HERE TO **DOWNLOAD** THE COMPLETE MANUAL

- Thank you very much for reading the preview of the manual.
- You can download the complete manual from: [www.heydownloads.com](http://www.heydownloads.com) by clicking the link below



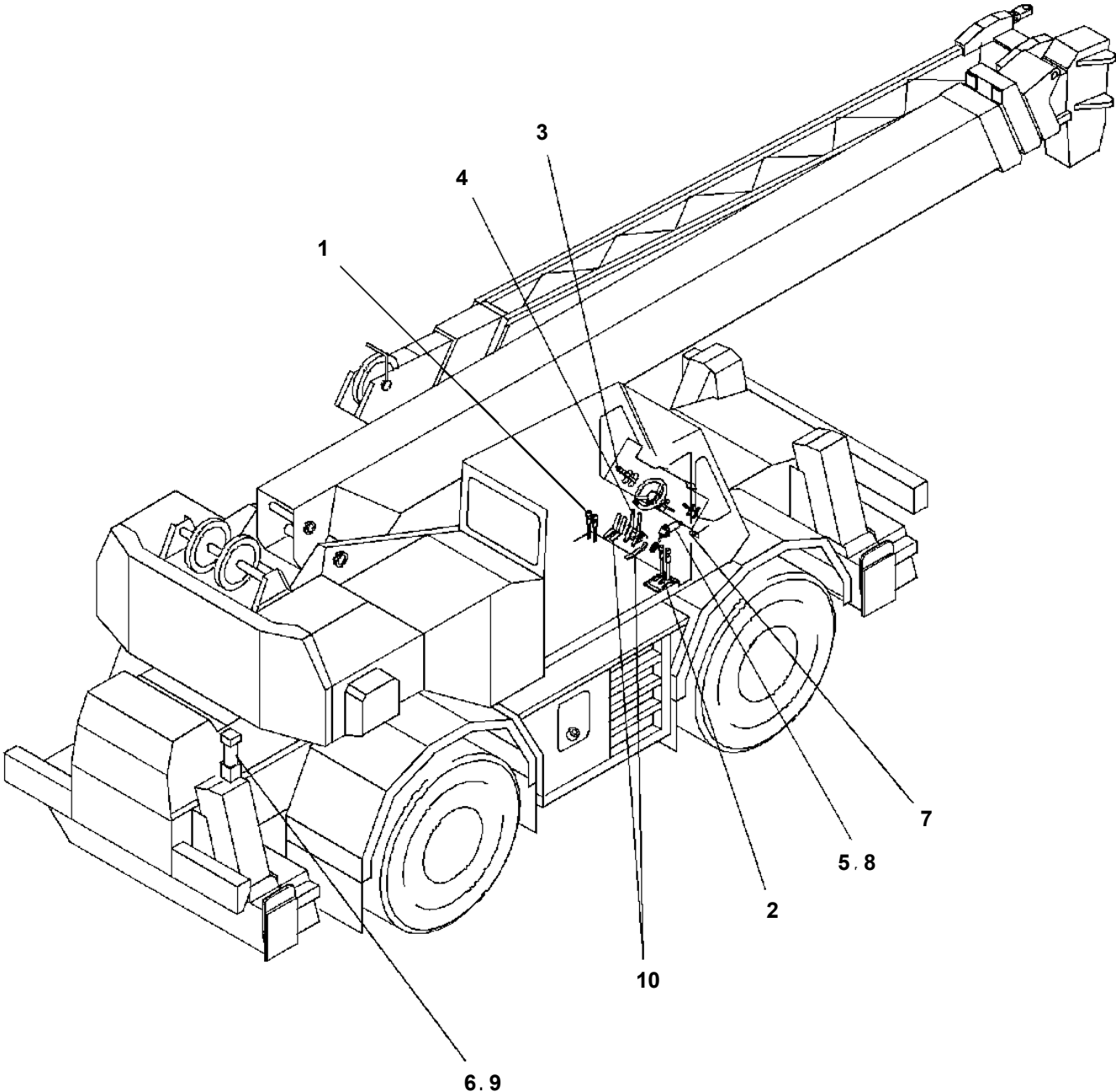
- Please note: If there is no response to CLICKING the link, please download this PDF first and then click on it.

CLICK HERE TO **DOWNLOAD** THE COMPLETE MANUAL

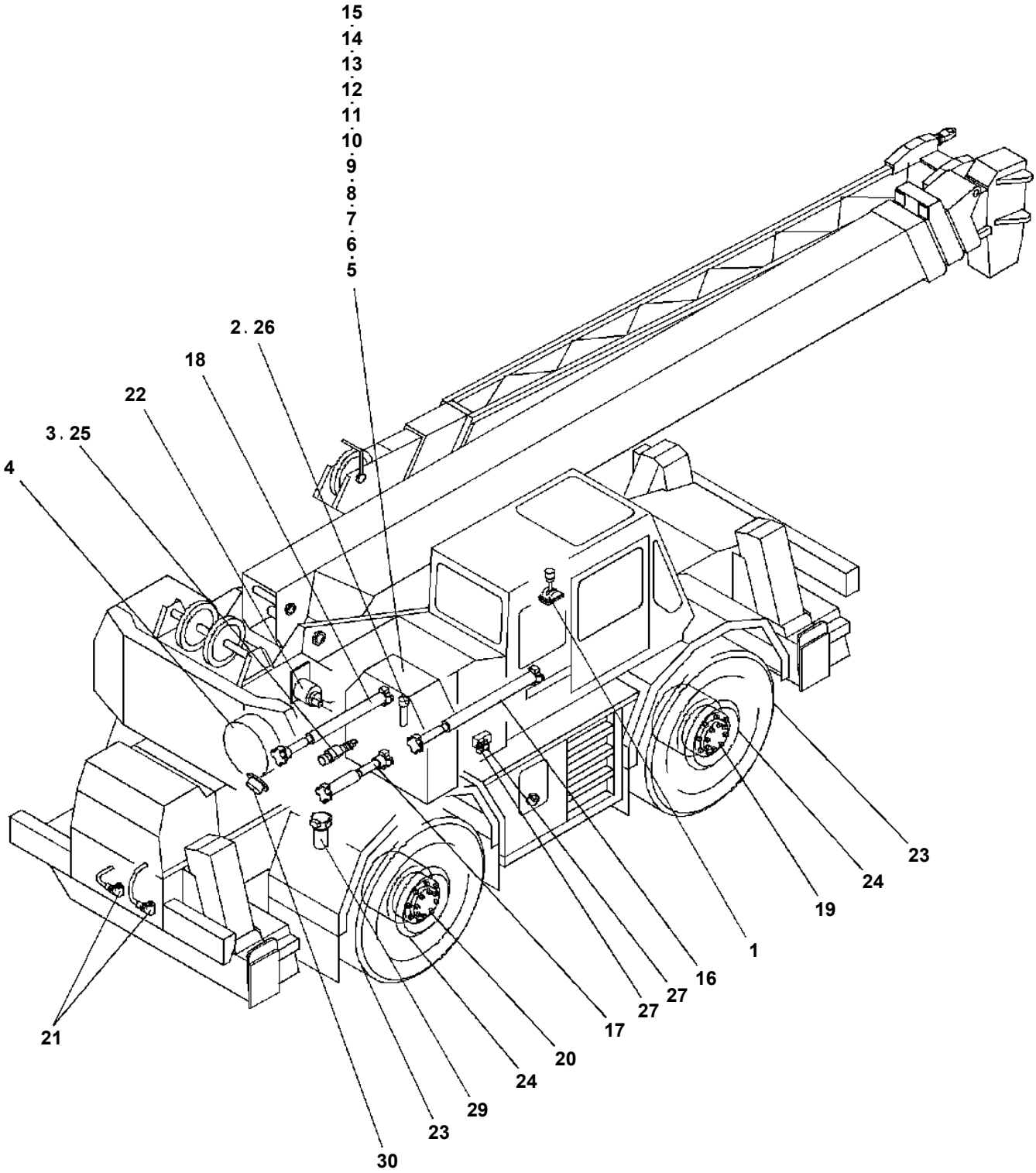
# TR-250M-4-00102 4 BOOM + JIB,3M3D

Pos No.	Parts No	Parts Name	Qty	Unit	Technical Data	Serial No (Start)	Serial No (End)
1	36071100000	WINCH (MAIN)	1				
2	36071110000	WINCH (AUX.)	1				
3	36070820000	WINCH	1				
4	36310150000	CLUTCH,WINCH	1				
5	36310140000	CLUTCH,WINCH	1				
6	19413067000	CLUTCH,WINCH	1				
7	36091220000	HOOK (MAIN)	1				517746
	36093300000	HOOK (MAIN)	1			517747	
8	36091120000	HOOK (OPTION, 6TON OR 7TON)	1				
9	(*****)	HOOK (AUX.)	1				
10	36092290000	HOOK (OPTION,12TON)	1				516658
	36092780000	HOOK (OPTION,12TON)	1			516659	
11	(*****)	HOOK (4-PART LINE, OPTION)	1				
12	(*****)	HOOK (2-PART LINE, OPTION)	1				
13	37001800060	ROPE,WIRE (TESAC)	1				
14	37001801760	ROPE,WIRE	1				
15	37001801360	ROPE,WIRE (TSK)	1				
16	(*****)	SOCKET,ROPE	2				
17	(*****)	SOCKET,ROPE (SEIZING )	1				515968
	(*****)	SOCKET,ROPE	1			515969	
18	(*****)	OPE.ASSY, WINCH BRAKE (MAIN)	1				
19	(*****)	OPE.ASSY, WINCH BRAKE (AUX.)	1				
20	(*****)	OPE.ASSY, WINCH BRAKE (3RD WINCH)	1				
21	34310643000	BAND,WINCH BRAKE (MAIN)	1				
22	34310583000	BAND,WINCH BRAKE	1				
23	33310660010	BAND,WINCH BRAKE	1				
24	(*****)	OPE. ASSY,DRUM LOCK	1				
25	(*****)	OPE.ASSY,CLUTCH (MAIN)	1				
26	(*****)	OPE.ASSY,CLUTCH (AUX.)	1				
27	(*****)	DETECTOR,DISORDERLY WIND (MAIN)	1				
28	(*****)	DETECTOR,DISORDERLY WIND (AUX.)	1				
29	(*****)	DETECTOR,DISORDERLY WIND (3RD WINCH)	1				
30	(*****)	PIPING,WINCH (MAIN)	1				
31	(*****)	PIPING,WINCH (AUX.)	1				
32	(*****)	PIPING,WINCH (3RD WINCH)	1				
33	(*****)	PIPING,WINCH BRAKE (MAIN)	1				
34	(*****)	PIPING,WINCH BRAKE (AUX.)	1				
35	(*****)	PIPING,WINCH BRAKE (3RD WINCH)	1				
36	(*****)	DETECTOR,DRUM ROTATION (MAIN)	1				
37	(*****)	DETECTOR,DRUM ROTATION (AUX.)	1				
38	36632920000	VALVE,CLUTCH	1				
39	36672739510	JOINT,WINCH ROTARY	3				
40	(*****)	MOUNT,WINCH (MAIN)	1				
41	(*****)	MOUNT,WINCH (AUX.)	1				
42	(*****)	MOUNT,WINCH (3RD WINCH)	1				
43	36661030000	MOTOR,HYDRAULIC	2				
44	36660660000	MOTOR,HYDRAULIC (TOSHIBA)	1				
45	36061320000	CYLINDER,MASTER	3				516619
	36061550000	CYLINDER,MASTER	3			516620	
46	36601070000	VALVE,REDUCING	1				
47	36640220000	VALVE,SOLENOID	1				
48	36641020000	VALVE,SOLENOID	1				517601
	36640590000	VALVE,SOLENOID	1			517602	
49	36641880000	VALVE,HYDRAULIC	3				
50	(*****)	VALVE,COUNTERBALANCE	2				516109
	(*****)	VALVE,COUNTERBALANCE	2			516110	
51	36601800000	VALVE,COUNTERBALANCE (TOSHIBA)	1				

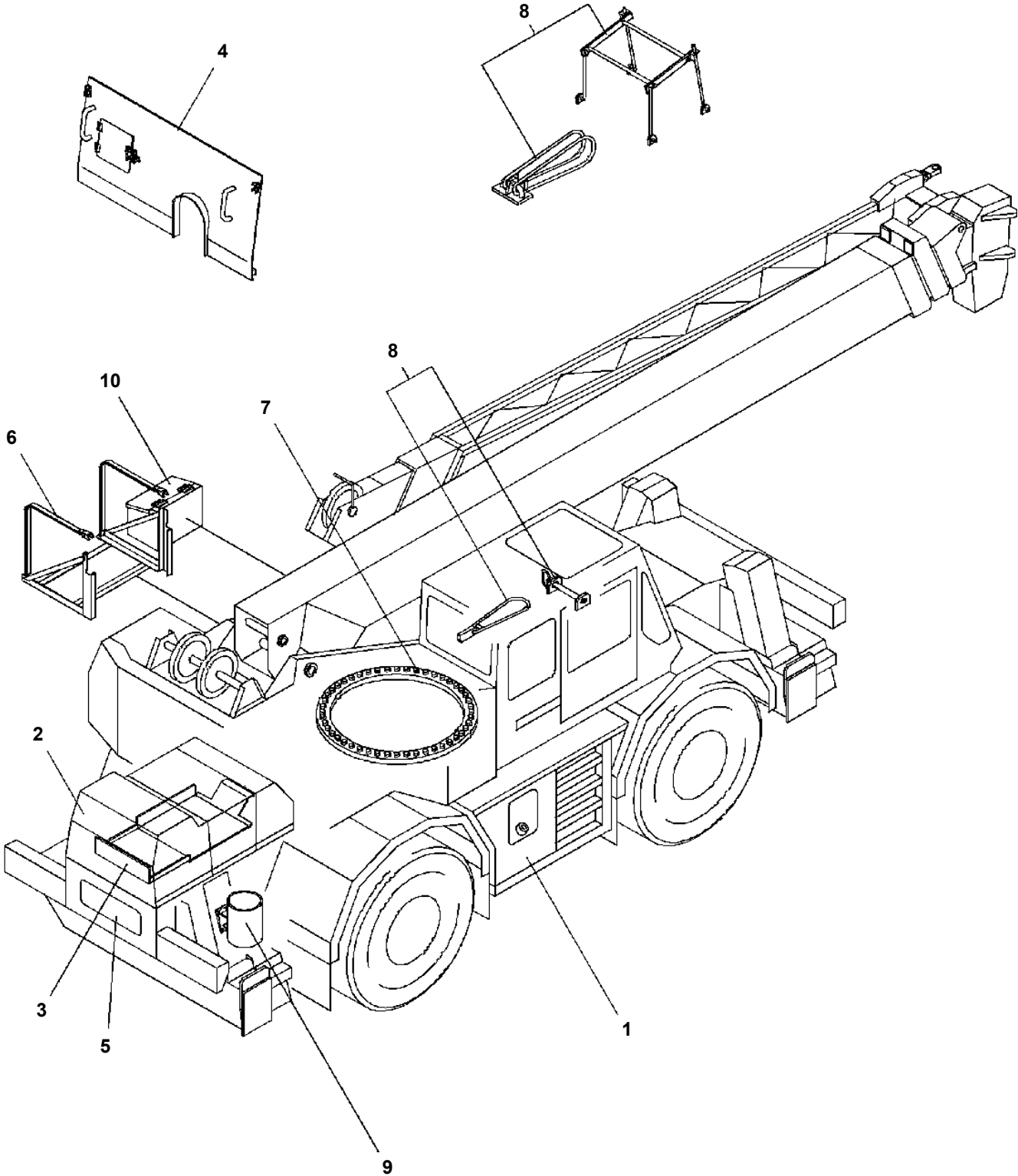
**TR-250M-4-00102 4 BOOM + JIB,3M3D  
PL1000115-02 CONTROL DEVICES**



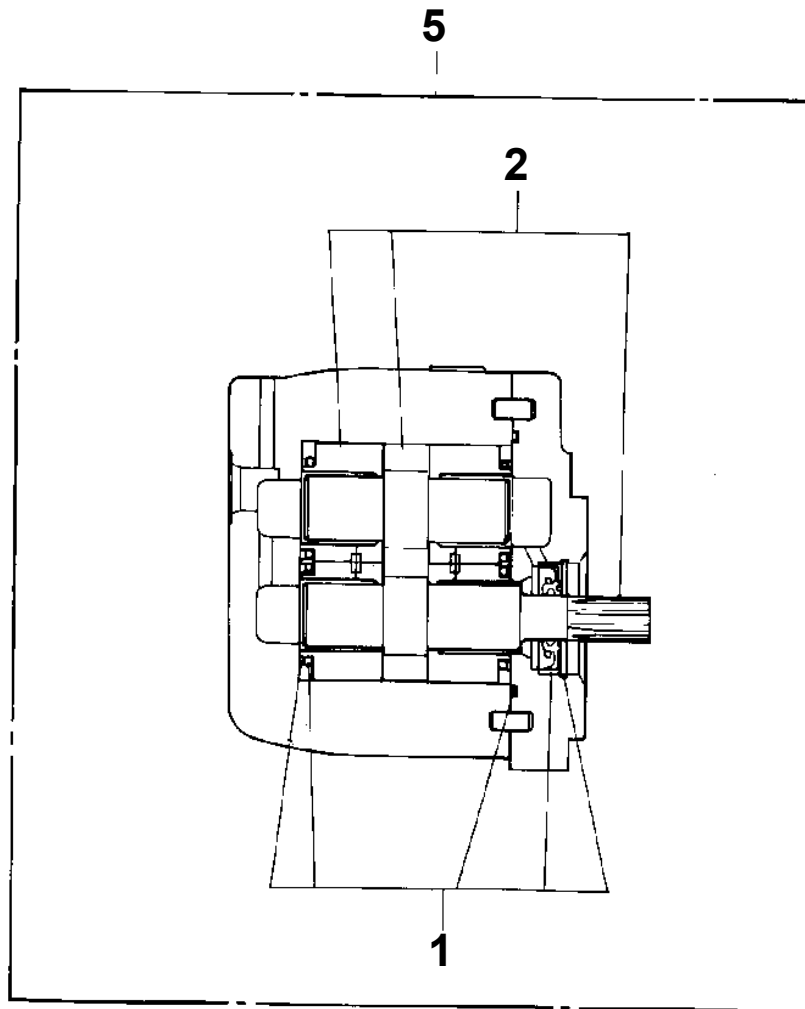
**TR-250M-4-00102 4 BOOM + JIB,3M3D  
PR1000029-01 DRIVING POWER TRANSMISSION SYSTEM**



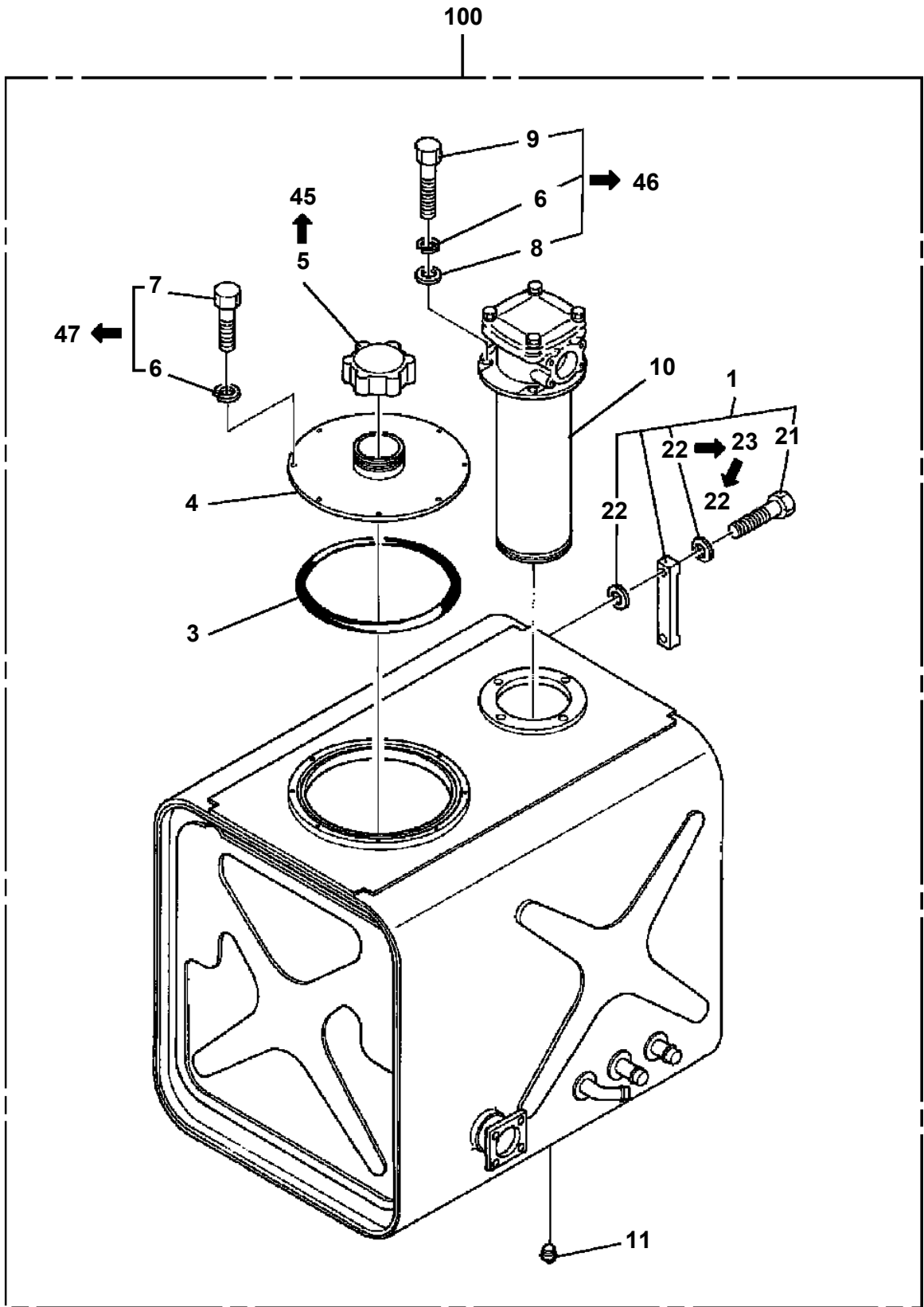
**TR-250M-4-00102 4 BOOM + JIB,3M3D  
PX1000115-02 MOUNTING PARTS**



TR-250M-4-00102 4 BOOM + JIB,3M3D  
PB1100020-00 PUMP, HYDRAULIC (EMERGENCY STEERING)



TR-250M-4-00102 4 BOOM + JIB,3M3D  
PB1130194-02 TANK,OIL

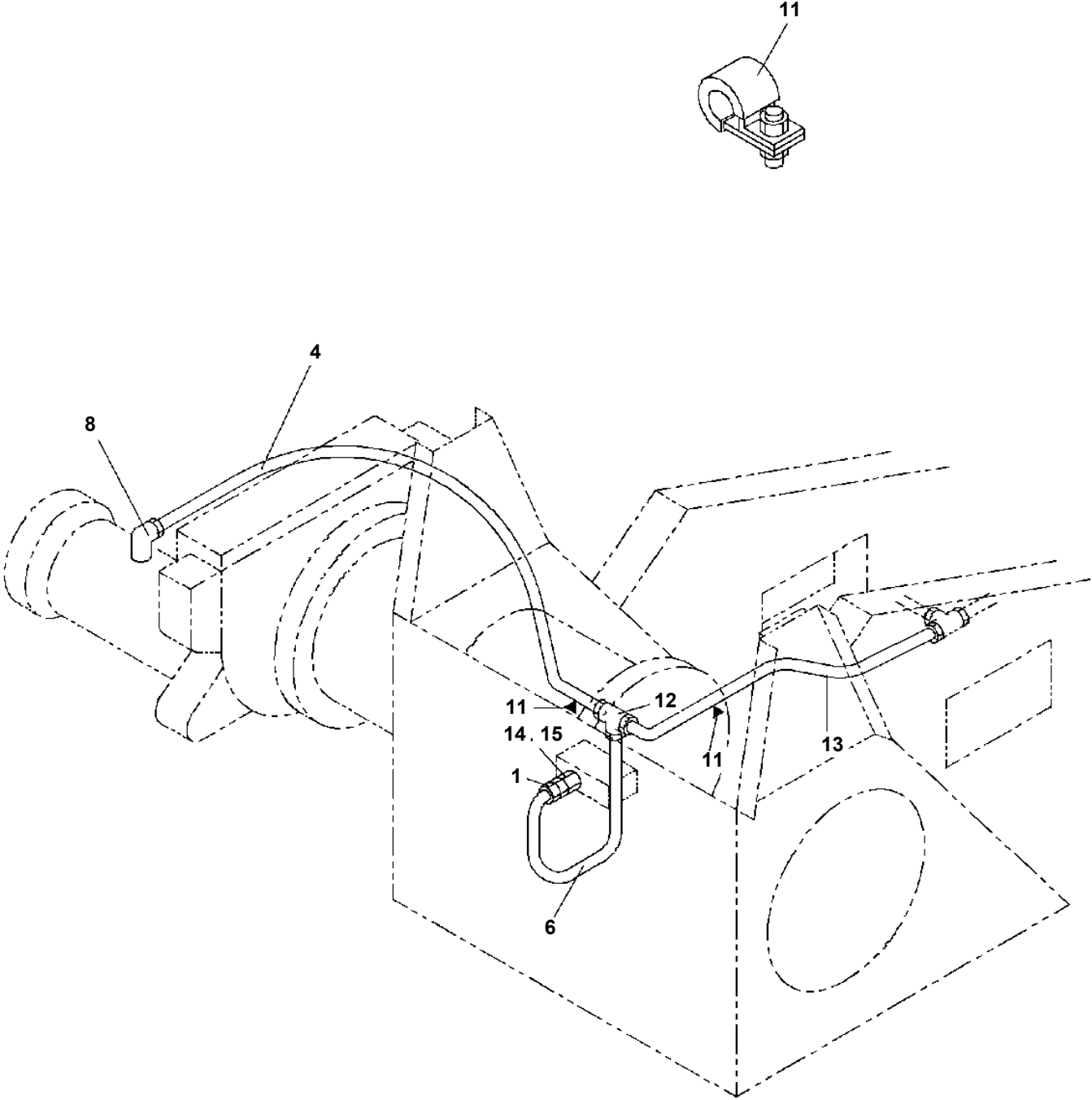


展開圖有  
ILLUSTRATED BREAKDOWN NO.5,45

# TR-250M-4-00102 4 BOOM + JIB,3M3D

Pos No.	Parts No	Parts Name	Qty	Unit	Technical Data	Serial No (Start)	Serial No (End)	Remarks	Pages
1	80430470850	JOINT	2						
2	37002417590	HOSE	2		L=375				
3	81408000241	PIPE,STEEL	1	M	18X1.9T				
4	37000704440	CLAMP ASSY	6						
5	80301010160	FITTING	1		KUA18-000N				
6	81408000241	PIPE,STEEL	2	M	18X1.9T				
7	37000900120	JOINT	2						
8	37002407890	HOSE	2		L=400				
9	37000906820	JOINT	2		L,G1/2-18				
10	37000701350	CLAMP ASSY	2						
11	81408000241	PIPE,STEEL	1	M	18X1.9T				
12	80305010160	FITTING,TEE	3		KTA18-000E				
13	81408000241	PIPE,STEEL	1	M	18X1.9T				
14	81408000241	PIPE,STEEL	1	M	18X1.9T				
15	80302010230	FITTING	2		KCT18-030N				
16	37000709850	CLAMP ASSY	2						
17	81408000241	PIPE,STEEL	1	M	18X1.9T				
18	37000705000	CLAMP ASSY	2						
19	81408000241	PIPE,STEEL	1	M	18X1.9T				
20	81408000241	PIPE,STEEL	1	M	18X1.9T				
21	80305050160	FITTING,TEE	1		KTK18-040N				
22	37002502400	HOSE	1		L=335				
23	91803600900	CLIP	8		D=70-90				
24	80303130281	FITTING,ELBOW	1		KLO22-060E				
26	81408000290	PIPE,STEEL	1	M	22X2.5T				
27	80305050200	FITTING,TEE	1		KTK22-060N				
28	90101212030	BOLT	4		M12X30				
29	90302041201	WASHER,SPRING	4		12				
30	19045110000	VALVE,SOLENOID	1						00016
31	37000524280	PLATE	1						
32	37002503470	HOSE	1		L=400				
33	34640275200	FITTING,FLANGE	1						
34	91002906500	O-RING	1		1B G65				
35	37000909990	JOINT	1						
36	37002505200	HOSE	2		L=425				
37	91803600350	CLIP	8		D=25-35				
38	81408000241	PIPE,STEEL	2	M	18X1.9T				
40	80430620800	JOINT	1						
41	80400160120	FITTING	1		20376-U1/2X1/2				
42	37000705930	CLAMP ASSY	3		D=12				
43	80302090241	FITTING	1		KCO18-040N				
44	91002801800	O-RING	2		1B P18				
45	90101208025	BOLT	2		M8X25				
46	90302040801	WASHER,SPRING	2		8				
47	80302090271	FITTING	1		KCO22-040N				
48	81408000290	PIPE,STEEL	1	M	22X2.5T				
49	34640275300	JOINT ASSY	1						
50	89640201000	HOSE	1		660-NFK,1M				
51	80400160119	FITTING	1		20376-U3/8X3/8				
52	91000590600	O-RING	1		AS568 906				
53	80460003060	JOINT	1						
54	80400160104	FITTING	1		20368-U3/8X3/8				
55	34640275500	JOINT	1						
56	80400160105	FITTING	1		20368-U1/2X3/8				
57	89640102000	HOSE	1		880-NFK,2M				
58	81408000241	PIPE,STEEL	1	M	18X1.9T				
59	37000708120	CLAMP ASSY	2						
60	34640275250	GUARD	1						
61	37000528630	PLATE	2						
62	34640275400	JOINT	1						
63	90101208025	BOLT	4		M8X25				
64	90302040801	WASHER,SPRING	4		8				
70	91002802400	O-RING	1		1B P24				

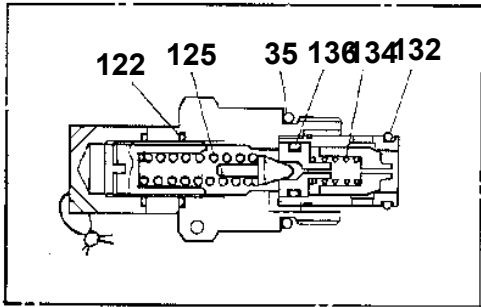
TR-250M-4-00102 4 BOOM + JIB,3M3D  
PB1270023-00 PIPING,DRAIN



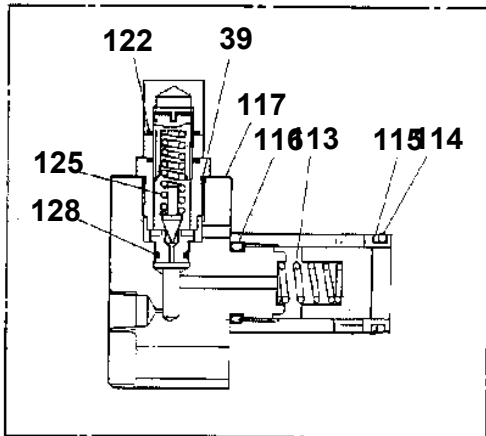
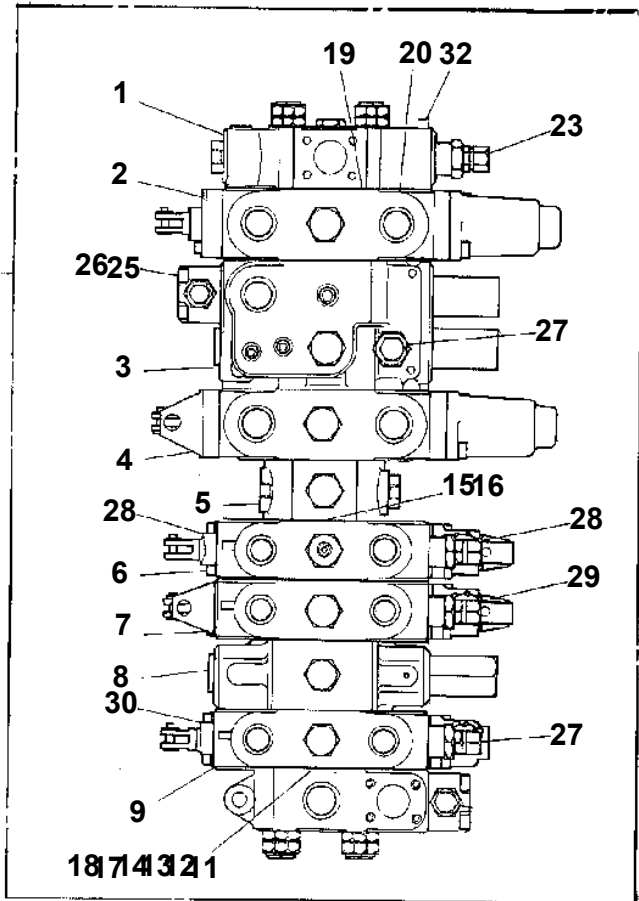
TR-250M-4-00102 4 BOOM + JIB,3M3D  
 PB1320081-01 VALVE,MANUAL CONTROL (3M3D)

150

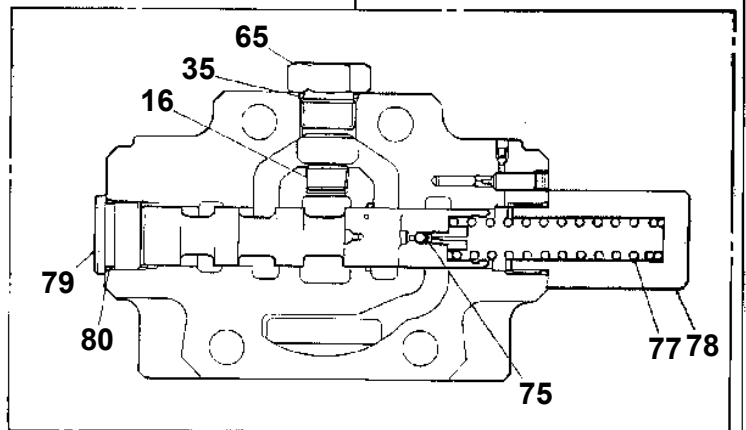
23  
 30  
 28  
 27



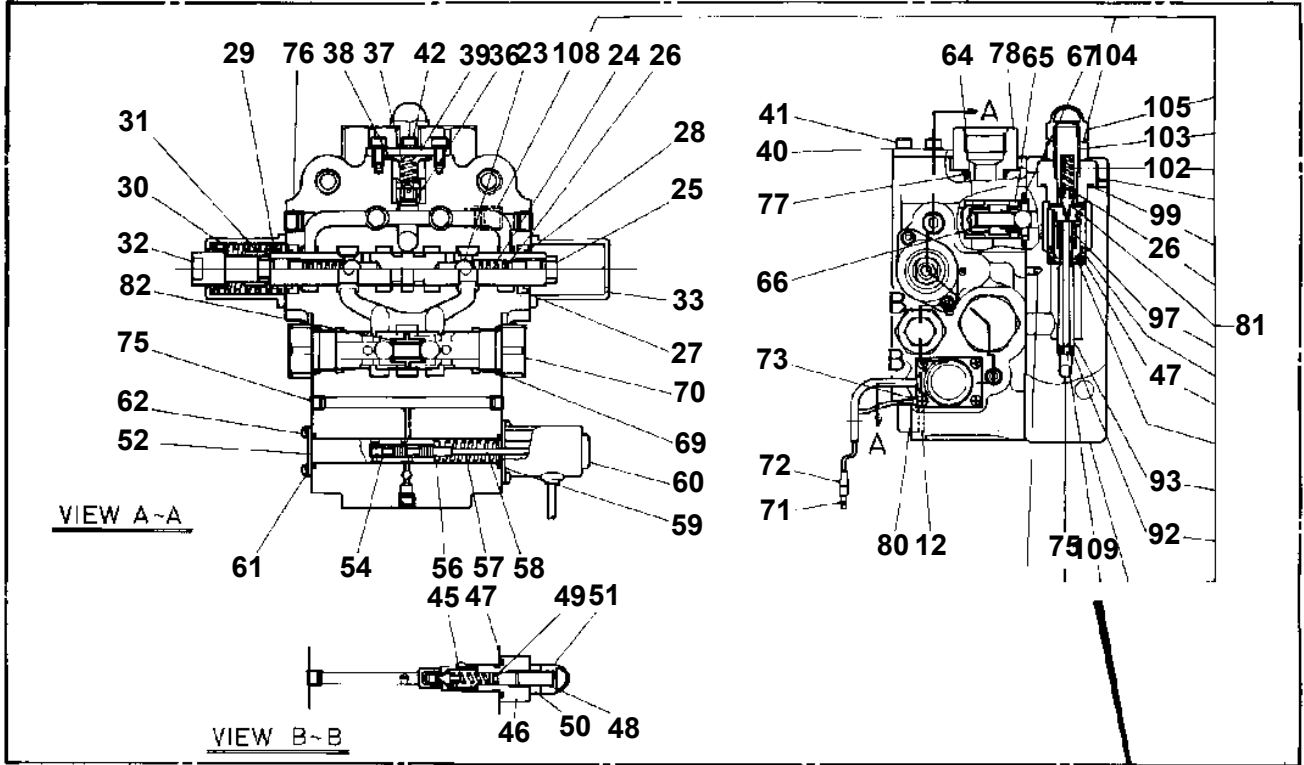
25



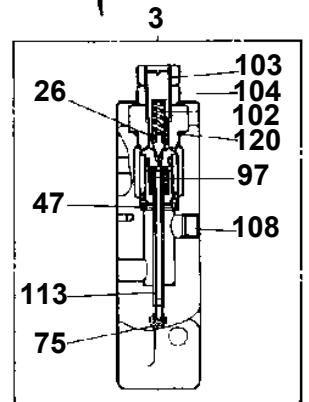
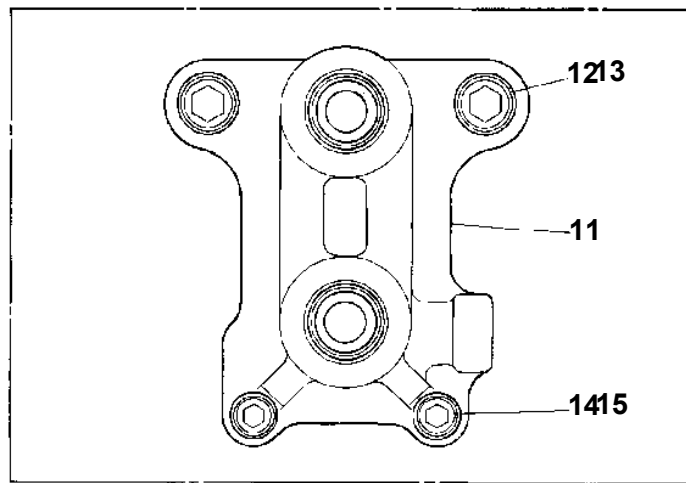
8



TR-250M-4-00102 4 BOOM + JIB,3M3D  
 PB1320084-01 VALVE,MANUAL CONTROL (SWING)



2

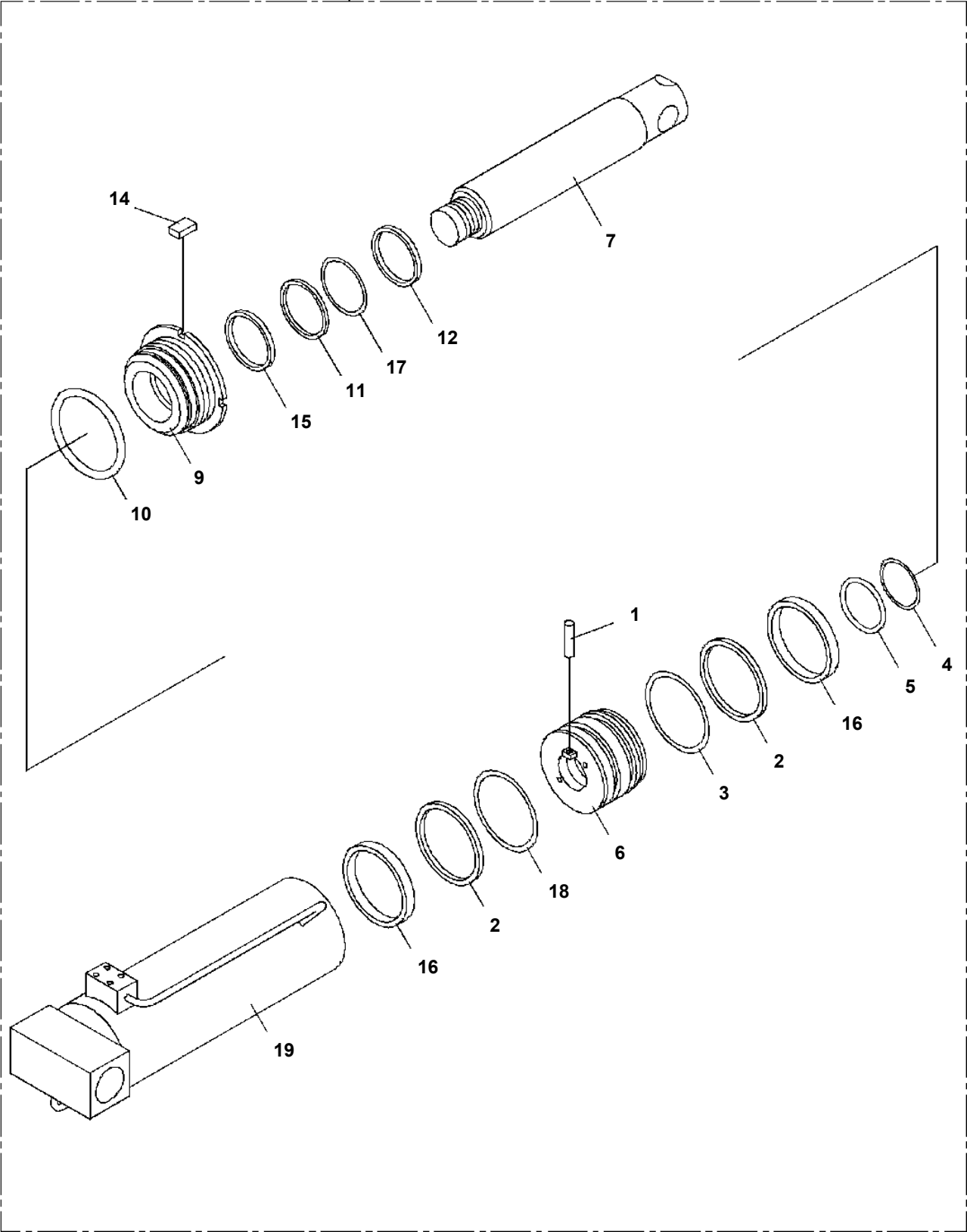


# TR-250M-4-00102 4 BOOM + JIB,3M3D

Pos No.	Parts No	Parts Name	Qty	Unit	Technical Data	Serial No (Start)	Serial No (End)
58	90131508040	BOLT,HEXAGON SOCKET	4		M8X40		
59	90131508030	BOLT,HEXAGON SOCKET	6		M8X30		
	90131508030	BOLT,HEXAGON SOCKET	2		M8X30		517744
	90131508030	BOLT,HEXAGON SOCKET	4		M8X30	517744	
60	36631055170	PLUG	3				
61	91002800600	O-RING	3		1B P6		
62	36631055320	PLUG (CHECK VALVE)	6				
	36631055320	PLUG (CHECK VALVE)	1				517744
	36631055320	PLUG (CHECK VALVE)	1			517744	
65	36631055310	SPRING	3				
75	36630285260	SPRING	3				
77	36631055180	SPRING	3				
78	36631055190	RETAINER (SPRING)	3				
79	36632585150	PLUG	3				
80	91002903000	O-RING	5		1B G30		
96	16095101150	SEAL,OIL	4				
	16095101150	SEAL,OIL	2			517744	
97	36632585170	SUPPORT (J)	1				517744
	36633496100	SUPPORT (R)	2			517744	
98	36631055280	SPRING	2				
	36631055280	SPRING	1			517744	
99	16095101120	RETAINER (SPRING)	4				
	16095101120	RETAINER (SPRING)	2			517744	
100	36631505190	COVER (SPRING)	1				
	36631505190	COVER (SPRING)	1			517744	
101	36631505200	END,SPOOL	1				
	36631505200	END,SPOOL	1			517744	
104	90131508015	BOLT,HEXAGON SOCKET	4		M8X15		
	90131508015	BOLT,HEXAGON SOCKET	2		M8X15	517744	
105	16095101140	RETAINER (SEAL)	2				
	16095101140	RETAINER (SEAL)	1			517744	
106	19415103010	PLUG (CHECK VALVE)	1			517744	
109	13635101010	SPRING	1			517744	
113	16095101360	SPRING	2				
114	91002802800	O-RING	2		1B P28		
115	91411002800	RING,BACKUP	2		P28		
116	91002802201	O-RING	2		1B P22A		
117	13215111010	PACKING	2				
122	91001001600	O-RING	2		1A S16		516836
	91001001600	O-RING	9		1A S16		
	91001001600	O-RING	1		1A S16	516836	
125	16025153020	SPRING	6				
128	91002800900	O-RING	2		1B P9		
132	91000501500	O-RING	7		AS568-015		
134	16025153030	SPRING	4				
136	91002801001	O-RING	4		1B P10A		
142	16095101100	SPACER	1				
143	90131512025	BOLT,HEXAGON SOCKET	1		M12X25		
145	36632585190	SUPPORT (K)	1				
	36633496200	SUPPORT (Q)	1			517744	
147	36630605080	COVER (SPRING)	1				
150	36633610000	VALVE,MANUAL CONTROL (3M3D,SPR. CENTER)	1				

**TR-250M-4-00102 4 BOOM + JIB,3M3D  
PC1030038-00 CYLINDER,JACK**

50



**TR-250M-4-00102 4 BOOM + JIB,3M3D**

Pos No.	Parts No	Parts Name	Qty	Unit	Technical Data	Serial No (Start)	Serial No (End)	Remarks	F
1	37001703200	CABLE,CONTROL	1						
2	37001703210	CABLE,CONTROL	1						
3	37000105720	PIN	4						
4	90303070601	WASHER,PLAIN	14		6				
5	80136320010	PIN,SPLIT	4		2X10				
6	37000532990	PLATE	1						
7	37000518090	PLATE	1						
8	90102210040	BOLT	1		M10X40				
9	90201201000	NUT	1		M10				
10	34730230200	LINK	1						
12	80136332020	PIN,SPLIT	1		3.2X20				
13	34730620200	SUPPORT	1						
14	34730621000	SWITCH ASSY	1						
15	82100002006	CLAMP	3		WR10				
16	90101206012	BOLT	2		M6X12				
17	90302040601	WASHER,SPRING	10		6				
18	34730622000	LEVER ASSY	1						
19	37000709060	CLAMP ASSY	1						
20	90101206040	BOLT	7		M6X40				
21	90201200600	NUT	17		M6				
22	34730620301	SUPPORT	1						
23	90101208020	BOLT	3		M8X20				
24	90302040801	WASHER,SPRING	5		8				
25	34730230010	GUARD	1						
26	32700007000	LEVEL ASSY	1						
27	37000518080	PLATE	1						
28	82100002004	CLAMP	7		WR8				
29	34730620401	SUPPORT	1				515981		
30	90303070801	WASHER,PLAIN	3		8				
31	19414033000	SPRING	1						
32	37002204550	PLATE,NAME	1						
33	56570031000	PLATE,NAME	1						
34	90101206060	BOLT	1		M6X60				
35	82100002008	CLAMP	1		WR12				
36	37000702390	CLAMP ASSY	1						
37	37000510060	PLATE	1						
38	90101208014	BOLT	2		M8X14				
39	34730620500	SUPPORT	1			515982			
40	80804014015	BEARING,PLAIN	2						
41	80804012010	BEARING,PLAIN	2						
48	90102210040	BOLT	1		M10X40				
49	90201201000	NUT	1		M10				
50	34730628010	LINK ASSY	1						
51	90303071201	WASHER,PLAIN	2		12				
61	11624560000	KNOB	1						
62	34730622100	LEVER	1						
63	80720105025	PIN,SPRING	1		5X25				
64	34730622200	LEVER	1						
71	34730621100	BOX	1						
72	34330052100	GROMMET	1						
73	82100001959	CABLE	1						
74	80172304012	SCREW,MACHINE	1		M4X12				
75	90201200400	NUT	1		M4				
76	90303070401	WASHER,PLAIN	2		4				
77	90302040401	WASHER,SPRING	1		4				
78	82400000388	CHAIN	1						
79	34730621500	PANEL	1						
80	82100002333	PLUG	1						
81	82100002291	CONNECTOR	1						
82	82100002256	TERMINAL	7						
83	82100000969	PLUG	2						
84	82100001696	SWITCH,TOGGLE	2						
85	82100001382	SWITCH,PUSH (BLACK)	4						

# TR-250M-4-00102 4 BOOM + JIB,3M3D

Pos No.	Parts No	Parts Name	Qty	Unit	Technical Data	Serial No (Start)	Serial No (End)	Remarks
1	36340150000	REDUCER ASSY	1					
2	36660980000	MOTOR ASSY	1					
3	36080415010	NIPPLE	1					
4	36080415020	JOINT,ELBOW	1					
5	80316080080	PLUG	1		PT1/2			
11	36340155010	HOUSING (GEAR)	1					
12	36340155020	SHAFT (R)	1					
13	80500022217	BEARING,BALL	1					
14	16623320050	SEAL,OIL	1					
15	36080155280	WASHER	3					
16	80165106010	SCREW,MACHINE	3		M6X10			
17	36340155030	SPIDER	1					
18	36340155040	GEAR (P2)	3					
19	36340155050	PIN,KING (P2)	3					
20	16623320100	BEARING,THRUST	6					
21	36340155060	BEARING,NEEDLE	6					
22	80720106025	PIN,SPRING	3		6X25			
23	36340155070	RING,THRUST	2					
24	36340155080	PIN	3		18X40			
25	36340155090	BEARING	1					
26	90131516060	BOLT,HEXAGON SOCKET	6		M16X60			
27	36340155100	GEAR (R2)	1					
28	80730130025	PIN	1		13X25			
29	18335116040	O-RING	2					
30	36340155110	PIN	2		20X65			
31	36340155120	COVER,END	1					
32	90131512080	BOLT,HEXAGON SOCKET	2		M12X80			
33	36340155130	GEAR (S2)	1					
34	36340155140	GEAR (P1)	3					
35	36340155150	BEARING,NEEDLE	3					
36	36340155160	PIN,KING (P1)	3					
37	36080155220	WASHER	3					
38	80601110200	RING,RITAINING	3		S20			
39	80720106018	PIN,SPRING	3		6X18			
40	36340155170	CARRIER	1					
41	80601110500	RING,RITAINING	1		S50			
42	36340155180	O-RING	2					
43	80316030020	PLUG	1		PT1/8			
44	90101510050	BOLT	13		M10X50			
45	90101510075	BOLT	2		M10X75			
46	90302041001	WASHER,SPRING	15		10			
47	80316030060	PLUG	6		PT3/8			
48	36340155190	GEAR (R1)	1					
51	36660985010	SHAFT	1					
52	80500006305	BEARING,BALL	1					
53	36660025140	SEAL,OIL	1					
54	36660985070	ROLLER,NEEDLE	3					
55	36660985040	PLATE (CAM)	1					
56	80720110020	PIN,SPRING	1		10X20			
57	36660985050	BARREL,CYLINDER	1					
58	36660495070	HOLDER,PLUNGER	1					
59	36660985030	HOUSING ASSY	1					
60	36660985090	FACING	1					
61	80500006006	BEARING,BALL	1					
62	14315102190	O-RING	1					
63	36660985110	COVER (BOTTOM)	1					
64	18335116940	BREATHER,AIR	1					
67	80602110520	RING,RITAINING	1		R52			
68	36660985100	SPRING (BRAKE)	20					
70	36660125050	PLUG	1		PT1/4			
72	59451302360	CAP (AIR BLEEDER SCREW)	1					
82	36660985060	SPRING (CENTER)	1					
83	80602110450	RING,RITAINING	1		R45			

## TR-250M-4-00102 4 BOOM + JIB,3M3D

Pos No.	Parts No	Parts Name	Qty	Unit	Technical Data	Serial No (Start)	Serial No (End)
1	34380300100	SUPPORT	1				
2	82100002006	CLAMP	1		WR10		
3	90201200600	NUT	1		M6		
4	90303070601	WASHER,PLAIN	2		6		
5	90302040601	WASHER,SPRING	1		6		
6	82100000953	GROMMET	1				
7	37001703510	CABLE,CONTROL	1				
8	37000515600	PLATE	1		T=1.0		
9	19119314000	SPRING	1				
10	80136332025	PIN,SPLIT	1		3.2X25		
11	80601110200	RING,RITAINING	1		S20		
12	34380300200	LEVER	1				
13	19114207000	KNOB (BLACK)	1				
14	34380300300	LEVER	1				
15	80192485014	SCREW,MACHINE (WITH WASHER)	4		M5X14		
16	34380300400	COVER	1				
17	88200102060	END	1				
18	37000109680	PIN	2				
19	80136316012	PIN,SPLIT	2		1.6X12		
20	90191210050	BOLT	1		M10X50		
21	90302041001	WASHER,SPRING	1		10		
22	34380300500	SUPPORT	1				
23	34380300600	PIN	1				
24	37000515590	PLATE	1		T=0.5		
30	34380308010	LEVER ASSY	1				

# TR-250M-4-00102 4 BOOM + JIB,3M3D

Pos No.	Parts No	Parts Name	Qty	Unit	Technical Data	Serial No (Start)	Serial No (End)	Remarks	P
1	36071105010	CASE,GEAR	1				517189		
	36071105011	CASE,GEAR	1			517190			
2	36071105020	COVER (CASE)	1						
3	36071105030	GEAR,PINION	1				515968		
	36071105031	GEAR,PINION	1			515969			
4	36071105040	GEAR,DRUM	1				516236		
	36071105041	GEAR,DRUM	1			516237			
5	36071105050	DRUM,SHAFT (MAIN)	1				515968		
	36071105051	DRUM,SHAFT (MAIN)	1			515969			
6	36071105060	SPACER	1						
7	36070395030	SPACER	1						
8	36071105070	COVER (A)	1						
9	36071105080	COLLAR	1						
10	36070395040	COVER (B)	1				517189		
	36071105190	COVER (B)	1			517190			
11	36071105090	SPACER	1				516236		
12	36071105100	COVER (B)	1						
13	36071105110	BOSS (CLUTCH)	1						
14	36071105120	PACKING (SEAT)	1						
15	36071105130	DRUM (MAIN)	1						
16	36071105140	PLATE	4				515968		
17	19413066000	PLUG	1		PT3/4X1/8				
18	80500006311	BEARING,BALL	2						
19	80522002170	BEARING,ROLLER	1						
20	80522002140	BEARING,ROLLER	1				515968		
	80500006214	BEARING,BALL	1			515969			
21	80516006218	BEARING,BALL	2						
22	80516006216	BEARING,BALL	1						
23	91216060001	SEAL,OIL	1				515968		
	91206060001	SEAL,OIL	1			515969			
24	91216105001	SEAL,OIL	1				515968		
	91206105001	SEAL,OIL	1			515969			
25	91216012002	SEAL,OIL	1				515968		
	91206012002	SEAL,OIL	1			515969			
26	91001208500	O-RING	1		1A G85				
27	80561100140	NUT	1		AN14				
28	80561100180	NUT	1		AW18				
29	80562100140	WASHER,TOOTH	1		AW14				
30	80562100180	WASHER,TOOTH	1		AW18				
31	80601110800	RING,RITAINING	1		S80				
32	80313010060	PACKING (COPPER 14)	1						
33	36310150000	CLUTCH,WINCH	1						
34	90191716035	BOLT	10		M16X35		515968		
	90191516035	BOLT	10		M16X35	515969			
35	90101210030	BOLT	18		M10X30		515968		
	90101210025	BOLT	18		M10X25	515969			
36	90101210025	BOLT	12		M10X25				
37	90302041601	WASHER,SPRING	2		16		515968		
	90302051601	WASHER,SPRING (16)	10			515969			
38	90302041001	WASHER,SPRING	30		10				
39	80303080080	ELBOW	1						
40	80205000600	PLUG	1		PT3/4				
41	80205000400	PLUG	1		PT1/2				
42	14123000400	BREATHER	1		PT1/8				
49	36071105170	COLLAR	1			515969			
50	91001204500	O-RING	1		1A G45	515969			
51	80601110450	RING,RITAINING	1		S45	515969			
52	36071105180	PIN	1			515969			
100	36071100000	WINCH (MAIN)	1						

## TR-250M-4-00102 4 BOOM + JIB,3M3D

Pos No.	Parts No	Parts Name	Qty	Unit	Technical Data	Serial No (Start)	Serial No (End)	Re
1	36091120010	PLATE	1					
2	37001002850	SHEAVE ASSY	1					
3	37000303490	SPACER	2					
4	90101516035	BOLT	4		M16X35			
5	19411557000	PLATE	2					
6	19411556000	PLATE	2					
7	37000122360	PIN	1					
8	14231504000	BOLT	3					
9	90302041601	WASHER,SPRING	3		16			
11	80500051211	BEARING,BALL	1					
12	90101512025	BOLT	4		M12X25			
13	37000509220	PLATE	2					
14	36091120020	TRUNNION	1					
15	37000105190	PIN	1					
16	90303070801	WASHER,PLAIN	1		8			
17	80136320016	PIN,SPLIT	1		2X16			
18	37001400030	SPRING	1					
20	36090279540	HOOK ASSY	1					
21	37000105000	PIN	1					
22	37000522980	PLATE	2					
23	82456101000	NIPPLE,GREASE	1		A-PT1/8			
24	14211522000	GRIP	2					
25	36091120030	PLATE	1					
32	80612111250	RING,RITAINING	1		AR125			
33	80515006214	BEARING,BALL	2					
40	36090279530	STOPPER ASSY	1					
50	36091120000	HOOK (OPTION, 6TON OR 7TON)	1					

# TR-250M-4-00102 4 BOOM + JIB,3M3D

Pos No.	Parts No	Parts Name	Qty	Unit	Technical Data	Serial No (Start)	Serial No (End)	R
1	36091120000	HOOK (OPTION, 6TON OR 7TON)	1					
11	34472351100	PLATE,NAME	1					
14	13627152000	PLATE,NAME (6TON)	2					
15	12117140000	PLATE,NAME (GREASE)	1					
16	36091521020	PLATE,CAUTION (2- PART LINES)	1					

# TR-250M-4-00102 4 BOOM + JIB,3M3D

Pos No.	Parts No	Parts Name	Qty	Unit	Technical Data	Serial No (Start)	Serial No (End)	Remarks	Pages
1	37001801360	ROPE,WIRE (TSK)	1						

# TR-250M-4-00102 4 BOOM + JIB,3M3D

Pos No.	Parts No	Parts Name	Qty	Unit	Technical Data	Serial No (Start)	Serial No (End)	Remarks	Page
1	37000904800	NUT,FLARE	2		M10				
2	33330010080	BOLT,EYE	1						
3	33330010090	JOINT	1						
4	33330010100	GASKET	2						
5	37002505530	HOSE	1						
6	91803600160	CLIP	4		D=11-16				
7	37002505490	HOSE	1		L=200				
8	37002500160	HOSE	1						
9	37000904200	FITTING,ELBOW	1						
10	34330688020	PIPE ASSY	1						
12	34330670200	JOINT	1						
13	90302040801	WASHER,SPRING	1		8				
14	8210002001	CLAMP	1		WR5				
15	90201200800	NUT	1		M8				
20	34330558010	PEDAL ASSY	1						
21	34330551100	END	1						
22	90102206050	BOLT	1		M6X50				
23	90201200600	NUT	1		M6				
24	34330551200	PEDAL	1						
25	34330161400	COVER	1						
26	34330551300	SUPPORT	1						
27	19114411000	SPRING	1						
28	37000124970	PIN	1						
29	37000124950	PIN	1						
30	90101208012	BOLT	2		M8X12				
31	90302040801	WASHER,SPRING	2		8				
32	90191210055	BOLT	2		M10X55				
33	90201201000	NUT	2		M10				
34	90302041001	WASHER,SPRING	2		10				
35	36061320000	CYLINDER,MASTER	1				516619		0001
	36061550000	CYLINDER,MASTER	1			516620			0001
36	34330551400	ROD	1						
37	90266201000	NUT	1		M10				
51	80569001626	BEARING,NEEDLE	1						
52	80569001616	BEARING,NEEDLE	2						

# TR-250M-4-00102 4 BOOM + JIB,3M3D

Pos No.	Parts No	Parts Name	Qty	Unit	Technical Data	Serial No (Start)	Serial No (End)
1	34380310100	SUPPORT	1				
2	34380310200	CLICK	1				
3	34380310300	SUPPORT	1				
4	34380310400	CLICK	1				
5	37001703160	CABLE,CONTROL	1				515968
	37001703460	CABLE,CONTROL	1			515969	
6	37001703170	CABLE,CONTROL	1				515968
	37001703500	CABLE,CONTROL	1			515969	
7	37000704650	CLAMP ASSY	4				
8	37000704800	CLAMP ASSY	2				
9	37000704660	CLAMP ASSY	3				
	37000704660	CLAMP ASSY	2			515969	
12	34380310500	COVER	1				
13	80192485014	SCREW,MACHINE (WITH WASHER)	4		M5X14		
14	37001300010	SPRING	2				
15	90101210022	BOLT	2		M10X22		
16	90302041001	WASHER,SPRING	2		10		
17	19214410000	SPRING	2				
18	37000105720	PIN	4				
19	90303070601	WASHER,PLAIN	4		6		
20	80136320010	PIN,SPLIT	4		2X10		
21	37000302190	SPACER	2				
22	37000303050	SPACER	2		L=9		
23	37000103490	PIN	2				
24	37000509520	SUPPORT	2				
25	37000515590	PLATE	2		T=0.5		
31	34380000300	LEVER	1				
32	80136320010	PIN,SPLIT	2		2X10		
33	19414071000	PIN	2				
34	90303070601	WASHER,PLAIN	2		6		
35	19119314000	SPRING	2				
36	80136325012	PIN,SPLIT	2		2.5X12		
37	34380000400	LEVER	2				
38	19114207000	KNOB (BLACK)	1				
41	19114205000	KNOB (BROWN)	1				
42	34380000200	LEVER	1				
50	80801003020	BEARING,PLAIN	2				
60	34380068010	LEVER ASSY	1				
70	34380068020	LEVER ASSY	1				

# TR-250M-4-00102 4 BOOM + JIB,3M3D

Pos No.	Parts No	Parts Name	Qty	Unit	Technical Data	Serial No (Start)	Serial No (End)	Remarks	Pages
1	34440701000	ROLLER ASSY	1						
2	90101210030	BOLT	8		M10X30				
3	90302041001	WASHER,SPRING	8		10				
4	90303071001	WASHER,PLAIN	8		10				
5	90102208035	BOLT	2		M8X35				
6	90201200800	NUT	2		M8				
7	37001300250	SPRING	2						
8	34440692010	PLATE	2						
9	34441651000	SUPPORT	1						
11	34440631300	ROLLER	1						
12	37000303200	SPACER	4		L=12.5				
13	80602110520	RING,RITAINING	2		R52				
14	80516006205	BEARING,BALL	2						
15	34440701100	ROLLER	1						
16	34440631100	ROLLER	1						
17	34440681200	LEVER	1						
18	37000127440	PIN	2						
19	37000304200	SPACER	2		L=14				
20	90303072401	WASHER,PLAIN	2		24				
21	34440681300	SUPPORT	1						
22	34440681400	LEVER	1						
23	34440681500	SUPPORT	1						
24	90101510016	BOLT	2		M10X16				
25	90302041001	WASHER,SPRING	2		10				
51	34440709510	ROLLER ASSY	1						

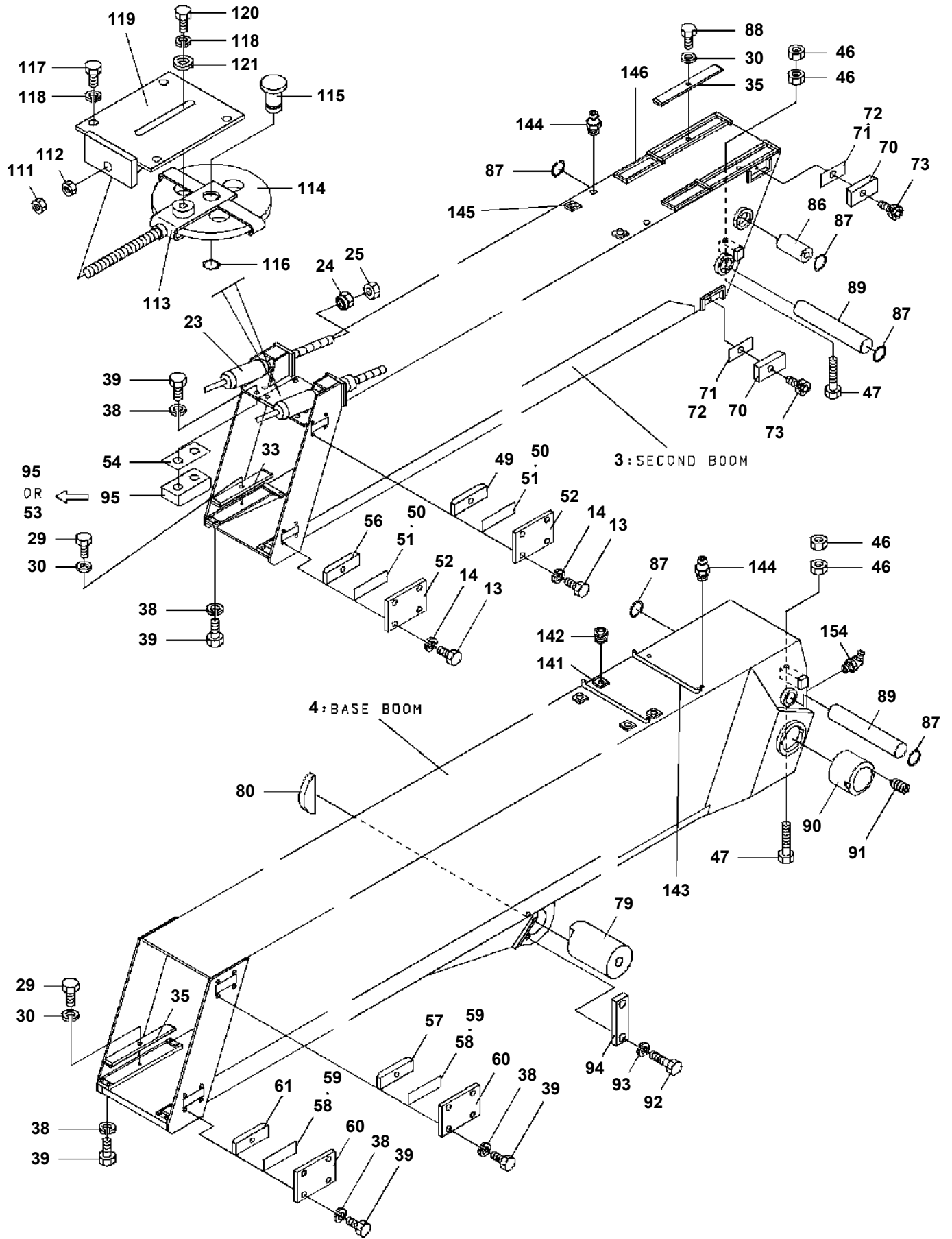
# TR-250M-4-00102 4 BOOM + JIB,3M3D

Pos No.	Parts No	Parts Name	Qty	Unit	Technical Data	Serial No (Start)	Serial No (End)	Remarks	Pages
1	37002421800	HOSE	1		L=530				
2	37002412850	HOSE	1		L=425				
3	37002421680	HOSE	1		L=400				
4	81408000130	PIPE,STEEL	2	M	10X1.8T				
5	81408000130	PIPE,STEEL	2	M	10X1.8T				
6	81408000130	PIPE,STEEL	2	M	10X1.8T				
7	80302010100	FITTING	3		KCT10-020N				
8	80301010080	FITTING	1		KUA10-000E				
9	80320010050	FITTING	1		KUD10-020N				
10	37000913660	JOINT	1						
11	59457138000	PLUG ASSY	1						
12	80400160127	JOINT	1						
13	37000702220	CLAMP ASSY	2						
14	37000300720	SLEEVE	5		12-10				
15	37000601010	CLAMP	1						
16	37000601310	CUSHION	2						
17	90101508050	BOLT	1		M8X50				
18	90302040801	WASHER,SPRING	1		8				
19	37001601160	NUT	1		M10				
20	90304111001	WASHER,TOOTH	1		10				
21	80430620400	JOINT	2						
22	91002801100	O-RING	1		1B P11				
30	91002801100	O-RING	2		1B P11				

# TR-250M-4-00102 4 BOOM + JIB,3M3D

Pos No.	Parts No	Parts Name	Qty	Unit	Technical Data	Serial No (Start)	Serial No (End)	Remarks	P
1	36672739510	JOINT,WINCH ROTARY	1						

**TR-250M-4-00102 4 BOOM + JIB,3M3D  
PG1010114-02 BOOM**



# TR-250M-4-00102 4 BOOM + JIB,3M3D

Pos No.	Parts No	Parts Name	Qty	Unit	Technical Data	Serial No (Start)	Serial No (End)	Remarks	Page
204	90303070801	WASHER,PLAIN	2		8				
205	80136320015	PIN,SPLIT	2		2X15				
206	14121854000	COVER	1						
207	14121851000	PIN (STOPPER)	1						
208	34220421240	SUPPORT	1						
209	16311309000	SPRING	1						
211	19218903000	HOLDER	1						
212	34220125100	HANDLE	1						
213	56260007000	HOLDER	2						
214	34220125200	SUPPORT	1						
300	34220428010	JIB ASSY	1						



# TR-250M-4-00102 4 BOOM + JIB,3M3D

Pos No.	Parts No	Parts Name	Qty	Unit	Technical Data	Serial No (Start)	Serial No (End)	Remarks	Pages
7	34440980400	GUIDE	1						
8	34440980500	GUIDE	1						
17	34440980610	GUIDE	1						
20	37000532580	PLATE	2						
21	37000101970	PIN	1						
22	37000200650	PIN,SNAP	1						
23	34440981600	SHEAVE ASSY	1						
25	34200026200	PLATE	1						
26	34471560100	PLATE	1						
27	90302041601	WASHER,SPRING	4		16				
28	90101216025	BOLT	4		M16X25				
29	90303071601	WASHER,PLAIN	4		16				
41	34440980300	SUPPORT	1						
42	37001003330	SHEAVE ASSY	2						
43	80601110400	RING,RITAINING	2		S40				
44	37001102980	ROLLER ASSY	2						
45	80601110300	RING,RITAINING	2		S30				
47	80602110800	RING,RITAINING	4		R80				
48	80515006208	BEARING,BALL	8				FB7350		
60	80801003020	BEARING,PLAIN	4						
61	37000200650	PIN,SNAP	1						
62	34440981610	PLATE	1						
63	37000303080	SPACER	2		L=7.5				
64	37001003330	SHEAVE ASSY	2						
65	37000130420	PIN	1						
66	37000301480	SPACER	1						
67	34440981620	PLATE	1						
68	37000130440	PIN	1						
69	90101210014	BOLT	1		M10X14				
70	90302041001	WASHER,SPRING	1		10				

# TR-250M-4-00102 4 BOOM + JIB,3M3D

Pos No.	Parts No	Parts Name	Qty	Unit	Technical Data	Serial No (Start)	Serial No (End)	Remarks	Pages
1	37001002850	SHEAVE ASSY	1						
2	16311007000	SPACER	2		L=3.5				
3	90101512025	BOLT	8		M12X25				
4	90302041201	WASHER,SPRING	8		12				
5	34441335500	ROLLER ASSY	1						
6	34441335200	SUPPORT	1						
8	37000538400	PLATE	1						
9	34441335300	ROLLER ASSY	1						
12	80515006214	BEARING,BALL	2						
13	80612111250	RING,RITAINING	1		AR125				
21	80601110400	RING,RITAINING	1		S40				
22	34441335400	SUPPORT	1						
23	37001003330	SHEAVE ASSY	1						
24	34220470090	PIN,SNAP	1						
25	37000305900	ADAPTER	1						
26	37001102980	ROLLER ASSY	1						
27	37000532610	PLATE	1						
28	90101512025	BOLT	2		M12X25				
29	90302041201	WASHER,SPRING	2		12				
31	37000201090	PIN,SNAP	1		20				
32	34440442100	SUPPORT	1						
33	37000123150	PIN	1						
35	37001000380	SHEAVE ASSY	1						
36	37000303060	SPACER	1		L=27				
37	34441335100	PIN	1						
38	90101510020	BOLT	1		M10X20				
39	42310210300	PLATE	1						
41	90302041001	WASHER,SPRING	1		10				
42	37000301880	SPACER	1						
51	80602110800	RING,RITAINING	1		R80				
52	80515006208	BEARING,BALL	2				FB7350		
	80514006208	BEARING,BALL	2			FB7351	FB8499		
	80513006208	BEARING,BALL	2			FB8500			
61	80801003020	BEARING,PLAIN	2						
72	80602110620	RING,RITAINING	1		R62				
73	80515006206	BEARING,BALL	2				516383		
	80514006206	BEARING,BALL	2			516384			
74	12111503000	SPACER	1						

## TR-250M-4-00102 4 BOOM + JIB,3M3D

Pos No.	Parts No	Parts Name	Qty	Unit	Technical Data	Serial No (Start)	Serial No (End)	Remarks	Pages
1	14118158000	GROMMET	1						
2	14148375000	GROMMET	2						
3	82100001195	CONNECTOR	3						
4	82100001194	CONNECTOR	2						
5	82100000207	CLAMP	9						
6	90928040061	SCREW,TAPPING	9		M4X6				
7	34470434100	SUPPORT	1						
8	34470434200	SUPPORT	1						
9	14128208000	RING	1						
10	90302040601	WASHER,SPRING	2		6				
11	90303070601	WASHER,PLAIN	2		6				
12	90201200600	NUT	2		M6				
13	82100000865	TERMINAL	2						
14	90101206016	BOLT	2		M6X16				
15	83152012200	SHACKLE	1						

## TR-250M-4-00102 4 BOOM + JIB,3M3D

Pos No.	Parts No	Parts Name	Qty	Unit	Technical Data	Serial No (Start)	Serial No (End)	Re
1	32370002170	PLATE	1					
2	32370002110	GASKET	1					
3	32370002121	COVER	1					
4	80162303025	SCREW,MACHINE	2		M3X25			
5	90302040301	WASHER,SPRING	2		3			
6	82100001355	SWITCH,LIMIT	1					
7	32370002131	ROD	1					
8	14148373001	SPRING	1					
9	80601110180	RING,RITAINING	1		S18			
10	32370002161	SUPPORT	1					
11	90303070301	WASHER,PLAIN	2		3			
12	82100002283	CONNECTOR	1					
13	82100002355	TERMINAL (GOLD)	2					
14	32370005200	CORD	1					
15	32370005210	CORD	1					
16	82100000592	TERMINAL (M40.3 TO 1.25)	2					
17	89630201000	HOSE,VINYL	1		6X8,1M			
18	14148375000	GROMMET	1					
19	90101208045	BOLT	2		M8X45			
20	90302040801	WASHER,SPRING	2		8			
21	16268231000	LABEL (SWITCH,OVER WINDING)	1					
22	82100001220	INSULATOR	2					
23	82100002329	PLUG	1					
30	32370009511	ROD ASSY	1					
31	32370002150	SPACER	1		L=12 TO 11			
32	80720103014	PIN,SPRING	1		3X14			
50	33370888030	SWITCH ASSY (BOOM)	1					

## TR-250M-4-00102 4 BOOM + JIB,3M3D

Pos No.	Parts No	Parts Name	Qty	Unit	Technical Data	Serial No (Start)	Serial No
1	32370002170	PLATE	1				
2	32370002110	GASKET	1				
3	32370002121	COVER	1				
4	80162303025	SCREW,MACHINE	2		M3X25		
5	90302040301	WASHER,SPRING	2		3		
6	82100001355	SWITCH,LIMIT	1				
7	32370002131	ROD	1				
8	14148373001	SPRING	1				
9	80601110180	RING,RITAINING	1		S18		
10	32370002161	SUPPORT	1				
11	90303070301	WASHER,PLAIN	2		3		
12	82100001194	CONNECTOR	1				
13	82100000182	INSULATOR	2				
14	32370005200	CORD	1				
15	32370005210	CORD	1				
16	82100000592	TERMINAL (M40.3 TO 1.25)	2				
17	89630201000	HOSE,VINYL	1		6X8,1M		
18	14148375000	GROMMET	1				
19	90101208045	BOLT	2		M8X45		
20	90302040801	WASHER,SPRING	2		8		
21	16268231000	LABEL (SWITCH,OVER WINDING)	1				
30	32370009511	ROD ASSY	1				
31	32370002150	SPACER	1		L=12 TO 11		
32	80720103014	PIN,SPRING	1		3X14		
50	33370008090	SWITCH,OVER WIND DETECTOR (JIB&S/T)	1				

# TR-250M-4-00102 4 BOOM + JIB,3M3D

Pos No.	Parts No	Parts Name	Qty	Unit	Technical Data	Serial No (Start)	Serial No (End)	Remarks	Pages
1	82100002629	SWITCH,LIMIT	1						
3	34360620100	CAM	1						
4	90730006120	SCREW,SET	1		M6X12				

## TR-250M-4-00102 4 BOOM + JIB,3M3D

Pos No.	Parts No	Parts Name	Qty	Unit	Technical Data	Serial No (Start)	Serial No (End)	Remarks
1	36661035010	SHAFT	1					
2	36661035020	BEARING,BALL	1					
3	36661035030	COVER (OIL SEAL)	1					
4	91206060001	SEAL,OIL	1					
5	36661035150	SEAL,OIL	1					
6	91001210500	O-RING	2		1A G105			
7	91001101000	O-RING	2		1A P10			
8	80602111100	RING,RETAINING	1		110			
9	36661035050	PLATE (CAM)	1					
10	80730160036	PIN	1		16X36			
11	90302040801	WASHER,SPRING	2		8			
12	90131508040	BOLT,HEXAGON SOCKET	2		M8X40			
13	36660005140	SPRING	12					
14	36661035160	PIN	2					
15	36661035060	PLATE (CYLINDER BARREL)	1					
16	36661035070	PLATE (VALVE)	1					
17	36661035080	BEARING,BALL	1					
18	80720110020	PIN,SPRING	1		10X20			
19	36661035090	O-RING	1					
20	36661035100	HOUSING	1					
21	90302041201	WASHER,SPRING	14		12			
22	90131512045	BOLT,HEXAGON SOCKET	14		M12X45			
23	36661035110	COVER (BOTTOM)	1					
26	36661035120	HOLDER,PLUNGER	1					
27	36661035130	BARREL,CYLINDER	1					
31	36661035140	SPRING	1					
32	36660045100	SEAT,SPRING (CENTER)	1					
33	80602110750	RING,RITAINING	1		R75			
50	36661030000	MOTOR,HYDRAULIC	1					

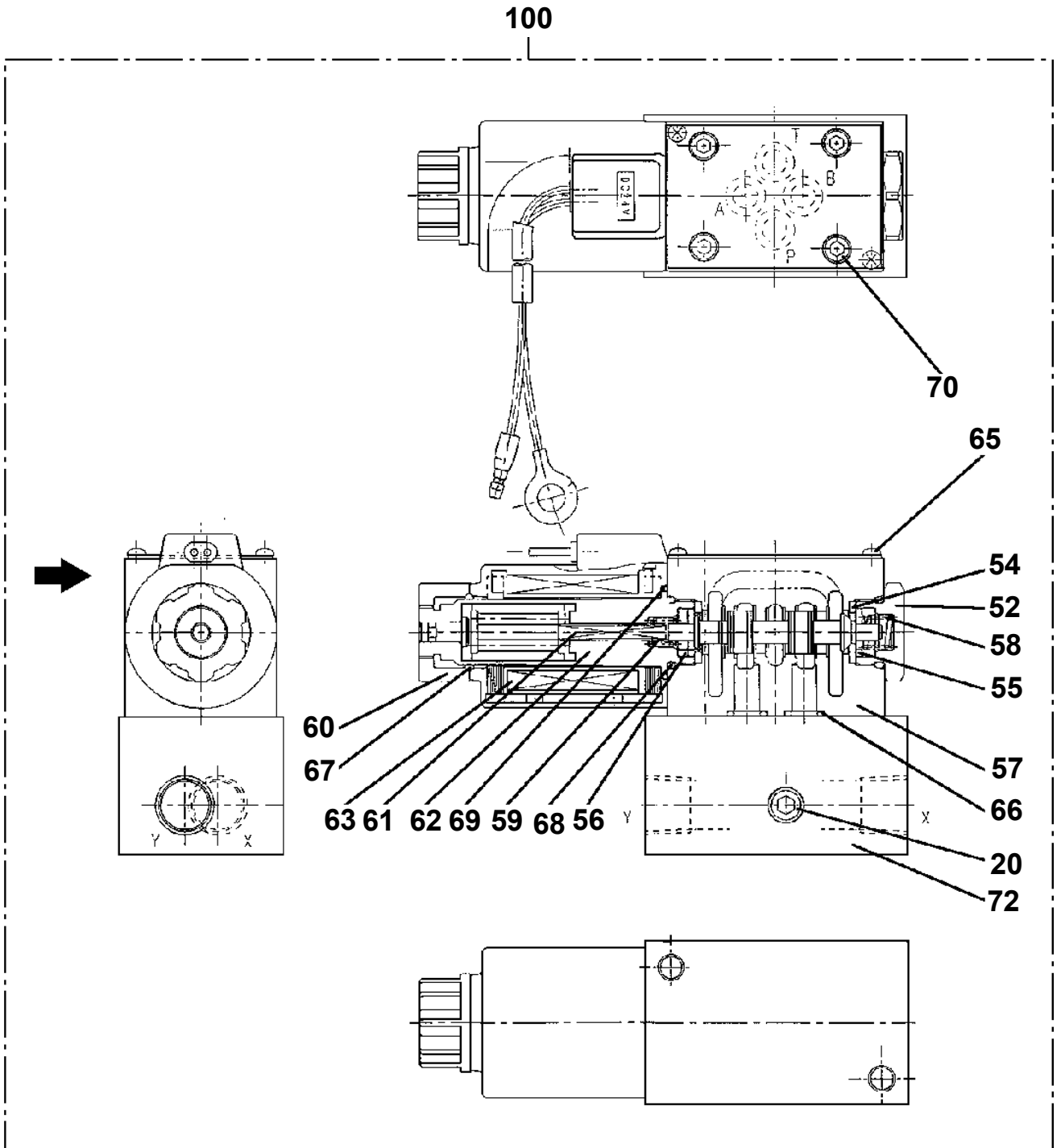
# TR-250M-4-00102 4 BOOM + JIB,3M3D

Pos No.	Parts No	Parts Name	Qty	Unit	Technical Data	Serial No (Start)	Serial No (End)	Remarks	Pages
11	36060275010	RING,WEAR	1						
12	36060275020	PACKING	1						
13	36060275030	GASKET	2						
14	36060275040	PACKING	1						
15	36060275050	JOINT, KNUCKLE	1						
16	36060275060	PIN	1						
50	36060270000	CYLINDER,AIR	1						

## TR-250M-4-00102 4 BOOM + JIB,3M3D

Pos No.	Parts No	Parts Name	Qty	Unit	Technical Data	Serial No (Start)	Serial No (End)	Remarks
6	36601075010	SCREW (ADJUSTING)	1					
7	36601075040	GUIDE	1					
8	90203201200	NUT	1		M12			
9	90240201200	NUT,CAP	1		M12			
10	36601075020	SPRING	1					
11	36601075030	SPRING	1					
12	90131508055	BOLT,HEXAGON SOCKET	2		M8X55			
13	80316030060	PLUG	1		PT3/8			
14	80120106012	PIN,SPRING	1		6X12			
15	91001203000	O-RING	1		1A G30			
16	91002802400	O-RING	1		1B P24			
17	91001101200	O-RING	2		1A P12			
18	91001100400	O-RING	1		1A P4			
19	91001101001	O-RING	1		1A P10A			
20	91001102201	O-RING	1		1A P22A			
50	36601070000	VALVE,REDUCING	1					

**TR-250M-4-00102 4 BOOM + JIB,3M3D  
PI1120021-04 VALVE,SOLENOID**

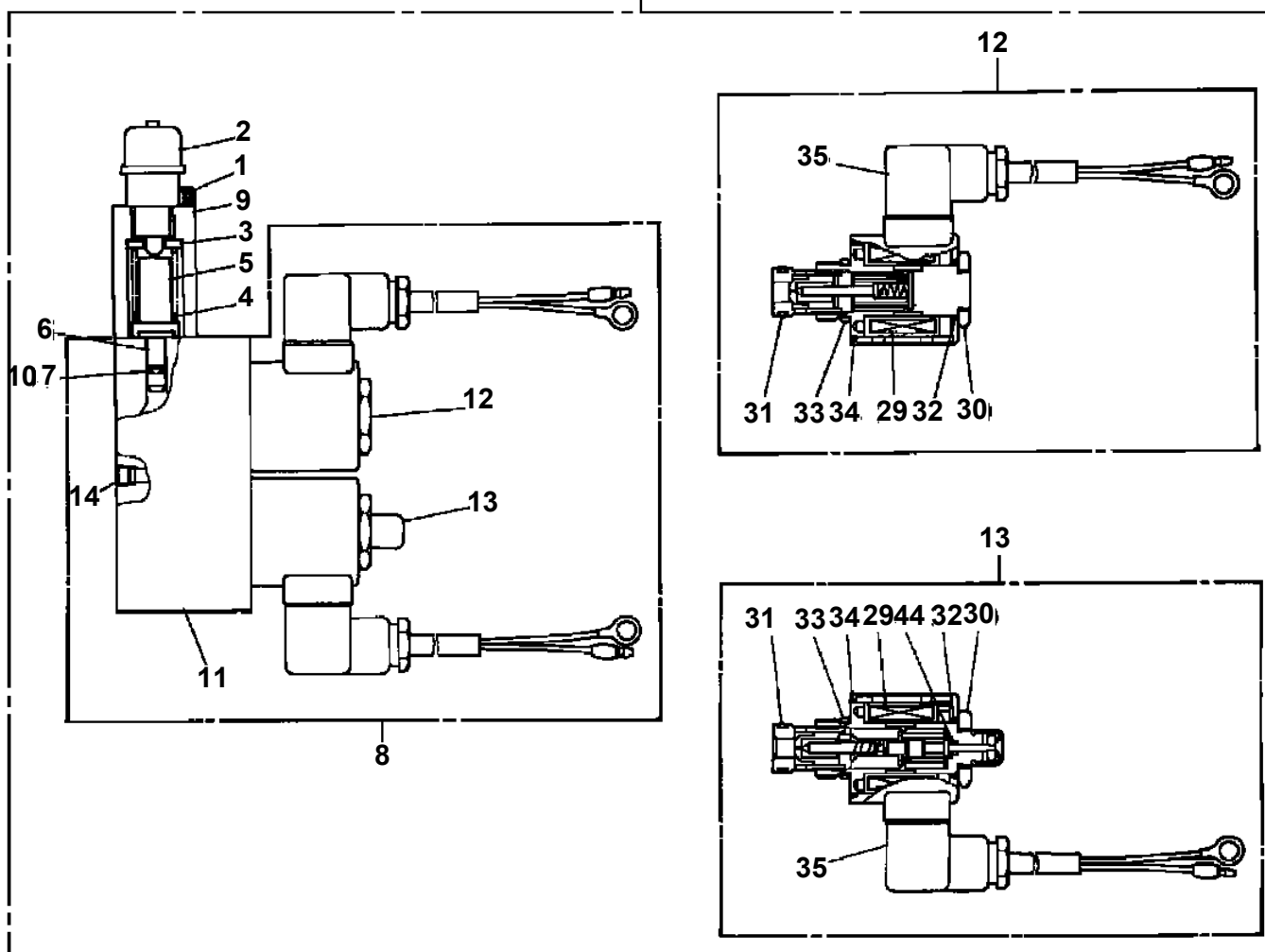


## TR-250M-4-00102 4 BOOM + JIB,3M3D

Pos No.	Parts No	Parts Name	Qty	Unit	Technical Data	Serial No (Start)	Serial No (End)	Remarks
1	36641275020	VALVE,SOLENOID	1					
2	36641835010	VALVE,SOLENOID	1					
3	36640095020	PLATE (SUB)	1					
4	90131506035	BOLT,HEXAGON SOCKET	8		M6X35			
5	80316030040	PLUG	2		PT1/4			
12	36640165010	COVER (A)	1					
13	19045104110	COVER (B)	1					
15	36640775050	RETAINER	4					
17	19045110030	PIN	3					
18	36640775060	SPRING (A)	1					
19	36640165020	SPRING	3					
22	19045104100	SPACER	3					
24	36640375010	NUT	3					
27	36640485030	CONNECTOR	1					
28	19045104070	PACKING (COIL)	3					
29	90131506015	BOLT,HEXAGON SOCKET	16		M6X15			
30	80316030020	PLUG	2		PT1/8			
31	91001100300	O-RING	3		1A P3			
32	91002801200	O-RING	10		1B P12			
33	91002802800	O-RING	7		1B P28			
35	91001203000	O-RING	3		1A G30			
41	19045195640	GUIDE ASSY	3					
42	36640375020	COIL ASSY	3					
52	36640905020	COVER (B)	2					
55	19045104130	RING	2					
65	36641345020	CONNECTOR	2					
200	36641830000	VALVE,SOLENOID	1					

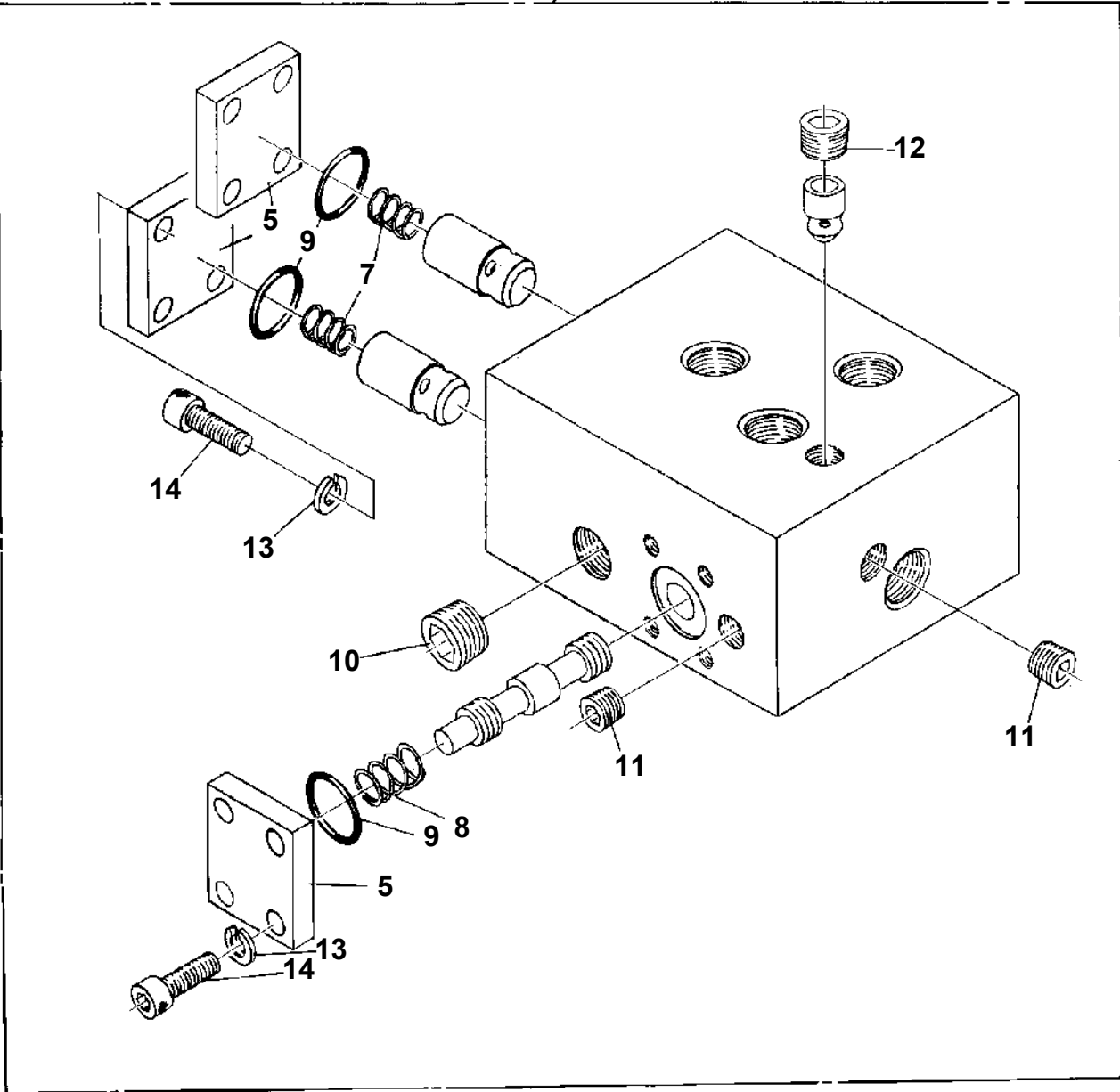
TR-250M-4-00102 4 BOOM + JIB,3M3D  
PI1120140-02 VALVE,SOLENOID

100

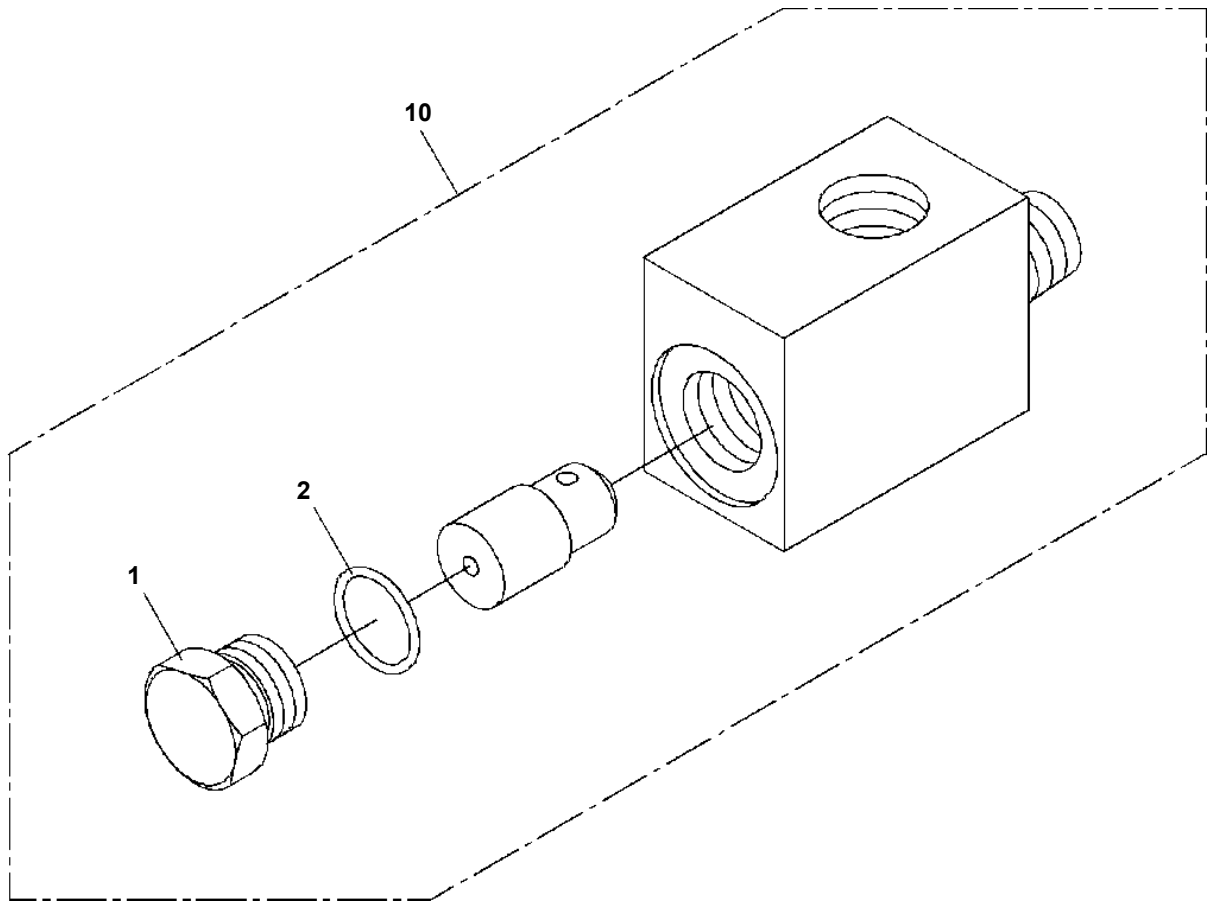


TR-250M-4-00102 4 BOOM + JIB,3M3D  
PI1130006-00 VALVE, HYDRAULIC

20



**TR-250M-4-00102 4 BOOM + JIB,3M3D**  
**PI1140039-00 VALVE,CHECK**



CLICK HERE TO **DOWNLOAD** THE COMPLETE MANUAL

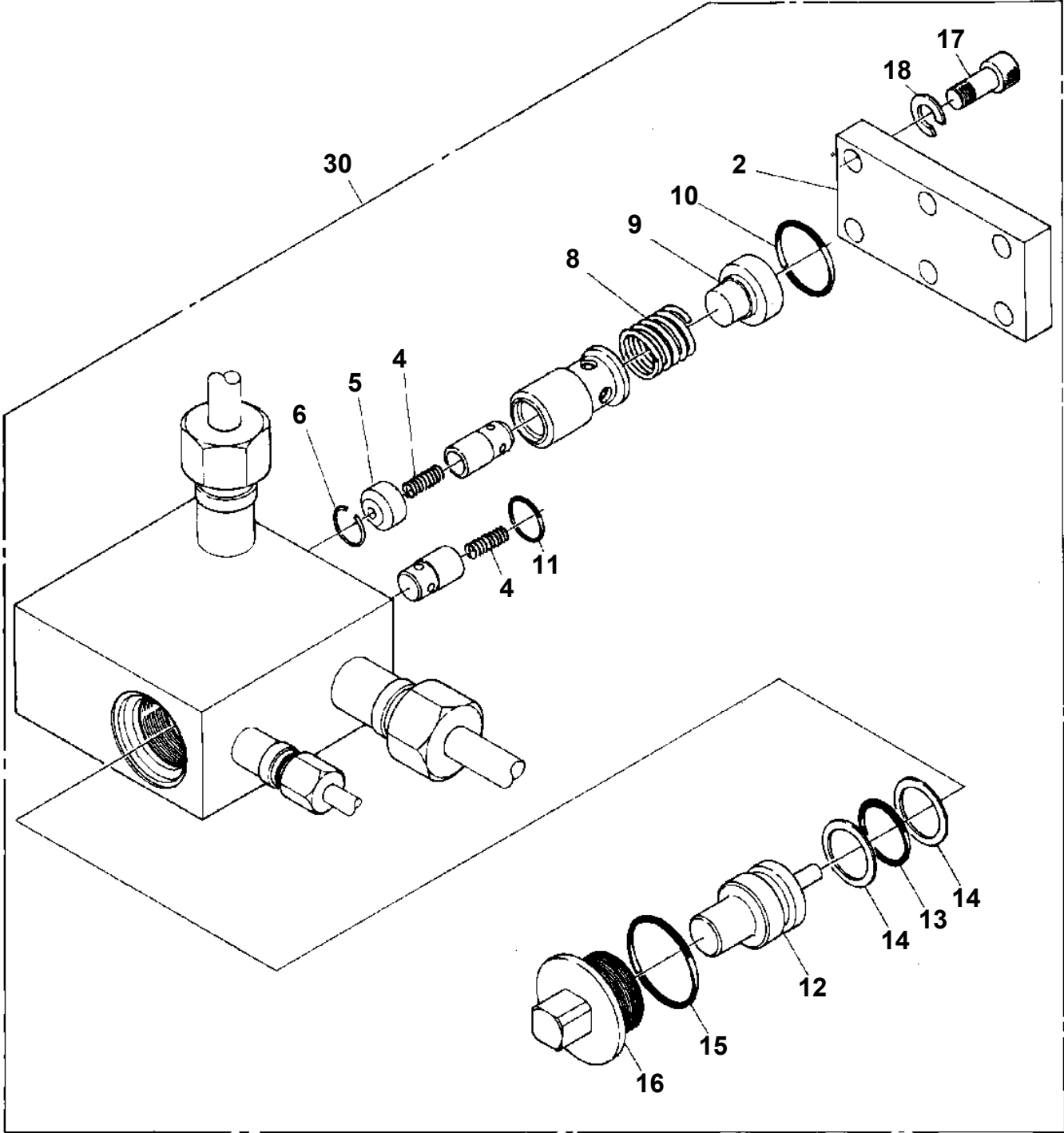
- Thank you very much for reading the preview of the manual.
- You can download the complete manual from: [www.heydownloads.com](http://www.heydownloads.com) by clicking the link below



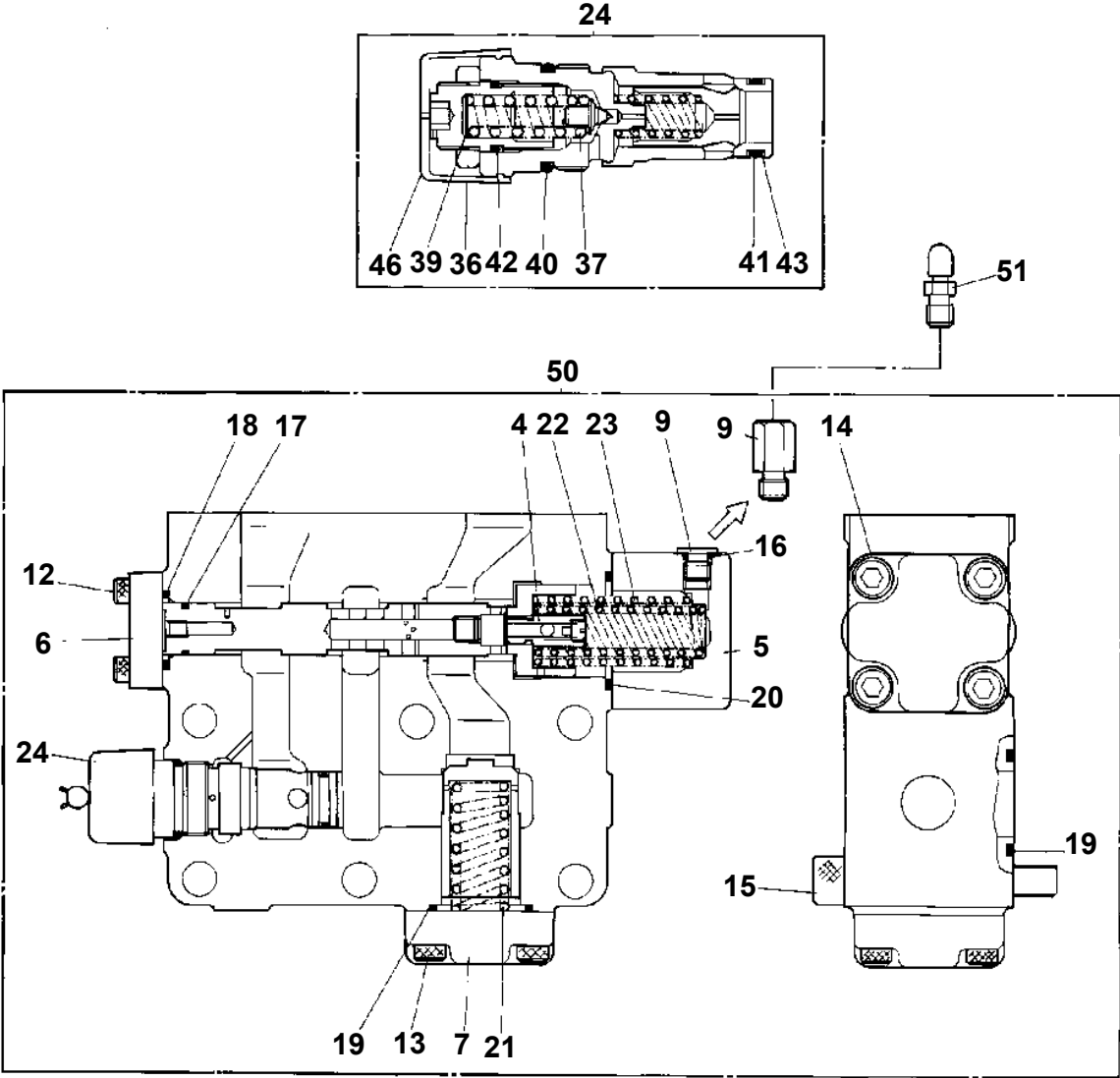
- Please note: If there is no response to CLICKING the link, please download this PDF first and then click on it.

CLICK HERE TO **DOWNLOAD** THE COMPLETE MANUAL

TR-250M-4-00102 4 BOOM + JIB,3M3D  
PI1140120-01 VALVE,CHECK

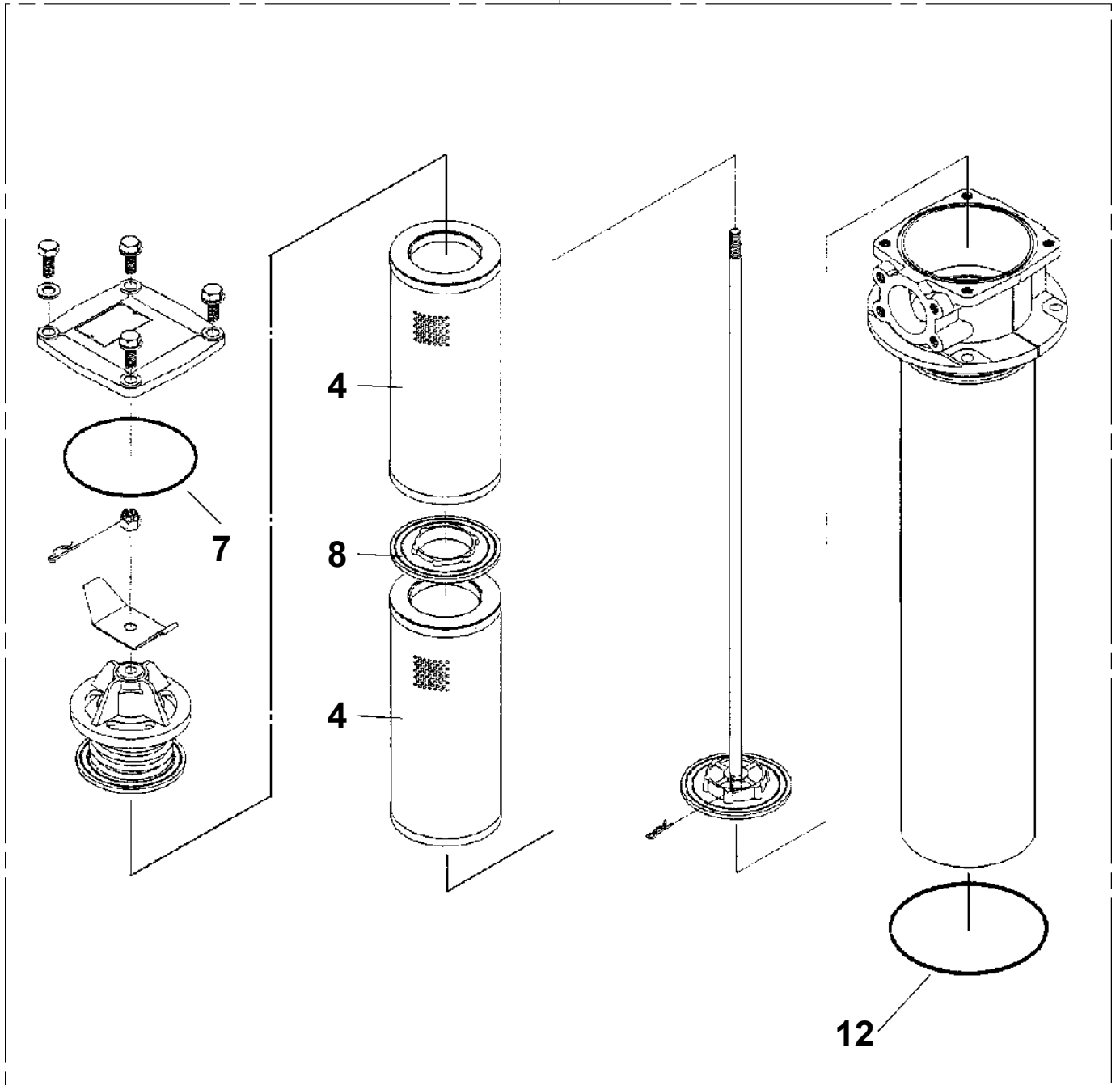


**TR-250M-4-00102 4 BOOM + JIB,3M3D**  
**PI1250044-01 VALVE,COUNTERBALANCE**

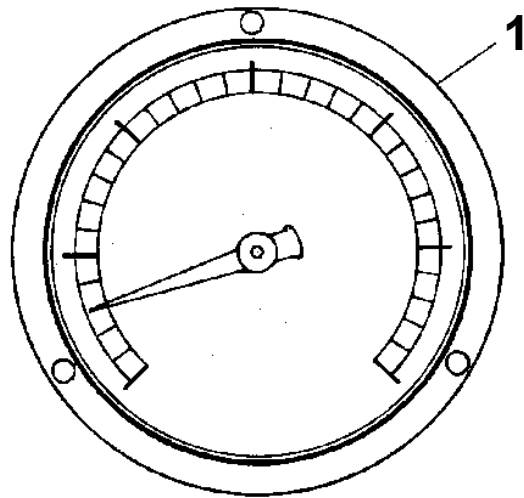


TR-250M-4-00102 4 BOOM + JIB,3M3D  
PI1300012-03 FILTER,OIL (TANK,OIL)

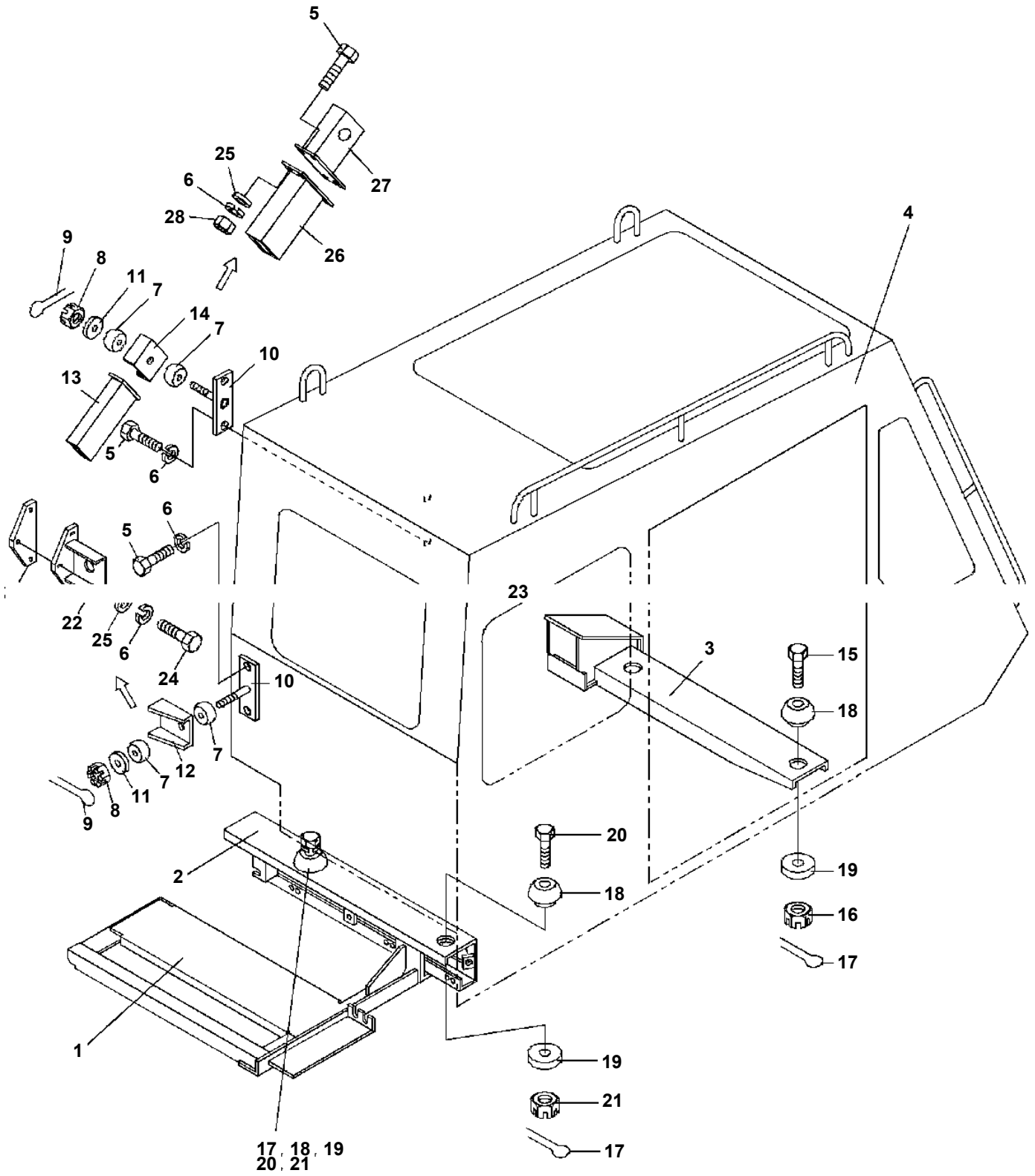
30



TR-250M-4-00102 4 BOOM + JIB,3M3D  
PI1420003-02 GAUGE,PRESSURE



TR-250M-4-00102 4 BOOM + JIB,3M3D  
PK1140023-01 CAB, OPERATOR



# TR-250M-4-00102 4 BOOM + JIB,3M3D

Pos No.	Parts No	Parts Name	Qty	Unit	Technical Data	Serial No (Start)	Serial N
51	34260237840	SUN VISOR ASSY	1				515993
	34260237841	FRAME ASSY (WITHOUT SUN VISOR)	1			515994	
52	34260237850	SUPPORT (SUN VISOR)	1				515993
	34260237851	SUPPORT (SUN VISOR)	1			515994	
53	34260237860	SUPPORT (SUN VISOR)	1				
54	34260237870	SUN VISOR ASSY (ROOF)	1				
55	34260237880	PLATE (SUN VISOR)	1				
56	34260237890	COVER (SET PLATE)	1				
57	34260237900	STOPPER (SUN VISOR,DOOR SIDE)	1				
58	34260237910	STOPPER (SUN VISOR,SASH SIDE)	1				
59	34260035240	HOOK ASSY (SLIDE)	1				
60	34260237920	DOOR ASSY	1				515993
	34260237921	DOOR ASSY	1			515994	517756
61	34260233260	WEATHER STRIP (L=3900,DOOR)	1				
62	34260035120	HANDLE (DOOR/OUTER)	1				517756
63	34260035150	KEY SET	1				517756
64	34260035210	ARM ASSY (SWING)	1				517756
65	34260035320	SPRING (INCLUDE ARM ASSY,SWING)	1				517756
66	34260035200	BRACKET (SWING ARM)	1				
	34260035200	BRACKET (SWING ARM)	1				515993
67	34260035180	ARM ASSY	1				
68	34260035190	ARM ASSY (LOWER)	1				
69	34260237950	COVER (KEY)	1				515993
	34260237951	COVER (KEY)	1			515994	517756
70	34260237960	COVER (PACKING)	1				
71	34260237970	COVER (DOOR UNDER)	1				515993
	34260237971	COVER (DOOR UNDER)	1			515994	
72	34260237980	STRIKER	1				517756
73	34260237990	LINER	2				517756
74	34260239510	LOCK ASSY (DOOR)	1				517756
75	34260237560	REMOTE CONTROL ASSY (RH)	1				517756
76	34260005650	KNOB (DOOR LOCK)	1				
77	34260239520	ROD (LOCK)	1				517756
78	34260035140	GROMMET	1				
79	34260005630	HANDLE (REGULATOR DOOR GLASS)	1				517756
80	34260005640	WASHER (HANDLE)	1				517756
81	34260005710	REGULATOR ASSY	1				517756
82	34260239530	CHANNEL (GLASS SUPPORT)	1				
83	34260035160	HANDLE (INNER)	1				517756
84	34260035220	STRIKER,SLIDE	2				
85	34260035230	SUSPENDER,SLIDE	2				
86	82100000537	SWITCH (DOOR)	2				
87	34260239540	RAIL (COIL HARNESS)	1				
88	34260239550	PLATE (RAIL SET/REAR)	1				
89	34260239560	PLATE (RAIL SET/FRONT)	1				
90	34260005750	SWITCH ASSY	1				
91	34260239570	HARNESS (COIL)	1				
92	34260035280	HANGER	1				515993
101	34260236510	TRIM (BACK PANEL UPPER)	1				
102	34260236520	TRIM (SIDE DOOR UPPER&CENTER PILLER)	1				515993
	34260236521	TRIM (SIDE DOOR UPPER&CENTER PILLER)	1			515994	
103	34260236530	TRIM (LH SIDE)	1				515993
	34260236531	TRIM (LH SIDE)	1			515994	
104	34260236550	TRIM (ROOF FRONT)	1				515993
	34260236551	TRIM (ROOF FRONT)	1			515994	
105	34260236580	TRIM (REAR PANEL LOWER)	1				
106	34260236590	TRIM (LH SIDE PAT FRONT)	1				
107	34260236600	TRIM (LH BOX LOWER RISER)	1				
108	34260236610	TRIM (LH FRONTPILLAR)	1				515993
	34260236611	TRIM (LH FRONTPILLAR)	1			515994	
109	34260236620	TRIM (LH BOX FRONT UPPER)	1				515993
110	34260236630	TRIM (DOOR)	1				515993
	34260236631	TRIM (DOOR)	1			515994	517756

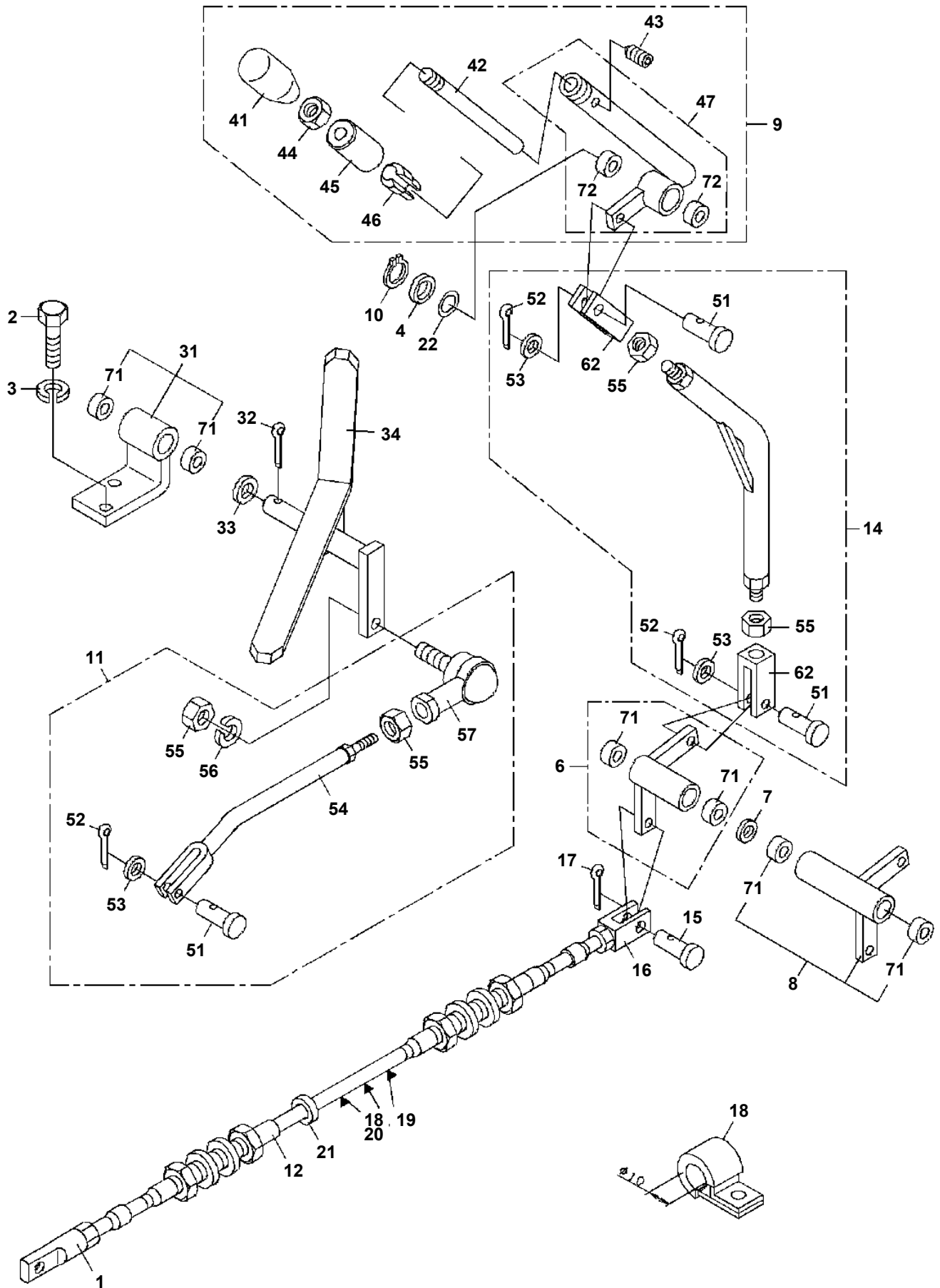
# TR-250M-4-00102 4 BOOM + JIB,3M3D

Pos No.	Parts No	Parts Name	Qty	Unit	Technical Data	Serial No (Start)	S
1	34260237581	COVER (FRONT)	1				
2	34260237590	COVER (LEFT FRONT)	1				
3	34260237600	RAIL (REAR)	1				
4	34260237610	GUIDE (FRONT)	1				
5	34260035030	LINER	1				
6	34260237620	COVER (BOX)	1				
7	11612232000	KNOB	1				
8	34260095020	HANDLE	1				
9	82100000610	LAMP,ROOM	1				
10	82400000049	HANGER (HAT)	1				
11	34260005040	GRIP ASSY	1				
12	34260237631	COVER (WEATHER STRIP)	1				
13	34260237640	VENTILATOR ASSY	1				
14	34260237540	GLASS (FRONT)	1				
15	34260237650	RUBBER (H,FRONT)	1				
16	34260237660	WEDGE (H RUBBER/FRONT)	1				
17	34260237671	GLASS (DOOR SIDE.FRONT)	1				
18	34260237681	WATER STRIP (DOOR SIDE.FRONT)	1				
19	34260005520	GLASS (DOOR)	1				
20	34260237690	WEATHER STRIP (WINDOW)	2				
21	34260237700	RUBBER (GLASS RAIL)	1				
22	34260237711	GLASS (DOOR SIDE.REAR)	1				
23	34260237721	RUBBER (H)	1				
24	34260237731	WEDGE (H RUBBER/ DOOR SIDE.REAR)	1				
25	34260237740	GLASS (REAR)	1				
26	34260237750	WATER STRIP (REAR)	1				
27	34260237551	GLASS (SASH SIDE.FRONT)	1				
28	34260237761	RUBBER (H)	1				
29	34260237771	WEDGE (H RUBBER/ SASH SIDE.FRONT)	1				
30	34260005300	SASH ASSY	1				
31	34260005310	RUBBER (U)	1		L=600		
32	34260237781	GLASS (ROOF)	1				
33	34260237790	CHANNEL (ROOF GLASS,RUBBER)	1				
34	34260233270	WEATHER STRIP	1		L=3200		
35	34260237940	RUBBER (WITH SPRING)	1				
36	34260237810	HANDLE ASSY (GLASS)	2				
37	34260237820	HOLDER ASSY (GLASS/SIDE.FRONT)	2				
38	34260237830	HOLDER ASSY (GLASS/REAR)	2				
39	34260233200	MOTOR,WIPER (WITH/LINK)	1				
40	34260233210	ARM,WIPER (FRONT)	1				
41	34260233220	BLADE,WIPER	1				
42	34260075080	NOZZLE (WINDOW WASHER)	1				
43	34260233230	MOTOR,WIPER	1				
44	34260233241	ARM,WIPER (ROOF)	1				
45	34260233251	BLADE,WIPER (ROOF)	1				
46	34260239591	SUPPORT ASSY (ROOF WIPER MOTOR)	1				
47	34260239600	HANDLE ASSY (ROOF INNER)	1				
48	34260005280	LOCK ASSY (ROOF)	1				
49	34260005290	HOOK ASSY (ROOF GLASS)	1				
50	34260035310	HOOK (REAR ROOF)	1				
51	34260237841	FRAME ASSY (WITHOUT SUN VISOR)	1				
52	34260237851	SUPPORT (SUN VISOR)	1				
53	34260237860	SUPPORT (SUN VISOR)	1				
54	34260237870	SUN VISOR ASSY (ROOF)	1				
55	34260237880	PLATE (SUN VISOR)	1				
56	34260237890	COVER (SET PLATE)	1				
57	34260237900	STOPPER (SUN VISOR,DOOR SIDE)	1				
58	34260237910	STOPPER (SUN VISOR,SASH SIDE)	1				
59	34260035240	HOOK ASSY (SLIDE)	1				
60	34260237921	DOOR ASSY	1				5
	34260239700	DOOR ASSY	1			517757	
61	34260233260	WEATHER STRIP (L=3900,DOOR)	1				
62	34260035120	HANDLE (DOOR/OUTER)	1				5

# TR-250M-4-00102 4 BOOM + JIB,3M3D

Pos No.	Parts No	Parts Name	Qty	Unit	Technical Data	Serial No (Start)	Serial No (End)	Remarks	Pages
1	34280850100	PLATE	2						
2	34280850200	WEIGHT	1						
3	34280850300	SUPPORT	1						
4	90101520200	BOLT	4		M20X200				
5	90303072001	WASHER,PLAIN	4		20				

TR-250M-4-00102 4 BOOM + JIB,3M3D  
PL1010105-01 OPE.ASSY,CONT.VALVE (3RD)



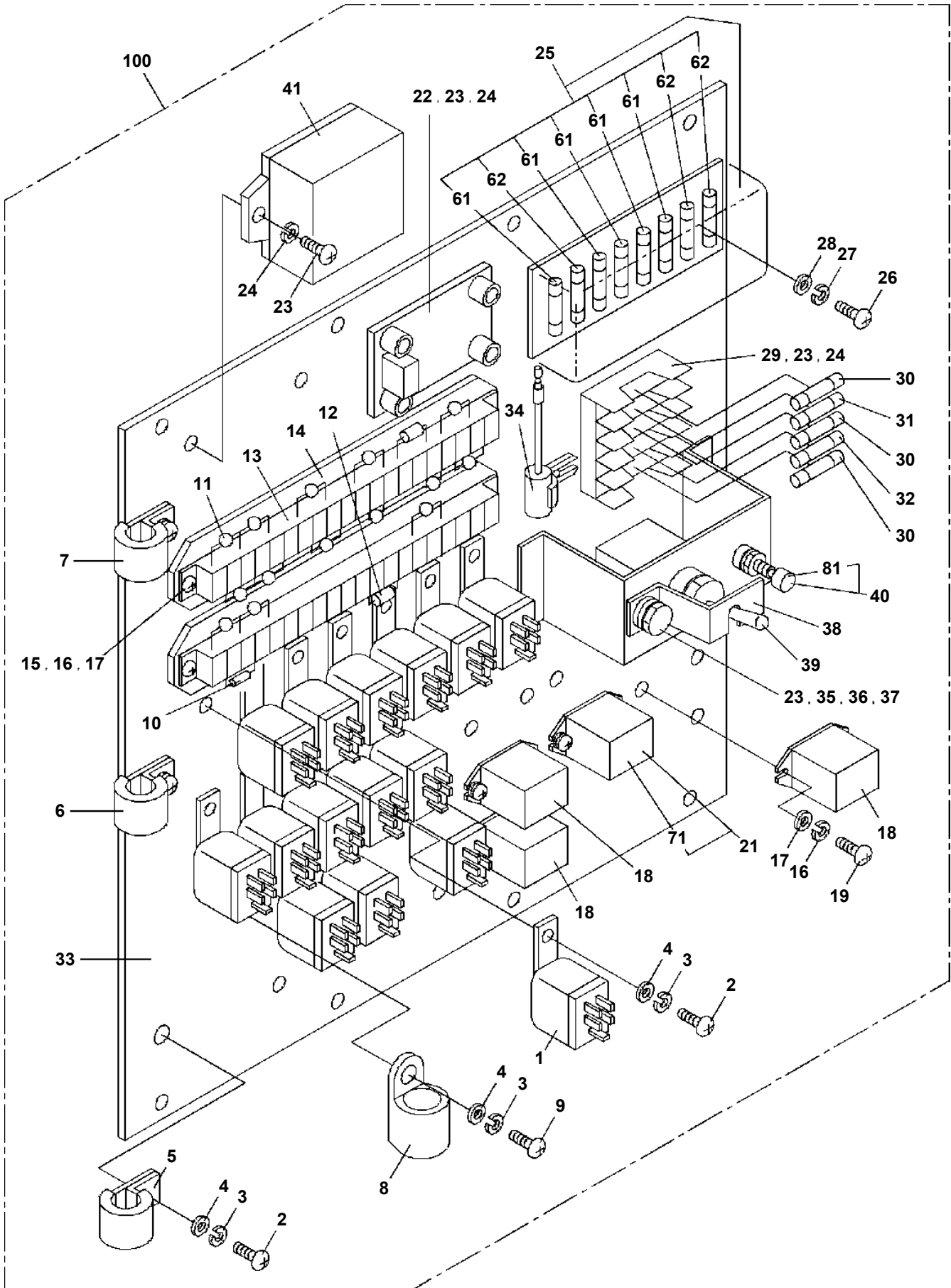
# TR-250M-4-00102 4 BOOM + JIB,3M3D

Pos No.	Parts No	Parts Name	Qty	Unit	Technical Data	Serial No (Start)	Serial No (End)	Remarks
1	37001703430	CABLE,CONTROL	1					
2	37000109680	PIN	1					
3	82100002001	CLAMP	1		WR5			
4	80136316012	PIN,SPLIT	1		1.6X12			
5	34330660100	SUPPORT	1					
6	90131506012	BOLT,HEXAGON SOCKET	3		M6X12			
7	90302040601	WASHER,SPRING	3		6			
8	90303070601	WASHER,PLAIN	6		6			

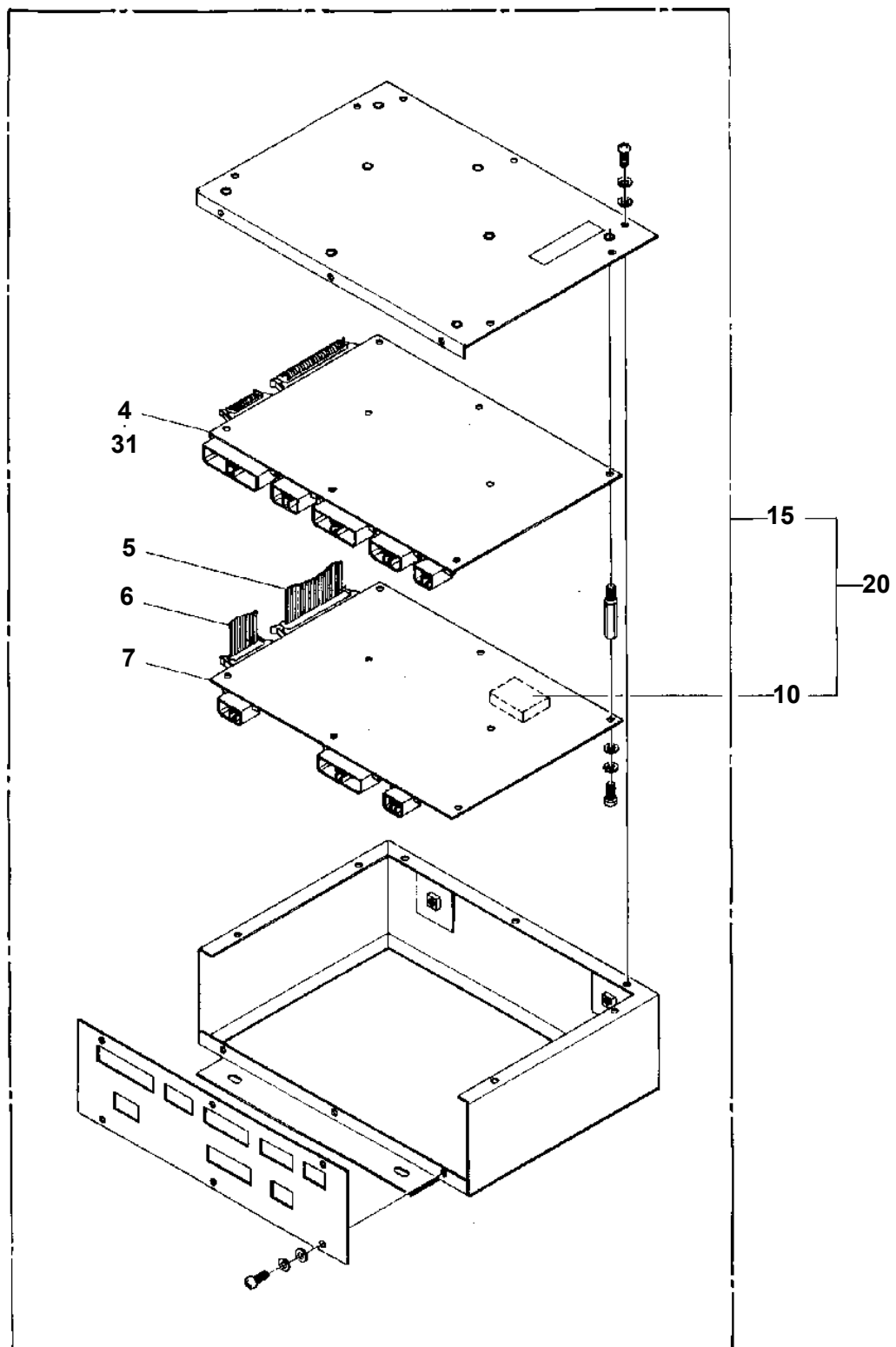
# TR-250M-4-00102 4 BOOM + JIB,3M3D

Pos No.	Parts No	Parts Name	Qty	Unit	Technical Data	Serial No (Start)	Serial No (End)
1	82100000384	LAMP,BACKUP	1				
2	82100000023	BUZZER	1				
3	90101208016	BOLT	1		M8X16		
4	90201200800	NUT	13		M8		
5	90302040801	WASHER,SPRING	16		8		518551
	90302040801	WASHER,SPRING	18		8	518552	
6	90303070801	WASHER,PLAIN	12		8		518551
	90303070801	WASHER,PLAIN	14		8	518552	
7	90101208035	BOLT	6		M8X35		
8	34930090500	LAMP,COMBINATION (RIGHT)	1				
9	34930090600	LAMP,COMBINATION (LEFT)	1				
10	82100000027	LAMP,LICENSE	1				
11	90101210016	BOLT	3		M10X16		
12	90201201000	NUT	3		M10		
13	90302041001	WASHER,SPRING	3		10		
14	34650001301	CABLE (BATTERY)	1		L=400		
15	34930090210	CABLE (BATTERY)	1				
16	34650001401	CABLE,BATTERY	1				
17	34650000090	SENDER,THERMO(WATER)	1				
18	59281001000	SENDER,THERMO (OIL)	1				
19	82100002040	CLAMP	1		WE15		
20	59481131000	PLATE	1				
21	90101208070	BOLT	1		M8X70		
22	59481546000	CLAMP	1				
23	90101208045	BOLT	2		M8X45		
24	34930092000	TRANSMITTER,MULTI. DATA (LOWER)	1				
25	90131506010	BOLT,HEXAGON SOCKET	3		M6X10		518551
	90131508012	BOLT,HEXAGON SOCKET <M8X12.	2			518552	
26	90302040601	WASHER,SPRING	73		6		517184
	90302040601	WASHER,SPRING	74		6	517185	518551
	90302040601	WASHER,SPRING	71		6	518552	
27	82100000547	RELAY (HEAD LAMP)	1				518551
	82161901010	RELAY	1			518552	
28	34930090750	PLATE	1				518551
	34930204000	PLATE	1			518552	
29	91810130270	FASTENER	2				
30	34930090900	SUPPORT	1				
31	80172305012	SCREW,MACHINE	8		M5X12		
32	90302040501	WASHER,SPRING	20		5		
33	34930090300	LAMP,COMBINATION (RIGHT)	1				
34	34930090400	LAMP,COMBINATION (LEFT)	1				
35	34930090100	LAMP,HEAD (LAMPX2)	2				
36	82100001412	TUBE,SPIRAL	1	M	SE-12BK	517185	
37	34930090200	PLATE	2				
41	90101208012	BOLT	6		M8X12		
43	34930090020	CABLE	1				
44	33430162080	CABLE (STARTER MOTOR)	1				
45	34930090220	HARNESS	1				516623
	34930091510	HARNESS	1			516624	516824
	34930091530	HARNESS	1			516825	517067
	34930091540	HARNESS	1			517068	517184
	34930091550	HARNESS	1			517185	517806
	34930091560	HARNESS	1			517807	
46	82100002137	CABLE	1				
47	90925035121	SCREW,TAPPING	4		3.5X12		
48	82100001173	CLAMP ASSY	69		L=65		
49	82100002010	CLAMP	15		WR15		
50	82100002016	CLAMP	13		WR25		517184
	82100002016	CLAMP	12		WR25	517185	
52	90190000008	BOLT,STUD	69		M6X20		
53	90201200600	NUT	70		M6		517184
	90201200600	NUT	72		M6	517185	
54	90303070601	WASHER,PLAIN	17		6		517184

**TR-250M-4-00102 4 BOOM + JIB,3M3D  
PN1110024-02 RELAY ASSY (CAB)**



TR-250M-4-00102 4 BOOM + JIB,3M3D  
PN1200006-01 TRANSMITTER,MULTI. DATA (LOWER)



**TR-250M-4-00102 4 BOOM + JIB,3M3D**

Pos No.	Parts No	Parts Name	Qty	Unit	Technical Data	Serial No (Start)	Serial No (End)	Remarks	Pa
2	8210000224	CONNECTOR	N						
3	8210000225	CONNECTOR	N						
4	8210000226	CONNECTOR	N						
5	8210000227	CONNECTOR	N						
6	8210000228	CONNECTOR	N						
7	8210000229	CONNECTOR	N						
8	8210000268	CONNECTOR ASSY	N						
9	8210000269	CONNECTOR ASSY	N						
10	8210000270	CONNECTOR ASSY	N						
11	8210000271	CONNECTOR ASSY	N						
12	8210000272	CONNECTOR ASSY	N						
13	8210000273	CONNECTOR	N						
14	8210000274	CONNECTOR ASSY	N						
15	8210000275	CONNECTOR ASSY	N						
16	8210000276	CONNECTOR ASSY	N						
17	8210000277	CONNECTOR ASSY	N						
18	8210000278	TERMINAL	N						
19	8210000279	TERMINAL	N						
20	8210000280	CONNECTOR	N						
21	8210000281	CONNECTOR	N						
22	8210000282	CONNECTOR	N						
23	8210000283	CONNECTOR	N						
24	8210000300	CONNECTOR ASSY	N						
25	8210000301	CONNECTOR	N						
26	8210000302	CONNECTOR	N						
27	8210000304	CONNECTOR ASSY	N						
28	8210000318	CONNECTOR	N						
29	8210000319	CONNECTOR ASSY	N						
30	8210000320	CONNECTOR ASSY	N						
31	8210000326	CONNECTOR ASSY	N						
32	8210000366	CONNECTOR	N						
33	8210000381	CONNECTOR ASSY	N						
34	8210000382	CONNECTOR ASSY	N						
35	8210000398	CONNECTOR	N						
36	8210000455	CONNECTOR	N						
37	8210000529	CONNECTOR	N						
38	8210000530	CONNECTOR	N						
39	8210000578	TERMINAL	N						
40	8210000579	TERMINAL	N						
41	8210000580	TERMINAL	N						
42	8210000581	TERMINAL	N						
43	8210000584	CONNECTOR	N						
44	8210000585	CONNECTOR	N						
45	8210000586	CONNECTOR	N						
46	8210000587	CONNECTOR	N						
47	8210000588	CONNECTOR	N						
48	8210000589	CONNECTOR	N						
49	8210000590	CONNECTOR ASSY	N						
50	8210000652	CONNECTOR	N						
51	8210000654	CONNECTOR	N						
52	8210000655	CONNECTOR ASSY	N						
53	8210000657	CONNECTOR	N						
54	8210000658	CONNECTOR	N						
55	8210000714	CONNECTOR	N						
56	8210000715	CONNECTOR	N						
57	8210000720	CONNECTOR ASSY	N						
58	8210000721	SLEEVE	N						
59	8210000820	CONNECTOR ASSY	N						
60	8210000821	CONNECTOR ASSY	N						
61	8210000822	CONNECTOR ASSY	N						
62	8210000823	CONNECTOR ASSY	N						
63	8210000824	CONNECTOR ASSY	N						
64	8210000825	CONNECTOR ASSY	N						

# TR-250M-4-00102 4 BOOM + JIB,3M3D

Pos No.	Parts No	Parts Name	Qty	Unit	Technical Data	Serial No (Start)	Serial No (End)	Rem
1	59170001000	PLATE,NAME (FOR PRESSURE)	1					
2	34391585100	PLATE,NAME	1					
3	34390225400	PLATE,NAME	3					
4	34391585300	PLATE,NAME	1					
5	56370132000	PLATE,NAME	1					
6	34391585400	PLATE,NAME	1					
7	34390695010	PLATE,CAUTION	1					
8	12117140000	PLATE,NAME (GREASE)	29					
9	37002207540	PLATE,NAME	2			517580		
10	37002210300	PLATE,NAME (BRAKE)	2			517580		

# TR-250M-4-00102 4 BOOM + JIB,3M3D

Pos No.	Parts No	Parts Name	Qty	Unit	Technical Data	Serial No (Start)	Serial No (End)	Remarks	Pages
1	36330195010	CORE (RADIATOR)	1						
2	36330195020	GUIDE (FAN)	1						
3	36330025030	BOLT,SEMS	10		M6X14				
4	36330025040	HOSE	1				516051		
	36330085030	HOSE	1			516052			
5	36330195030	ROD	2						
6	36330025060	BOLT,SEMS	4		M8X16				
7	36330025070	PLUG	1		M18X2				
8	36330025080	CAP	1						
9	36330175030	PACKING	1						
20	36330190000	RADIATOR	1						

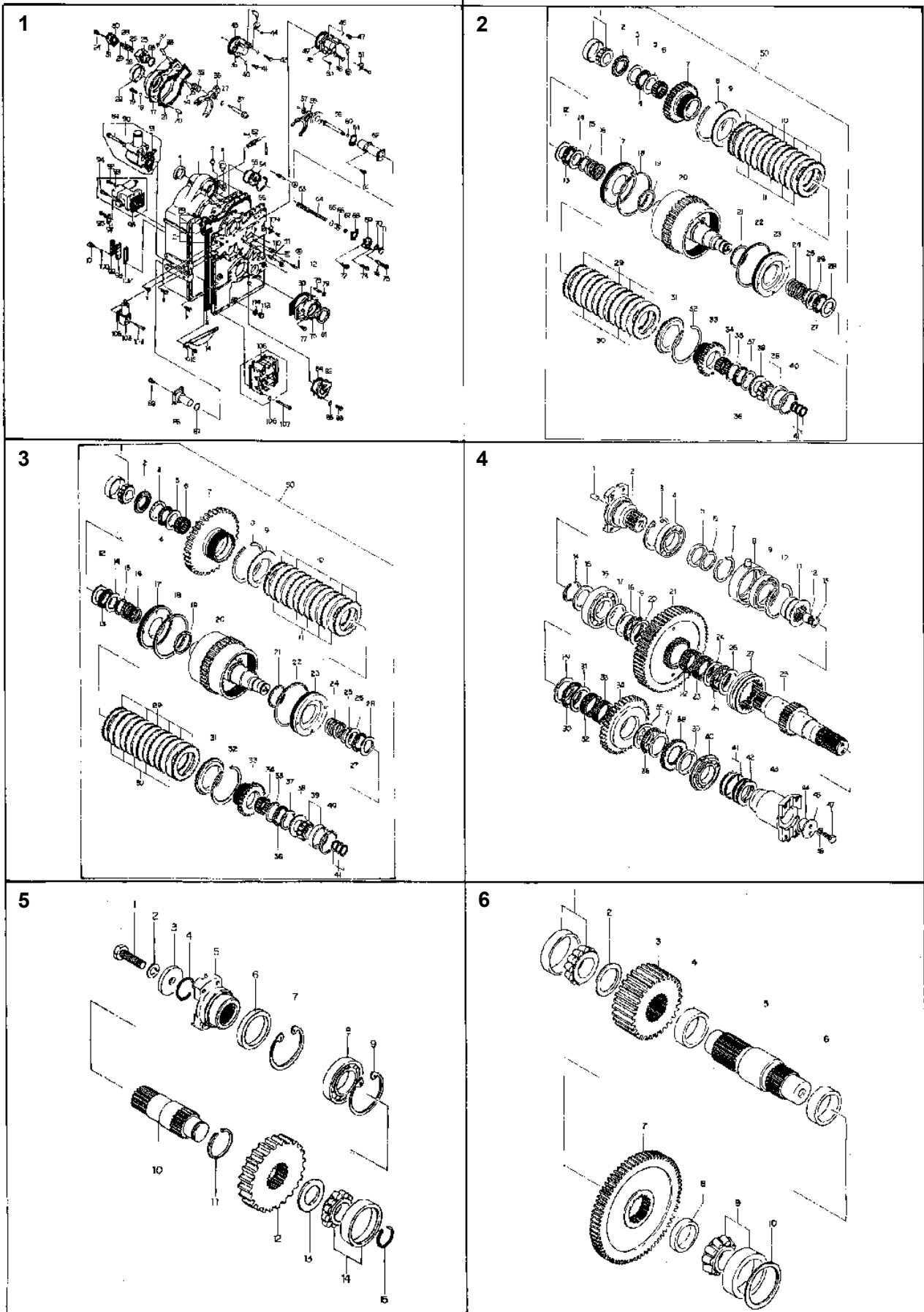
# TR-250M-4-00102 4 BOOM + JIB,3M3D

Pos No.	Parts No	Parts Name	Qty	Unit	Technical Data	Serial No (Start)	Serial No (End)	Remarks	Pages
1	36100330000	TANK,FUEL (300L)	1						
2	36100115010	CAP	1						
3	36100115020	COVER	1						
4	36100115080	SCREW,MACHINE	5		M5				
5	90302040501	WASHER,SPRING	5		5				
6	36100115060	PLUG	1						
7	36100115070	GASKET	1						
8	36100115050	PACKING	1						
9	36100115030	PLUG	2						
10	36100115040	GASKET	2						

# TR-250M-4-00102 4 BOOM + JIB,3M3D

Pos No.	Parts No	Parts Name	Qty	Unit	Technical Data	Serial No (Start)	Serial No (End)	Remarks	Pages
1	36060050000	CYLINDER,AIR	1						000153
2	90101208020	BOLT	3		M8X20				
3	90201200800	NUT	3		M8				
4	90302040801	WASHER,SPRING	3		8				
5	19414033000	SPRING	2				516144		
	37001300010	SPRING	2			516145			
6	37000105730	PIN	1						
7	90303070801	WASHER,PLAIN	1		8				
8	80136320014	PIN,SPLIT	3		2X14				
9	90303071201	WASHER,PLAIN	2		12				
10	34720510100	LEVER	1						
11	37000111510	PIN	1						
12	80136332018	PIN,SPLIT	2		3.2X18				
14	37000111490	PIN	1						
15	90303071001	WASHER,PLAIN	2		10				
17	56444812000	BOLT	2						
18	34720510200	SUPPORT	1						
19	90101210022	BOLT	4		M10X22				
20	90302041001	WASHER,SPRING	4		10				
23	90201200800	NUT	4		M8				
29	90303071201	WASHER,PLAIN	2		12				
30	34720518010	SUPPORT ASSY	1						
40	80804012020	BEARING,PLAIN	1						

TR-250M-4-00102 4 BOOM + JIB,3M3D  
PR1400010-00 TRANSMISSION



# TR-250M-4-00102 4 BOOM + JIB,3M3D

Pos No.	Parts No	Parts Name	Qty	Unit	Technical Data	Serial No (Start)	Serial No (End)
1	36350205610	BEARING,ROLLER	1				
2	36350205620	WASHER	1				
3	36350205630	WASHER,THRUST	1				
4	36350205640	BEARING,THRUST NEEDLE	1				
5	36350205650	WASHER,THRUST	1				
6	36350205660	BEARING,NEEDLE	1				
7	36350205670	GEAR (C)	1				
8	59133020040	RING,RETAINING	1				
9	36350205680	PLATE (BACK)	1				
10	36350205690	PLATE,SINTER	7				
11	36350205700	PLATE (STEEL)	6				
12	36350205650	WASHER,THRUST	1				
13	36350205640	BEARING,THRUST NEEDLE	1				
14	36350205630	WASHER,THRUST	1				
15	36350205710	RING,RETAINING	1				
16	36350205720	SPRING	1				
17	36350205730	PISTON (CLUTCH)	1				
18	59133120100	RING,OIL SEAL	1				
19	59433040110	RING,OIL SEAL	1				
20	36350205740	SHAFT (CLUTCH)	1				
21	59433040110	RING,OIL SEAL	1				
22	59133120100	RING,OIL SEAL	1				
23	36350205730	PISTON (CLUTCH)	1				
24	36350205720	SPRING	1				
25	36350205710	RING,RETAINING	1				
26	36350205630	WASHER,THRUST	1				
27	36350205640	BEARING,THRUST NEEDLE	1				
28	36350205650	WASHER,THRUST	1				
29	36350205690	PLATE,SINTER	7				
30	36350205700	PLATE (STEEL)	6				
31	36350205680	PLATE (BACK)	1				
32	59133020040	RING,RETAINING	1				
33	36350205750	GEAR (G)	1				
34	36350205660	BEARING,NEEDLE	1				
35	36350205650	WASHER,THRUST	1				
36	36350205640	BEARING,THRUST NEEDLE	1				
37	36350205630	WASHER,THRUST	1				
38	36350205760	WASHER	1				
39	36350205610	BEARING,ROLLER	1				
40	36350205550	SHIM SET	1				
41	36350205770	RING,OIL SEAL	3				
50	36350205040	CLUTCH PACK, TRANSMISSION (F2&R)	1				

## TR-250M-4-00102 4 BOOM + JIB,3M3D

Pos No.	Parts No	Parts Name	Qty	Unit	Technical Data	Serial No (Start)	Serial No (End)	Remarks	Pa
1	36350205870	PLUG	1						
2	36350205880	SHAFT,DRIVING	1						
3	80602111250	RING,RETAINING	1		125				
4	80500006214	BEARING,BALL	1						
5	36350205890	WASHER	1						
6	36350205900	RING,RETAINING	1						
7	36350026360	RING,RETAINING	1						
8	36350026340	COLLAR	1						
9	36350245370	BEARING,BALL	1						
10	36350026320	RING,RETAINING	1						
11	36350026350	SLEEVE,SLIDE	1						
12	36350026300	BEARING,NEEDLE	1						
13	36350026310	RING,RETAINING	1						
14	36350205910	RING,RETAINING	1						
15	36350205920	WASHER	1						
16	80500006314	BEARING,BALL	1						
17	36350205940	WASHER	1						
18	36350205950	WASHER,THRUST	1						
19	36350026230	BEARING,THRUST	1						
20	36350245400	WASHER,THRUST	1						
21	36350245410	GEAR (F)	1						
22	36350026260	BEARING,NEEDLE	1						
23	36350026240	BEARING,NEEDLE	1						
24	36350245400	WASHER,THRUST	1						
25	36350026230	BEARING,THRUST	1						
26	36350205950	WASHER,THRUST	1						
27	36350026210	SLEEVE,SLIDE	1						
28	36350205980	SHAFT (OUTPUT)	1						
29	36350205950	WASHER,THRUST	1						
30	36350026230	BEARING,THRUST	1						
31	36350245400	WASHER,THRUST	1						
32	36350026240	BEARING,NEEDLE	1						
33	36350026260	BEARING,NEEDLE	1						
34	36350205990	GEAR (K)	1						
35	36350245400	WASHER,THRUST	1						
36	36350026230	BEARING,THRUST	1						
37	36350205950	WASHER,THRUST	1						
38	36350206000	GEAR,PUMP DRIVING	1						
39	36350206010	WASHER	1						
40	80518006214	BEARING,BALL	1						
41	59433510180	RING,OIL SEAL	2						
42	36350206030	RACE,SEAL	1						
43	36350206040	FLANGE (OUTPUT)	1						
44	36350026500	O-RING	1						
45	36350026410	WASHER	1						
46	90302041201	WASHER,SPRING	2		12				
47	90101512030	BOLT	2		M12X30				

# TR-250M-4-00102 4 BOOM + JIB,3M3D

Pos No.	Parts No	Parts Name	Qty	Unit	Technical Data	Serial No (Start)	Ser
3	36350206070	SPRING	1				
4	59233070130	PACKING (COPPER)	1				
5	36350025690	PLUG	1				
7	59433025020	SPRING	1				
8	59433025010	SPRING	1				
10	36350036750	SPRING	1				
11	36350036760	SPRING	1				
13	59433080040	SPRING	1				
15	36350206090	PACKING	1				
16	36350206100	COVER	1				
17	90101510030	BOLT	10		M10X30		
18	36350036790	ELEMENT,FILTER	1				
19	36350036800	O-RING	1				
20	36350036810	PLUG	1				
30	36350205080	PRESSURE REGULATOR VALVE,TRANSMISSION	1				

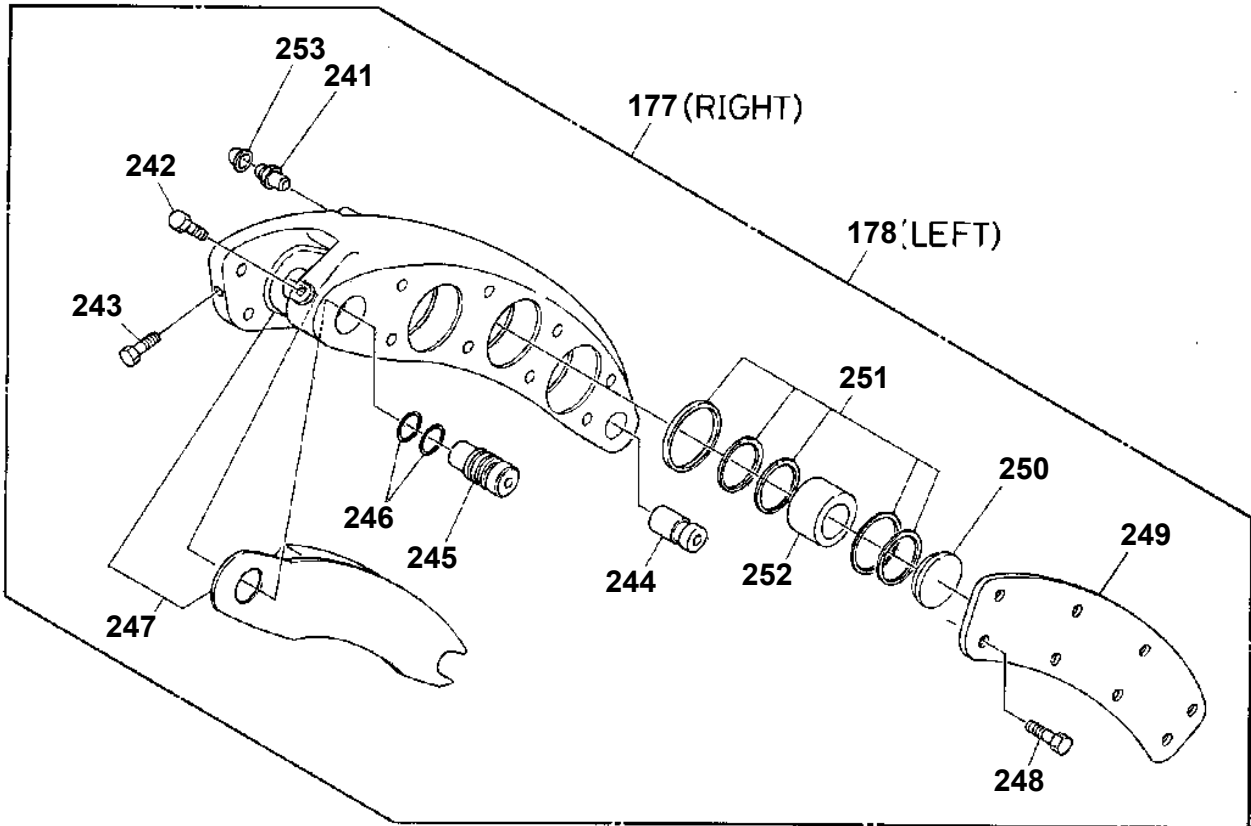
# TR-250M-4-00102 4 BOOM + JIB,3M3D

Pos No.	Parts No	Parts Name	Qty	Unit	Technical Data	Serial No (Start)	Serial No (End)
3	36350036680	SPRING	1				
4	59133570020	PACKING (COPPER)	1				
5	59133585100	PLUG	1				
10	36350246100	VALVE,RELIEF (LUBRICATING OIL,T/M)	1				

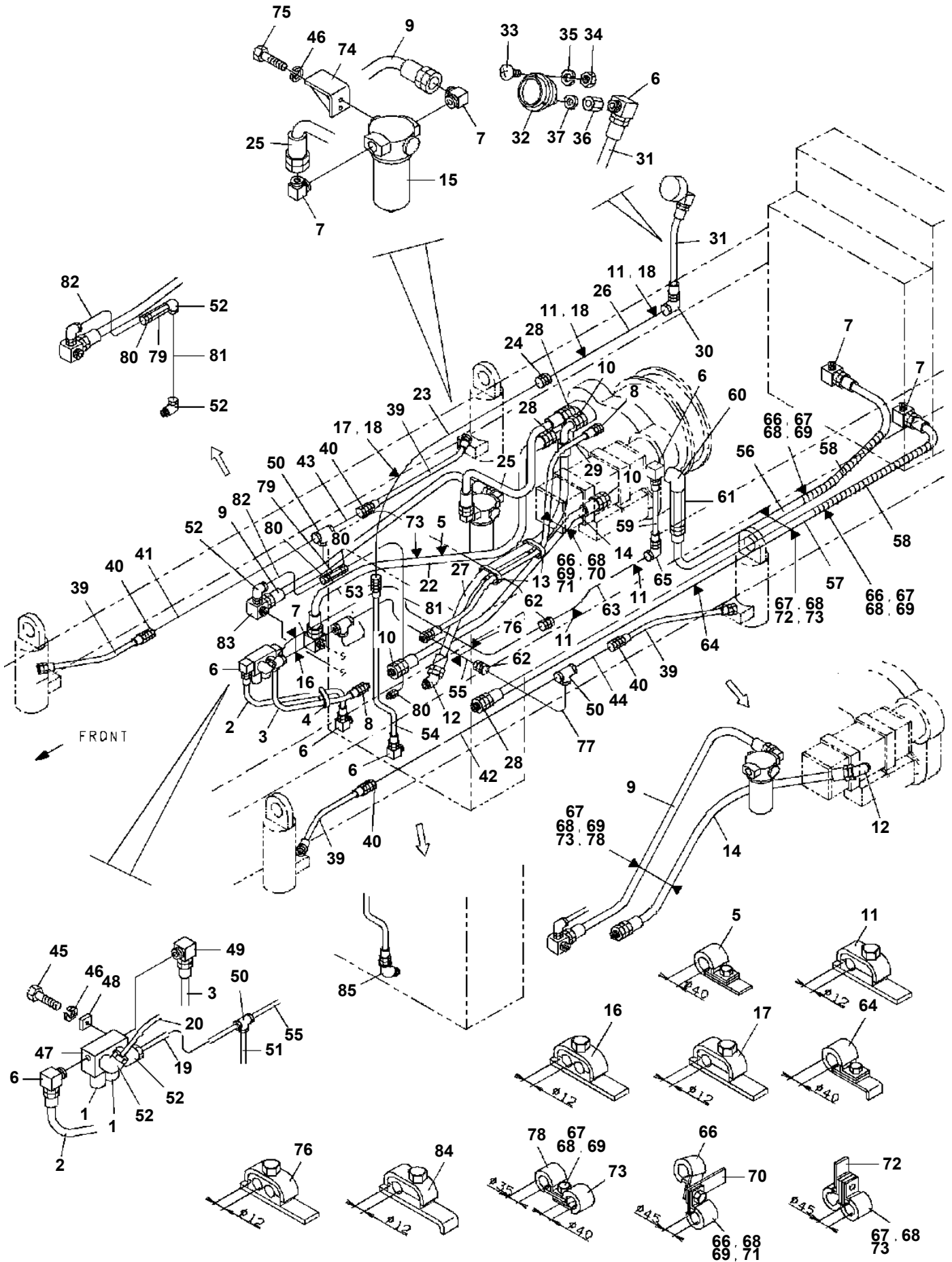
# TR-250M-4-00102 4 BOOM + JIB,3M3D

Pos No.	Parts No	Parts Name	Qty	Unit	Technical Data	Serial No (Start)	Serial No (End)	Rema
9	36300365016	NIPPLE,GREASE	1					
11	36300365026	JOURNAL ASSY	2					
14	36300365016	NIPPLE,GREASE	2					
15	36300365046	BOLT	16					
16	36300365056	WASHER,SPRING	16					
30	36300860006	PROPELLER SHAFT, DRIVING	1					

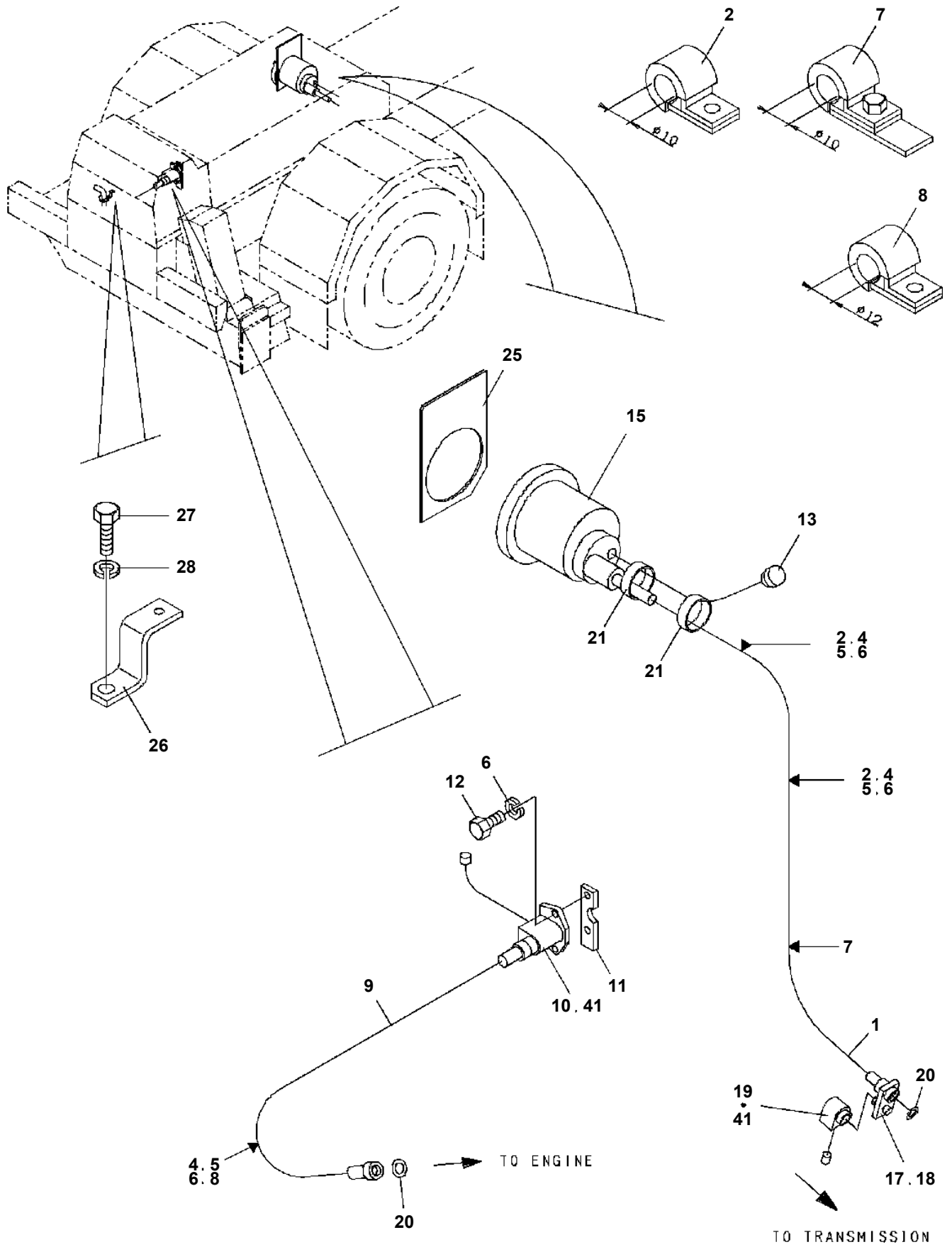
TR-250M-4-00102 4 BOOM + JIB,3M3D  
PR1620022-02 AXLE,DRIVING (REAR NO-SPIN)



**TR-250M-4-00102 4 BOOM + JIB,3M3D  
PR1700016-02 PIPING,CONVERTER**

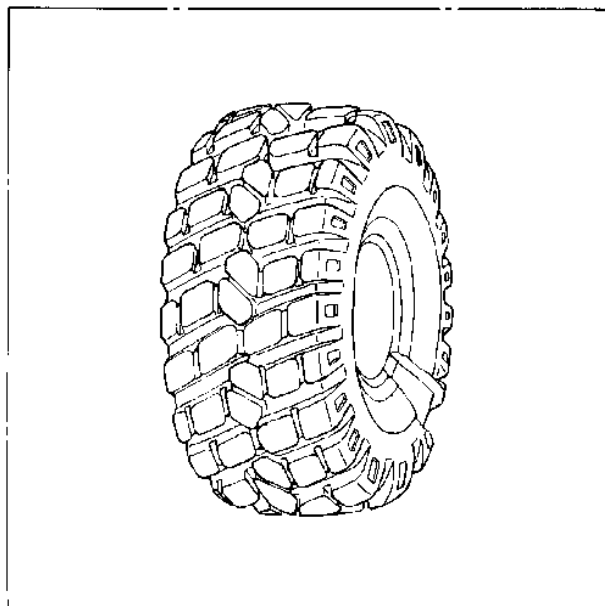


**TR-250M-4-00102 4 BOOM + JIB,3M3D  
PR1740035-00 SPEED METER SYSTEM (YAZAKI)**



**TR-250M-4-00102 4 BOOM + JIB,3M3D  
PR1800001-00 TIRE**

**1**



# TR-250M-4-00102 4 BOOM + JIB,3M3D

Pos No.	Parts No	Parts Name	Qty	Unit	Technical Data	Serial No (Start)	Serial No (End)
2	34720223100	COVER	1				
3	34720223200	COVER	1				
4	90915050305	SCREW,TAPPING	2		M5X30		
5	80175305016	SCREW,MACHINE	2		M5X16		
6	37000302650	SPACER	2		L=12		
7	34720223700	SWITCH ASSY (HAZARD & PARKING)	1				
8	80182406014	SCREW,MACHINE	2		M6X14		
9	90302350601	WASHER,SPRING (6)	2				
10	90303360601	WASHER,PLAIN	2		6		
11	34720223300	SHAFT,STEERING	1				
12	34720223400	COVER	1				
13	34720223500	COVER	1				
14	34720223800	SWITCH ASSY (COMBINATION)	1				
15	80192486025	SCREW,MACHINE	2		M6X25		
16	34720223600	ADAPTER	1				
17	80172304010	SCREW,MACHINE	3		M4X10		
18	90302040401	WASHER,SPRING	3		4		
19	80192484025	SCREW,MACHINE	2		M4X25		
20	90209201200	NUT	1		M12		
21	90302041201	WASHER,SPRING	1		12		
22	90201200400	NUT	2		M4		
23	34720223900	SHIM (T=1)	N				
24	34720224000	HARNESS	1				
25	80182306010	SCREW,MACHINE	1		M6X10		
26	90302040601	WASHER,SPRING	1		6		
27	82100002008	CLAMP	1		WR12		
29	90303071201	WASHER,PLAIN	1		12		
30	90303360501	WASHER,PLAIN	2		5		
31	80192485014	SCREW,MACHINE (WITH WASHER)	2		M5X14		
32	80192484012	SCREW,MACHINE (WITH WASHER)	1		M4X12		
41	34720227810	YOKE ASSY (SPLINE)	1				
42	34720227820	YOKE	1				
43	34720227830	JOINT,UNIVERSAL	1				
44	34720227840	BOLT,SEMS	1				
45	34720227850	SHAFT (SPLINE)	1				
46	34720227860	YOKE ASSY	1				
56	34720227570	COLUMN ASSY (WITH SHAFT)	1				
62	34720227580	SPRING (BALANCE)	1				
63	34720227590	SCREW	2				
64	34720227610	HOOK	1				
65	34720227620	PIN (CENTER	2				
66	34720227630	WASHER (LOCK)	2				
67	34720227640	WASHER	4				
68	34720227650	BRACKET (STEERIN)	1				
69	34720227660	CASE ASSY	1				
70	34720227670	KNOB	1				
71	34720227680	SPRING	1				
72	34720227690	GUIDE,SPRING	1				
73	34720227700	WASHER,THRUST	1				
74	34720227710	PLATE	1				
75	34720227720	BOLT	3				
76	34720227800	PLATE	1				
77	34720227730	WASHER	1				
78	34720227740	PLATE	1				
79	34720227750	PIN (GUIDE)	1				
80	34720227760	PLUNGER	1				
81	34720227770	FLANGE	1				
82	34720227780	BOLT	2				
83	34720227790	KNOB	1				
93	34720227600	SCREW	2				
101	34720225100	HANDLE	1				
102	80172305025	SCREW,MACHINE	2		M5X25		
103	90201200500	NUT	2		M5		

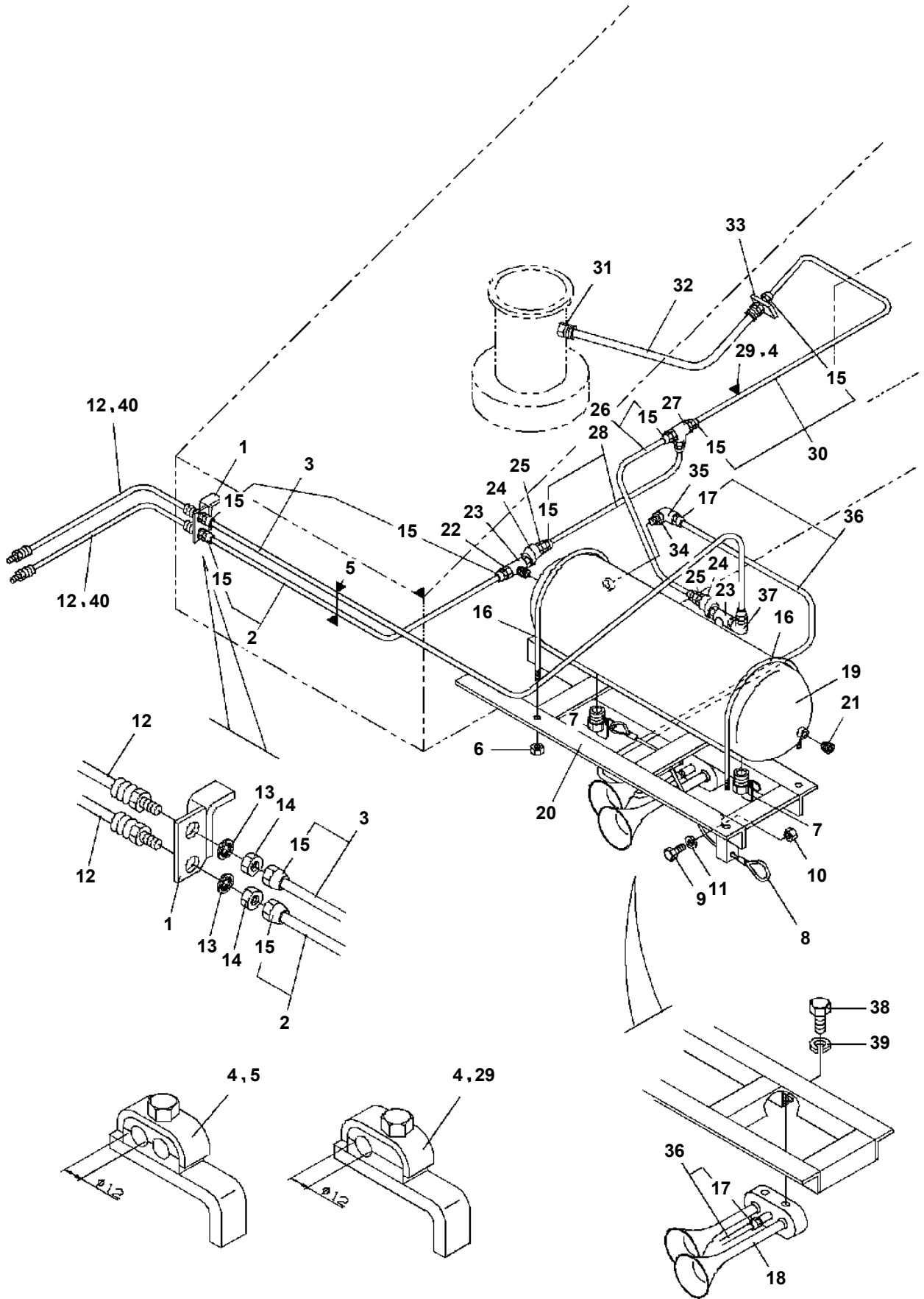
# TR-250M-4-00102 4 BOOM + JIB,3M3D

Pos No.	Parts No	Parts Name	Qty	Unit	Technical Data	Serial No (Start)	Serial No (End)	Remarks
1	19045106030	SEAL,DUST	1					
2	19045106040	RING,RETAINING	1					
3	19045106050	BUSHING (GRAND SEAL)	1					
4	19045106060	O-RING	1					
5	19045106070	SEAL,OIL	1					
7	19045106090	RACE (BEARING)	2					
8	19045106100	BEARING,NEEDLE	1					
10	19045106080	BEARING ASSY (NEEDLL)	1					
11	36631495010	O-RING	1				FB1643	
12	36631495020	O-RING	1				FB1643	
13	36631495030	O-RING	3				FB1643	
	36631495030	O-RING	2			FB1644		
14	36635275020	O-RING	1			FB1644		
15	36631495040	SEAL KIT	1				FB1643	
16	36635275010	SEAL KIT	1			FB1644		
23	36631645010	SPRING	6					
50	36631640000	ORBITROL	1					

## TR-250M-4-00102 4 BOOM + JIB,3M3D

Pos No.	Parts No	Parts Name	Qty	Unit	Technical Data	Serial No (Start)	Serial No (End)
2	36061155000	CYLINDER	1				
3	37001600340	NUT	1				
4	36060143000	PISTON	1				518377
	36061136000	PISTON	1			518378	
5	91684007501	PACKING	2				518377
	91350207500	BEARING,PLAIN (WITH PACKINGX2)	1			518378	
6	91002804000	O-RING	1		1B P40		
7	36061132000	ROD ASSY	1				
8	36060144000	COVER,ROD	1				518377
	36061134000	COVER,ROD	1			518378	
9	91002806500	O-RING	1		1B P65		
10	91251100400	RING,DAMPER	1				
11	91694004000	PACKING	1				
12	91410204001	RING,BACKUP	1				
13	91660004000	SEAL,DUST	1				518377
	91660004001	SEAL,DUST	1			518378	
14	80622000400	RING,RITAINING	1		SP40		518377
15	16616016000	PLATE	1				
16	91801301000	CLIP	1				
17	36061133000	BOOT	1				
18	91801300650	CLIP	1		D=60-65		
19	80136350071	PIN,SPLIT	1				
21	91301104000	BEARING,PLAIN	1			518378	
24	37000400990	BEARING,PLAIN	2				
25	37000402270	BEARING,PLAIN	2				
30	36061150001	CYLINDER,STEERING	1				
40	36061459901	PACKING SET	1		40X75		518377
	36061929900	PACKING SET	1		40X75	518378	

TR-250M-4-00102 4 BOOM + JIB,3M3D  
PT1200035-01 PIPING,BRAKE (1)



# TR-250M-4-00102 4 BOOM + JIB,3M3D

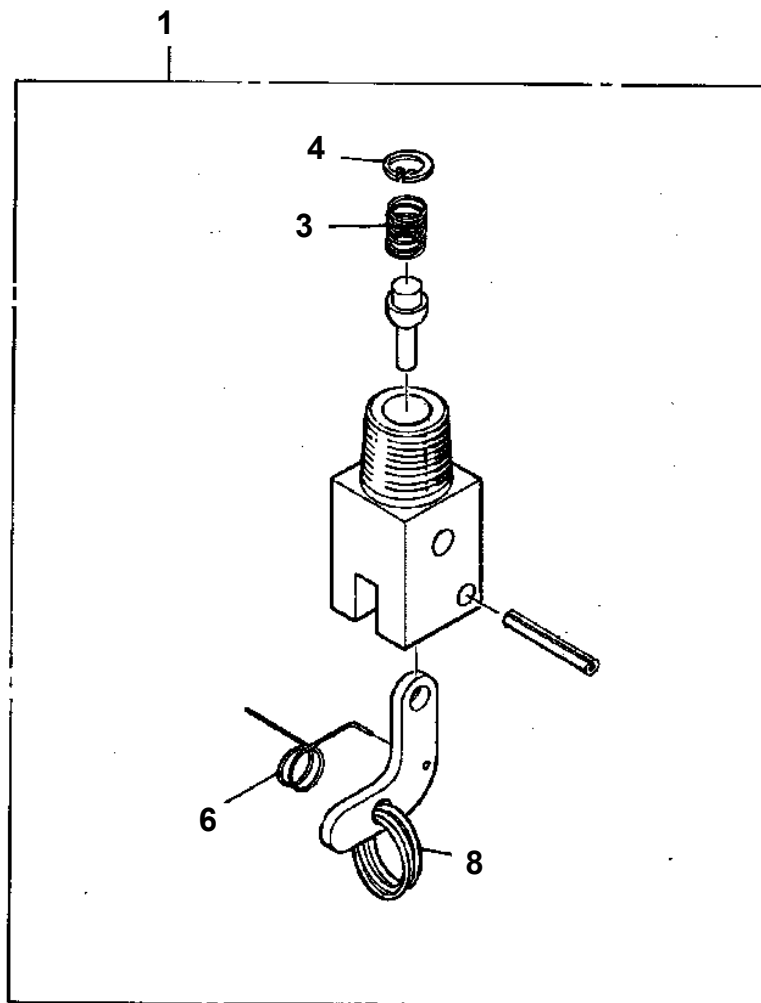
Pos No.	Parts No	Parts Name	Qty	Unit	Technical Data	Serial No (Start)	Serial No (End)
62	59451304000	VALVE,CHECK	4				
63	82100002014	CLAMP	1		WR20		
64	59459003000	FITTING,TEE	1		T,R3/8-M16-M16		
65	81401010001	PIPE,STEEL (DOUBLE LAYER)	1	M	10X0.7T		
66	36601100000	VALVE,REDUCING	1				
67	90101206020	BOLT	4		M6X20		
68	90302040601	WASHER,SPRING	5		6		
69	37000904230	FITTING,ELBOW	2		L,R1/4-M16		
70	37000903930	FITTING	3		S,R1/4-M16		
73	37000904430	FITTING,TEE	1		T,R1/4-M16-M16		
74	37000903350	JOINT	1		R3/8-3/8		
75	37000903940	FITTING	1		S,R3/8-M20		
76	37000908180	JOINT	2		R1/2-R3/8-R1/4-R1/8	518363	518362
	37000921380	JOINT	2				
77	59181005000	SWITCH,PRESSURE (AIR)	1				
78	59451305000	VALVE,SAFETY (ASSY ONLY)	1				
79	90101208020	BOLT	7		M8X20		
80	90302040801	WASHER,SPRING	19		8		
81	36641580000	VALVE,SOLENOID	1			516825	516824
	36642260000	VALVE,SOLENOID	1				
82	90101204012	BOLT	2		M4X12		
83	90302040401	WASHER,SPRING	2		4		
84	56076813000	JOINT	1		T,PT1/2-PT3/8-PT1/4		
85	36870130000	DRIER,AIR	1				
86	90101210025	BOLT	4		M10X25		
87	90303071001	WASHER,PLAIN	4		10		
88	90302041001	WASHER,SPRING	6		10		
89	37000904020	FITTING	1		S,M14-M14		
90	37000707820	CLAMP ASSY	1				
91	37000534120	PLATE	1				
92	37002421990	HOSE,AIR	2		L=375		
93	90211201600	NUT	3		M16		
94	37000534130	PLATE	1				
95	37002422050	HOSE,AIR	1		L=375		
96	37000910040	JOINT,BUSHING	1				
97	37002422000	HOSE,AIR	1		L=450		
98	37000913720	JOINT	1				
99	80430450450	JOINT	2		YL502		
100	81401010001	PIPE,STEEL (DOUBLE LAYER)	2	M	10X0.7T		
101	37002432180	HOSE,AIR	1		L=600		
102	34920620310	SUPPORT	1				
103	81401063501	PIPE,STEEL (DOUBLE LAYER)	2	M	6.35X0.7T		
104	81401010001	PIPE,STEEL (DOUBLE LAYER)	1	M	10X0.7T		
105	90101208014	BOLT	12		M8X14		
106	90303070801	WASHER,PLAIN	13		8		
107	81401010001	PIPE,STEEL (DOUBLE LAYER)	2	M	10X0.7T		
108	81401010001	PIPE,STEEL (DOUBLE LAYER)	2	M	10X0.7T		
109	37000903420	FITTING	2		S,R3/8-M16		
110	37000905420	JOINT	1				
111	80316040060	PLUG	1		NTN PGDPT3/8		
112	37000701900	CLAMP ASSY	1				
113	37000702270	CLAMP ASSY	1				
114	37000702340	CLAMP ASSY	3				
115	37000702350	CLAMP ASSY	1				
116	81408000160	PIPE,STEEL	1	M	12X1.4T		
117	90201200600	NUT	1		M6		
118	90101206014	BOLT	1		M6X14		
119	82100002039	CLAMP	3				
120	36870110000	PLUG	4				
121	37000709200	CLAMP ASSY	1				
122	80316050080	PLUG	5		NTN/PGCPT1/2		
123	37000904040	FITTING	1		S,M20-M20		
124	37000903910	FITTING	2		S,R1/8-M12		516824

TR-250M-4-00102 4 BOOM + JIB,3M3D  
PT1380010-01 COCK,DRAIN

組立名称  
Assembly Name

コック, ドレイン  
COCK, DRAIN

PT138-0010-01



## TR-250M-4-00102 4 BOOM + JIB,3M3D

Pos No.	Parts No	Parts Name	Qty	Unit	Technical Data	Serial No (Start)	Serial No (End)	Remarks
1	36060941000	CYLINDER ASSY	1					
3	36060383000	PLATE	1					
4	80720105032	PIN,SPRING	1		5X32		516548	
5	91302210000	BEARING,PLAIN	2					
6	91684010000	PACKING	2					
7	36060152002	PISTON	1				516548	
8	91431208502	RING,BACKUP	1					
9	91002805000	O-RING	1		1B P50			
10	91411005000	RING,BACKUP	1					
11	91002809000	O-RING	1		1B P90			
12	91411009000	RING,BACKUP	1		P90			
13	91251100500	RING,DAMPER	1					
14	91694005000	PACKING	1					
15	91410205001	RING,BACKUP	1					
16	36060943000	COVER,ROD	1					
17	91660005000	SEAL,DUST	1					
18	80622000500	RING,RITAINING	1		SP50			
19	36060944000	ROD	1					
20	80136363063	PIN,SPLIT	1		6.3X63	516549		
31	80530000064	BEARING,SPHERICAL	1					
32	59152201000	STOPPER	2					
40	36060949900	PACKING SET	1		50X100			
50	36060940000	CYLINDER,SPRING LOCK	1					
62	36061472000	PISTON	1			516549		

## TR-250M-4-00102 4 BOOM + JIB,3M3D

Pos No.	Parts No	Parts Name	Qty	Unit	Technical Data	Serial No (Start)	Serial No (End)	Remark
1	91990150000	BOX,TOOL	1					
2	91992130750	HAMMER	1		680G			
3	91991340000	SPANNER,OPEN-END	1					
4	91991310027	SPANNER,SINGLE END (27)	1					
5	91991310030	SPANNER,SINGLE END (30)	1					
6	91991310032	SPANNER,SINGLE END (32)	1					
7	91991310036	SPANNER,SINGLE END (36)	1					
8	91991310041	SPANNER,SINGLE END (41)	1					
9	91991210250	WRENCH,MONKEY (250MM)	1					
10	91994110200	SCREWDRIVER	1		L=200			
11	91994250002	SCREWDRIVER (+)	1		L=100			
12	91994250003	SCREWDRIVER (+)	1		L=150			
13	91995110200	PLIER (200MM)	1					
14	91991540508	WRENCH SET,HEXAGON	1					
16	37004100030	PUMP,GREASE (240CC)	1					
17	19118906000	WRENCH,HUB NUT	1				518198	
	91991713820	WRENCH,HUB NUT	1			518199		
18	36680880000	GAUGE,TIRE	1				515904	
	91996100001	GAUGE,TIRE	1			515905		
20	19418930010	HOSE	1		5X7X1300			
31	19218903000	HOLDER	1					
32	34220125100	HANDLE	1					
33	56260007000	HOLDER	2					
34	34220125200	SUPPORT	1					
40	34460008020	TOOL ASSY	1					

# TR-250M-4-00102 4 BOOM + JIB,3M3D

Pos No.	Parts No	Parts Name	Qty	Unit	Technical Data	Serial No (Start)	Serial No (End)	Remarks	Pages
1	34690755100	COVER	1						
2	34690755200	COVER	1						
3	34690755300	SUPPORT	1						
4	34690755400	SUPPORT	1						
5	34690755500	SUPPORT	1						
6	34690755600	INSULATOR	1						
7	34690755700	PLATE	1						
8	34690755800	SUPPORT	2						
9	90101208020	BOLT	20		M8X20				
10	90302040801	WASHER,SPRING	20		8				
11	90303070801	WASHER,PLAIN	16		8				
12	34690755900	SUPPORT	1						
21	82400000075	GROMMET	1						

# TR-250M-4-00102 4 BOOM + JIB,3M3D

Pos No.	Parts No	Parts Name	Qty	Unit	Technical Data	Serial No (Start)	Serial No (End)	Remarks	Pages
1	34760450101	SUPPORT	1						
2	90101212030	BOLT	4		M12X30				
3	90302041201	WASHER,SPRING	4		12				
4	59424584000	PLATE	1						
10	34760458010	SUPPORT ASSY	1						

## TR-250M-4-00102 4 BOOM + JIB,3M3D

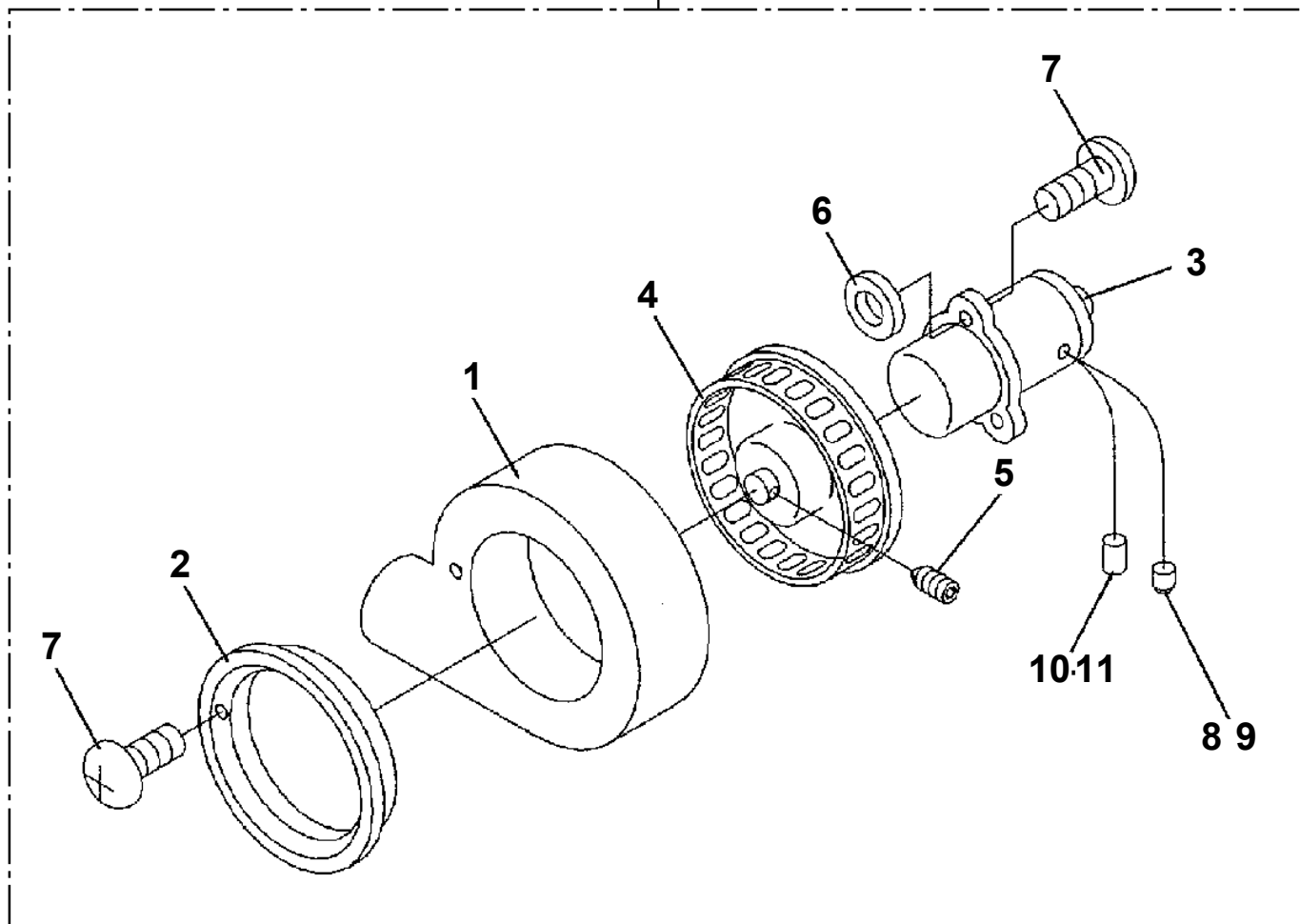
Pos No.	Parts No	Parts Name	Qty	Unit	Technical Data	Serial No (Start)	Serial No (End)	Remarks
91	82100001200	DIODE	2					
92	82100000266	DIODE	2					
93	59481504000	RELAY	1					
94	80182306010	SCREW,MACHINE	1		M6X10			
95	90302040601	WASHER,SPRING	1		6			
96	90303070601	WASHER,PLAIN	1		6			
97	34350171680	RELAY ASSY	1					
98	80172303012	SCREW,MACHINE	2		M3X12			
99	90302040301	WASHER,SPRING	2		3			
100	90303070301	WASHER,PLAIN	2		3			
111	82100001682	SWITCH,TOGGLE	1					
121	34350003500	RELAY	1					
131	34510282900	NOZZLE	2					

## TR-250M-4-00102 4 BOOM + JIB,3M3D

Pos No.	Parts No	Parts Name	Qty	Unit	Technical Data	Serial No (Start)	Serial No (End)	Remark
1	80303030180	FITTING,ELBOW	1		KLN15-030N			
2	80303030140	FITTING,ELBOW	2		KLN12-020N			
3	80302010140	FITTING	3		C717KCT12-020N			
5	81408000160	PIPE,STEEL	1	M	12X1.4T			
6	34473602100	JOINT	1					
7	36641130000	VALVE,SOLENOID	1					
8	90131506035	BOLT,HEXAGON SOCKET	4		M6X35			
9	80305010100	FITTING,TEE	1		KTA12-000N			
12	81408000210	PIPE,STEEL	1	M	15X2.0T			
13	81408000160	PIPE,STEEL	1	M	12X1.4T			
14	81408000210	PIPE,STEEL	1	M	15X2.0T			
15	81408000160	PIPE,STEEL	1	M	12X1.4T			
16	80302010180	FITTING	3		KCT15-030N			
17	80306010100	NUT	2		KKN12-000N			
18	80309010100	SLEEVE	2					
19	81408000160	PIPE,STEEL	1	M	12X1.4T			
20	36640450000	VALVE,SOLENOID	1					
21	81408000160	PIPE,STEEL	1	M	12X1.4T			
22	34473602200	SUPPORT	1					
23	36670610000	FILTER,OIL	1					
24	80302010160	FITTING	2		KCT12-030N			
25	81408000160	PIPE,STEEL	1	M	12X1.4T			
29	90131505050	BOLT,HEXAGON SOCKET	2		M5X50			

TR-250M-4-00102 4 BOOM + JIB,3M3D  
PY1360016-00 FAN,DEFROSTER

50



# TR-250M-4-00102 4 BOOM + JIB,3M3D

Pos No.	Parts No	Parts Name	Qty	Unit	Technical Data	Serial No (Start)	Serial No (End)
1	36320165020	CASE (COOLING UNIT)	1				
2	36660840000	MOTOR,HYDRAULIC (COOLER,OIL)	1				
3	36320165200	BOLT	2				
4	36320165210	WASHER,PLAIN	4				
5	36320165220	WASHER,SPRING	2				
6	36320165230	NUT	2				
7	36320165030	PULLEY (CRANK SHAFT)	1				
8	36320202300	WASHER,PLAIN	1				
9	36320202320	BOLT	1		M8X20		
10	36320165010	BELT,V	1				
11	36320165040	COMPRESSOR ASSY (WITH CLUTCH)	1				
13	36320165060	BRACKET	1				
17	36320165070	CASE (COOLING UNIT)	1				
18	36320165080	CONDENSER ASSY	1				
20	36320165130	TUBE (LIQUID)	1				
21	36320165140	SWITCH,PRESSURE (LOW PRESSURE)	1				
22	36320165150	SWITCH,PRESSURE (HIGH PRESSURE)	1				
25	36320165160	HOSE,DISCHARGE	1				
28	36320165170	TANK,RECEIVER	1				
29	36320165180	HOLDER (RECEIVER)	1				
30	36320255200	SET ASSY,RELAY	2				
31	36320165190	HARNESS ASSY (WIRING)	1				
41	36320165050	COMPRESSOR ASSY	1				
42	36320196230	CLUTCH,MAGNET	1				
51	36320195500	BRACKET (CONDENSER)	1				
53	36320165090	CORE (CONDENSER)	1				
54	36320165100	SHROUD (FAN)	1				
55	36320195540	FAN (COOLING)	1				
57	36320165110	MOTOR ASSY	1				
61	36320165120	BRACKET (CONDENSER)	1				
71	36320196240	STATOR (MAGNET CLUTCH)	1				
72	36320196250	ROTOR (MAGNET CLUTCH)	1				
73	36320196260	HUB,CLUTCH	1				
89	36660845010	HOLDER (SPRING)	2				
90	36660845020	SPRING	1				
95	36660845030	RING,RETAINING	1				
96	36660845040	RING,RETAINING	1				
98	90131510050	BOLT,HEXAGON SOCKET	3		M10X50		
103	36660845050	KEY	1				
111	36660845060	SEAL KIT (REPAIR KIT)	1				
127	36660845070	SEAL,OIL	1				
131	36660845080	GASKET	1				
200	36320160001	COMPRESSOR ASSY	1				

## TR-250M-4-00102 4 BOOM + JIB,3M3D

Pos No.	Parts No	Parts Name	Qty	Unit	Technical Data	Serial No (Start)	Serial No (End)	Remark
1	80303030180	FITTING,ELBOW	1		KLN15-030N			
2	80303030140	FITTING,ELBOW	3		KLN12-020N			
3	80302010140	FITTING	5		C717KCT12-020N			
4	81408000160	PIPE,STEEL	1	M	12X1.4T			
5	81408000160	PIPE,STEEL	1	M	12X1.4T			
6	34473602100	JOINT	1					
7	36641130000	VALVE,SOLENOID	1					
8	90131506035	BOLT,HEXAGON SOCKET	4		M6X35			
9	80305010100	FITTING,TEE	2		KTA12-000N			
10	81408000160	PIPE,STEEL	1	M	12X1.4T			
11	81408000160	PIPE,STEEL	1	M	12X1.4T			
12	81408000210	PIPE,STEEL	1	M	15X2.0T			
13	81408000160	PIPE,STEEL	1	M	12X1.4T			
14	81408000210	PIPE,STEEL	1	M	15X2.0T			
15	81408000160	PIPE,STEEL	1	M	12X1.4T			
16	80302010180	FITTING	3		KCT15-030N			
17	80306010100	NUT	6		KKN12-000N			
18	80309010100	SLEEVE	6					
19	81408000160	PIPE,STEEL	1	M	12X1.4T			
20	36640450000	VALVE,SOLENOID	2					
21	81408000160	PIPE,STEEL	1	M	12X1.4T			
22	34473602200	SUPPORT	2					
23	36670610000	FILTER,OIL	2					
24	80302010160	FITTING	4		KCT12-030N			
25	81408000160	PIPE,STEEL	1	M	12X1.4T			
26	81408000160	PIPE,STEEL	1	M	12X1.4T			
27	81408000160	PIPE,STEEL	1	M	12X1.4T			
28	81408000160	PIPE,STEEL	1	M	12X1.4T			
29	90131505050	BOLT,HEXAGON SOCKET	4		M5X50			

CLICK HERE TO **DOWNLOAD** THE COMPLETE MANUAL

- Thank you very much for reading the preview of the manual.
- You can download the complete manual from: [www.heydownloads.com](http://www.heydownloads.com) by clicking the link below



- Please note: If there is no response to CLICKING the link, please download this PDF first and then click on it.

CLICK HERE TO **DOWNLOAD** THE COMPLETE MANUAL