

## **TR-250M-4-00110 4 BOOM + JIB(SU),2M2D**

**PB1000117-03 HYDRAULIC PRESSURE GENERATING SYSTEM**  
**PC1000087-00 OUTRIGGER SYSTEM**  
**PD1000116-00 SWING SYSTEM**  
**PE1000111-00 ELEVATING SYSTEM**  
**PF1000099-02 WINCH SYSTEM**  
**PG1000112-03 TELESCOPING SYSTEM**  
**PH1000109-04 SAFETY DEVICES**  
**PI1000116-02 HYDRAULIC DEVICES**  
**PK1000118-02 FRAME**  
**PL1000115-02 CONTROL DEVICES**  
**PM1000032-01 LUBRICATION DEVICES**  
**PN1000111-03 ELECTRIC EQUIPMENT**  
**PO1000114-01 INDICATION PLATES**  
**PQ1000039-00 DRIVING POWER GENERATING SYSTEM**  
**PR1000029-01 DRIVING POWER TRANSMISSION SYSTEM**  
**PS1000040-01 STEERING SYSTEM**  
**PT1000030-01 BRAKE SYSTEM**  
**PU1000026-00 SUSPENSION**  
**PW1000097-02 ACCESSORIES & TOOLS**  
**PX1000115-02 MOUNTING PARTS**  
**PY1000097-05 OPTIONS**  
**ASSEMBLY**

CLICK HERE TO **DOWNLOAD** THE COMPLETE MANUAL

- Thank you very much for reading the preview of the manual.
- You can download the complete manual from: [www.heydownloads.com](http://www.heydownloads.com) by clicking the link below



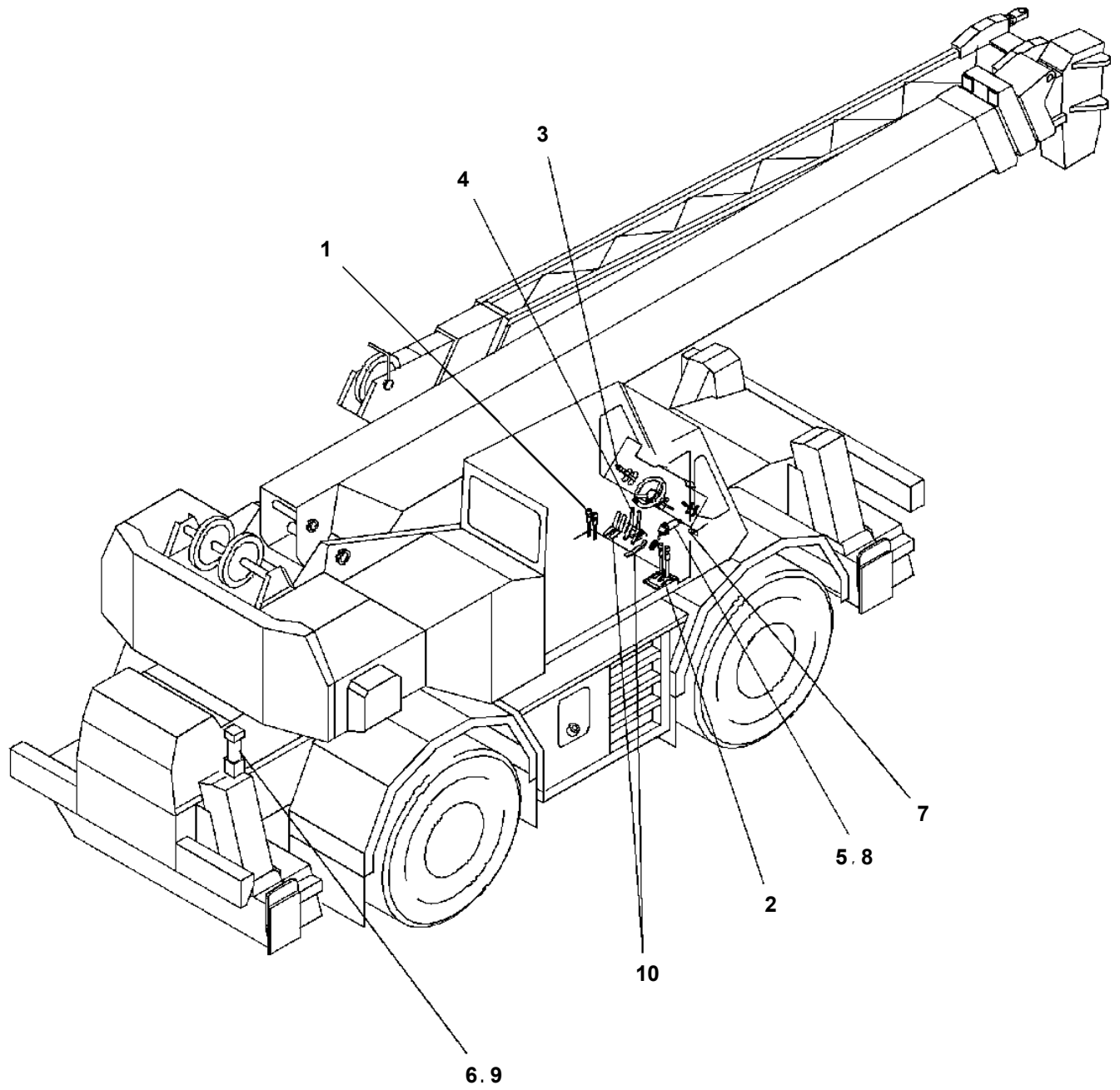
- Please note: If there is no response to CLICKING the link, please download this PDF first and then click on it.

CLICK HERE TO **DOWNLOAD** THE COMPLETE MANUAL

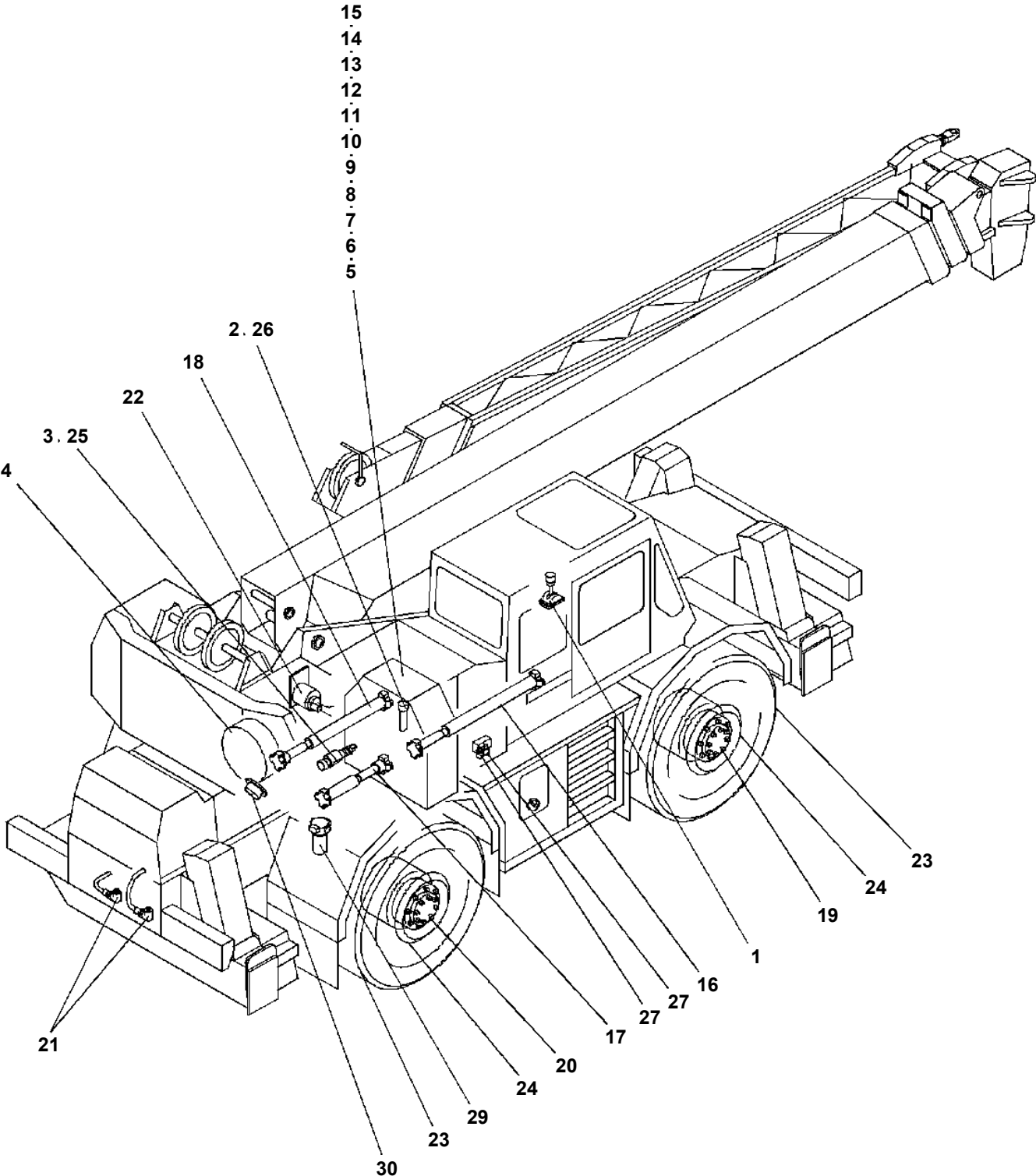
**TR-250M-4-00110 4 BOOM + JIB(SU),2M2D**

Pos No.	Parts No	Parts Name	Qty	Unit	Technical Data	Serial No (Start)	Serial No (End)
1	36071100000	WINCH (MAIN)	1				
2	36071110000	WINCH (AUX.)	1				
4	36310150000	CLUTCH,WINCH	1				
5	36310140000	CLUTCH,WINCH	1				
7	36091220000	HOOK (MAIN)	1				
	36093300000	HOOK (MAIN)	1			517747	517746
8	36092880000	HOOK (SHEAVE 1 PC,OPTION)	1				
9	(*****)	HOOK (AUXILIARY)	1				
10	36092780000	HOOK (OPTION,12TON)	1				
11	(*****)	HOOK (4-PART LINE, OPTION)	1				
13	37001800060	ROPE,WIRE (TESAC)	1				
14	37001802900	ROPE,WIRE	1				
16	(*****)	SOCKET,ROPE	1				
17	(*****)	SOCKET,ROPE (SEIZING )	1				
18	(*****)	OPE.ASSY, WINCH BRAKE (MAIN)	1				
19	(*****)	OPE.ASSY, WINCH BRAKE (AUX.)	1				
21	34310643000	BAND,WINCH BRAKE (MAIN)	1				
22	34310583000	BAND,WINCH BRAKE	1				
24	(*****)	OPE. ASSY,DRUM LOCK	1				
25	(*****)	OPE.ASSY,CLUTCH (MAIN)	1				
26	(*****)	OPE.ASSY,CLUTCH (AUX.)	1				
27	(*****)	DETECTOR,DISORDERLY WIND (MAIN)	1				
28	(*****)	DETECTOR,DISORDERLY WIND (AUX.)	1				
30	(*****)	PIPING,WINCH (MAIN)	1				
31	(*****)	PIPING,WINCH (AUX.)	1				
33	(*****)	PIPING,WINCH BRAKE (MAIN)	1				
34	(*****)	PIPING,WINCH BRAKE (AUX.)	1				
36	(*****)	DETECTOR,DRUM ROTATION (MAIN)	1				
37	(*****)	DETECTOR,DRUM ROTATION (AUX.)	1				
38	36632920000	VALVE,CLUTCH	1				
39	36672739510	JOINT,WINCH ROTARY	2				
40	(*****)	MOUNT,WINCH (MAIN)	1				
41	(*****)	MOUNT,WINCH (AUX.)	1				
43	36661030000	MOTOR,HYDRAULIC	2				
45	36061550000	CYLINDER,MASTER	2				
46	36601070000	VALVE,REDUCING	1				
49	36641880000	VALVE,HYDRAULIC	2				
50	(*****)	VALVE,COUNTERBALANCE	2				

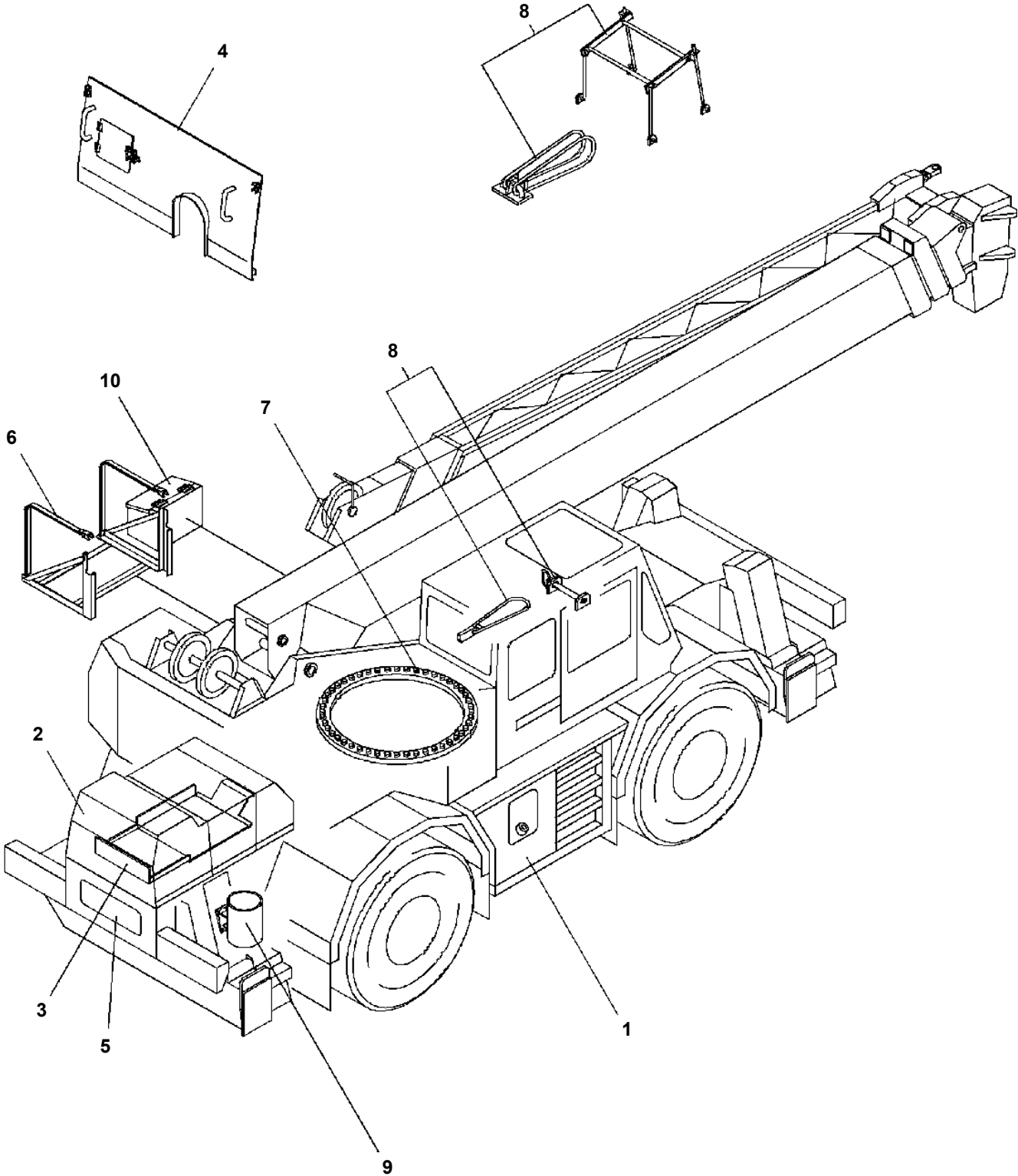
**TR-250M-4-00110 4 BOOM + JIB(SU),2M2D  
PL1000115-02 CONTROL DEVICES**



**TR-250M-4-00110 4 BOOM + JIB(SU),2M2D**  
**PR1000029-01 DRIVING POWER TRANSMISSION SYSTEM**



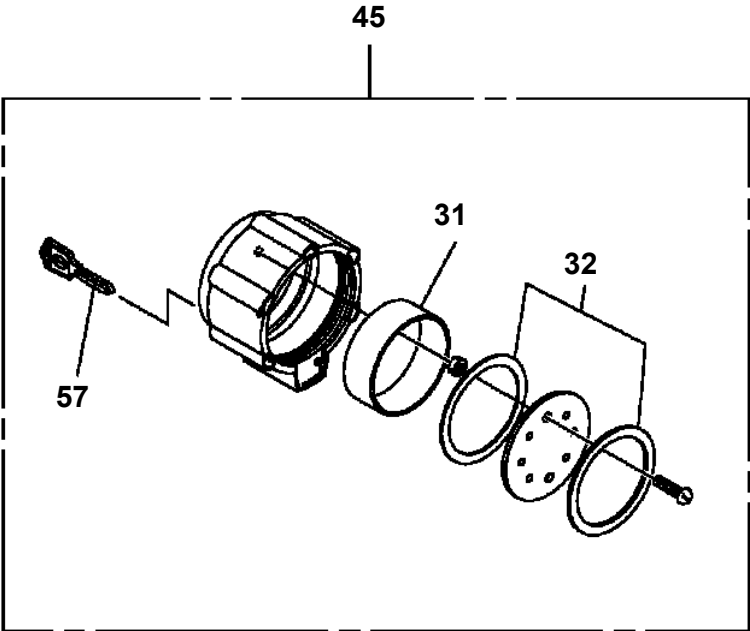
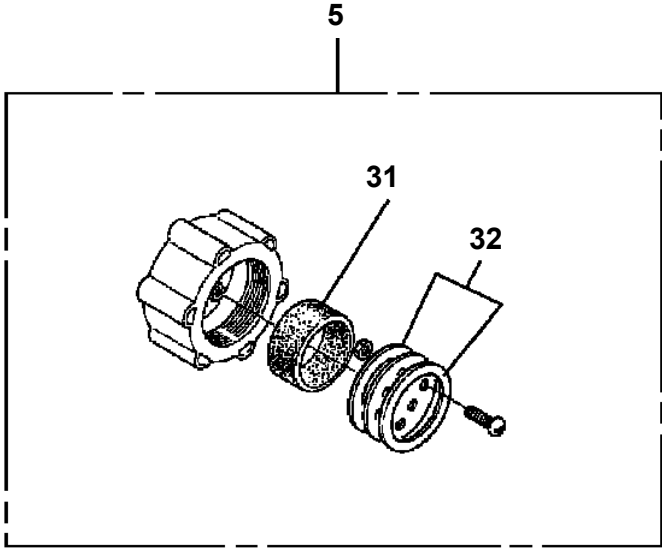
**TR-250M-4-00110 4 BOOM + JIB(SU),2M2D  
PX1000115-02 MOUNTING PARTS**



# TR-250M-4-00110 4 BOOM + JIB(SU),2M2D

Pos No.	Parts No	Parts Name	Qty	Unit	Technical Data	Serial No (Start)	Serial M
1	36650685010	SEAL KIT (REPAIR KIT)	1				
2	36650685020	GEAR ASSY	1				
5	36650680000	PUMP,HYDRAULIC (EMERGENCY STEERING)	1				

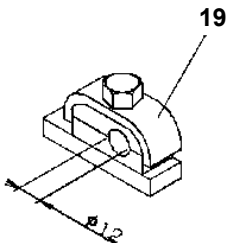
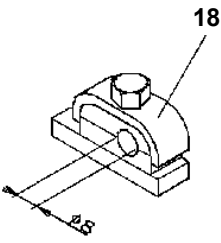
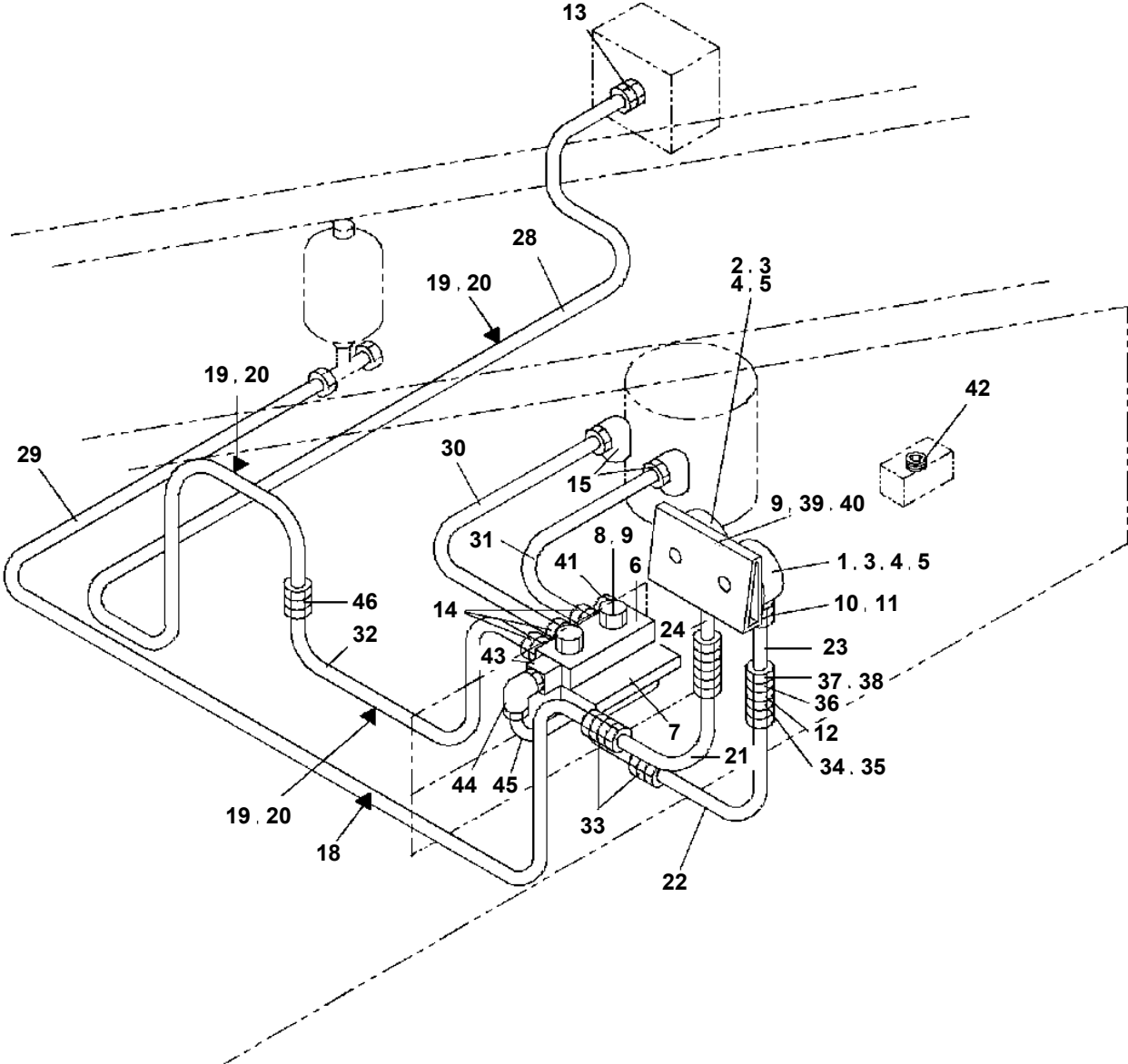
TR-250M-4-00110 4 BOOM + JIB(SU),2M2D  
PB1130194-02 TANK,OIL



# TR-250M-4-00110 4 BOOM + JIB(SU),2M2D

Pos No.	Parts No	Parts Name	Qty	Unit	Technical Data	Serial No (Start)	Serial No (End)	Remarks	Pages
80	91002801800	O-RING	1		1B P18				

TR-250M-4-00110 4 BOOM + JIB(SU),2M2D  
PB1280028-00 PIPING,GAUGE

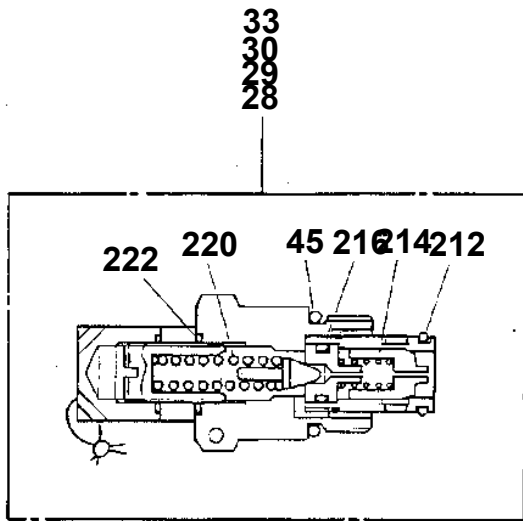


TR-250M-4-00110 4 BOOM + JIB(SU),2M2D

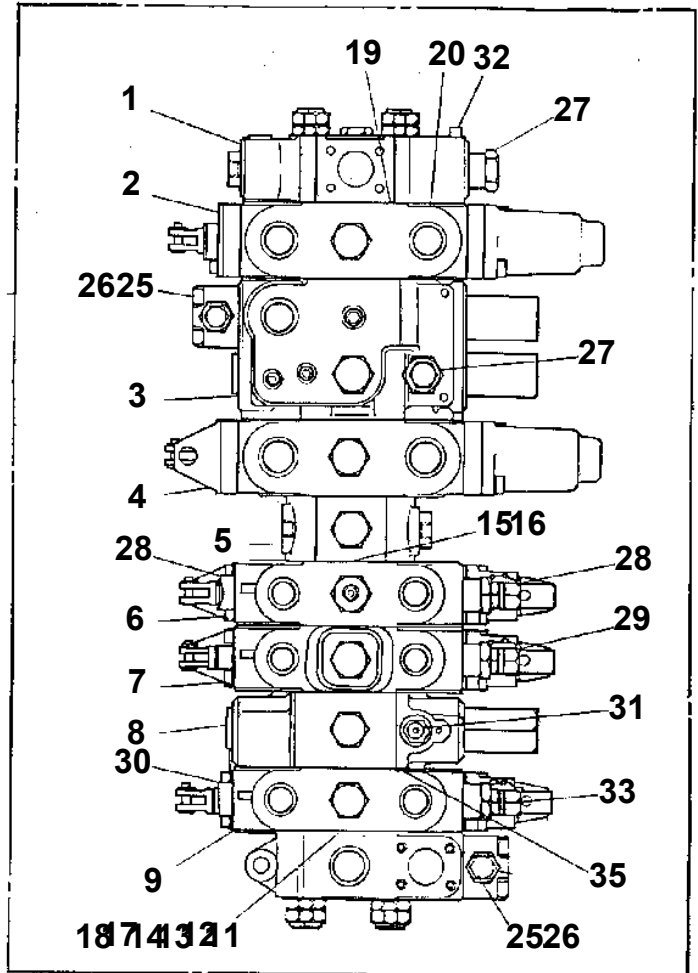
PB1320175-00 VALVE,MANUAL CONTROL (P.TILT JIB,SP/C)

Assembly Name VALVE, MANUAL CONTROL (P. TILT JIB, S CENTER)

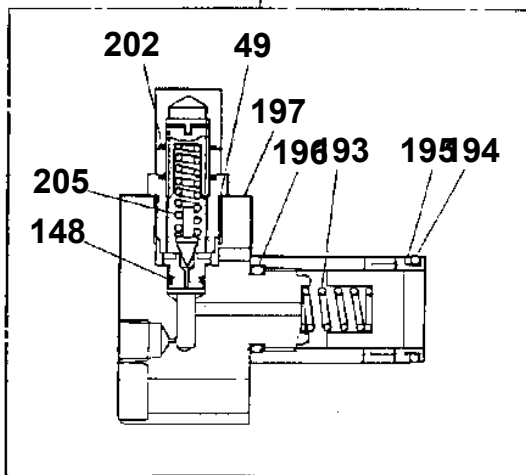
PB132-0175-00



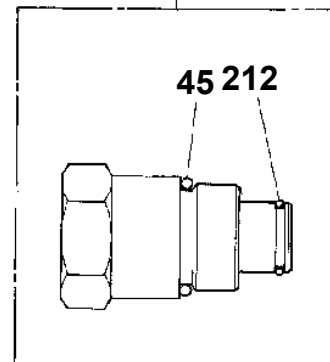
250



25



27



# TR-250M-4-00110 4 BOOM + JIB(SU),2M2D

Pos No.	Parts No	Parts Name	Qty	Unit	Technical Data	Serial No (Start)	Serial No (E
1	36640185010	COVER	1				
3	19045102020	COVER (T)	1				
5	36640015030	PLUG	2		1/4		
6	19045102030	PLUG	1				
10	19415102030	SEAT,SPRING	2				
12	19415120170	NUT	8				
13	19045102290	FOIL	8				
14	19491046040	BOLT,TIE	4				
15	19225102191	SPRING	2				
16	19045102120	SPRING	1				
17	19225102181	SPRING	2				
18	91001100700	O-RING	4		1A P7		
19	91002801100	O-RING	2		1B P11		
20	91001101200	O-RING	2		1A P12		
21	91002802100	O-RING	1		1B P21		
22	91001203000	O-RING	2		1A G30		
23	91000512000	O-RING	4				
24	91000514000	O-RING	2				
25	19491046020	PLUG	4		NPTF1/16		
27	80316030080	PLUG	1		PT1/2		
28	90131504065	BOLT,HEXAGON SOCKET	8		M4X65		
29	90131508020	BOLT,HEXAGON SOCKET	2		M8X20		
30	90131508070	BOLT,HEXAGON SOCKET	2		M8X70		
32	90302041201	WASHER,SPRING	8		12		
35	36640015021	SOLENOID	2				
36	36600060000	VALVE,RELIEF	1				
37	91000511400	O-RING	1		AS568-114		
38	36640185020	PLUG	1				
39	91000511900	O-RING	1		AS568-119		
40	80316030020	PLUG	1		PT1/8		
56	36600065080	CAP	1				
60	36640190000	VALVE,SOLENOID CONTROL(GRAPPLE)	1				
70	19491046030	SOLENOID ASSY	2				

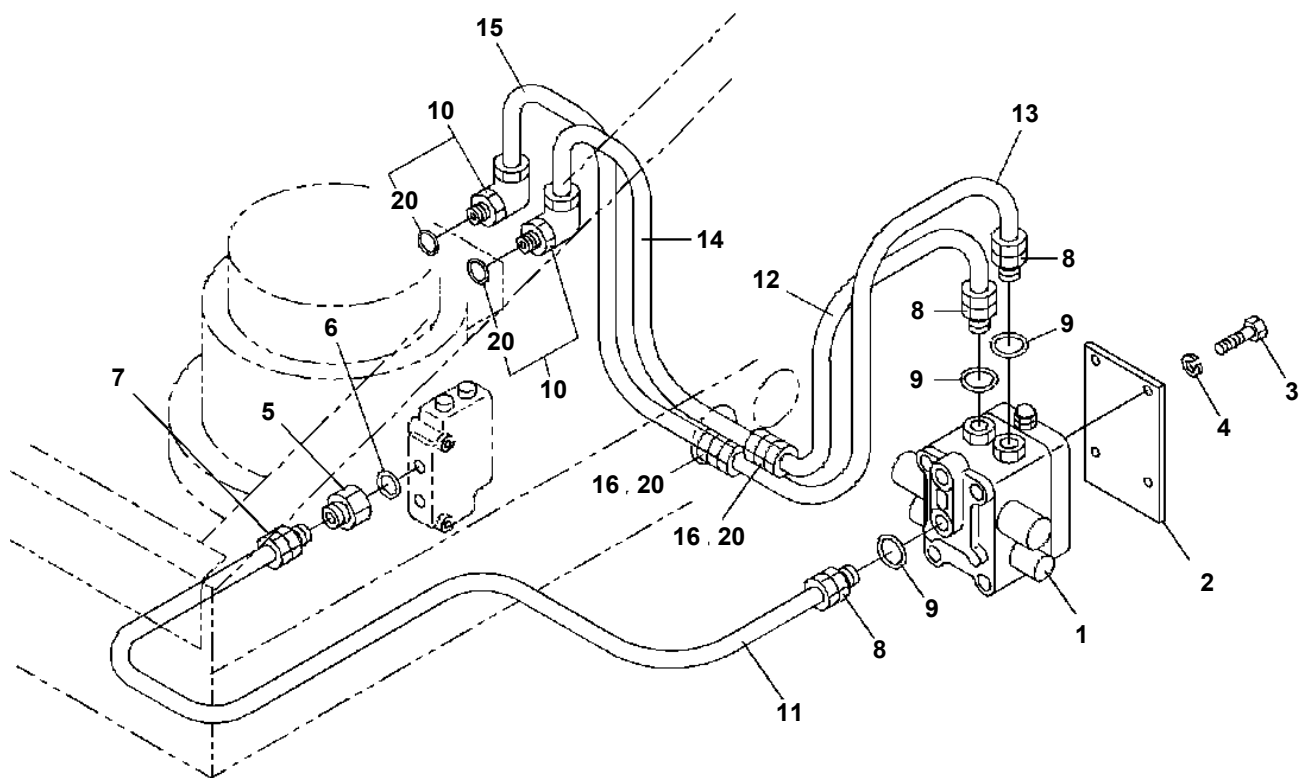
## TR-250M-4-00110 4 BOOM + JIB(SU),2M2D

Pos No.	Parts No	Parts Name	Qty	Unit	Technical Data	Serial No (Start)	Serial No (End)	Remarks	F
87	82100001200	DIODE	4						
88	34350032400	PLATE	1						
89	82100001989	TERMINAL	1						
90	80172303016	SCREW,MACHINE	2		M3X16				
91	90303070301	WASHER,PLAIN	4		3				
92	90302040301	WASHER,SPRING	2		3				
93	90201200300	NUT	1		M3				
94	80172305014	SCREW,MACHINE	4		M5X14				
95	90302040501	WASHER,SPRING	4		5				
96	90303070501	WASHER,PLAIN	4		5				
97	82100000266	DIODE	1						
98	34730621010	TERMINAL	1						
99	80172303008	SCREW,MACHINE	1		M3X8				
100	34730621020	SPACER	1						
101	32700007100	COVER	1						
102	82400000303	LEVEL	1						
103	32700007200	SUPPORT	1						
104	90201200500	NUT	6		M5				
105	80183306016	SCREW,MACHINE	1		M6X16				
106	90302040601	WASHER,SPRING	1		6				
117	82400000387	CATCH	1						
121	82400000386	HINGE	2						

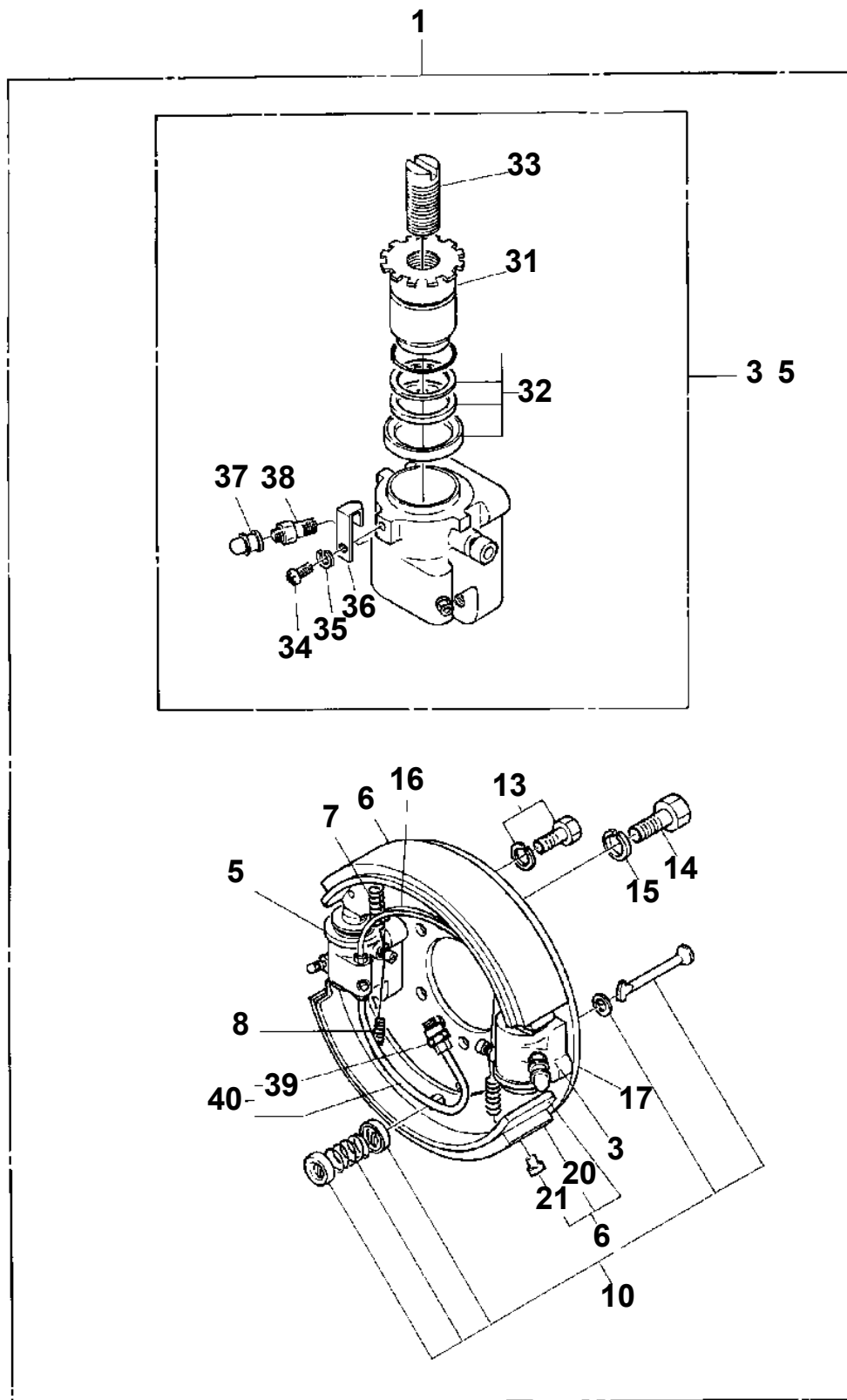
# TR-250M-4-00110 4 BOOM + JIB(SU),2M2D

Pos No.	Parts No	Parts Name	Qty	Unit	Technical Data	Serial No (Start)	Serial No (End)	Remarks
93	80730060018	PIN	2		6X18			
94	91001214500	O-RING	1		1A G145			
95	91001212000	O-RING	1		1A G120			
100	36080410000	DRIVING UNIT,SWING	1					

TR-250M-4-00110 4 BOOM + JIB(SU),2M2D  
PD1200022-01 PIPING,SWING



TR-250M-4-00110 4 BOOM + JIB(SU),2M2D  
PF1030014-02 CLUTCH,WINCH

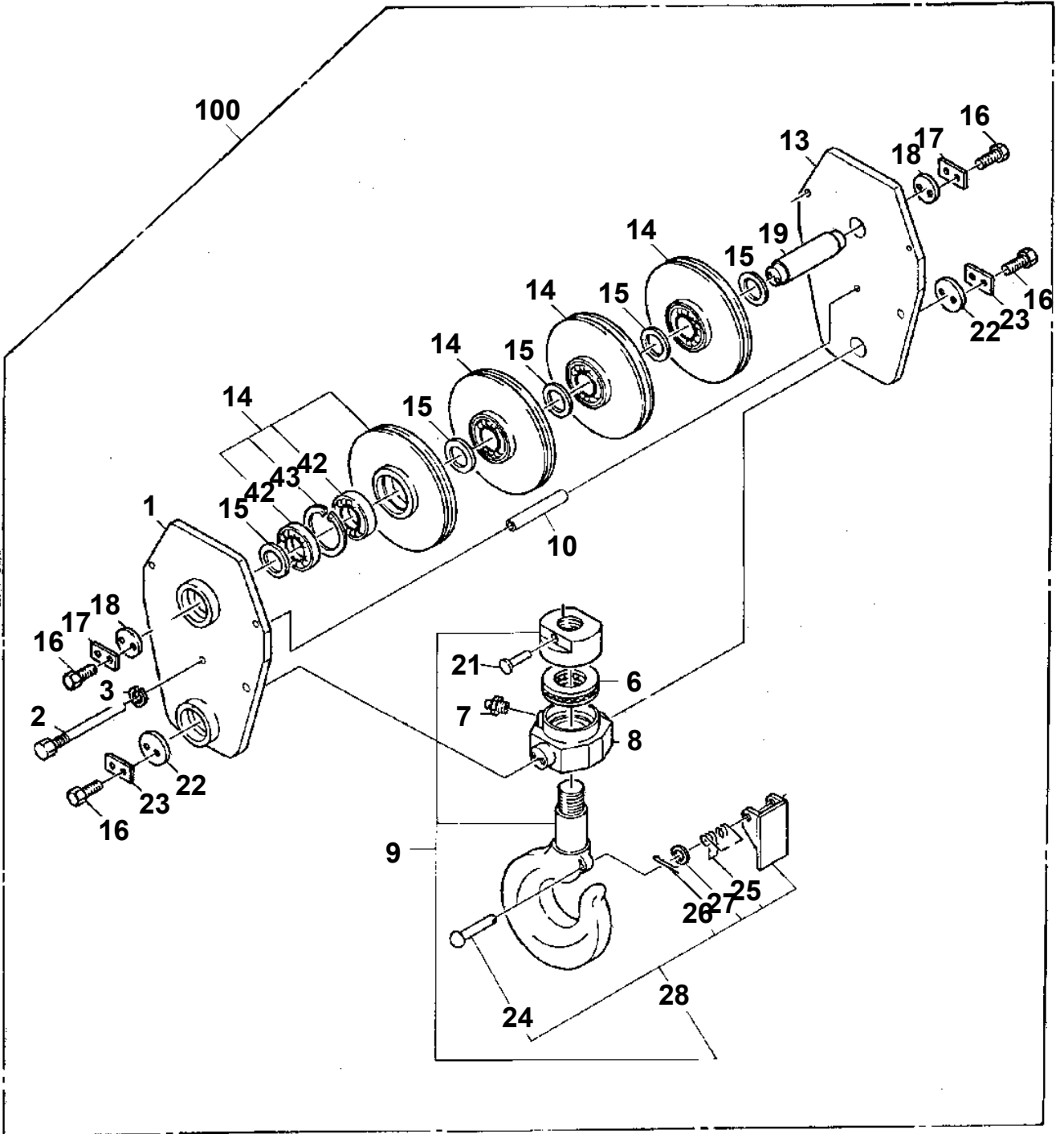


TR-250M-4-00110 4 BOOM + JIB(SU),2M2D

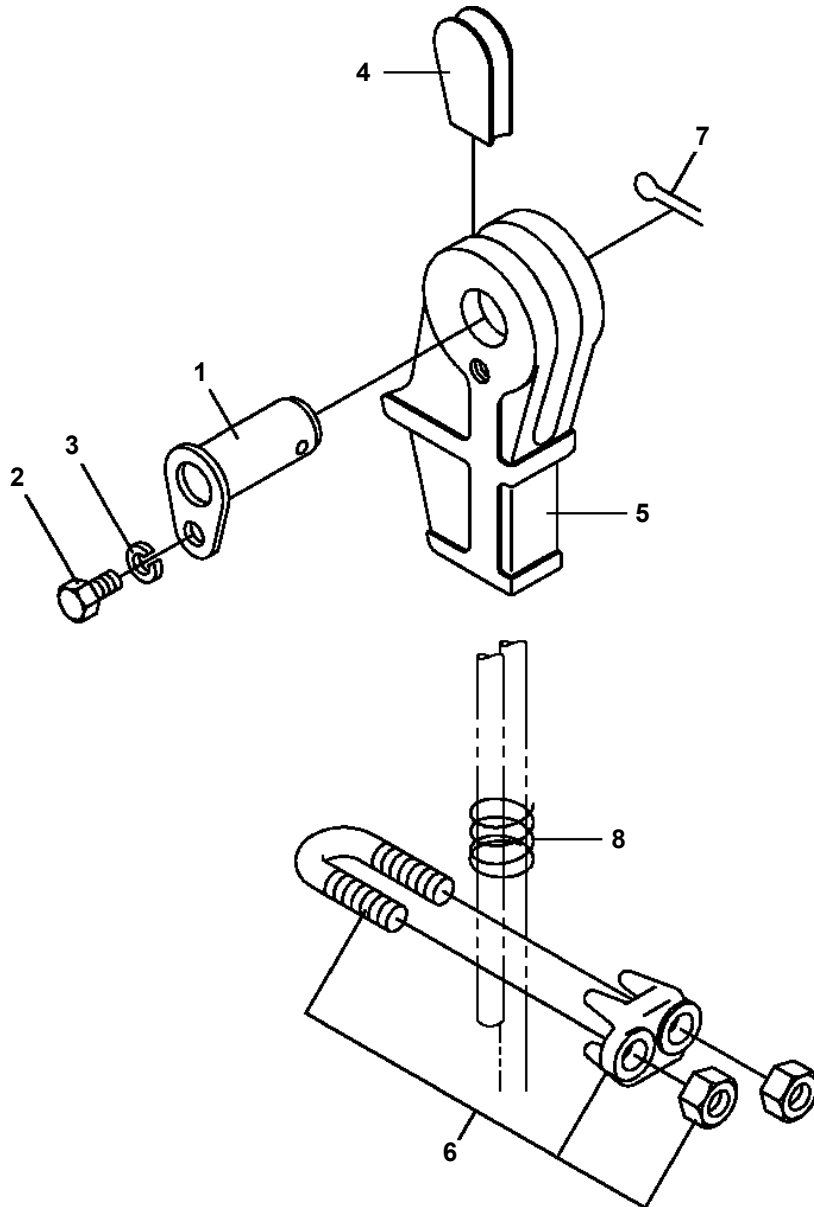
PF1050170-00 HOOK (MAIN)

Assembly Name HOOK (MAIN)

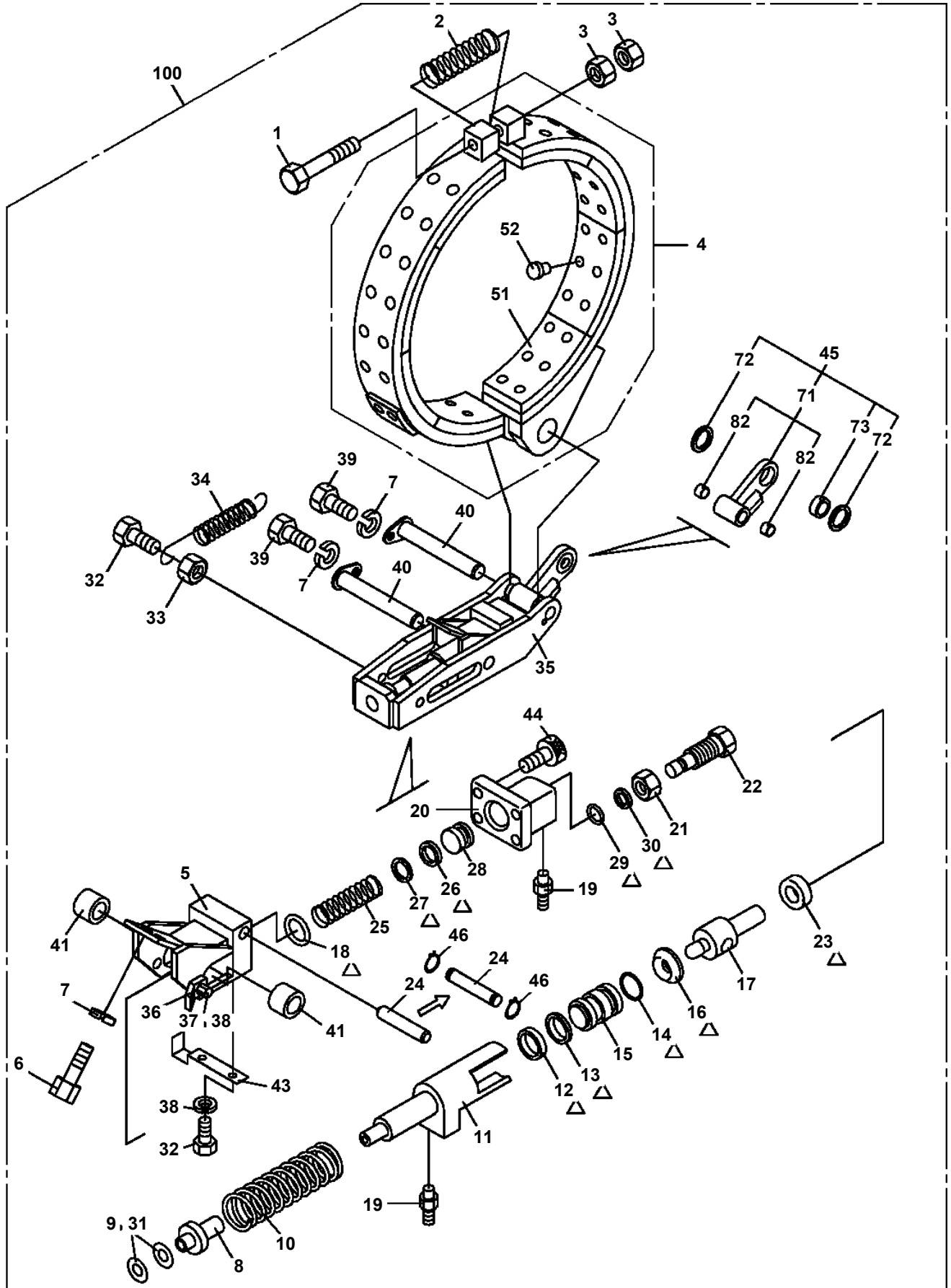
PF105-0170-00



TR-250M-4-00110 4 BOOM + JIB(SU),2M2D  
PF1090003-01 SOCKET,ROPE (SEIZING )

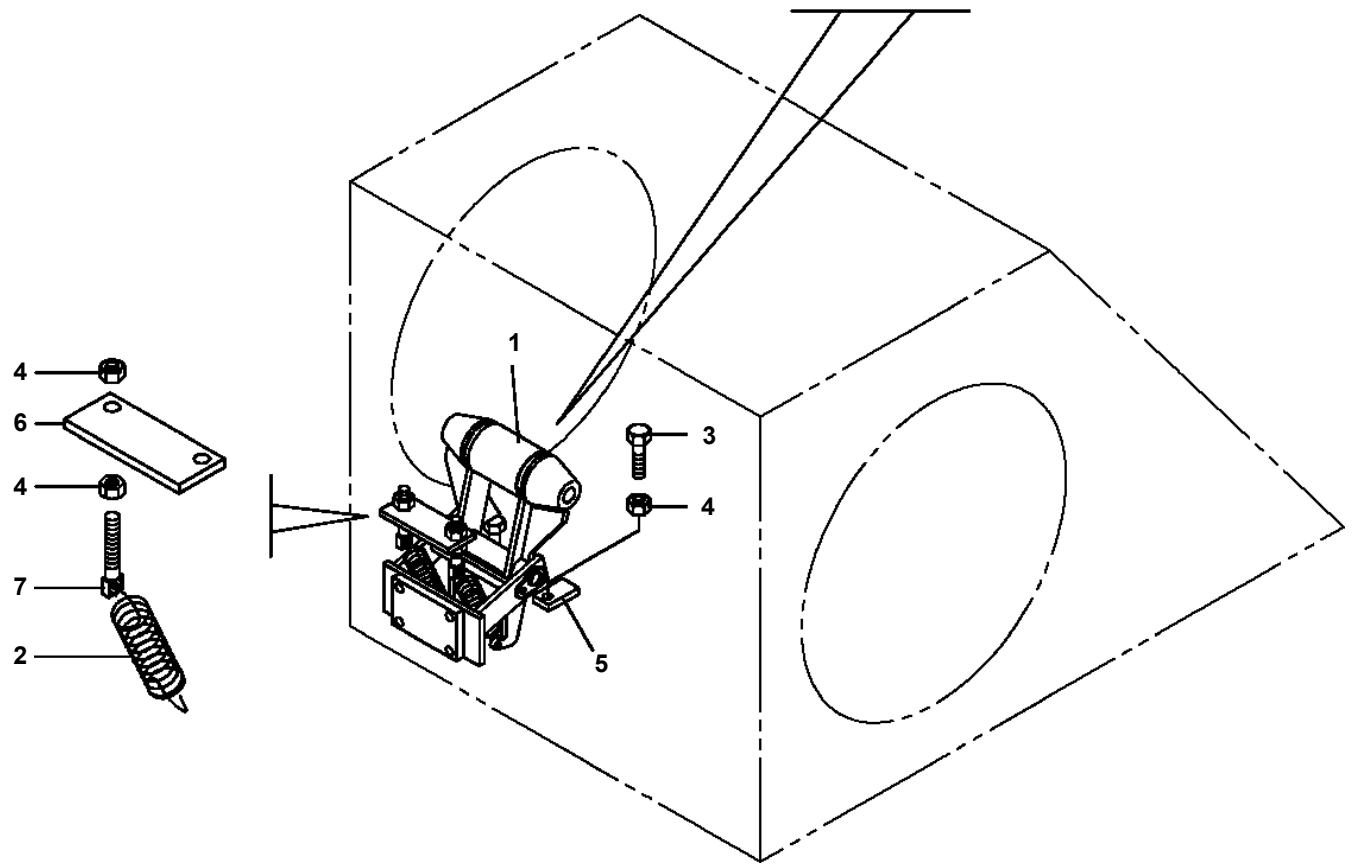
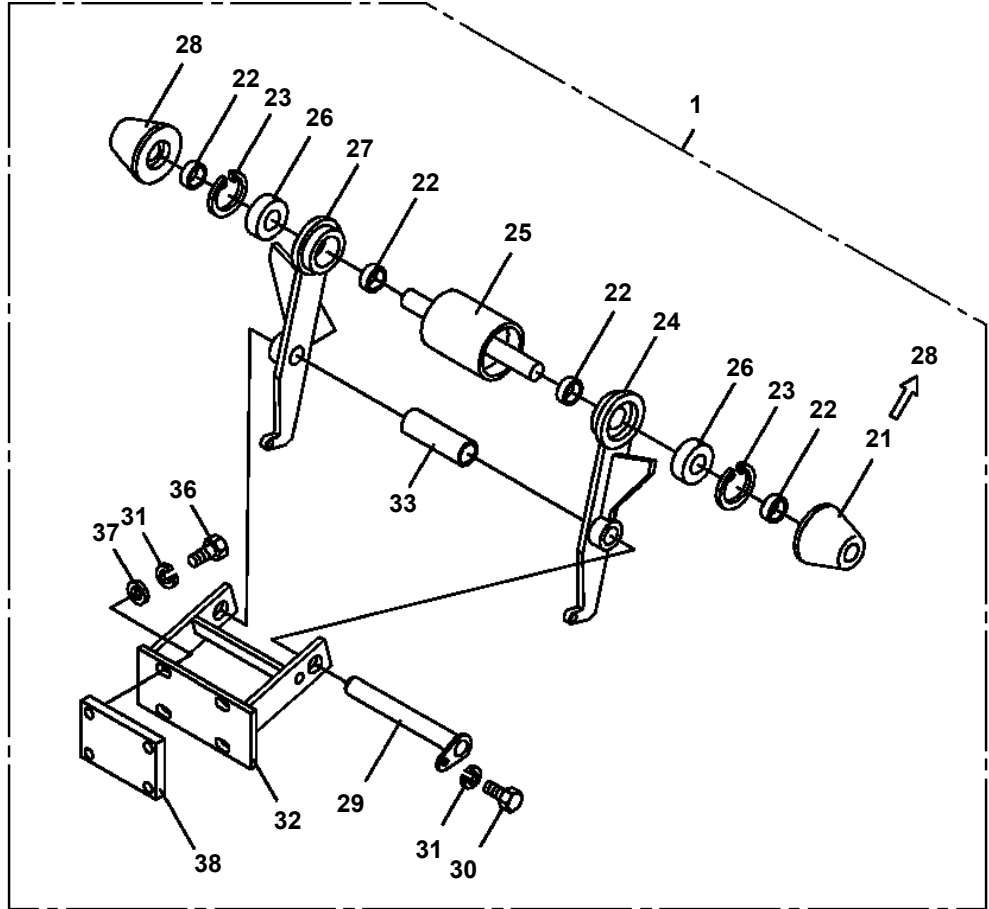


**TR-250M-4-00110 4 BOOM + JIB(SU),2M2D  
PF1120005-04 BAND,WINCH BRAKE (MAIN)**

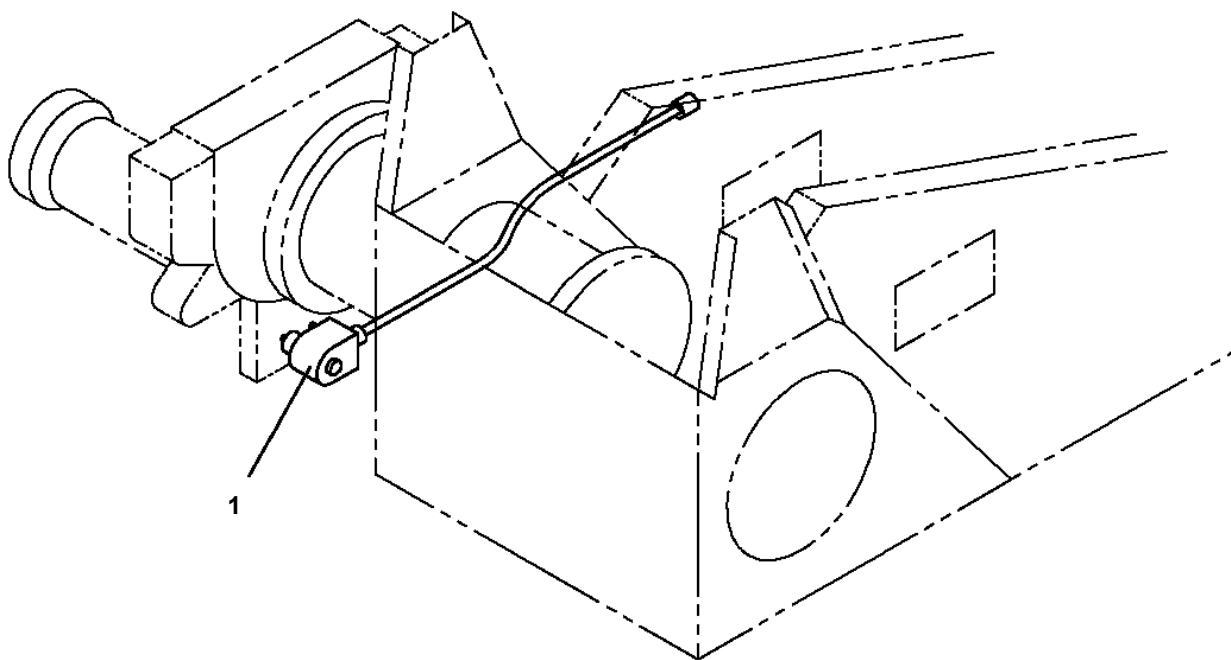
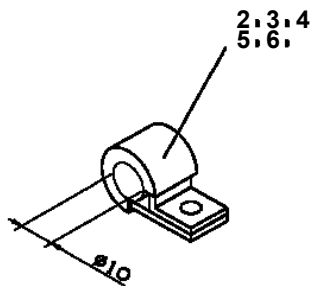


Δ:PACKING SET KEY NO.90 (KEY NO.12,13,14,16,18,23,26,27,29,30)

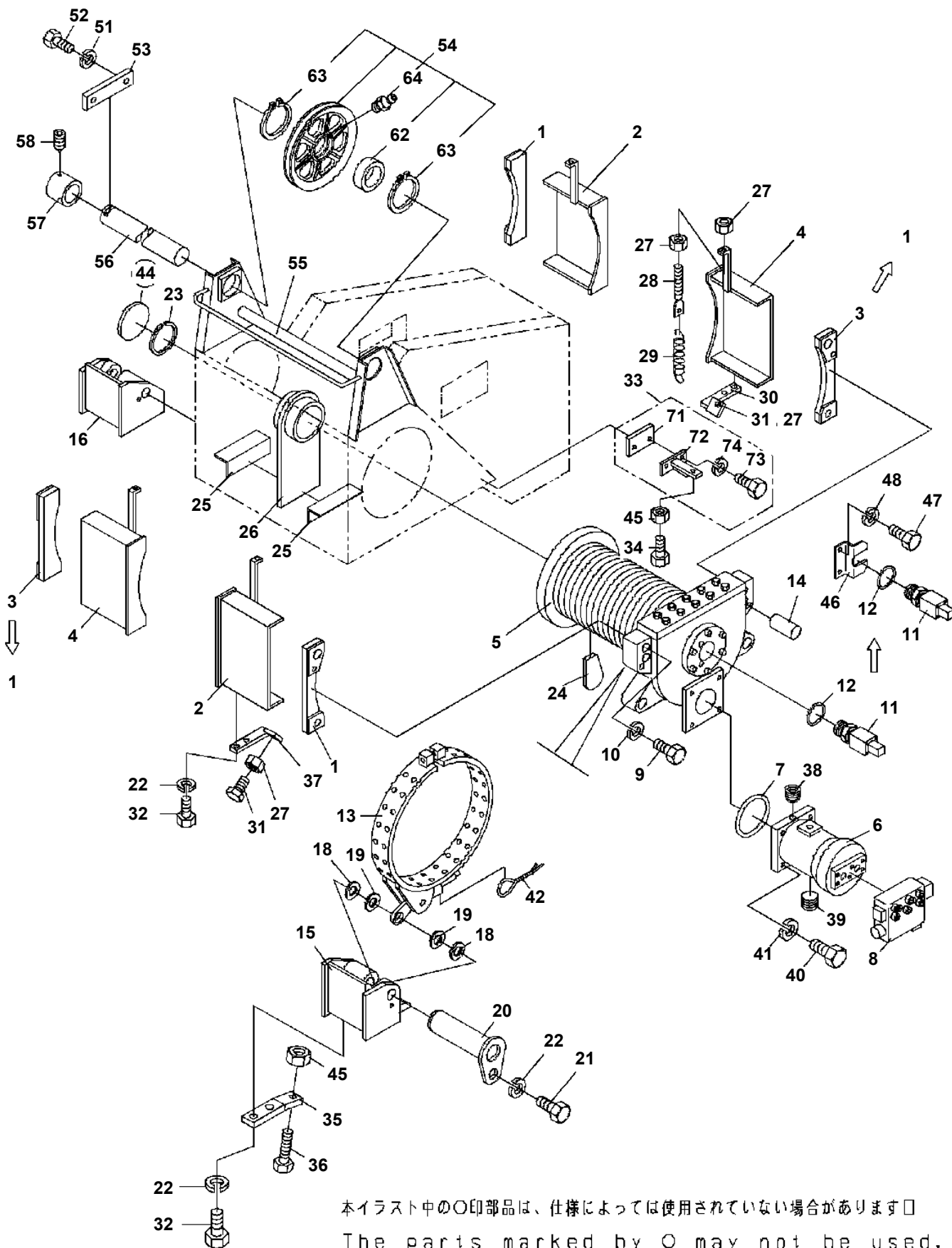
TR-250M-4-00110 4 BOOM + JIB(SU),2M2D  
 PF1180021-00 DETECTOR,DISORDERLY WIND (AUX.)



TR-250M-4-00110 4 BOOM + JIB(SU),2M2D  
PF1250012-00 DETECTOR,DRUM ROTATION (AUX.)



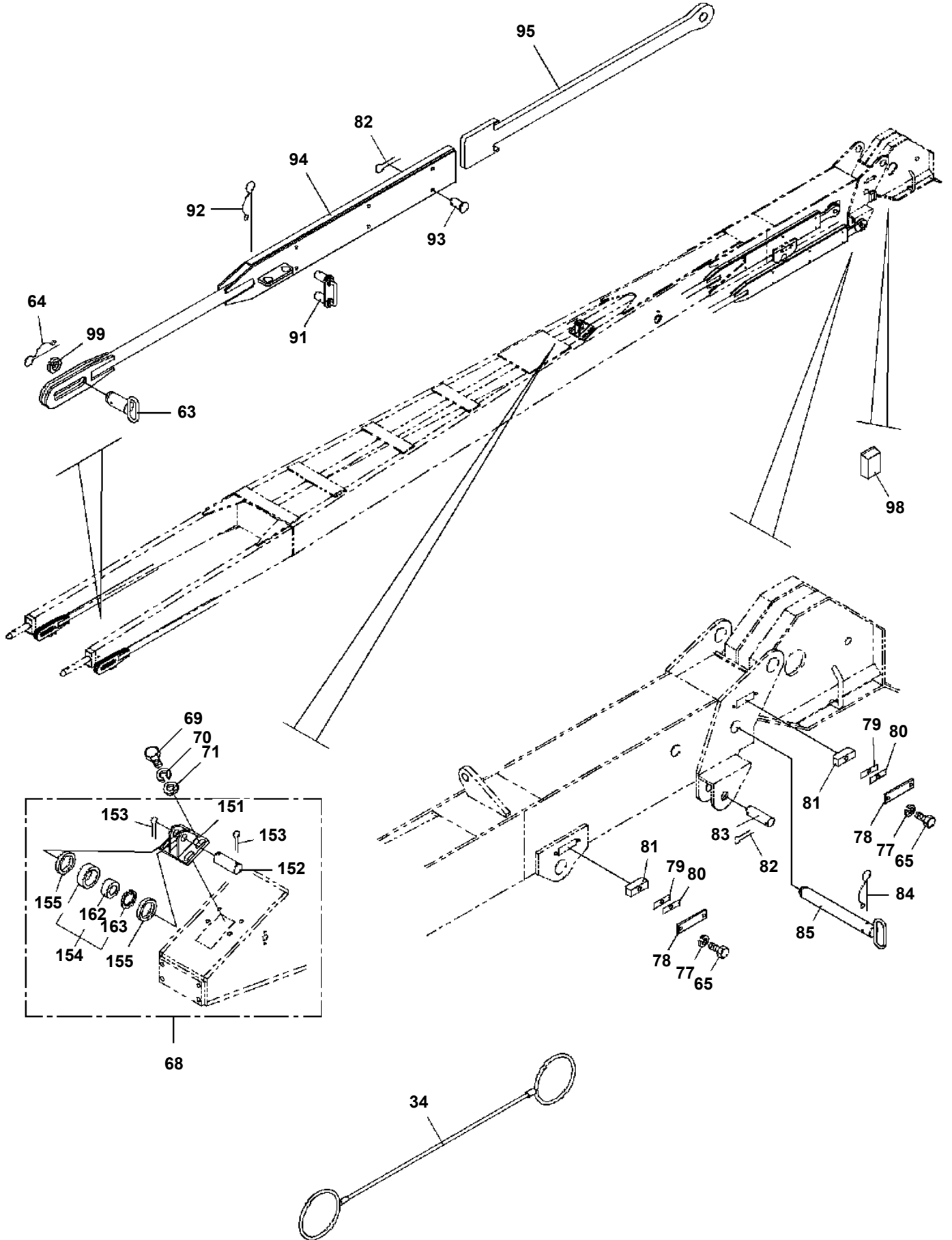
**TR-250M-4-00110 4 BOOM + JIB(SU),2M2D  
PF1400051-01 MOUNT,WINCH (MAIN)**



本イラスト中の○印部品は、仕様によっては使用されていない場合があります○

The parts marked by ○ may not be used, depending on machine specifications.

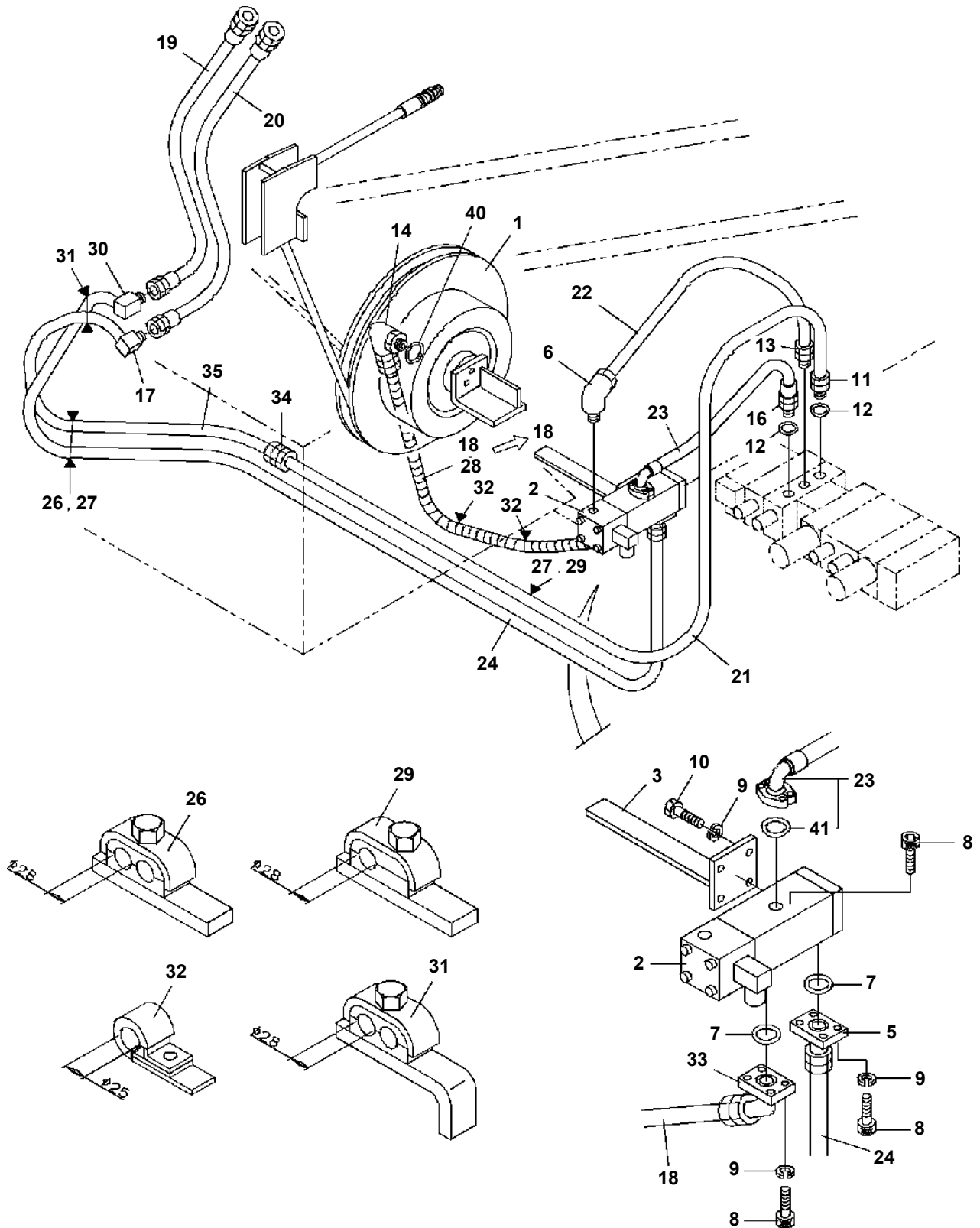
**TR-250M-4-00110 4 BOOM + JIB(SU),2M2D  
PG1040129-01 JIB (SIDE UP JIB)**



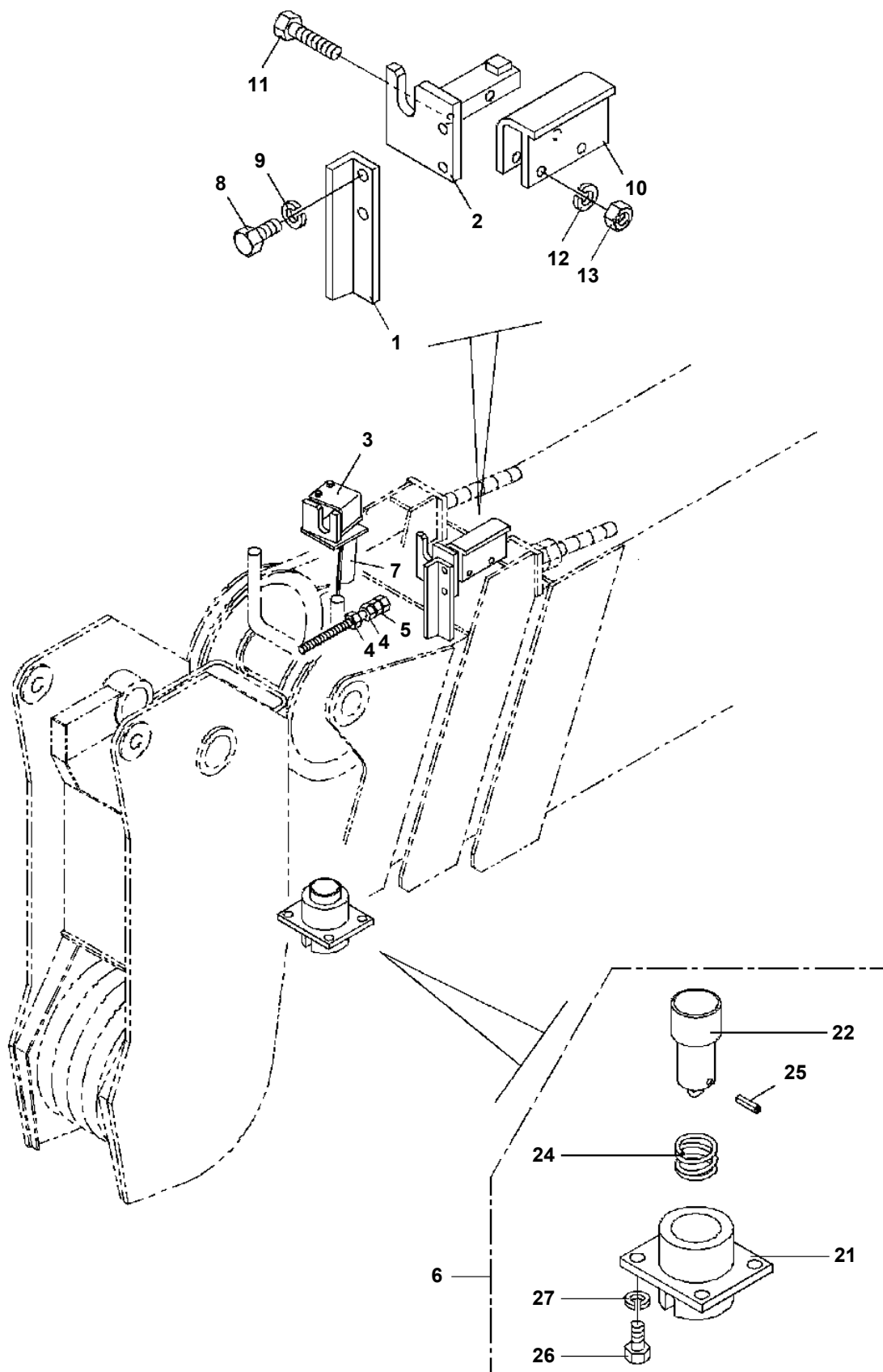
# TR-250M-4-00110 4 BOOM + JIB(SU),2M2D

Pos No.	Parts No	Parts Name	Qty	Unit	Technical Data	Serial No (Start)	Serial No (End)	Remarks	Pages
1	36670545010	REEL,HOSE	1				517674		
	36670545011	REEL,HOSE	1			517675			
2	80515006007	BEARING,BALL	1						
3	80601110350	RING,RITAINING	1		S35				
4	16246595020	RING ASSY (RL)	2						
6	80515006008	BEARING,BALL	1						
7	90201200600	NUT	6		M6				
8	90302040601	WASHER,SPRING	6		6				
9	36670545020	PIN	1				517674		
	36670545021	PIN	1			517675			
10	16246574000	RING,FELT	1						
11	16246579000	BOLT	4				FB1028		
	90102208016	BOLT	4		M8X16	FB1029			
12	90302040801	WASHER,SPRING	4		8				
13	16246580000	WIRE	2		1.2X120		FB1028		
14	36670545030	SPRING	1						
15	36670124001	CASE	1						
16	16246577000	PLATE	1						
17	36670545040	PLATE	1						
18	16246581000	RUBBER	1						
19	80316030060	PLUG	1		PT3/8		517674		
20	36670545050	SPACER	1				517674		
	36670545051	SPACER	1			517675			
21	36670545060	SEAL,OIL	1						
22	90710005080	SCREW,SET	1		M5X8				
23	91001203000	O-RING	1		1A G30				
24	36670545070	SEAL,OIL	1						
25	80602110700	RING,RITAINING	1		R70				
26	36671410050	RING,RETAINING	1						
50	36670540001	REEL,HOSE	1						
60	37002405350	HOSE	1		L=8500				
70	34420102000	REEL,HOSE	1						

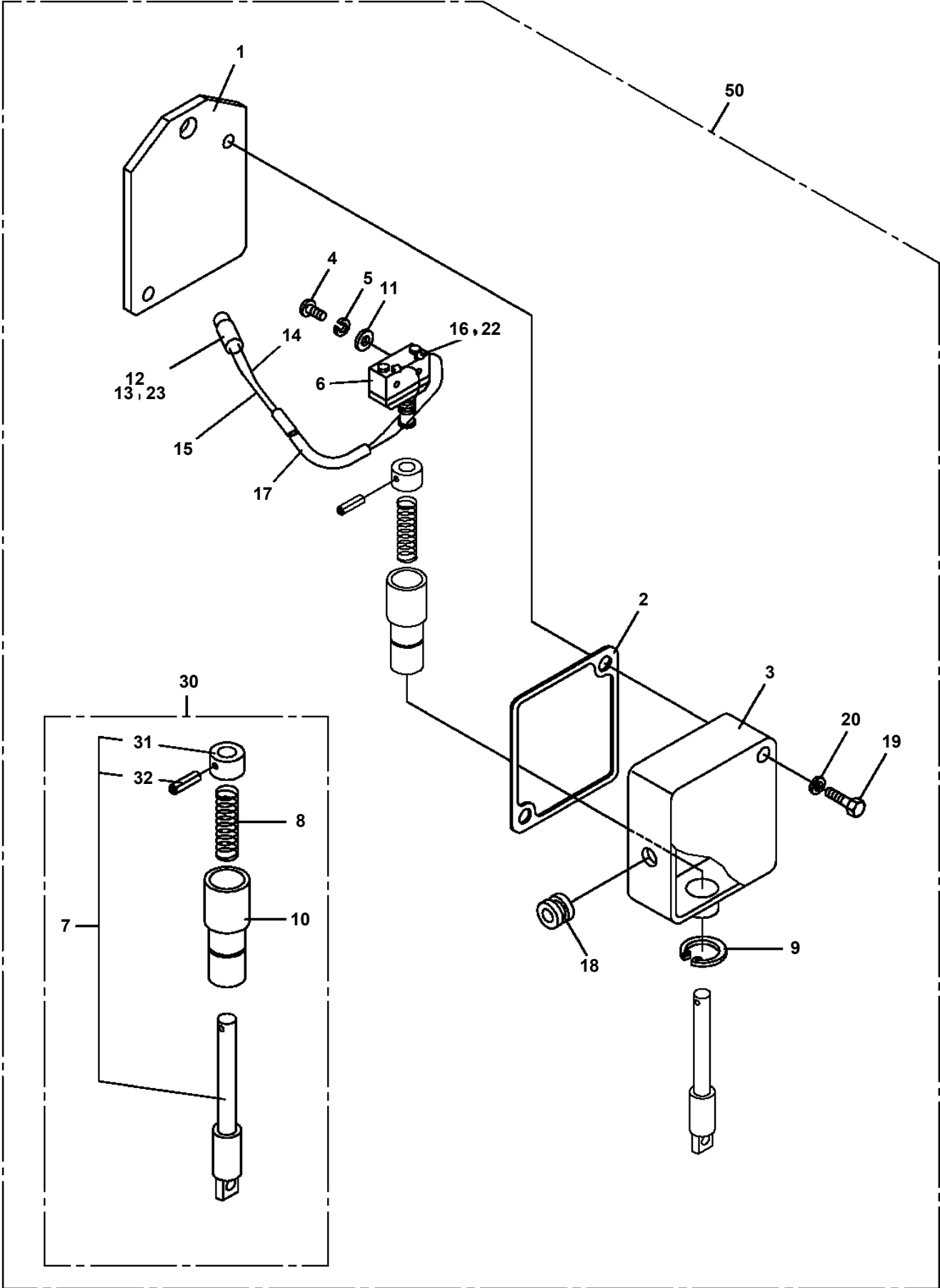
**TR-250M-4-00110 4 BOOM + JIB(SU),2M2D  
PG1200029-02 PIPING,TELESCOPING**



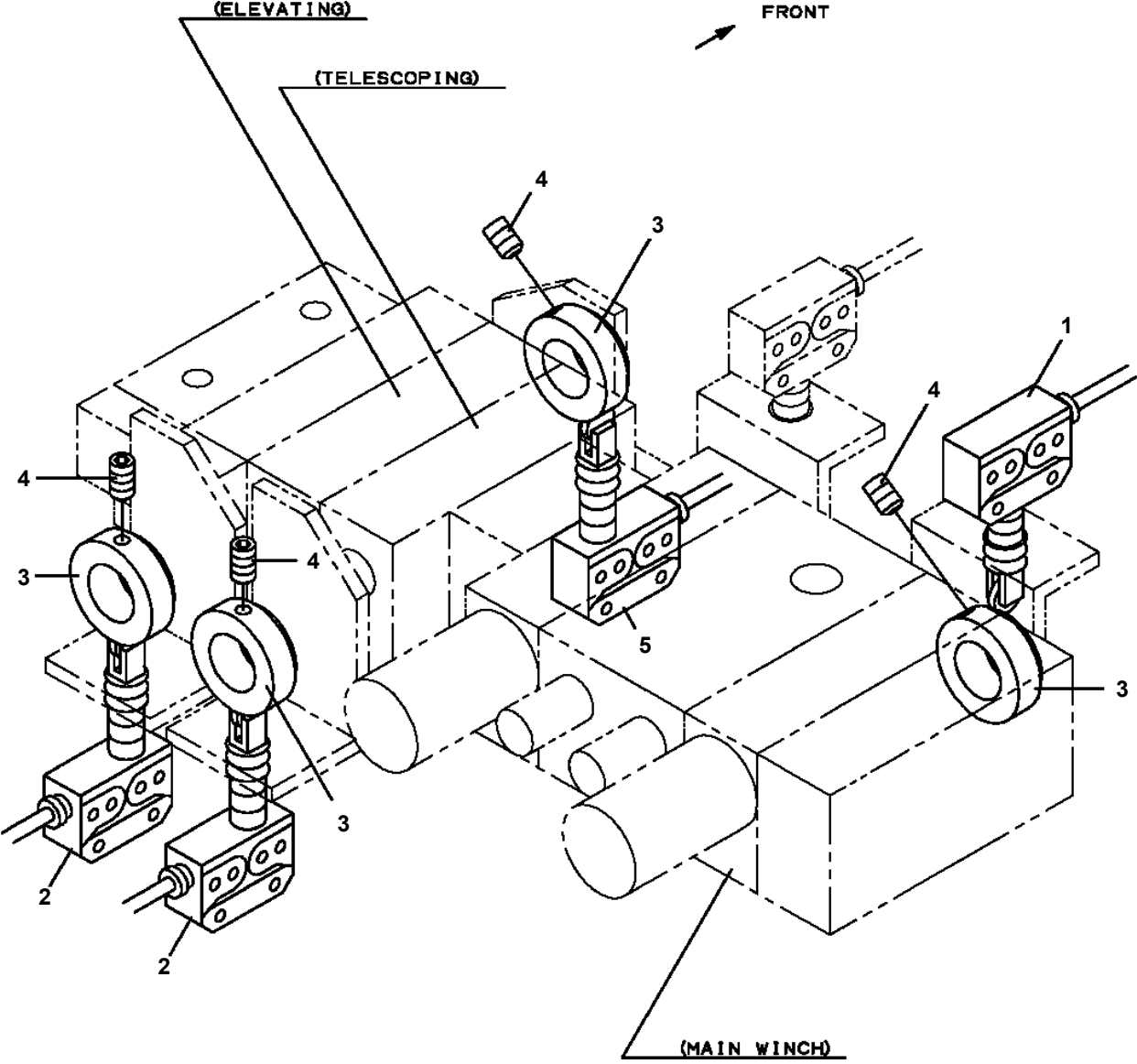
**TR-250M-4-00110 4 BOOM + JIB(SU),2M2D**  
**PG1360096-00 WIRE GUIDE (OPTION)**



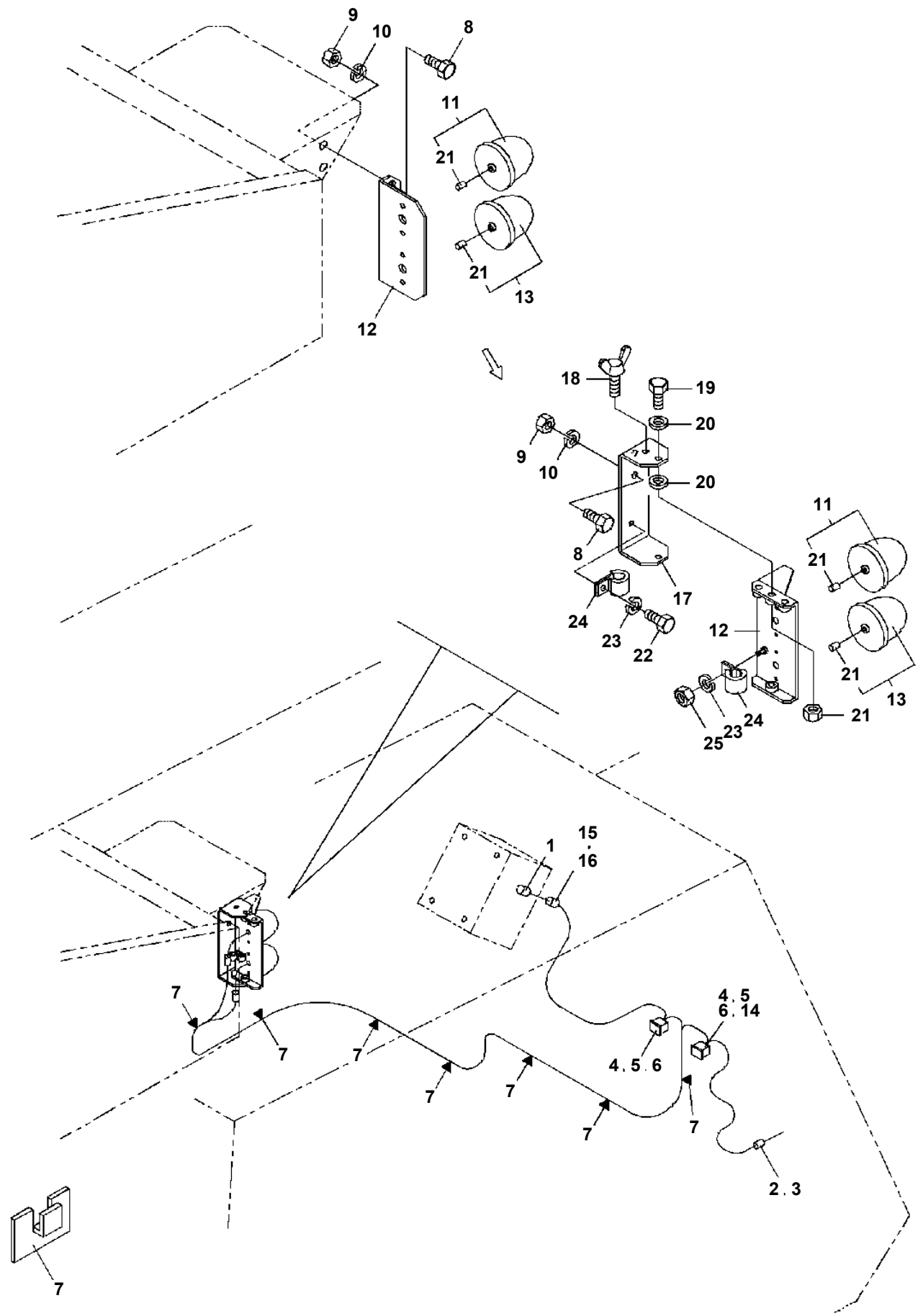
**TR-250M-4-00110 4 BOOM + JIB(SU),2M2D  
PH1070005-01 SWITCH,OVER WIND DETECTOR (BOOM)**



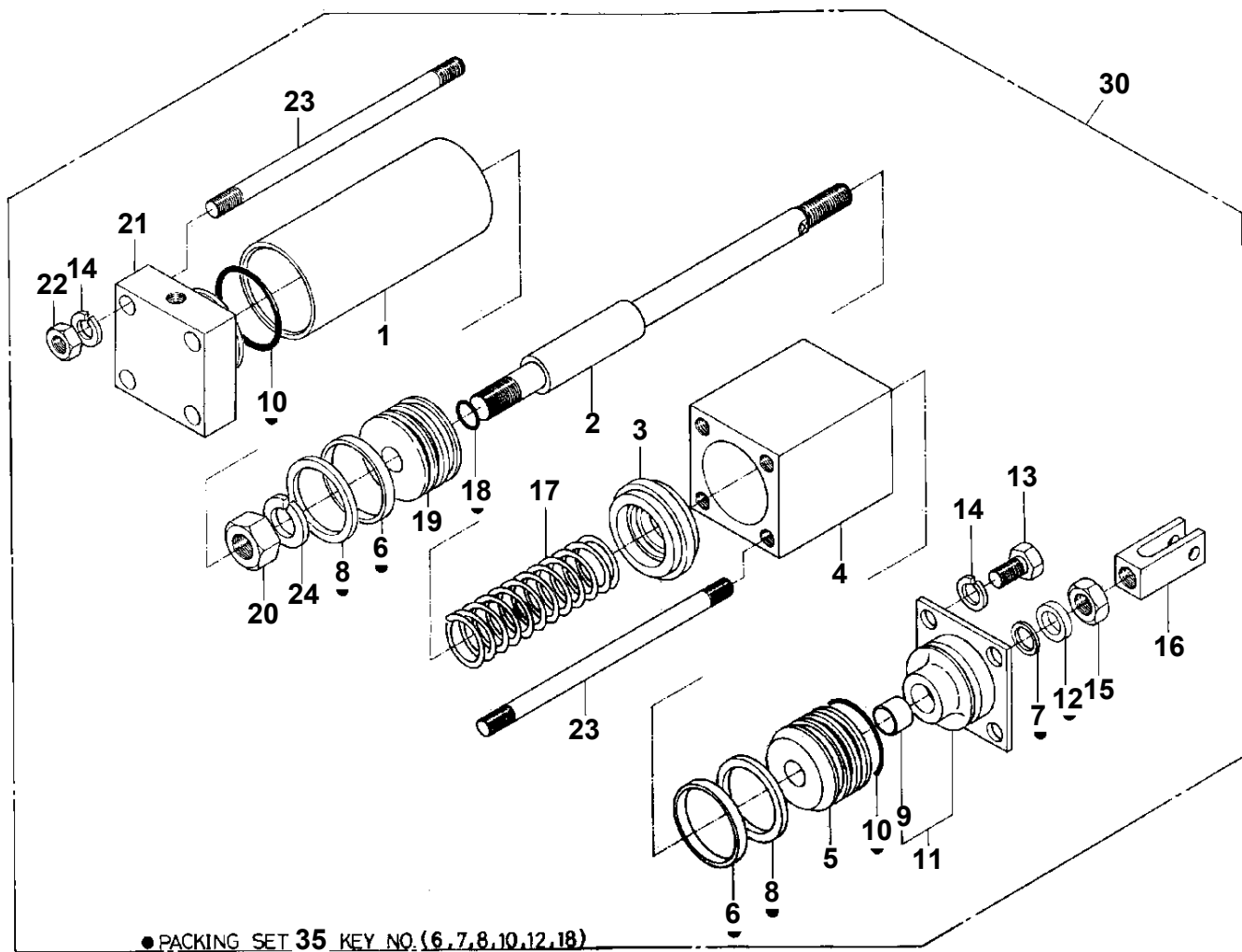
**TR-250M-4-00110 4 BOOM + JIB(SU),2M2D  
PH1170034-00 DETECTOR,CONTROL VALVE (MAIN)**



TR-250M-4-00110 4 BOOM + JIB(SU),2M2D  
PH1330010-03 LAMP,AML SIGNAL (OPTION)

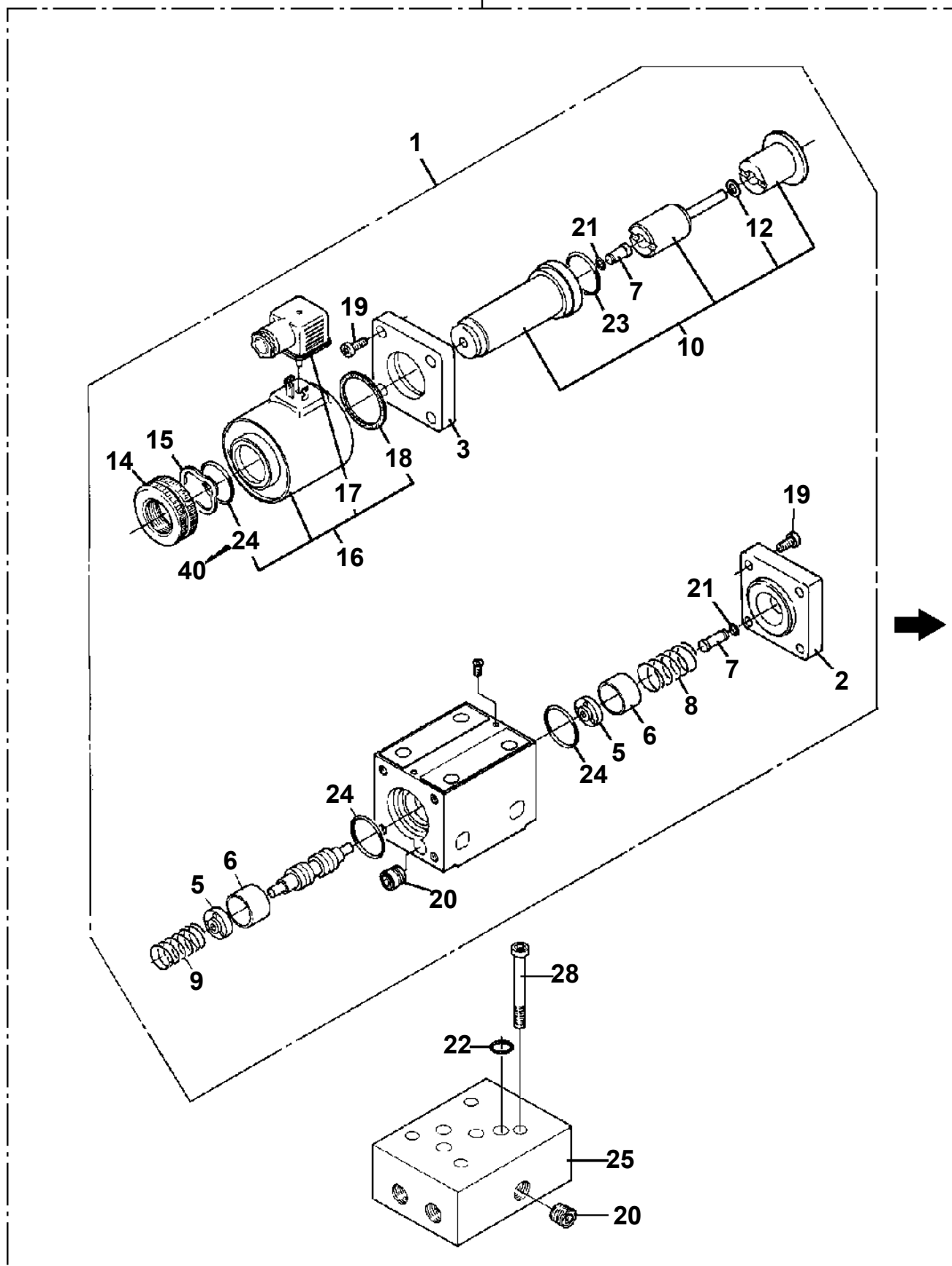


TR-250M-4-00110 4 BOOM + JIB(SU),2M2D  
PI1040002-02 CYLINDER,AIR



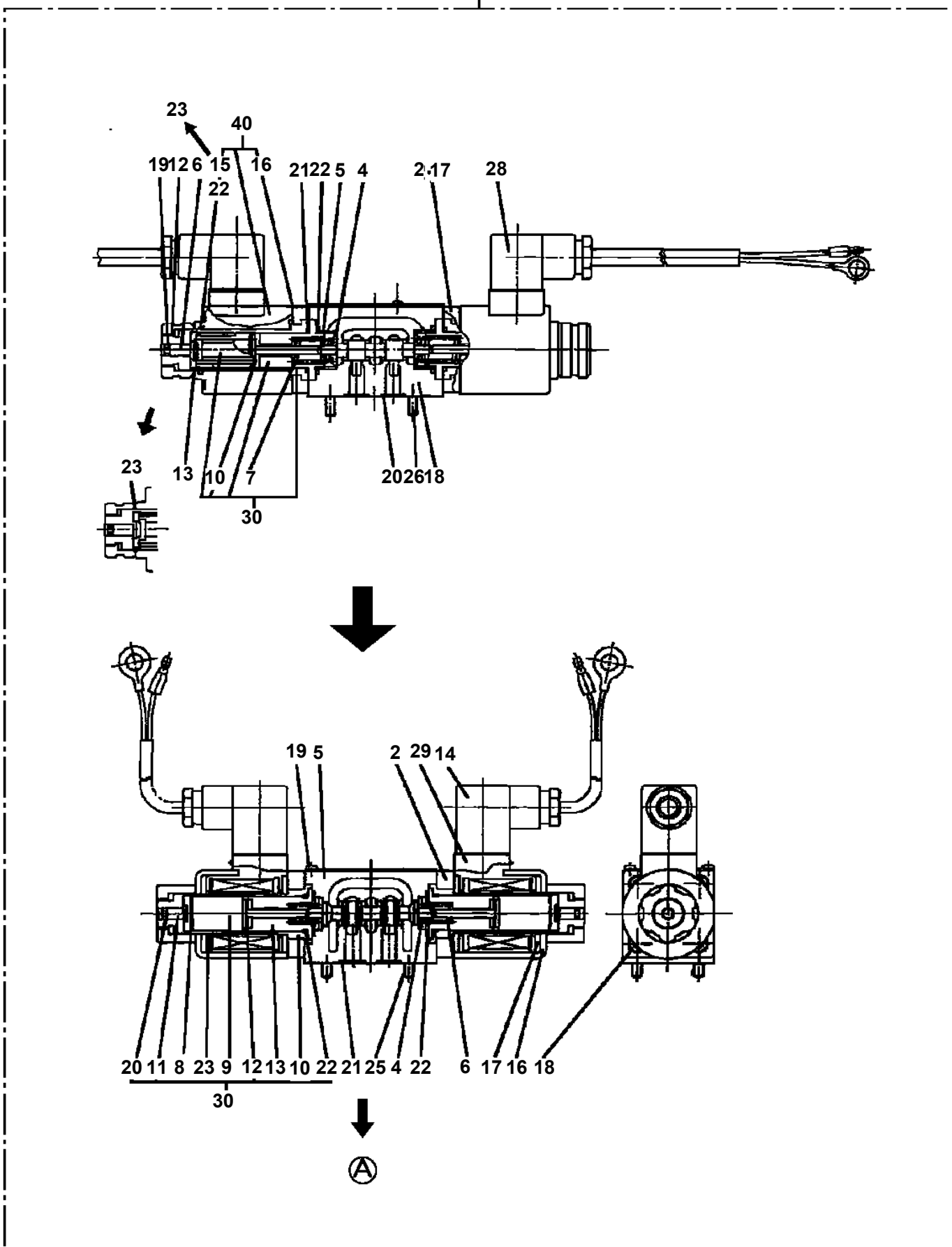
TR-250M-4-00110 4 BOOM + JIB(SU),2M2D  
PI1120021-04 VALVE,SOLENOID

100



TR-250M-4-00110 4 BOOM + JIB(SU),2M2D  
PI1120070-05 VALVE,SOLENOID

100



**TR-250M-4-00110 4 BOOM + JIB(SU),2M2D**

Pos No.	Parts No	Parts Name	Qty	Unit	Technical Data	Serial No (Start)	Serial No (End)	Remarks
1	36642265050	SPOOL ASSY (WITH SEAL)	1					
3	36642265010	PISTON ASSY	1					
16	36642265020	PLUNGER ASSY	1					
30	36642265040	BOX ASSY (TERMINAL)	1					
40	36644595080	FILTER	1					
50	36642260000	VALVE,SOLENOID	1					

# TR-250M-4-00110 4 BOOM + JIB(SU),2M2D

Pos No.	Parts No	Parts Name	Qty	Unit	Technical Data	Serial No (Start)	Serial No (End)	Remarks	Pages
2	80316090040	PLUG SOCKET	4		R1/4				
4	36621305020	SPRING	4						
10	36620500000	VALVE,CHECK	1						

## TR-250M-4-00110 4 BOOM + JIB(SU),2M2D

Pos No.	Parts No	Parts Name	Qty	Unit	Technical Data	Serial No (Start)	Serial No (End)	Remarks
2	36620175020	COVER	1					
4	36620175030	SPRING	2					
5	36620175040	SEAT,SPRING	1					
6	12429108000	RING,STOP	1					
8	36620175060	SPRING	1					
9	91002801800	O-RING	3		1B P18			
10	54155003000	PISTON	1					
11	91001102400	O-RING	1		1A P24			
12	91411002400	RING,BACKUP	2					
13	91002903500	O-RING	1		1B G35			
14	54155002000	CAP	1					
	36620176400	CAP	1			517956	517955	
15	90131710028	BOLT,HEXAGON SOCKET	6		M10X28			
16	90302041001	WASHER,SPRING	6		10			
17	91002903000	O-RING	1		1B G30			
19	80302090101	FITTING	1		KCO10-020N			
20	91002801100	O-RING	1		1B P11			
21	80316090060	PLUG	1		KKT PT3/8			
22	80302090241	FITTING	2		KCO18-040N			
23	36620175070	SEAT,SPRING	1					
30	36620170001	VALVE,CHECK	1					

**TR-250M-4-00110 4 BOOM + JIB(SU),2M2D**

Pos No.	Parts No	Parts Name	Qty	Unit	Technical Data	Serial No (Start)	Serial No (End)	Remark
3	91001101100	O-RING	1		1A P11			
4	36601125010	RING,BACKUP	1		P11			
6	91001101800	O-RING	1		1A P18			
13	91002801000	O-RING	2		1B P10			
20	36602780000	VALVE,COUNTERBALANCE	1					

CLICK HERE TO **DOWNLOAD** THE COMPLETE MANUAL

- Thank you very much for reading the preview of the manual.
- You can download the complete manual from: [www.heydownloads.com](http://www.heydownloads.com) by clicking the link below



- Please note: If there is no response to CLICKING the link, please download this PDF first and then click on it.

CLICK HERE TO **DOWNLOAD** THE COMPLETE MANUAL

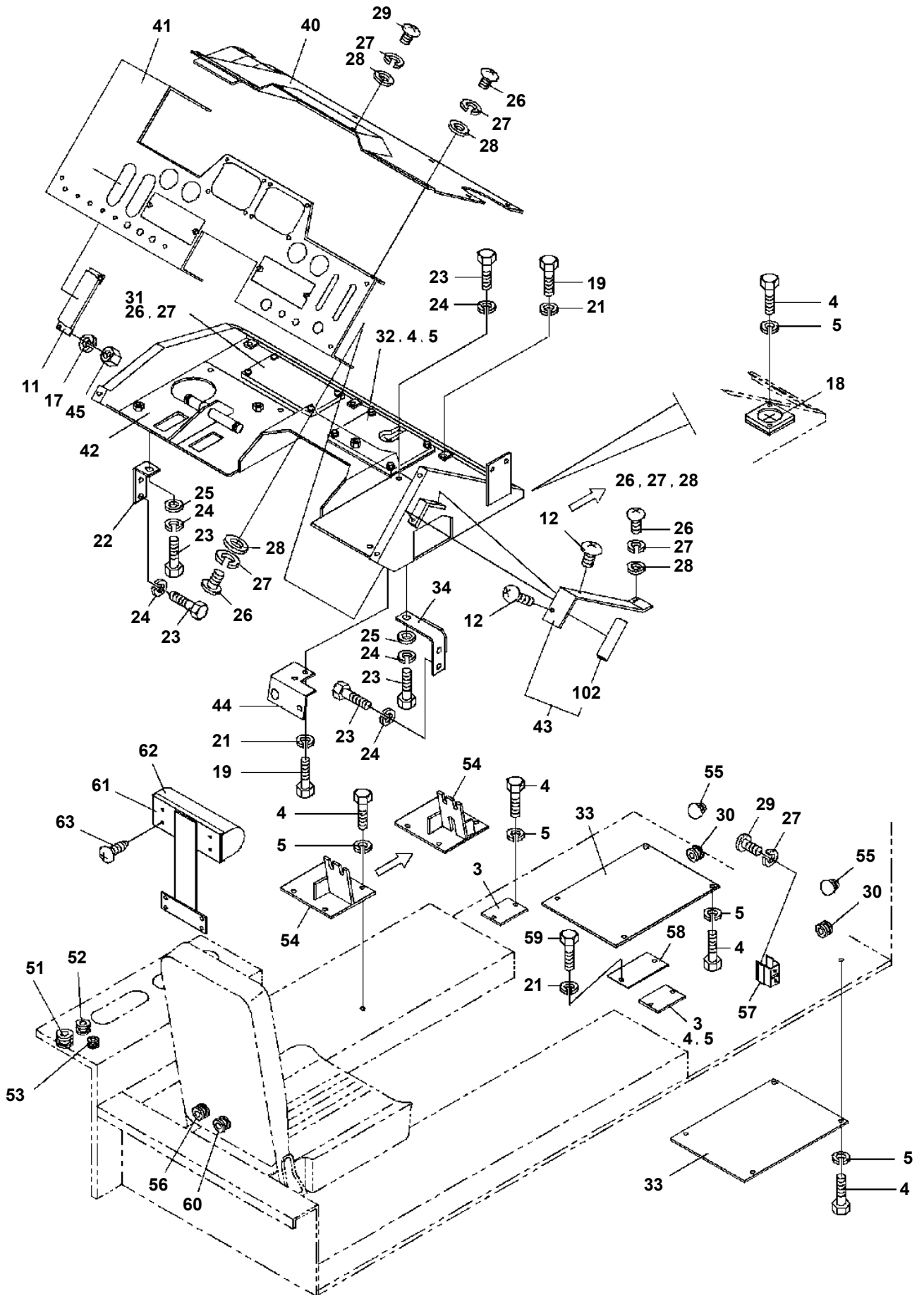
# TR-250M-4-00110 4 BOOM + JIB(SU),2M2D

Pos No.	Parts No	Parts Name	Qty	Unit	Technical Data	Serial No (Start)	Serial No (End)	Remarks	Pa
2	91002801400	O-RING	2		1B P14				
3	36622950010	PLUG	1						
4	37001201120	SPRING	2						
7	91002800700	O-RING	3		1B P7				
8	36620030050	PLUG	1						
30	36623060000	VALVE,PILOT CHECK	1						

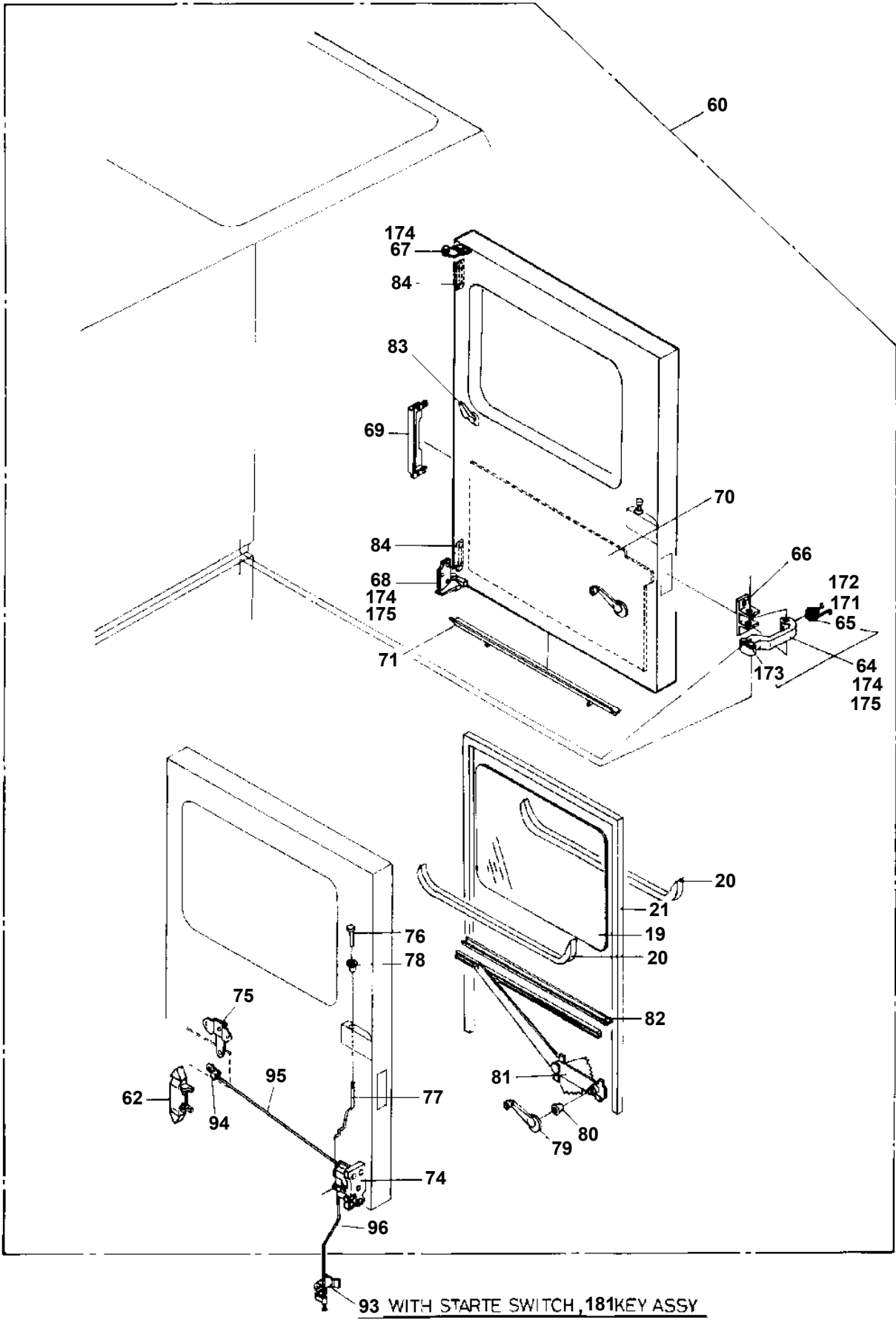
# TR-250M-4-00110 4 BOOM + JIB(SU),2M2D

Pos No.	Parts No	Parts Name	Qty	Unit	Technical Data	Serial No (Start)	Serial No (End)	Remarks	Page
1	36680850000	GAUGE,PRESSURE	1						

**TR-250M-4-00110 4 BOOM + JIB(SU),2M2D**  
**PK1120063-02 SWING TABLE**

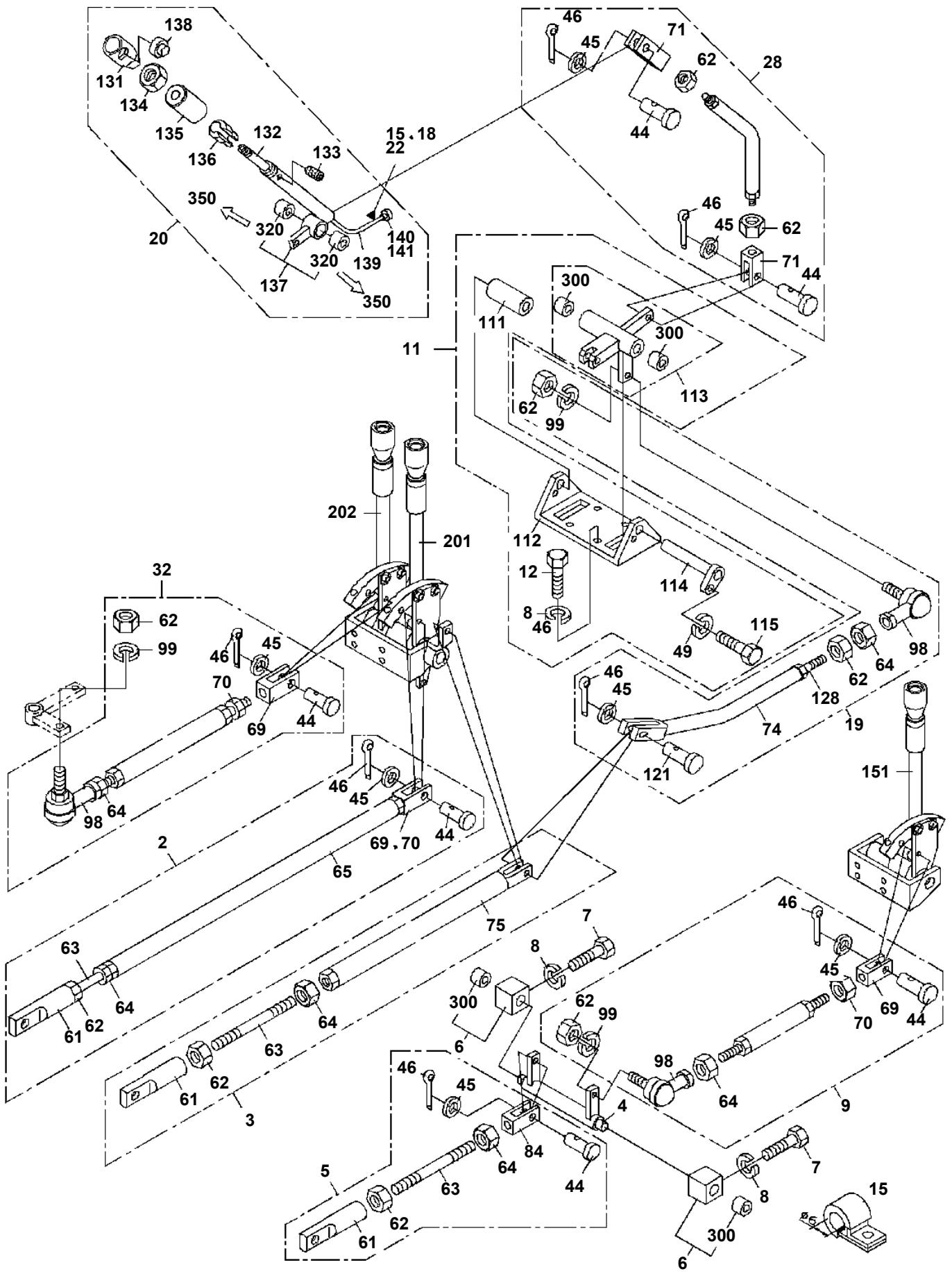


TR-250M-4-00110 4 BOOM + JIB(SU),2M2D  
PK1140035-03 CAB, OPERATOR



93 WITH STARTE SWITCH, 181KEY ASSY

TR-250M-4-00110 4 BOOM + JIB(SU),2M2D  
PL1010103-04 OPE.ASSY,CONT.VALVE (MAIN)



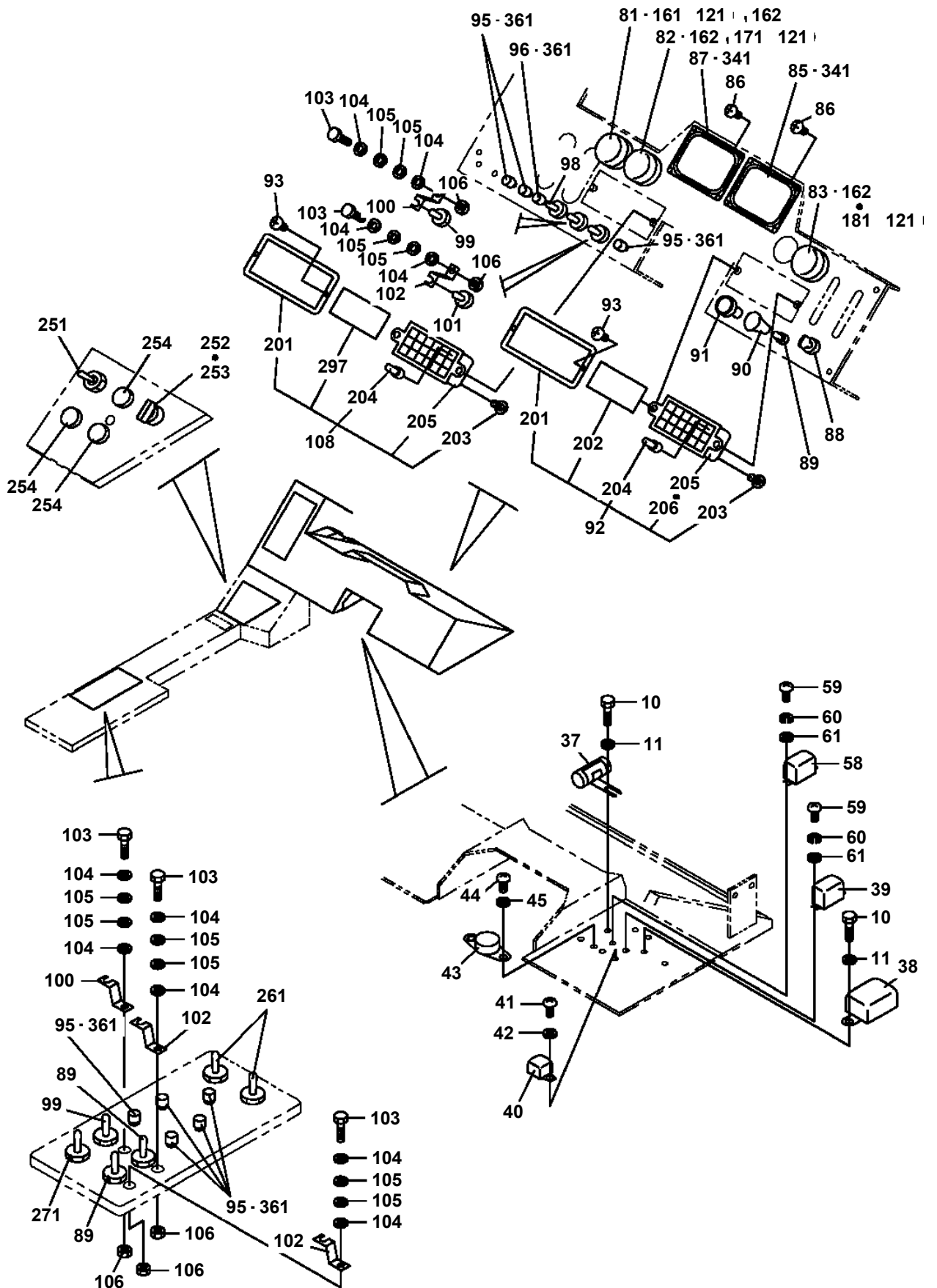
# TR-250M-4-00110 4 BOOM + JIB(SU),2M2D

Pos No.	Parts No	Parts Name	Qty	Unit	Technical Data	Serial No (Start)	Serial No (End)	Remarks	Pages
1	19234501000	END	1						
4	37000515600	PLATE	2		T=1.0				
6	34320370500	LEVER	1						
7	90303101601	WASHER,PLAIN	1		16				
9	34320450700	LEVER ASSY	1						
10	80601110200	RING,RITAINING	1		S20				
12	37001703440	CABLE,CONTROL	1						
14	34320063200	ROD ASSY	1						
15	37000109680	PIN	1						
16	88200102060	END	1						
17	80136316012	PIN,SPLIT	1		1.6X12				
18	82100002006	CLAMP	3		WR10				
19	90101206012	BOLT	3		M6X12				
20	90302040601	WASHER,SPRING	3		6				
21	82400000205	GROMMET	1						
22	37000515590	PLATE	1		T=0.5				
23	34330093200	SPRING	1						
24	34320450100	STOPPER	1						
25	80613110060	RING,RETAINING	1						
31	80804016010	BEARING,PLAIN	2						
41	31320020020	KNOB (RED)	1						
42	34320062600	ROD	1						
43	90710006060	SCREW,SET	1		M6X6				
44	90266201200	NUT	1		M12				
45	33320001440	NUT	1						
	34320764700	NUT (RED)	1			518454	518453		
46	33320001450	SLEEVE	1						
47	34320450710	LEVER	1						
52	34320060400	END	2						
53	90201201000	NUT	2		M10				
54	37000105730	PIN	2						
55	90303070801	WASHER,PLAIN	2		8				
56	80136320016	PIN,SPLIT	2		2X16				
61	80801002015	BEARING,PLAIN	2						

# TR-250M-4-00110 4 BOOM + JIB(SU),2M2D

Pos No.	Parts No	Parts Name	Qty	Unit	Technical Data	Serial No (Start)	Serial No (End)	Remarks
8	36601025010	SPRING (RETURN)	1					
9	36601025021	PISTON ASSY	1					
25	36601025030	PLUNGER	1					
31	36600515010	VALVE KIT (REPAIR KIT)	1					
40	36601020001	VALVE,ACCELERATOR	1					

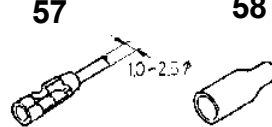
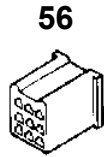
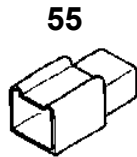
**TR-250M-4-00110 4 BOOM + JIB(SU),2M2D  
PN1010861-03 ELEC.ASSY (UPPER)**



# TR-250M-4-00110 4 BOOM + JIB(SU),2M2D

Pos No.	Parts No	Parts Name	Qty	Unit	Technical Data	Serial No (Start)	Serial No
5	34350857510	BOARD	1				
6	34350857520	CABLE ASSY (FLAT)	1				
7	34350857530	BOARD,CPU (WITHOUT P-ROM)	1				
13	(*****)	P-ROM	1				
15	34350857550	TRANSMITTER,MULTIPLEX DATA (UPPER)	1				
20	34350855000	TRANSMITTER,MULTI. DATA (UPPER)	1				

**TR-250M-4-00110 4 BOOM + JIB(SU),2M2D  
PN1400011-00 WIRING,MATERIALS**



**58**



**59**

Key No 41とNo 47  
のセット部品  
Key No 41 and No 47  
assembled

**60**

Key No 42とNo 48  
のセット部品  
Key No 42 and No 48  
assembled

**61**

Key No 41とNo 45  
のセット部品  
Key No 41 and No 45  
assembled

**62**

Key No 42とNo 46  
のセット部品  
Key No 42 and No 46  
assembled

**63**

Key No 41とNo 43  
のセット部品  
Key No 41 and No 43  
assembled

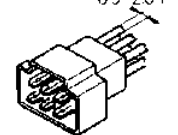
**64**

Key No 42とNo 44  
のセット部品  
Key No 42 and No 44  
assembled

**65**

Key No 38とNo 39  
のセット部品  
Key No 38 and No 39  
assembled

**66**



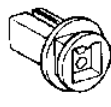
**67**



**68**



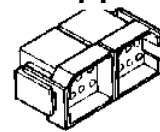
**69**



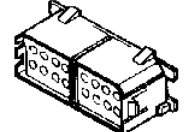
**70**



**71**



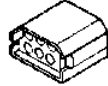
**72**



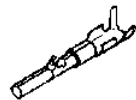
**73**



**74**



**75**



**76**



**77**



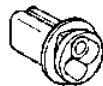
**78**



**79**



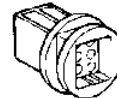
**80**



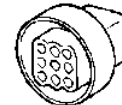
**81**



**82**



**83**



**84**



**85**



**86**



**87**



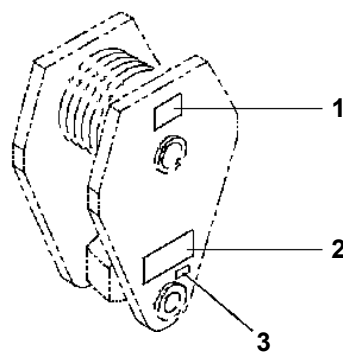
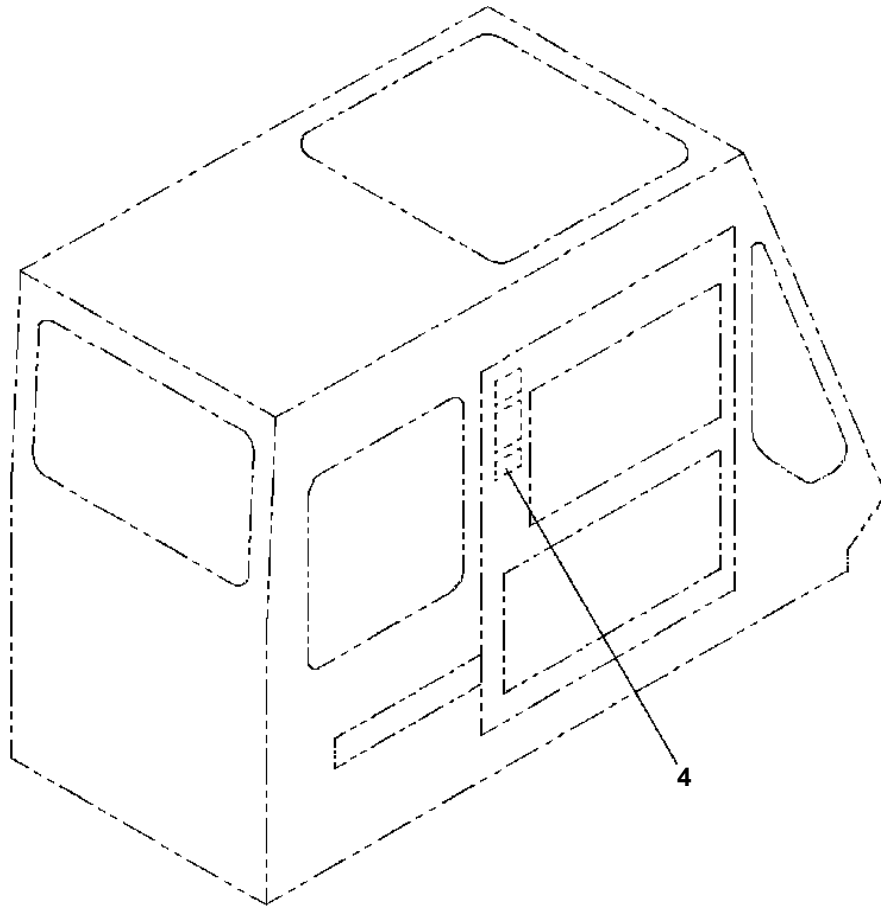
**88**



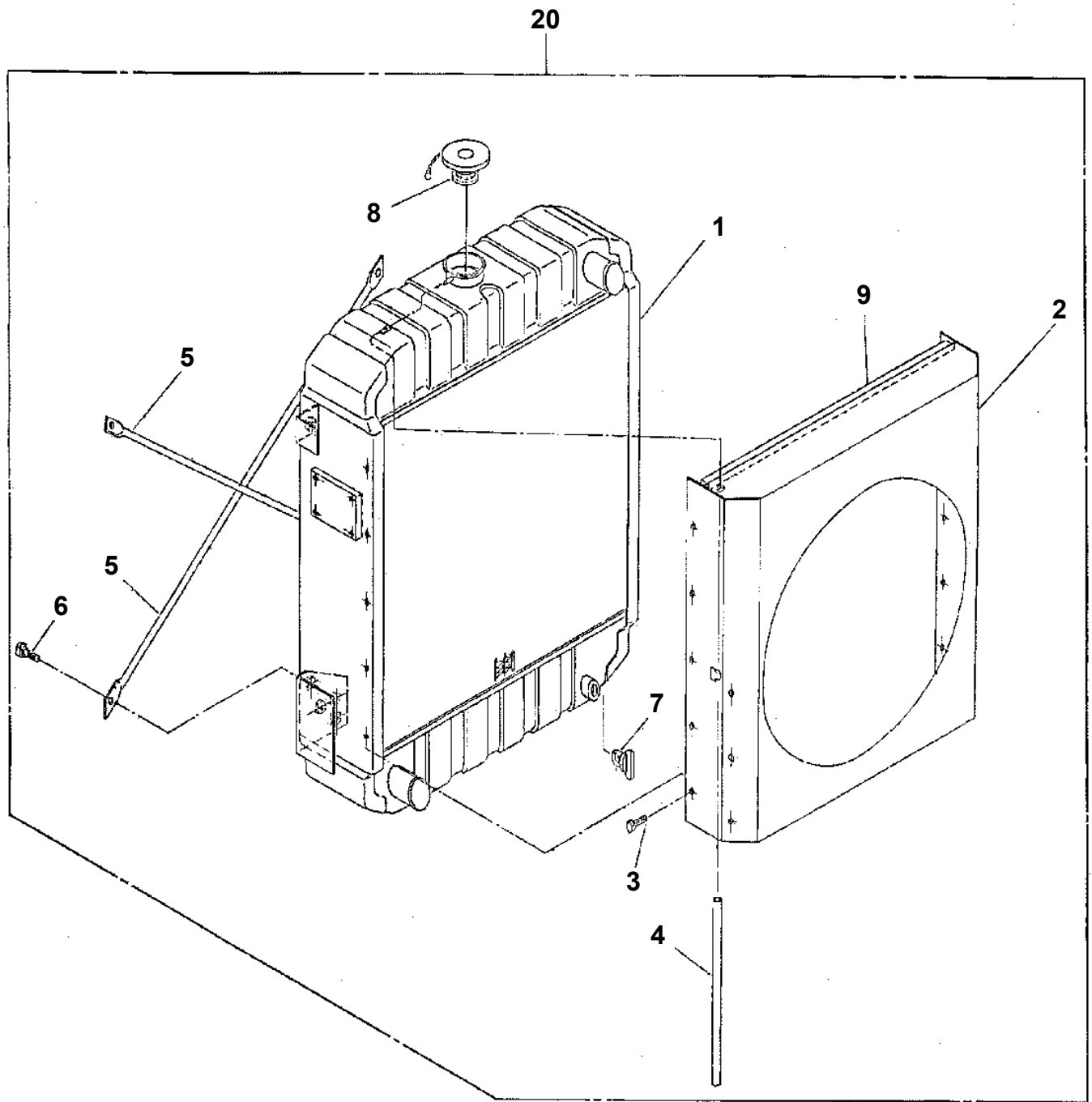
**89**



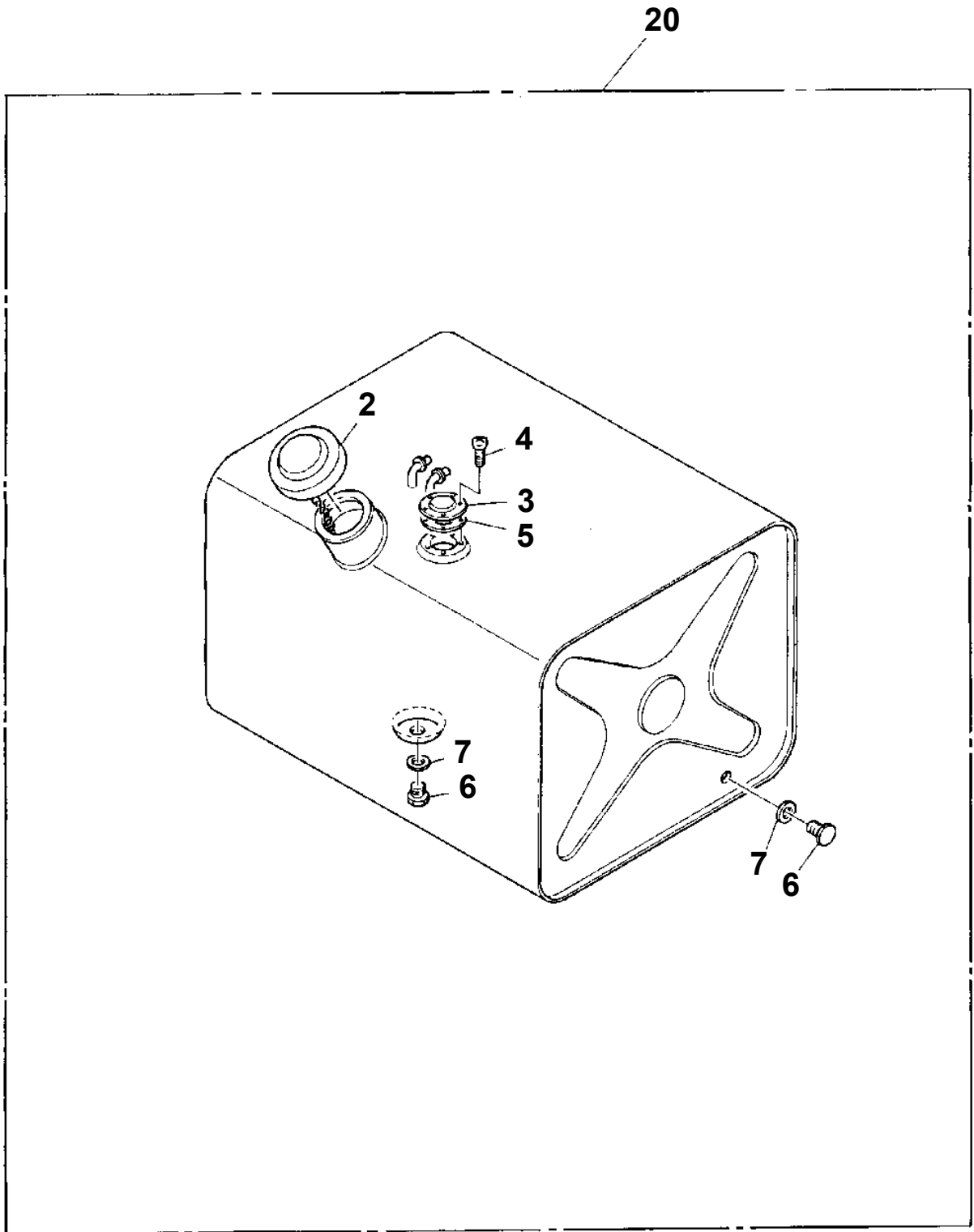
**TR-250M-4-00110 4 BOOM + JIB(SU),2M2D**  
**PO1010918-00 PLATE ASSY,NAME (HOOK,OPTION)**



TR-250M-4-00110 4 BOOM + JIB(SU),2M2D  
PQ1030007-00 RADIATOR



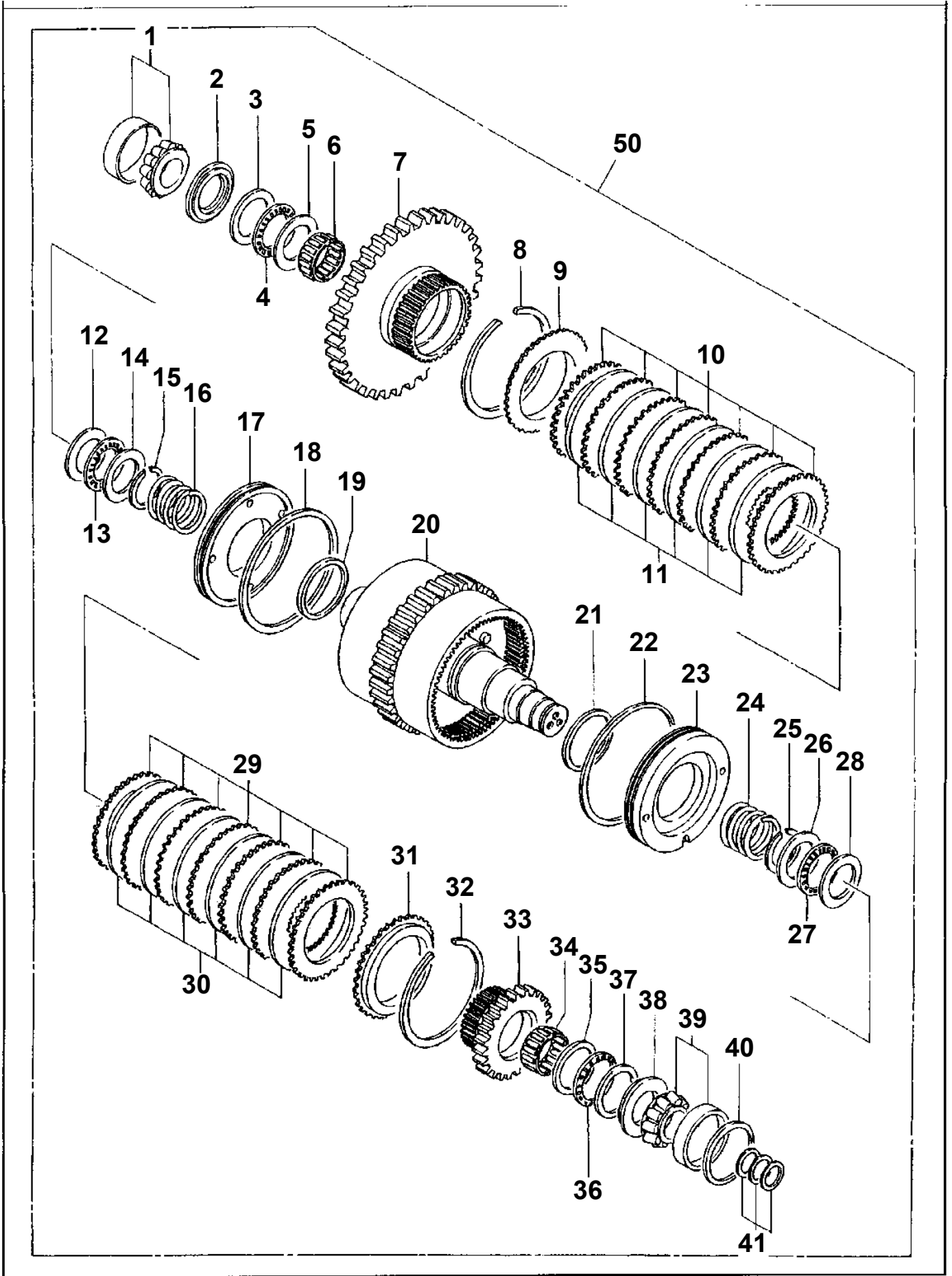
TR-250M-4-00110 4 BOOM + JIB(SU),2M2D  
PQ1100005-00 TANK,FUEL (300L)



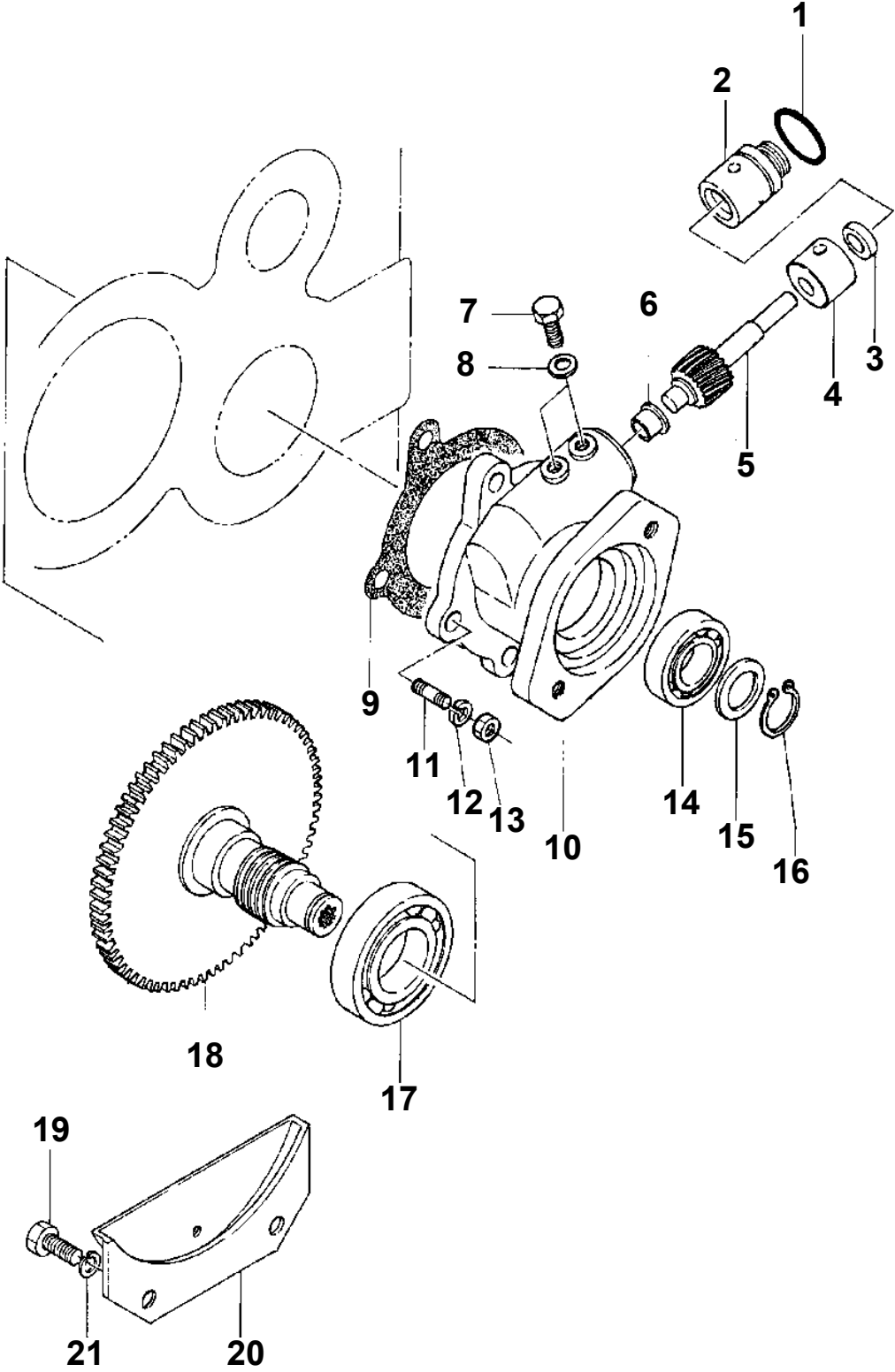
**TR-250M-4-00110 4 BOOM + JIB(SU),2M2D**

Pos No.	Parts No	Parts Name	Qty	Unit	Technical Data	Serial No (Start)	Serial No (End)	Remark
64	90131506030	BOLT,HEXAGON SOCKET	2		M6X30			
65	80500006310	BEARING,BALL	1					
66	59133070161	SHIM SET	1					
67	36370165210	PACKING	1					
68	36370165220	CARRIER	1					
69	90101510035	BOLT	6		M10X35			
70	36350025210	SEAL,OIL	1					
71	36370165230	FLANGE	1					
72	36370165240	O-RING	1					
73	59233150040	WASHER	1					
74	90302041601	WASHER,SPRING	1		16			
75	90101516045	BOLT	1		M16X45			
76	36370165250	BEARING,ROLLER	1					
77	36370165260	WASHER	1					
78	36350036940	WASHER,THRUST	1					
79	36350035760	BEARING,THRUST	1					
80	36350036930	WASHER,THRUST	1					
81	36350035830	BEARING,NEEDLE	1					
82	36370165270	GEAR,DRIVEN	1					
83	36350036930	WASHER,THRUST	1					
84	36350035760	BEARING,THRUST	1					
85	36350036940	WASHER,THRUST	1					
86	36370045300	RING,RETAINING	1					
87	36350036090	WASHER	1					
88	36370045290	SPRING	1					
89	36350035800	RING,RETAINING	1					
90	36370045310	PLATE (BACK)	1					
91	36370045450	PLATE,SINTER	5					
92	36370045280	PLATE (STEEL)	4					
93	36370165280	PISTON ASSY	1					
94	36350035720	RING,OIL SEAL	1					
95	59133510130	RING,OIL SEAL	1					
96	36370165290	SHAFT (CLUTCH)	1					
97	36370165300	BEARING,ROLLER	1					
98	59433510220	RING,OIL SEAL	3					
99	36370165311	HUB,SPLINE	1					
100	80602110450	RING,RITAINING	1		R45			
101	36370165320	O-RING	1					
102	36370165330	CARRIER,BEARING	1					
103	90101510030	BOLT	8		M10X30			
104	36370165340	SHIM SET	1					
105	36370165350	PACKING	1					
106	36370165360	HOUSING (CLUTCH)	1					
107	90101510030	BOLT	6		M10X30			
108	36370165370	SEAL,OIL	1					
109	80602110800	RING,RITAINING	1		R80			
110	80500006307	BEARING,BALL	1					
111	36370165380	RETAINER (BEARING)	1					
112	90302041001	WASHER,SPRING	1		10			
113	90191510050	BOLT	1		M10X50			
114	36370165390	GEAR,DRIVING (B)	1					
115	36370165400	HUB,SPLINE	1					
116	36370165410	RING,RETAINING	1					
117	80602110800	RING,RITAINING	1		R80			
118	80500006307	BEARING,BALL	1					
119	36370165380	RETAINER (BEARING)	1					
120	90302041001	WASHER,SPRING	1		10			
121	90101510050	BOLT	1		M10X50			
122	36370165420	GEAR,DRIVING (C)	1					
123	36370165430	HUB,SPLINE	1					
124	36370165410	RING,RETAINING	1					
125	59133530040	PACKING	1					
126	36370165440	PUMP,CHARGING	1					

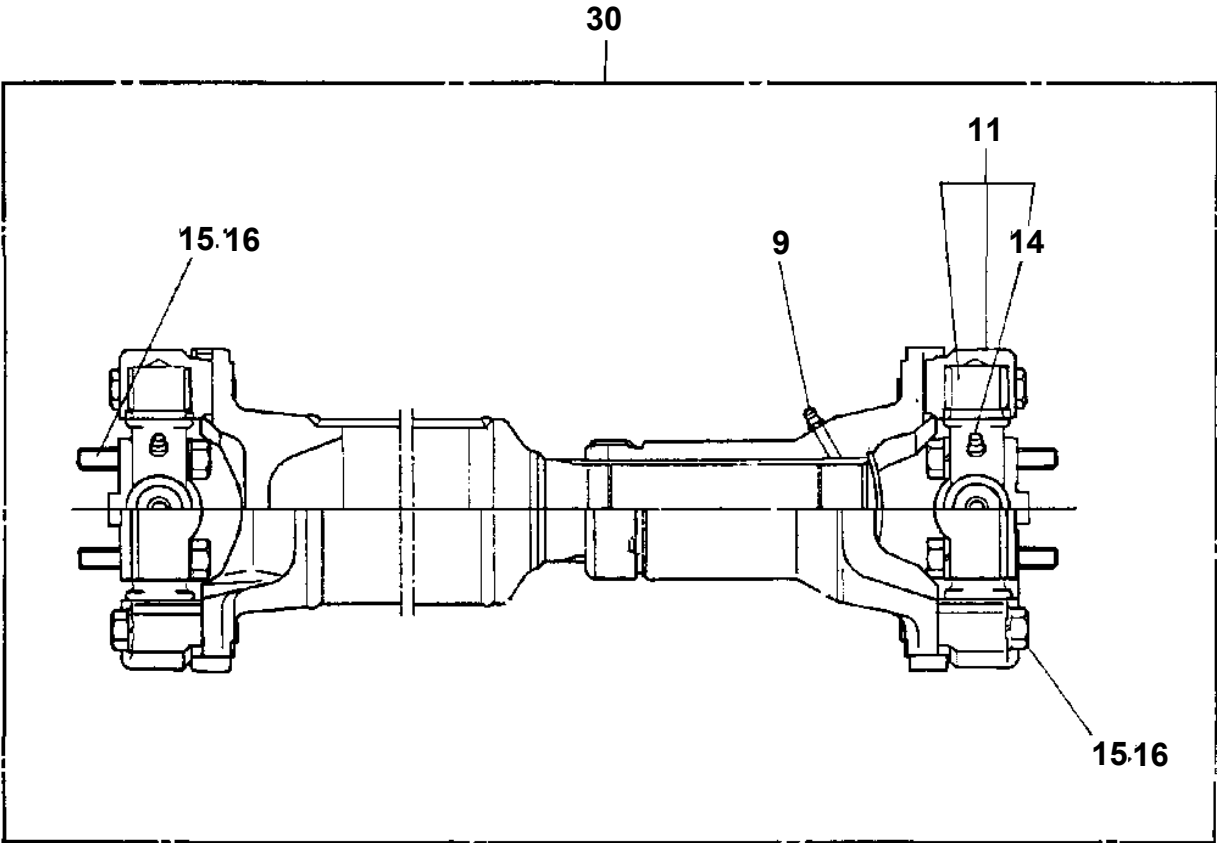
TR-250M-4-00110 4 BOOM + JIB(SU),2M2D  
PR1440005-00 CLUTCH PACK, TRANSMISSION (F3&F1)



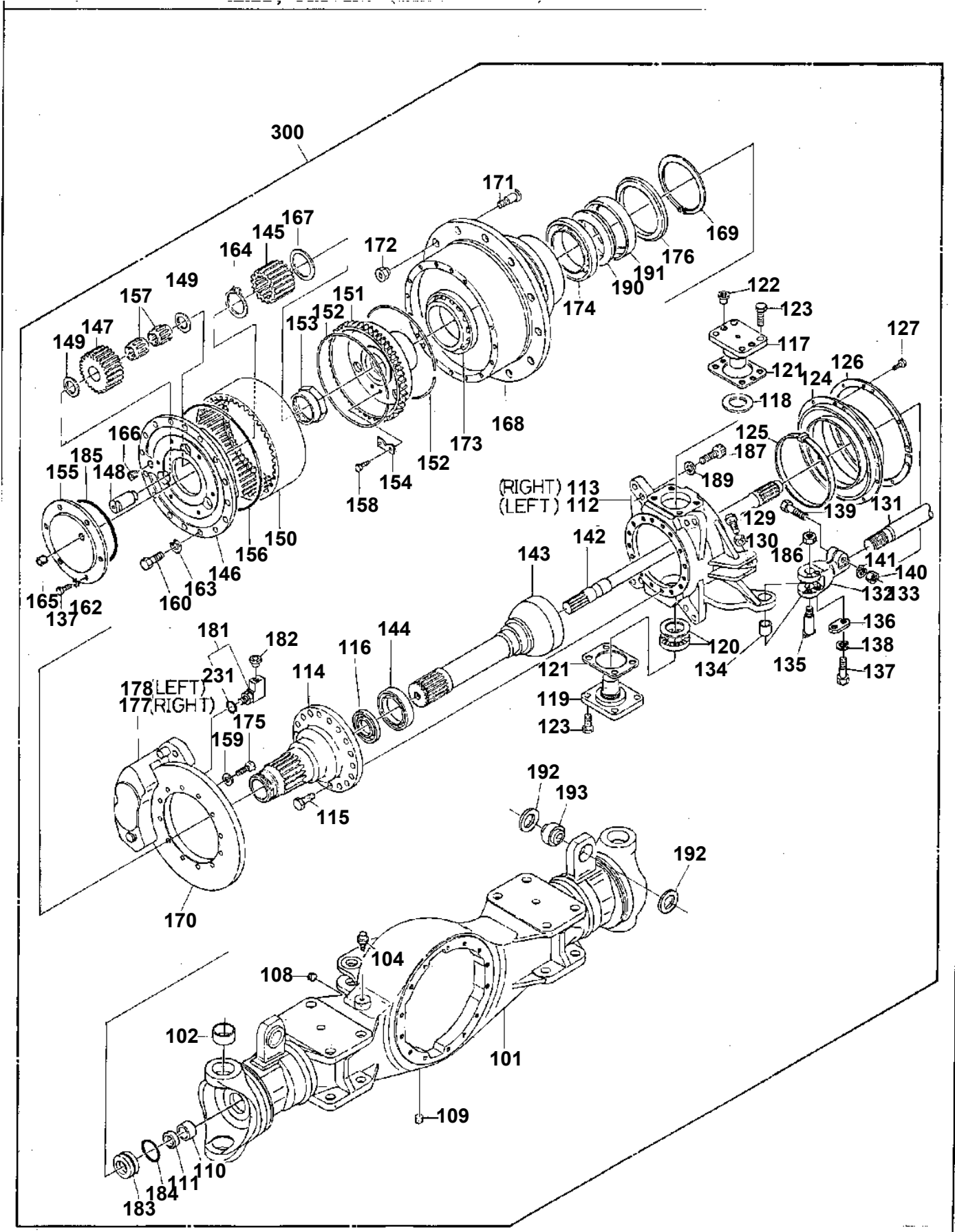
**TR-250M-4-00110 4 BOOM + JIB(SU),2M2D**  
**PR1520002-01 SPEEDOMETER, TRANSMISSION**



**TR-250M-4-00110 4 BOOM + JIB(SU),2M2D  
PR1600002-00 PROPELLER SHAFT, DRIVING**



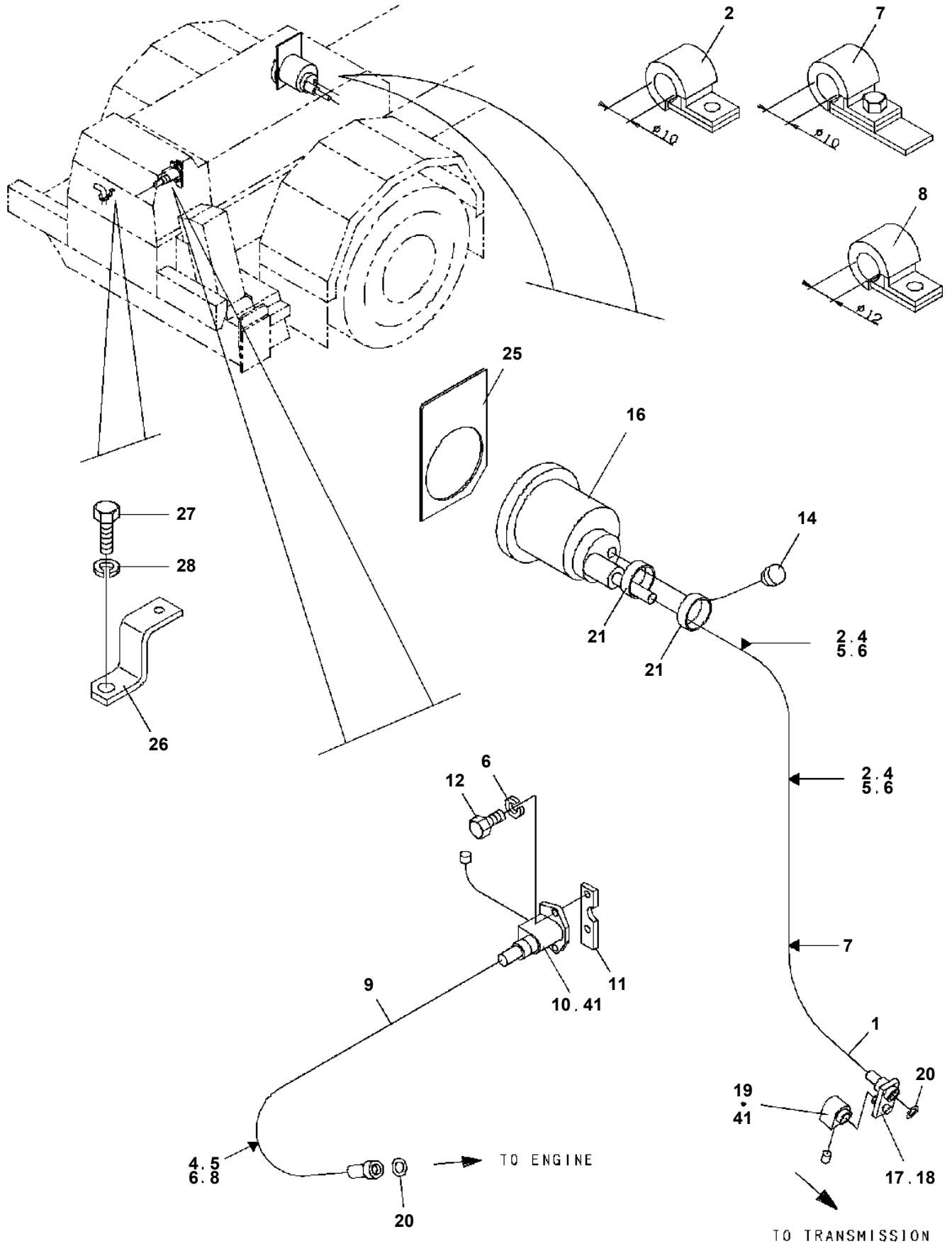
TR-250M-4-00110 4 BOOM + JIB(SU),2M2D  
PR1620022-02 AXLE,DRIVING (REAR NO-SPIN)



# TR-250M-4-00110 4 BOOM + JIB(SU),2M2D

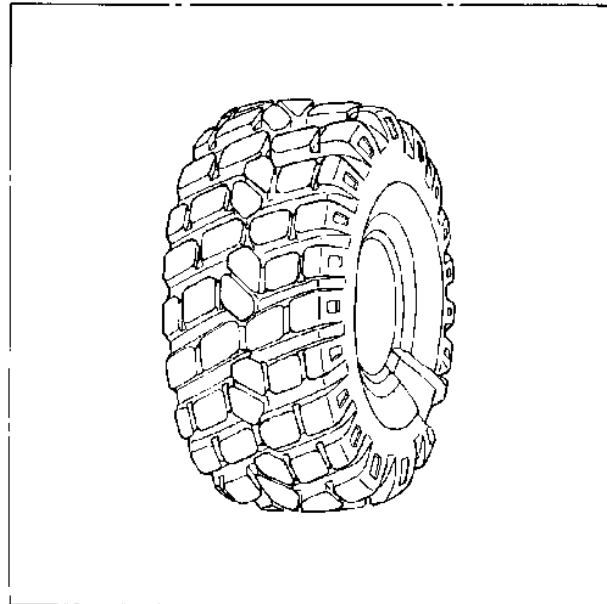
Pos No.	Parts No	Parts Name	Qty	Unit	Technical Data	Serial No (Start)	Serial No
247	36380685060	PAD KIT	2				
248	36380065910	BOLT	16				
249	36380685070	PLATE (COVER)	2				
250	36380675620	PLUG (PISTON)	6				
251	36380685080	SEAL KIT	2				
252	36380675640	PISTON	12				
253	36380675650	CAP (BREATHER)	2				
300	36380690001	AXLE,DRIVING (REAR WITHOUT NON-SPIN)	1				

**TR-250M-4-00110 4 BOOM + JIB(SU),2M2D  
PR1740036-00 SPEED METER SYSTEM (DENSO)**

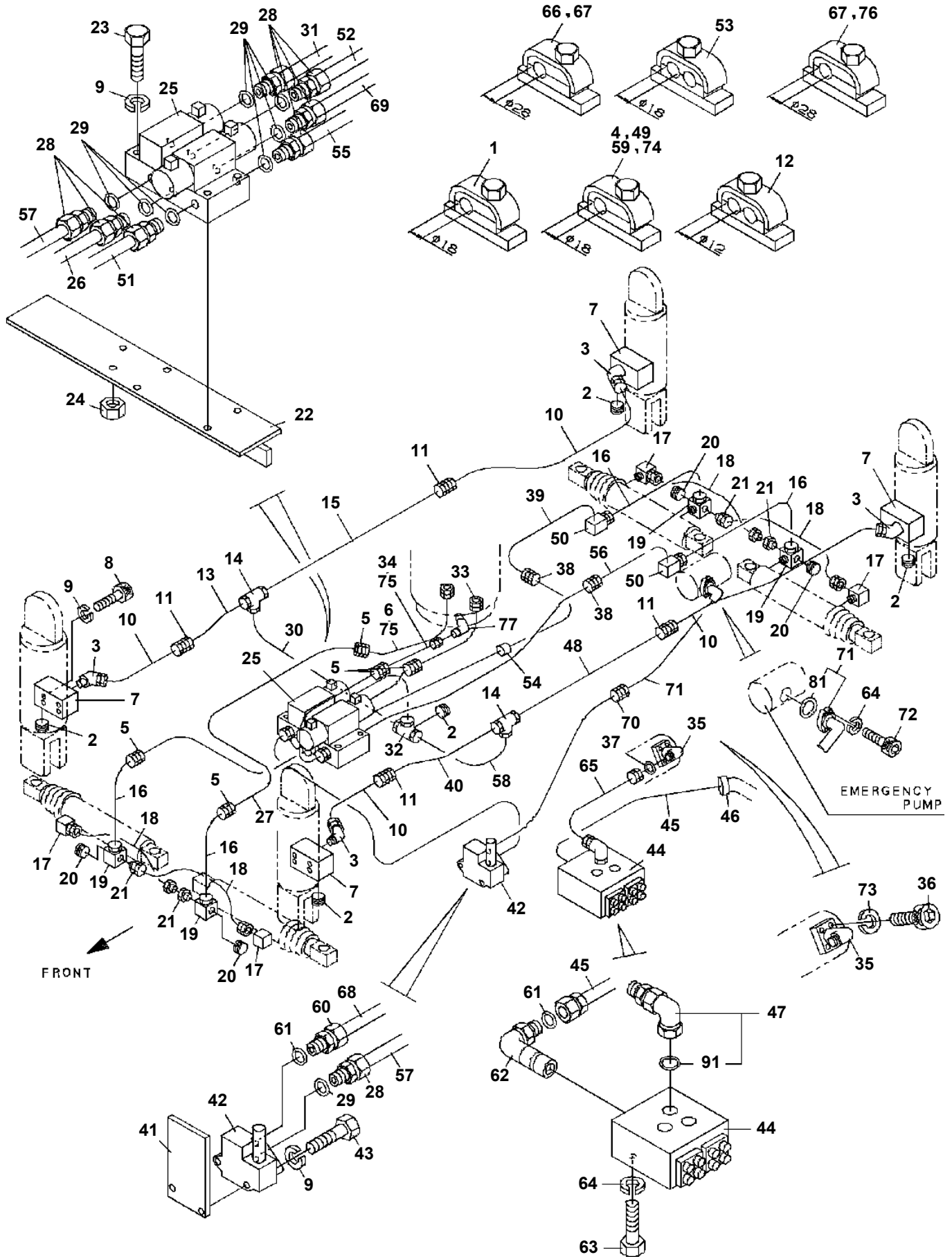


**TR-250M-4-00110 4 BOOM + JIB(SU),2M2D  
PR1800001-00 TIRE**

**1**



**TR-250M-4-00110 4 BOOM + JIB(SU),2M2D  
PS1200041-01 PIPING,STEERING**



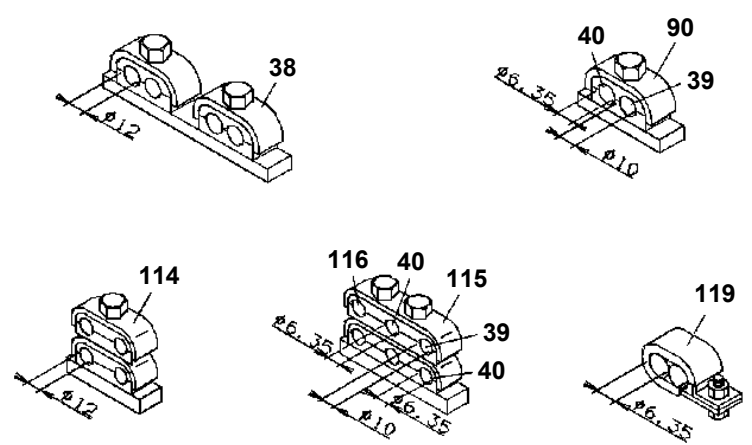
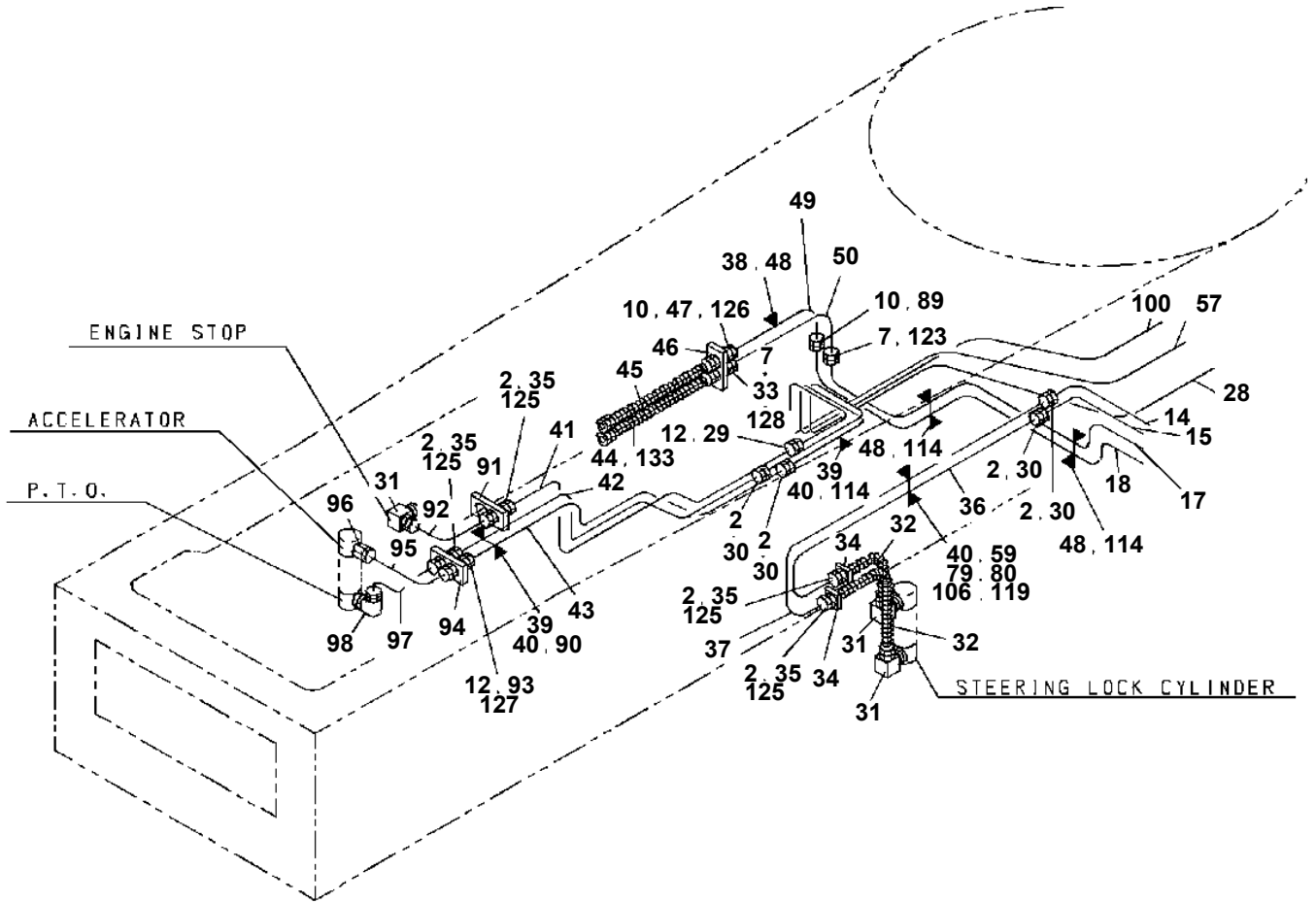
# TR-250M-4-00110 4 BOOM + JIB(SU),2M2D

Pos No.	Parts No	Parts Name	Qty	Unit	Technical Data	Serial No (Start)	Serial No (End)	Remarks	Pa
1	37001501680	BOLT	3						
2	59460521000	BOLT	4						
3	90236203008	NUT,CASTLE	8		M30X2		518587		
	37001601880	NUT,CASTLE	8		M30X1.5	518588			
4	80136360055	PIN,SPLIT	8		6X55				
5	36061190000	CYLINDER,AIR	1				518263		
	36061190001	CYLINDER,AIR	1			518264			
6	90101208030	BOLT	4		M8X30				
7	90201200800	NUT	4		M8				
8	90302040801	WASHER,SPRING	4		8		518587		
	90302040801	WASHER,SPRING	6		8	518588			
9	34720530600	ROD	1						
10	34720530200	SUPPORT	1				518587		
	34720530201	SUPPORT	1			518588			
11	37001503560	BOLT	1						
12	90236201400	NUT,CASTLE	1		M14				
13	90303071401	WASHER,PLAIN	1		14				
14	80136332028	PIN,SPLIT	1		3.2X28				
15	34720530300	SUPPORT	1						
16	34720530400	PIN	1						
17	37000110320	PIN	2						
18	90303071001	WASHER,PLAIN	5		10				
19	80136332020	PIN,SPLIT	4		3.2X20				
20	34720530500	LEVER	1						
21	37000114970	PIN	1						
22	90303071201	WASHER,PLAIN	2		12				
23	82100002351	SWITCH,LIMIT	1						
24	37000533000	SUPPORT	1				518587		
25	80316030020	PLUG	8		PT1/8				
26	34920030050	PLATE	2						
27	36061130000	CYLINDER,STEERING	2				517698		000
	36061130001	CYLINDER,STEERING	2			517699			000
28	36061150000	CYLINDER,STEERING	2				517698		000
	36061150001	CYLINDER,STEERING	2			517699			000
29	82100002359	SWITCH,LIMIT	1						
30	37000124910	PIN	1						
31	37005400120	END	1						
32	34720530700	PLATE	1						
33	34720530050	CAM	1			518588			
34	90101208018	BOLT	2		M8X18	518588			
35	90303070801	WASHER,PLAIN	2		8	518588			
50	80804012020	BEARING,PLAIN	1						

# TR-250M-4-00110 4 BOOM + JIB(SU),2M2D

Pos No.	Parts No	Parts Name	Qty	Unit	Technical Data	Serial No (Start)	Serial No (End)	Remarks	Pages
11	36610275020	O-RING	1		AS568-908				
13	36610385020	PLUG	1						
14	36610275040	O-RING	2						
15	36610385010	SPRING	1						
17	36610275060	PLUG	1						
50	36610540000	VALVE,PRIORITY	1						

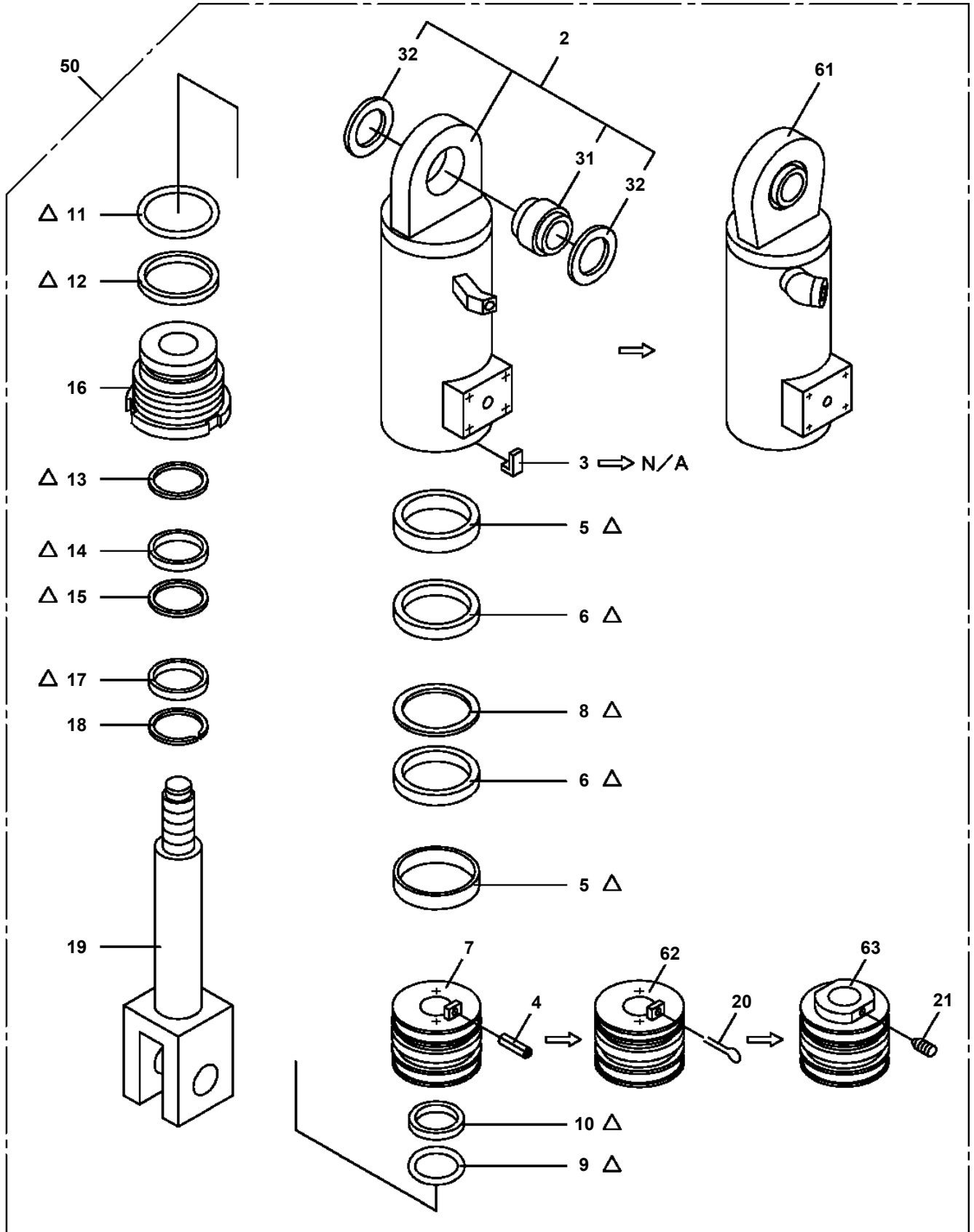
**TR-250M-4-00110 4 BOOM + JIB(SU),2M2D  
PT1220009-00 PIPING,AIR**



## TR-250M-4-00110 4 BOOM + JIB(SU),2M2D

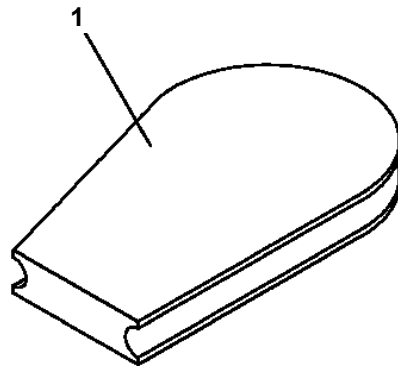
Pos No.	Parts No	Parts Name	Qty	Unit	Technical Data	Serial No (Start)	Serial No (End)	Remarks
2	36600945010	SEAT,SPRING	1					
3	36600945020	SPRING	1					
4	36600945030	PLATE	1					
5	36600945040	DIAPHRAGM	1					
8	36600945050	PACKING	1				FB2861	
	91001101800	O-RING	1		1A P18	FB2862		
9	36600945060	BOLT (ADJUSTING)	1				518953	
	36600955010	BOLT (ADJUSTING)	1			518954		
10	90202200800	NUT	1		M8			
11	36600945070	WASHER (DIAPHRAGM)	1					
12	36600945080	NUT,CASTLE	1		M6			
13	80136012015	PIN,SPLIT	1		1.2X15			
14	36600945090	SCREW	6				518953	
	80192434016	SCREW,MACHINE	6		M4X16	518954		
15	90302040401	WASHER,SPRING	6		4		518953	
16	36600945100	O-RING	1					
17	36600945110	CAP	1					
18	36600945120	PACKING	1					
20	36600955020	VALVE KIT (REPAIR KIT)	1			518954	FB2861	
	36600955030	VALVE KIT (REPAIR KIT)	1			FB2862		
50	36602470000	VALVE,REDUCING	1					

**TR-250M-4-00110 4 BOOM + JIB(SU),2M2D  
 PU1050031-05 CYLINDER,SPRING LOCK**

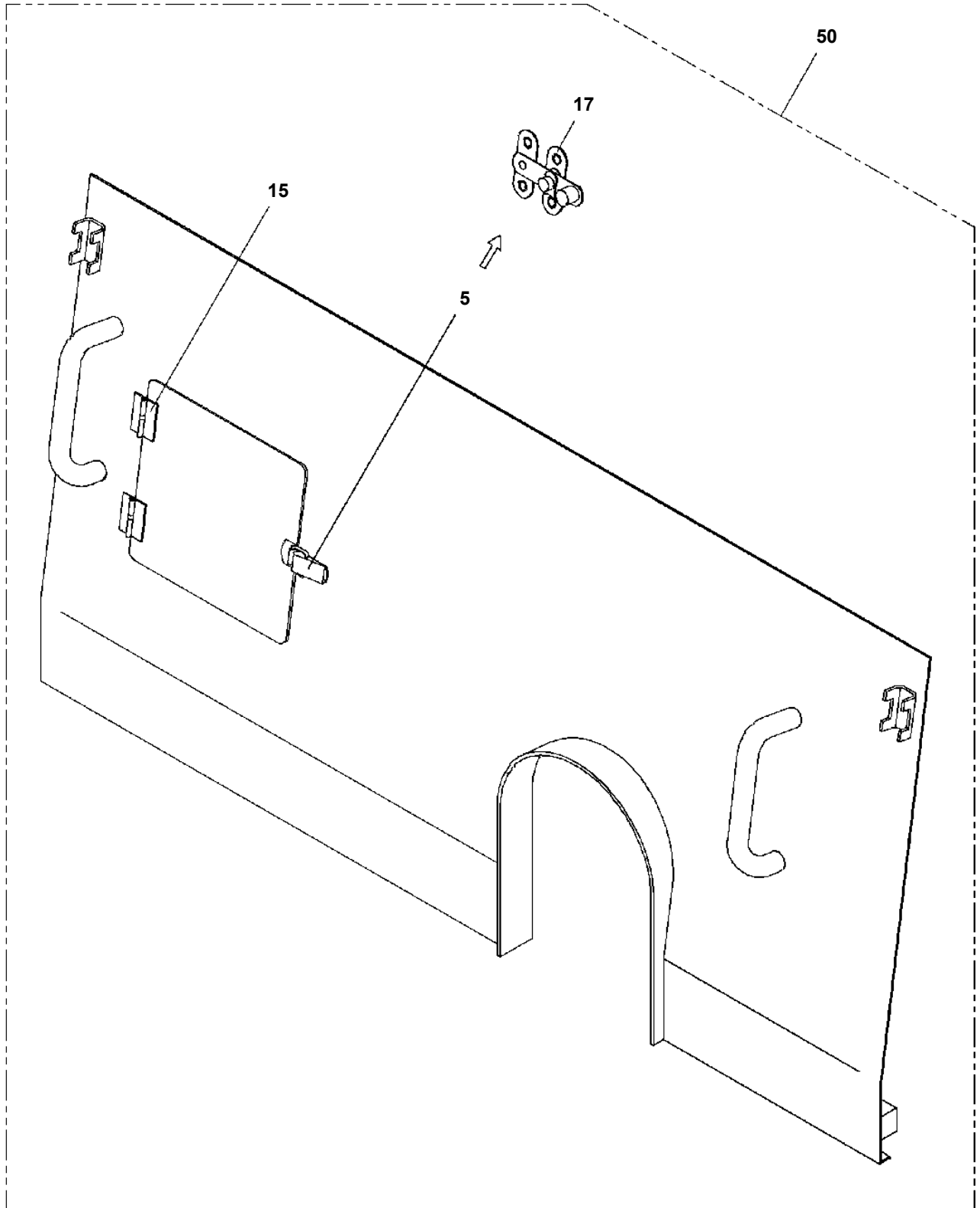


△:PACKING SET KEY NO.40 (KEY NO.5,6,8,9,10,11,12,13,14,15,17)

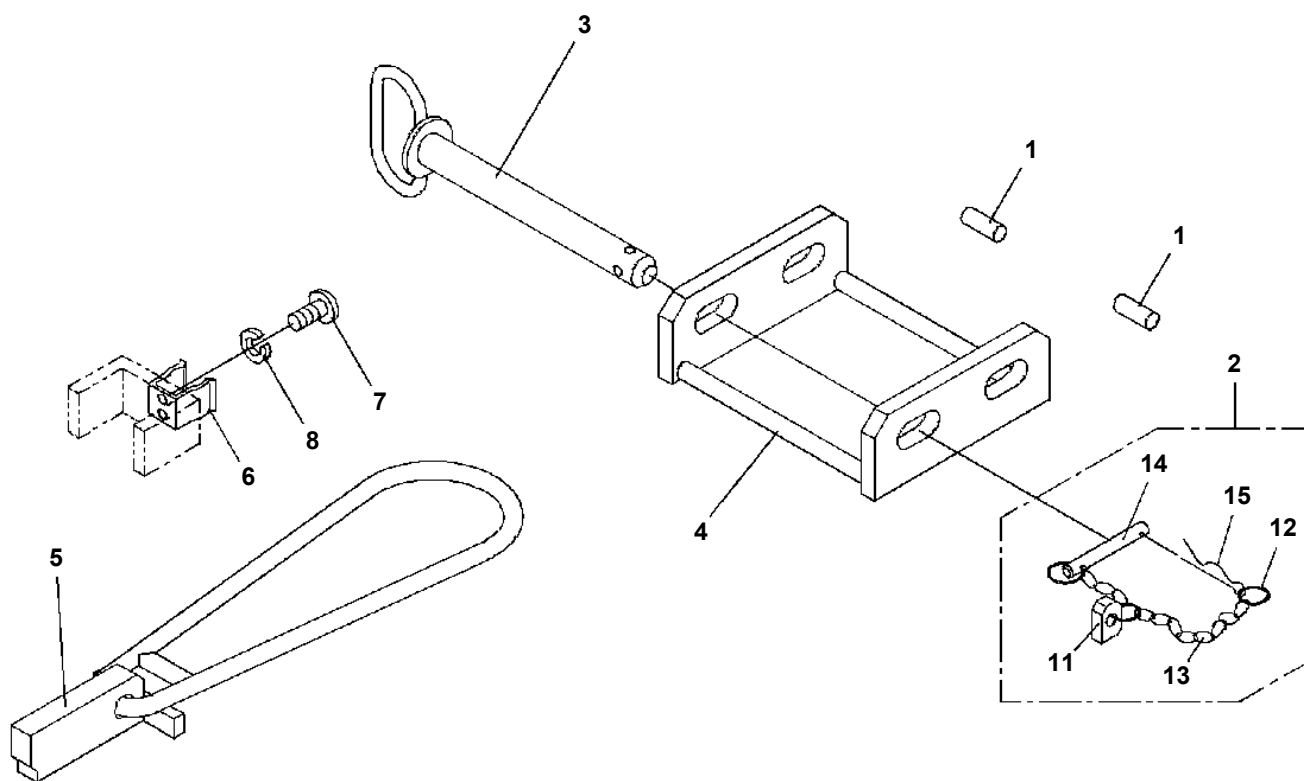
TR-250M-4-00110 4 BOOM + JIB(SU),2M2D  
PW5110008-00 WEDGE



TR-250M-4-00110 4 BOOM + JIB(SU),2M2D  
PX1050045-00 ROOM,ENGINE (OPTION)

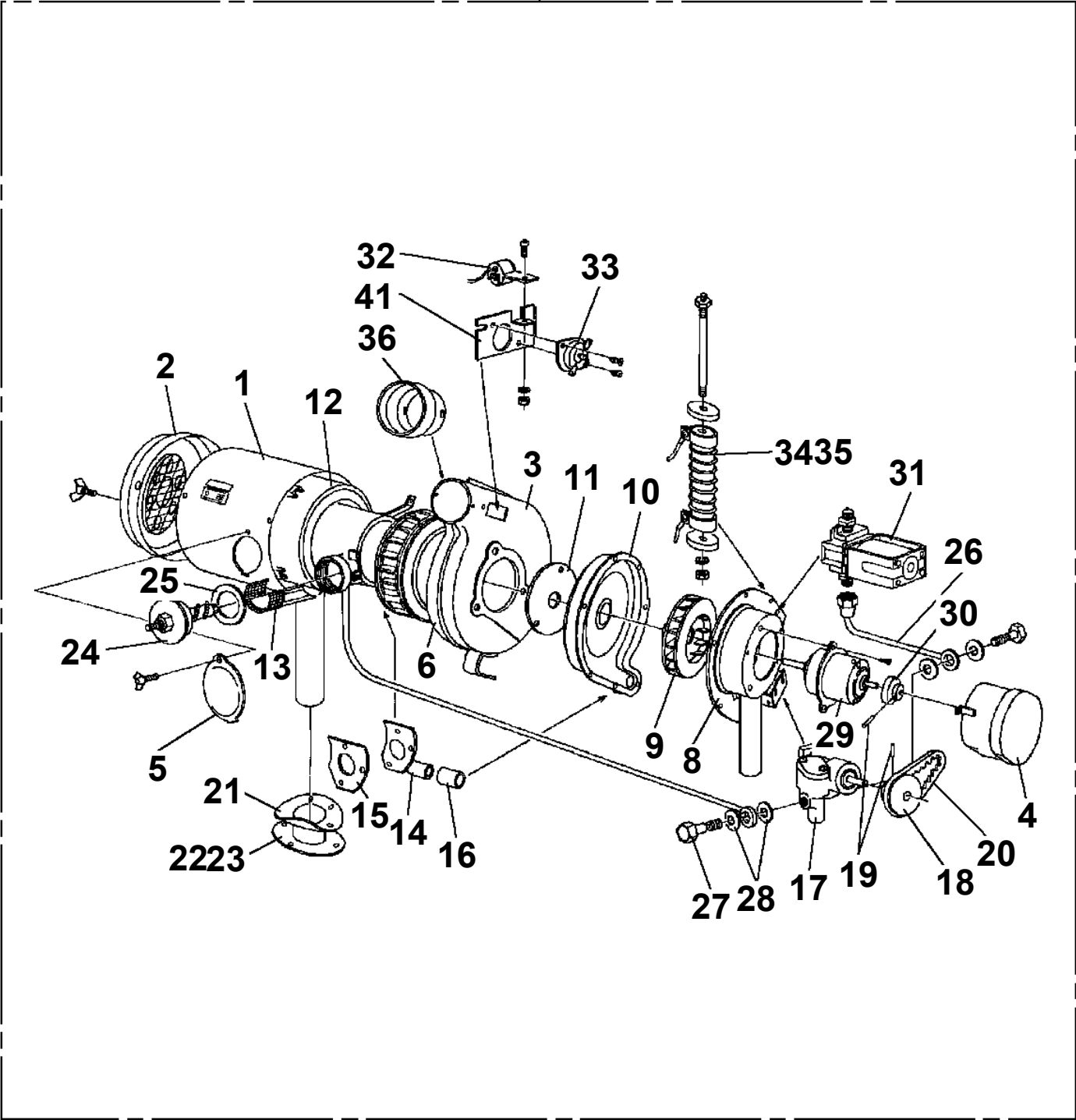


TR-250M-4-00110 4 BOOM + JIB(SU),2M2D  
PX1180079-00 MOUNT,HOOK

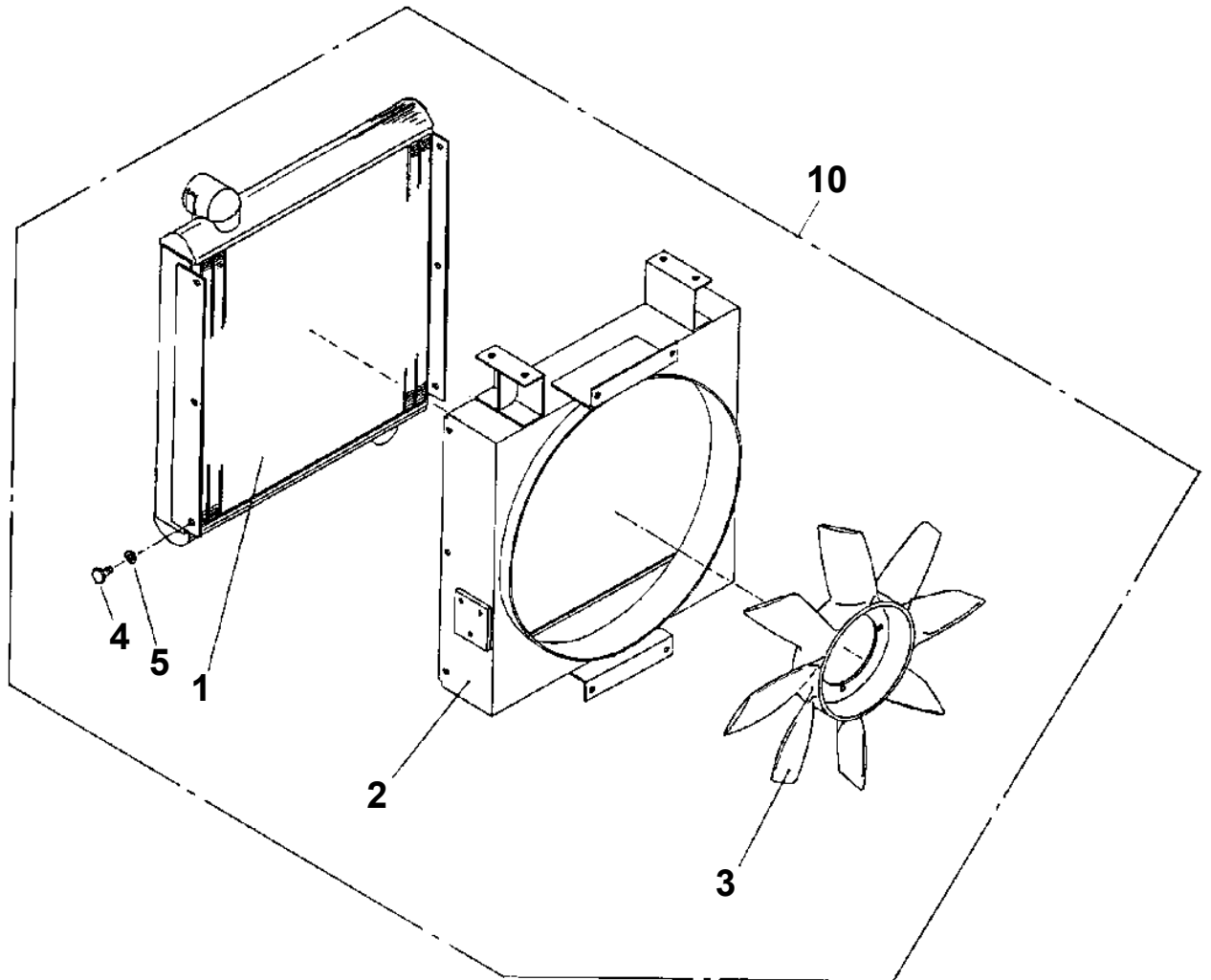


TR-250M-4-00110 4 BOOM + JIB(SU),2M2D  
PY1120004-02 HEATER (KEROSENE)

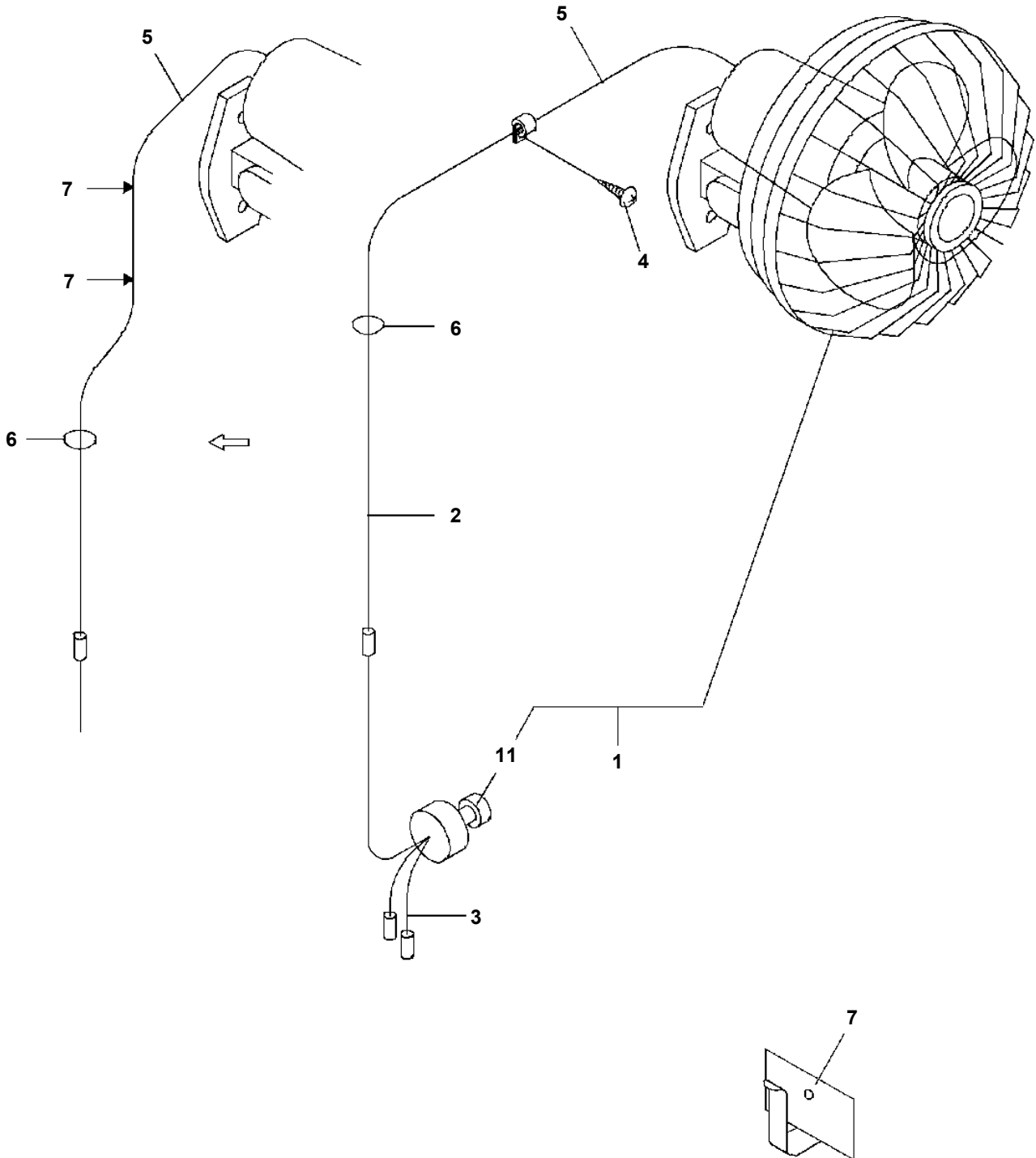
50



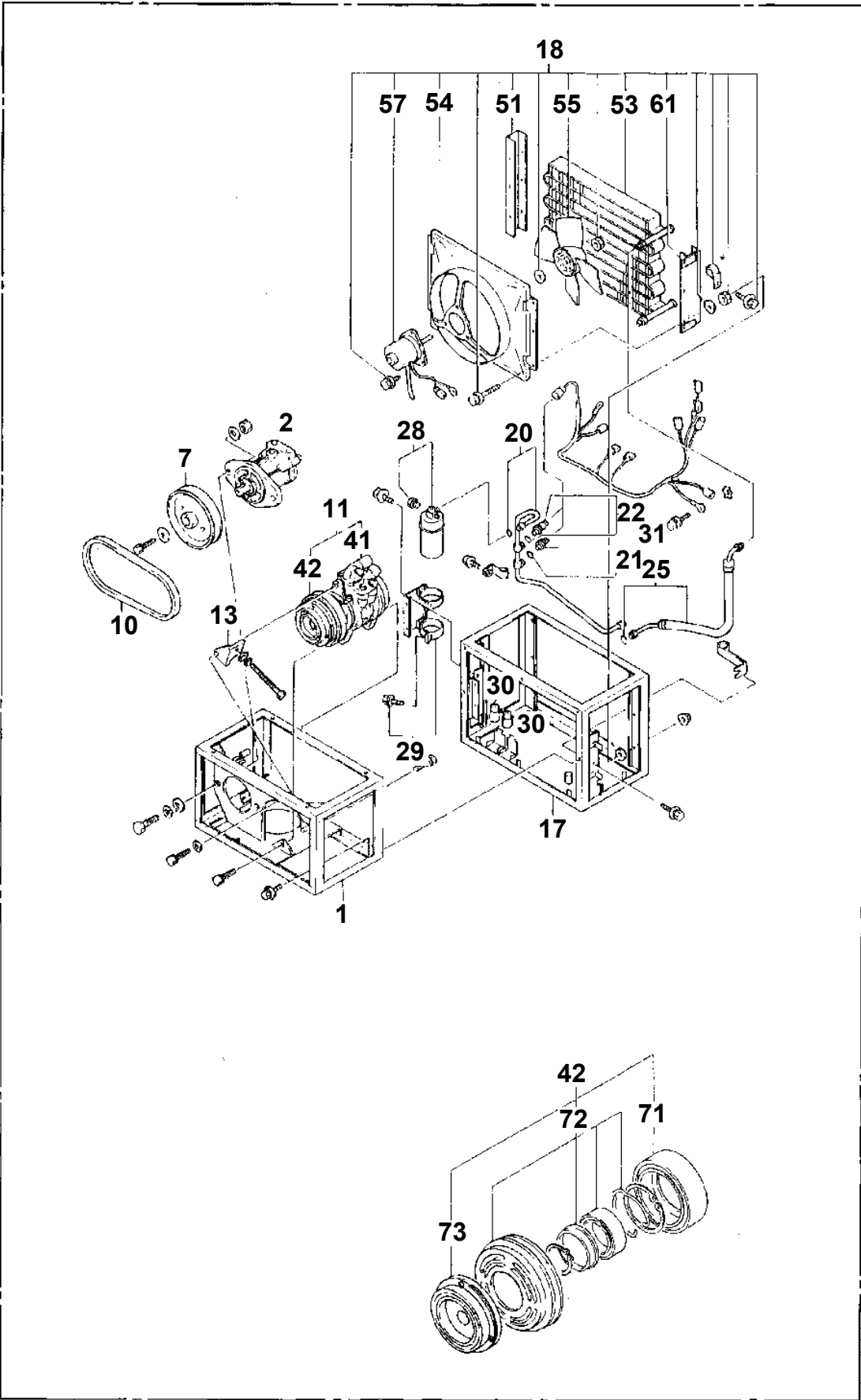
TR-250M-4-00110 4 BOOM + JIB(SU),2M2D  
PY1300003-00 COOLER,OIL



**TR-250M-4-00110 4 BOOM + JIB(SU),2M2D  
PY1360005-02 FAN INSTALLATION**



TR-250M-4-00110 4 BOOM + JIB(SU),2M2D  
PY1380035-01 COMPRESSOR ASSY



## TR-250M-4-00110 4 BOOM + JIB(SU),2M2D

Pos No.	Parts No	Parts Name	Qty	Unit	Technical Data	Serial No (Start)	Serial No (End)	Remark
2	80303030140	FITTING,ELBOW	1		KLN12-020N			
3	80302010140	FITTING	2		C717KCT12-020N			
4	81408000160	PIPE,STEEL	1	M	12X1.4T			
9	80305010100	FITTING,TEE	1		KTA12-000N			
10	81408000160	PIPE,STEEL	1	M	12X1.4T			
11	81408000160	PIPE,STEEL	1	M	12X1.4T			
17	80306010100	NUT	4		KKN12-000N			
18	80309010100	SLEEVE	4					
20	36640450000	VALVE,SOLENOID	1					
22	34473602200	SUPPORT	1					
23	36670610000	FILTER,OIL	1					
24	80302010160	FITTING	2		KCT12-030N			
26	81408000160	PIPE,STEEL	1	M	12X1.4T			
27	81408000160	PIPE,STEEL	1	M	12X1.4T			
28	81408000160	PIPE,STEEL	1	M	12X1.4T			
29	90131505050	BOLT,HEXAGON SOCKET	2		M5X50			

CLICK HERE TO **DOWNLOAD** THE COMPLETE MANUAL

- Thank you very much for reading the preview of the manual.
- You can download the complete manual from: [www.heydownloads.com](http://www.heydownloads.com) by clicking the link below



- Please note: If there is no response to CLICKING the link, please download this PDF first and then click on it.

CLICK HERE TO **DOWNLOAD** THE COMPLETE MANUAL