

TR-250M-4-00108 3 BOOM + JIB,3M3D

PB1000117-03 HYDRAULIC PRESSURE GENERATING SYSTEM
PC1000087-00 OUTRIGGER SYSTEM
PD1000116-00 SWING SYSTEM
PE1000111-00 ELEVATING SYSTEM
PF1000099-02 WINCH SYSTEM
PG1000112-03 TELESCOPING SYSTEM
PH1000109-04 SAFETY DEVICES
PI1000116-02 HYDRAULIC DEVICES
PK1000118-02 FRAME
PL1000115-02 CONTROL DEVICES
PM1000032-01 LUBRICATION DEVICES
PN1000111-03 ELECTRIC EQUIPMENT
PO1000114-01 INDICATION PLATES
PQ1000039-00 DRIVING POWER GENERATING SYSTEM
PR1000029-01 DRIVING POWER TRANSMISSION SYSTEM
PS1000040-01 STEERING SYSTEM
PT1000030-01 BRAKE SYSTEM
PU1000026-00 SUSPENSION
PW1000097-02 ACCESSORIES & TOOLS
PX1000115-02 MOUNTING PARTS
PY1000097-05 OPTIONS
ASSEMBLY

CLICK HERE TO **DOWNLOAD** THE COMPLETE MANUAL

- Thank you very much for reading the preview of the manual.
- You can download the complete manual from: www.heydownloads.com by clicking the link below



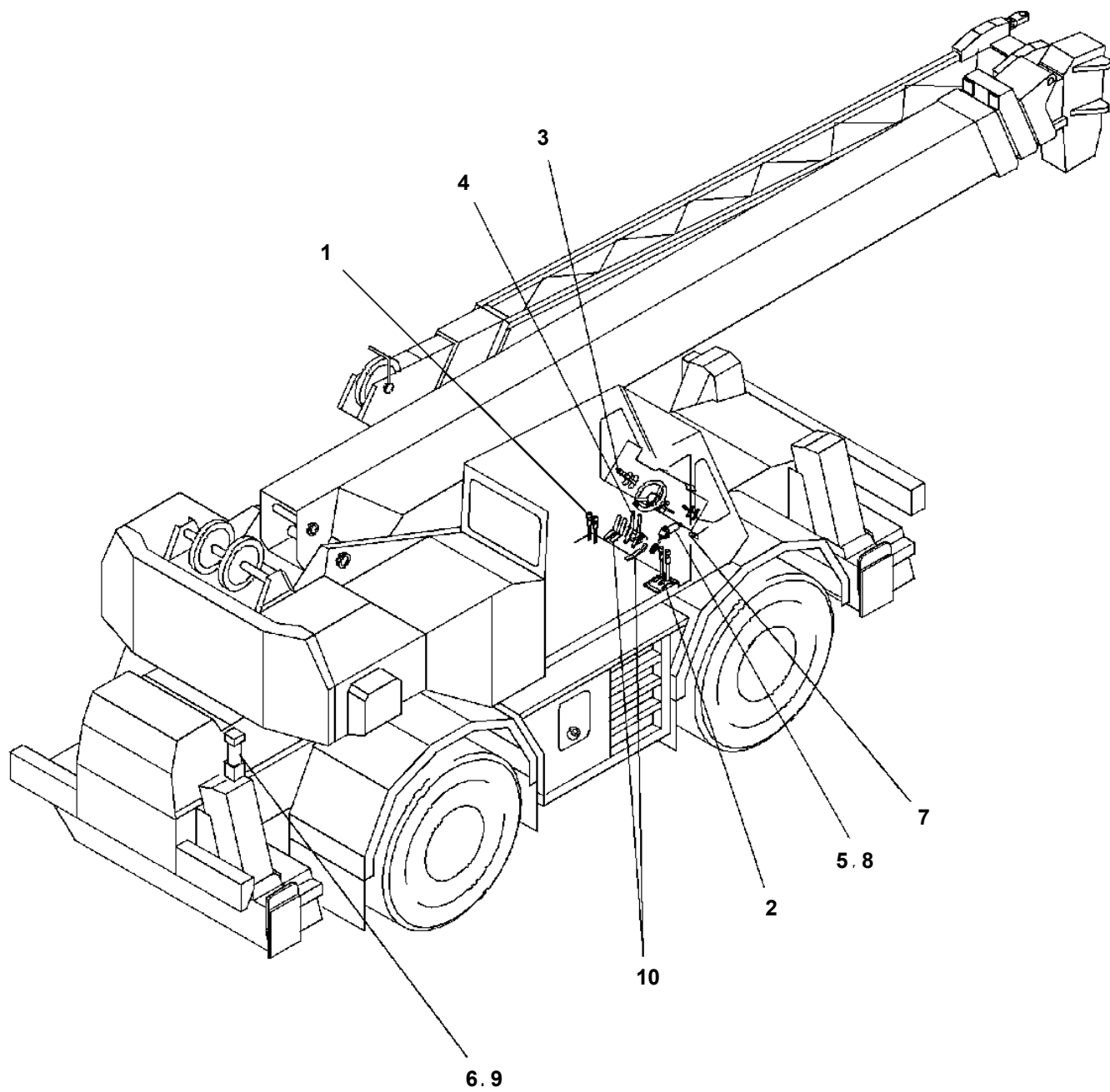
- Please note: If there is no response to CLICKING the link, please download this PDF first and then click on it.

CLICK HERE TO **DOWNLOAD** THE COMPLETE MANUAL

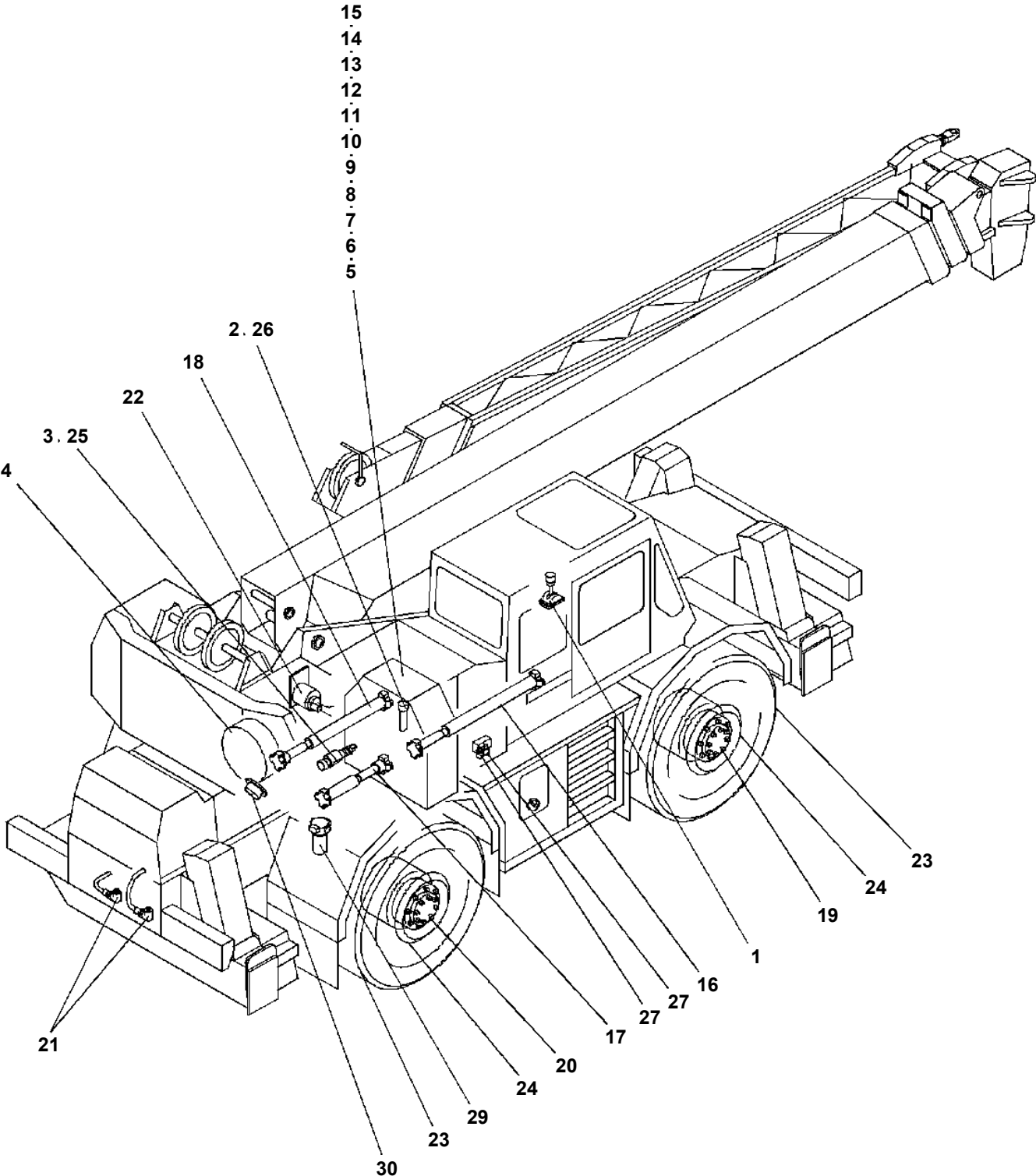
TR-250M-4-00108 3 BOOM + JIB,3M3D

Pos No.	Parts No	Parts Name	Qty	Unit	Technical Data	Serial No (Start)	Serial No (End)
1	36071100000	WINCH (MAIN)	1				
2	36071110000	WINCH (AUX.)	1				
3	36070840000	WINCH	1				
4	36310150000	CLUTCH,WINCH	1				
5	36310140000	CLUTCH,WINCH	1				
6	19413067000	CLUTCH,WINCH	1				
7	36093300000	HOOK (MAIN)	1				
8	36091120000	HOOK (OPTION, 6TON OR 7TON)	1				
9	(*****)	HOOK (AUX.)	1				
10	36092780000	HOOK (OPTION,12TON)	1				
11	(*****)	HOOK (4-PART LINE, OPTION)	1				
12	(*****)	HOOK (2-PART LINE, OPTION)	1				
13	37001800470	ROPE,WIRE	1				
14	37001801760	ROPE,WIRE	1				
15	19417912000	ROPE,WIRE (TESAC)	1				
16	(*****)	SOCKET,ROPE	3				
18	(*****)	OPE.ASSY, WINCH BRAKE (MAIN)	1				
19	(*****)	OPE.ASSY, WINCH BRAKE (AUX.)	1				
20	(*****)	OPE.ASSY, WINCH BRAKE (3RD WINCH)	1				
21	34310643000	BAND,WINCH BRAKE (MAIN)	1				
22	34310583000	BAND,WINCH BRAKE	1				
23	33310660010	BAND,WINCH BRAKE	1				
24	(*****)	OPE. ASSY,DRUM LOCK	1				
25	(*****)	OPE.ASSY,CLUTCH (MAIN)	1				
26	(*****)	OPE.ASSY,CLUTCH (AUX.)	1				
27	(*****)	DETECTOR,DISORDERLY WIND (MAIN)	1				
28	(*****)	DETECTOR,DISORDERLY WIND (AUX.)	1				
29	(*****)	DETECTOR,DISORDERLY WIND (3RD WINCH)	1				
30	(*****)	PIPING,WINCH (MAIN)	1				
31	(*****)	PIPING,WINCH (AUX.)	1				
32	(*****)	PIPING,WINCH (3RD WINCH)	1				
33	(*****)	PIPING,WINCH BRAKE (MAIN)	1				
34	(*****)	PIPING,WINCH BRAKE (AUX.)	1				
35	(*****)	PIPING,WINCH BRAKE (3RD WINCH)	1				
36	(*****)	DETECTOR,DRUM ROTATION (MAIN)	1				
37	(*****)	DETECTOR,DRUM ROTATION (AUX.)	1				
38	36632920000	VALVE,CLUTCH	1				
39	36672739510	JOINT,WINCH ROTARY	3				
40	(*****)	MOUNT,WINCH (MAIN)	1				
41	(*****)	MOUNT,WINCH (AUX.)	1				
42	(*****)	MOUNT,WINCH (3RD WINCH)	1				
43	36661030000	MOTOR,HYDRAULIC	2				
44	36660660000	MOTOR,HYDRAULIC (TOSHIBA)	1				
45	36061550000	CYLINDER,MASTER	3				
46	36601070000	VALVE,REDUCING	1				
47	36640220000	VALVE,SOLENOID	1				
48	36640590000	VALVE,SOLENOID	1				
49	36641880000	VALVE,HYDRAULIC	3				
50	(*****)	VALVE,COUNTERBALANCE	2				
51	36601800000	VALVE,COUNTERBALANCE (TOSHIBA)	1				

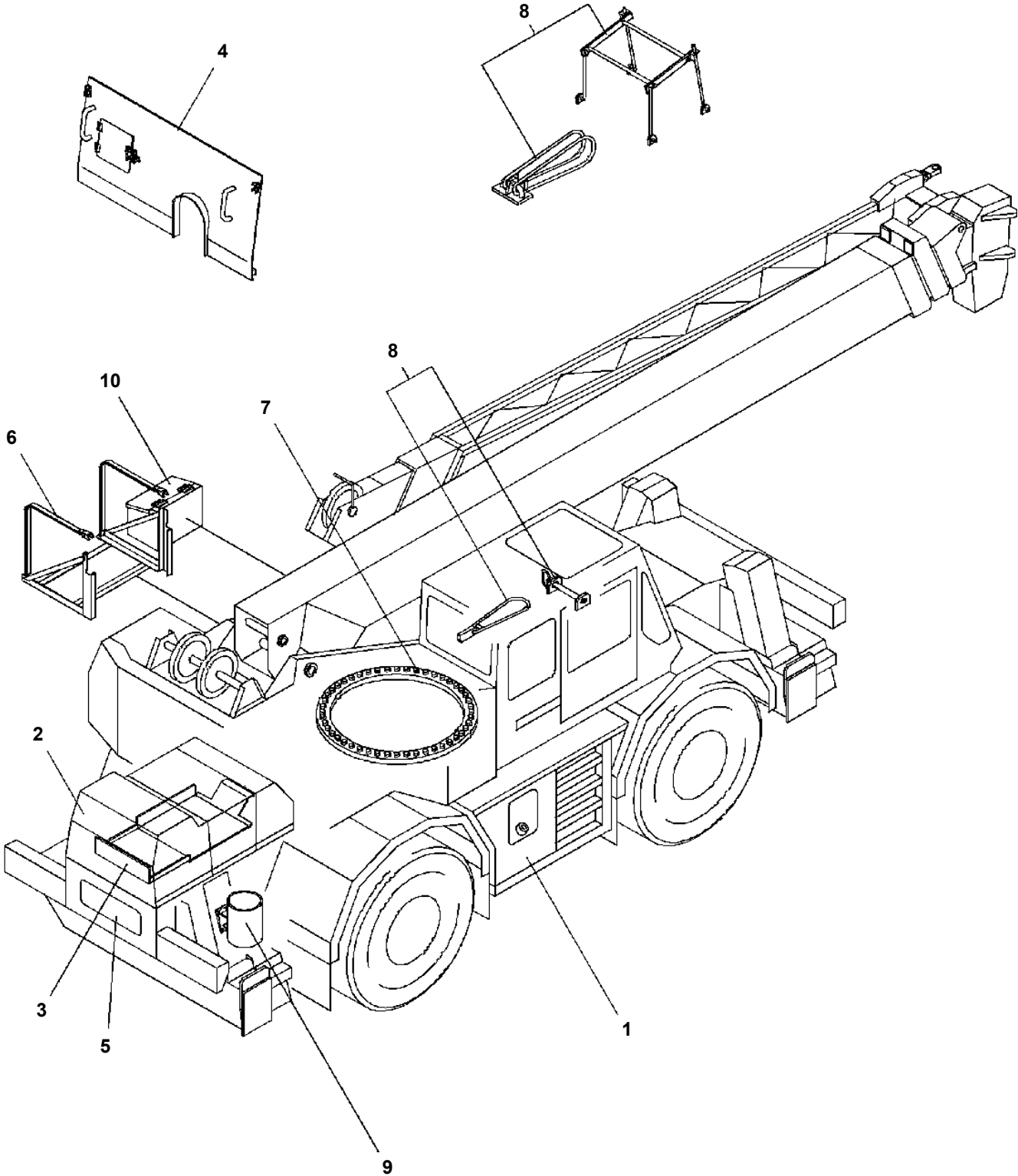
**TR-250M-4-00108 3 BOOM + JIB,3M3D
PL1000115-02 CONTROL DEVICES**



**TR-250M-4-00108 3 BOOM + JIB,3M3D
PR1000029-01 DRIVING POWER TRANSMISSION SYSTEM**



**TR-250M-4-00108 3 BOOM + JIB,3M3D
PX1000115-02 MOUNTING PARTS**



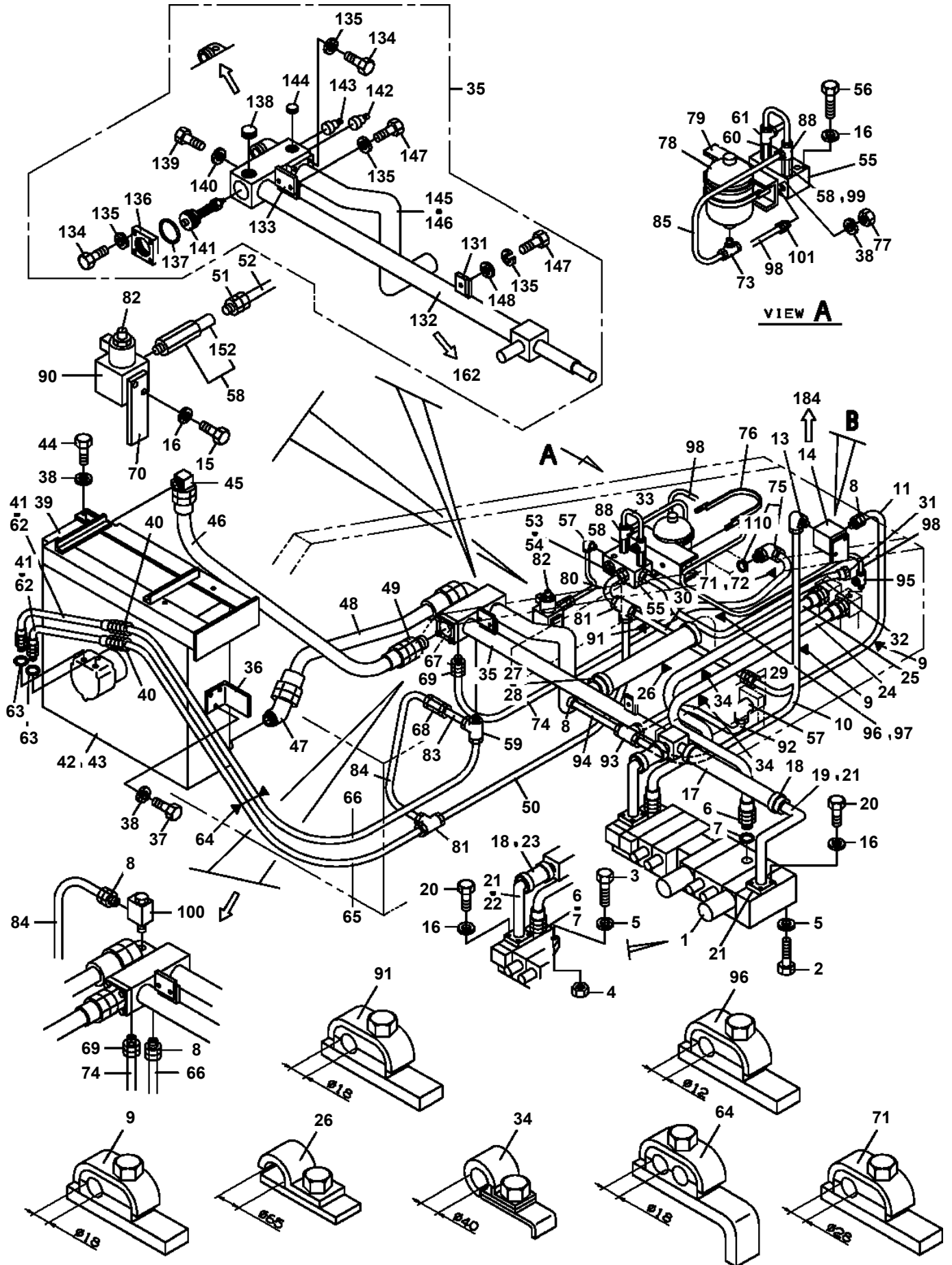
TR-250M-4-00108 3 BOOM + JIB,3M3D

Pos No.	Parts No	Parts Name	Qty	Unit	Technical Data	Serial No (Start)	Serial M
1	36650685010	SEAL KIT (REPAIR KIT)	1				
2	36650685020	GEAR ASSY	1				
5	36650680000	PUMP,HYDRAULIC (EMERGENCY STEERING)	1				

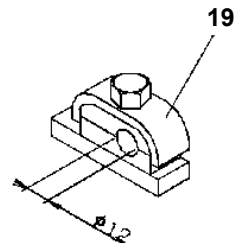
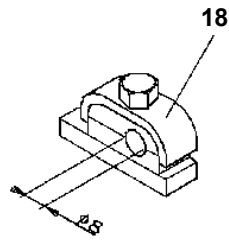
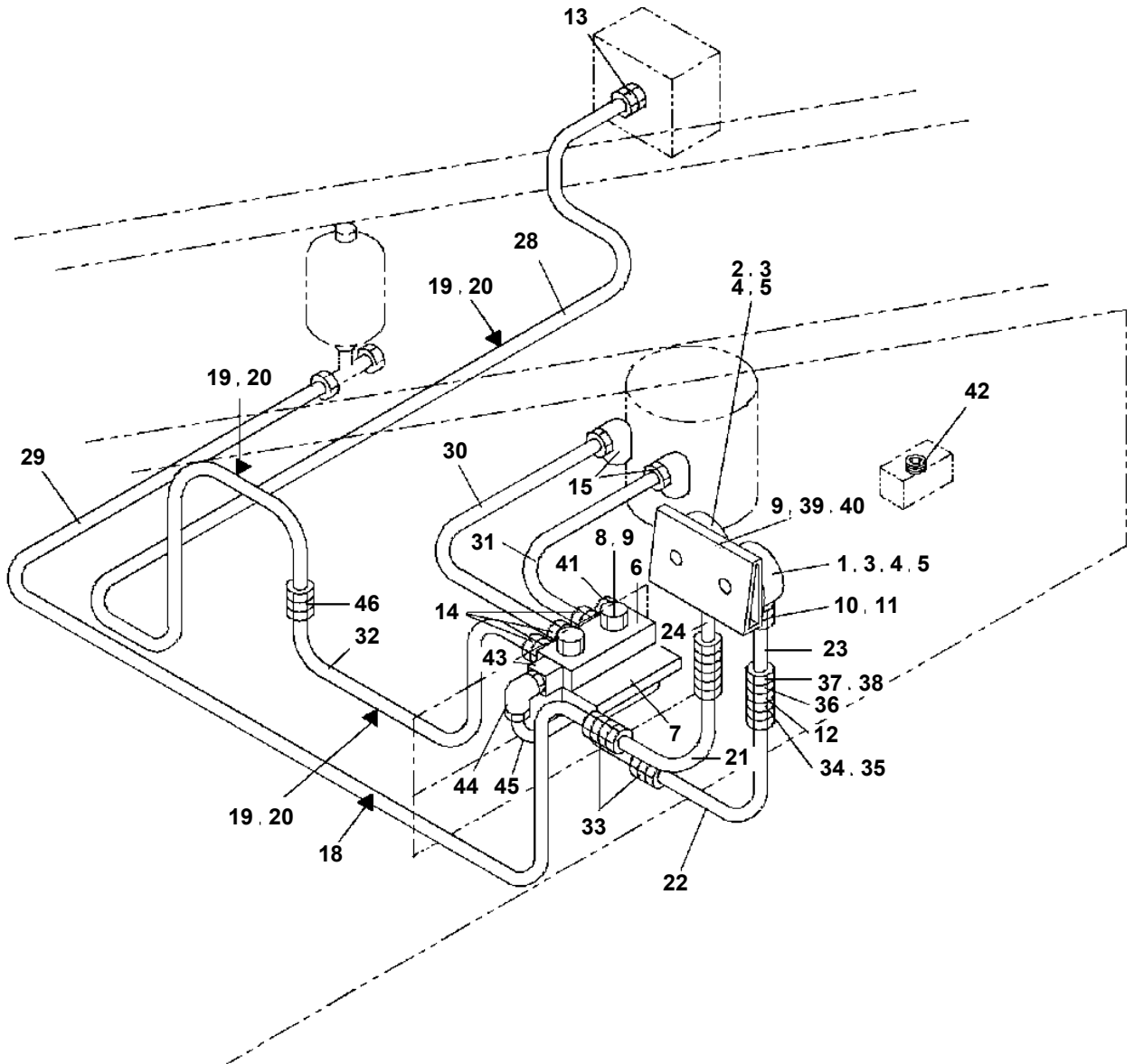
TR-250M-4-00108 3 BOOM + JIB,3M3D

Pos No.	Parts No	Parts Name	Qty	Unit	Technical Data	Serial No (Start)	Serial No (End)	Remarks
1	33660000211	GAUGE,OIL	1					
3	34660180040	PACKING	1		T=2.0			
4	34660100030	COVER	1					
10	36671310000	FILTER,OIL (TANK,OIL)	1					
11	80205001000	PLUG	1		PT1			
21	33660007530	BOLT	2					
22	34660131140	PACKING	4					
31	33660007511	ELEMENT	1					
32	33660007520	PACKING SET	1					
45	36672870000	BREATHER ASSY (OBR-30)	1					
46	99164010025	BOLT	4		M10X25			
47	99164008020	BOLT (M8X20)	8					
57	36672875040	KEY	2					
100	34660100000	TANK,OIL	1					

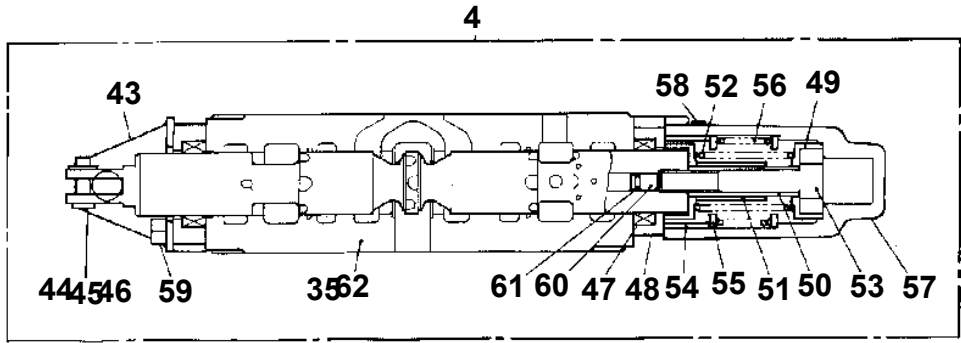
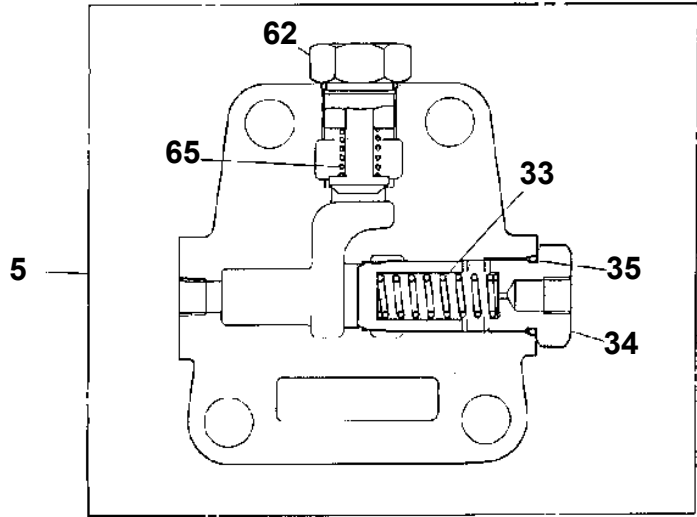
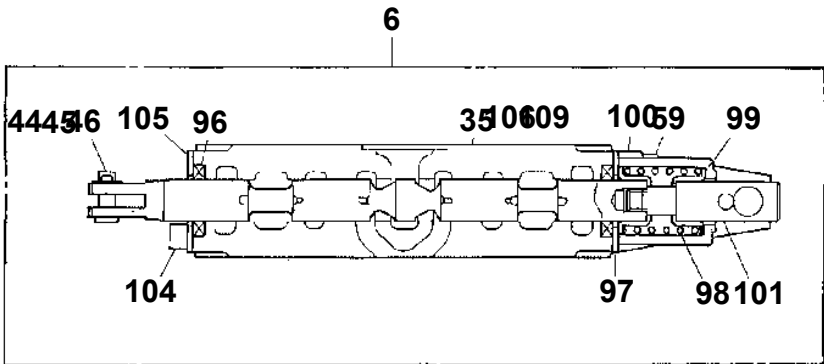
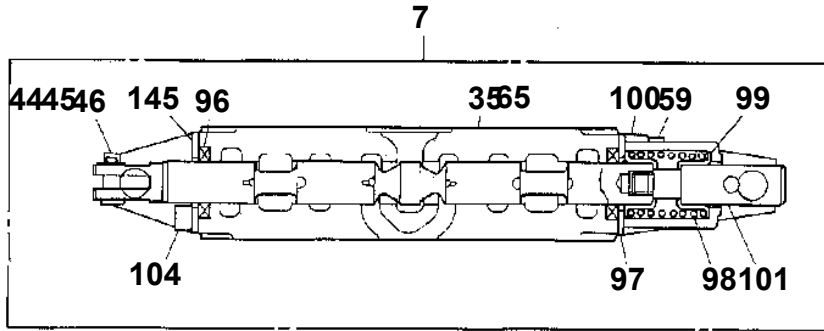
**TR-250M-4-00108 3 BOOM + JIB,3M3D
PB1260068-01 PIPING,UPPER RETURN**



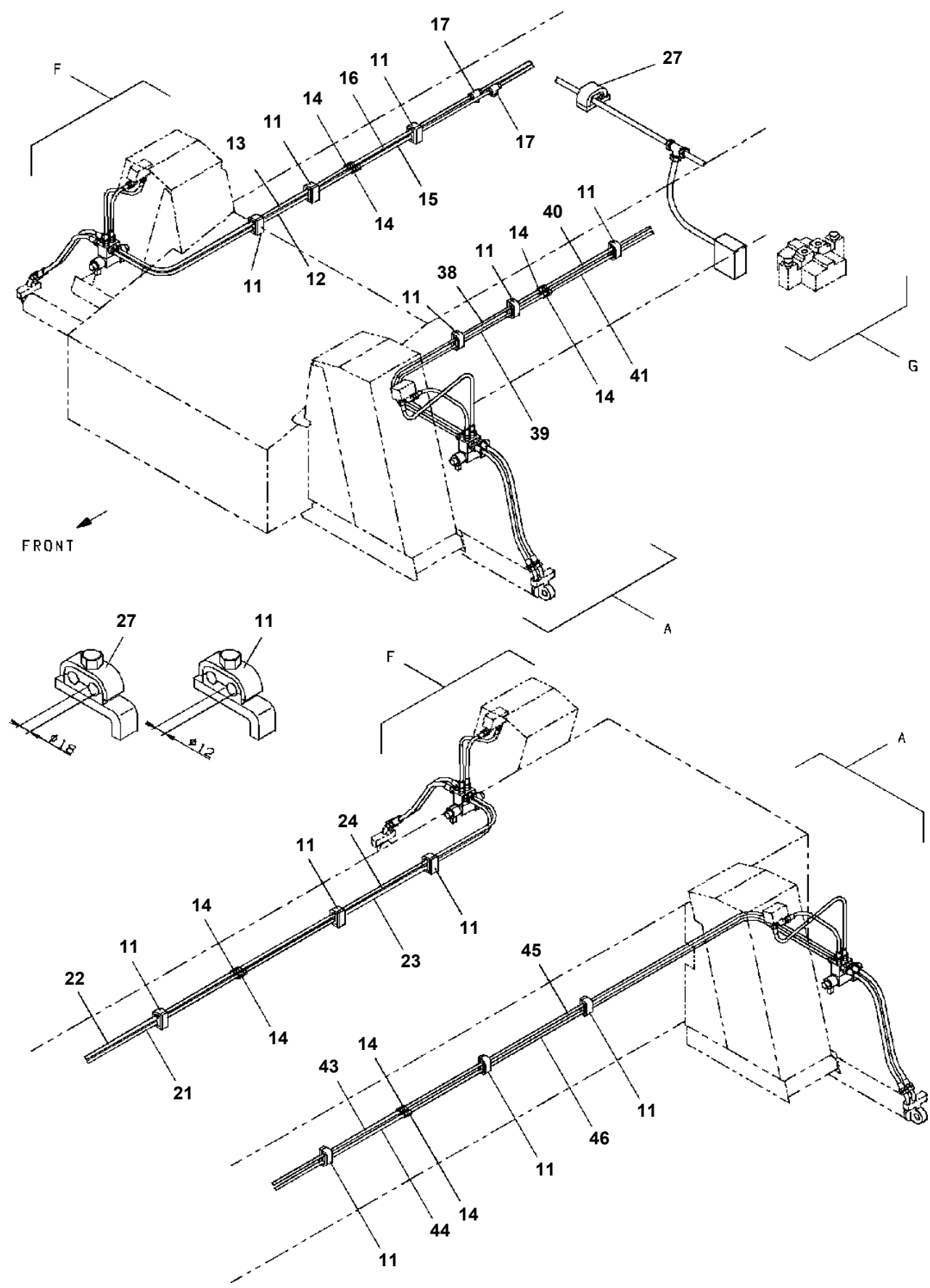
TR-250M-4-00108 3 BOOM + JIB,3M3D
PB1280028-00 PIPING,GAUGE



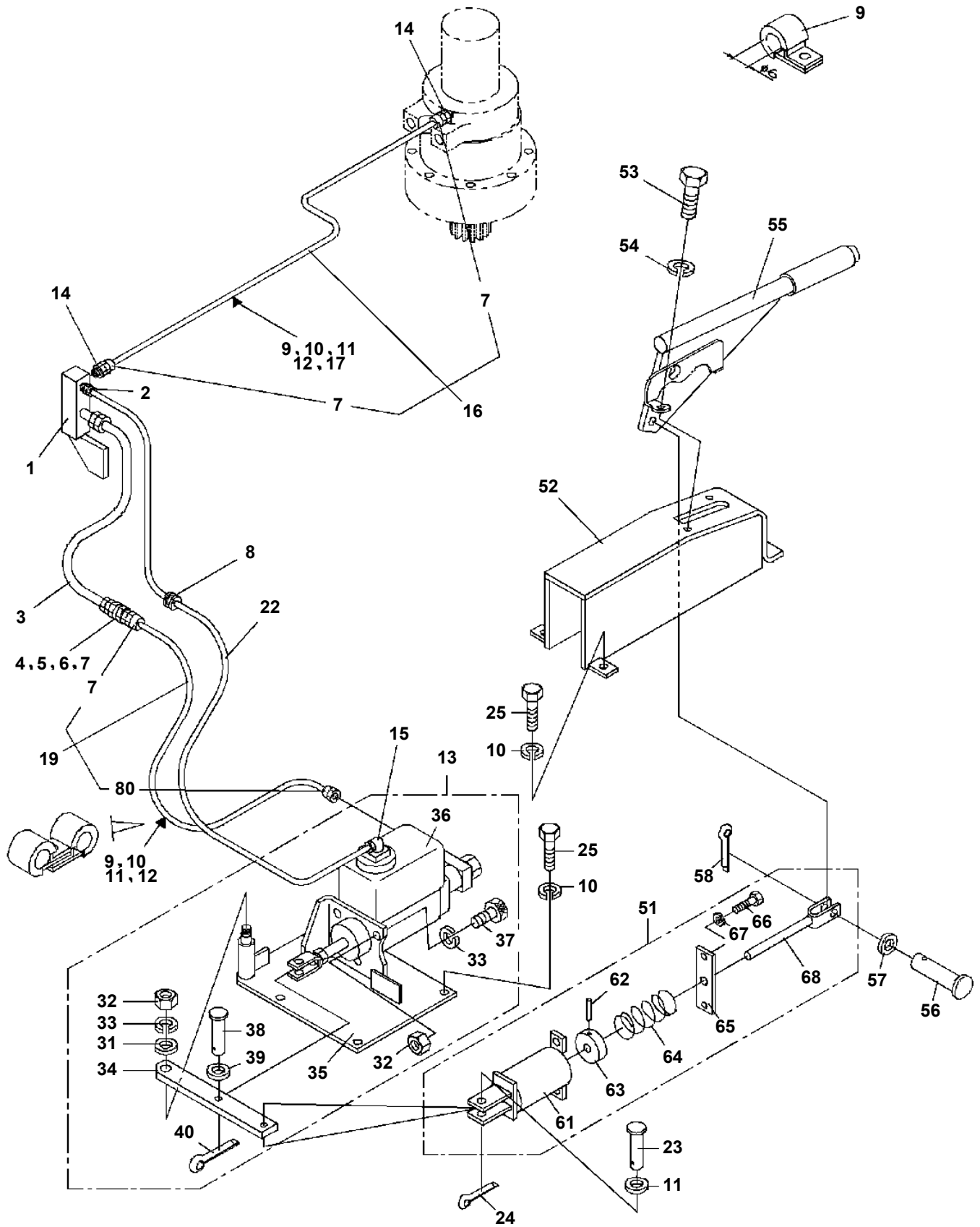
TR-250M-4-00108 3 BOOM + JIB,3M3D
 PB1320138-00 VALVE,MANUAL CONTROL (3M3D,SPR. CENTER)



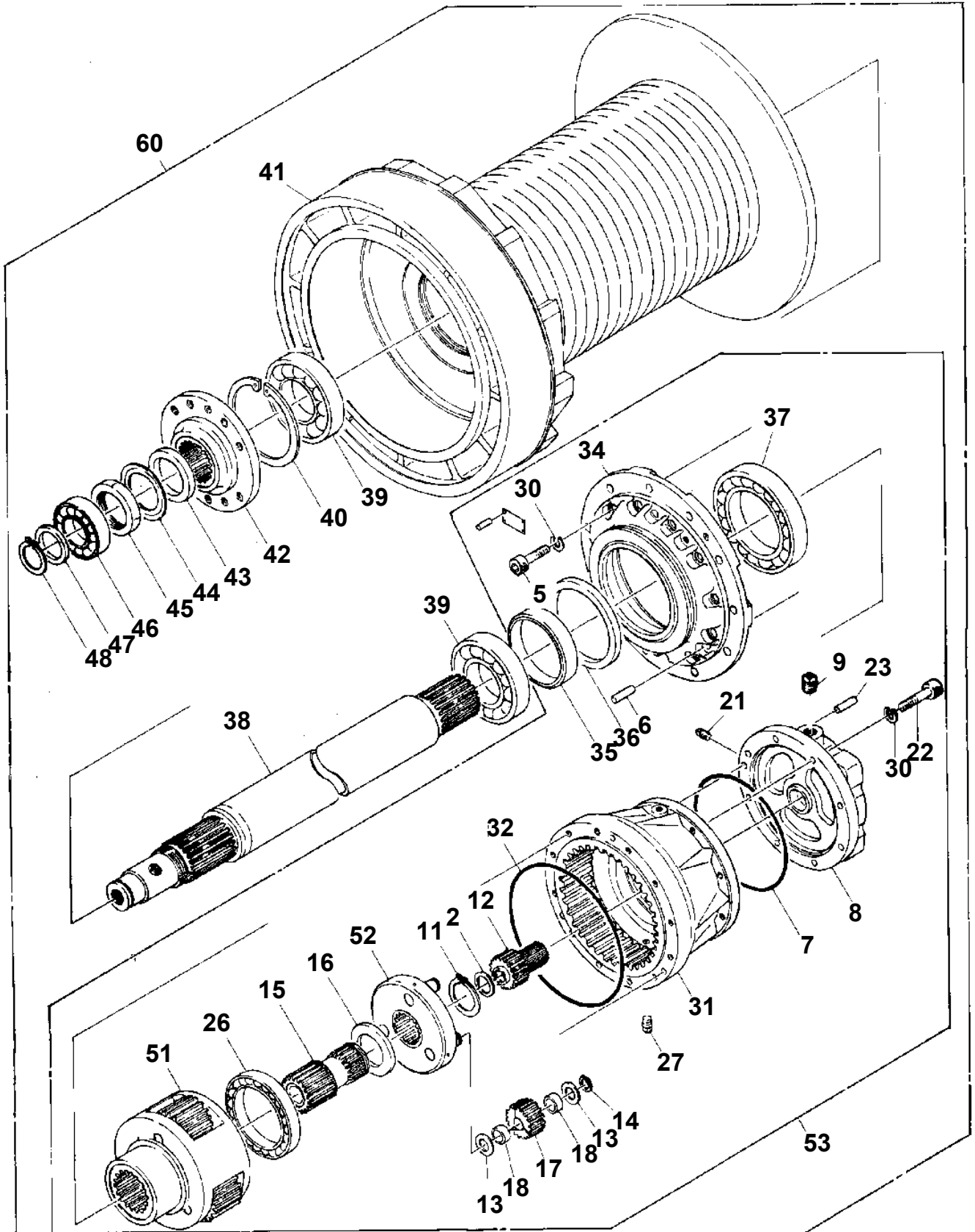
TR-250M-4-00108 3 BOOM + JIB,3M3D
PC1200074-00 PIPING,OUTRIGGER



TR-250M-4-00108 3 BOOM + JIB,3M3D
PD1100016-01 OPERATION SYSTEM, SWING BRAKE

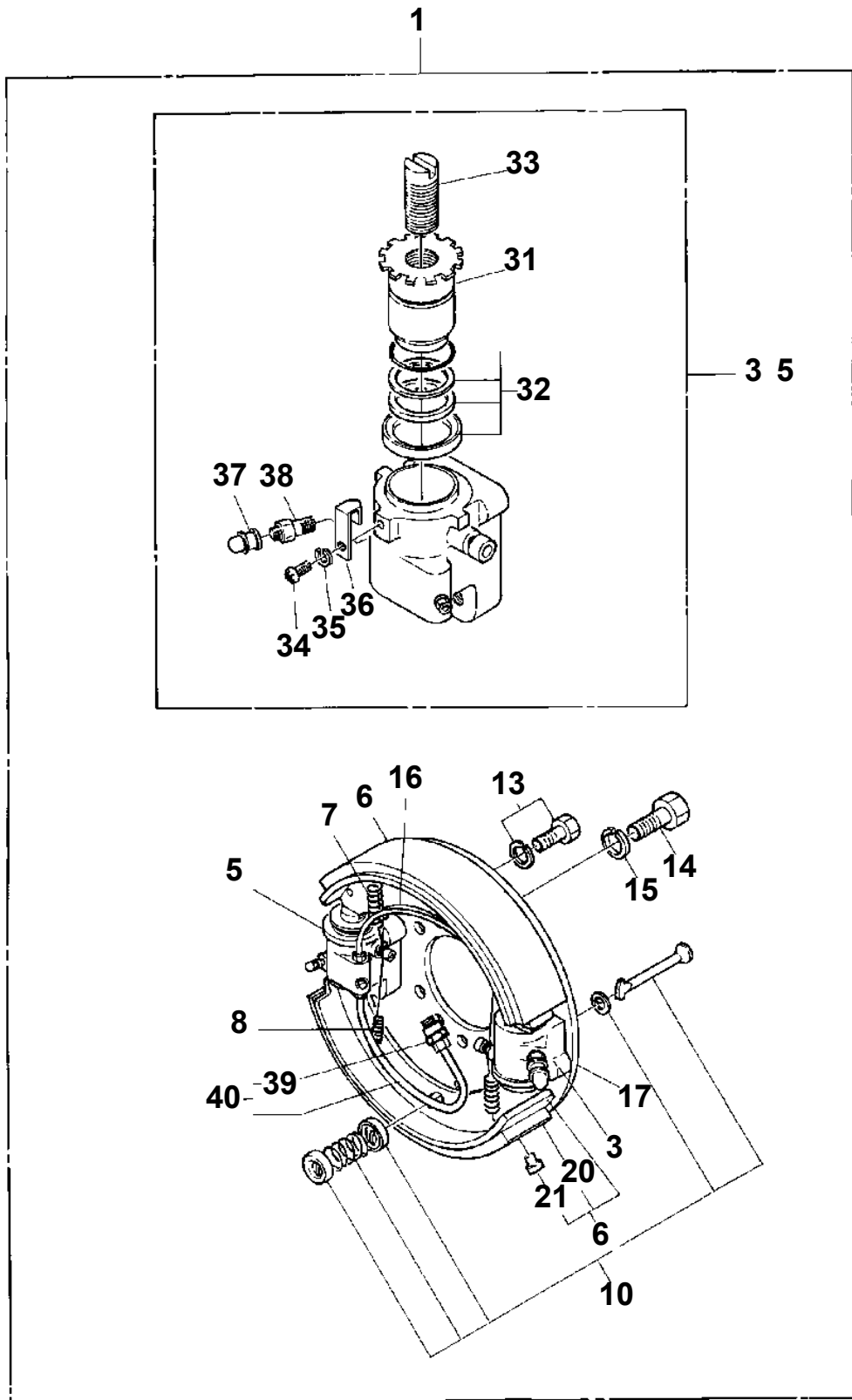


TR-250M-4-00108 3 BOOM + JIB,3M3D
 PF1010021-01 WINCH

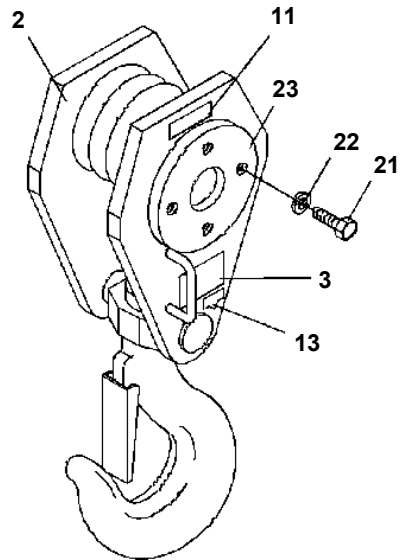
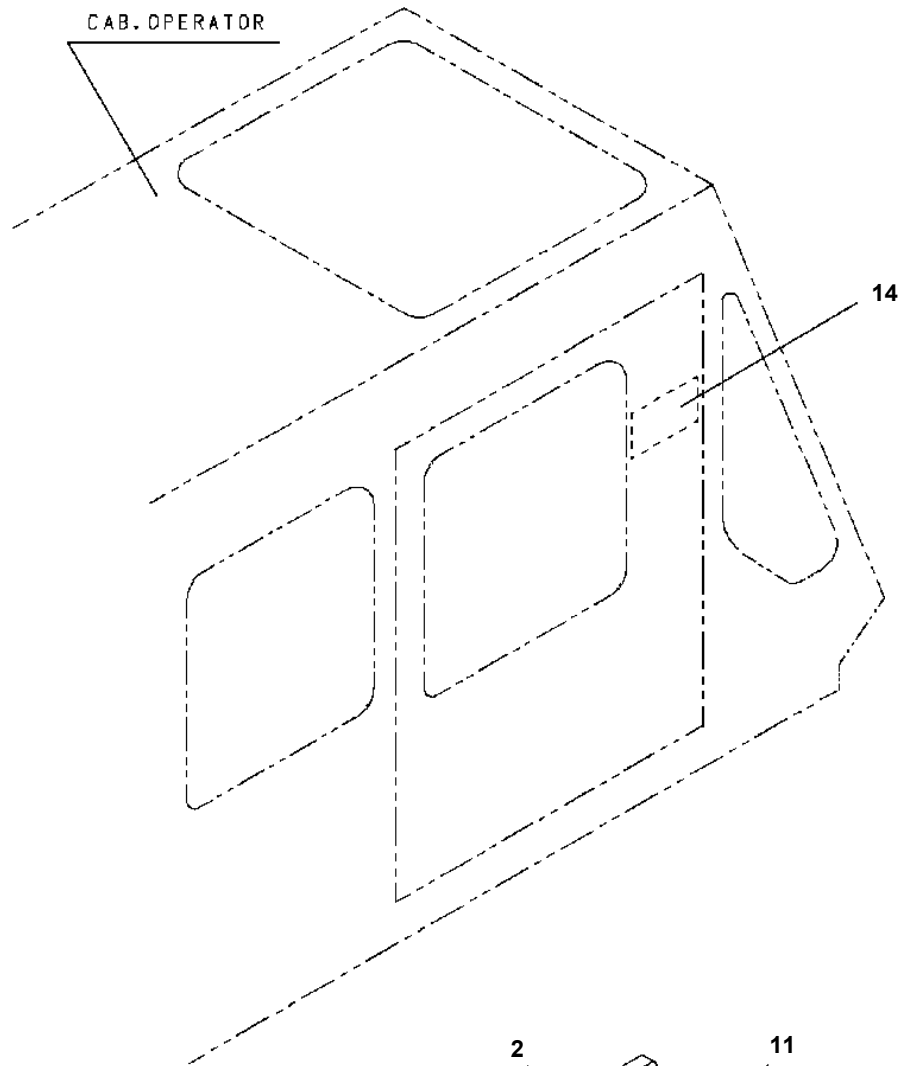


本イラスト中の○印部品は、仕様によっては使用されていない場合があります。
 The parts marked by ○ may not be used, depending on machine specifications.

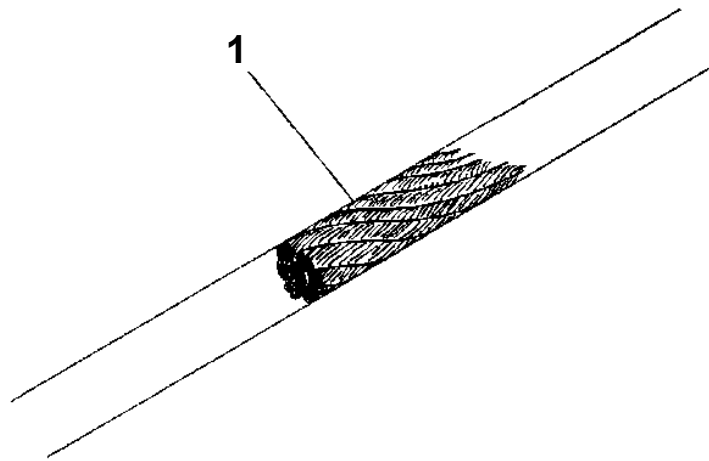
TR-250M-4-00108 3 BOOM + JIB,3M3D
PF1030014-02 CLUTCH,WINCH



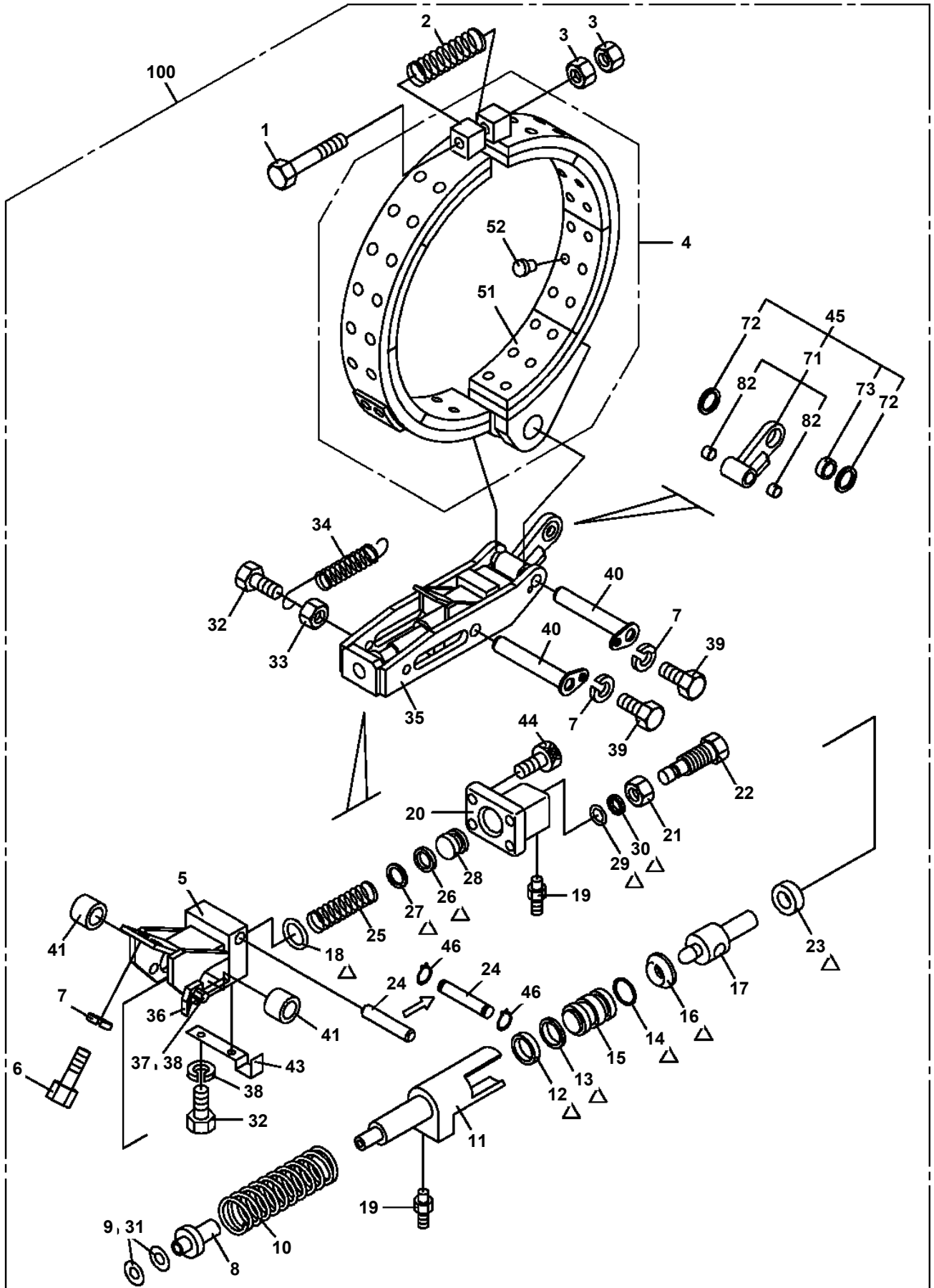
TR-250M-4-00108 3 BOOM + JIB,3M3D
PF1050104-01 HOOK (4-PART LINE, OPTION)



TR-250M-4-00108 3 BOOM + JIB,3M3D
PF1070031-00 ROPE,WIRE (TESAC)

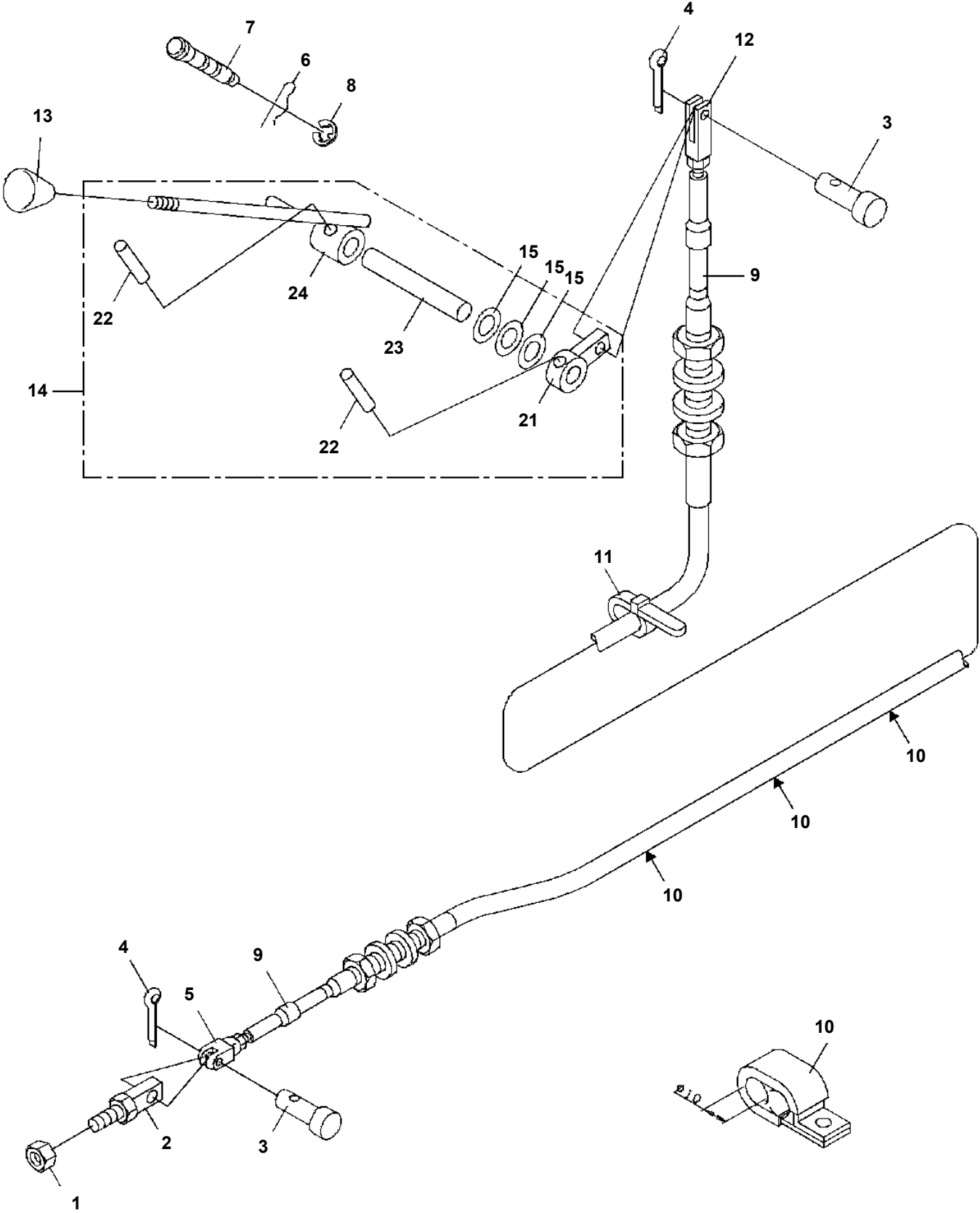


**TR-250M-4-00108 3 BOOM + JIB,3M3D
PF1120004-04 BAND,WINCH BRAKE**

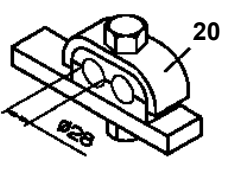
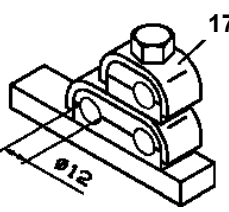
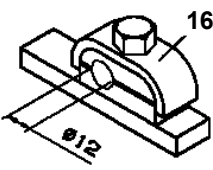
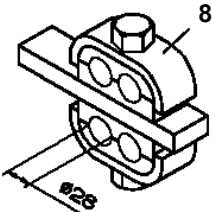
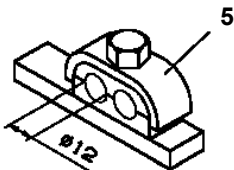
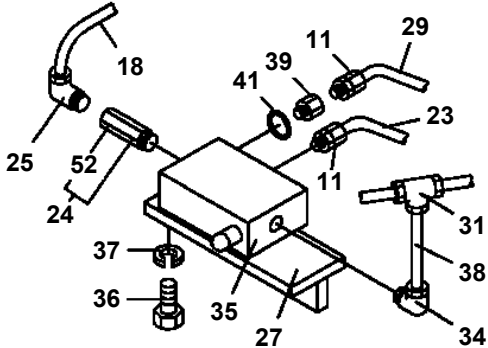
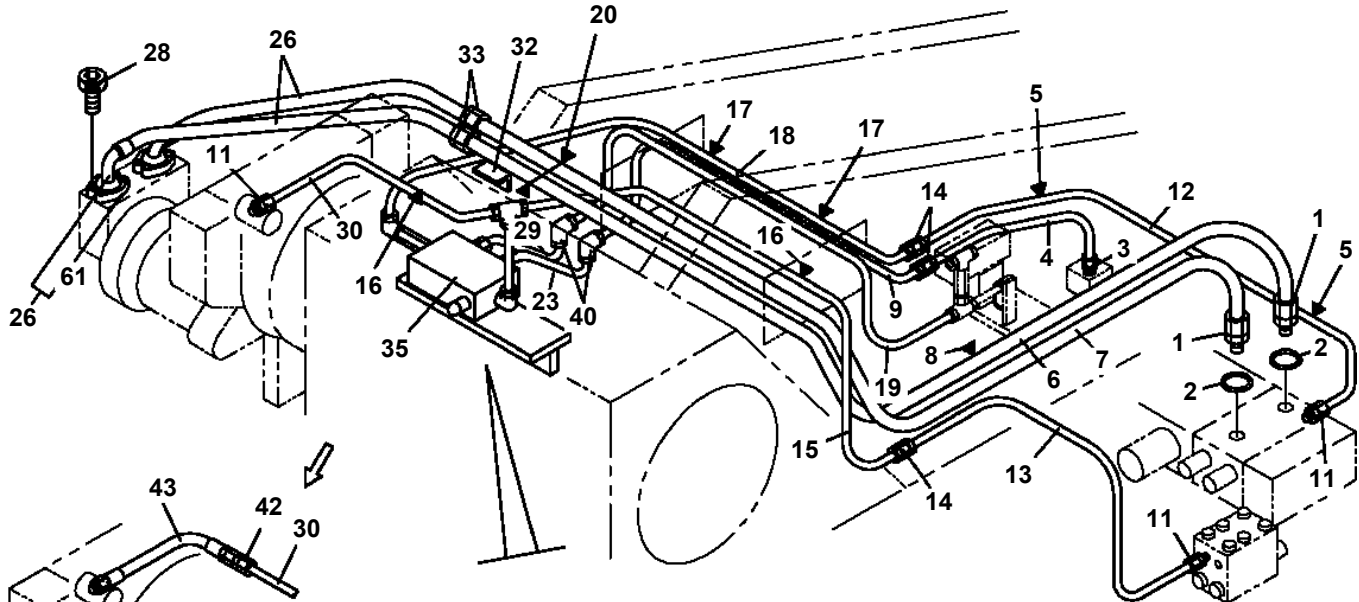


△:PACKING SET KEY NO. 90 (KEY NO.12,13,14,16,18,23,26,27,29,30)

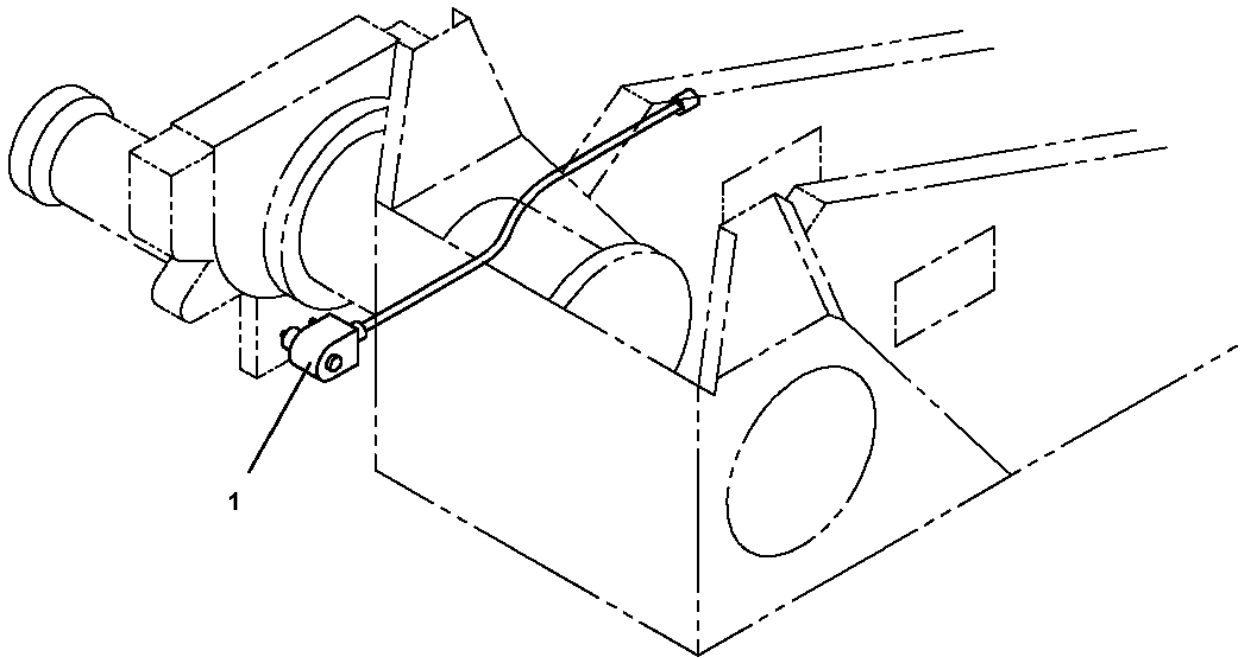
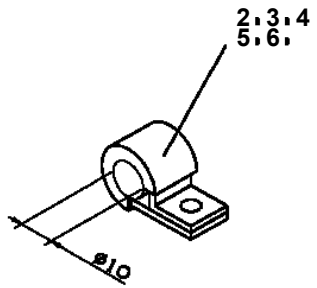
TR-250M-4-00108 3 BOOM + JIB,3M3D
PF1160020-01 OPE.ASSY,CLUTCH (AUX.)



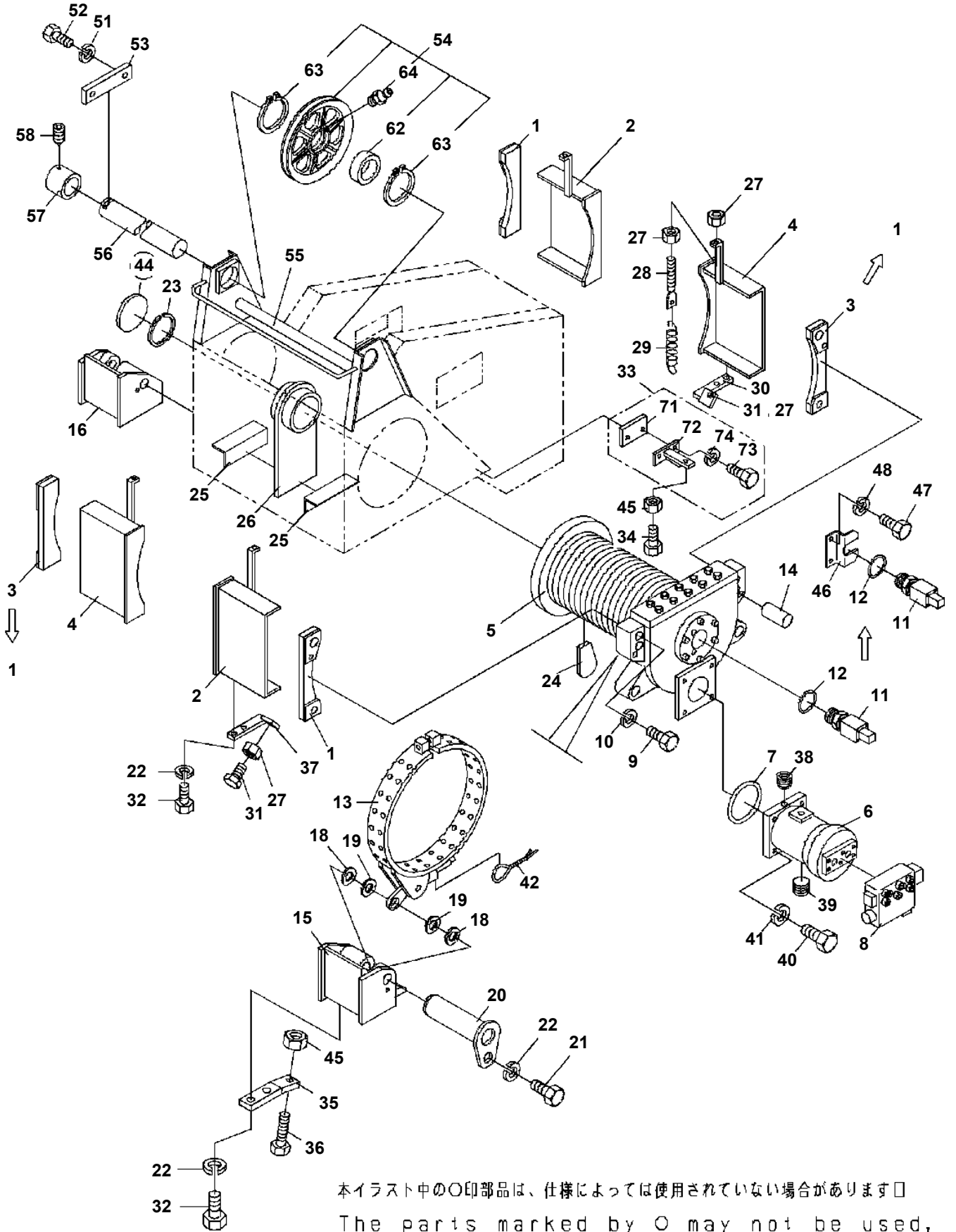
TR-250M-4-00108 3 BOOM + JIB,3M3D
PF1200050-02 PIPING,WINCH (AUX.)



TR-250M-4-00108 3 BOOM + JIB,3M3D
PF1250012-00 DETECTOR,DRUM ROTATION (AUX.)



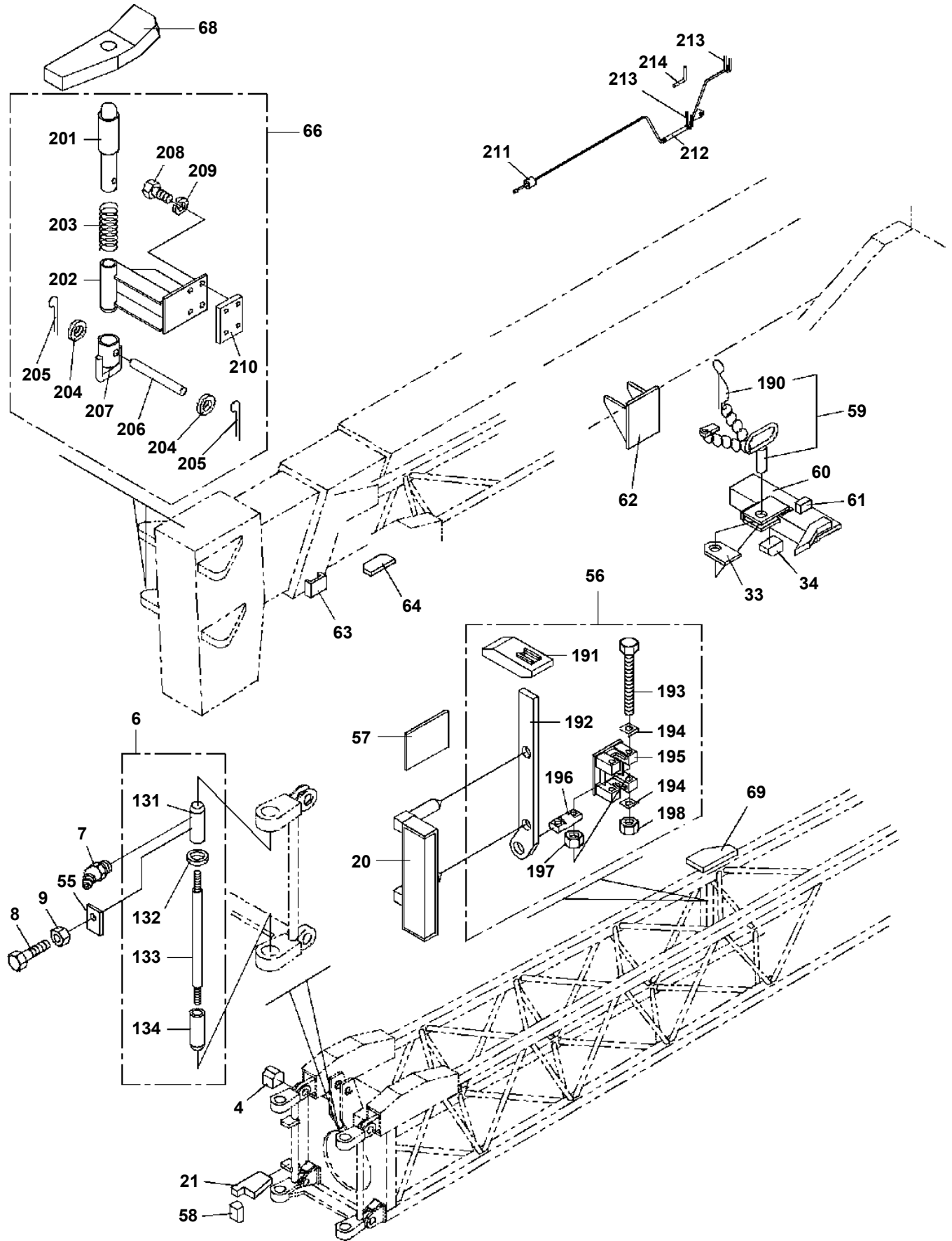
**TR-250M-4-00108 3 BOOM + JIB,3M3D
PF1400051-01 MOUNT,WINCH (MAIN)**



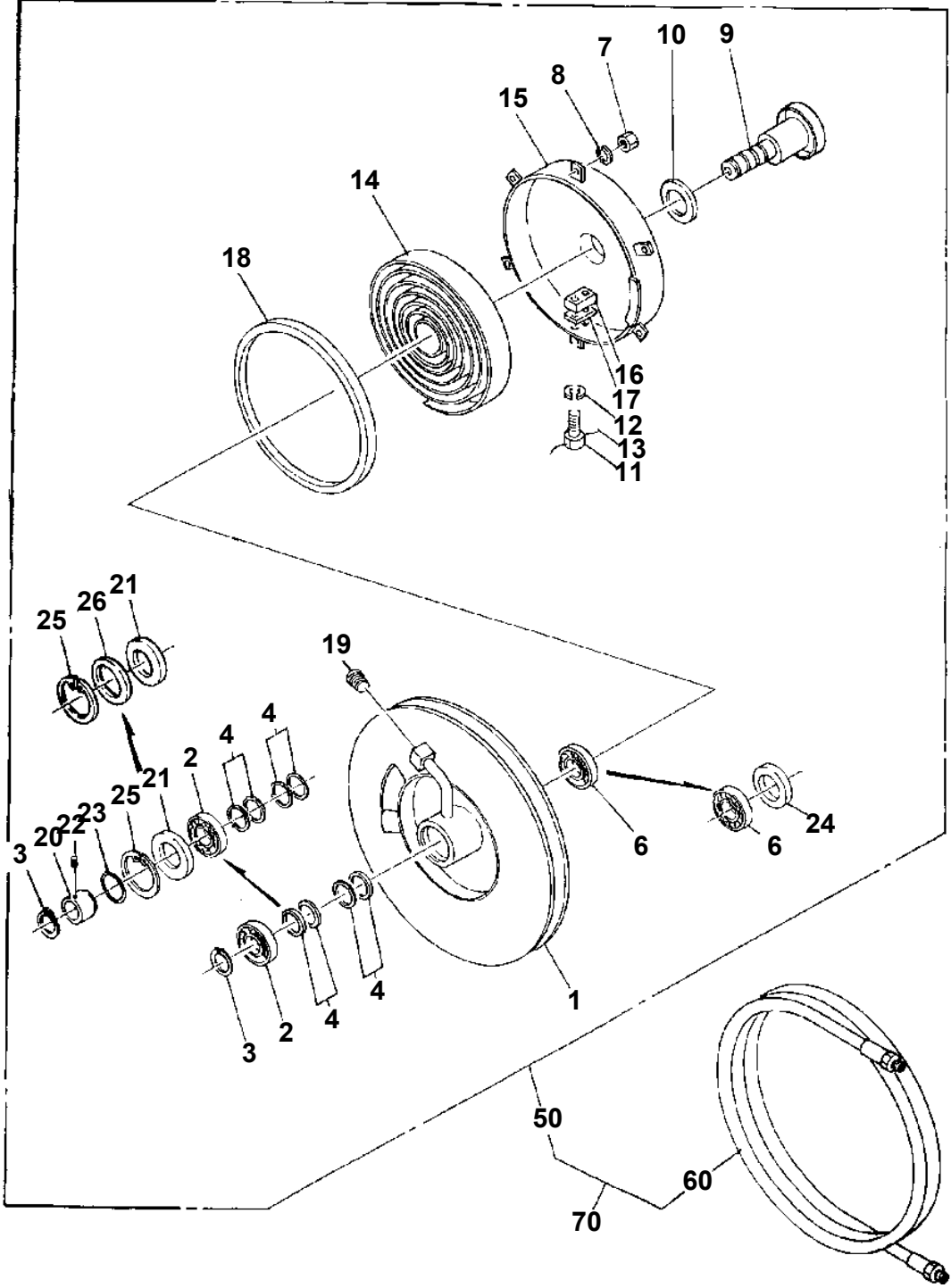
本イラスト中の○印部品は、仕様によっては使用されていない場合があります○

The parts marked by ○ may not be used, depending on machine specifications.

TR-250M-4-00108 3 BOOM + JIB,3M3D
PG1040075-00 JIB



TR-250M-4-00108 3 BOOM + JIB,3M3D
PG1070180-04 REEL,HOSE



TR-250M-4-00108 3 BOOM + JIB,3M3D

Pos No.	Parts No	Parts Name	Qty	Unit	Technical Data	Serial No (Start)	Serial No (End)	Remark
1	(*****)	REEL,HOSE	1					
2	36641300000	VALVE,HYDRAULIC	1					
3	34341052200	SUPPORT	1					
5	37000903010	FITTING,FLANGE	1					
6	80303030140	FITTING,ELBOW	1		KLN12-020N			
7	91002902500	O-RING	2		1B G25			
8	90131510030	BOLT,HEXAGON SOCKET	12		M10X30			
9	90302041001	WASHER,SPRING	12		10			
10	90101210025	BOLT	4		M10X25			
11	80302090281	FITTING	1		KCO22-060N			
12	91002802400	O-RING	2		1B P24			
13	80302010140	FITTING	1		C717KCT12-020N			
14	80430620800	JOINT	1					
16	80400160133	JOINT	1					
17	37000908840	JOINT	1		L,G1/2-22			
18	37002412790	HOSE	1		L=1120			
19	37002421940	HOSE	1		L=1120			
20	37002412820	HOSE	1		L=1120			
21	81408000290	PIPE,STEEL	3	M	22X2.5T			
22	81408000160	PIPE,STEEL	1	M	12X1.4T			
23	37002422080	HOSE	1		L=670			
24	81408000290	PIPE,STEEL	2	M	22X2.5T			
26	37000707740	CLAMP ASSY	1					
27	37000300780	SLEEVE	5		28-22			
29	37000704850	CLAMP ASSY	1					
30	37000906830	JOINT	1		L,3/4-22			
31	37000702370	CLAMP ASSY	1					
32	37000702170	CLAMP ASSY	2					
33	37000914880	FITTING,FLANGE	1					
34	80301010200	FITTING	1		KUA22-000N			
35	81408000290	PIPE,STEEL	2	M	22X2.5T			
40	91002801800	O-RING	1		1B P18			
41	91000521900	O-RING	1		AS568-219-1B			

TR-250M-4-00108 3 BOOM + JIB,3M3D

Pos No.	Parts No	Parts Name	Qty	Unit	Technical Data	Serial No (Start)	Serial No (End)	Remarks	Pages
1	82100002349	SWITCH,LIMIT	1						
2	34950250100	CAM	1						

TR-250M-4-00108 3 BOOM + JIB,3M3D

Pos No.	Parts No	Parts Name	Qty	Unit	Technical Data	Serial No (Start)	Serial No
1	32370002170	PLATE	1				
2	32370002110	GASKET	1				
3	32370002121	COVER	1				
4	80172303025	SCREW,MACHINE	2		M3X25		
5	90302040301	WASHER,SPRING	2		3		
6	82100001355	SWITCH,LIMIT	1				
7	32370002131	ROD	1				
8	14148373001	SPRING	1				
9	80601110180	RING,RITAINING	1		S18		
10	34371314400	SUPPORT	1				
11	90303070301	WASHER,PLAIN	2		3		
12	82100002505	CONNECTOR (CN-6)	1				
13	82100002506	CONNECTOR	1				
14	32370005200	CORD	1				
15	32370005210	CORD	1				
16	82100000592	TERMINAL (M40.3 TO 1.25)	2				
17	89630201000	HOSE,VINYL	1		6X8,1M		
18	14148375000	GROMMET	1				
19	90101208045	BOLT	2		M8X45		
20	90302040801	WASHER,SPRING	2		8		
22	82100001220	INSULATOR	2				
30	32370009512	ROD ASSY	1				
31	32370002150	SPACER	1		L=12 TO 11		
32	80720103014	PIN,SPRING	1		3X14		
50	33370888040	SWITCH,OVER WIND DETECTOR (JIB&S/T)	1				

TR-250M-4-00108 3 BOOM + JIB,3M3D

Pos No.	Parts No	Parts Name	Qty	Unit	Technical Data	Serial No (Start)	Serial No (End)	Remarks	Page
1	82104501220	SWITCH,LIMIT	1						
2	82100002341	SWITCH,LIMIT (R/Y)	2						
3	34360620100	CAM	4						
4	90730006120	SCREW,SET	4		M6X12				
5	82100002340	SWITCH,LIMIT (W/Y)	1						

TR-250M-4-00108 3 BOOM + JIB,3M3D

Pos No.	Parts No	Parts Name	Qty	Unit	Technical Data	Serial No (Start)	Serial No (End)
1	36661620000	MOTOR,HYDRAULIC	1				
2	36601800000	VALVE,COUNTERBALANCE (TOSHIBA)	1				
12	36660975010	SEAL,OIL	1				
13	36661625010	O-RING	1				
14	36661625020	SHIM	N				
15	36660975040	BEARING,ROLLER	1				
16	36660975050	O-RING	1				
18	36660975060	O-RING	2				
22	36660975070	RING,TEFLON	9				
23	36661625030	SHOE	9				
24	36660975090	BEARING,NEEDLE	1				
25	36661625040	PLATE (BALANCE)	1				
26	36660095150	PIN (STRAIGHT)	2				
28	36661625050	SPRING	4				
29	36661625060	RING,TEFLON	4				
30	36661625070	BUSH	4				
31	34310117640	BOLT	8				
32	90302041201	WASHER,SPRING	8		12		
33	36661625080	BOLT	4				
34	36660975150	903-020-40601	4				
35	36661625090	RETAINER (PLATE)	1				
36	36661625100	SPACER	1				
37	36660975180	PLATE (RETURN)	1				
38	36660975190	SPACER	1				
40	90131512025	BOLT,HEXAGON SOCKET	8		M12X25		
41	90302040801	WASHER,SPRING	6		8		
42	36660975200	BOLT	6				
50	36660660000	MOTOR,HYDRAULIC (TOSHIBA)	1				

TR-250M-4-00108 3 BOOM + JIB,3M3D

Pos No.	Parts No	Parts Name	Qty	Unit	Technical Data	Serial No (Start)	Serial No (End)	Remarks	Pages
1	36050015010	CYLINDER	1						
2	36050015020	CAP	1						
3	80601110180	RING,RITAINING	1		S18				
4	36050015030	WASHER	1						
5	36050015040	FILTER	1						
6	36050015050	SCREW,TAPPING	1						
7	36050015060	BODY	1						
8	36050015070	PISTON	1						
9	36050015080	ROD	1						
10	36060055050	PACKING	1						
11	36050015090	CAP (CYLINDER)	1						
12	90302040801	WASHER,SPRING	1		8				
13	90203200800	NUT	3		M8				
14	36050015100	JOINT	1						
15	36050015110	O-RING	1						
16	36050015120	BOOT	1						
30	36050010000	CYLINDER,AIR	1						

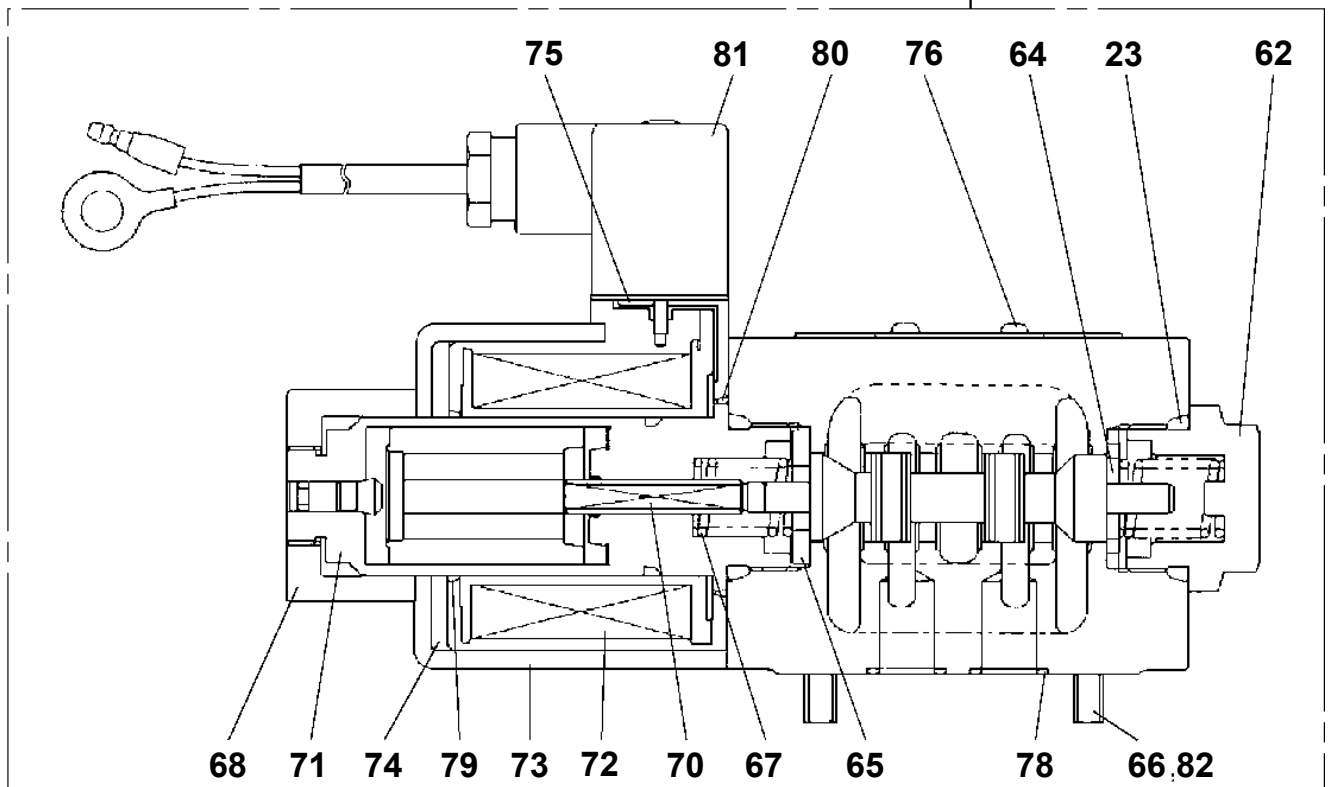
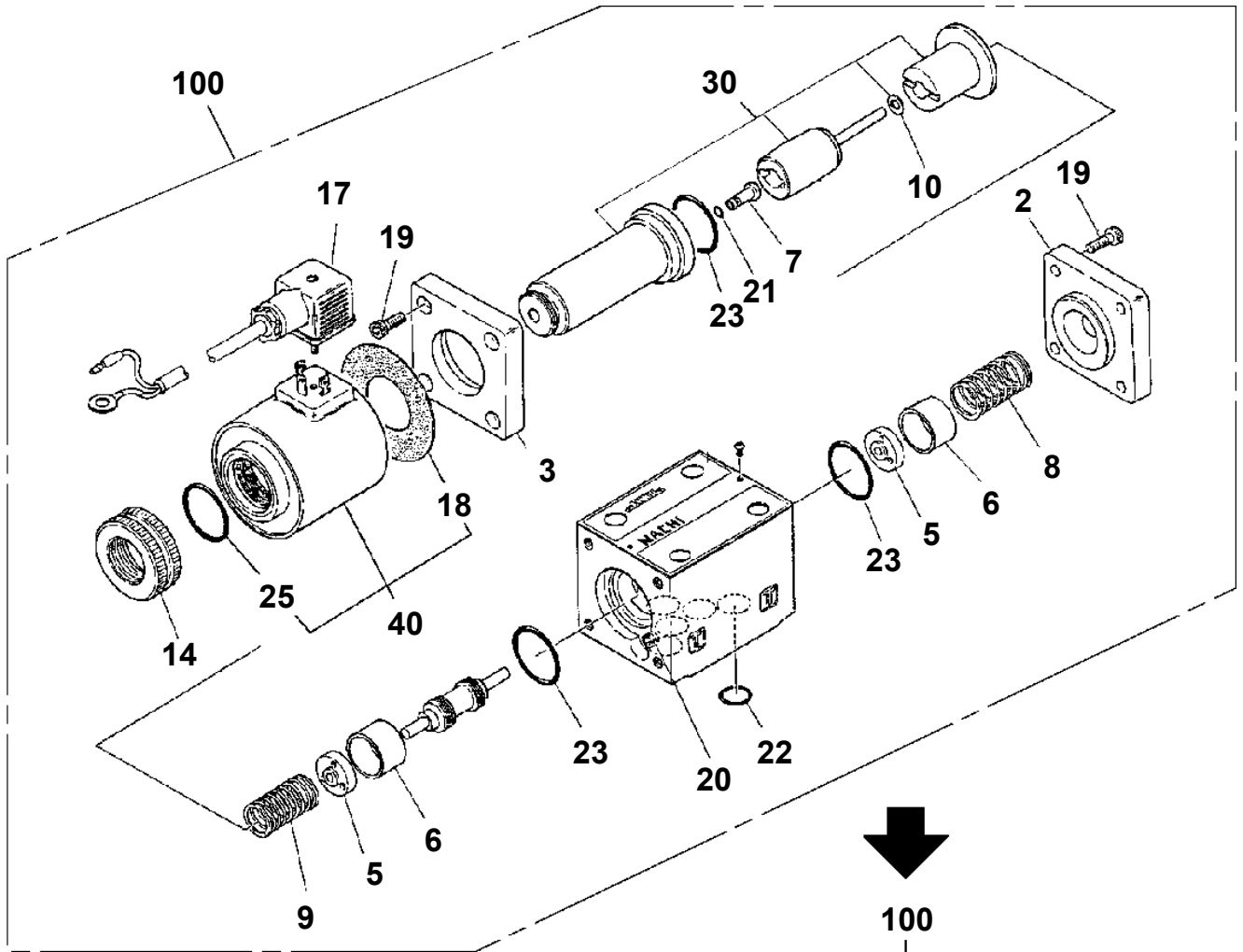
TR-250M-4-00108 3 BOOM + JIB,3M3D

Pos No.	Parts No	Parts Name	Qty	Unit	Technical Data	Serial No (Start)	Serial No (End)	Remarks
1	36640450000	VALVE,SOLENOID	1					
3	36640015030	PLUG	1		1/4			
4	36640015040	SPRING	1					
6	91002801100	O-RING	1		1B P11			
7	91001101200	O-RING	1		1A P12			
8	90131504065	BOLT,HEXAGON SOCKET	4		M4X65			
12	82100000279	TERMINAL	1					
15	36640015021	SOLENOID	1					

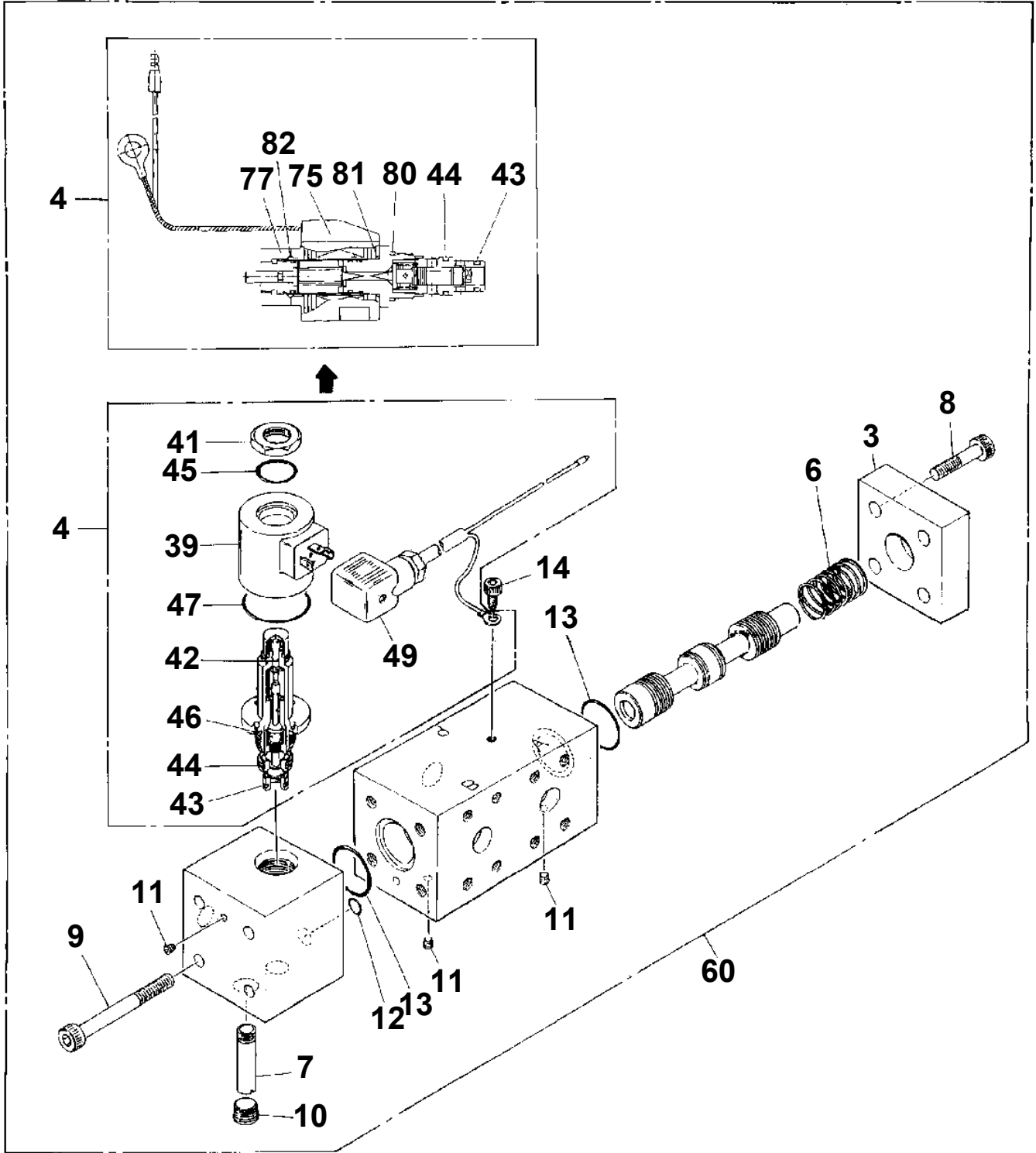
TR-250M-4-00108 3 BOOM + JIB,3M3D

Pos No.	Parts No	Parts Name	Qty	Unit	Technical Data	Serial No (Start)	Serial No (End)	Remarks
1	36641835020	VALVE,SOLENOID	1					
2	36641835030	VALVE,SOLENOID	1					
3	36641835040	PLATE (SUB)	1					
4	36641835050	BOLT,HEXAGON SOCKET	8		M6X70			
5	36641835060	PLUG	4		TPHA-1/4			
33	91002802800	O-RING	4		1B P28			
82	36645265010	PLUG	1					
84	36640255090	RETAINER	3					
85	36641835070	RETAINER (B)	1					
86	36645265100	SPACER	8					
87	36641835080	SPRING (C)	2					
88	36643615010	NUT	3					
90	36640255100	ROD	3					
91	36640255110	GUIDE (SOLENOID)	3					
92	36643615030	COIL,SOLENOID	3					
93	36643615040	CASE (COIL)	3					
94	36643615050	YOKE (COIL)	3					
95	36642715050	PACKING	3					
98	36643615060	O-RING	10					
99	36643615070	O-RING	3					
100	36643615080	O-RING	3					
101	36643635050	CONNECTOR	3					
125	36645705010	SPRING (C)	2					
200	36641830000	VALVE,SOLENOID	1					

**TR-250M-4-00108 3 BOOM + JIB,3M3D
PI1120210-02 VALVE,SOLENOID**



TR-250M-4-00108 3 BOOM + JIB,3M3D
PI1130029-00 VALVE, HYDRAULIC



CLICK HERE TO **DOWNLOAD** THE COMPLETE MANUAL

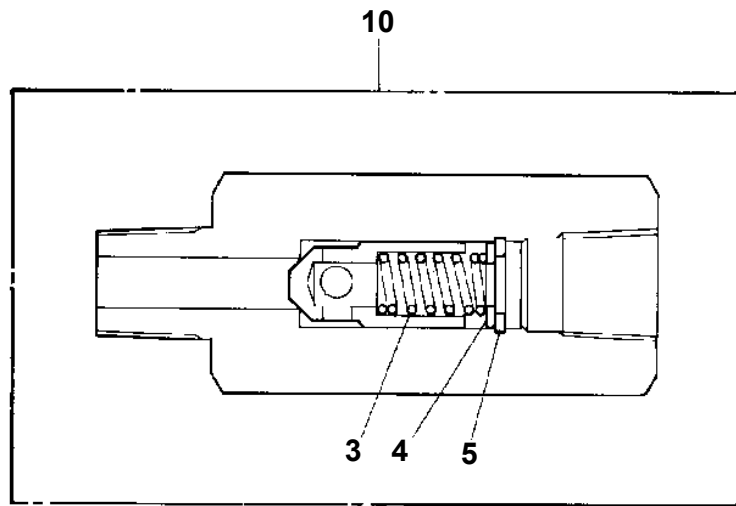
- Thank you very much for reading the preview of the manual.
- You can download the complete manual from: www.heydownloads.com by clicking the link below



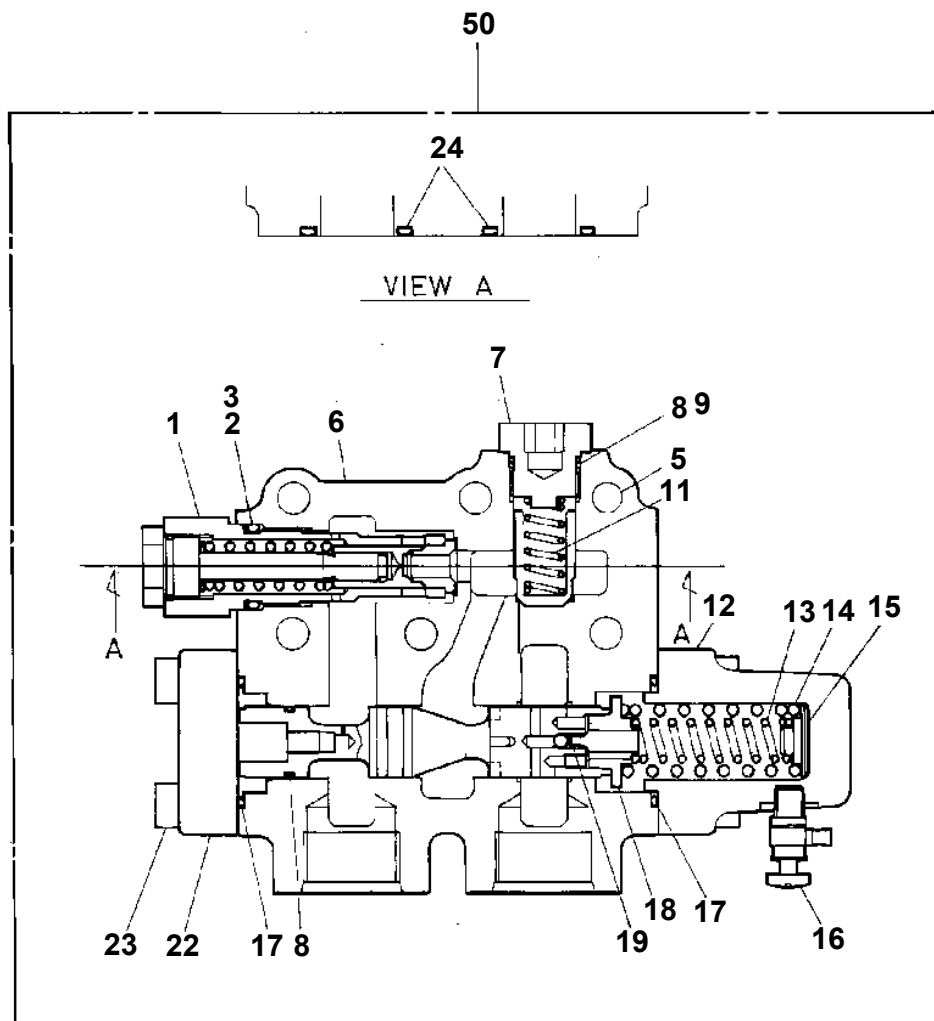
- Please note: If there is no response to CLICKING the link, please download this PDF first and then click on it.

CLICK HERE TO **DOWNLOAD** THE COMPLETE MANUAL

TR-250M-4-00108 3 BOOM + JIB,3M3D
PI1140043-00 VALVE,CHECK

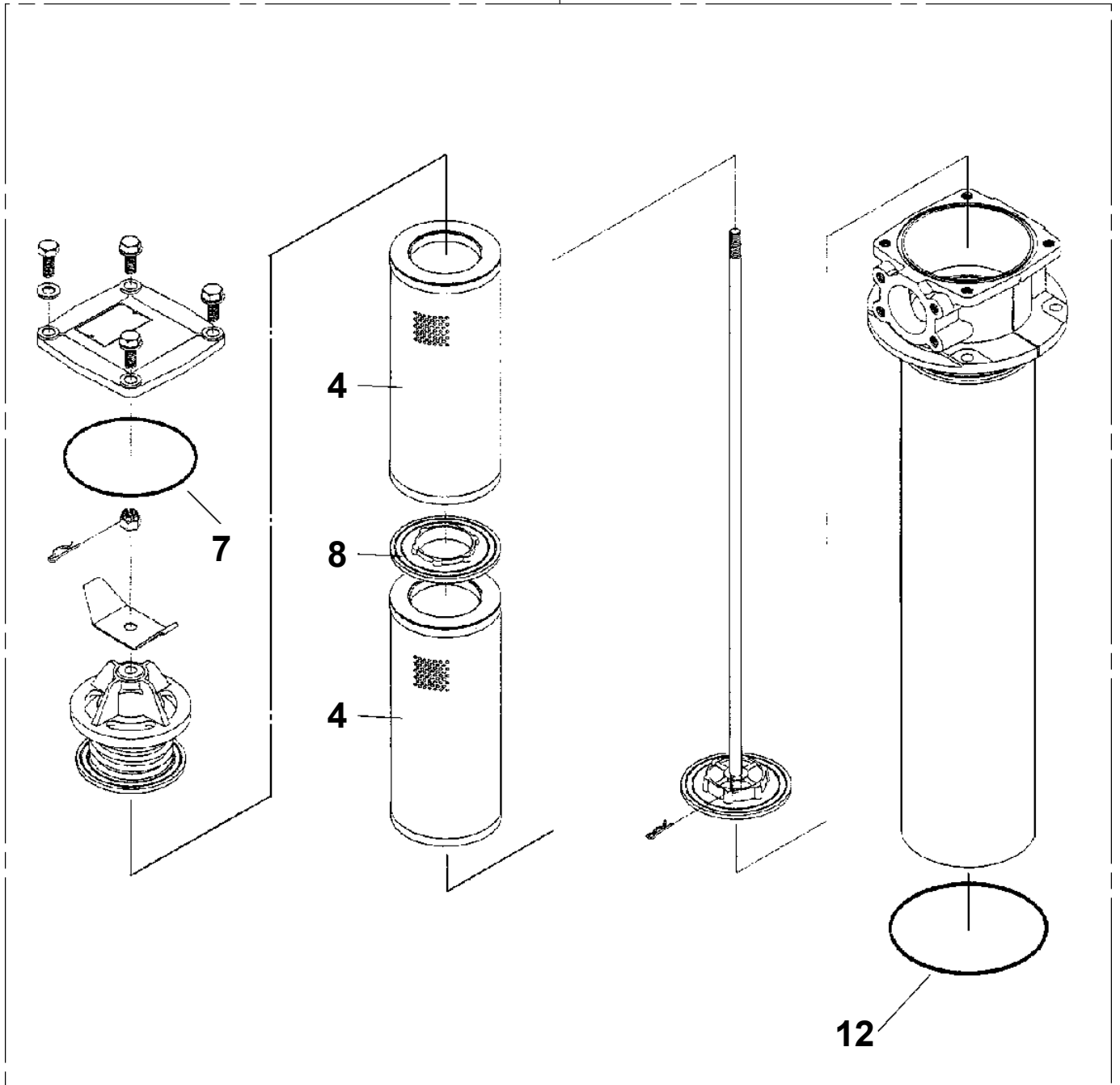


TR-250M-4-00108 3 BOOM + JIB,3M3D
PI1250043-00 VALVE,COUNTERBALANCE (TOSHIBA)

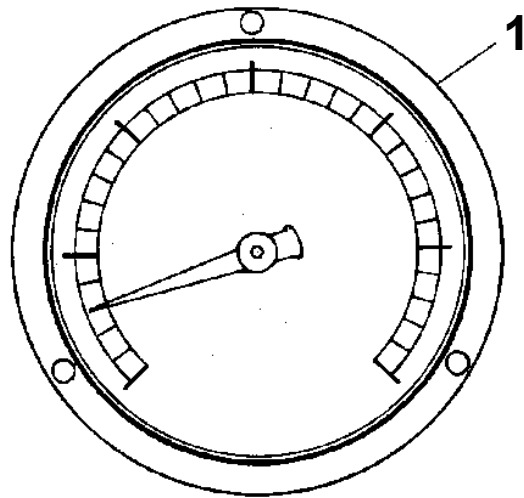


TR-250M-4-00108 3 BOOM + JIB,3M3D
PI1300012-03 FILTER,OIL (TANK,OIL)

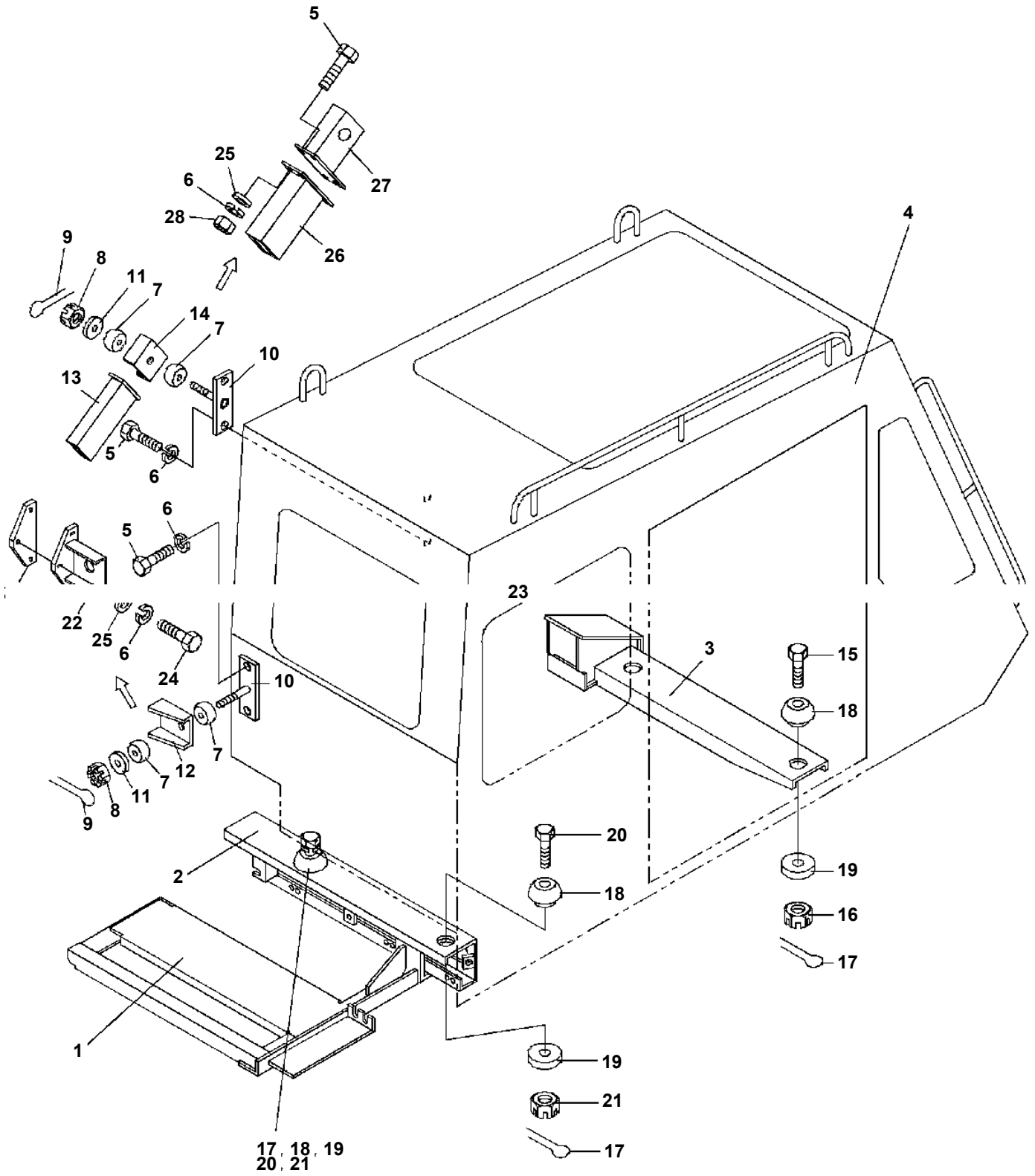
30



TR-250M-4-00108 3 BOOM + JIB,3M3D
PI1420003-02 GAUGE,PRESSURE



TR-250M-4-00108 3 BOOM + JIB,3M3D
PK1140023-01 CAB, OPERATOR



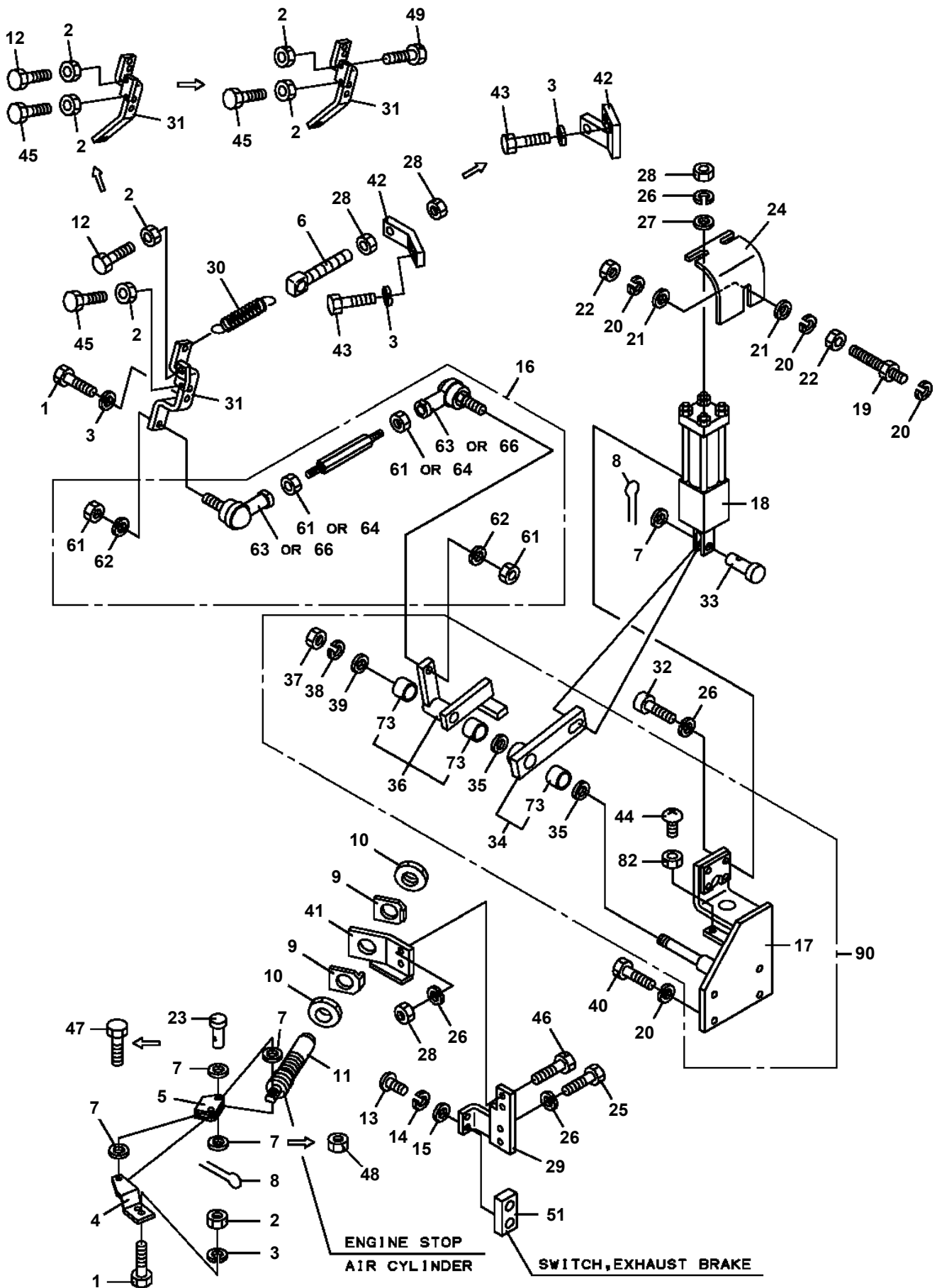
TR-250M-4-00108 3 BOOM + JIB,3M3D

Pos No.	Parts No	Parts Name	Qty	Unit	Technical Data	Serial No (Start)	S
65	34260035320	SPRING (INCLUDE ARM ASSY,SWING)	1				
66	34260035200	BRACKET (SWING ARM)	1				
67	34260035180	ARM ASSY	1				
68	34260035190	ARM ASSY (LOWER)	1				
69	34260239720	COVER (KEY)	1				
70	34260237960	COVER (PACKING)	1				
71	34260237971	COVER (DOOR UNDER)	1				
72	34260239740	STRIKER	1				
73	34260239750	LINER	2				
74	34260239730	LOCK ASSY (DOOR)	1				
75	34260239760	REMOTE ASSY (RH)	1				
76	34260005650	KNOB (DOOR LOCK)	1				
77	34260239770	ROD (LOCK)	1				
78	34260035140	GROMMET	1				
79	34260239780	HANDLE (REGURATOR DOOR GLASS)	1				
80	34260239790	WASHER	1				
81	34260239800	REGULATOR ASSY	1				
82	34260239530	CHANNEL (GLASS SUPPORT)	1				
83	34260239810	HANDLE (INNER)	1				
84	34260035220	STRIKER,SLIDE	2				
85	34260035230	SUSPENDER,SLIDE	2				
86	82100000537	SWITCH (DOOR)	2				
87	34260239540	RAIL (COIL HARNESS)	1				
88	34260239550	PLATE (RAIL SET/REAR)	1				
89	34260239560	PLATE (RAIL SET/FRONT)	1				
90	34260005750	SWITCH ASSY	1				
91	34260239570	HARNESS (COIL)	1				
93	34260282200	SWITCH ASSY (STARTER &DOOR,WITH HARNESS)	1				
94	34260239830	CLIP	1				
95	34260239840	ROD (REMOTE)	1				
96	34260239820	ROD (KEY)	1				
101	34260236510	TRIM (BACK PANEL UPPER)	1				
102	34260236521	TRIM (SIDE DOOR UPPER&CENTER PILLER)	1				
103	34260236531	TRIM (LH SIDE)	1				
104	34260236551	TRIM (ROOF FRONT)	1				
105	34260236580	TRIM (REAR PANEL LOWER)	1				
106	34260236590	TRIM (LH SIDE PAT FRONT)	1				
107	34260236600	TRIM (LH BOX LOWER RISER)	1				
108	34260236611	TRIM (LH FRONT PILLAR)	1				
110	34260236790	TRIM (DOOR)	1				
111	34260236641	TRIM (SIDE BACK RH)	1				
112	34260236651	TRIM (B POST UPPER RH)	1				
113	34260236661	TRIM (A POST RH)	1				
114	34260236671	TRIM (SIDE WINDOW RR RH)	1				
115	34260236681	TRIM (SIDE FT,RH)	1				
116	34260236691	TRIM (SIDE PAD RR,RH)	1				
117	34260236711	TRIM (LH,B POST LOWER)	1				
118	34260236720	TRIM (LH BOX LOWER)	1				
119	34260236731	TRIM (LH SIDE BACKUPPER)	1				
120	34260236741	TRIM (LH SIDE)	1				
121	34260236751	TRIM (B POST LOWER RH)	1				
122	34260236761	TRIM (SIDE PANEL RH)	1				
123	34260236771	TRIM (SIDE WINDOW UPPER RH)	1				
124	34260236781	TRIM (LH BOX FRONT)	1				
125	34260236810	SUPPORT (LISTING RAIL)	2				
126	34260236821	TRIM (CENTER PILLAR LOWER)	1				
129	34260236850	TRIM (ROOF)	1				
130	34260236890	SUN VISOR (SUN VISOR)	1				
134	34260236860	CLIP (BLUE)	72				
135	34260236870	INSULATOR (WHITE FOR ROOF WIRE)	4				
136	34260236880	CLIP (BROWN)	60				
141	90101208020	BOLT	10		M8X20		
142	90302040801	WASHER,SPRING	6		8		

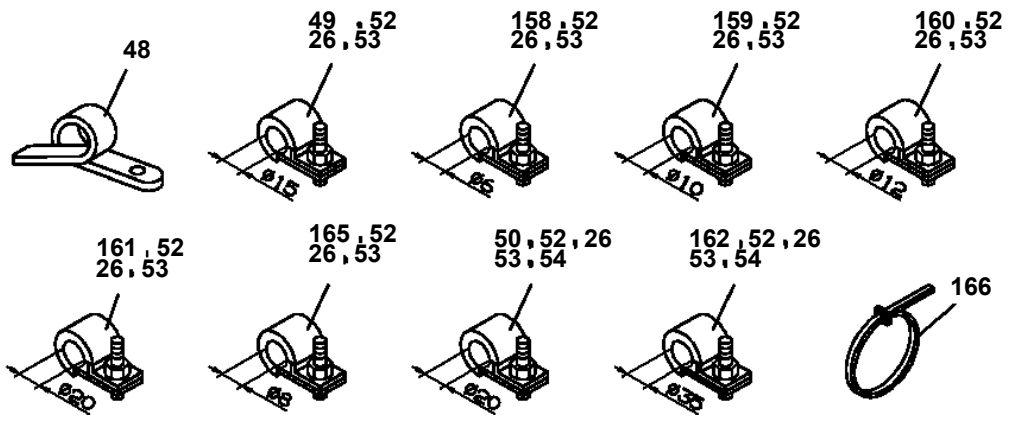
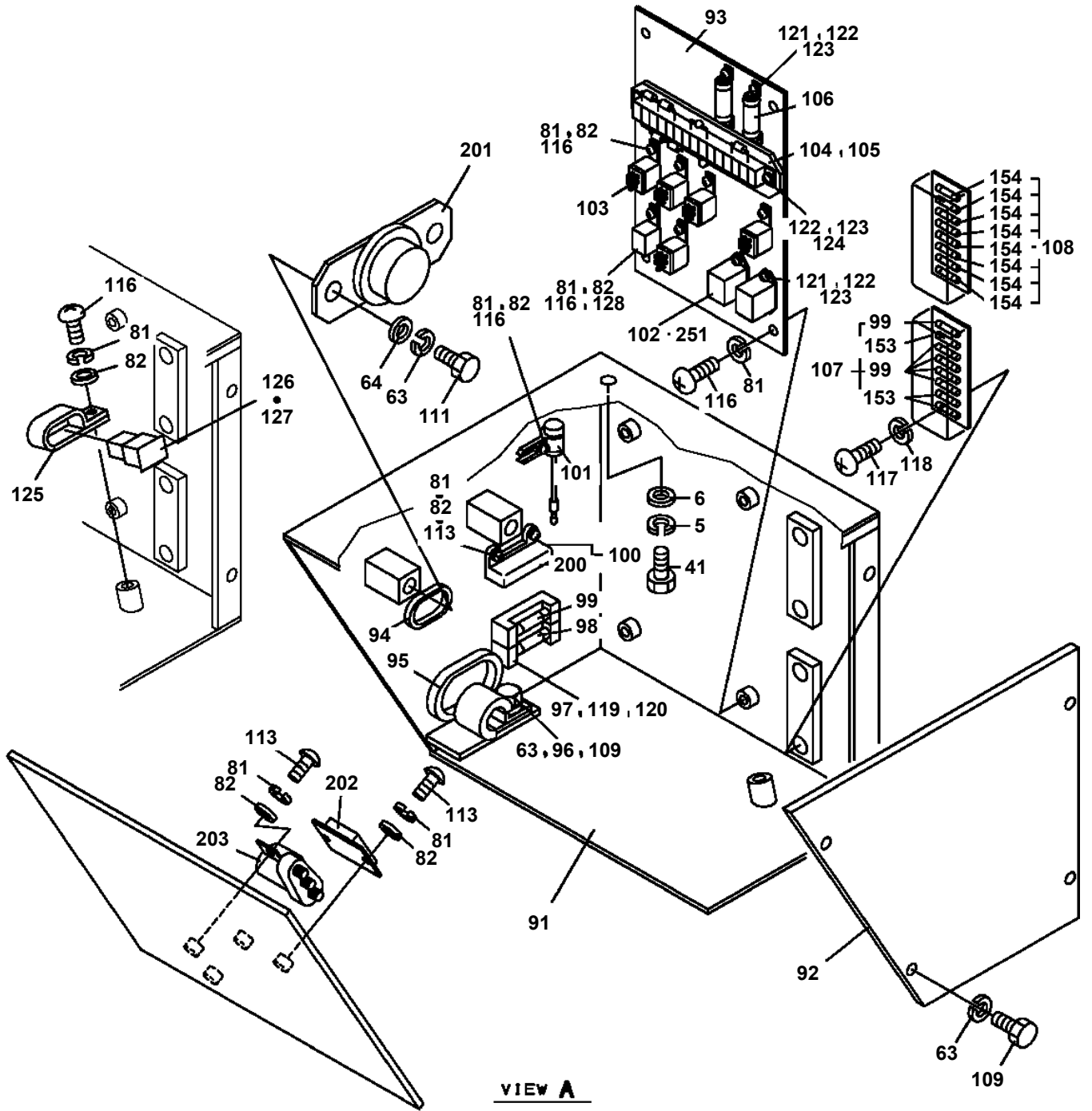
TR-250M-4-00108 3 BOOM + JIB,3M3D

Pos No.	Parts No	Parts Name	Qty	Unit	Technical Data	Serial No (Start)	Serial No (End)	F
1	34320360301	LEVER ASSY	1					
2	34320360600	ROD ASSY	1					
3	34320360800	ROD ASSY	1					
4	34320361000	LEVER	1					
5	34320361200	ROD ASSY	1					
6	34320361400	SUPPORT	2					
7	90101208016	BOLT	7		M8X16			
8	90302040801	WASHER,SPRING	19		8			
9	34320361700	ROD ASSY	1					
10	34320361800	ROD ASSY	1					
11	34320361900	LEVER ASSY	1					
12	90101208018	BOLT	12		M8X18			
13	82100000954	GROMMET	2					
15	82100002002	CLAMP	1		WR6			
16	90201200600	NUT	1		M6			
17	90303070601	WASHER,PLAIN	9		6			
18	90302040601	WASHER,SPRING	20		6			
19	34320362200	ROD ASSY	1					
20	34320362400	LEVER ASSY	1					
21	80601110200	RING,RITAINING	1		S20			
22	90101206014	BOLT	11		M6X14			
23	34320362600	LEVER ASSY (MAIN WINCH)	1					
24	34320363400	COVER	1					
25	80182306016	SCREW,MACHINE	8		M6X16			
26	34320363501	LEVER ASSY	1					
27	34320363800	LEVER ASSY (SWING,ELEVATING)	1					
28	34320063200	ROD ASSY	1					
29	34350002100	CAP	2					
30	34320364901	COVER	1					
31	34320365001	COVER	1					
32	34320361500	ROD ASSY	1					
33	34320365101	PIN	3					
34	34320066000	SUPPORT	1					
35	37000515600	PLATE	5		T=1.0			
36	37000513410	PLATE	10					
37	34320065901	PLATE,NAME	1					
38	34320066000	SUPPORT	1					
39	37000515590	PLATE	1		T=0.5			
41	34320360401	SUPPORT	1					
42	37000523800	PLATE	1					
43	34320000400	END,FORK	1					
44	37000105730	PIN	9					
45	90303070801	WASHER,PLAIN	10		8			
46	80136320016	PIN,SPLIT	10		2X16			
47	34320360500	LEVER	1					
48	90101208014	BOLT	3		M8X14			
49	90302040801	WASHER,SPRING	4		8			
50	90201200800	NUT	1		M8			
51	37000119920	PIN	1					
61	34320060200	END	3					
62	90201201000	NUT	10		M10			
63	37001503640	BOLT	3					
64	90291201000	NUT	7					
65	34320360700	ROD	1					
69	37004201040	END	4					
70	90264201000	NUT	4		M10			
71	34320060400	END	2					
74	34320362301	ROD	1					
75	34320360900	ROD	1					
84	37004201070	END	1					
98	80565000102	END	4					
99	90302041001	WASHER,SPRING	4		10			
111	37000304710	SPACER	1					

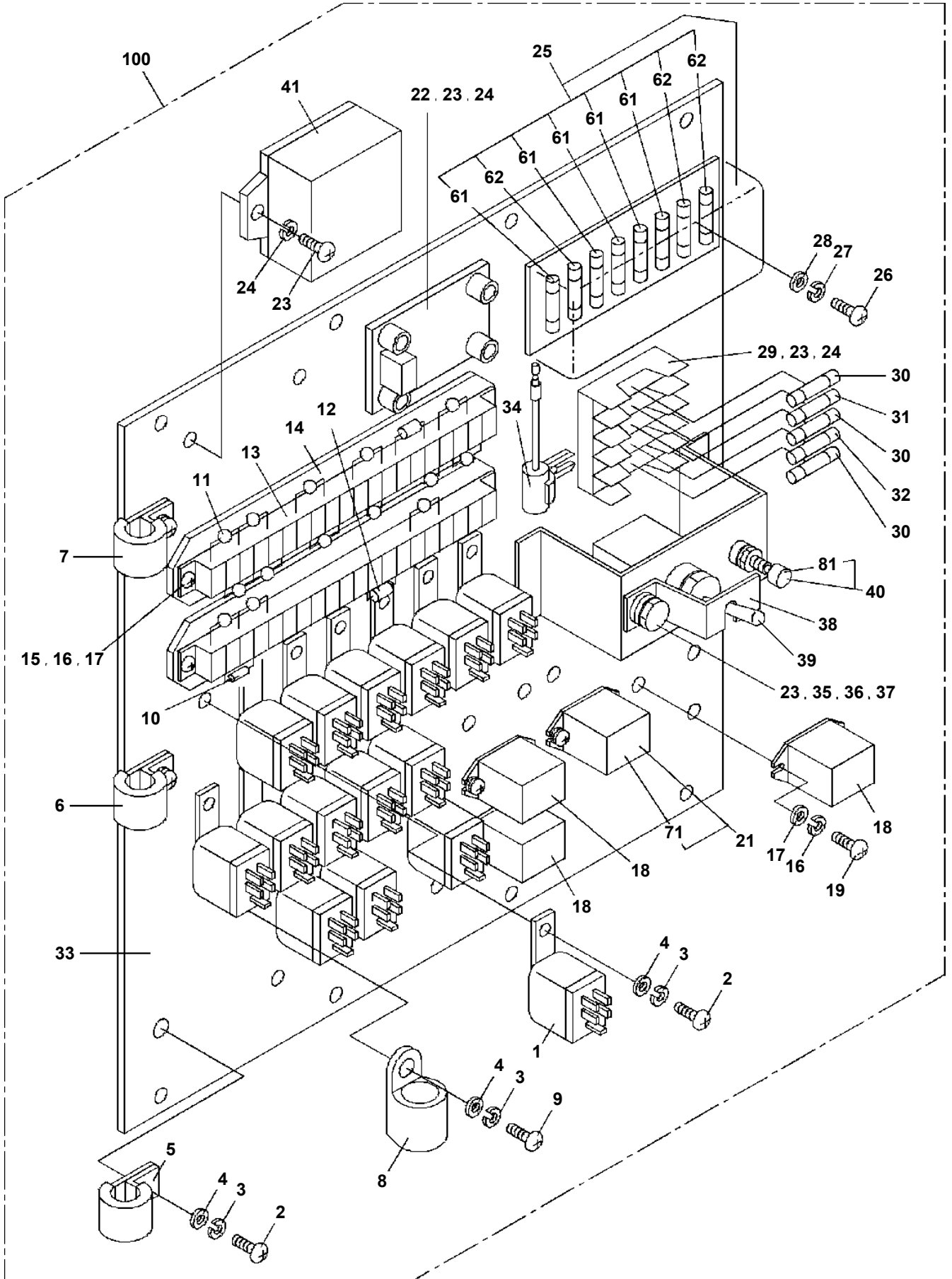
**TR-250M-4-00108 3 BOOM + JIB,3M3D
 PL1030224-02 OPE.ASSY,ACCELERATOR (LOWER)**



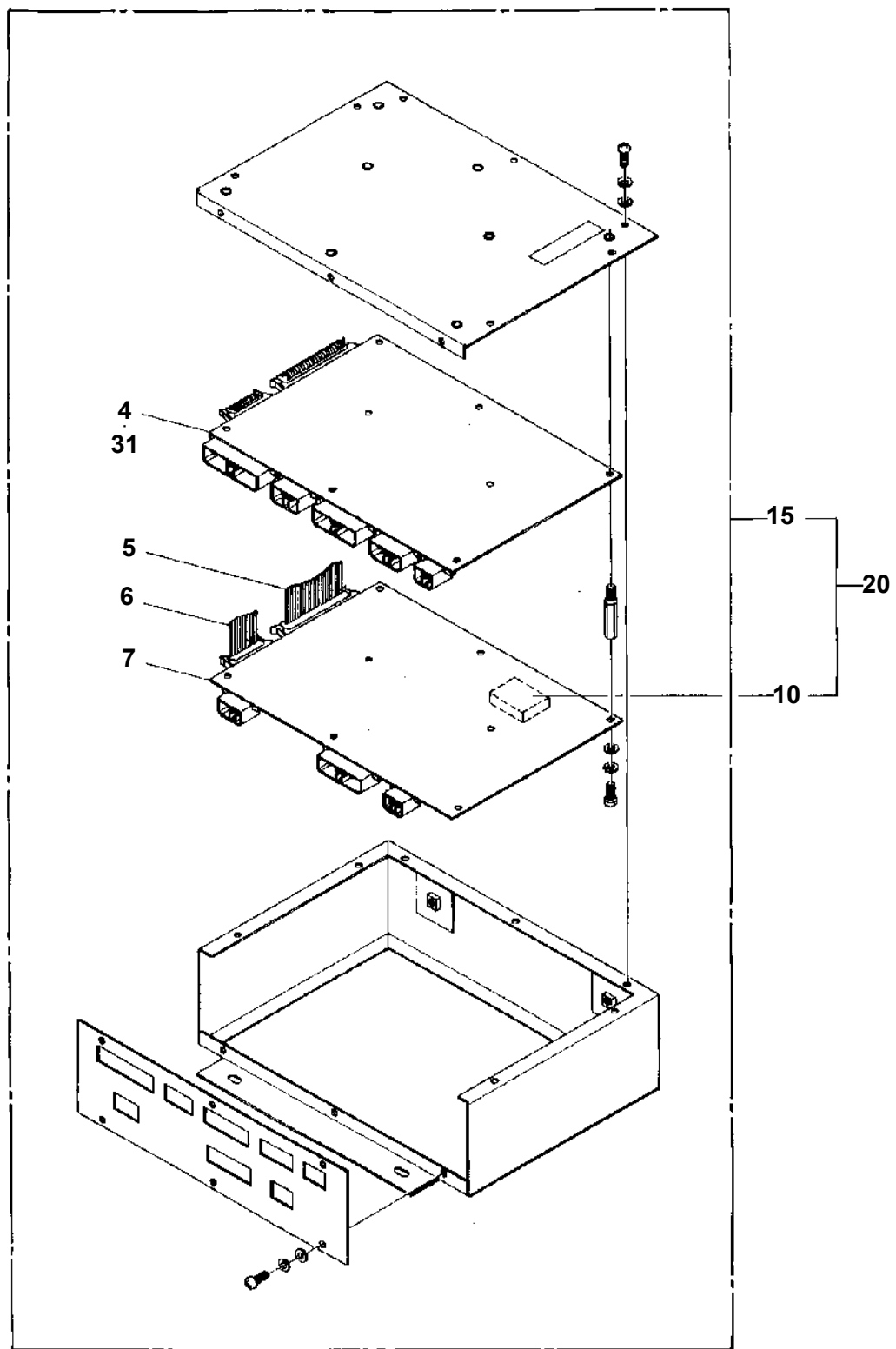
**TR-250M-4-00108 3 BOOM + JIB,3M3D
PN1010279-05 ELECTRICAL ACCESSORIES**



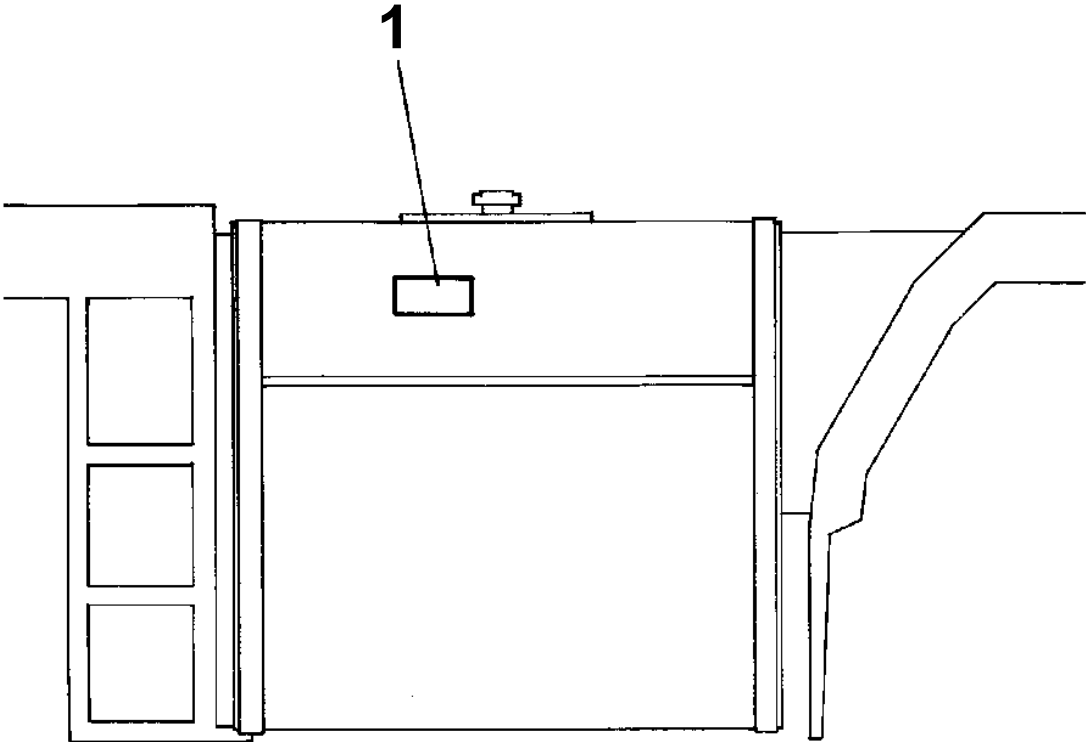
**TR-250M-4-00108 3 BOOM + JIB,3M3D
PN1110024-02 RELAY ASSY (CAB)**



TR-250M-4-00108 3 BOOM + JIB,3M3D
PN1200006-01 TRANSMITTER,MULTI. DATA (LOWER)



TR-250M-4-00108 3 BOOM + JIB,3M3D
PO1010157-01 PLATE ASSY,NAME (OIL)



TR-250M-4-00108 3 BOOM + JIB,3M3D

Pos No.	Parts No	Parts Name	Qty	Unit	Technical Data	Serial No (Start)	Serial No (End)	Remarks	Pages
1	(*****)	PLATE,NAME (AML)	1						

TR-250M-4-00108 3 BOOM + JIB,3M3D

Pos No.	Parts No	Parts Name	Qty	Unit	Technical Data	Serial No (Start)	Serial No (End)	Remarks	Page
2	34780437540	ELEMENT	1						
3	34780437550	GASKET ASSY (NUT)	1						
4	34780437560	COVER ASSY	1						
5	34780527530	CAP ASSY,NUT	1						
7	34780527520	GASKET	1						
8	34780437510	VALVE	1						
9	34670015130	INDICATOR	1						
10	34780521100	CAP (RAIN)	1						
12	34780527550	CLAMP ASSY	1						
20	34780434000	CLEANER,AIR	1						

TR-250M-4-00108 3 BOOM + JIB,3M3D

Pos No.	Parts No	Parts Name	Qty	Unit	Technical Data	Serial No (Start)	Serial No (End)	Remarks	Page
1	34720482000	SWITCH ASSY (T/M)	1						
2	80176405016	SCREW,MACHINE	4		M5X16				
3	90305260501	WASHER	4		B1-5				
31	34720487520	COVER (BROWN)	1						
32	34720487530	KNOB	1						
33	82104105001	SWITCH,LIMIT	5						

TR-250M-4-00108 3 BOOM + JIB,3M3D

Pos No.	Parts No	Parts Name	Qty	Unit	Technical Data	Serial No (Start)	Serial No (End)
68	36350245220	PACKING	1				
69	36350245230	COVER	1				
70	59133580040	PACKING (COPPER)	1				
71	36350245240	PLUG	1				
72	90131510030	BOLT,HEXAGON SOCKET	1		M10X30		
73	90101516040	BOLT	1		M16X40		
74	36350205250	BOLT,STUD	1				
75	90264201000	NUT	1		M10		
76	36350245260	CARRIER	1				
77	90101510030	BOLT	7		M10X30		
78	36350205250	BOLT,STUD	1				
79	90264201000	NUT	1		M10		
80	36350245060	PACKING	1				
81	36350345380	SEAL,OIL	1				
82	36350205310	COVER	1				
83	90101510035	BOLT	6		M10X35		
84	36350205320	PACKING	1				
85	90302041001	WASHER,SPRING	6		10		
86	36350245270	STRAINER	1				
87	36350245280	O-RING	1				
88	90101510035	BOLT	4		M10X35		
89	90101510085	BOLT	3		M10X85		
90	90302041001	WASHER,SPRING	3		10		
91	36350205340	PACKING	1				
92	90101510030	BOLT	1		M10X30		
93	90302041001	WASHER,SPRING	2		10		
94	90131510085	BOLT,HEXAGON SOCKET	4		M10X85		
95	90101510040	BOLT	1		M10X40		
96	36350205350	PACKING	1				
97	59433010330	BAND	1				
98	36350205360	GAUGE,OIL	1				
99	36350205370	COVER (OIL GAUGE)	1				
100	90302040501	WASHER,SPRING	10		5		
101	90101505020	BOLT	10		M5X20		
102	59433010301	PACKING	1				
103	36350035220	VALVE,SOLENOID	4				
104	90131505060	BOLT,HEXAGON SOCKET	16		M5X60		
105	59433015040	PACKING(FOR CLUTCH LOCK UP)	4				
106	90302041001	WASHER,SPRING	10		10		
107	90101510100	BOLT	10		M10X100		
108	36350205380	PACKING	1				
109	59433010330	BAND	1				
110	36350205391	PIPE ASSY	1				
111	36350205401	PIPE ASSY	1				
112	36350205410	PIPE ASSY	1				
113	59233070110	PLUG,MAGNET	1		M20X1.5		
114	59233070130	PACKING (COPPER)	1				
115	36350205420	WASHER	1				
116	90302041001	WASHER,SPRING	4		10		
117	90302041001	WASHER,SPRING	26		10		
118	36350305130	JOINT	1				

TR-250M-4-00108 3 BOOM + JIB,3M3D

Pos No.	Parts No	Parts Name	Qty	Unit	Technical Data	Serial No (Start)	Serial No (End)	Remarks	Pages
1	36350205800	BEARING,ROLLER	1						
2	36350205810	WASHER	1						
5	36350345210	SHAFT (COUNTER)	1						
9	36350205800	BEARING,ROLLER	1						
10	36350205550	SHIM SET	1						

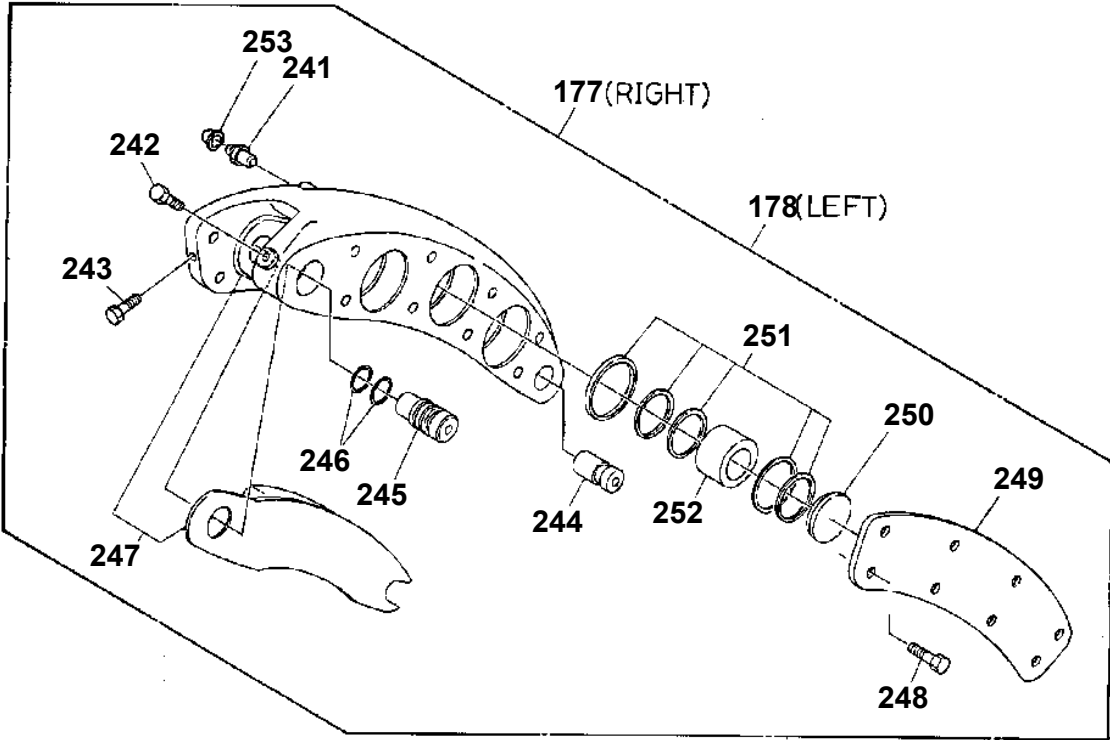
TR-250M-4-00108 3 BOOM + JIB,3M3D

Pos No.	Parts No	Parts Name	Qty	Unit	Technical Data	Serial No (Start)	Serial No (End)	Rema
1	36300355016	BOLT	8					
2	36300355026	WASHER,SPRING	16					
9	36381155720	NIPPLE,GREASE	1		A-PT1/8			
11	36300355046	JOURNAL ASSY	2					
14	36300355056	NIPPLE,GREASE	2					
17	36300355066	BOLT	8					
30	36301030000	PROPELLER SHAFT, DRIVING	1					

TR-250M-4-00108 3 BOOM + JIB,3M3D

Pos No.	Parts No	Parts Name	Qty	Unit	Technical Data	Serial No (Start)	Serial No (End)
127	36380435010	BOLT (WITH WASHER)	24				
129	34680005680	BOLT	2				
130	90211702400	NUT	2		M24		
131	36380675230	TIE ROD	1				
132	36380675240	END,TIE ROD (RIGHT HAND SCREW)	1				
133	36380675250	END,TIE ROD (LEFT HAND SCREW)	1				
134	36380675261	BUSHING (TIE ROD END)	2				
135	36380675270	PIN	2				
136	59172030340	PLATE (LOCK)	2				
137	90171108020	BOLT	22		M8X20		
138	90302040801	WASHER,SPRING	4		8		
139	90171120080	BOLT	2		M20X80		
140	90203702000	NUT	2		M20		
141	90302042001	WASHER,SPRING	2		20		
142	36380675281	SHAFT (AXLE)	2				
143	34680005631	JOINT,BALL	2				
144	80516006010	BEARING,BALL	2				
145	36380675290	GEAR,SUN	2				
146	36380675300	SPIDER,PLANETARY GEAR	2				
147	36380675310	GEAR,PLANETARY	6				
148	36380675320	SHAFT (PLANETARY GEAR)	6				
149	36380105680	WASHER,THRUST	12				
150	36380675330	GEAR,INTERNAL	2				
151	36380675340	HUB,INTERNAL GEAR	2				
152	36380675350	WIRE,LOCK	4				
153	36380105720	NUT,BEARING	2				
154	36380105730	WASHER (LOCK)	2				
155	36380675360	COVER (GEAR SPIDER)	2				
156	36380675370	O-RING	2				
157	36380105770	BEARING,NEEDLE	12				
158	90101508016	BOLT	4		M8X16		
159	36380675380	WASHER,PLAIN	44				
160	90171114045	BOLT	50		M14X45		
162	90302040801	WASHER,SPRING	18		8		
163	36380675390	WASHER	50				
164	80601110480	RING,RITAINING	2		S48		
165	36380675400	PLUG	2				
166	36380215250	PLUG,MAGNET	2				
167	34680005500	SPACER (GEAR)	2				
168	36380675410	HUB,WHEEL	2				
170	36381125130	DISK	2				
171	59172034000	BOLT (HUB)	24		3/4-16UNF		
172	59172035000	NUT (HUB)	24		3/4-16UNF		
173	59172071060	BEARING,ROLLER	2				
174	36380675440	BEARING,ROLLER	2				
175	90101718050	BOLT	44		M18X50		
176	36380675451	SEAL,OIL	2				
177	36381125070	BRAKE,CALIPER (1,4-PISTONS)	2				
178	36381125080	BRAKE,CALIPER (2,4-PISTONS)	2				
181	36380675480	CONNECTOR (WITH O-RING)	4				
182	36380215350	COVER	4				
183	36380675680	RETAINER	2				
184	36380675690	O-RING	2				
185	36380675500	O-RING	2				
186	36380675510	NUT	2				
187	90103720080	BOLT	12		M20X80		
188	90103720110	BOLT	4		M20X110		
189	90303502001	WASHER,PLAIN	16		20		
190	36380675520	COLLAR (BEARING)	2				
191	36380675530	SPACER	2				
192	59152201000	STOPPER	4				
193	80530000064	BEARING,SPHERICAL	2				
201	34680005300	BOLT	4		M16X95		

TR-250M-4-00108 3 BOOM + JIB,3M3D
PR1620023-01 AXLE,DRIVING (REAR WITHOUT NON-SPIN)



TR-250M-4-00108 3 BOOM + JIB,3M3D

Pos No.	Parts No	Parts Name	Qty	Unit	Technical Data	Serial No (Start)	Serial No (End)	Remarks
1	34960270100	CABLE	1					
2	82100002006	CLAMP	2		WR10			
4	90101206055	BOLT	3		M6X55			
5	90201200600	NUT	6		M6			
6	90302040601	WASHER,SPRING	5		6			
7	37000707330	CLAMP ASSY	1					
8	82100002008	CLAMP	1		WR12			
9	34960110101	CABLE (WITH KEY)	1					
10	34960110200	SENSOR,TACHOMETER	1					
11	34960110300	PLATE	1					
12	90101206012	BOLT	2		M6X12			
14	34950272000	HARNESS (DENSO)	1					
16	36680720000	TACHOGRAPH (DENSO,24V)	1					
17	34960110600	BOX,GEAR	1					
18	34950264000	KEY	1					
19	34960110500	SENSOR,SPEED (WITH KEY)	1					
20	34960110800	GASKET	2					
21	91800000002	FASTENER	2					
25	34960270200	PLATE	1					
26	34960270400	SUPPORT	1					
27	90101208030	BOLT	1		M8X30			
28	90302040801	WASHER,SPRING	1		8			
41	34960117510	KEY (FOR SENSOR)	2					

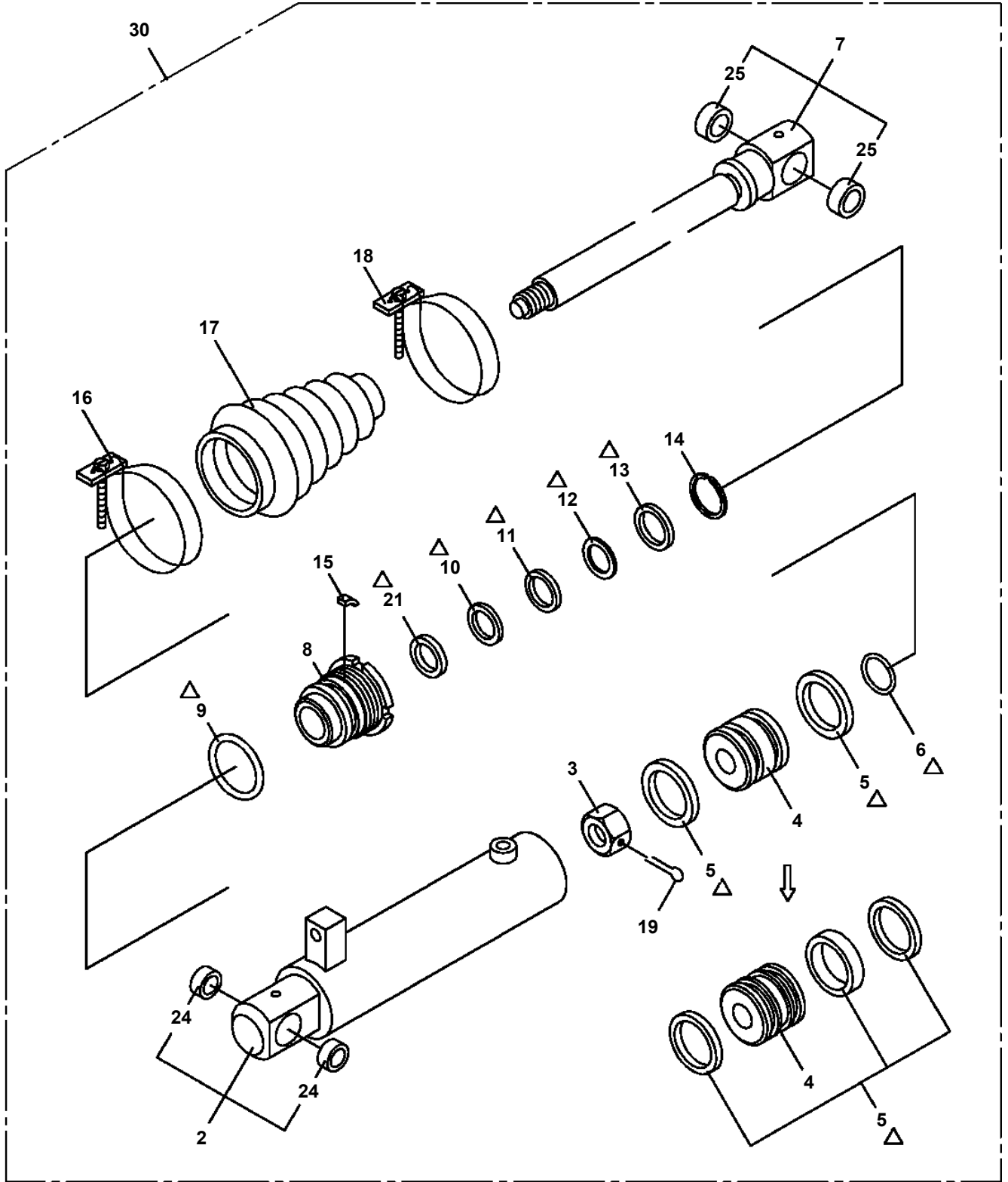
TR-250M-4-00108 3 BOOM + JIB,3M3D

Pos No.	Parts No	Parts Name	Qty	Unit	Technical Data	Serial No (Start)	Serial No (End)	Remarks	Pages
1	37003801000	TIRE	1						

TR-250M-4-00108 3 BOOM + JIB,3M3D

Pos No.	Parts No	Parts Name	Qty	Unit	Technical Data	Serial No (Start)	Serial No (End)	Remarks
1	37000704440	CLAMP ASSY	6					
2	80316030040	PLUG	5		PT1/4			
3	80430470650	JOINT	4					
4	37000702240	CLAMP ASSY	1					
5	37000900120	JOINT	5					
6	37002421470	HOSE	1		L=600			
7	36622470000	VALVE,CHECK	4					
8	90131508065	BOLT,HEXAGON SOCKET	16		M8X65			
9	90302040801	WASHER,SPRING	22		8			
10	37002406910	HOSE	4					
11	80307010100	FITTING,FLANGE	4					
12	37000707820	CLAMP ASSY	8					
13	81408000160	PIPE,STEEL	1	M	12X1.4T			
14	80330004900	FITTING,TEE	2		KTR12X18X12			
15	81408000160	PIPE,STEEL	2	M	12X1.4T			
16	37002421490	HOSE	4		L=600			
17	80430450650	JOINT	4					
18	37002424500	HOSE	4		L=710			
22	34640272200	SUPPORT	1					
23	90101208080	BOLT	4		M8X80			
24	90201200800	NUT	4		M8			
25	36641830000	VALVE,SOLENOID	1					
26	81408000241	PIPE,STEEL	2	M	18X1.9T			
27	81408000241	PIPE,STEEL	2	M	18X1.9T			
28	80302090241	FITTING	8		KCO18-040N			
29	91002801800	O-RING	8		1B P18			
30	81408000241	PIPE,STEEL	1	M	18X1.9T			
31	81408000241	PIPE,STEEL	1	M	18X1.9T			
32	44340061170	JOINT	1					
33	37002407780	HOSE	1		L=600			
34	37002424470	HOSE	1		L=560			
35	37000911960	FITTING,FLANGE	1					
36	90135538030	BOLT,HEXAGON SOCKET	4					
37	91002803200	O-RING	1		1B P32			
38	80301010160	FITTING	2		KUA18-000N			
39	81408000241	PIPE,STEEL	2	M	18X1.9T			
40	81408000160	PIPE,STEEL	1	M	12X1.4T			
41	37000518280	PLATE	1					
42	36610420000	VALVE,FLOW CONTROL	1					
43	90101208055	BOLT	2		M8X55			
44	36641610000	VALVE,HYDRAULIC	1					
45	37002501210	HOSE	1		L=487			
46	91803600400	CLIP	4		D=27-40			
47	80430621200	JOINT	1					
48	81408000160	PIPE,STEEL	2	M	12X1.4T			
49	37000705780	CLAMP ASSY	1					
50	37000906820	JOINT	2		L,G1/2-18			
51	81408000241	PIPE,STEEL	1	M	18X1.9T			
52	81408000241	PIPE,STEEL	1	M	18X1.9T			
53	37000704740	CLAMP ASSY	1					
54	37000300770	SLEEVE	2		28-18			
55	81408000241	PIPE,STEEL	2	M	18X1.9T			
56	81408000241	PIPE,STEEL	2	M	18X1.9T			
57	81408000241	PIPE,STEEL	2	M	18X1.9T			
58	81408000241	PIPE,STEEL	1	M	18X1.9T			
59	37000705010	CLAMP ASSY	1					
60	80302090281	FITTING	1		KCO22-060N			
61	91002802400	O-RING	2		1B P24			
62	34640272300	JOINT	1		G3/4			
63	90101210020	BOLT	2		M10X20			
64	90302041001	WASHER,SPRING	6		10			
65	37002421520	HOSE	1		L=530			
66	37000702260	CLAMP ASSY	1					

TR-250M-4-00108 3 BOOM + JIB,3M3D
 PS1360018-02 CYLINDER,STEERING



Δ :PACKING SET KEY NO. 40 (KEY NO.5,6,9,10,11,12,13,21)



Δ :PACKING SET KEY NO. 40 (KEY NO.5,6,9,10,11,12,13)

TR-250M-4-00108 3 BOOM + JIB,3M3D

Pos No.	Parts No	Parts Name	Qty	Unit	Technical Data	Serial No (Start)	Serial N
2	34920618470	PIPE ASSY	1				
3	34920618370	PIPE ASSY	1				
4	34920618380	PIPE ASSY	1				
5	37002403910	HOSE,AIR	1		L=600		
6	37002421080	HOSE,BRAKE	2		L=500		
7	37000500300	PLATE	1				
8	37000505040	PLATE	1				
9	90211201600	NUT	3		M16		
10	90304111601	WASHER,TOOTH	3		16		
11	37000904830	NUT,FLARE	22		M16		
12	34920618100	PIPE ASSY	1				
13	37000904010	FITTING	3		S,M12-M12		
14	37000904810	NUT,FLARE	26		M12		
15	37000709200	CLAMP ASSY	1				
16	37000706110	CLAMP ASSY	2				
17	34920618110	PIPE ASSY	1				
18	34920618120	PIPE ASSY	1				
19	56476172000	FITTING	2		S,R1/4-M12		
20	90209201000	NUT	6		M10		
21	90302041001	WASHER,SPRING	10		10		
22	37000901290	FITTING,ELBOW	1		L,R1/4-6.35		
23	34920618130	PIPE ASSY	1				
24	37000302720	SLEEVE	8		12-6.35		
25	34920618140	PIPE ASSY	1				
26	37001601440	NUT	10		M12X1.0		
27	90304111201	WASHER,TOOTH	10		12		
28	37000500290	PLATE	1				
30	34920618150	PIPE ASSY	1				
31	37000911310	FITTING,ELBOW	2				
32	37000904840	NUT,FLARE	6		M20		
33	34920618260	PIPE ASSY	1				
34	37002500790	HOSE	1	M	9X15.5,L=550		
35	91801300150	CLIP	4		D=13-15		
36	36100220000	TANK,OIL (INCLUDE INDICATOR ASSY)	2				
37	34920610600	SUPPORT	1				
38	90101210025	BOLT	8		M10X25		
39	90201201000	NUT	8		M10		
40	90303071001	WASHER,PLAIN	9		10		
41	34920610090	HOSE	1				
42	36060700000	BOOSTER	2				
43	34920618350	PIPE ASSY	1				
44	37000910250	FITTING	1				
45	37000904040	FITTING	1		S,M20-M20		
46	34920618170	PIPE ASSY	1				
47	37002421990	HOSE,AIR	1		L=375		
48	34920618450	PIPE ASSY	1				
49	82100002002	CLAMP	5		WR6		
50	37000901091	NUT,FLARE	6		M12		
51	34920618490	PIPE ASSY	1				
52	37000904310	FITTING,TEE	2				
53	37000903910	FITTING	1		S,R1/8-M12		
54	34920611301	SUPPORT	1				
55	90101212020	BOLT	8		M12X20		
57	82100002012	CLAMP	4		WR18		
58	90201200600	NUT	8		M6		
59	90302040601	WASHER,SPRING	6		6		
60	90303070601	WASHER,PLAIN	4		6		
61	34920618500	PIPE ASSY	1				
62	37002424520	HOSE,BRAKE	2		L=530		
63	37000904030	FITTING	3		S,M16-M16		
64	36600940000	VALVE,REDUCING	1				
65	90101206020	BOLT	2		M6X20		
66	37000904230	FITTING,ELBOW	8		L,R1/4-M16		

TR-250M-4-00108 3 BOOM + JIB,3M3D

Pos No.	Parts No	Parts Name	Qty	Unit	Technical Data	Serial No (Start)	Serial No (End)	Remarks	Pa
2	36601005010	VALVE ASSY	1						
16	36601005020	STEM ASSY	1						
23	36601005030	SEAT,SPRING	1						
29	36601005040	VALVE	1						
37	36601005051	COVER (EXHAUST)	1						
45	36601005060	BOOT (PLUNGER)	1						
46	36601005070	PLUNGER	1						
51	36604515010	REPAIR KIT	1						
52	36601005090	REPAIR KIT (SPRING)	1						
60	36601000001	VALVE,BRAKE	1						

TR-250M-4-00108 3 BOOM + JIB,3M3D
PT1430004-02 DRIER,AIR

100

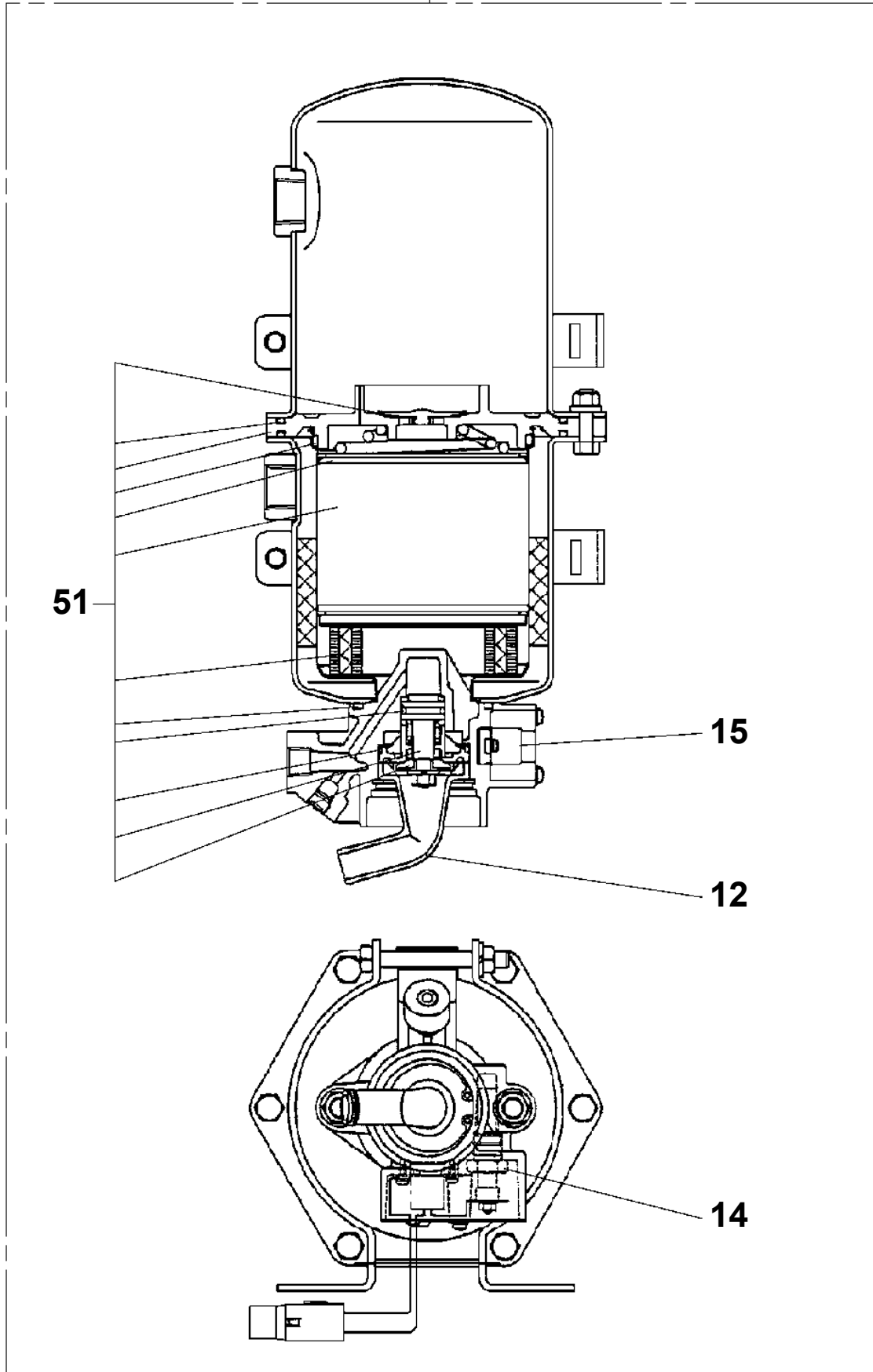


51

15

12

14



TR-250M-4-00108 3 BOOM + JIB,3M3D

Pos No.	Parts No	Parts Name	Qty	Unit	Technical Data	Serial No (Start)	Serial No (End)	Remarks	Pages
1	82100000791	FUSE	2		5A,6.5X30				
2	82100000689	FUSE	2		3A,6.5X30				
3	91900000005	FLASH LIGHT	1						
4	91900000006	RED FUSEE	1						
5	91900000007	RED FLAG	1						
6	91900000008	BAG	1						
7	88900000003	STEP	1						
8	34460330100	MAT	1						
9	34460330200	MAT	1						
10	34460330300	ROD	1						

TR-250M-4-00108 3 BOOM + JIB,3M3D

Pos No.	Parts No	Parts Name	Qty	Unit	Technical Data	Serial No (Start)	Serial No (End)	Remarks	Pages
1	34690751102	COVER	1						
2	34690751401	COVER	1						
3	34690751600	COVER	1						
4	34690751700	COVER	1						
5	34690751800	COVER	1						
6	34690752200	COVER	1						
7	34690752700	SUPPORT	1						
8	34690752800	SUPPORT	1						
9	34690752900	SUPPORT	1						
10	34690753000	SUPPORT	1						
11	34690753100	COVER	1						
12	34690753200	SUPPORT	4						
13	34690753300	INSULATOR	1						
14	34690753400	INSULATOR	2						
15	34690753500	PLATE	2						
16	34690753600	INSULATOR	2						
17	13622510070	CATCH	2						
18	37000509410	PLATE	4						
19	82400000390	INSULATOR	4						
20	59224016000	CUSHION	2						
21	80182306020	SCREW,MACHINE	4		M6X20				
22	90303070601	WASHER,PLAIN	12		6				
23	37001200420	SPRING	4						
24	34690753700	SUPPORT	4						
25	80182306012	SCREW,MACHINE	8		M6X12				
26	90101210020	BOLT	18		M10X20				
27	90302041001	WASHER,SPRING	18		10				
28	90303071001	WASHER,PLAIN	18		10				
29	90201201000	NUT	1		M10				
30	82400000370	CATCH	2						
31	80175304016	SCREW,MACHINE	8		M4X16				
32	90304150401	WASHER,TOOTH	8						
33	90101206016	BOLT	16		M6X16				
34	90302040601	WASHER,SPRING	24		6				
35	90101208020	BOLT	17		M8X20				
36	90302040801	WASHER,SPRING	19		8				
37	90303070801	WASHER,PLAIN	4		8				
38	90240200800	NUT,CAP	2		M8				
39	90201200800	NUT	10		M8				
40	34690010900	BOLT	1						
41	12434402040	SPRING	1						
42	80172305008	SCREW,MACHINE	2		M5X8				
43	34690010800	PLATE	1						
44	37000533960	PLATE	4						
45	34690495600	PLATE	1						
46	34690753800	GRIP	4						
47	34690753900	GUIDE	4						
48	34690754000	SUPPORT	4						
49	37000505950	PLATE	4		T=3.2				
61	82400000371	LOCK	2						
62	34690546010	CUSHION	3						
63	82400000373	HINGE	1						
64	82400000306	PLATE	2						
71	34690010550	COVER	1						
81	80147310420	RIVET	4		3.2X6				
82	92001140100	HINGE	2						

TR-250M-4-00108 3 BOOM + JIB,3M3D

Pos No.	Parts No	Parts Name	Qty	Unit	Technical Data	Serial No (Start)	Serial No (End)	Remarks	Pa
2	37001504580	BOLT	4		M24X100				
3	37001504590	BOLT	26		M24X120				
4	58660611000	BOLT	18						
5	90201702400	NUT	18		M24				
6	90302042201	WASHER,SPRING (22)	1						
7	90101512030	BOLT	6		M12X30				
8	90303501201	WASHER,PLAIN	6		12				
9	34760004300	SUPPORT	1						
10	90269202200	NUT	2		M22				
11	37001503710	BOLT	1		M22X100				
12	80530000095	END	1						
13	90303502401	WASHER,PLAIN	48		24				

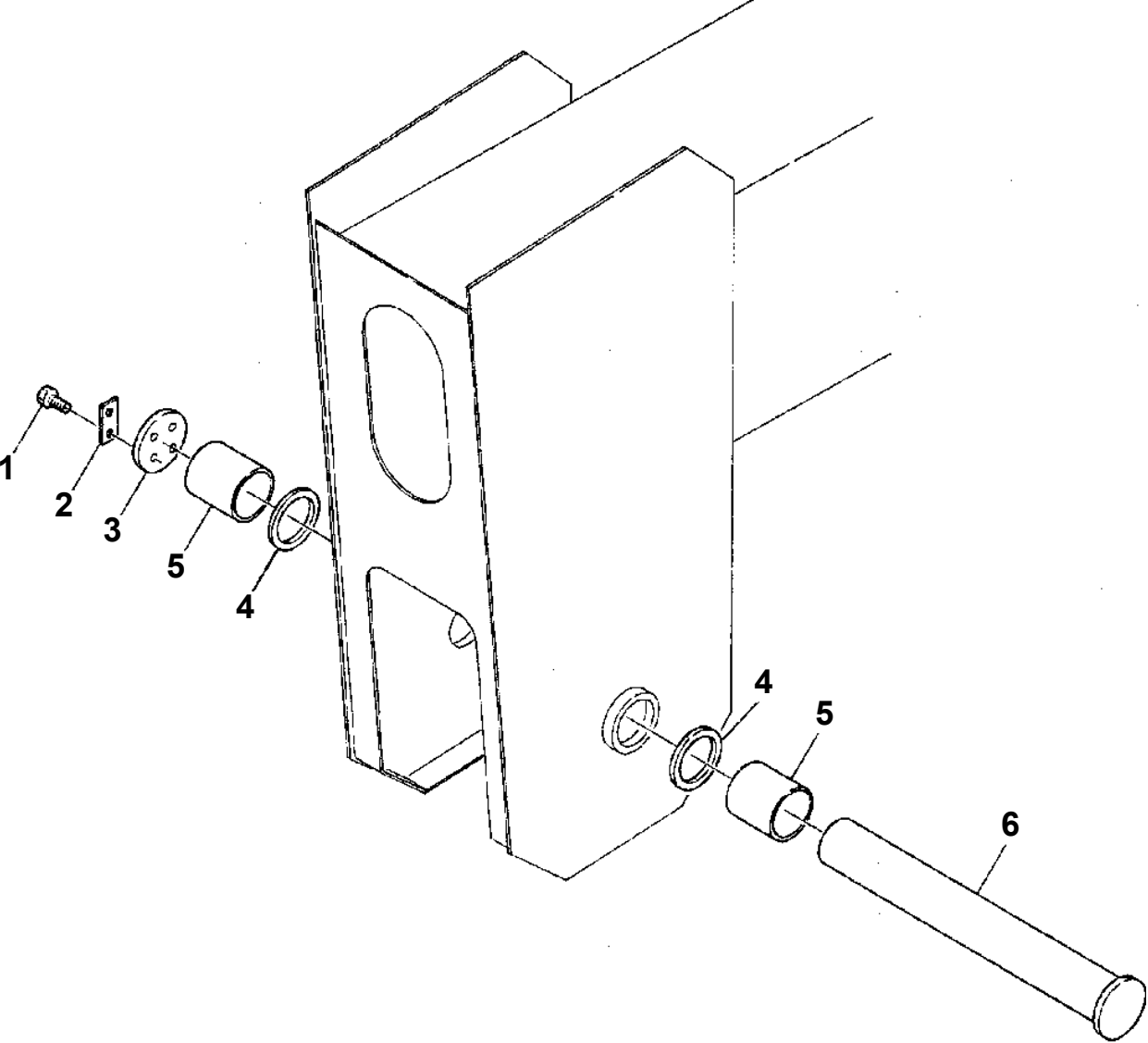
TR-250M-4-00108 3 BOOM + JIB,3M3D

Pos No.	Parts No	Parts Name	Qty	Unit	Technical Data	Serial No (Start)	Serial No (End)	Remarks	Page
1	37000509340	PLATE	1						
2	18111009010	PIN,SNAP	1						
3	37000109980	PIN	1						
5	33470090500	PLATE	1						
6	37000123920	PIN	1						
8	14117513000	PIN,SNAP	1						
9	37000107340	PIN	1						
10	80136350045	PIN,SPLIT	1		5X45				
12	16311007000	SPACER	2		L=3.5				
13	37000200990	PIN	1						
15	37001002850	SHEAVE ASSY	1						
16	90101214025	BOLT	1		M14X25				
17	90302041401	WASHER,SPRING	1		14				
18	37000130700	PIN	1						
19	37000200460	PIN,SNAP	1						
20	82456101000	NIPPLE,GREASE	1		A-PT1/8				
21	34470435100	SUPPORT	1						
22	90101210020	BOLT	2		M10X20				
23	90302041001	WASHER,SPRING	2		10				
31	90928040061	SCREW,TAPPING	2		M4X6				
32	82100000207	CLAMP	2						
33	82100002506	CONNECTOR	2						
34	34470434100	SUPPORT	1						
35	82100002505	CONNECTOR (CN-6)	2						
36	37000300590	SPACER	1		L=30				
37	34470434200	SUPPORT	1						
38	14128208000	RING	1						
41	34473714020	SUPPORT	1						
42	34473714060	SUPPORT	1						
52	80515006214	BEARING,BALL	4						
53	80612111250	RING,RITAINING	2		AR125				
60	34473718010	SINGLE TOP ASSY	1						
71	16311007000	SPACER	1		L=3.5				
72	37001002850	SHEAVE ASSY	1						
73	16411006000	SPACER	1						

TR-250M-4-00108 3 BOOM + JIB,3M3D

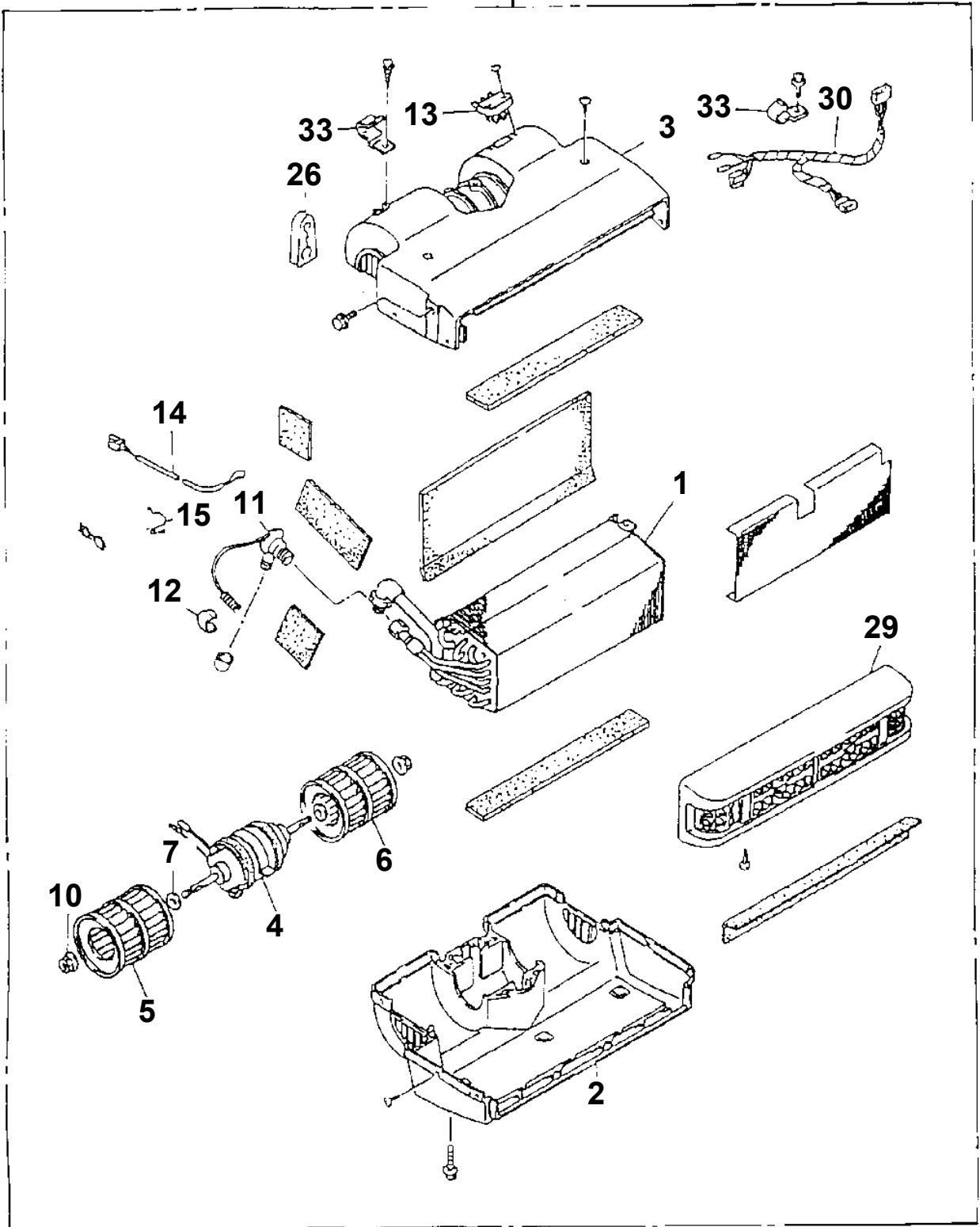
Pos No.	Parts No	Parts Name	Qty	Unit	Technical Data	Serial No (Start)	Serial No (End)
1	37002421540	HOSE	1		L=1400		
2	90101208012	BOLT	2		M8X12		
3	90302040801	WASHER,SPRING	2		8		
4	82100002018	CLAMP	2		WR35		
5	37000507090	PLATE	1				
6	37000508770	SUPPORT	1				
7	80400160105	FITTING	2		20368-U1/2X3/8		
8	91002802900	O-RING	1		1B P29		
9	80303030321	FITTING,ELBOW	1		KLN28-080N		
10	34473511500	SUPPORT	1				
11	37000914980	JOINT	1				
12	80321128450	VALVE,CHECK	1				
13	81408000341	PIPE,STEEL	1	M	28X3.1T		
14	80303130321	FITTING,ELBOW	2		KLO28-080E		
15	81408000341	PIPE,STEEL	1	M	28X3.1T		
16	36640190000	VALVE,SOLENOID CONTROL(GRAPPLE)	1				
17	90101210100	BOLT	4		M10X100		
18	90302041001	WASHER,SPRING	9		10		
19	80302090281	FITTING	2		KCO22-060N		
20	91002802400	O-RING	2		1B P24		
21	80316030060	PLUG	1		PT3/8		
22	80316030100	PLUG	2		PT3/4		
23	80302010280	FITTING	2		KCT22-060N		
24	34471171800	JOINT	1				
25	90101210025	BOLT	4		M10X25		
26	90201201000	NUT	5		M10		
27	89640102000	HOSE	1		880-NFK,2M		
28	82100002008	CLAMP	3		WR12		
29	80400160135	JOINT	1				
30	81408000290	PIPE,STEEL	2	M	22X2.5T		
31	81408000290	PIPE,STEEL	2	M	22X2.5T		
32	37000601030	CLAMP	1				
33	37000601330	CUSHION	2				
34	90101210070	BOLT	1		M10X70		
61	34471292100	PLATE	1				
62	34470092500	SWITCH ASSY	1				
71	34470092300	PLATE,NAME (ELEVATINGTELESCOP)	1				
73	34470092200	PLATE,NAME (ELEVATING&TELESCOP)	1				
74	34350002100	CAP	2				
81	80400160126	FITTING,TEE	1		20364-U1/2		
91	91002802900	O-RING	2		1B P29		

**TR-250M-4-00108 3 BOOM + JIB,3M3D
PY1340010-00 LONG PIN INSTALLATION**



TR-250M-4-00108 3 BOOM + JIB,3M3D
PY1370007-00 EVAPORATOR ASSY

100



TR-250M-4-00108 3 BOOM + JIB,3M3D

Pos No.	Parts No	Parts Name	Qty	Unit	Technical Data	Serial No (Start)	Serial No (End)	Remarks	Pages
1	16234015030	SUPPORT	1						
2	37000913700	JOINT	1						
3	91801300160	CLIP	1		D=14-16				
4	19491242000	HOSE	1						
5	59098000030	WIRE	1						
6	80315060060	JOINT,BUSHING	1						
7	80400160160	SOCKET	1						
8	80400160164	PLUG	1						
9	80400160165	CAP (DUST)	1						
10	80400160161	PLUG	1						
11	19491241000	JOINT,NIPPLE	1		PT3/8X1/4				

CLICK HERE TO **DOWNLOAD** THE COMPLETE MANUAL

- Thank you very much for reading the preview of the manual.
- You can download the complete manual from: www.heydownloads.com by clicking the link below



- Please note: If there is no response to CLICKING the link, please download this PDF first and then click on it.

CLICK HERE TO **DOWNLOAD** THE COMPLETE MANUAL