

TR-230E-1-01401 4 BOOM + JIB, 2M2D

PB1000007-01 HYDRAULIC PRESSURE GENERATING SYSTEM
PC1000007-01 OUTRIGGER SYSTEM
PD1000007-01 SWING SYSTEM
PE1000007-01 ELEVATING SYSTEM
PF1000007-02 WINCH SYSTEM
PG1000007-01 TELESCOPING SYSTEM
PH1000007-02 SAFETY DEVICES
PI1000007-02 HYDRAULIC DEVICES
PK1000007-01 FRAME
PL1000007-02 CRANE CONTROLS
PM1000007-00 LUBRICATION DEVICES
PN1000007-01 ELECTRIC EQUIPMENT
PO1000007-00 INDICATION PLATES
PQ1000007-01 DRIVING POWER GENERATING SYSTEM
PR1000007-01 DRIVING POWER TRANSMISSION SYSTEM
PS1000007-01 STEERING SYSTEM
PT1000007-01 BRAKE SYSTEM
PU1000007-01 SUSPENSION
PW1000007-00 ACCESSORIES & TOOLS
PX1000007-01 MOUNTING PARTS
PY1000007-02 OPTIONS
ASSEMBLY

CLICK HERE TO **DOWNLOAD** THE COMPLETE MANUAL

- Thank you very much for reading the preview of the manual.
- You can download the complete manual from: www.heydownloads.com by clicking the link below



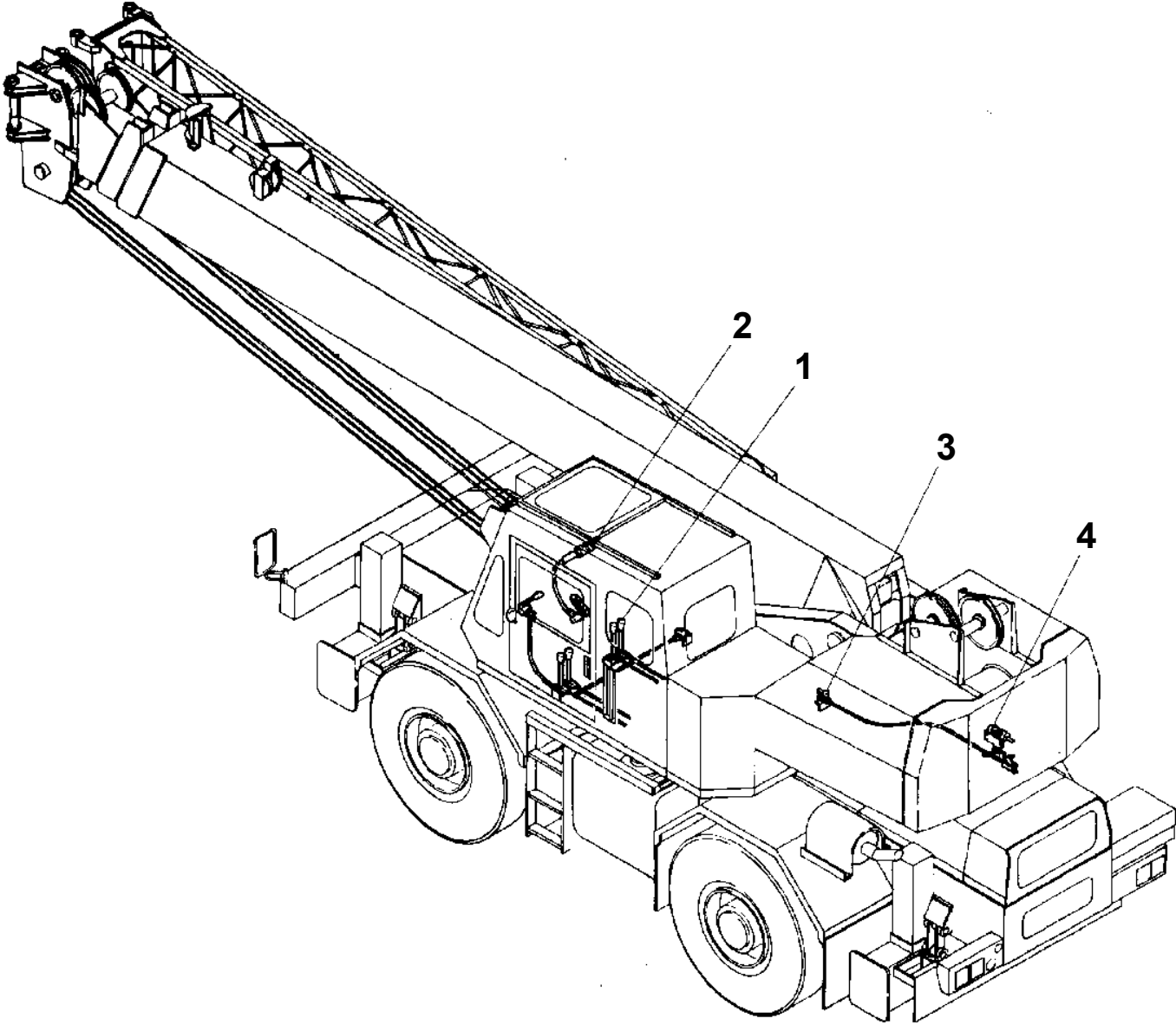
- Please note: If there is no response to CLICKING the link, please download this PDF first and then click on it.

CLICK HERE TO **DOWNLOAD** THE COMPLETE MANUAL

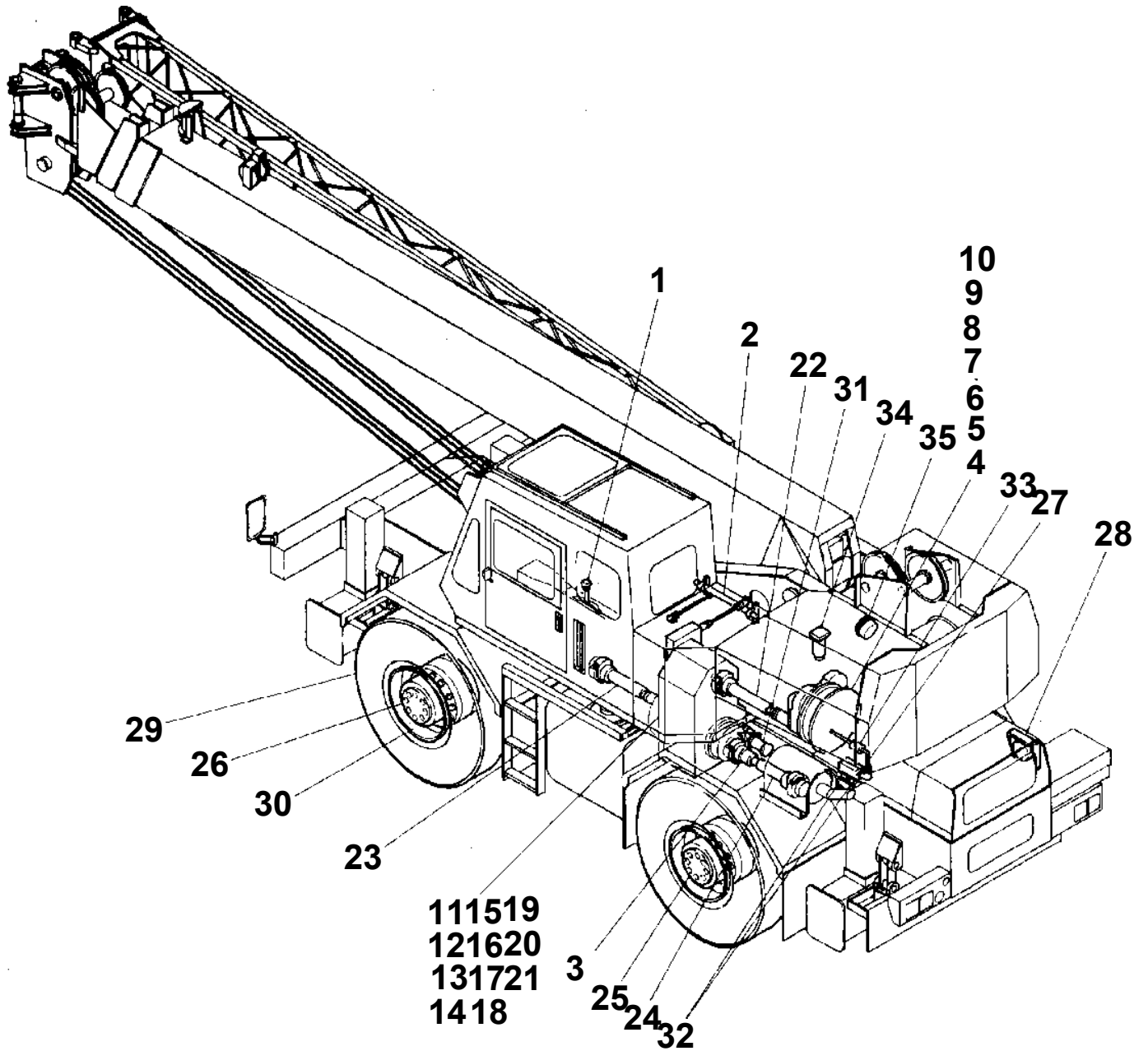
TR-230E-1-01401 4 BOOM + JIB, 2M2D

Pos No.	Parts No	Parts Name	Qty	Unit	Technical Data	Serial No (Start)	Serial No (End)
1	(*****)	WINCH	2				
2	36090140001	HOOK (SHEAVE 4 PC'S)	1				
3	36090370000	HOOK (AUXILIARY)	1				
4	36092420000	HOOK (16TON)	1				
5	37001800470	ROPE,WIRE	1				
6	19417912000	ROPE,WIRE (TESAC)	1				
7	(*****)	SOCKET,ROPE	2				
	(*****)	SOCKET,ROPE (WG. NL. FIN.)	2				
8	34310031000	BAND,WINCH BRAKE	2				
9	(*****)	DETECTOR,DISORDERLY WINDING	1				
10	(*****)	DETECTOR,OVER UNWIND (OPTION)	1				
	(*****)	DETECTOR,OVER UNWIND (OPTION)	1				
11	(*****)	PIPING,WINCH (2M2D)	1				
12	(*****)	PIPING,WINCH BRAKE (2M2D)	1				
13	(*****)	MOUNT,WINCH (2M2D)	1				
14	36660160000	MOTOR,HYDRAULIC	2				
15	19415104000	VALVE,RELIEF	1				
16	36640010000	VALVE,SOLENOID	2				
17	36620080000	VALVE,CHECK	2				
18	19225142000	VALVE,SHUTTLE	1				
19	36600730000	VALVE,COUNTERBALANCE	2				

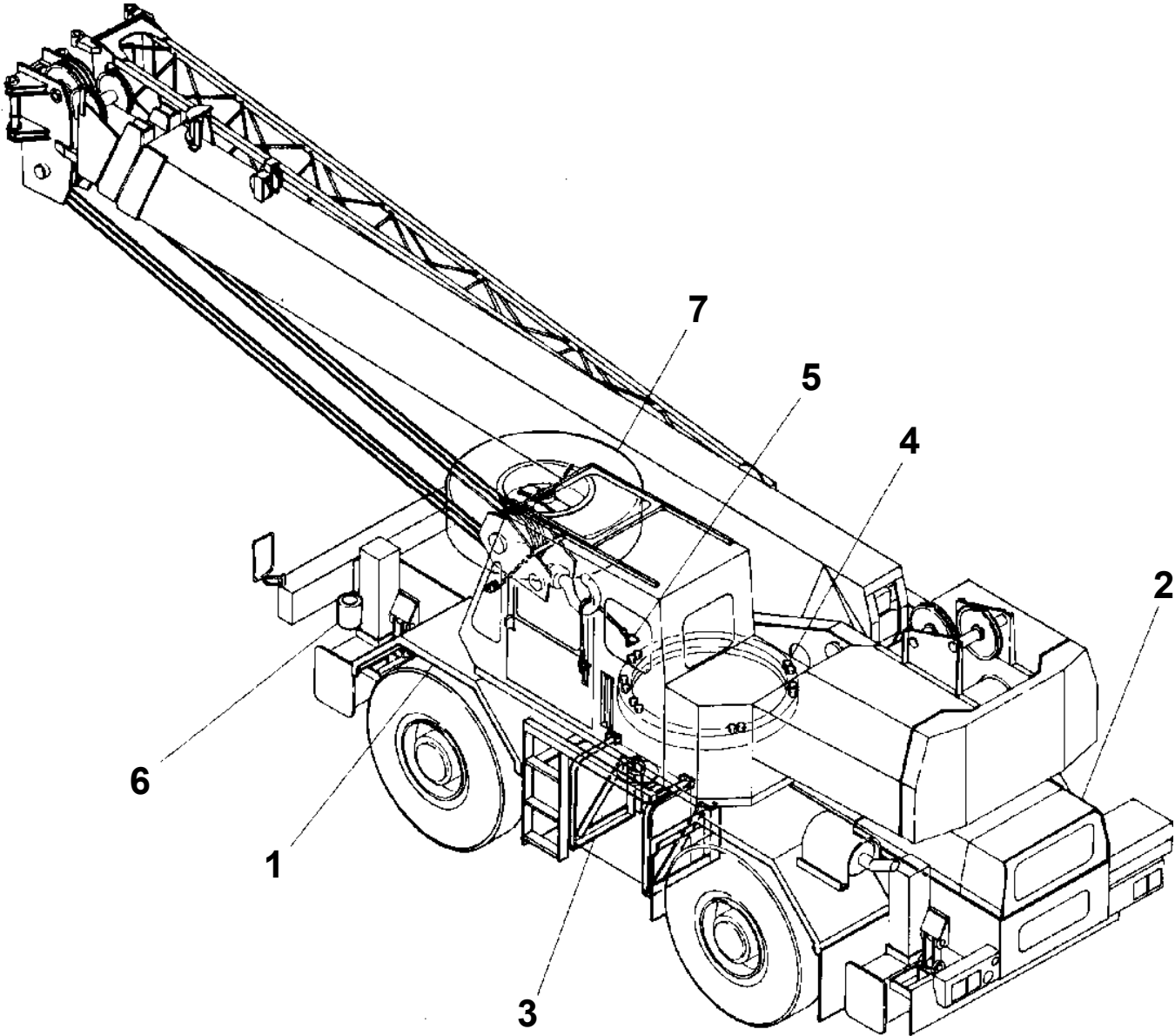
**TR-230E-1-01401 4 BOOM + JIB, 2M2D
PL1000007-02 CRANE CONTROLS**



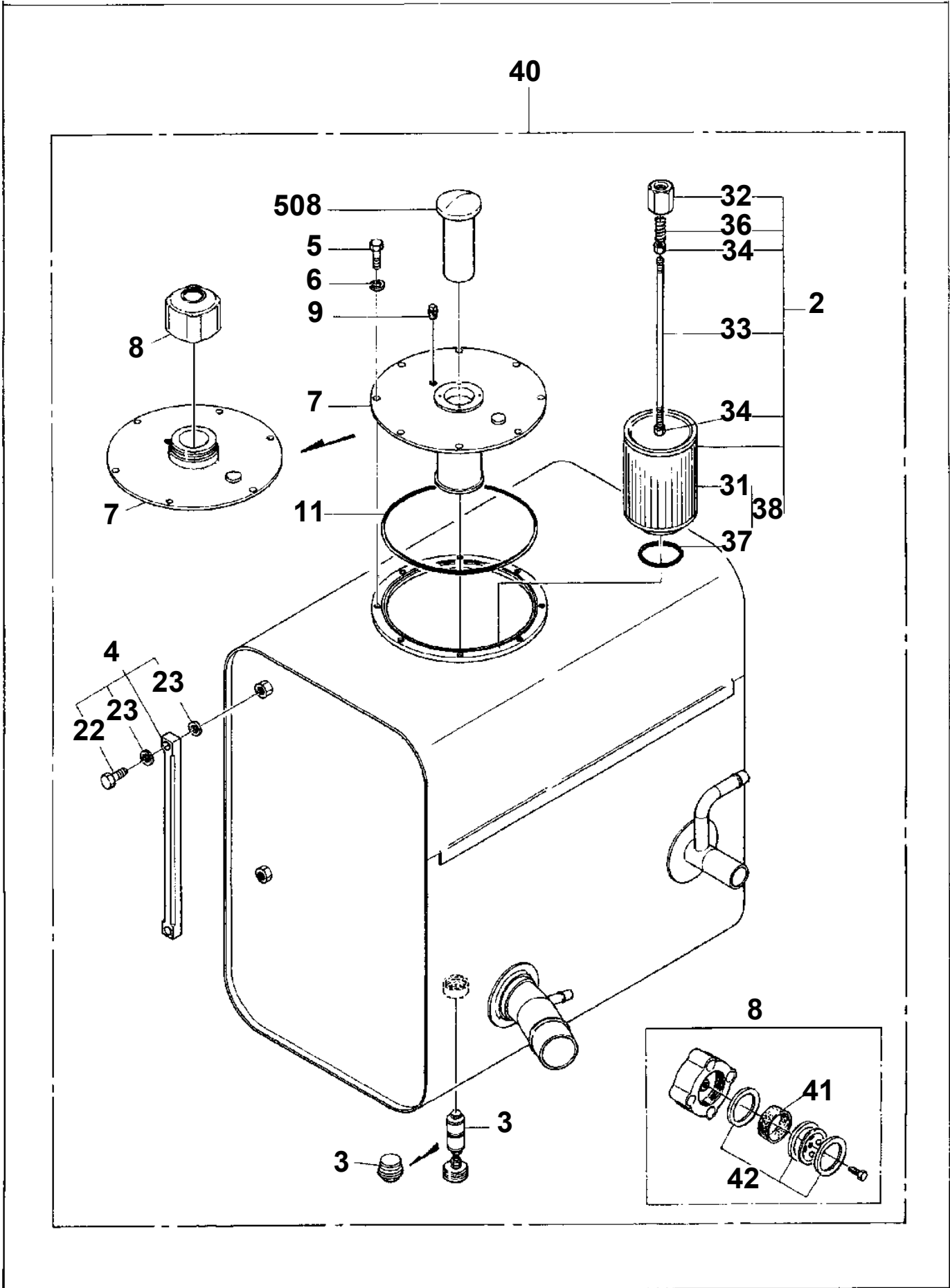
**TR-230E-1-01401 4 BOOM + JIB, 2M2D
PR1000007-01 DRIVING POWER TRANSMISSION SYSTEM**



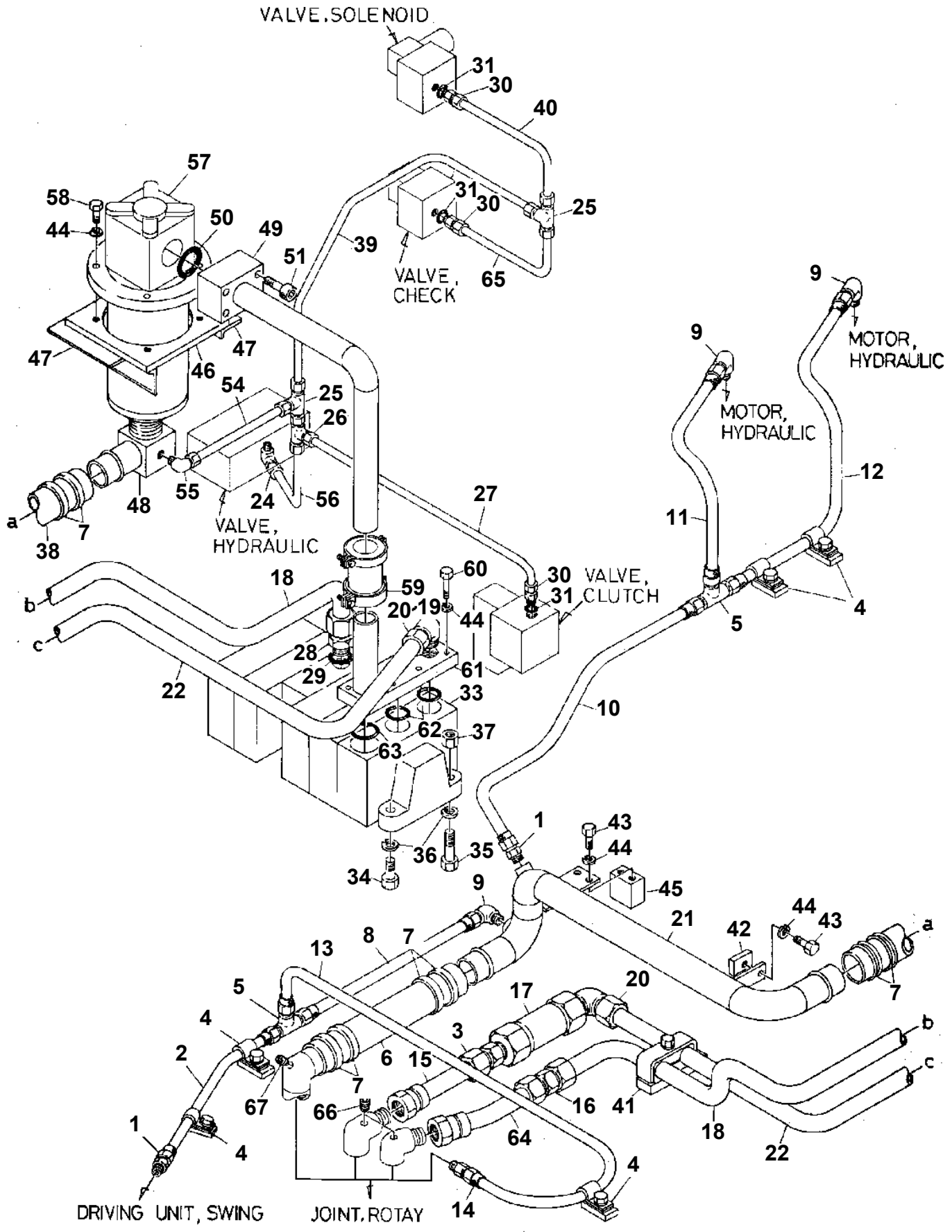
**TR-230E-1-01401 4 BOOM + JIB, 2M2D
PX1000007-01 MOUNTING PARTS**



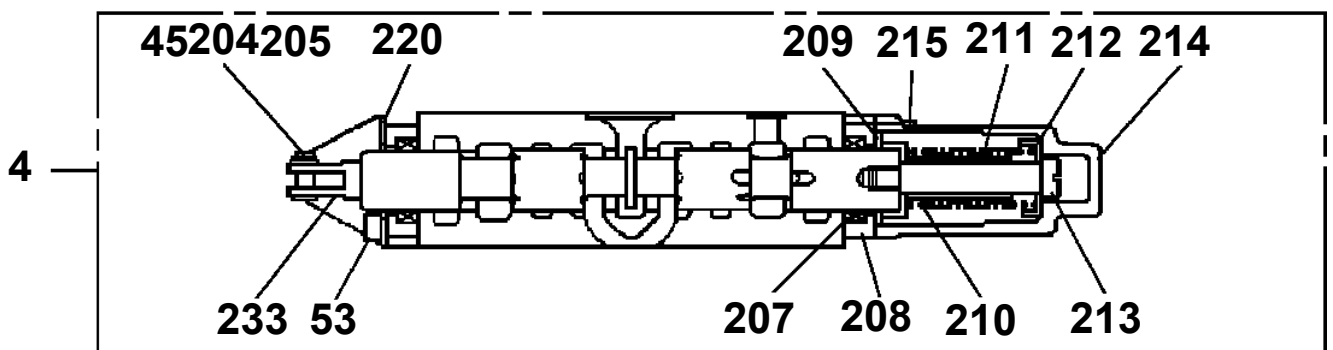
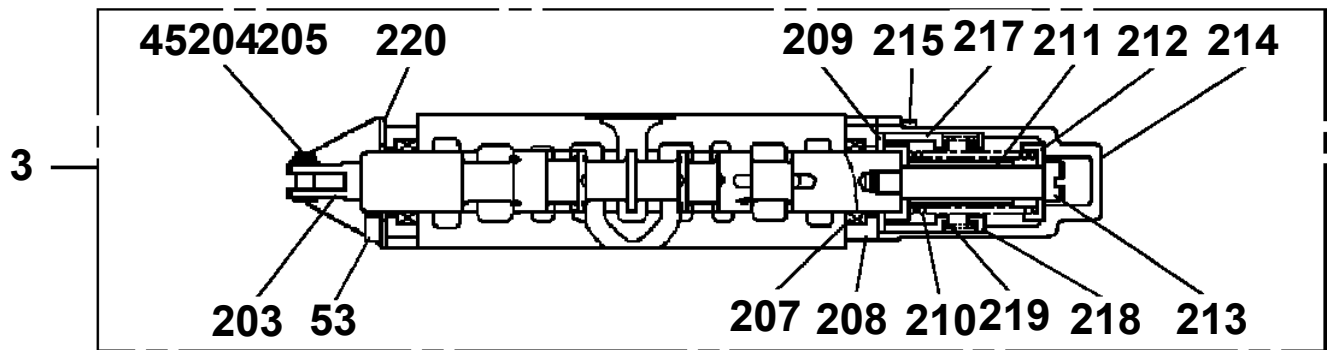
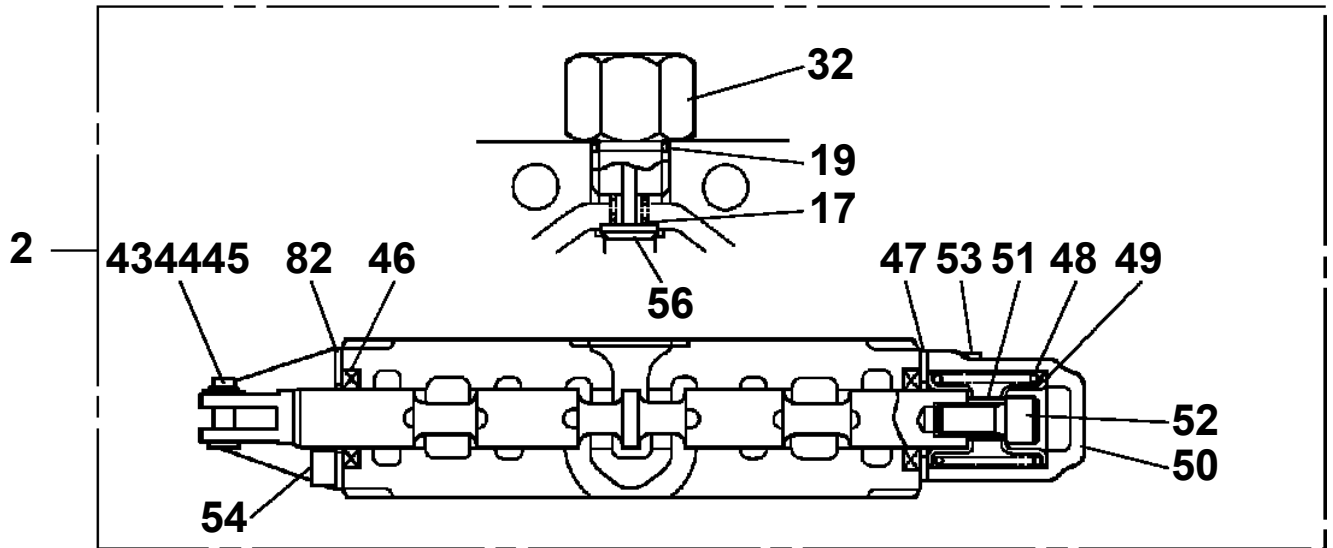
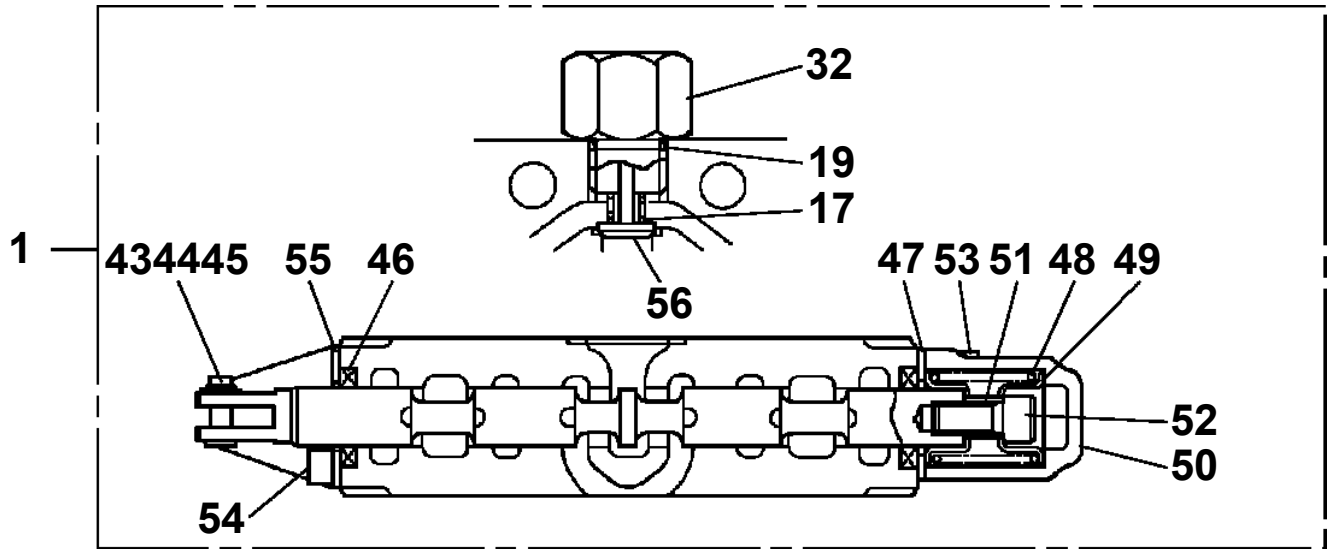
TR-230E-1-01401 4 BOOM + JIB, 2M2D
PB1130112-03 TANK,OIL



TR-230E-1-01401 4 BOOM + JIB, 2M2D
PB1260341-02 PIPING,RETURN (2M2D)



TR-230E-1-01401 4 BOOM + JIB, 2M2D
 PB1320400-02 VALVE, MANUAL CONTROL (SPRING CENTER)



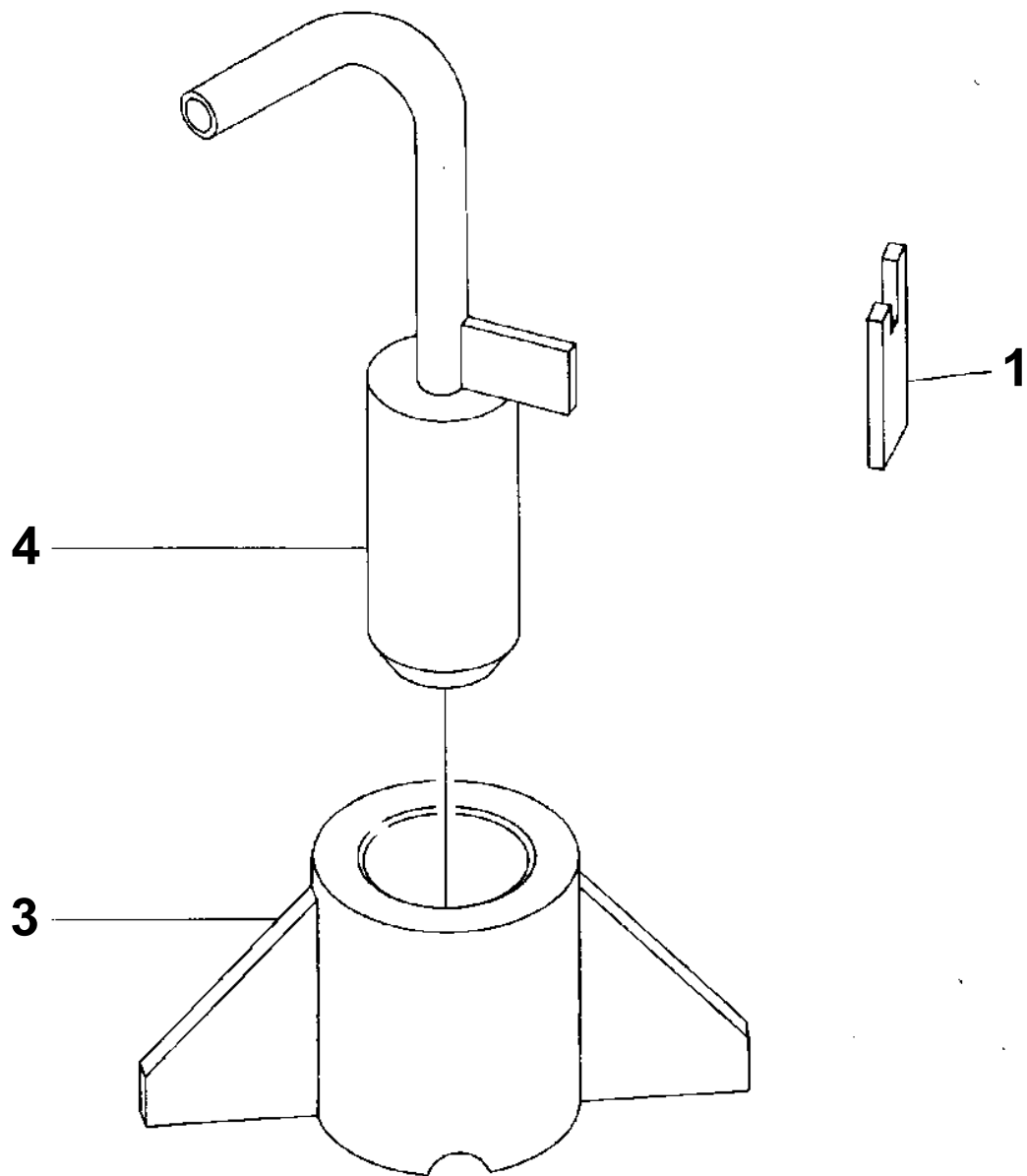
TR-230E-1-01401 4 BOOM + JIB, 2M2D

Pos No.	Parts No	Parts Name	Qty	Unit	Technical Data	Serial No (Start)	Serial No (End)	Remarks	P
1	36040111001	CYLINDER	1				530279		
	36040111002	CYLINDER	1			530280			
2	36040112000	ROD	1						
3	36040000052	COVER,ROD	1						
4	56052154000	PISTON	1						
5	56052155000	WASHER	2				530279		
7	90201202400	NUT	1		M24				
8	91002902500	O-RING	1		1B G25				
9	91002805800	O-RING	1		1B P58				
10	91410204502	RING,BACKUP	1						
11	91660004501	SEAL,DUST	1						
12	91684006500	PACKING	2						
13	91694004500	PACKING	1						
14	90303072401	WASHER,PLAIN	1		24				
15	90302042401	WASHER,SPRING	1		24				
41	36040119903	PACKING SET	1		45X65				
100	36040110001	CYLINDER,EXTENSION	1						

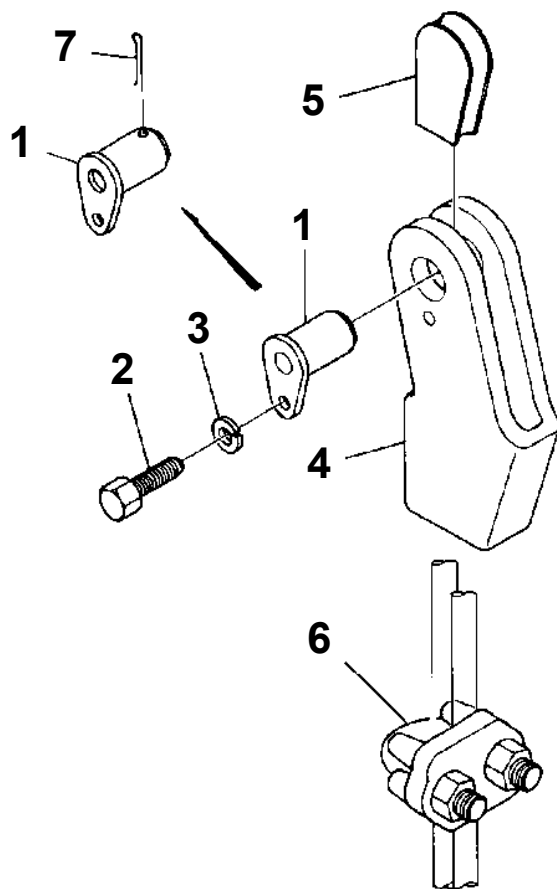
TR-230E-1-01401 4 BOOM + JIB, 2M2D

Pos No.	Parts No	Parts Name	Qty	Unit	Technical Data	Serial No (Start)	Serial No (End)	Remarks
1	36080340000	DRIVING UNIT,SWING	1					
2	90131516050	BOLT,HEXAGON SOCKET	8		M16X50			
3	19413321000	GEAR	1					
4	37001504340	BOLT	4		M12X30			
5	33300040010	WIRE	1					
6	37000536480	PLATE	1					
7	91801300190	CLIP	2		D=16-19			
8	37000907050	JOINT	1					
9	80316030020	PLUG	1		PT1/8			
10	33300020200	JOINT	1					
11	37002300090	BEARING,SWING (NTN)	1					
	37002300120	BEARING,SWING (NACHI)	1					
	37002300950	BEARING,SWING (ROBALLO)	1					
12	90302041601	WASHER,SPRING	8		16			
13	37002502520	HOSE	8					
14	82100002008	CLAMP	1		WR12			
15	90201200600	NUT	1		M6			
16	90190000012	BOLT,STUD	1		M6X25			
17	90302040601	WASHER,SPRING	1		6			
18	80731130063	PIN	2					
19	37000500570	SUPPORT	2					
20	37000536450	PLATE	1		T=0.5			
21	37000536460	PLATE	1		T=1.0			

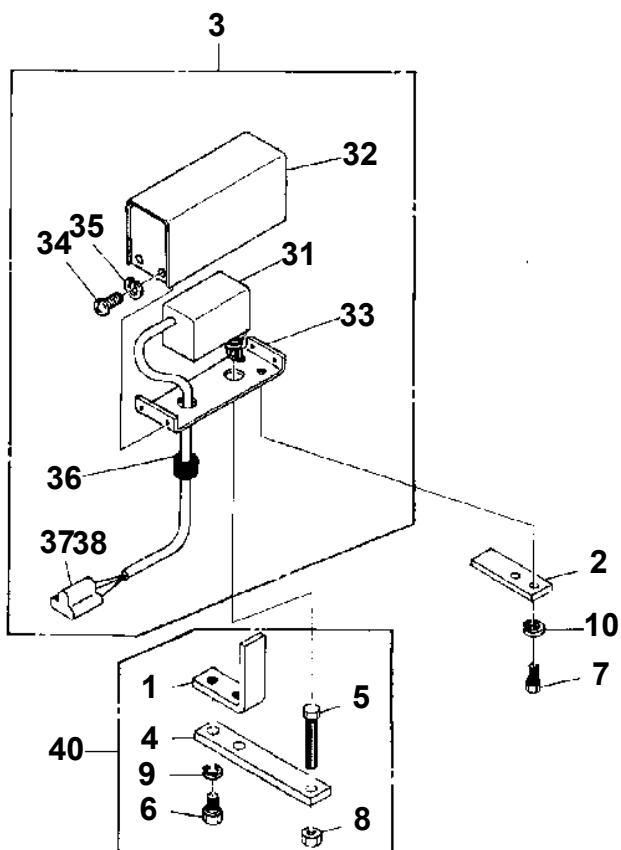
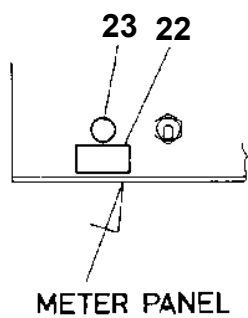
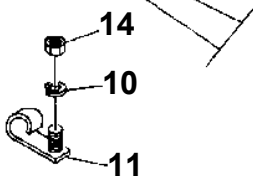
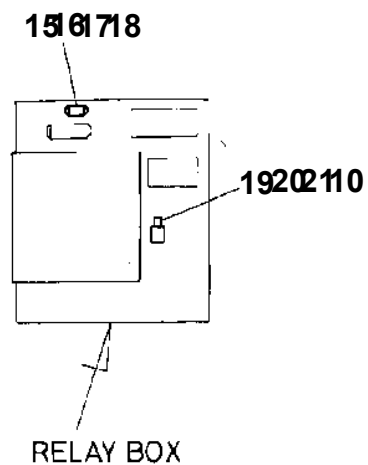
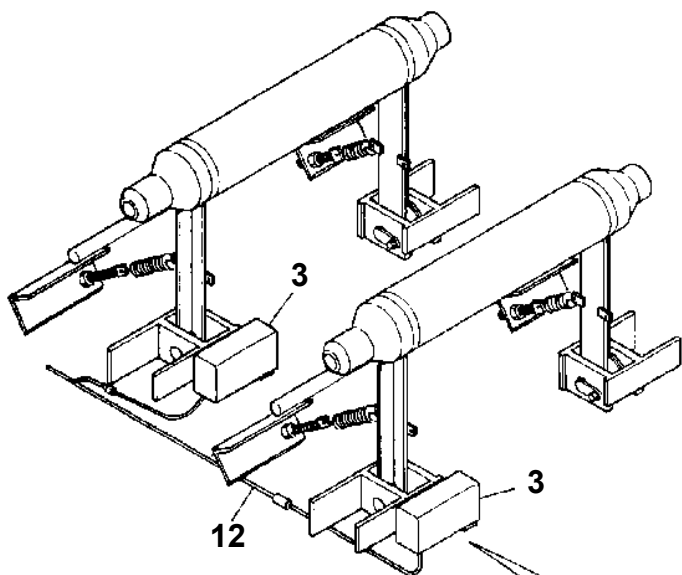
TR-230E-1-01401 4 BOOM + JIB, 2M2D
PD1140020-00 LOCK, SWING FRAME



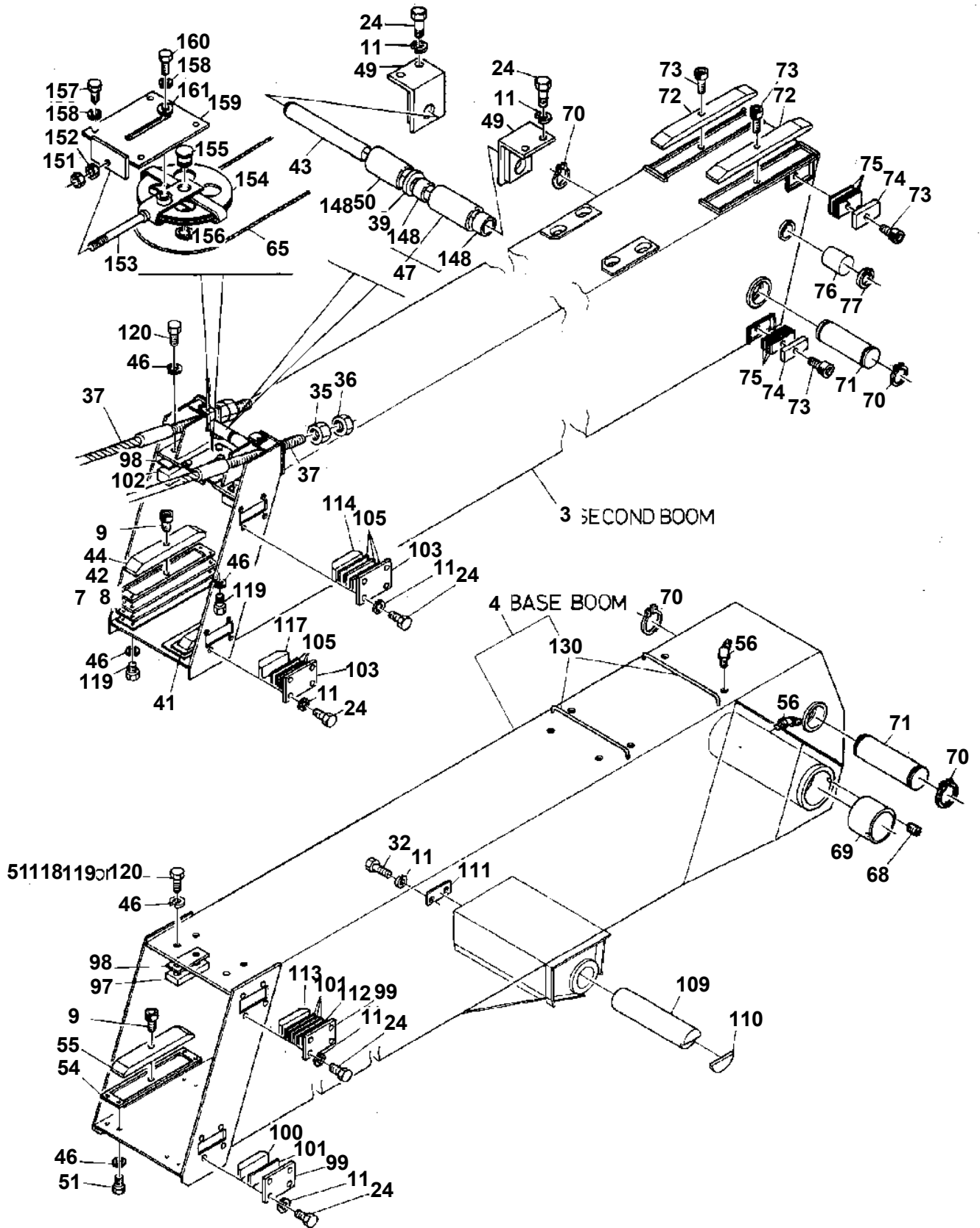
TR-230E-1-01401 4 BOOM + JIB, 2M2D
PF1090001-01 SOCKET,ROPE (WG. NL. FIN.)



TR-230E-1-01401 4 BOOM + JIB, 2M2D
PF1190004-00 DETECTOR, OVER UNWIND (OPTION)



TR-230E-1-01401 4 BOOM + JIB, 2M2D
PG1010210-00 BOOM (4-SECTION)



TR-230E-1-01401 4 BOOM + JIB, 2M2D

Pos No.	Parts No	Parts Name	Qty	Unit	Technical Data	Serial No (Start)	Serial No (End)	Remarks	Pages
1	36670545010	REEL,HOSE	1				530266		
	36670545011	REEL,HOSE	1			530267			
2	80515006007	BEARING,BALL	1						
3	80601110350	RING,RITAINING	1		S35				
4	16246595020	RING ASSY (RL)	2						
6	80515006008	BEARING,BALL	1						
7	90201200600	NUT	6		M6				
8	90302040601	WASHER,SPRING	6		6				
9	36670545020	PIN	1				530266		
	36670545021	PIN	1			530267			
10	16246574000	RING,FELT	1						
11	16246579000	BOLT	4				530379		
	90102208016	BOLT	4		M8X16	530380			
12	90302040801	WASHER,SPRING	4		8				
13	16246580000	WIRE	2		1.2X120		530379		
14	36670545030	SPRING	1						
15	36670124001	CASE	1						
16	16246577000	PLATE	1						
17	36670545040	PLATE	1						
18	16246581000	RUBBER	1						
19	80316030060	PLUG	1		PT3/8		530266		
20	36670545050	SPACER	1				530266		
	36670545051	SPACER	1			530267			
21	36670545060	SEAL,OIL	1						
22	90710005080	SCREW,SET	1		M5X8				
23	91001203000	O-RING	1		1A G30				
24	36670545070	SEAL,OIL	1						
25	80602110700	RING,RITAINING	1		R70				
26	36671410050	RING,RETAINING	1			530198			
50	36670540001	REEL,HOSE	1						
60	37002401760	HOSE	1		L=8000				
70	34340118011	REEL,HOSE	1						

TR-230E-1-01401 4 BOOM + JIB, 2M2D

Pos No.	Parts No	Parts Name	Qty	Unit	Technical Data	Serial No (Start)	Serial No (End)	Remarks	Pages
1	16311007000	SPACER	1		L=3.5				
2	37001002850	SHEAVE ASSY	1						
3	16411006000	SPACER	1						
4	34441372000	SUPPORT	1						
5	19411422000	GUIDE	1						
7	34440182000	GUIDE ASSY	1						
8	34220000200	GUIDE	1						
9	34440570100	SUPPORT	1						
10	34440260010	BAR	2						
11	90201201000	NUT	2		M10				
12	90302041001	WASHER,SPRING	2		10				
13	34441371000	SUPPORT	1						
14	34440184000	GUIDE	1						
15	33220033230	SUPPORT	1						
16	90101208035	BOLT	2		M8X35				
17	90302040801	WASHER,SPRING	2		8				
18	90201200800	NUT	2		M8				
19	36020070700	PLATE	1						
20	33440450280	BAR	1						
32	80515006214	BEARING,BALL	2						
33	80612111250	RING,RITAINING	1		AR125				
41	34440186350	SUPPORT	1						
42	37001000380	SHEAVE ASSY	2						
43	37000300350	SPACER	4		L=18.5				
44	37000102280	PIN	2						
45	90101210014	BOLT	2		M10X14				
46	90302041001	WASHER,SPRING	6		10				
47	37001101350	ROLLER ASSY	2						
48	37000301420	SPACER	4		L=30				
49	37000109120	PIN	2						
50	80136340028	PIN,SPLIT	4		4X28				
51	90101512020	BOLT	4		M12X20				
52	90302041201	WASHER,SPRING	4		12				
53	37000506000	PLATE	2						
62	80602110620	RING,RITAINING	2		R62				
63	80515006206	BEARING,BALL	4						
	80514006206	BEARING,BALL	4			530191	530190		
64	12111503000	SPACER	2						
72	80516006202	BEARING,BALL	2						
82	90101210020	BOLT	4		M10X20				
84	37000506010	PLATE	2						

TR-230E-1-01401 4 BOOM + JIB, 2M2D

Pos No.	Parts No	Parts Name	Qty	Unit	Technical Data	Serial No (Start)	Serial No (End)	Re
1	34372351300	SUPPORT	1					
2	32370002110	GASKET	1					
3	32370002121	COVER	1					
4	80172303025	SCREW,MACHINE	2		M3X25			
5	90302040301	WASHER,SPRING	2		3			
6	82104102010	SWITCH,LIMIT	1					
7	32370002131	ROD	1					
8	14148373001	SPRING	1					
9	80601110180	RING,RITAINING	1		S18			
10	34371314400	SUPPORT	1					
11	90303070301	WASHER,PLAIN	2		3			
12	82100002283	CONNECTOR	1					
13	82100002355	TERMINAL (GOLD)	2					
14	32370005200	CORD	1					
15	32370005210	CORD	1					
16	82100000592	TERMINAL (M40.3 TO 1.25)	2					
17	89630201000	HOSE,VINYL	1		6X8,1M			
18	14148375000	GROMMET	1					
19	90101208045	BOLT	2		M8X45			
20	90302040801	WASHER,SPRING	2		8			
21	16268231000	LABEL (SWITCH,OVER WINDING)	1					
22	82100001220	INSULATOR	2					
23	82100002329	PLUG	1					
24	82400000201	GROMMET	1		KG-016			
30	32370009512	ROD ASSY	1					
31	32370002150	SPACER	1		L=12 TO 11			
32	80720103014	PIN,SPRING	1		3X14			
50	33370888031	SWITCH ASSY	1					

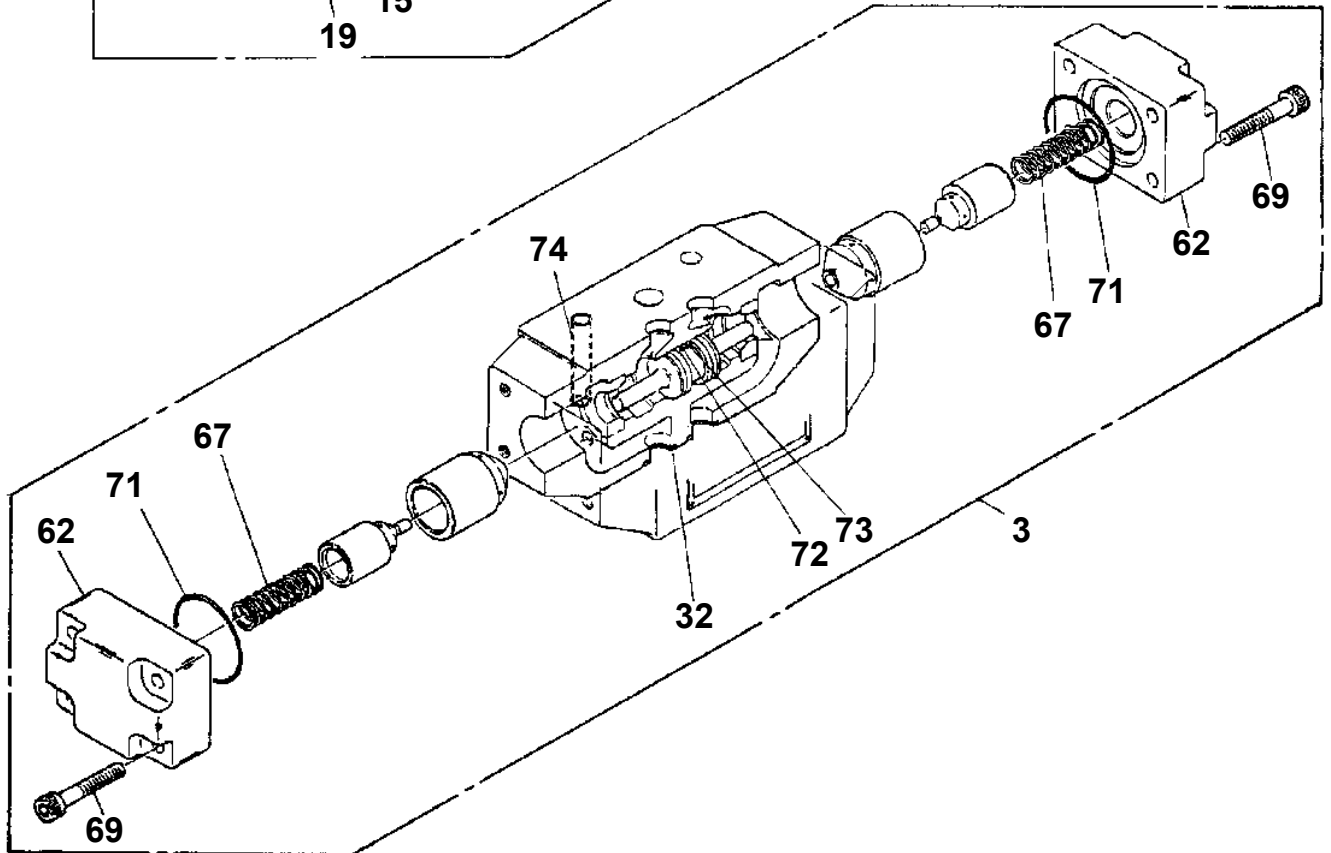
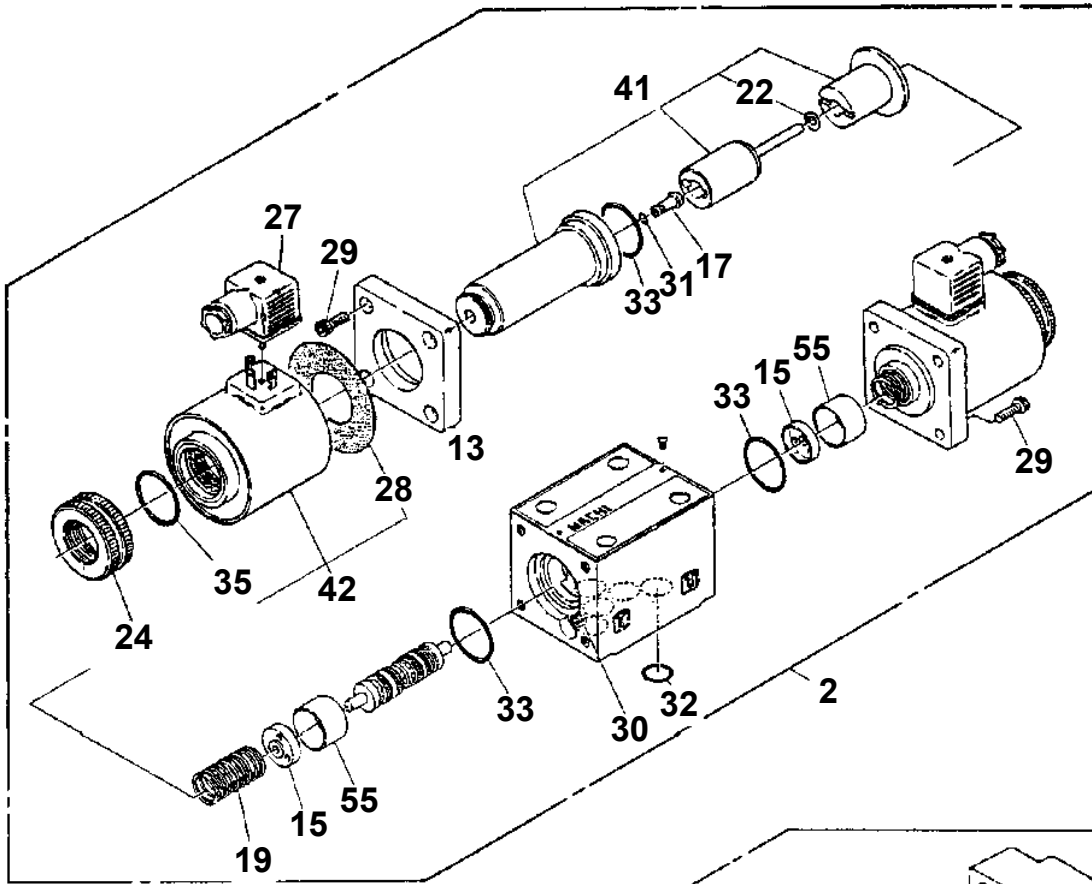
TR-230E-1-01401 4 BOOM + JIB, 2M2D

Pos No.	Parts No	Parts Name	Qty	Unit	Technical Data	Serial No (Start)	Serial No (End)	Remarks
1	37002700360	CABLE	1		L=7000			
2	82100001412	TUBE, SPIRAL	1	M	SE-12BK			
3	90101206050	BOLT	1		M6X50			
4	82100002035	CLAMP	3		WE8			
5	90190000008	BOLT, STUD	24		M6X20			
6	90201200600	NUT	49		M6			
7	90302040601	WASHER, SPRING	25		6			
8	82100002012	CLAMP	16		WR18			
9	82100002004	CLAMP	4		WR8			
10	37002701500	CABLE	1		L=5600			
12	80176304010	SCREW, MACHINE	6		M4X10			
13	90305210401	WASHER	6		4			
15	82100001412	TUBE, SPIRAL	1	M	SE-12BK			
17	36140040000	DETECTOR, ANGLE	1					
18	34360251100	SUPPORT	1					
19	90101208025	BOLT	4		M8X25			
20	90302040801	WASHER, SPRING	5		8			
21	90303100801	WASHER, PLAIN	3		8			
24	34360201030	HARNESS	1					
26	34360201020	SUPPORT	1					
28	82100002014	CLAMP	2		WR20			
29	90303070601	WASHER, PLAIN	25		6			
31	90131508018	BOLT, HEXAGON SOCKET	1		M8X18			
32	90201200800	NUT	4		M8			

TR-230E-1-01401 4 BOOM + JIB, 2M2D

Pos No.	Parts No	Parts Name	Qty	Unit	Technical Data	Serial No (Start)	Serial No (End)	Remarks
8	36060175030	PACKING	1					
9	36060175040	JOINT,PIPE	1					
10	36060175050	CONNECTOR (PIPE)	1					
11	18335116940	BREATHER,AIR	1					
12	59451302360	CAP (AIR BLEEDER SCREW)	1					
20	36060175010	INNER KIT	1					
30	36060175020	ROD,PUSH	1					
40	36060170000	CYLINDER,MASTER	1					

TR-230E-1-01401 4 BOOM + JIB, 2M2D
PI1120019-00 VALVE, SOLENOID



TR-230E-1-01401 4 BOOM + JIB, 2M2D

Pos No.	Parts No	Parts Name	Qty	Unit	Technical Data	Serial No (Start)	Serial No (End)	Remarks	Pages
9	36640075010	COIL	1				530379		
11	36640075020	NUT	1				530379		
12	91002800300	O-RING	1		1B P3		530379		
13	91002801200	O-RING	1		1B P12				
14	91002801600	O-RING	1		1B P16				
15	91001102100	O-RING	1		1A P21		530379		
16	91000511800	O-RING	1				530379		
17	91001003800	O-RING	1		S38		530379		
19	36640485030	CONNECTOR	1				530379		
35	36640075040	COIL,SOLENOID	1			530380			
37	36643995040	NUT	1			530380			
40	36642465220	O-RING	1			530380			
41	36640075050	O-RING	1			530380			
42	91001101800	O-RING	1		1A P18	530380			
100	36640070000	VALVE,SOLENOID	1						

TR-230E-1-01401 4 BOOM + JIB, 2M2D

Pos No.	Parts No	Parts Name	Qty	Unit	Technical Data	Serial No (Start)	Serial No (End)	Remarks	Pages
1	59451304030	SPRING	1						
3	59451304050	CAP	1						
4	59451304010	O-RING	1						
5	59451304000	VALVE,CHECK	1						

TR-230E-1-01401 4 BOOM + JIB, 2M2D

Pos No.	Parts No	Parts Name	Qty	Unit	Technical Data	Serial No (Start)	Serial No (End)	Remarks	Pages
2	36620025020	PLUG	1						
3	36620025030	PLUG	1						
4	36620025040	FILTER	1						
5	36620025050	SPRING	1						
6	91002801400	O-RING	1		1B P14				
7	91002800800	O-RING	1		1B P8				
8	19491046020	PLUG	5		NPTF1/16				
9	80560058000	BALL,STEEL	1		9/32				
10	36620085010	PLUG	1		PT1/4				
30	36620080000	VALVE,CHECK	1						

TR-230E-1-01401 4 BOOM + JIB, 2M2D

Pos No.	Parts No	Parts Name	Qty	Unit	Technical Data	Serial No (Start)	Serial No (End)	Remarks
1	59152406000	SPRING	1					
2	59252401000	CASE	1					
3	90131510045	BOLT,HEXAGON SOCKET	4		M10X45			
4	90302041001	WASHER,SPRING	8		10			
5	59252402000	GUIDE	1					
6	91660002800	SEAL,DUST	2					
7	91694002800	PACKING	2					
8	91411202801	RING,BACKUP	2					
11	36640100300	ROD	1					
12	36640100400	RETAINER	1					
13	91660001800	SEAL,DUST	1					
14	80622000180	RING,RITAINING	1		SP18			
15	91625001800	PACKING	1					
16	91410601800	RING,BACKUP	1					
17	90131510070	BOLT,HEXAGON SOCKET	4		M10X70			
18	36640100500	CYLINDER	1					
19	16236200200	PLUG	1					
20	59157074000	CAP	1					
30	36640100000	VALVE,CONTROL	1					

TR-230E-1-01401 4 BOOM + JIB, 2M2D

Pos No.	Parts No	Parts Name	Qty	Unit	Technical Data	Serial No (Start)	Serial No (End)	Remarks
4	36670205010	VALVE ASSY	1					
5	36670205020	SPRING	1					
6	36670205030	FILTER	1					
7	91001212500	O-RING	1		1A G125			
8	36670205040	PACKING	1					
9	90101210020	BOLT	4		M10X20			
10	90304121001	WASHER,TOOTH	4		10			
11	90303071001	WASHER,PLAIN	4		10			
12	90131512030	BOLT,HEXAGON SOCKET	4		M12X30			
13	80316030020	PLUG	1		PT1/8			
30	36670200000	FILTER,OIL	1					

CLICK HERE TO **DOWNLOAD** THE COMPLETE MANUAL

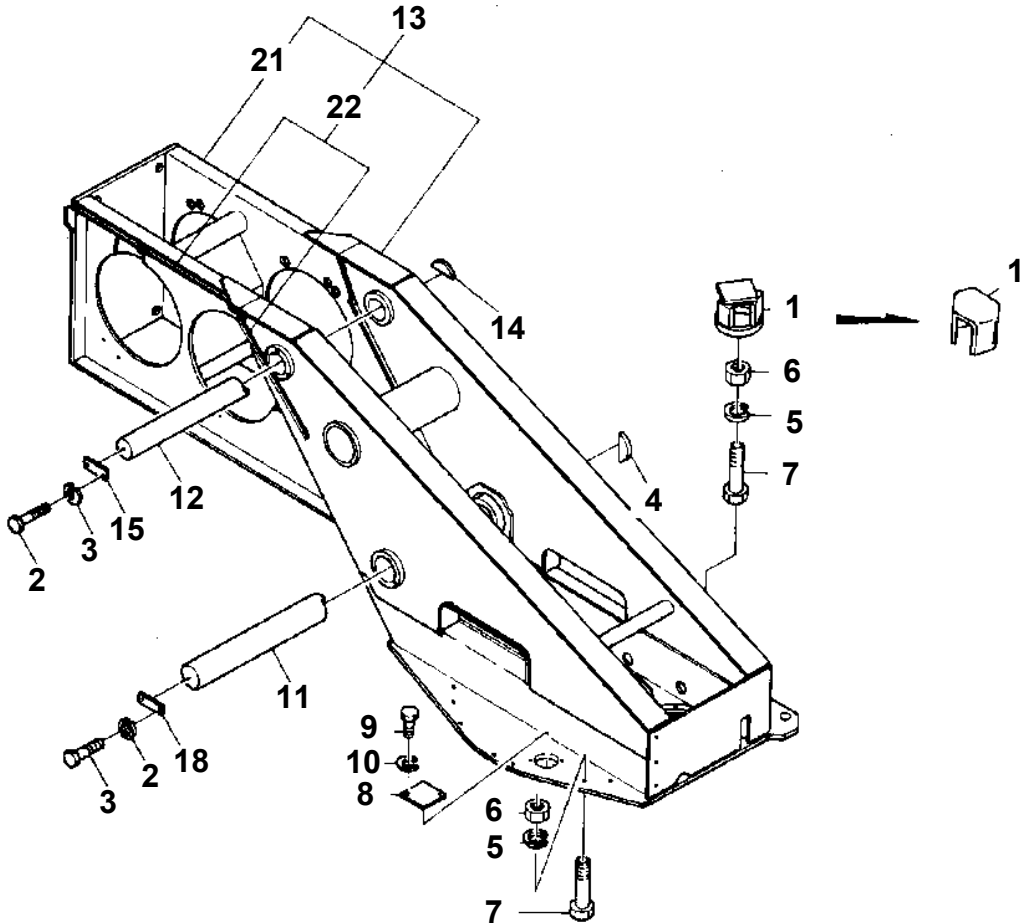
- Thank you very much for reading the preview of the manual.
- You can download the complete manual from: www.heydownloads.com by clicking the link below



- Please note: If there is no response to CLICKING the link, please download this PDF first and then click on it.

CLICK HERE TO **DOWNLOAD** THE COMPLETE MANUAL

TR-230E-1-01401 4 BOOM + JIB, 2M2D
PK1100260-01 SWING FRAME



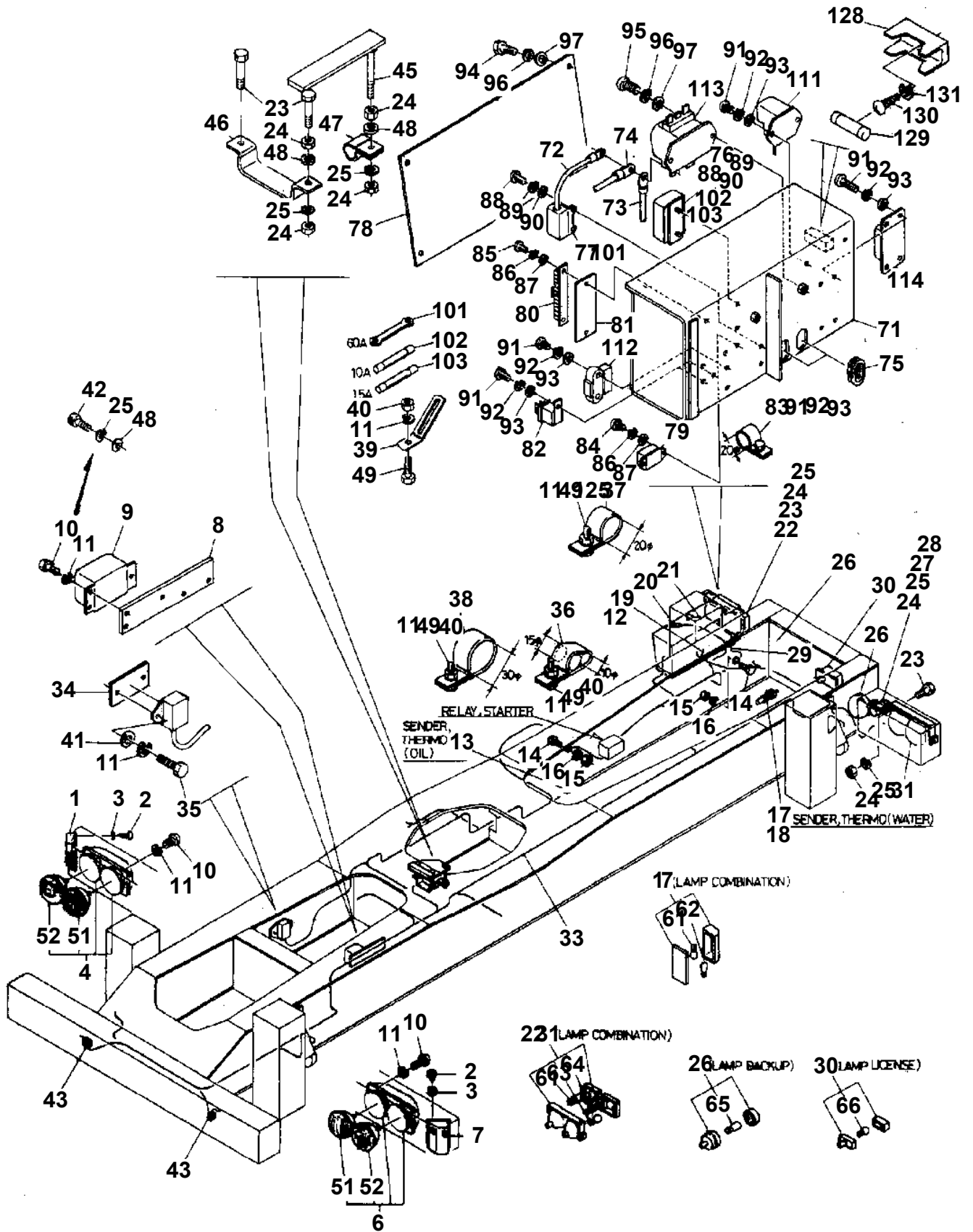
TR-230E-1-01401 4 BOOM + JIB, 2M2D

Pos No.	Parts No	Parts Name	Qty	Unit	Technical Data	Serial No (Start)	Serial No (End)
118	34260005130	BAR ASSY (SUNBAIZER)	1				
121	34260005140	STOPPER	1				
123	34260005150	STOPPER	1				
127	19042700020	GLASS (FRONT)	1				
128	34260005340	RUBBER (H,FRONT)	1				
129	34260005350	WEDGE (H RUBBER)	1				
131	34260005160	GLASS	1				
132	34260005170	WEATHER STRIP (SIDE GLASS)	3				
134	34260005180	LOCK ASSY (WINDOW)	3				
141	34260005190	HOLDER ASSY (GLASS)	1				
142	34260035260	HOLDER ASSY (GLASS)	4				
151	34260005200	GLASS (FRONT SIDE)	1				
152	34260005210	RUBBER (H)	1				
153	34260005220	WEDGE (H RUBBER)	1				
155	34260025320	GLASS (ROOF)	1				
156	34260005240	CHANNEL (ROOF GLASS,RUBBER)	1				
157	34260005250	GUTTER (ROOF GLASS)	1				
158	34260005260	GUTTER (ROOF GLASS/REAR)	1				
159	34260005270	HANDLE ASSY (ROOF INNER)	1				
165	34260005280	LOCK ASSY (ROOF)	1				
169	34260005290	HOOK ASSY (ROOF GLASS)	1				
173	34260017510	SASH ASSY	1				
174	34260005310	RUBBER (U)	1		L=600		
175	90915130160	SCREW,TAPPING	10		M3X16		
176	34260035250	GLASS (SIDE&REAR)	2				
180	34260005330	CUSHION (DOOR SIDE)	1				
181	34260005360	CUSHION (UNDER,DOOR SIDE)	1				
182	82100000395	NOZZLE (WINDOW WASHER)	1				
183	82100000534	MOTOR,WIPER	1				530176
	34260025310	MOTOR ASSY (WITH LINK)	1			530177	
189	82100000536	ARM,WIPER	1				530176
	34260125040	ARM,WIPER	1			530177	
190	80162106016	SCREW	1		M6X16		
191	82100000535	BLADE,WIPER	1				530176
	34260015190	BLADE,WIPER	1			530177	
193	34260025030	BOX ASSY (WIPER)	1				
200	34260025040	MOTOR (FRONT WIPER)	1				
202	82100000339	ARM,WIPER (FRONT,500)	1				
203	80162105016	SCREW	1		M5X16		
204	82100000340	BLADE,WIPER (FRONT,400)	1				
205	34260025330	SUPPORT ASSY	1				
213	82100001167	MOTOR,WIPER	1				
217	82100000394	ARM,WIPER (ROOF)	1				
218	82100000343	BLADE,WIPER (ROOF)	1				
220	34260005440	GROMMET	1		12		
222	34260005460	GROMMET	1				
224	82100000610	LAMP,ROOM	1				
226	80162104012	SCREW,MACHINE	2		M4X12		
227	90303070401	WASHER,PLAIN	2		4		
230	82100000537	SWITCH (DOOR)	1				
231	34260005490	HARNESS (COIL)	1				
232	34260005500	GROMMET	4				
233	34260025070	RAIL ASSY	1				
234	34260005570	GROMMET	2		8		
238	34260005590	RAIL (F)	1				
239	34260025080	SUPPORT ASSY (FRONT)	1				
244	34260025150	DOOR ASSY (SLIDE TYPE,LEFT-TYPE)	1				
246	34260005520	GLASS (DOOR)	1				
247	34260005530	CHANNEL (DOOR GLASS)	1				
248	34260025160	REGULATOR ASSY	1				
254	34260025170	HANDLE ASSY (OUTER)	1				
257	34260025350	LATCH ASSY (LH)	1				
261	34260035160	HANDLE (INNER)	1				

TR-230E-1-01401 4 BOOM + JIB, 2M2D

Pos No.	Parts No	Parts Name	Qty	Unit	Technical Data	Serial No (Start)	Serial No (End)	Remarks
77	90266201200	NUT	5		M12			
81	31320020020	KNOB (RED)	1					
101	19414561000	PIN	1					
105	34320022100	SUPPORT	1					
106	34320180200	LEVER ASSY	1					
107	34320180400	LEVER ASSY	1					
111	34320003210	KNOB (BLACK)	2					
115	34320002401	ROD	2					
117	82100001033	SWITCH,PUSH	2					
120	82100001015	CONNECTOR	2					
121	82100000967	TERMINAL	4					
122	82100001141	CLAMP	2		D=8.4			
123	80172304008	SCREW,MACHINE	2		M4X8			
124	90302040401	WASHER,SPRING	2		4			
128	82100001425	CABLE	2					
160	80136332028	PIN,SPLIT	1		3.2X28			
165	90302040801	WASHER,SPRING	1		8			
170	80136325014	PIN,SPLIT	2		2.5X14			
175	90303100801	WASHER,PLAIN	2		8			
180	34320028050	ROD ASSY	1					

TR-230E-1-01401 4 BOOM + JIB, 2M2D
 PN1010524-01 ELEC.ASSY (LOWER)



TR-230E-1-01401 4 BOOM + JIB, 2M2D

Pos No.	Parts No	Parts Name	Qty	Unit	Technical Data	Serial No (Start)	Serial No (End)	Remarks
20	59481004000	BATTERY	2				530253	
	82100000712	BATTERY (YUASA,115F51)	2					
	82100000298	BATTERY (MATSUSHITA)	2					
	34930096000	BATTERY (YUASA,170F51)	2			530254		
21	34780012100	COVER	1					
22	34780012200	SUPPORT	1					
23	34780012301	SUPPORT	1					
24	34780012400	BOLT	2					
25	90258901000	NUT,WING	2		M10			
26	90302041001	WASHER,SPRING	2		10			
27	90303071001	WASHER,PLAIN	8		10			
28	90201201000	NUT	8		M10			

TR-230E-1-01401 4 BOOM + JIB, 2M2D

Pos No.	Parts No	Parts Name	Qty	Unit	Technical Data	Serial No (Start)	Serial No (E
1	37002205170	PLATE,NAME (HYDRAULIC OIL LL)	1				530399
	37002205210	PLATE,NAME (OIL ISO VG46 ,EXP)	1				530399
	37002217330	PLATE,CAUTION (TADANO HYDRAULIC)	1			530400	
	37002219500	PLATE,CAUTION (OIL/FOR EXP.)	1			530400	

TR-230E-1-01401 4 BOOM + JIB, 2M2D

Pos No.	Parts No	Parts Name	Qty	Unit	Technical Data	Serial No (Start)	Serial No (End)
1	37002201970	PLATE,NAME (OIL PRESS /CLUTCH)	1				
2	34390255010	PLATE,NAME	1				
3	37002201770	PLATE,NAME (GREASE)	69				
4	34390845010	PLATE,NAME	4				

TR-230E-1-01401 4 BOOM + JIB, 2M2D

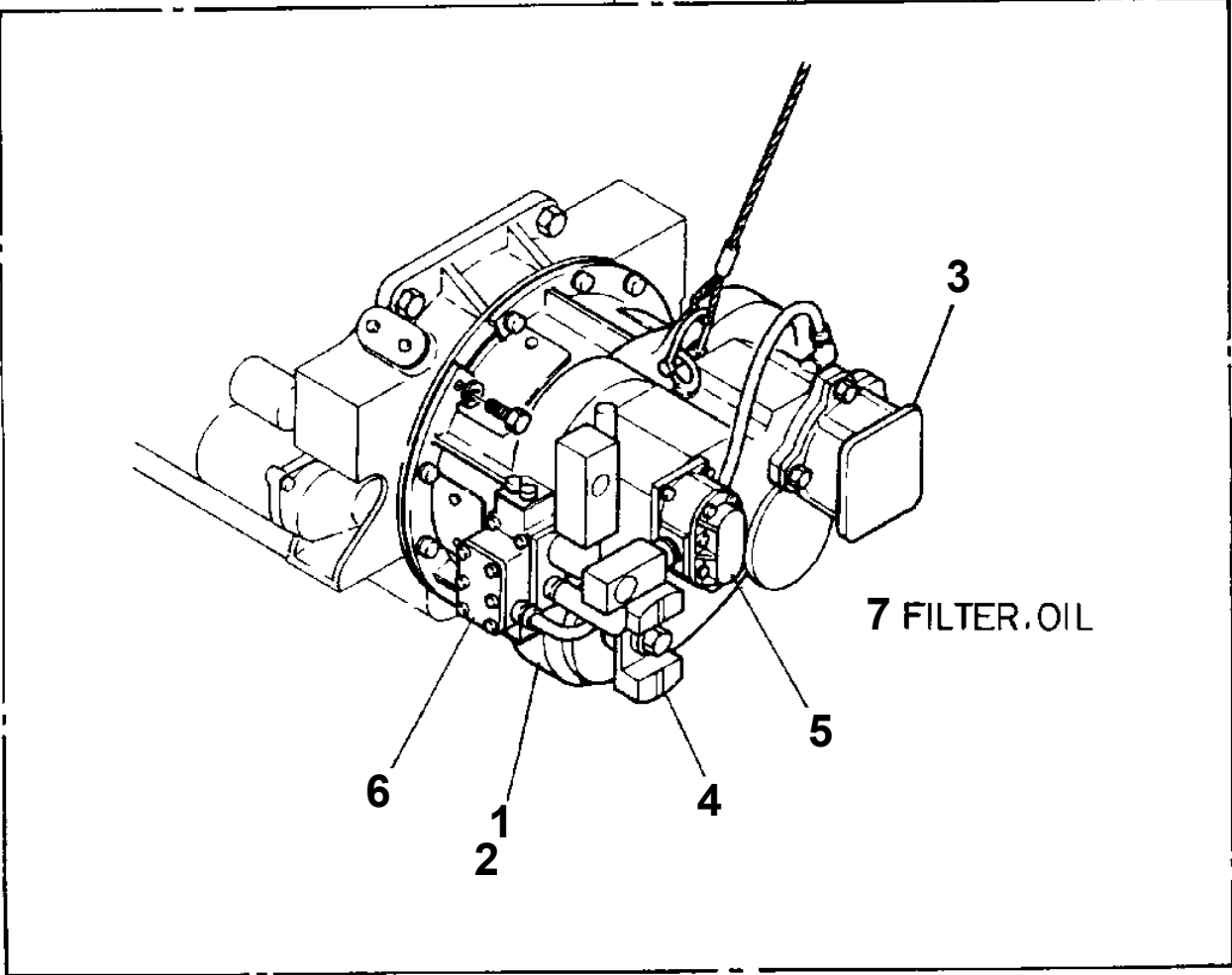
Pos No.	Parts No	Parts Name	Qty	Unit	Technical Data	Serial No (Start)	Serial No (End)	Remarks	Pages
1	34880030010	PIPE,STEEL	1		10/3M				
2	34880030020	PIPE,STEEL	1		10/3M				
3	34880060070	HOSE	1		L=70				
4	34880010500	HOSE	1		L=500				
5	34880010650	HOSE	1				530177		
6	34880220900	HOSE	1						
7	34780000070	ADAPTER	1		8-10				
8	34780008010	SUPPORT ASSY	1						
9	34780002000	SUPPORT	2						
10	34780003000	BAND	2						
11	36100110000	TANK,FUEL (250L)	1				530279		00015
	36101390000	TANK,FUEL (250L)	1			530280			00014
12	33760030050	CUSHION	3						
13	37000100880	PIN	2						
14	80136332020	PIN,SPLIT	4		3.2X20				
15	37000702280	CLAMP ASSY	1						
17	82100002040	CLAMP	1		WE15				
18	37000300720	SLEEVE	8		12-10				
21	90201201000	NUT	4		M10				
22	90101212030	BOLT	4		M12X30				
23	90201201200	NUT	4		M12				
24	90302041201	WASHER,SPRING	4		12				
25	90101208040	BOLT	1		M8X40				
26	90201200800	NUT	2		M8				
27	90303070801	WASHER,PLAIN	1		8				
28	90302040801	WASHER,SPRING	1		8				
29	33760231210	CUSHION	3						
30	59256102000	SENDER,FUEL	1				530252		
	34880305000	SENDER,FUEL	1			530253	530279		
	34880306000	SENDER,FUEL	1			530280			
31	34780008020	BAND ASSY	2						
32	91803600160	CLIP	10		D=11-16				
33	34880160700	HOSE	1		10,L=700	530178			
40	34780001000	SUPPORT	1						

TR-230E-1-01401 4 BOOM + JIB, 2M2D

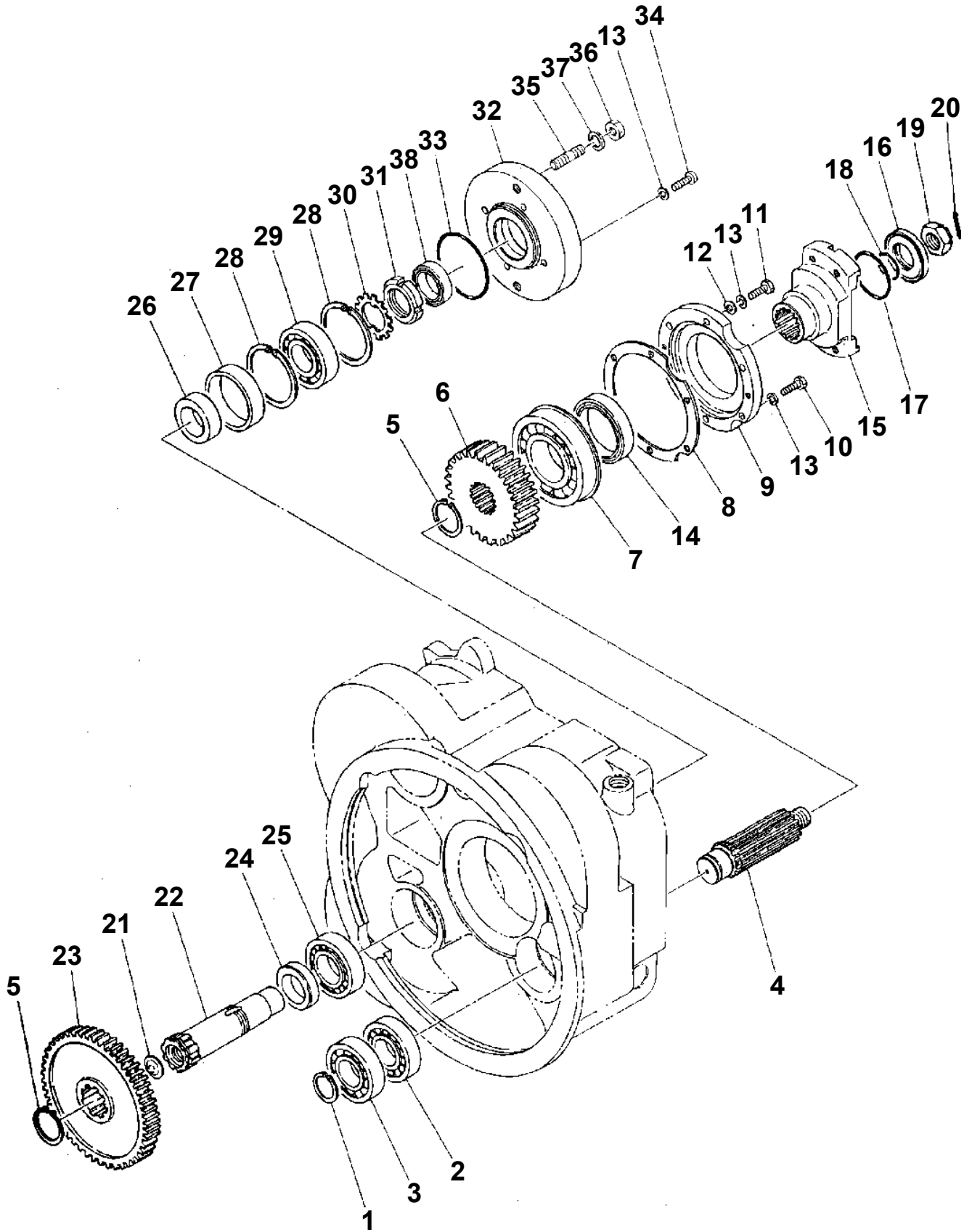
Pos No.	Parts No	Parts Name	Qty	Unit	Technical Data	Serial No (Start)	Serial No (End)	Remarks	P
1	59032271000	FILTER,FUEL (OPTION)	1						
4	59032271010	ELEMENT KIT	1						
5	59032271020	COVER	1						
6	59032271030	CASE	1						
7	59032271040	BOLT (CENTER)	1						
8	59032271050	SPRING	1						
9	59032271060	RETAINER	1						
10	59032271070	PLUG	1						
11	59032271080	PLUG ASSY	1						
12	59032271090	O-RING	1						

TR-230E-1-01401 4 BOOM + JIB, 2M2D
PR1100004-02 TORQUE CONVERTER

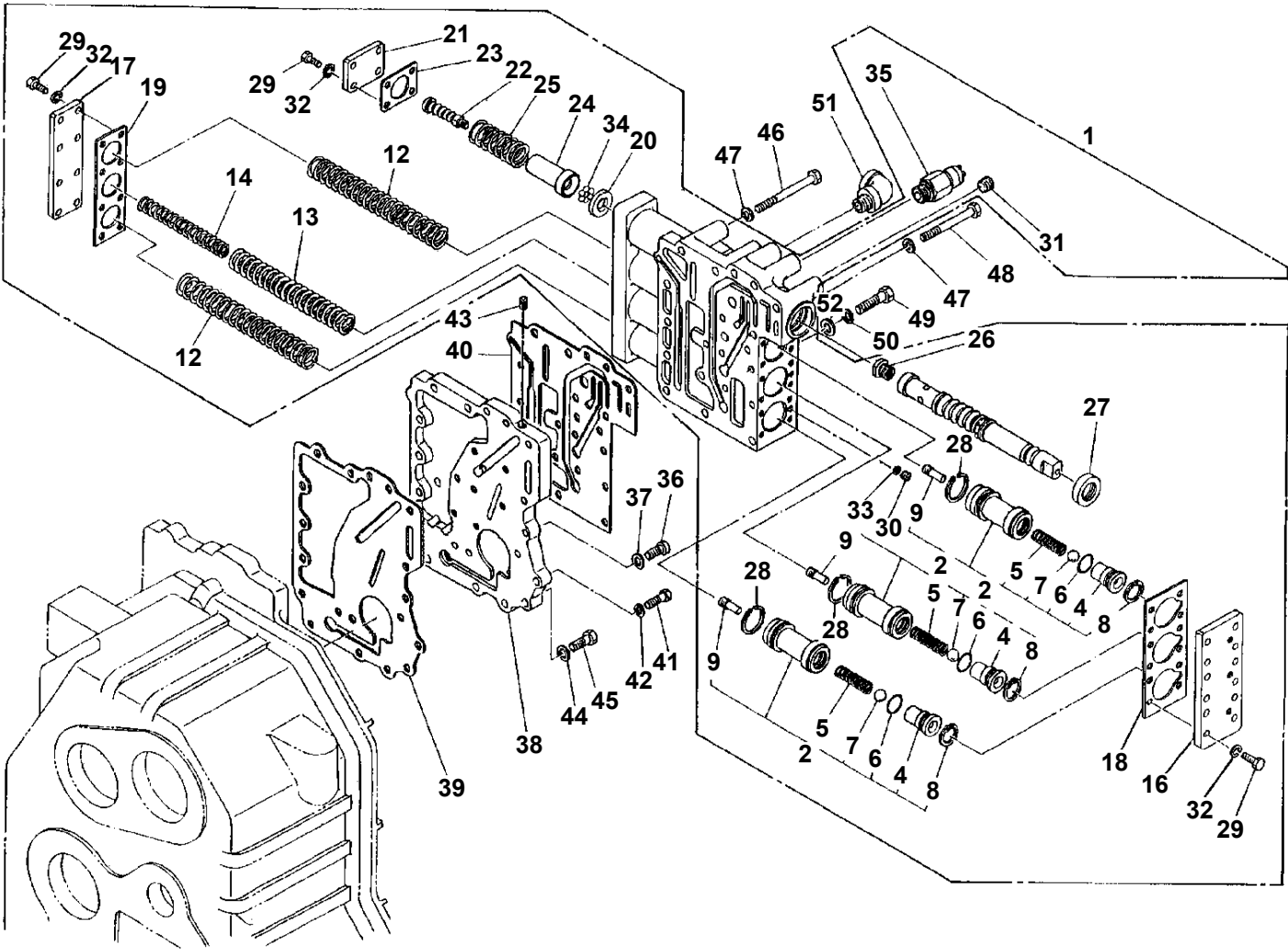
10



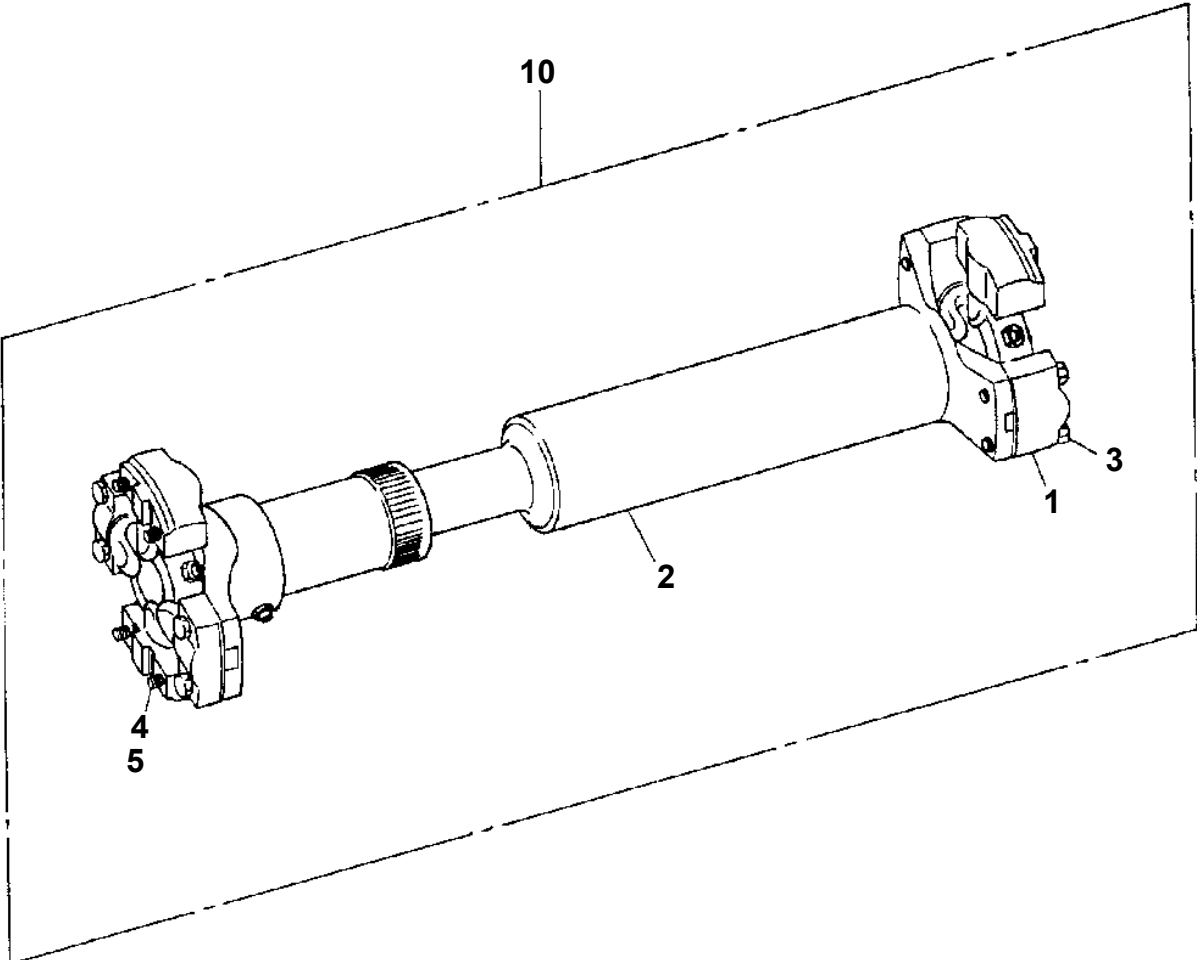
TR-230E-1-01401 4 BOOM + JIB, 2M2D
PR1160003-00 OUTPUT SHAFT, TORQUE CONVERTER



TR-230E-1-01401 4 BOOM + JIB, 2M2D
PR1560002-00 VALVE,CONTROL (TRANSMISSION)



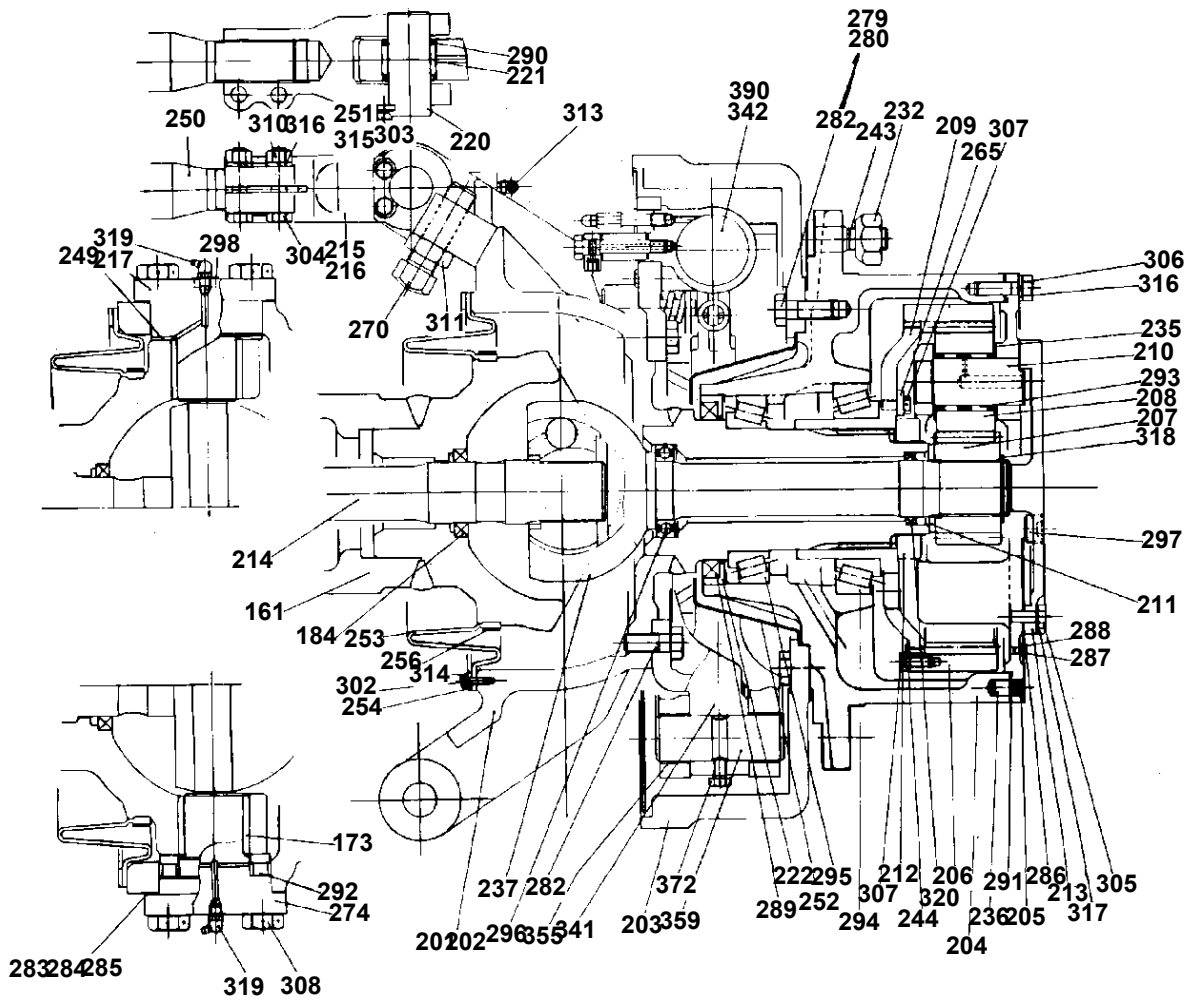
TR-230E-1-01401 4 BOOM + JIB, 2M2D
PR1600020-02 PROPELLER SHAFT, DRIVING



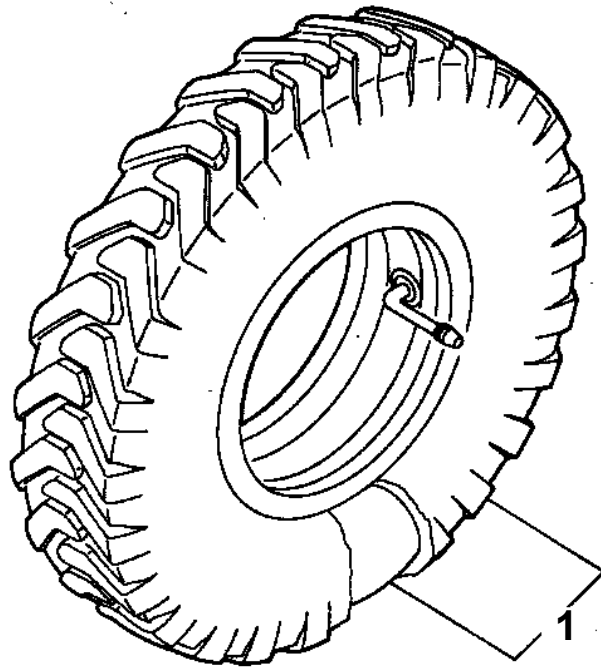
TR-230E-1-01401 4 BOOM + JIB, 2M2D

Pos No.	Parts No	Parts Name	Qty	Unit	Technical Data	Serial No (Start)	Serial No (End)
360	59172050080	CAM	4				
361	59172050100	SHAFT (CAM)	4				
362	59172050110	SPRING	4				
363	59172050130	RETAINER (SPRING)	4				
364	59172050140	WASHER,SPRING	4				
365	59172050151	SPRING	2				
372	34680006020	BOLT	16		M10		
390	34680015090	PISTON ASSY(PISTONX2 CUPX2.BACKUPX2)	2				
	34680015071	INNER KIT (AKEBONO, WITHOUT PISTON ASSY)	2				
391	34680007010	PINION & GEAR ASSY (DRIVE)	1				
392	34680007020	FLANGE ASSY	1				
393	34680007030	CARRIER ASSY (WITH CAP)	1				
394	34680007040	CASE ASSY	1				
	36380675050	CASE ASSY (DIFF.GEAR)	1			530289	530289
400	34680010001	AXLE,DRIVING (NON SPIN DIFF.REAR)	1				

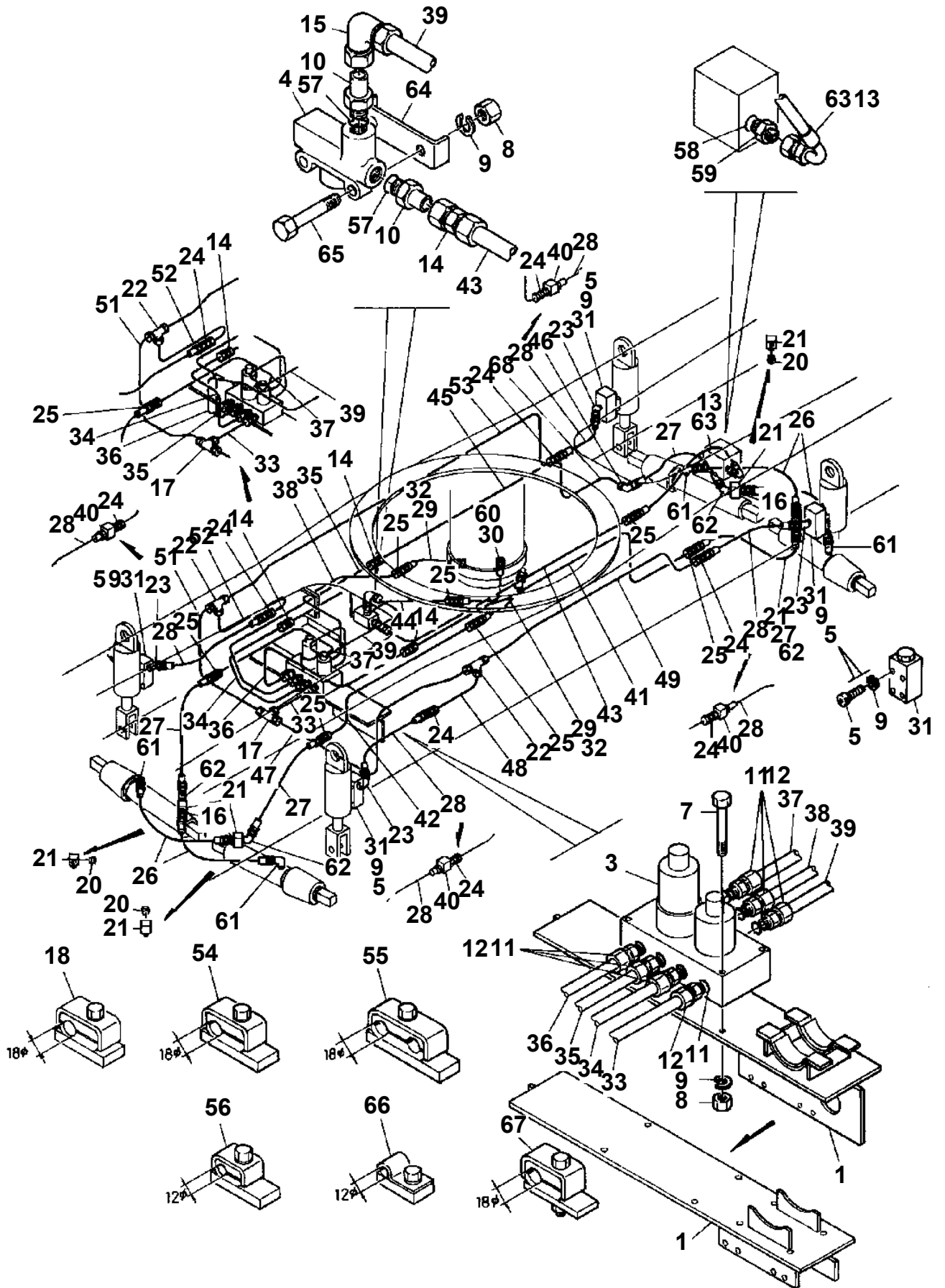
TR-230E-1-01401 4 BOOM + JIB, 2M2D
PR1620041-01 AXLE, DRAIVING (FRONT)



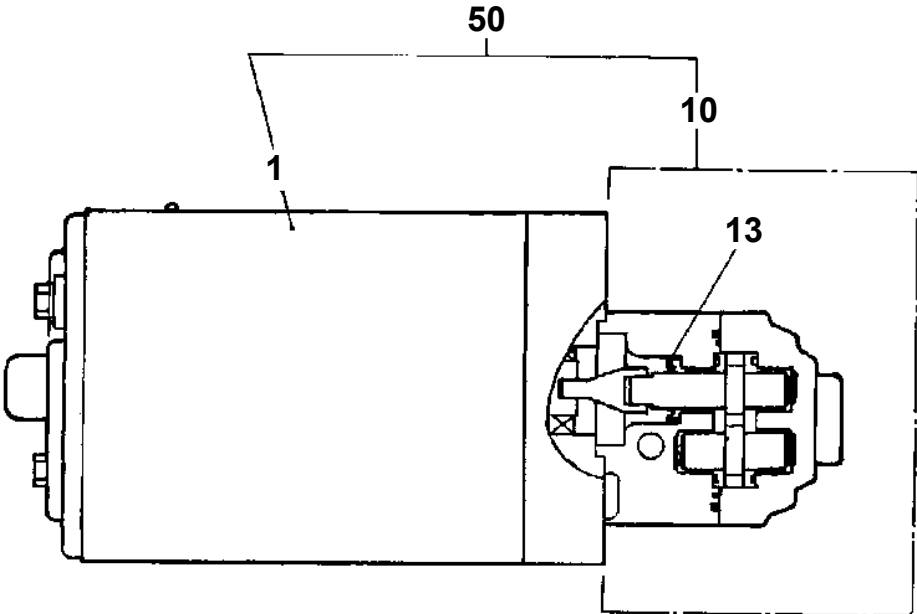
TR-230E-1-01401 4 BOOM + JIB, 2M2D
PR1800012-00 TIRE (W/O WHEEL)



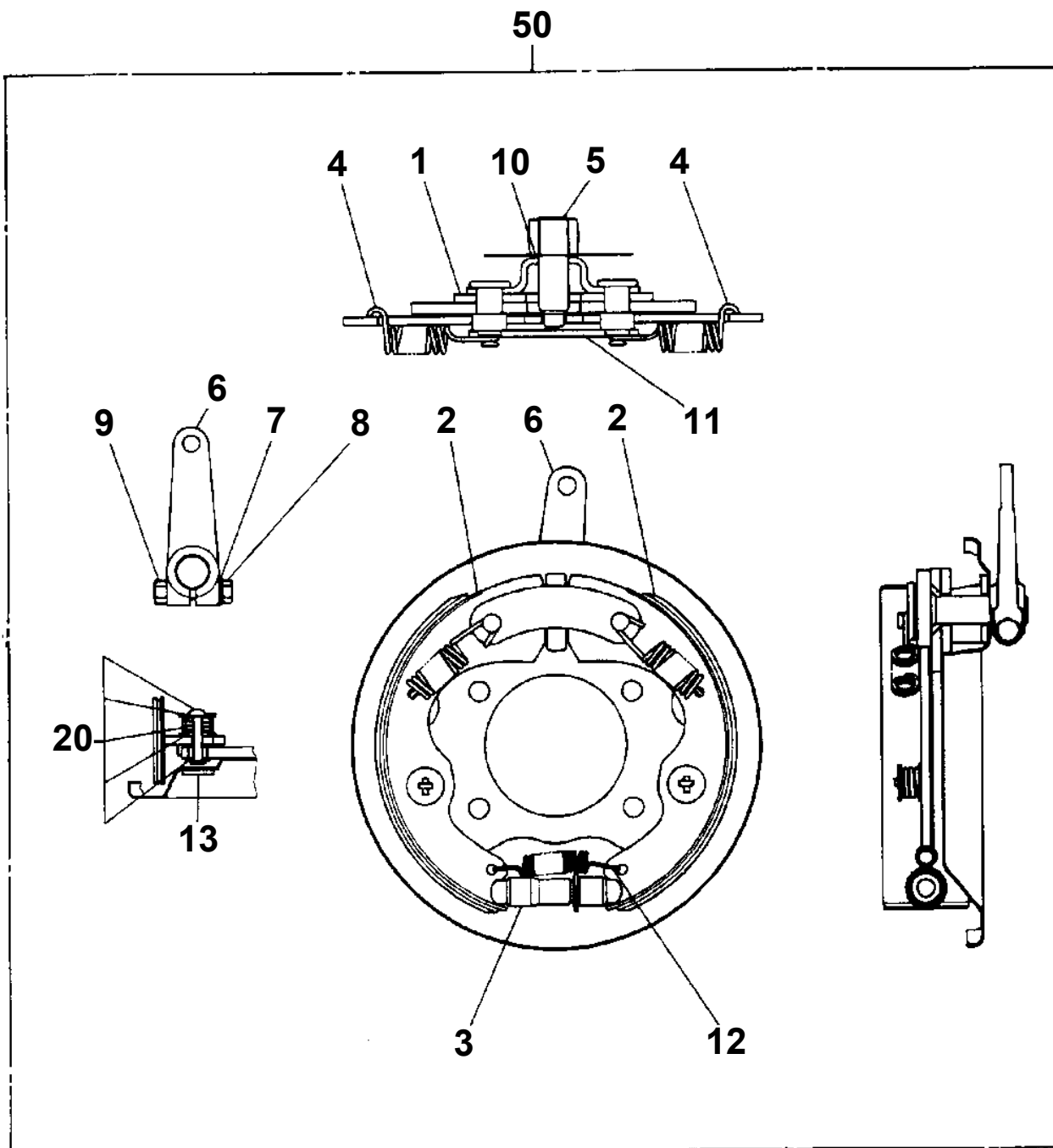
TR-230E-1-01401 4 BOOM + JIB, 2M2D
PS1200070-04 PIPING,STEERING (LOWER)



TR-230E-1-01401 4 BOOM + JIB, 2M2D
PS1320001-00 MOTOR & PUMP UNIT



TR-230E-1-01401 4 BOOM + JIB, 2M2D
PT1140020-00 BRAKE,PARKING



TR-230E-1-01401 4 BOOM + JIB, 2M2D

Pos No.	Parts No	Parts Name	Qty	Unit	Technical Data	Serial No (Start)	Serial No (End)	Remarks	Page
1	59251303010	RESERVOIR	1						
3	59251303030	PLATE	1						
4	59251303040	BAND	1						
5	90102206016	BOLT	1		M6X16				
6	59251303050	COLLAR	1						
7	90201200600	NUT	1		M6				
8	90302040601	WASHER,SPRING	1		6				
30	59251303000	TANK,BRAKE FLUID	1						

TR-230E-1-01401 4 BOOM + JIB, 2M2D

Pos No.	Parts No	Parts Name	Qty	Unit	Technical Data	Serial No (Start)	Serial No (End)	Remarks	P
2	36103055010	BOLT (WITH WASHER)	5		M8				
3	36103055020	PACKING	1						
4	36103055030	COVER	1						
6	36103055040	STRAINER ASSY	1						
7	36103055050	HOSE	1						
8	36103055060	RING,SNAP	2						
9	36103055070	CAP ASSY	1						
10	59256101150	FILTER ASSY	1						
100	36103050000	TANK,FUEL	1						

TR-230E-1-01401 4 BOOM + JIB, 2M2D

Pos No.	Parts No	Parts Name	Qty	Unit	Technical Data	Serial No (Start)	Serial No (End)	Remark
1	91990150000	BOX,TOOL	1					
2	91992130750	HAMMER	1		680G			
3	91991340000	SPANNER,OPEN-END	1					
4	91991310027	SPANNER,SINGLE END (27)	1					
5	91991310030	SPANNER,SINGLE END (30)	1					
6	91991310032	SPANNER,SINGLE END (32)	1					
7	91991310036	SPANNER,SINGLE END (36)	1					
8	91991310041	SPANNER,SINGLE END (41)	1					
9	91991110350	WRENCH,PIPE	1		350MM			
10	91991210250	WRENCH,MONKEY (250MM)	1					
11	91994110200	SCREWDRIVER	1		L=200			
12	91994250002	SCREWDRIVER (+)	1		L=100			
13	91994250003	SCREWDRIVER (+)	1		L=150			
14	91995110200	PLIER (200MM)	1					
15	91991540508	WRENCH SET,HEXAGON	1					
17	91993150035	PUMP,GREASE	1					
18	19118906000	WRENCH,HUB NUT	1					
19	91996100001	GAUGE,TIRE	1					
21	37002500230	HOSE	1		4X6 L=1000			
22	37002500240	HOSE	1		8X6X1000			
23	19218903000	HOLDER	1					
24	34220005010	HANDLE	1					
25	56260007000	HOLDER	2					

TR-230E-1-01401 4 BOOM + JIB, 2M2D

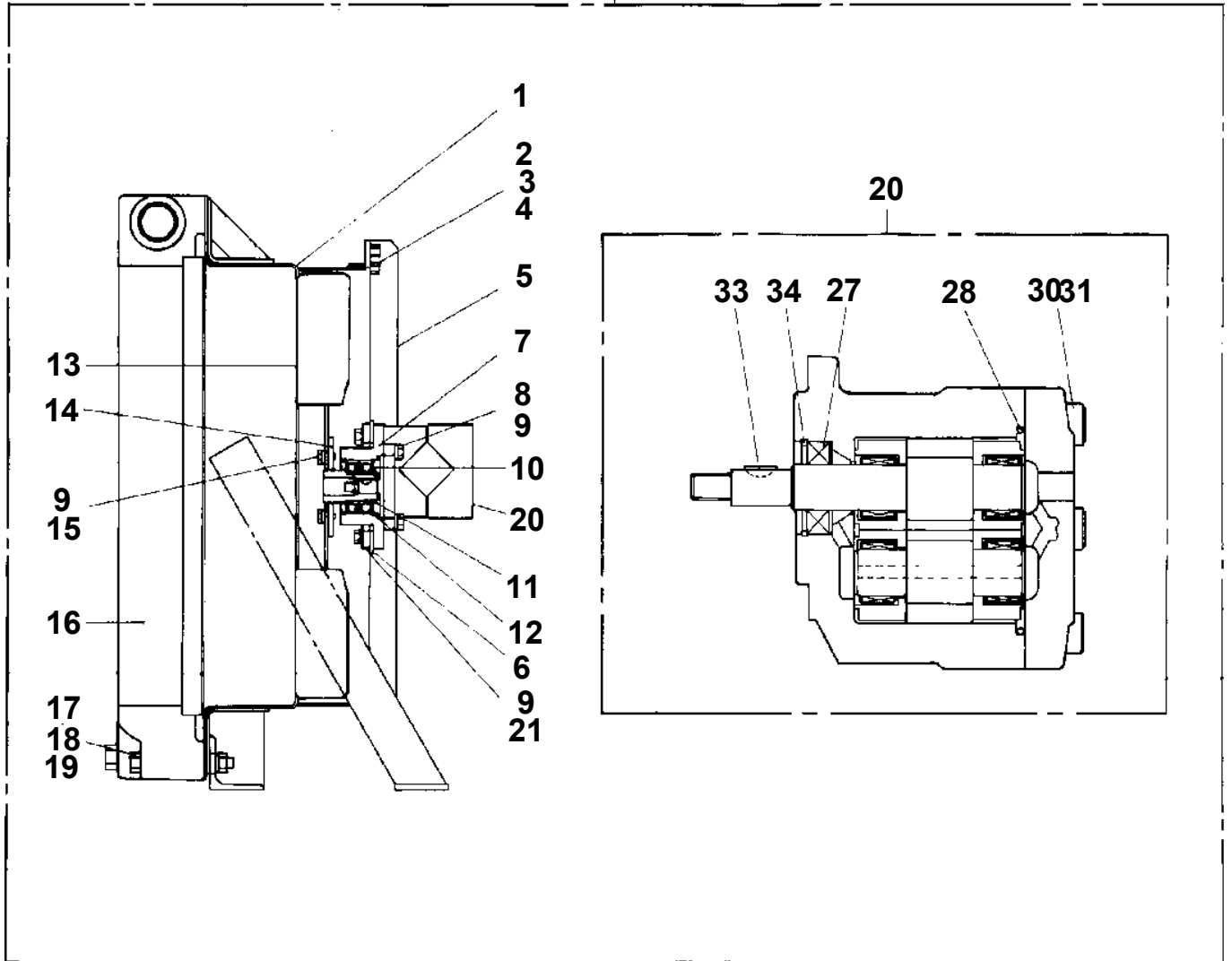
Pos No.	Parts No	Parts Name	Qty	Unit	Technical Data	Serial No (Start)	Serial No (End)	Remarks	Pa
2	33760262000	PLATE	10						
3	37001500140	BOLT	16		M24X135				
4	37001500380	BOLT	4		M24X118				
5	37001500010	BOLT	16		M24X160				
6	90201702400	NUT	16		M24				
7	90302042401	WASHER,SPRING	16		24				
8	90302041201	WASHER,SPRING	6		12				
9	90101212035	BOLT	6		M12X35				
10	90302042201	WASHER,SPRING (22)	1						
11	90269202200	NUT	2		M22				
12	80530000095	END	1						
13	37001500890	BOLT	1						
14	34760004300	SUPPORT	1						

TR-230E-1-01401 4 BOOM + JIB, 2M2D

Pos No.	Parts No	Parts Name	Qty	Unit	Technical Data	Serial No (Start)	Serial No (End)	Remarks	Page
1	34472180010	PLATE	1						
2	18111009010	PIN,SNAP	1						
3	37000109980	PIN	1						
5	33470090500	PLATE	1						
6	37000110010	PIN	1						
7	34470013000	BOSS	2						
8	14117513000	PIN,SNAP	1						
9	37000107340	PIN	1						
10	80136350045	PIN,SPLIT	1		5X45				
11	34472181000	SINGLE TOP	1						
12	16311007000	SPACER	2		L=3.5				
13	37000200990	PIN	1						
15	37001002850	SHEAVE ASSY	1						
16	90101212016	BOLT	1		M12X16				
17	90302041201	WASHER,SPRING	1		12				
18	19411905000	PIN	1						
19	37000200460	PIN,SNAP	1						
31	34472182100	SUPPORT	1						
32	34472182200	SUPPORT	1						
41	90928040061	SCREW,TAPPING	2		M4X6				
42	82100000207	CLAMP	2						
43	82100001195	CONNECTOR	1				530183		
	82100002506	CONNECTOR	2			530184			
44	34470434100	SUPPORT	1						
45	82100001194	CONNECTOR	1				530183		
	82100002505	CONNECTOR (CN-6)	2			530184			
46	37000300590	SPACER	1		L=30				
47	34470434200	SUPPORT	1						
48	14128208000	RING	1						
49	90303070601	WASHER,PLAIN	1		6		530183		
50	90302040601	WASHER,SPRING	1		6		530183		
51	90201200600	NUT	1		M6		530183		
52	90101206016	BOLT	1		M6X16		530183		
53	82100000865	TERMINAL	1				530183		
62	80612111250	RING,RITAINING	1		AR125				
63	80515006214	BEARING,BALL	2						
70	34472188010	SINGLE TOP ASSY	1						

TR-230E-1-01401 4 BOOM + JIB, 2M2D
PY1300010-02 COOLER,OIL

50



CLICK HERE TO **DOWNLOAD** THE COMPLETE MANUAL

- Thank you very much for reading the preview of the manual.
- You can download the complete manual from: www.heydownloads.com by clicking the link below



- Please note: If there is no response to CLICKING the link, please download this PDF first and then click on it.

CLICK HERE TO **DOWNLOAD** THE COMPLETE MANUAL