

TR-200E-2-00101 3 BOOM + JIB, 2M2D

PB1000183-01 HYDRAULIC PRESSURE GENERATING SYSTEM
PC1000137-00 OUTRIGGER SYSTEM
PD1000169-00 SWING SYSTEM
PE1000167-00 ELEVATING SYSTEM
PF1000158-02 WINCH SYSTEM
PG1000161-00 TELESCOPING SYSTEM
PH1000155-00 SAFETY DEVICES
PI1000184-02 HYDRAULIC DEVICES
PK1000175-00 FRAME
PL1000173-01 CONTROL DEVICES
PM1000035-00 LUBRICATION DEVICES
PN1000152-00 ELECTRIC EQUIPMENT
PO1000131-03 INDICATION PLATES
PQ1000051-00 DRIVING POWER GENERATING SYSTEM
PR1000032-01 DRIVING POWER TRANSMISSION SYSTEM
PS1000048-01 STEERING SYSTEM
PT1000038-01 BRAKE SYSTEM
PU1000030-00 SUSPENSION
PW1000109-01 ACCESSORIES & TOOLS
PX1000174-00 MOUNTING PARTS
PY1000155-00 OPTIONS
ASSEMBLY

CLICK HERE TO **DOWNLOAD** THE COMPLETE MANUAL

- Thank you very much for reading the preview of the manual.
- You can download the complete manual from: www.heydownloads.com by clicking the link below



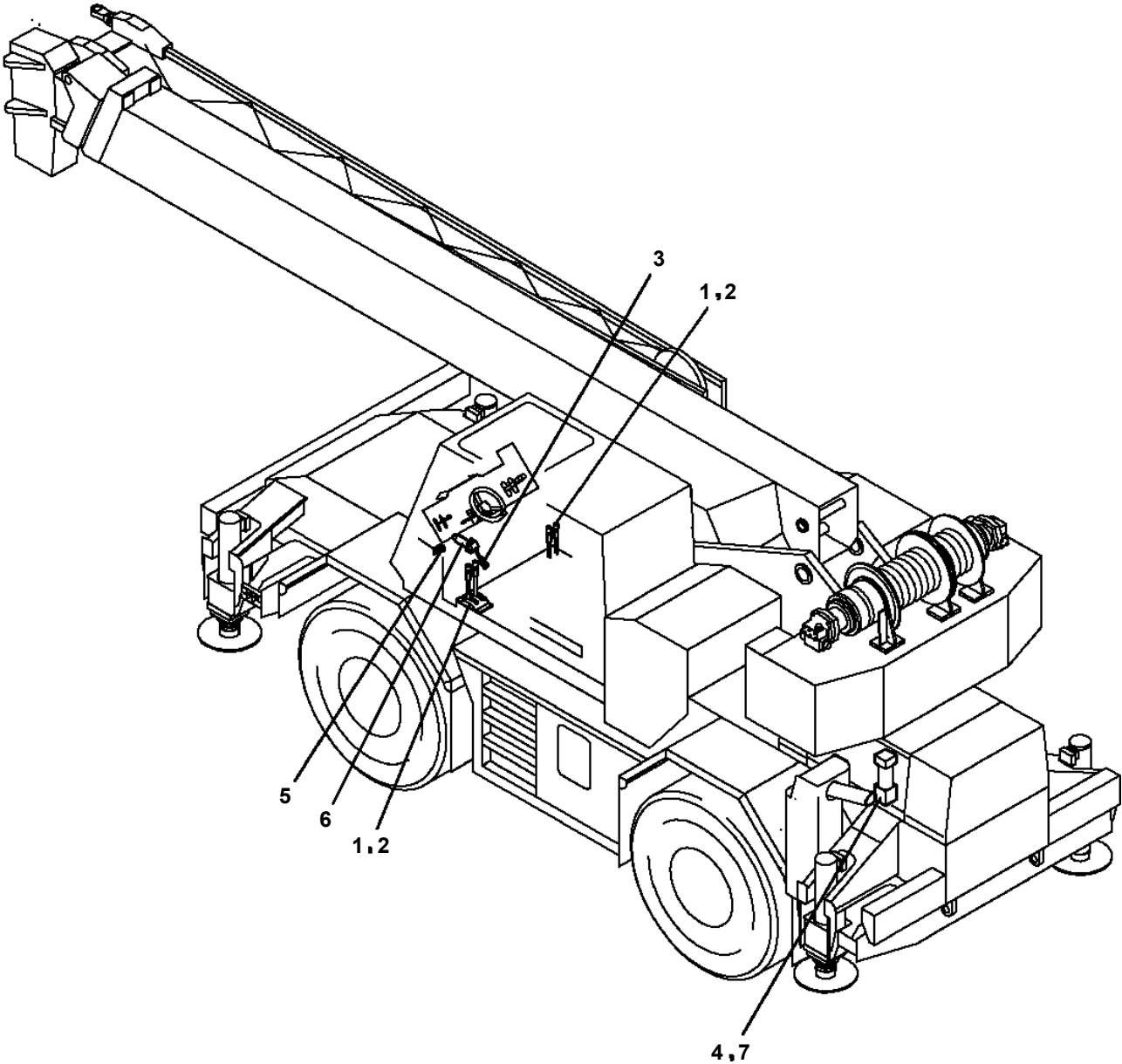
- Please note: If there is no response to CLICKING the link, please download this PDF first and then click on it.

CLICK HERE TO **DOWNLOAD** THE COMPLETE MANUAL

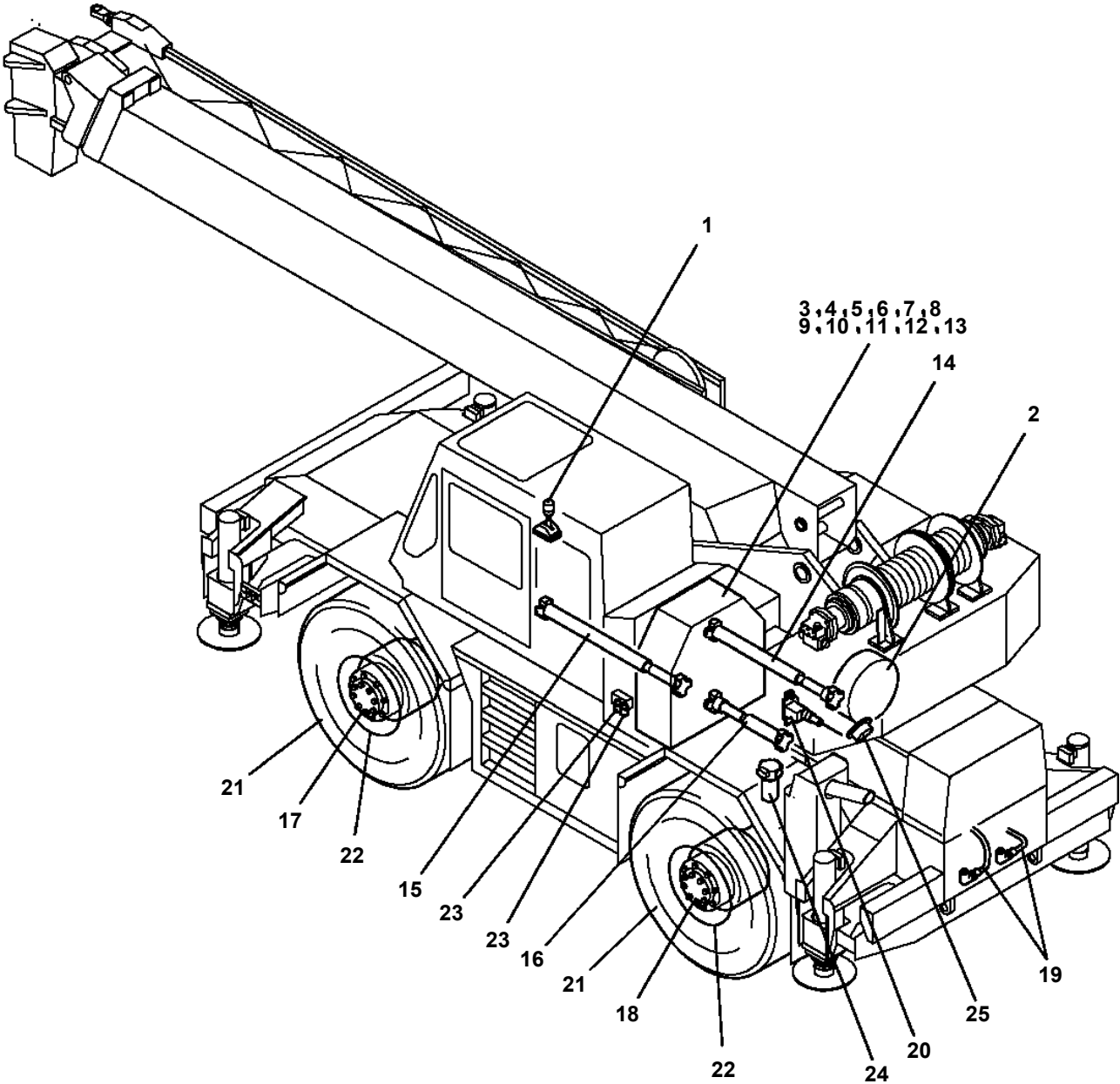
TR-200E-2-00101 3 BOOM + JIB, 2M2D

Pos No.	Parts No	Parts Name	Qty	Unit	Technical Data	Serial No (Start)	Serial
1	36071790000	WINCH	1				
2	36071800000	WINCH	1				
3	36091880000	HOOK (WITH SHEAVE COVER,SHEAVE 4 PC'S)	1				
4	(*****)	HOOK (AUX.)	1				
5	37001801590	ROPE,WIRE	1				
6	37001801920	ROPE,WIRE	1				
7	(*****)	SOCKET,ROPE	1				55508
	(*****)	SOCKET,ROPE (MAIN)	1			555086	
8	(*****)	SOCKET,ROPE	1				55508
	(*****)	SOCKET,ROPE (MAIN)	1			555088	
9	(*****)	DETECTOR,DISORDERLY WIND (MAIN)	1				
10	(*****)	DETECTOR,DISORDERLY WIND (AUX.)	1				
11	(*****)	PIPING,WINCH (MAIN.2M2D)	1				
12	(*****)	PIPING,WINCH (AUXILIARY)	1				
13	(*****)	PIPING,WINCH BRAKE (MAIN.2M2D)	1				
14	(*****)	PIPING,WINCH BRAKE (AUXILIARY)	1				
15	(*****)	DETECTOR,DRUM ROTATION (MAIN,OPTION)	1				
16	(*****)	DETECTOR,DRUM ROTATION (AUX.,OPTION)	1				
17	(*****)	MOUNT,WINCH (MAIN/2M2D)	1				
18	(*****)	MOUNT,WINCH (AUXILIARY)	1				
19	36661790000	MOTOR,HYDRAULIC (SANWA)	1				
20	36661680000	MOTOR,HYDRAULIC (SANWA)	1				
21	36660950000	MOTOR,HYDRAULIC (SANWA)	1				55506
	36661840000	MOTOR,HYDRAULIC (SANWA)	1				
22	36642000000	VALVE,HYDRAULIC	2			555067	
23	36603180000	VALVE,COUNTERBALANCE (SANWA)	2				

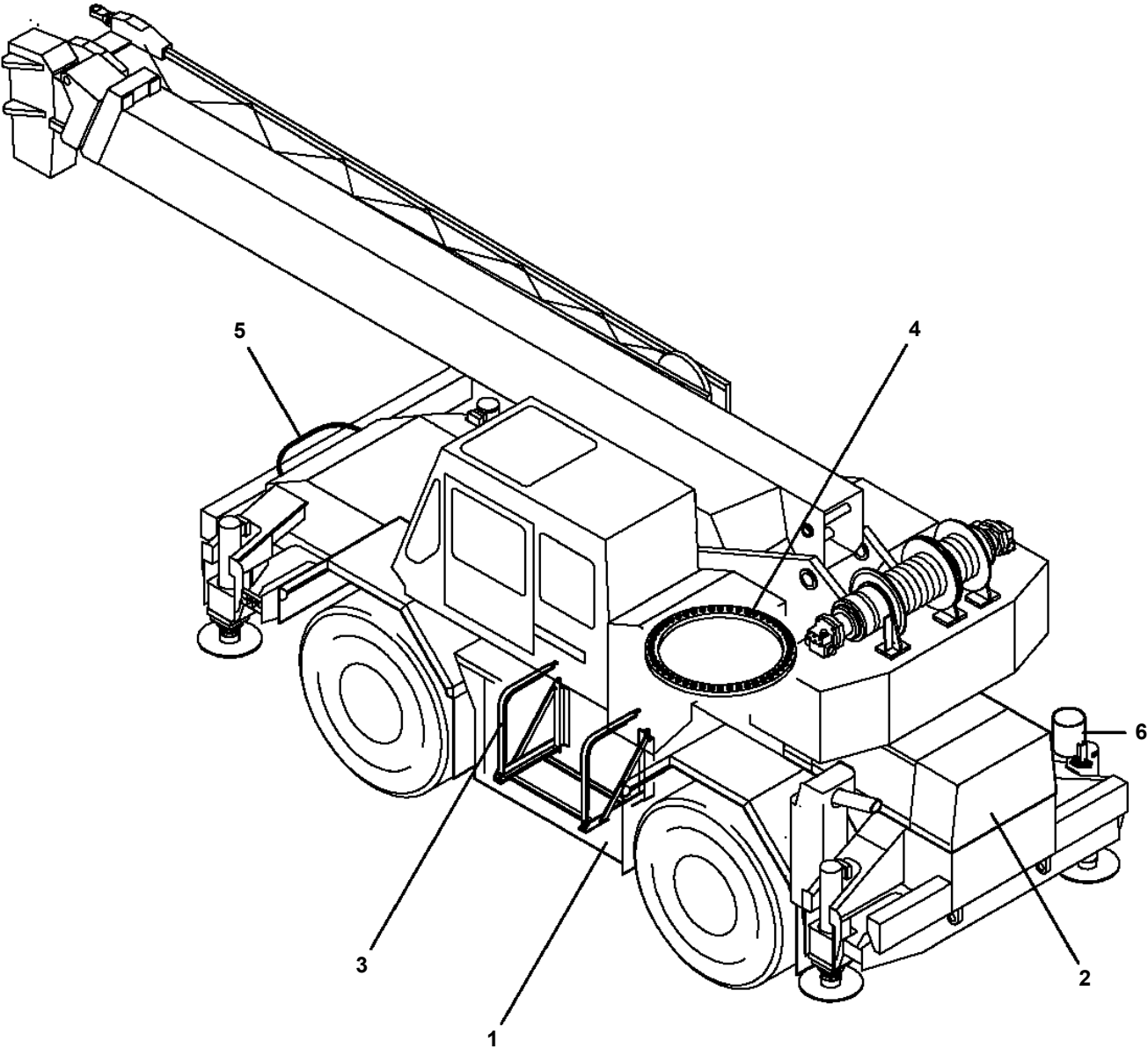
**TR-200E-2-00101 3 BOOM + JIB, 2M2D
PL1000173-01 CONTROL DEVICES**



TR-200E-2-00101 3 BOOM + JIB, 2M2D
PR1000032-01 DRIVING POWER TRANSMISSION SYSTEM



**TR-200E-2-00101 3 BOOM + JIB, 2M2D
PX1000174-00 MOUNTING PARTS**



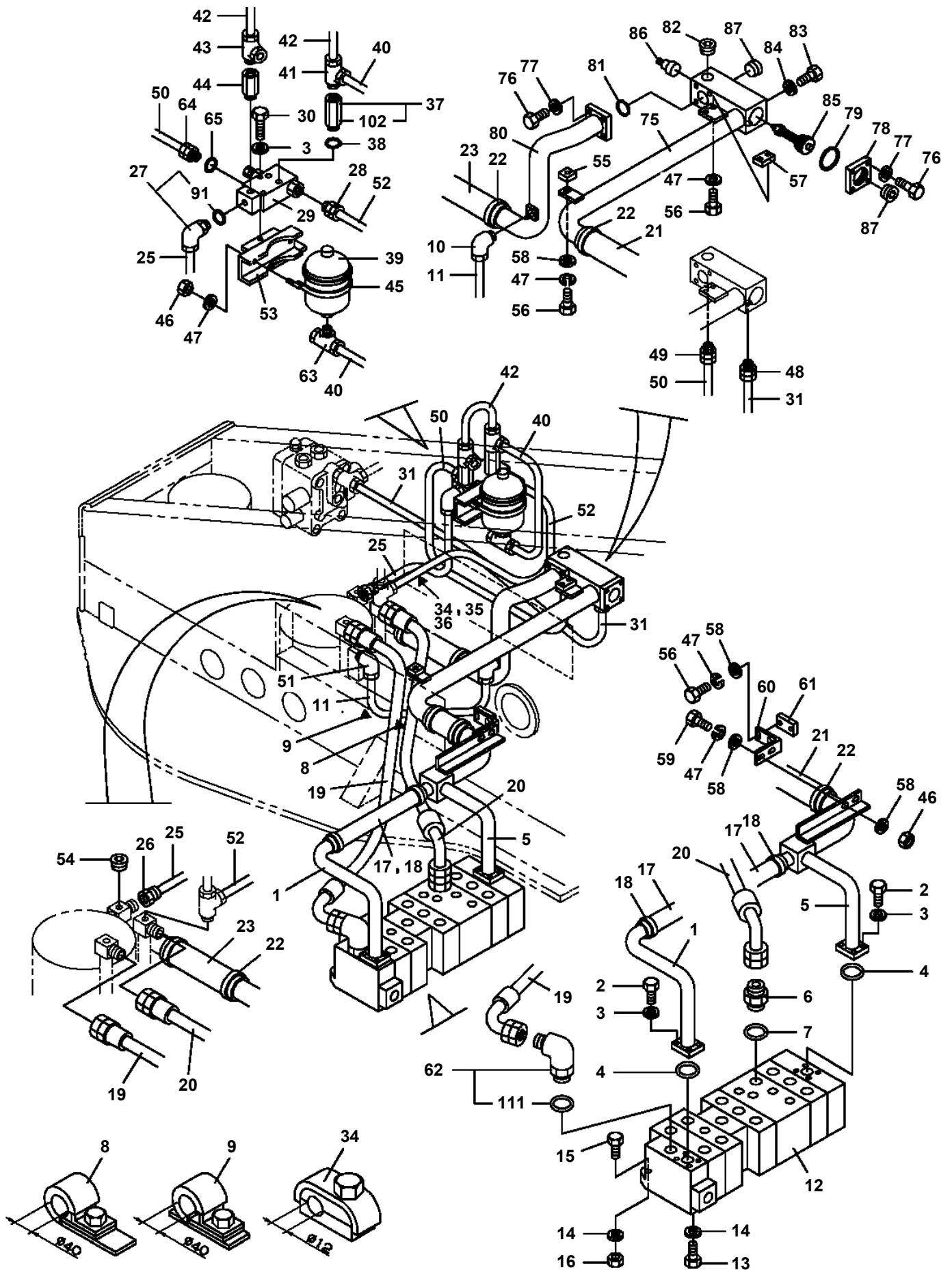
TR-200E-2-00101 3 BOOM + JIB, 2M2D

Pos No.	Parts No	Parts Name	Qty	Unit	Technical Data	Serial No (Start)	Serial M
1	36650685010	SEAL KIT (REPAIR KIT)	1				
2	36650685020	GEAR ASSY	1				
5	36650680000	PUMP, HYDRAULIC (EMERGENCY STEERING)	1				

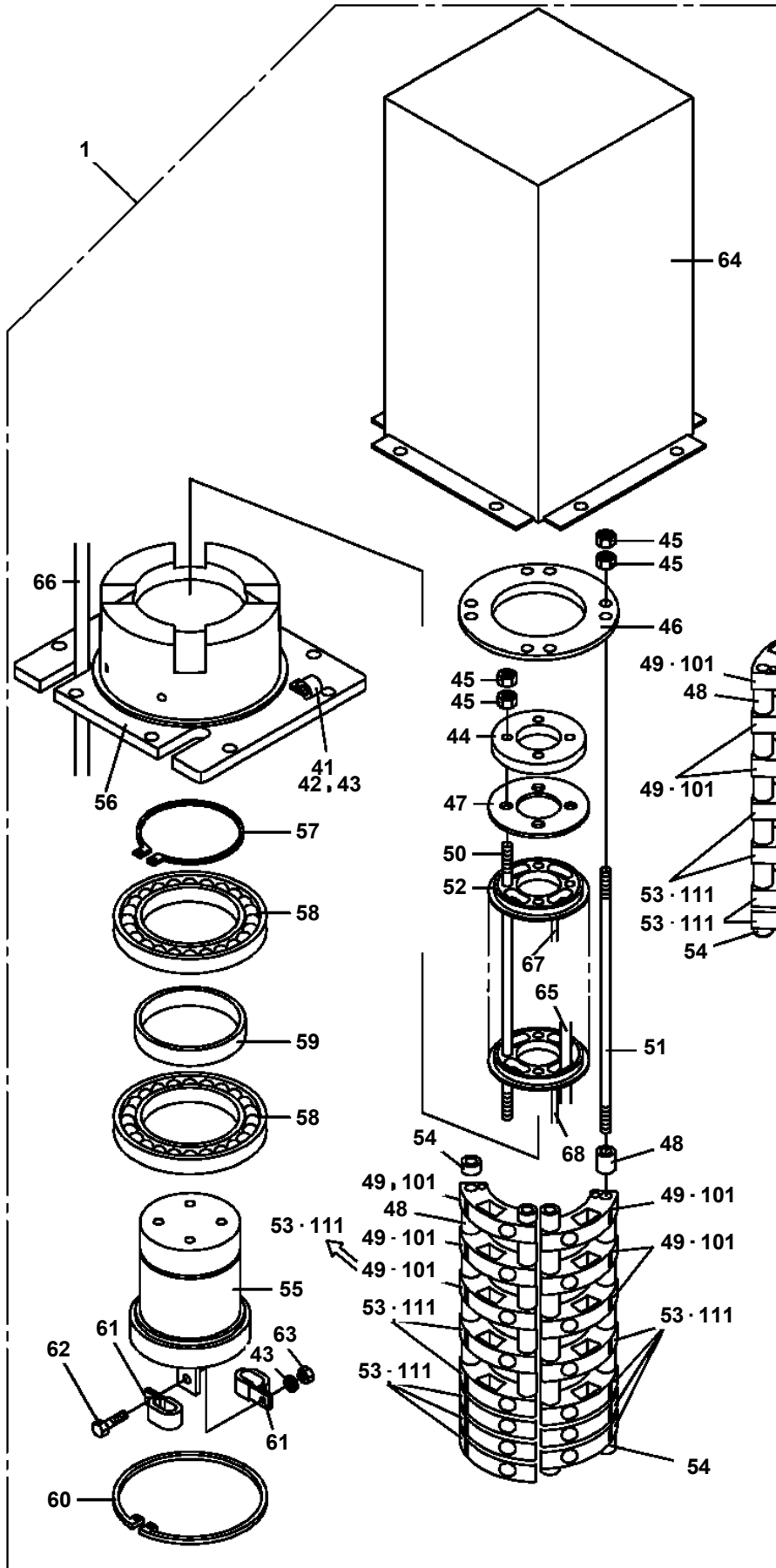
TR-200E-2-00101 3 BOOM + JIB, 2M2D

Pos No.	Parts No	Parts Name	Qty	Unit	Technical Data	Serial No (Start)	Serial No (End)	Remarks
1	34640271100	FITTING,FLANGE	1					
2	91002903000	O-RING	2		1B G30			
3	90101510030	BOLT	12		M10X30			
4	90302041001	WASHER,SPRING	14		10			
5	34640271200	FITTING,FLANGE	1					
6	34640441400	PLATE	1					
7	59157001000	PACKING	1					
	34640271700	GASKET	1			555059	555058	
8	90101210025	BOLT	2		M10X25			
9	34640441300	CAP	1					
10	91803600400	CLIP	2		D=27-40			
11	90131512035	BOLT,HEXAGON SOCKET	4		M12X35			
12	90302041201	WASHER,SPRING	14		12			
13	36652170000	PUMP,HYDRAULIC	1					
14	90191512040	BOLT	6		M12X40			
17	37002508720	HOSE	1					
18	91803601000	CLIP	4		D=85-100			
19	34640441200	FITTING,FLANGE	1					
20	91002905500	O-RING	1		1B G55			
21	37002508730	HOSE	1		L=150			
22	91803600500	CLIP	8		D=35-50			
23	37002503180	HOSE	1		L=180			
24	36651230000	PUMP,HYDRAULIC	1					
25	34640271400	GASKET	1					
26	34640441100	FITTING,FLANGE	1					
27	91002904500	O-RING	1		1B G45			
28	90131512050	BOLT,HEXAGON SOCKET	4		M12X50			
30	91002801100	O-RING	1		1B P11			
31	80316070040	PLUG	1		PF1/4			
32	34640361200	JOINT	1					
33	91002907500	O-RING	1		1B G75			
34	37002500380	HOSE	1		L=195			
35	91803600600	CLIP	4		D=45-60			

**TR-200E-2-00101 3 BOOM + JIB, 2M2D
PB1260083-00 PIPING, UPPER RETURN**

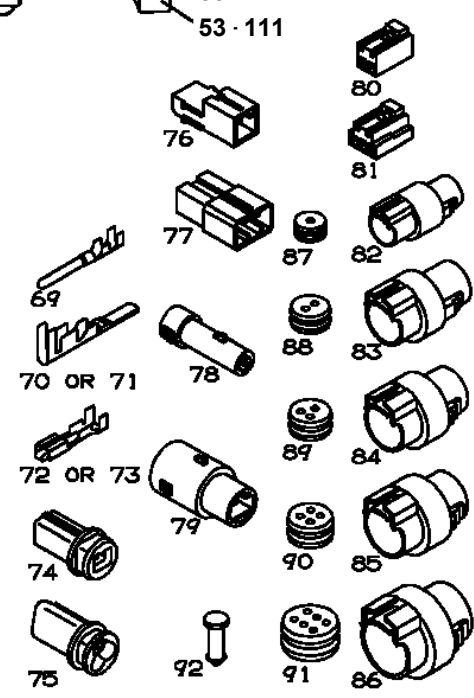


TR-200E-2-00101 3 BOOM + JIB, 2M2D
PB1300099-02 JOINT, ROTARY



ターミナル等 部品組合表
TERMINAL'S COMBINATION TABLE

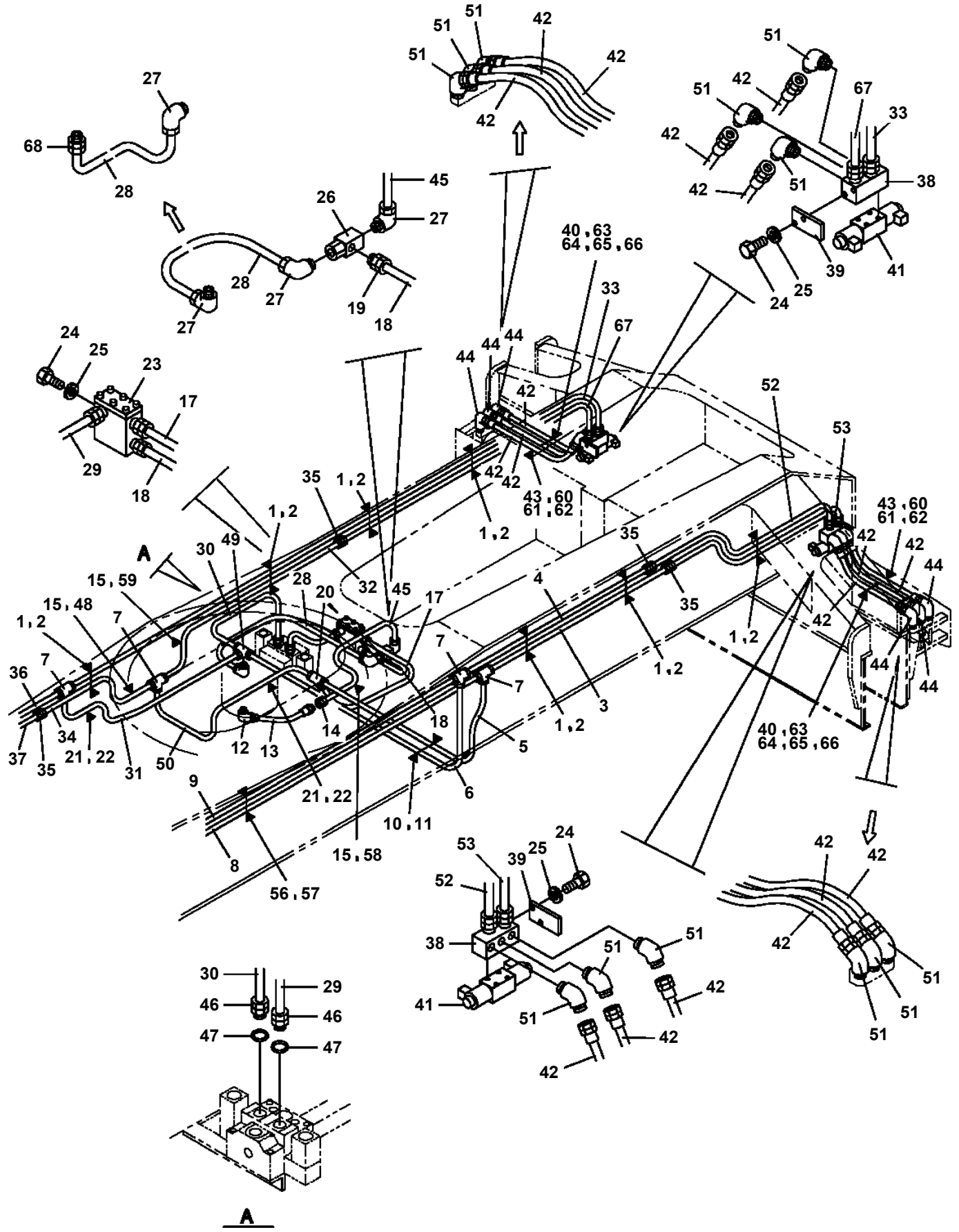
コネクタ CONNECTOR	ターミナル TERMINAL	プラグ PLUG
74	69	
75	69	
76	70	
77	70	
78	71	87
79	71	89
80	72	
81	72	
82	73	87
83	72	88
83	73	88
84	73	89
85	72	90
86	72	91, 92



TR-200E-2-00101 3 BOOM + JIB, 2M2D

Pos No.	Parts No	Parts Name	Qty	Unit	Technical Data	Serial No (Start)	Serial No (End)
69	90302041401	WASHER,SPRING	4		14		
70	90131514090	BOLT,HEXAGON SOCKET	2		M14X90		
71	18335116940	BREATHER,AIR	1			555088	
72	90131506016	BOLT,HEXAGON SOCKET	4		M6X16	555088	
73	59451302360	CAP (AIR BLEEDER SCREW)	1			555088	
74	36632605200	COVER (FOR O-RING)	2			555210	
75	91001002900	O-RING	2		S29	555210	
76	91001102200	O-RING	2		1A P22	555210	
77	36632605210	SEAL,DUST	2			555210	
83	91001000400	O-RING	1		S4		
84	12635101140	SPRING	1				
88	12635101110	SPRING (RETURN)	1				
90	91001102600	O-RING	1		1A P26		
94	18335118030	SCREW (ADJUSTING)	1				
95	90203201600	NUT	2		M16		
97	80316030060	PLUG	1		PT3/8		
101	36632605030	MANIFOLD	1				
102	36632605040	BOLT,HEXAGON SOCKET	2		M14X130		
104	90131510035	BOLT,HEXAGON SOCKET	2		M10X35		
105	90302041001	WASHER,SPRING	2		10		
150	36634280000	VALVE,SOLENOID CONTROL (SWING)	1				

TR-200E-2-00101 3 BOOM + JIB, 2M2D
PC1200132-01 PIPING,OUTRIGGER



TR-200E-2-00101 3 BOOM + JIB, 2M2D

Pos No.	Parts No	Parts Name	Qty	Unit	Technical Data	Serial No (Start)	Serial No (End)	Remarks
1	34330960100	JOINT	1					
2	80400160102	FITTING	1		20368-U1/4X1/4			
3	37002432110	HOSE	1		L=425			
4	37000909600	FITTING	1		S,G1/4-M12			
5	37001601440	NUT	1		M12X1.0			
6	90304111201	WASHER,TOOTH	1		12			
7	37000904810	NUT,FLARE	3		M12			
8	82100001035	GROMMET	1					
9	82100002002	CLAMP	3		WR6			
10	90302040801	WASHER,SPRING	8		8			
11	90303070801	WASHER,PLAIN	1		8			
12	90201200600	NUT	3		M6			
14	56476172000	FITTING	2		S,R1/4-M12			
15	80400160107	FITTING,ELBOW	1		20369U 1/4X1/8			
16	34330968010	PIPE ASSY	1					
17	90101206016	BOLT	1		M6X16			
18	90303070601	WASHER,PLAIN	2		6			
19	34330968020	PIPE ASSY	1					
21	90302040601	WASHER,SPRING	2		6			
22	89640401000	HOSE	1					
23	37000107210	PIN	1					
24	80136320018	PIN,SPLIT	1		2X18			
25	90101208020	BOLT	8		M8X20			
26	59457138000	PLUG ASSY	1					
31	90303071001	WASHER,PLAIN	1		10			
32	90201201000	NUT	4		M10			
33	90302041001	WASHER,SPRING	4		10			
34	34330652100	PLATE	1					
35	34330881100	SUPPORT	1					
36	16415134000	CYLINDER,MASTER	1					
37	90131510030	BOLT,HEXAGON SOCKET	3		M10X30			
38	37000107210	PIN	1					
39	90303070801	WASHER,PLAIN	1		8			
40	80136320018	PIN,SPLIT	1		2X18			
51	34330656000	SPRING ASSY	1					
52	34330653100	SUPPORT	1					
53	90101208020	BOLT	2		M8X20			
54	90302040801	WASHER,SPRING	2		8			
55	16414701000	LEVER	1					
56	37000103050	PIN	1					
57	90303070801	WASHER,PLAIN	1		8			
58	80136320018	PIN,SPLIT	1		2X18			
61	33330162100	CASE	1					
62	80720103028	PIN	1		3X28			
63	33330162210	RETAINER	1					
64	37001200540	SPRING	1					
65	19234802000	PLATE	1					
66	90101508016	BOLT	2		M8X16			
67	90302040801	WASHER,SPRING	2		8			
68	34330656100	ROD	1					
80	34330888020	SUPPORT ASSY	1					

TR-200E-2-00101 3 BOOM + JIB, 2M2D

Pos No.	Parts No	Parts Name	Qty	Unit	Technical Data	Serial No (Start)	Serial No (End)	R
1	80720105040	PIN,SPRING	1		5X40			
2	91302229001	BEARING,PLAIN	2					
3	36023421000	PISTON	1					
4	91684029000	PACKING	2					
5	91411226501	RING,BACKUP	1					
6	16265153000	CARTRIDGE, COUNTERBALANCE	1					
7	19116004000	COVER	1					
8	90131510025	BOLT,HEXAGON SOCKET	4		M10X25			
9	90302041001	WASHER,SPRING	8		10			
10	36023422000	ROD ASSY	1					
11	36023423000	CYLINDER ASSY	1					
12	36020105000	COVER,ROD	1					
13	91002827500	O-RING	1		1B P275			
14	36020106000	RETAINER	1					
15	91251102100	RING,DAMPER	1					
16	91694121000	PACKING	1					
17	91410221003	RING,BACKUP	1					
18	91660021000	SEAL,DUST	1					
19	36020107000	RETAINER	2					
20	90101510085	BOLT	4		M10X85			
21	82458202000	NIPPLE,GREASE	1		B-TYPE PT1/8			
22	91431226501	RING,BACKUP	1					
23	91002821000	O-RING	1		1B P210			
24	91410021000	RING,BACKUP	1		P210			
25	37000507520	PLATE	1					
32	16516218001	BEARING,SPHERICAL (NTN)	1					
33	16516216000	RETAINER	2					
42	37000400030	BEARING,PLAIN	2					
43	90730010160	SCREW,SET	4		M10X16			
51	80612112200	RING,RITAINING	1		AR220			
60	(*****)	CYLINDER,ELEVATING	1					

TR-200E-2-00101 3 BOOM + JIB, 2M2D

Pos No.	Parts No	Parts Name	Qty	Unit	Technical Data	Serial No (Start)	Serial
1	36091880100	PLATE	1				
2	16411506001	BOLT	3				
3	90302041601	WASHER,SPRING	3		16		
4	36090140200	COVER	2				
6	80500051218	BEARING,BALL	1				
7	82456101000	NIPPLE,GREASE	1		A-PT1/8		
8	36090140700	TRUNNION	1				
13	36091880200	PLATE	1				
14	37001002850	SHEAVE ASSY	4				
15	16311007000	SPACER	5		L=3.5		
16	90101516035	BOLT	12		M16X35		
19	37000102420	PIN	1				
20	14211522000	GRIP	2				
21	37000105000	PIN	1				
22	16611506000	PLATE	2				
23	16611505000	PLATE	2				
24	37000105200	PIN	1				
25	37001400040	SPRING	1				
26	80136332020	PIN,SPLIT	1		3.2X20		
27	90303071001	WASHER,PLAIN	1		10		
29	37000511070	PLATE	4				
30	37000511080	PLATE	2				
32	90101208014	BOLT	4		M8X14	555252	
33	90302040801	WASHER,SPRING	4		8	555252	
40	36090229510	HOOK ASSY	1				
50	36091229510	STOPPER ASSY	1				
52	80515006214	BEARING,BALL	8				
53	80612111250	RING,RITAINING	4		AR125		
60	36091880000	HOOK (WITH SHEAVE COVER,SHEAVE 4 PC'S)	1				

TR-200E-2-00101 3 BOOM + JIB, 2M2D

Pos No.	Parts No	Parts Name	Qty	Unit	Technical Data	Serial No (Start)	Serial No (End)
1	37001907000	ROPE,WIRE (STOWING FOR MAIN HOOK)	1				

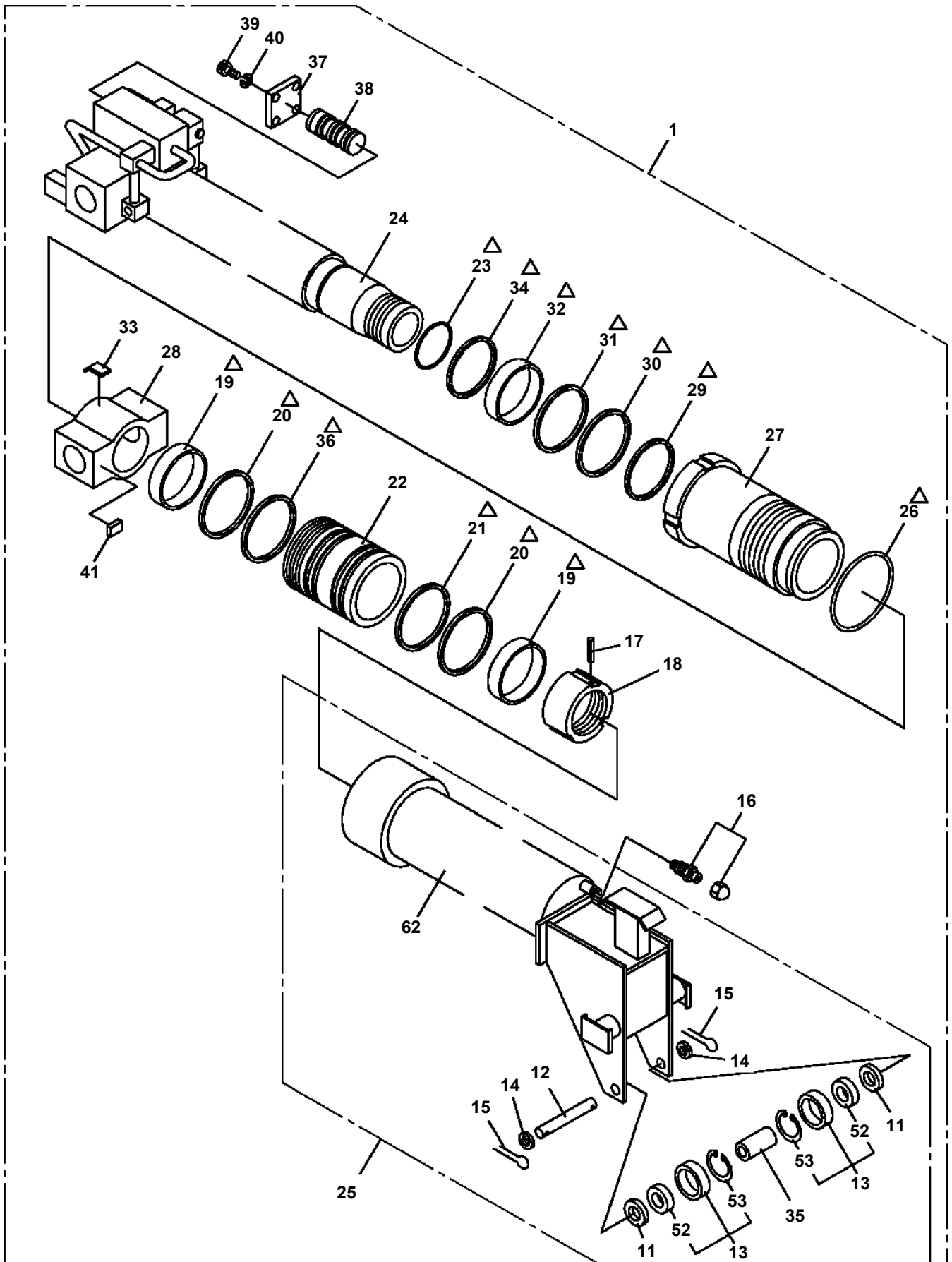
TR-200E-2-00101 3 BOOM + JIB, 2M2D

Pos No.	Parts No	Parts Name	Qty	Unit	Technical Data	Serial No (Start)	Serial No (End)	Remarks	Pa
1	80302010080	FITTING	2		KCT08-020N				
2	34341451000	SUPPORT	1						
3	90101210016	BOLT	2		M10X16				
4	90302041001	WASHER,SPRING	2		10				
5	36642000000	VALVE,HYDRAULIC	1						00
6	80302090322	FITTING	4		KCO28-080N				
7	91002802900	O-RING	4		1B P29				
8	81408000341	PIPE,STEEL	1	M	28X3.1T				
9	81408000341	PIPE,STEEL	1	M	28X3.1T				
10	36671250000	FILTER,OIL	1						
11	80315020040	JOINT,BUSHING	1						
12	81408000081	PIPE,STEEL	1	M	8X1.2T				
13	37000711100	CLAMP ASSY	1		28X2				
14	37000546290	PLATE	1						
15	81408000160	PIPE,STEEL	1	M	12X1.4T				
16	37000900140	JOINT	4						
17	37002406280	HOSE	2		L=750				
19	80302090141	FITTING	1		KCO12-020N				
20	91002801100	O-RING	1		1B P11				
21	80302010140	FITTING	2		C717KCT12-020N				
22	37000711170	CLAMP ASSY	1		12X3				
23	37000502920	PLATE	1						
24	81408000160	PIPE,STEEL	2	M	12X1.4T				
25	80301010100	FITTING	1		KUA12-000N				
26	81408000341	PIPE,STEEL	2	M	28X3.1T				
27	81408000341	PIPE,STEEL	2	M	28X3.1T				
28	81408000160	PIPE,STEEL	1	M	12X1.4T				
29	37000529230	PLATE	3						
30	80305010100	FITTING,TEE	1		KTA12-000N				
31	37000711000	CLAMP ASSY	1		12-1				
32	81408000160	PIPE,STEEL	2	M	12X1.4T				
33	37000300710	SLEEVE	1		12-8				
34	37000711080	CLAMP ASSY	2		12-2				
52	34340021700	FILTER	1						

TR-200E-2-00101 3 BOOM + JIB, 2M2D

Pos No.	Parts No	Parts Name	Qty	Unit	Technical Data	Serial No (Start)	Serial No (End)
1	90303070301	WASHER,PLAIN	12		3		
2	34474391100	SWITCH ASSY (SWITCHX3+HARNESS)	1				
3	34474391200	SUPPORT	6				555069
	34474391200	SUPPORT	7			555070	
4	80171203016	SCREW,MACHINE	12				555069
	80171203016	SCREW,MACHINE	10			555070	
5	90302040301	WASHER,SPRING	15		3		
6	18028119000	MAGNET	3				
7	34474910400	SUPPORT	2				
8	90101210020	BOLT	6		M10X20		555069
	90101210020	BOLT	4		M10X20	555070	
9	90302041001	WASHER,SPRING	6		10		
10	90303071001	WASHER,PLAIN	6		10		
11	80171203006	SCREW,MACHINE	3				
12	82100002002	CLAMP	5		WR6		555045
	82100002002	CLAMP	4		WR6	555046	
13	90101206012	BOLT	5		M6X12		555045
	90101206012	BOLT	4		M6X12	555046	
14	90201200600	NUT	5		M6		555045
	90201200600	NUT	4		M6	555046	
15	90302040601	WASHER,SPRING	5		6		555045
	90302040601	WASHER,SPRING	4		6	555046	
16	34474910100	SUPPORT	1				
17	37000500560	PLATE	1				555069
	34474910500	PLATE	1			555070	
18	34474910200	SUPPORT	1				
19	34474910300	SUPPORT	1				555069
	34474910600	PLATE	1			555070	
20	90101210035	BOLT	2		M10X35	555070	
21	90201201000	NUT	2		M10	555070	
22	80171203020	SCREW,MACHINE	2		M3X20	555070	
31	18028118000	SWITCH	3				

TR-200E-2-00101 3 BOOM + JIB, 2M2D
 PG1050142-02 CYLINDER,TELESCOPING

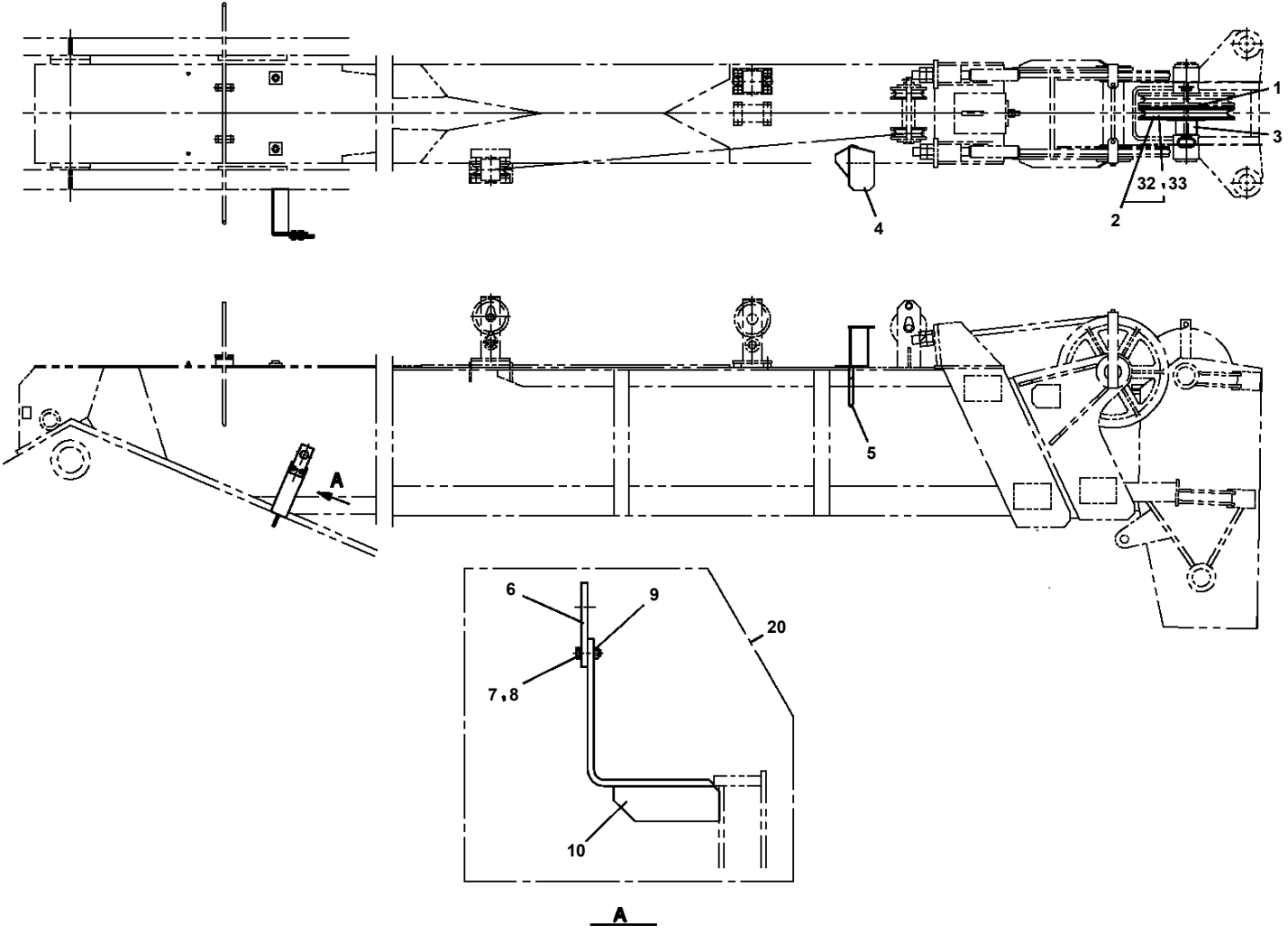


△:PACKING SET KEY NO.81 (KEY NO.19,20,21,23,26,29,30,31,32,34,36)

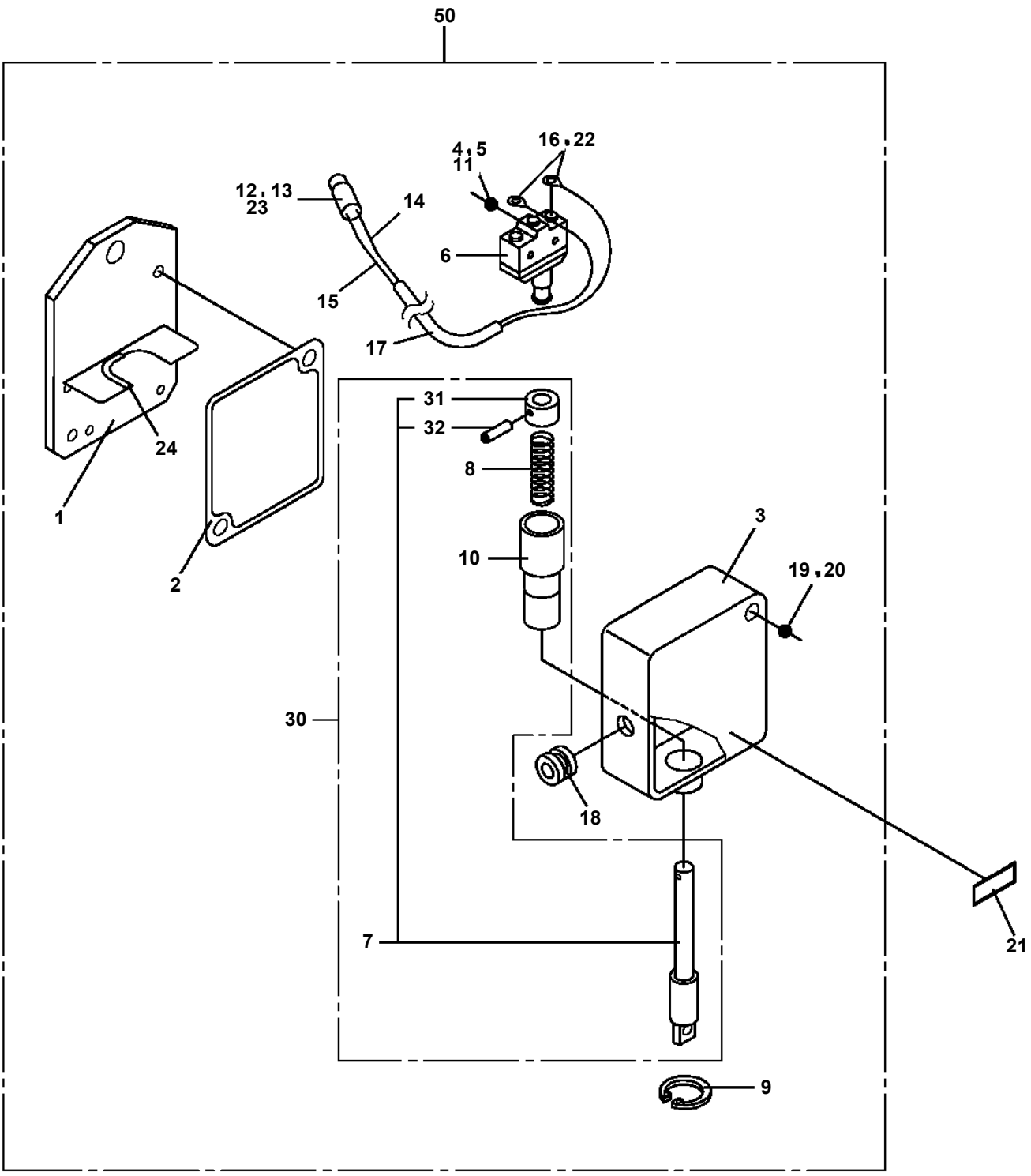
TR-200E-2-00101 3 BOOM + JIB, 2M2D

Pos No.	Parts No	Parts Name	Qty	Unit	Technical Data	Serial No (Start)	Serial No (End)	F
5	36130136021	DRUM ASSY (TYPE,TOOTH NO.)	1				555229	
7	36130016070	RING,SLIP	1				555229	
8	36130016080	BRUSH	2				555229	
13	36130776020	REDUCER (1/25)	1				555229	
15	36130016140	POTENTIOMETER	1				555229	
17	33370025220	LOCK (CORD)	1				555229	
20	82100001155	CONNECTOR	1					
21	36130016170	PACKING	1				555229	
22	36130016180	PACKING	1				555229	
25	82100001016	CONNECTOR	1				555229	
	82100000968	TERMINAL	1				555229	
26	82100001015	CONNECTOR	1				555229	
	82100000967	TERMINAL	1				555229	
27	36130045200	CABLE ASSY (WITH CONNECTOR)	1		L=1200		555229	
28	36131935100	CORD (2-LINE)	26	M			555229	
200	36130771000	DETECTOR,BOOM LENGTH	1					

TR-200E-2-00101 3 BOOM + JIB, 2M2D
PG1360165-00 WIRE GUIDE (AUXILIARY)

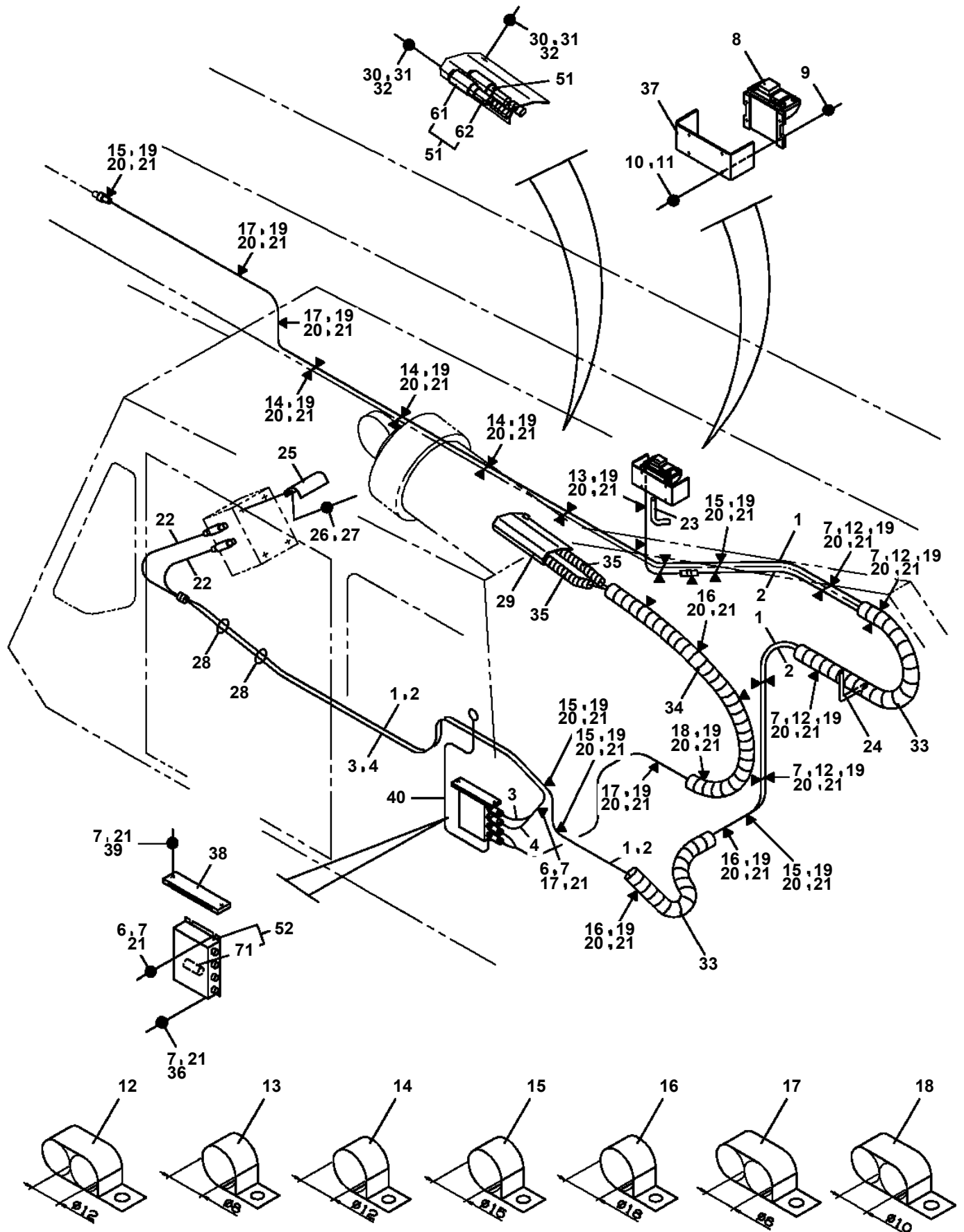


TR-200E-2-00101 3 BOOM + JIB, 2M2D
PH1070029-00 SWITCH, OVER WIND DETECTOR (BOOM)

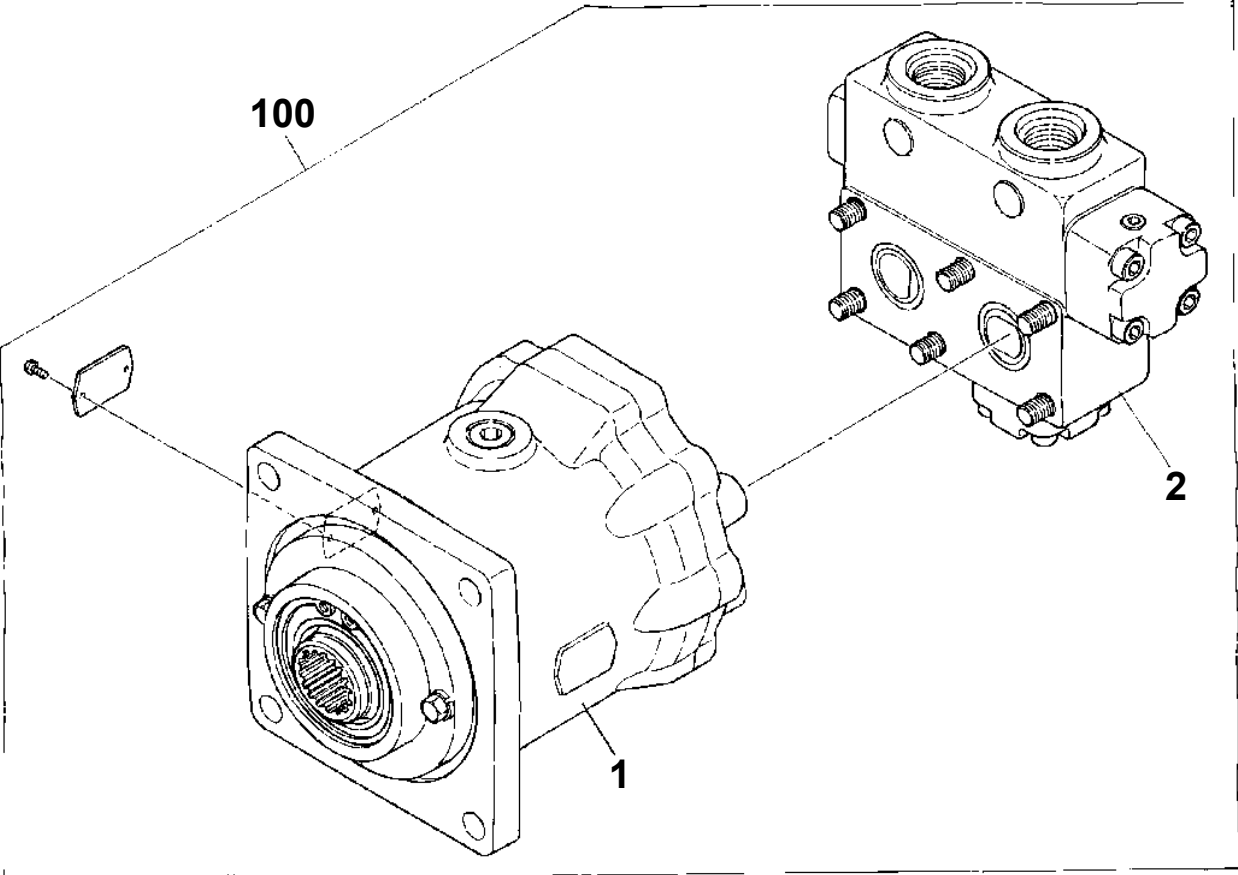


21
DC24V, 1.4A

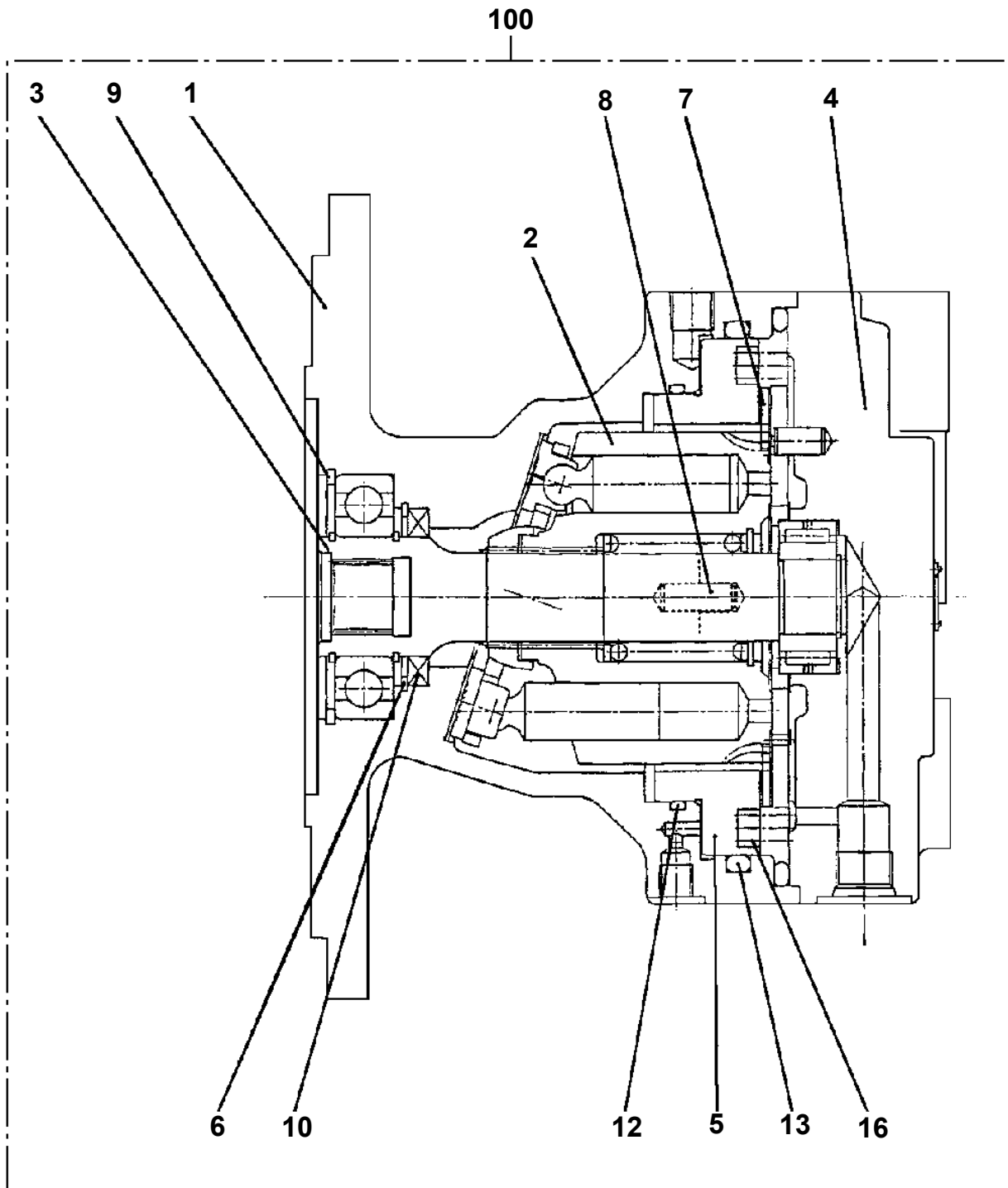
**TR-200E-2-00101 3 BOOM + JIB, 2M2D
PH1450009-00 CONNECTION, LOAD MOMENT INDICATOR**



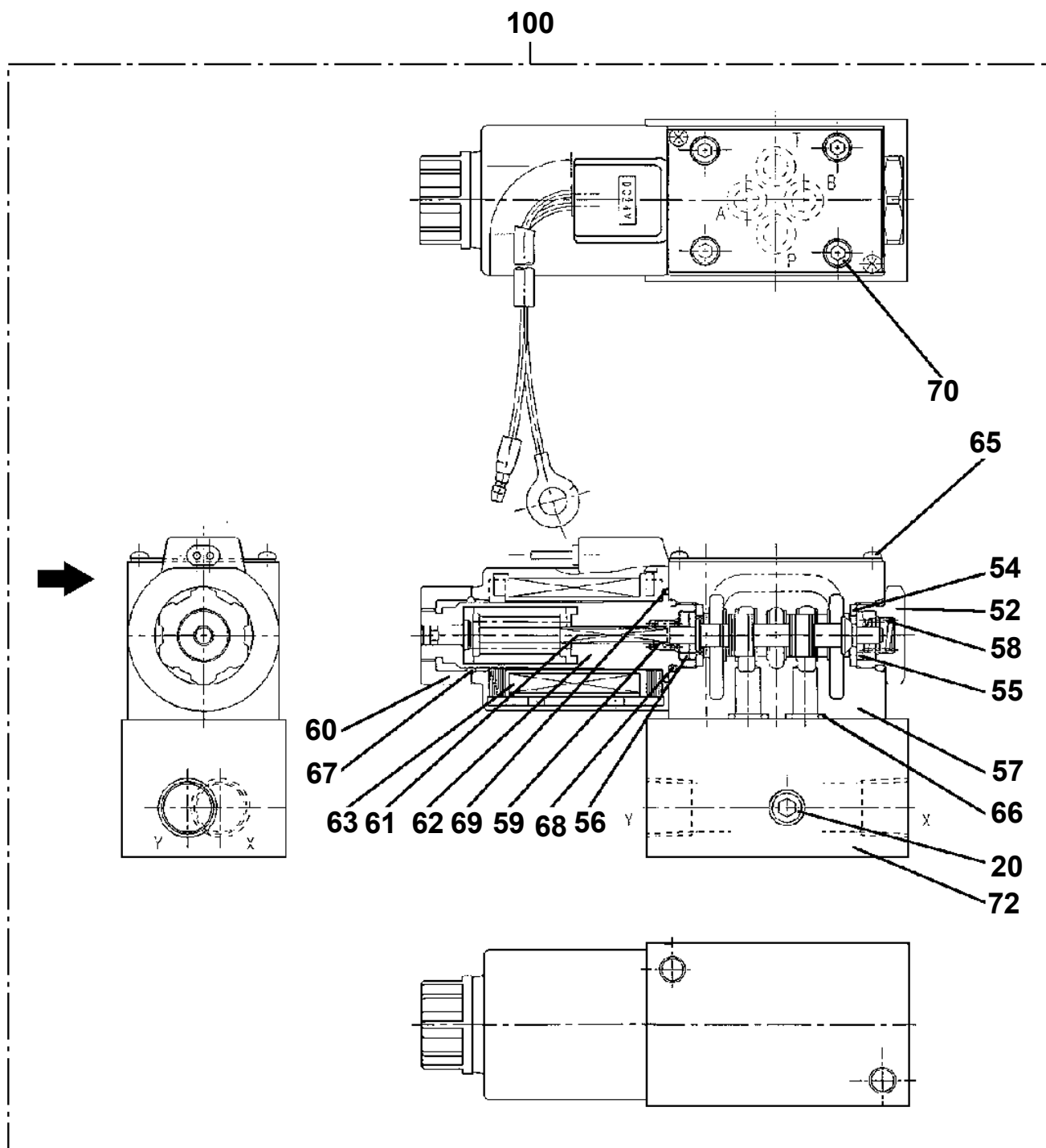
TR-200E-2-00101 3 BOOM + JIB, 2M2D
PI1010034-03 MOTOR, HYDRAULIC (SANWA)



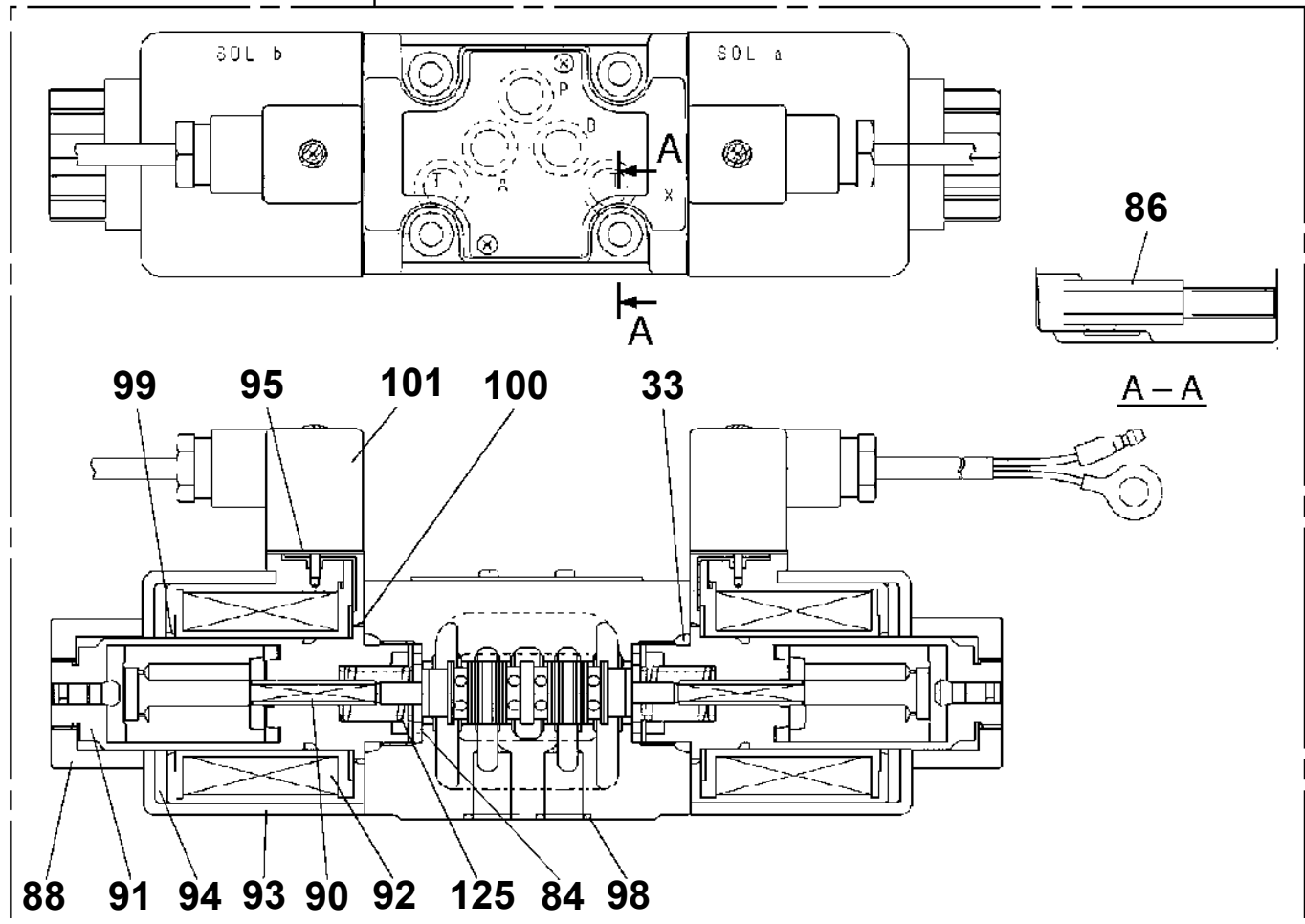
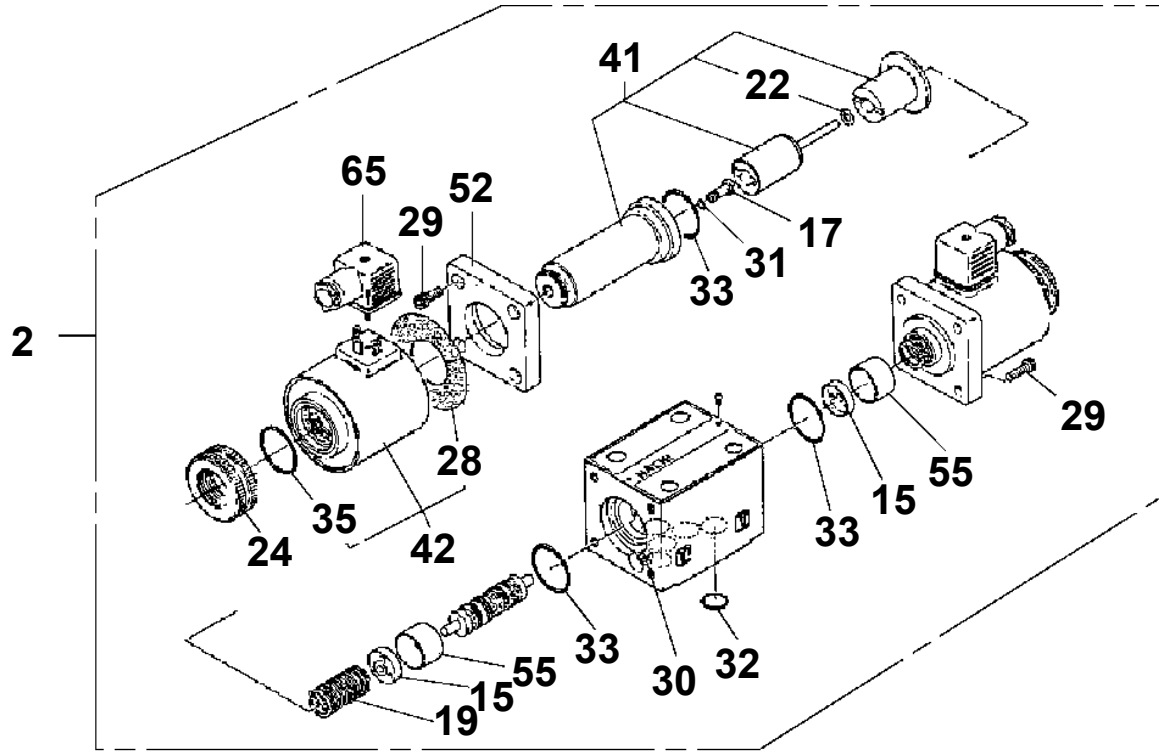
TR-200E-2-00101 3 BOOM + JIB, 2M2D
PI1010138-00 MOTOR, HYDRAULIC



TR-200E-2-00101 3 BOOM + JIB, 2M2D
PI1120021-04 VALVE,SOLENOID



TR-200E-2-00101 3 BOOM + JIB, 2M2D
 PI1120052-01 VALVE,SOLENOID

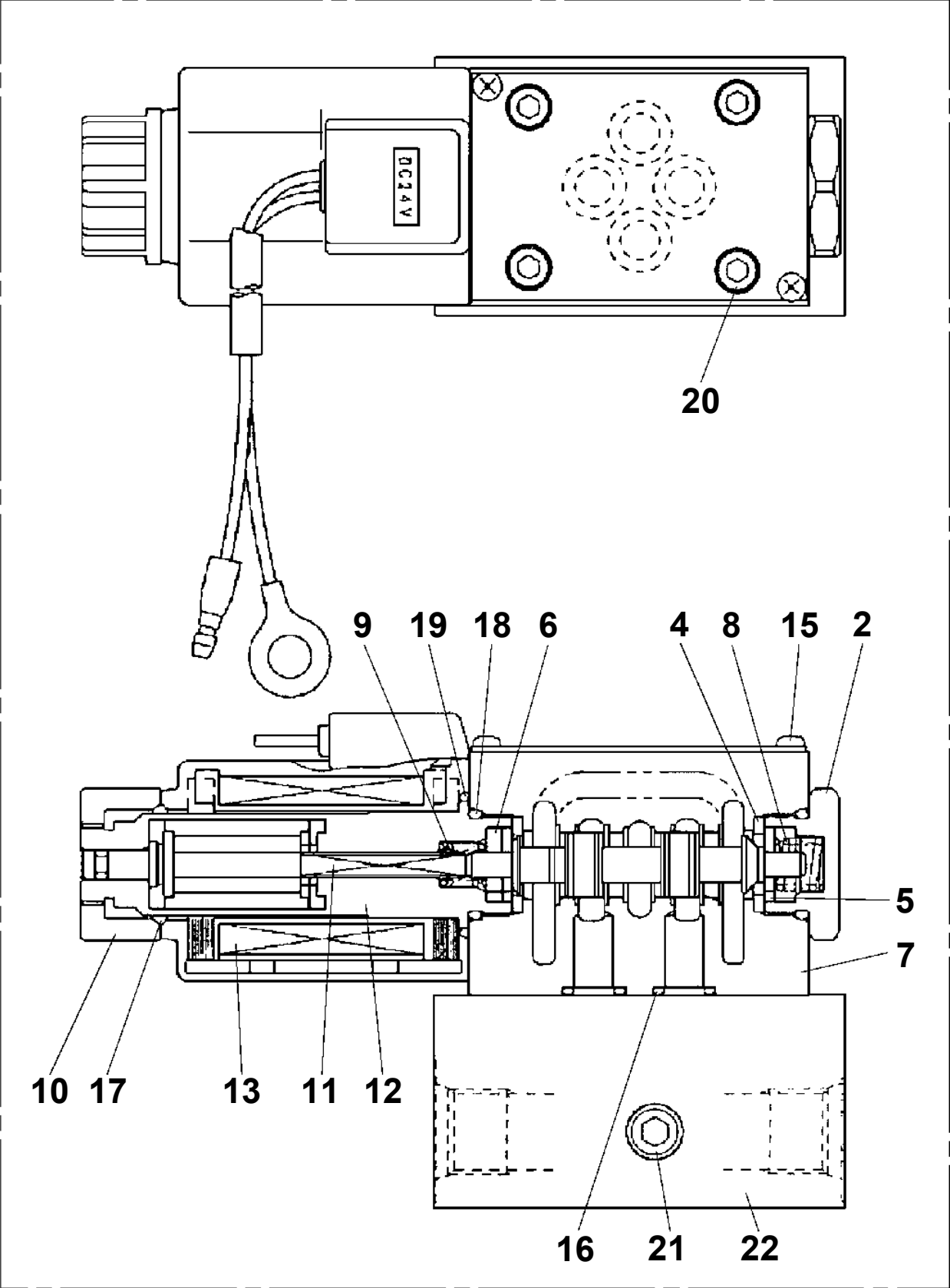


TR-200E-2-00101 3 BOOM + JIB, 2M2D

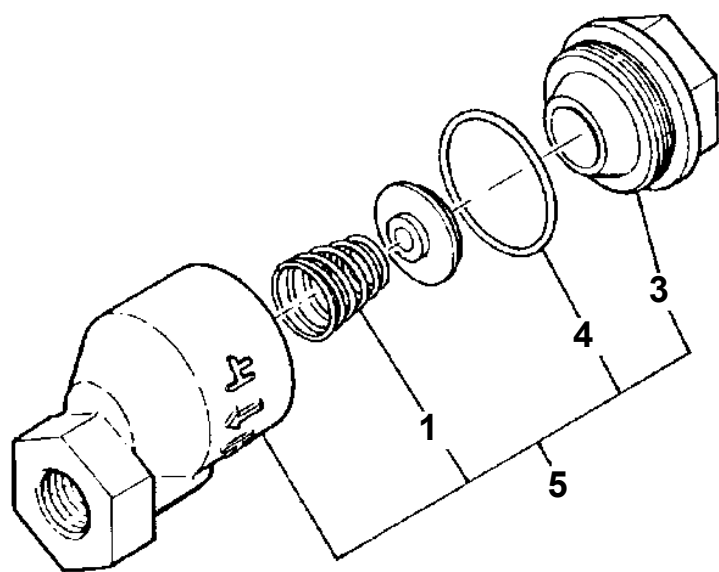
Pos No.	Parts No	Parts Name	Qty	Unit	Technical Data	Serial No (Start)	Serial No (End)	Remarks
4	36600060000	VALVE,RELIEF	1					
6	36642275010	O-RING	1					
7	36632465450	O-RING	1					
8	91002801100	O-RING	1		1B P11			
10	91000511700	O-RING	2					
11	91000513500	O-RING	1					
12	36641625010	SHIM	4					
17	19225102191	SPRING	2					
18	91001101200	O-RING	2		1A P12			
20	90131504065	BOLT,HEXAGON SOCKET	8		M4X65			
22	19225102632	SOLENOID	2					
24	91001202500	O-RING	2		1A G25			
25	91001100700	O-RING	4		1A P7			
26	90131508070	BOLT,HEXAGON SOCKET	2		M8X70			
27	90131508020	BOLT,HEXAGON SOCKET	2		M8X20			
28	36641625020	SPRING	2					
31	36641625030	PLUG	1					
33	36641625040	SPRING	1					
34	91002801600	O-RING	1		1B P16			
35	91000511700	O-RING	2					
36	91000513500	O-RING	1					
37	36641625010	SHIM	4					
42	36643985010	PLUG ASSY	1					
44	36641625060	COVER ASSY (PILOT)	2					
51	36648015080	BODY ASSY	1					
60	91000511900	O-RING	1		AS568-119			
61	91000511400	O-RING	1		AS568-114			
63	36632465400	RING,BACKUP	2					
66	36600065080	CAP	1					
70	36643980000	VALVE,SOLENOID	1					

TR-200E-2-00101 3 BOOM + JIB, 2M2D
PI1120283-00 VALVE,SOLENOID

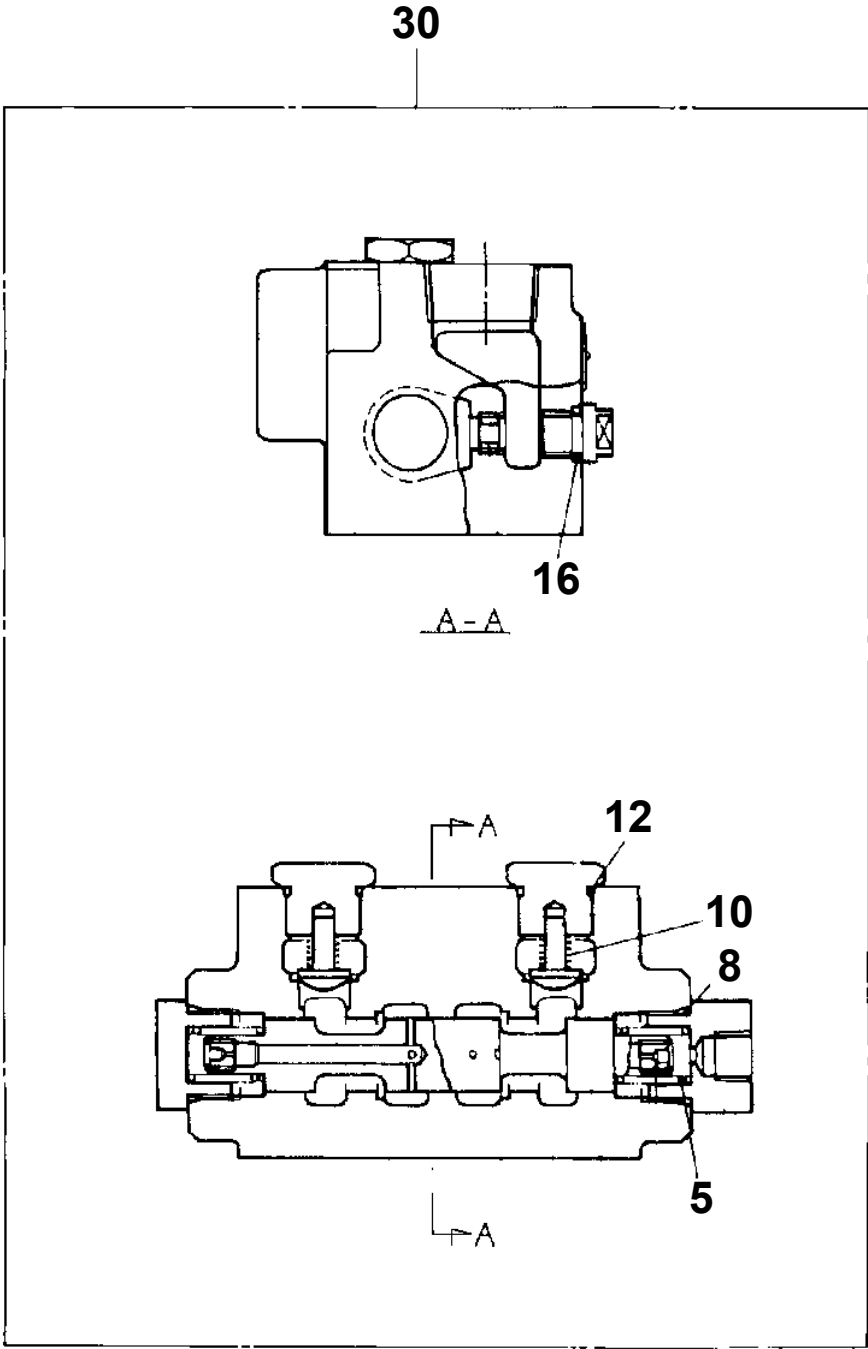
100



TR-200E-2-00101 3 BOOM + JIB, 2M2D
PI1140040-00 VALVE,CHECK

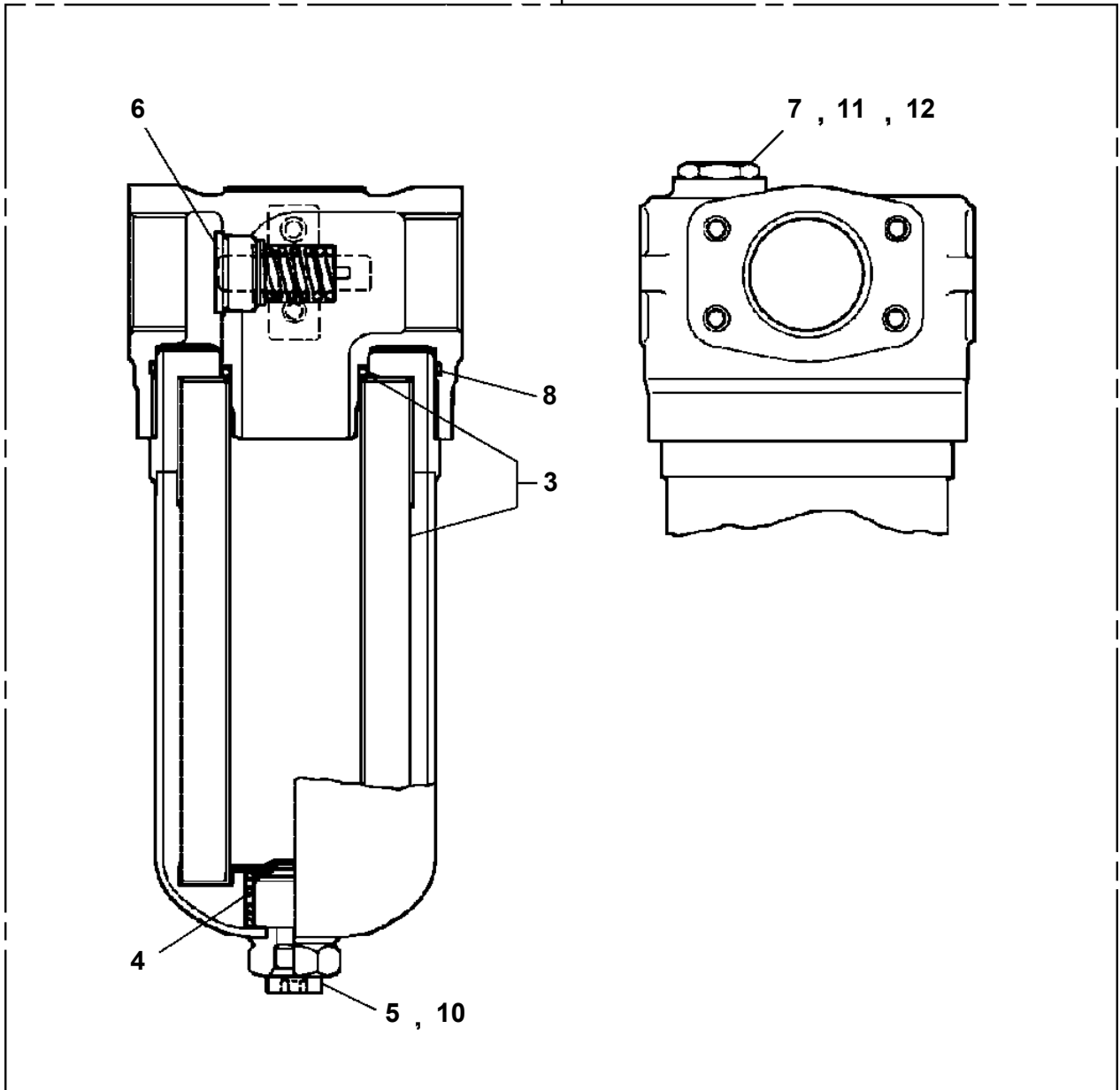


TR-200E-2-00101 3 BOOM + JIB, 2M2D
PI1160008-00 VALVE, FLOW CONTROL

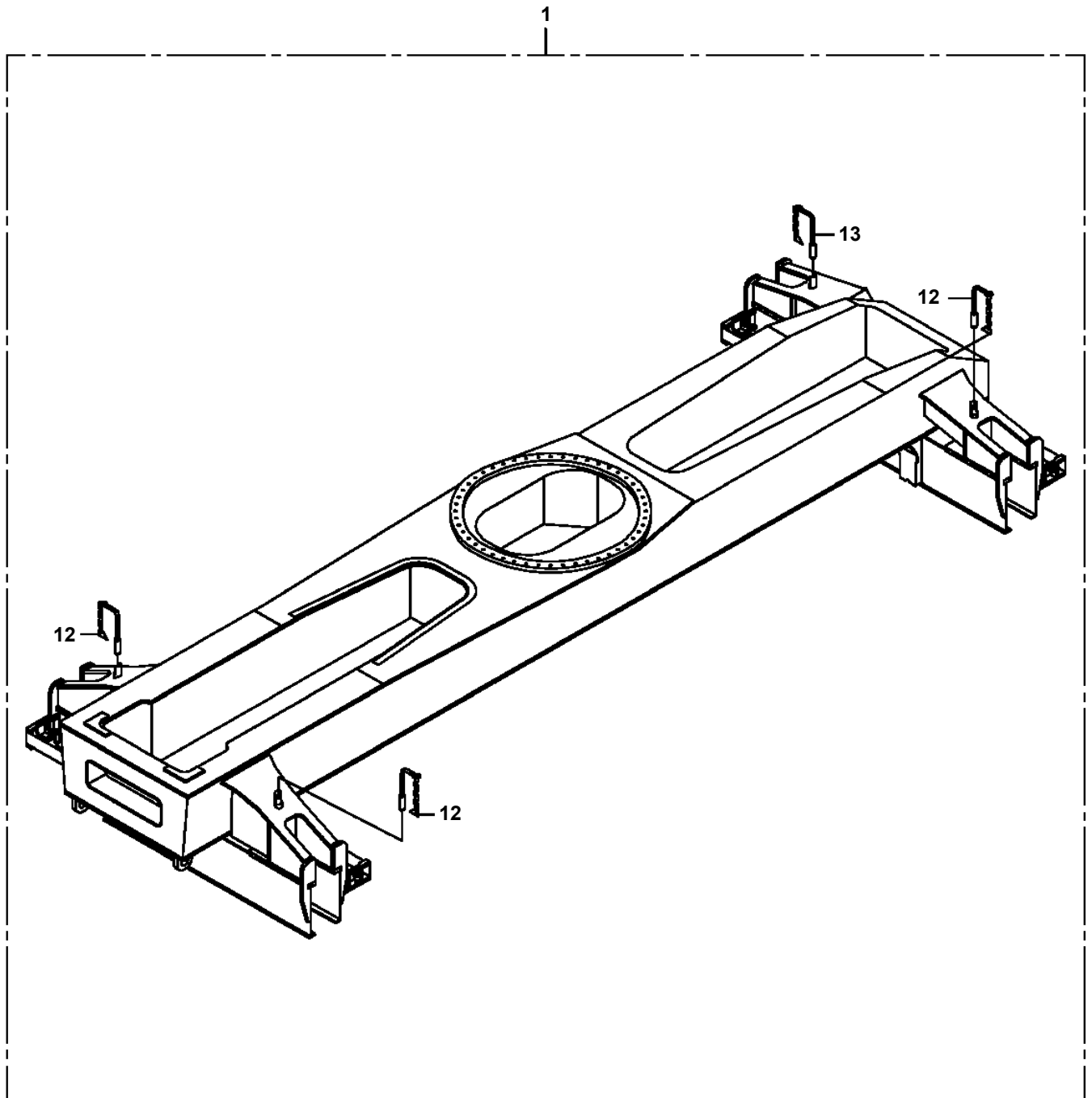


TR-200E-2-00101 3 BOOM + JIB, 2M2D
PI1300013-03 FILTER,OIL (TORQUE CONVERTER)

20



TR-200E-2-00101 3 BOOM + JIB, 2M2D
PK1011219-00 FRAME



CLICK HERE TO **DOWNLOAD** THE COMPLETE MANUAL

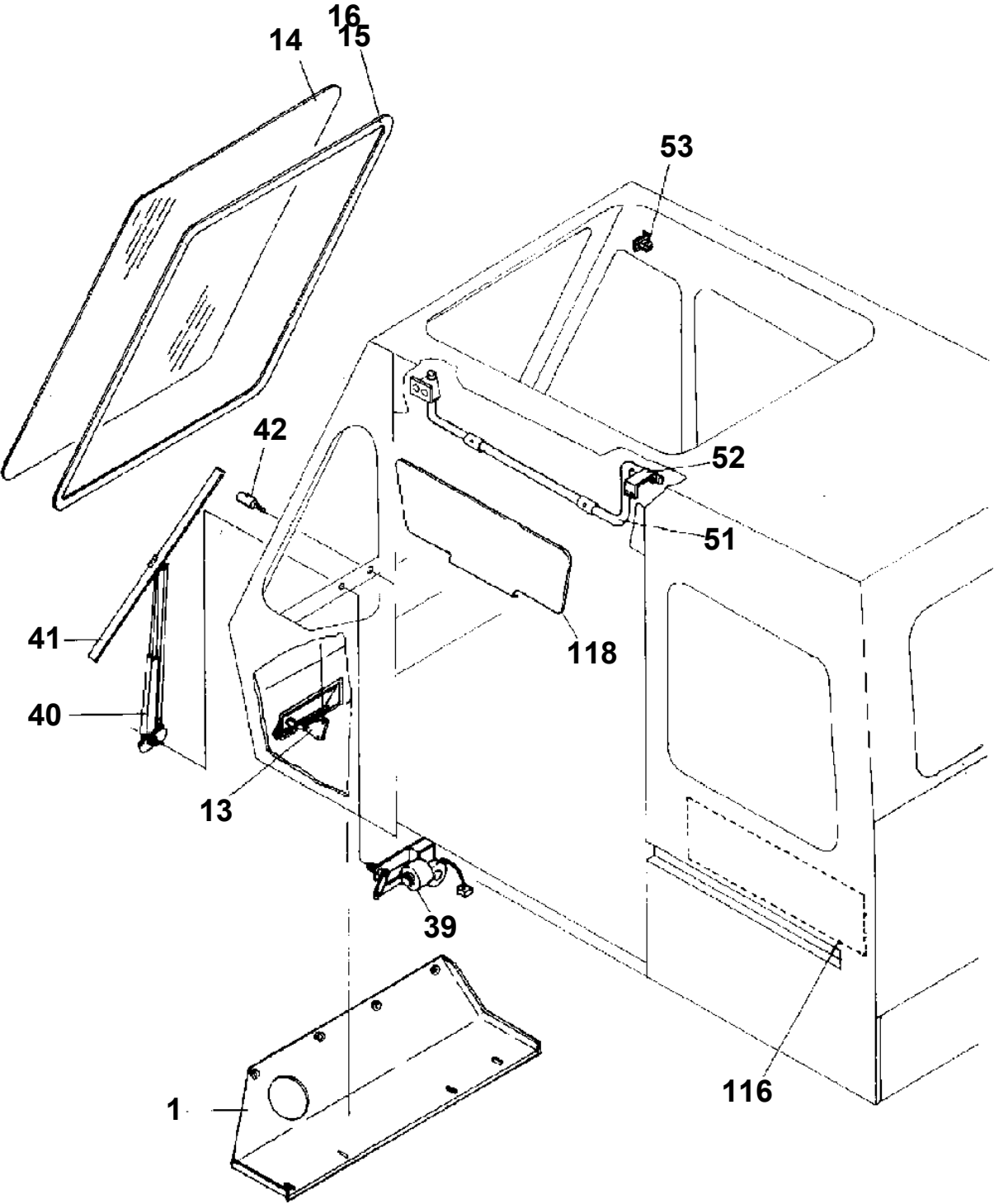
- Thank you very much for reading the preview of the manual.
- You can download the complete manual from: www.heydownloads.com by clicking the link below



- Please note: If there is no response to CLICKING the link, please download this PDF first and then click on it.

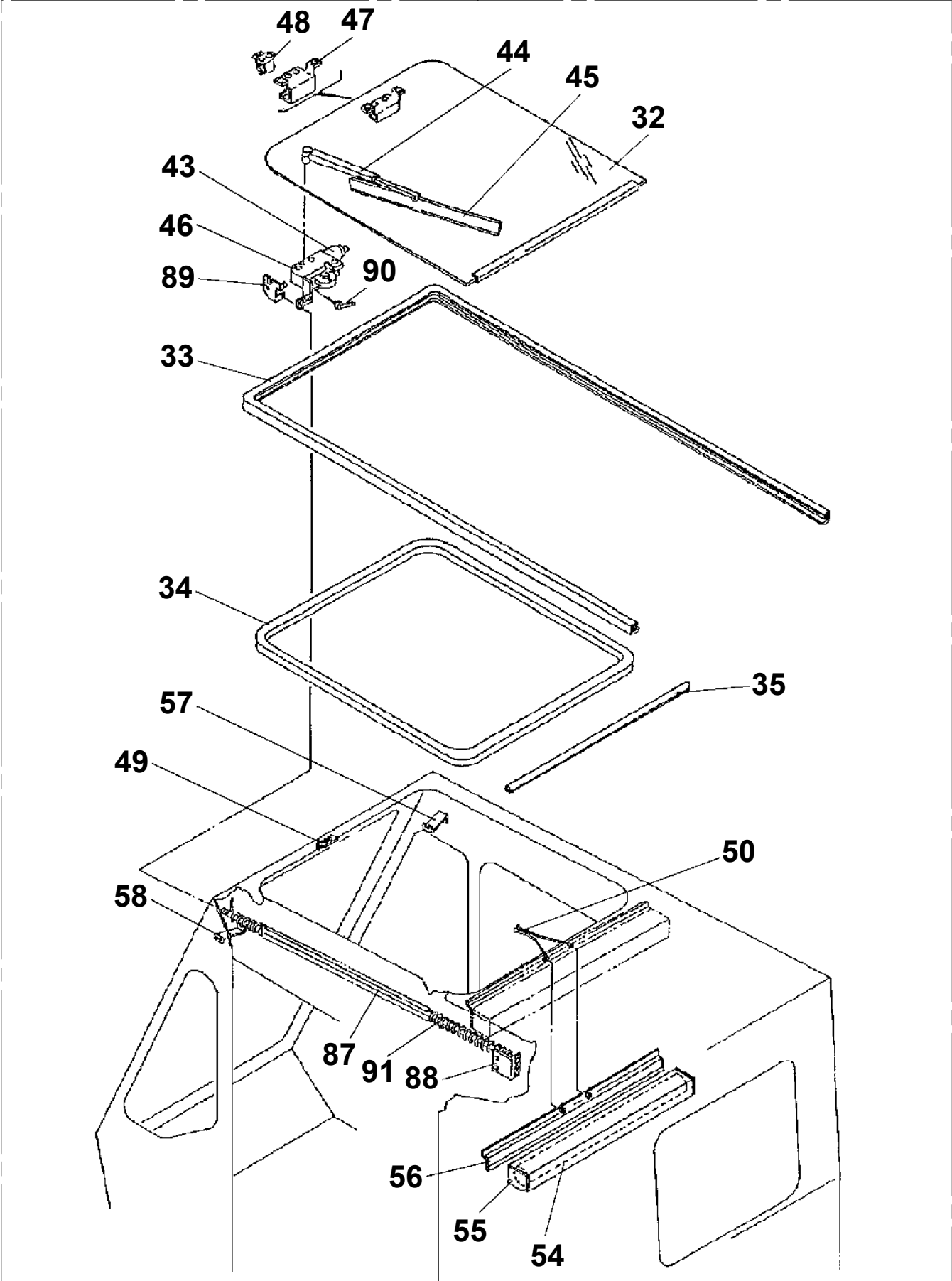
CLICK HERE TO **DOWNLOAD** THE COMPLETE MANUAL

TR-200E-2-00101 3 BOOM + JIB, 2M2D
PK1140063-03 CAB, OPERATOR



TR-200E-2-00101 3 BOOM + JIB, 2M2D
PK1140141-01 CAB, OPERATOR

200



TR-200E-2-00101 3 BOOM + JIB, 2M2D

Pos No.	Parts No	Parts Name	Qty	Unit	Technical Data	Serial No (Start)	Serial
1	34260367510	COVER (FRONT)	1				
2	34260367520	COVER (RIGHT FRONT)	1				
3	34260367530	RAIL (REAR)	1				
4	34260367540	GUIDE (FRONT)	1				
5	34260367550	LINER (REAR)	1				
6	34260361090	COVER (FUSE BOX)	1				
7	11612232000	KNOB	1				
8	34260095020	HANDLE	1				
9	82100000610	LAMP,ROOM	1				
10	82400000049	HANGER (HAT)	1				
12	34260367980	COVER (WEATHER STRIP)	1				
13	34260364000	VENTILATOR ASSY	1				
14	34260237540	GLASS (FRONT)	1				
15	34260237650	RUBBER (H,FRONT)	1				
16	34260237660	WEDGE (H RUBBER/FRONT)	1				
17	34260237671	GLASS (DOOR SIDE.FRONT)	1				
18	34260237681	WATER STRIP (DOOR SIDE.FRONT)	1				
19	34260005520	GLASS (DOOR)	1				
20	34260237690	WEATHER STRIP (WINDOW)	2				
21	34260237700	RUBBER (GLASS RAIL)	1				
22	34260237711	GLASS (DOOR SIDE.REAR)	1				
23	34260237721	RUBBER (H)	1				
24	34260237731	WEDGE (H RUBBER/ DOOR SIDE.REAR)	1				
25	34260237740	GLASS (REAR)	1				
26	34260237750	WATER STRIP (REAR)	1				
27	34260237551	GLASS (SASH SIDE.FRONT)	1				
28	34260237761	RUBBER (H)	1				
29	34260237771	WEDGE (H RUBBER/ SASH SIDE.FRONT)	1				
30	34260367570	SASH ASSY (WITH GLASS)	1				
31	34260005310	RUBBER (U)	1		L=600		
32	34260327510	GLASS (ROOF)	1				
33	34260237790	CHANNEL (ROOF GLASS,RUBBER)	1				
34	34260752120	WEATHER STRIP (L=3460,ROOF)	1				
35	34260237940	RUBBER (WITH SPRING)	1				
36	34260367590	HANDLE ASSY (GLASS)	2				
37	34260237820	HOLDER ASSY (GLASS/SIDE.FRONT)	2				
38	34260237830	HOLDER ASSY (GLASS/REAR)	2				
39	34260361200	MOTOR,WIPER	1				
40	34260233210	ARM,WIPER (FRONT)	1				
41	34260233220	BLADE,WIPER	1				
42	34260075080	NOZZLE (WINDOW WASHER)	1				
43	34260363200	MOTOR (ROOF WIPER)	1				
44	34260233241	ARM,WIPER (ROOF)	1				
45	34260233251	BLADE,WIPER (ROOF)	1				
46	34260367600	SUPPORT ASSY (ROOF WIPER MOTOR)	1				
47	34260367610	HANDLE ASSY (ROOF INNER)	1				
48	34260367620	LOCK ASSY (ROOF GLASS)	1				
49	34260367630	HOOK ASSY (ROOF GLASS)	1				
50	34260367640	HOOK (REAR ROOF)	1				
51	34260367650	FRAME ASSY (WITHOUT SUN VISOR)	1				
52	34260237851	SUPPORT (SUN VISOR)	1				
53	34260367660	SUPPORT (SUN VISOR)	1				
54	34260757540	BAR ASSY (ROLL)	1				
55	34260367670	BOX (SUN VISOR)	1				
56	34260367680	COVER (SUN VISOR)	1				
57	34260367690	STOPPER (SUN VISOR,SASH SIDE)	1				
58	34260367700	STOPPER (SUN VISOR,DOOR SIDE)	1				
59	34260367710	HOOK ASSY (SLIDE)	1				
60	34260367720	DOOR ASSY	1				
61	34260233260	WEATHER STRIP (L=3900,DOOR)	1				
62	34260367730	HANDLE (DOOR OUTER)	1				
63	34260322300	SWITCH ASSY (STARTER & DOOR LOCK CYL.)	1			555070	
64	34260367740	ARM ASSY (SWING)	1				

TR-200E-2-00101 3 BOOM + JIB, 2M2D

Pos No.	Parts No	Parts Name	Qty	Unit	Technical Data	Serial No (Start)	Serial No (End)	Remarks	Pages
1	34281201000	COUNTERWEIGHT	1				555045		
	34281201001	COUNTERWEIGHT	1			555046			
2	90171124140	BOLT	2		M24X140				
3	90171124060	BOLT	4		M24X60				
4	33281440010	PLATE	6				555191		

TR-200E-2-00101 3 BOOM + JIB, 2M2D

Pos No.	Parts No	Parts Name	Qty	Unit	Technical Data	Serial No (Start)	Serial No (End)	Remarks
1	90101706016	BOLT	3		M6X16			
2	90201200600	NUT	3		M6			
3	90302040601	WASHER,SPRING	5		6			
4	34710612300	LEVER	1					
5	34710612200	LINK	1					
6	56444812000	BOLT	1					
7	90303070601	WASHER,PLAIN	7		6			
8	80136320010	PIN,SPLIT	3		2X10			
9	34710730300	PLATE	2				555197	
10	59440015000	NUT	2		M26			
11	59440017000	CYLINDER,AIR	1					
16	34710610301	ROD ASSY	1					
17	34710610501	SUPPORT	1					
18	36061120000	CYLINDER,AIR	1					
19	34710610450	BOLT	1					
20	90302041001	WASHER,SPRING	7		10			
21	90303071001	WASHER,PLAIN	2		10			
22	90201201000	NUT	2		M10			
23	37000105250	PIN	2					
24	34710610460	SUPPORT	1					
25	90101208014	BOLT	2		M8X14		555074	
	90101208016	BOLT	2		M8X16	555075		
26	90302040801	WASHER,SPRING	10		8			
27	90303070801	WASHER,PLAIN	2		8			
28	90201200800	NUT	6		M8			
29	34710790100	PLATE	1					
30	37001300010	SPRING	1					
31	34710730100	LEVER	1				555100	
	34710730101	LEVER	1			555101		
32	90131508020	BOLT,HEXAGON SOCKET	4		M8X20		555085	
	90131508022	BOLT,HEXAGON SOCKET	4		M8X22	555086		
33	37000101470	PIN	1					
34	34710611000	LEVER	1					
35	90303071601	WASHER,PLAIN	2		16			
36	34710611100	LEVER	1					
37	90201201200	NUT	1		M12			
38	90302041201	WASHER,SPRING	1		12			
39	90303071201	WASHER,PLAIN	1		12			
40	90101210025	BOLT	4		M10X25			
41	34710612100	SUPPORT	1					
42	34710730200	SUPPORT	1				555100	
	34710611300	SUPPORT	1			555101		
43	90101206012	BOLT	2		M6X12			
44	80182306040	SCREW,MACHINE	1					
45	90101206020	BOLT	1		M6X20		555100	
	90101206025	BOLT	1		M6X25	555101		
46	90101208025	BOLT	2		M8X25			
51	90201200800	NUT	3		M8			
52	90302040801	WASHER,SPRING	2		8			
53	80565000082	END	1					
54	90291200800	NUT	1		M8			
56	80565000081	END	1					
63	80804016015	BEARING,PLAIN	3					

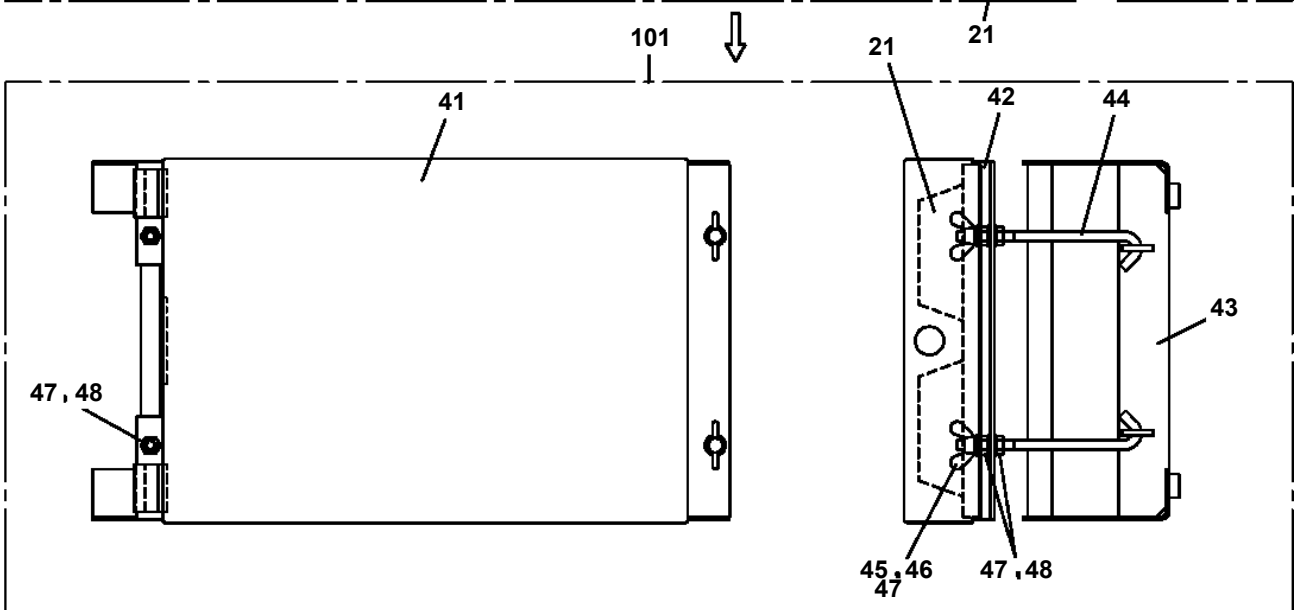
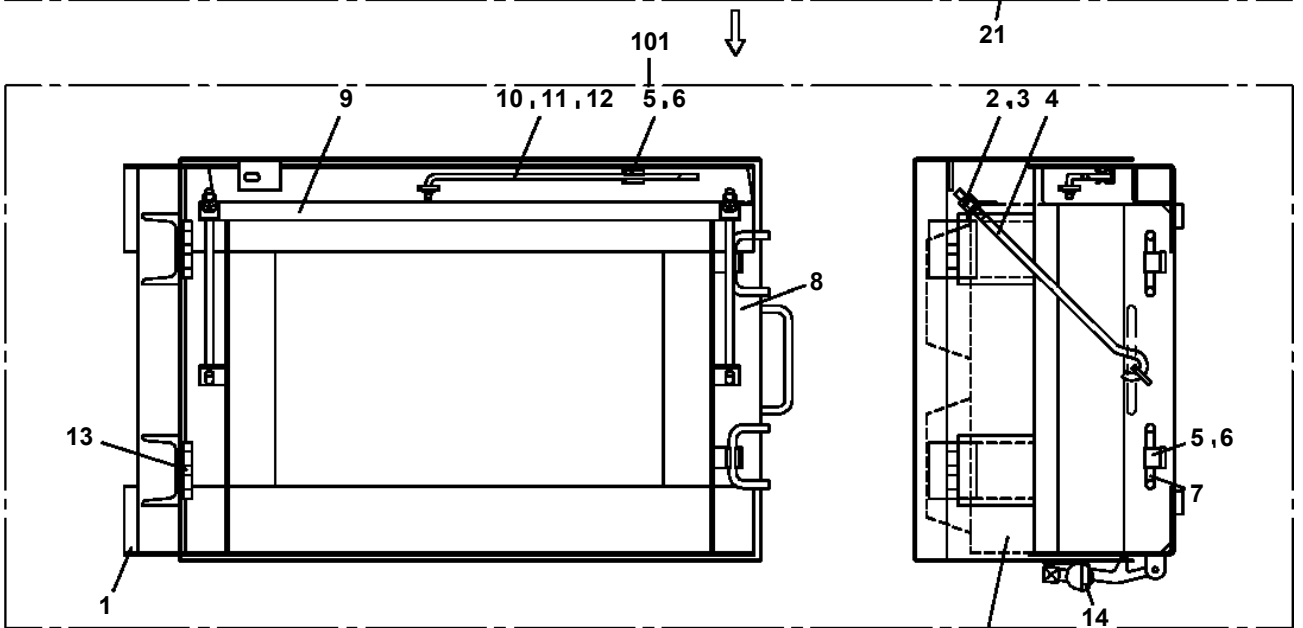
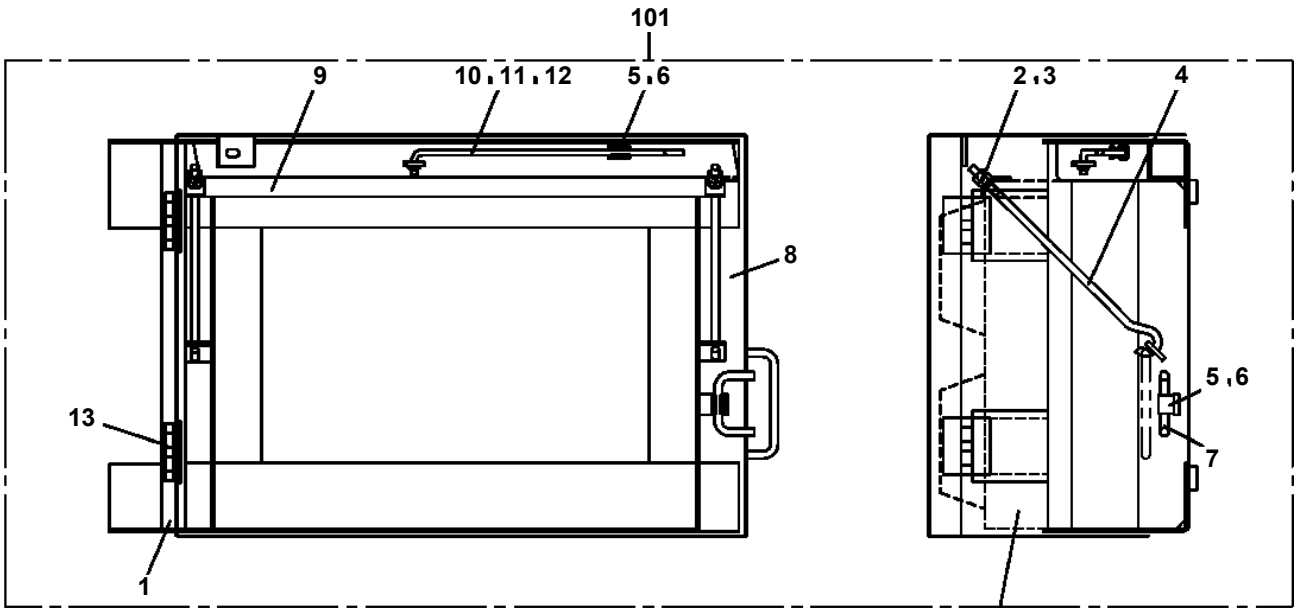
TR-200E-2-00101 3 BOOM + JIB, 2M2D

Pos No.	Parts No	Parts Name	Qty	Unit	Technical Data	Serial No (Start)	Serial
53	34350350090	GUARD	1				
54	90441340060	SCREW,TAPPING	4		M4X6		
55	8210000208	CLAMP	3		WT4		
56	8210000207	CLAMP	1				
57	80172304012	SCREW,MACHINE	4		M4X12		
58	90302040401	WASHER,SPRING	4		4		
59	90303070401	WASHER,PLAIN	4		4		
60	34351410900	SWITCH ASSY	1				
61	89630103000	HOSE,VINYL	1		4X6,3M		
62	19218101010	VALVE,CHECK	1				
63	34351416000	HARNESS	1			555046	
64	34351500600	GROMMET	2			555199	
71	36680210000	GAUGE,TEMPERATURE (OIL)	1				
72	36680220000	GAUGE,TEMPERATURE (WATER)	1				
73	36681480000	SPEEDOMETER	1				
74	80192484020	SCREW,MACHINE	8		M4X20		
75	36680800000	TACHOMETER	1				
77	36680240000	GAUGE,FUEL	1				
78	82100001382	SWITCH,PUSH (BLACK)	2				
79	82100001683	SWITCH,TOGGLE	2				
80	82100001696	SWITCH,TOGGLE	1				
81	19112221001	STOPPER	1				
82	90101204016	BOLT	2		M4X16		
83	90303070401	WASHER,PLAIN	4		4		
84	90306000040	WASHER	4		4		
85	90201200400	NUT	2		M4		
86	19112226001	STOPPER	1				
87	34351411100	LAMP,PILOT	1				
88	80175404016	SCREW,MACHINE	2		M4X16		
89	82100001882	LIGHTER,CIGARETTE	1				
90	34351322400	SWITCH ASSY	1				55506
	34260322300	SWITCH ASSY (STARTER & DOOR LOCK CYL.)	1			555070	
91	19218112000	LAMP,PILOT	2				
92	82100002273	CONNECTOR	1				
93	82100002267	CONNECTOR	1				
101	82100001696	SWITCH,TOGGLE	1				
102	82100001382	SWITCH,PUSH (BLACK)	5				
103	82100001696	SWITCH,TOGGLE	1				
104	19112221001	STOPPER	1				
105	90101204016	BOLT	2		M4X16		
106	90303070401	WASHER,PLAIN	4		4		
107	90306000040	WASHER	4		4		
108	90201200400	NUT	2		M4		
109	82100001682	SWITCH,TOGGLE	1				
110	19112226001	STOPPER	1				
111	82100001685	SWITCH,TOGGLE	1				
112	82100002275	CONNECTOR	1				
113	82100002271	CONNECTOR	1				
114	34351412100	SWITCH ASSY	1				
121	34351413010	SWITCH ASSY	1				
122	82100002539	KNOB	1				
123	34350002100	CAP	1				
124	82100001686	SWITCH,TOGGLE	1				
125	82100002267	CONNECTOR	1				
131	82100000044	BULB,LAMP (24V 60/60W>	2				55521
141	82100001171	BULB,LAMP	1		24V 60W		
	82100001171	BULB,LAMP	2		24V 60W	555219	
151	82100000501	BULB,LAMP	7		24V 3W		
161	34350352150	COVER	1				
163	90925030101	SCREW,TAPPING	10		M3X10		
164	34351411110	PLATE,NAME	1				
165	34350352180	COVER	1				
166	82100002470	BULB,LAMP	18				

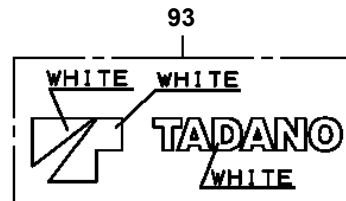
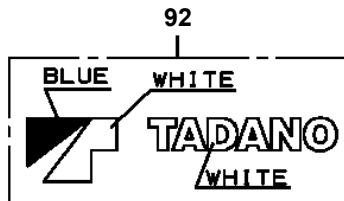
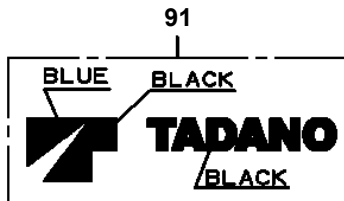
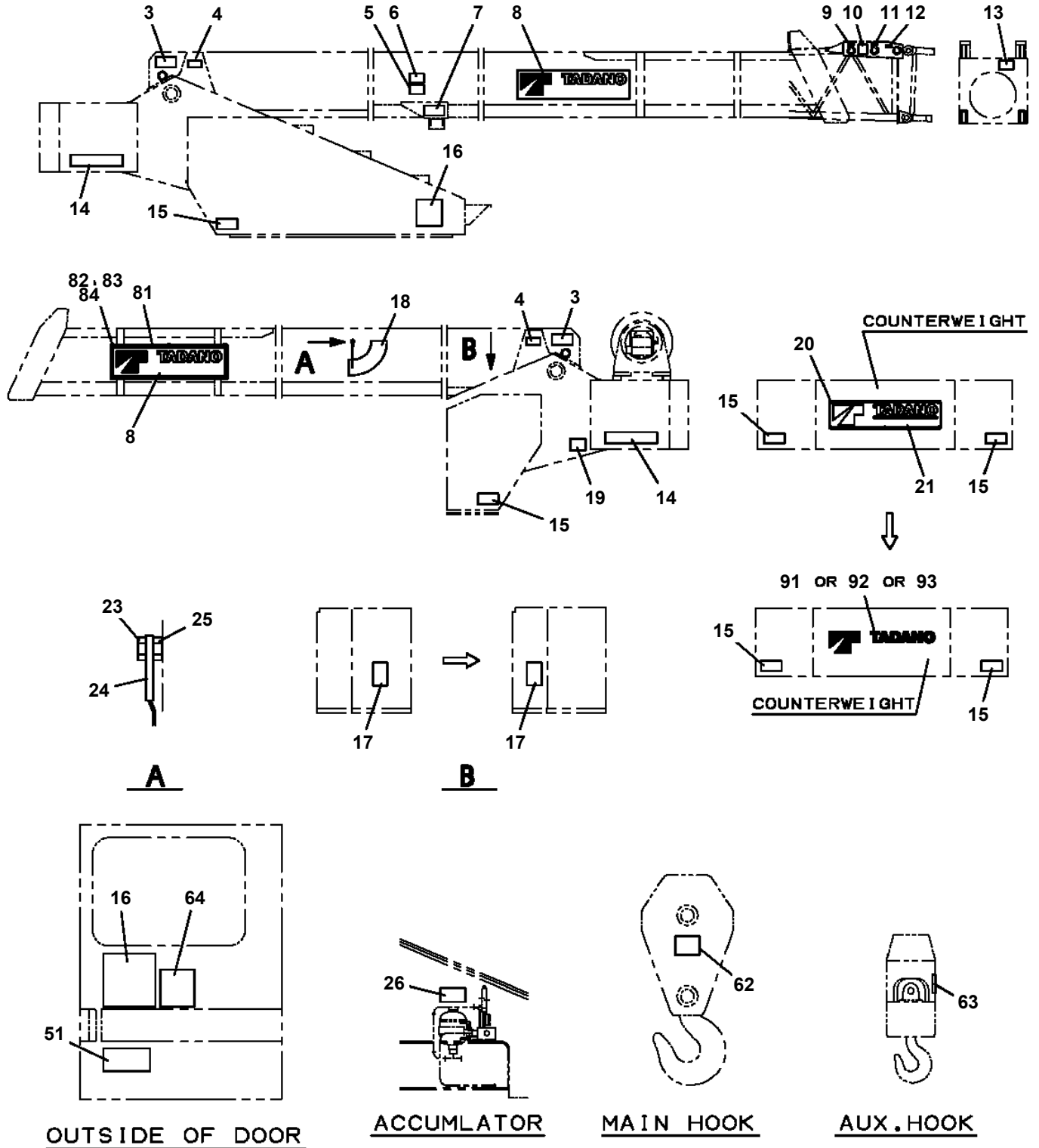
TR-200E-2-00101 3 BOOM + JIB, 2M2D

Pos No.	Parts No	Parts Name	Qty	Unit	Technical Data	Serial No (Start)	Serial No (End)	F
1	34351571311	PLATE	1					
2	80182306010	SCREW,MACHINE	14		M6X10			
3	90302040601	WASHER,SPRING	14		6			
4	90303070601	WASHER,PLAIN	14		6			
5	82100002014	CLAMP	1		WR20			
6	82100002010	CLAMP	1		WR15			
7	82100002006	CLAMP	1		WR10			
8	82100002596	RELAY	8					
9	82100002597	RELAY	1					
10	59481504000	RELAY	1					
11	82100000266	DIODE	6					
12	82100001200	DIODE	1					
13	82100001884	TERMINAL	2					
14	34350351500	PLATE	2					
15	80172303016	SCREW,MACHINE	4		M3X16			
16	90302040301	WASHER,SPRING	14		3			
17	90303070301	WASHER,PLAIN	14		3			
18	34351571340	RELAY ASSY	4					
19	80172303012	SCREW,MACHINE	10		M3X12			
20	34351571350	RELAY ASSY (WITH CONNECTOR)	1					
21	34350356500	CONVERTER (DC-DC,24V TO 12V)	1					
22	80172304020	SCREW,MACHINE	8		M4X20			
23	90302040401	WASHER,SPRING	8		4			
24	34350003700	BOX,FUSE	1					
25	80172305016	SCREW,MACHINE	2		M5X16			
26	90302040501	WASHER,SPRING	2		5			
27	90303070501	WASHER,PLAIN	2		5			
28	82100002360	HOLDER,FUSE	1					
29	82100000745	FUSE	4		10A,6.5X30		555174	
	82100000745	FUSE	3		10A,6.5X30	555175		
30	82100001193	FUSE	1		20A,6.5X30	555175		
31	82100001348	FUSE	1		15A,6.5X30			
32	34350851600	SWITCH ASSY	1					
33	34350851500	RELAY ASSY (FAMOTH)	1					
	34350856100	RELAY ASSY (YONKEI)	1					
34	90303070401	WASHER,PLAIN	2		4			
35	90306000040	WASHER	2		4			
36	90201200400	NUT	1		M4			
37	19112226001	STOPPER	1					
38	34350852310	SWITCH ASSY	1					
39	90101204016	BOLT	1		M4X16			
40	34351414101	HARNESS	1					
51	82100001200	DIODE	2					
52	82100000266	DIODE	3					
53	82100002596	RELAY	1					
54	80182306010	SCREW,MACHINE	1		M6X10			
55	90302040601	WASHER,SPRING	1		6			
56	90303070601	WASHER,PLAIN	1		6			
57	34350171680	RELAY ASSY	1					
58	80172303012	SCREW,MACHINE	2		M3X12			
59	90302040301	WASHER,SPRING	2		3			
60	90303070301	WASHER,PLAIN	2		3			
61	82100001404	TERMINAL	9					
62	82100001220	INSULATOR	9					
63	82100002265	CONNECTOR (5POLES,MALE)	1					
64	82100002256	TERMINAL	5					
65	82100002266	CONNECTOR	1					
66	82100002258	TERMINAL	5					
67	82100001645	CONDENSER	1					
68	82100000192	TERMINAL	1					
69	82100000182	INSULATOR	1					
70	82100000191	TERMINAL	1					
71	82100000183	INSULATOR	1					

**TR-200E-2-00101 3 BOOM + JIB, 2M2D
PN1370043-01 BATTERY INSTALLATION**



TR-200E-2-00101 3 BOOM + JIB, 2M2D
PO1010747-04 PLATE ASSY,NAME (UPPER.2M2D)



TR-200E-2-00101 3 BOOM + JIB, 2M2D

Pos No.	Parts No	Parts Name	Qty	Unit	Technical Data	Serial No (Start)	Serial No (End)	Remarks
1	34392531430	PLATE,NAME	2					
2	14137207000	PLATE,NAME (GREASE)	1					

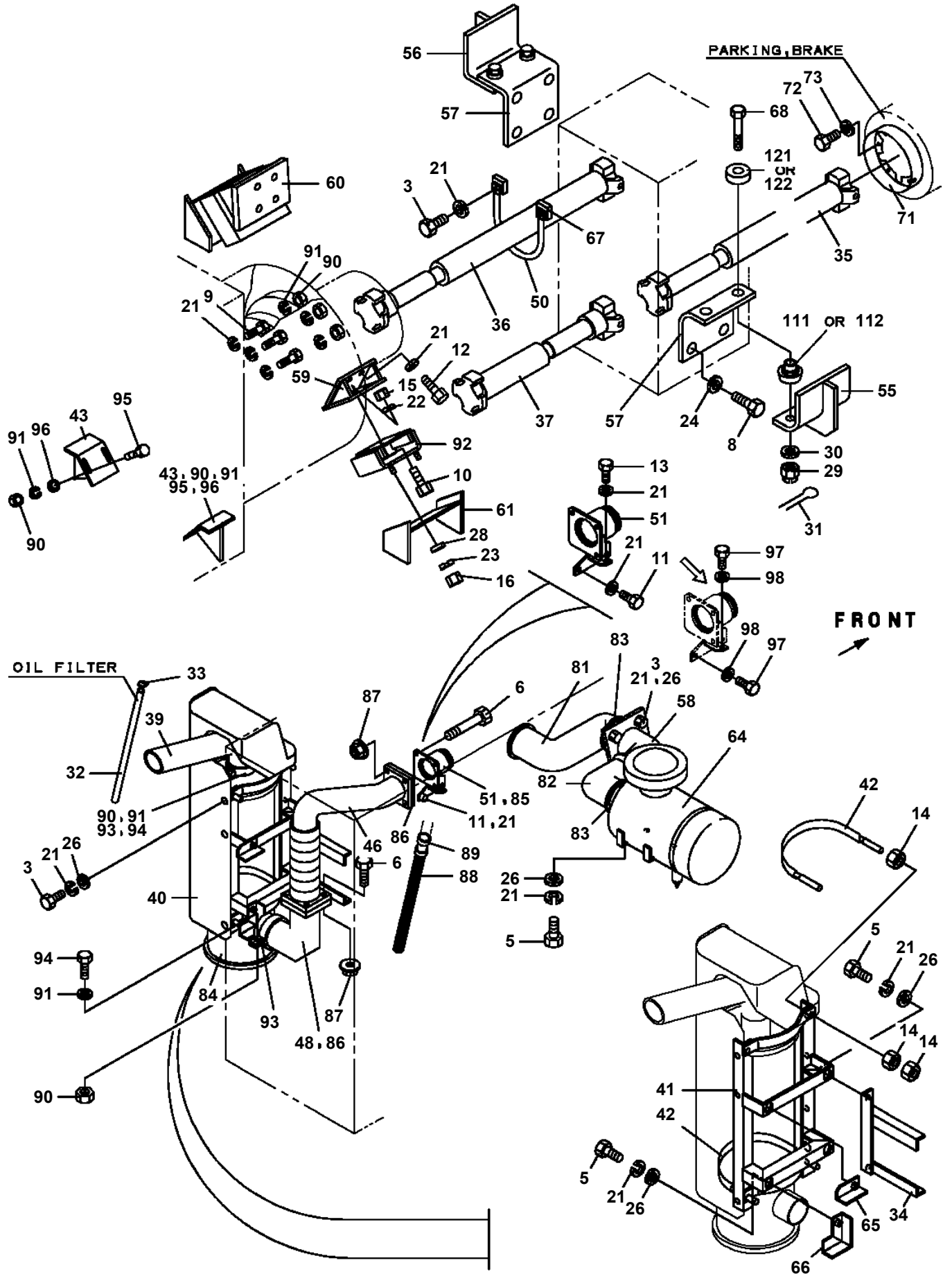
TR-200E-2-00101 3 BOOM + JIB, 2M2D

Pos No.	Parts No	Parts Name	Qty	Unit	Technical Data	Serial No (Start)	Serial No (End)	Remarks	P
1	37004100030	PUMP,GREASE (240CC)	1						

TR-200E-2-00101 3 BOOM + JIB, 2M2D

Pos No.	Parts No	Parts Name	Qty	Unit	Technical Data	Serial No (Start)	Serial No (E
1	81401010001	PIPE,STEEL (DOUBLE LAYER)	1	M	10X0.7T		
2	81401080001	PIPE,STEEL (DOUBLE LAYER)	1	M	8X0.7T		
3	34880230500	HOSE	1		L=500		
4	91803600160	CLIP	10		D=11-16		
5	34880221500	HOSE	1		L=1500		
6	34880321700	HOSE	1				555115
	34880221650	HOSE	1			555116	
7	37000539800	PLATE	2				555202
	37000544260	PLATE	2			555203	
8	90303071201	WASHER,PLAIN	2		12		
9	80136332025	PIN,SPLIT	2		3.2X25		
10	56560009000	PIN	2				
11	34880320020	GUARD	1				
12	34880305000	SENDER,FUEL	1				555069
	34880306000	SENDER,FUEL	1			555070	555280
	36180060000	SENDER,FUEL	1			555281	
13	34880270570	HOSE	1				
14	34880030550	HOSE	1		L=550		
18	34880171000	SEPARATOR,WATER (WITH PRE-FILTER)	1				
19	34880320100	SUPPORT	1				555115
	34880320200	SUPPORT	1			555116	
21	37000502460	PLATE	1				
22	37000711080	CLAMP ASSY	1		12-2		
23	34880340100	BAND	2		L=1100	555203	
25	90201201000	NUT	4		M10		
26	36100110000	TANK,FUEL (250L)	1				555069
	36101390000	TANK,FUEL (250L)	1			555070	555162
27	34880291000	SUPPORT	1				
28	37000300710	SLEEVE	3		12-8		
29	37000300720	SLEEVE	3		12-10		
35	90101210025	BOLT	2		M10X25		
36	90302041001	WASHER,SPRING	2		10		
37	90303071001	WASHER,PLAIN	2		10		
38	37000548110	PLATE	1				
39	82100002040	CLAMP	4		WE15		
40	82100002011	CLAMP	1		WRC15		
41	90101208035	BOLT	3		M8X35		
42	90302040801	WASHER,SPRING	5		8		
43	90201200800	NUT	8		M8		
44	90101208020	BOLT	1		M8X20		
45	36101860000	TANK,FUEL	1			555163	
50	34880278020	BAND ASSY	1				555202
63	59460002000	BAND	1				555202
64	59460005000	CUSHION	1				555202
71	34880306000	SENDER,FUEL	1			555281	

TR-200E-2-00101 3 BOOM + JIB, 2M2D
PQ1140036-02 POWER TRAIN



TR-200E-2-00101 3 BOOM + JIB, 2M2D

Pos No.	Parts No	Parts Name	Qty	Unit	Technical Data	Serial No (Start)	Ser
1	(*****)	HOUSING,TRANSMISSION	1				
2	36350246040	CLUTCH PACK, TRANSMISSION (F2&R)	1				
3	36350246050	CLUTCH PACK, TRANSMISSION (F3&F1)	1				
4	(*****)	OUTPUT SHAFT,TRANSMISSION	1				
5	(*****)	INPUT SHAFT,TRANSMISSION	1				
6	(*****)	COUNTER SHAFT,TRANSMISSION	1				
7	36350305080	PRESSURE REGULATOR VALVE,TRANSMISSION	1				
8	(*****)	SPEEDOMETER, TRANSMISSION	1				
9	36350246100	VALVE,RELIEF (LUBRICATING OIL,T/M)	1				
20	36350300000	TRANSMISSION	1				

TR-200E-2-00101 3 BOOM + JIB, 2M2D

Pos No.	Parts No	Parts Name	Qty	Unit	Technical Data	Serial No (Start)	Serial No (End)
1	36350205610	BEARING,ROLLER	1				
2	36350205620	WASHER	1				
3	36350205630	WASHER,THRUST	1				
4	36350205640	BEARING,THRUST NEEDLE	1				
5	36350245340	WASHER,THRUST	1				
6	36350205660	BEARING,NEEDLE	1				
7	36350205670	GEAR (C)	1				
8	59133020040	RING,RETAINING	1				
9	36350205680	PLATE (BACK)	1				
10	36350205690	PLATE,SINTER	7				
11	36350205700	PLATE (STEEL)	6				
12	36350245340	WASHER,THRUST	1				
13	36350205640	BEARING,THRUST NEEDLE	1				
14	36350205630	WASHER,THRUST	1				
15	36350205710	RING,RETAINING	1				
16	36350205720	SPRING	1				
17	36350205730	PISTON (CLUTCH)	1				
18	59133120100	RING,OIL SEAL	1				
19	59433040110	RING,OIL SEAL	1				
20	36350205740	SHAFT (CLUTCH)	1				
21	59433040110	RING,OIL SEAL	1				
22	59133120100	RING,OIL SEAL	1				
23	36350205730	PISTON (CLUTCH)	1				
24	36350205720	SPRING	1				
25	36350205710	RING,RETAINING	1				
26	36350205620	WASHER	1				
27	36350205640	BEARING,THRUST NEEDLE	1				
28	36350245340	WASHER,THRUST	1				
29	36350205690	PLATE,SINTER	7				
30	36350205700	PLATE (STEEL)	6				
31	36350205680	PLATE (BACK)	1				
32	59133020040	RING,RETAINING	1				
33	36350205750	GEAR (G)	1				
34	36350205660	BEARING,NEEDLE	1				
35	36350245340	WASHER,THRUST	1				
36	36350205640	BEARING,THRUST NEEDLE	1				
37	36350205630	WASHER,THRUST	1				
38	36350205760	WASHER	1				
39	36350205610	BEARING,ROLLER	1				
40	36350205550	SHIM SET	1				
41	36350205770	RING,OIL SEAL	3				
50	36350246040	CLUTCH PACK, TRANSMISSION (F2&R)	1				

TR-200E-2-00101 3 BOOM + JIB, 2M2D

Pos No.	Parts No	Parts Name	Qty	Unit	Technical Data	Serial No (Start)	Serial No (End)	Remarks	Pa
1	36350205870	PLUG	1						
2	36350205881	SHAFT,DRIVING	1						
3	80602111250	RING,RETAINING	1		125				
4	80500006214	BEARING,BALL	1						
5	36350205890	WASHER	1						
6	36350205900	RING,RETAINING	1						
7	36350026360	RING,RETAINING	1						
8	36350026340	COLLAR	1						
9	36350245370	BEARING,BALL	1						
10	36350026320	RING,RETAINING	1						
11	36350026350	SLEEVE,SLIDE	1						
12	36350026300	BEARING,NEEDLE	1						
13	36350026310	RING,RETAINING	1						
14	36350345220	PLUG	1						
15	36350205910	RING,RETAINING	1						
16	36350205920	WASHER	1						
17	80500006314	BEARING,BALL	1						
18	36350205940	WASHER	1						
19	36350205950	WASHER,THRUST	4						
20	36350026230	BEARING,THRUST	4						
21	36350245400	WASHER,THRUST	4						
22	36350245411	GEAR (F)	1						
23	36350026260	BEARING,NEEDLE	2						
24	36350026240	BEARING,NEEDLE	2						
25	36350026210	SLEEVE,SLIDE	1						
26	36350205980	SHAFT (OUTPUT)	1						
27	36350205991	GEAR (K)	1						
28	36350206000	GEAR,PUMP DRIVING	1						
29	36350206010	WASHER	1						
30	80518006214	BEARING,BALL	1						
31	59433510180	RING,OIL SEAL	2						
32	36350206030	RACE,SEAL	1						
33	36350206040	FLANGE (OUTPUT)	1						
34	36350026500	O-RING	1						
35	36350026410	WASHER	1						
36	90302041201	WASHER,SPRING	2		12				
37	90101512030	BOLT	2		M12X30				

TR-200E-2-00101 3 BOOM + JIB, 2M2D

Pos No.	Parts No	Parts Name	Qty	Unit	Technical Data	Serial No (Start)	Ser
3	36350206070	SPRING	1				
4	59233070130	PACKING (COPPER)	1				
5	36350025690	PLUG	1				
7	36350245440	SPRING	1				
9	36350245460	SPRING	1				
10	36350245470	SPRING	1				
11	36350245480	SPRING	1				
13	36350185660	SPRING	1				
14	36350185650	SPRING	1				
15	36350185640	SPRING	1				
17	36350036520	SPRING	1				
19	36350206090	PACKING	1				
20	36350206101	COVER	1				
21	90302041001	WASHER,SPRING	10		10		
22	90101510030	BOLT	9		M10X30		
	90101510025	BOLT	1		M10X25		
23	36350036791	ELEMENT,FILTER	1				
24	36350245030	O-RING	1				
25	36350245040	O-RING	1				
26	36350036800	O-RING	1				
27	36350305140	PLUG	1				
28	90302041001	WASHER,SPRING	10		10		
29	90101510100	BOLT	10		M10X100		
30	36350305080	PRESSURE REGULATOR VALVE,TRANSMISSION	1				

TR-200E-2-00101 3 BOOM + JIB, 2M2D

Pos No.	Parts No	Parts Name	Qty	Unit	Technical Data	Serial No (Start)	Serial No (End)
3	36350036680	SPRING	1				
4	59133570020	PACKING (COPPER)	1				
5	59133585100	PLUG	1				
10	36350246100	VALVE,RELIEF (LUBRICATING OIL,T/M)	1				

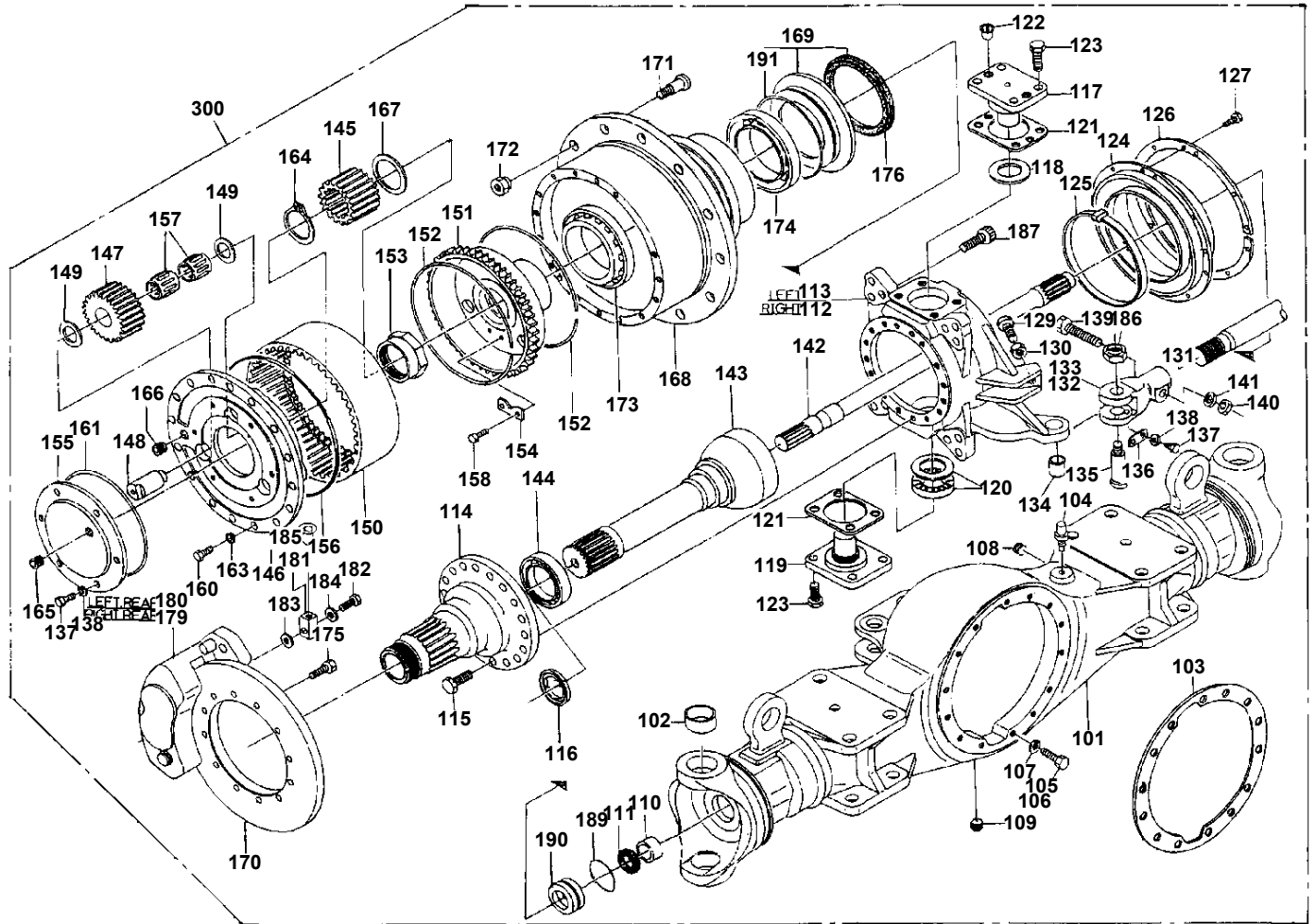
TR-200E-2-00101 3 BOOM + JIB, 2M2D

Pos No.	Parts No	Parts Name	Qty	Unit	Technical Data	Serial No (Start)	Serial No (End)	Rem
1	36301185010	SPIDER ASSY	2					
2	36301185030	YOKE ASSY	1					
3	36300055031	BOLT	16		NF1/2X55X20			
4	36300055040	WASHER,SPRING	16					
11	59236000010	NIPPLE,GREASE (UNF1/4X35A)	2					
20	36301185001	PROPELLER SHAFT,DRIVING	1					
21	36301755020	CAP (RETAINER)	1					
22	36300945020	WASHER (RETAINER)	2					
23	36300945030	WASHER,FELT	1					
24	59236000020	NIPPLE,GREASE	1		NPTF 1/8A			

TR-200E-2-00101 3 BOOM + JIB, 2M2D

Pos No.	Parts No	Parts Name	Qty	Unit	Technical Data	Serial No (Start)	Serial N
120	59172071080	BEARING,THRUST	2				
121	59172030280	SHIM SET	1				
122	36380215350	COVER	8				
123	90103720050	BOLT	16		M20X50		
124	36380105381	BOOT,RUBBER (SPINDLE)	2				
125	59172030450	BAND	2				
126	36380105390	PLATE (LOCK RUBBER BOOT)	4				
127	36380435010	BOLT (WITH WASHER)	24				
129	36381015070	BOLT,STOPPER	2				
130	90211702400	NUT	2		M24		
131	36380875120	TIE ROD	1				555136
	36380875121	TIE ROD	1			555137	
132	36380875130	END,TIE ROD (RIGHT HAND SCREW)	1				555136
	36380875131	END,TIE ROD (RIGHT HAND SCREW)	1			555137	
133	36380875140	END,TIE ROD (LEFT HAND SCREW)	1				555136
	36380875141	END,TIE ROD (LEFT HAND SCREW)	1			555137	
134	36380675261	BUSHING (TIE ROD END)	2				
135	36380675270	PIN	2				
136	59172030340	PLATE (LOCK)	2				
137	90171108020	BOLT	22		M8X20		
138	90302040801	WASHER,SPRING	22		8		
139	90101720080	BOLT	2				555136
	90171112080	BOLT	4		M12X80	555137	
140	90203702000	NUT	2		M20		555136
	90201701200	NUT	4		M12	555137	
141	90302042001	WASHER,SPRING	2		20		555136
	90302041201	WASHER,SPRING	4		12	555137	
142	36380875150	SHAFT	2				
143	36380875160	JOINT,BALL	2				
144	80516006010	BEARING,BALL	2				
145	36380215140	GEAR,SUN	2				
146	36380875170	SPIDER,PLANETARY GEAR	2				
147	36380215160	GEAR,PLANETARY	6				
148	36380215170	SHAFT (PLANETARY GEAR)	6				
149	34680005610	RING,THRUST	12				
150	36380215180	GEAR,INTERNAL	2				
151	36380875180	HUB,INTERNAL GEAR	2				
152	36380215200	WIRE,LOCK	4				
153	36380105720	NUT,BEARING	2				
154	36380105730	WASHER (LOCK)	2				
155	36380875190	COVER (GEAR SPIDER)	2				555136
	36380875191	COVER (GEAR SPIDER)	16			555137	
156	36380215220	O-RING	2				
157	34680005740	BEARING,ROLLER	12				
158	90101508016	BOLT	4		M8X16		
160	90171114045	BOLT	40		M14X45		
161	36380875200	O-RING	2				
163	36380675390	WASHER	40				
164	80601110480	RING,RITAINING	2		S48		
165	36380705280	PLUG	2				
166	36380215250	PLUG,MAGNET	2				
167	34680005500	SPACER (GEAR)	2				
168	36380875210	HUB,WHEEL	2				
169	36380215271	SEAL KIT (SEAL& O-RING&RETAINER)	2				
170	36381015080	DISK	2				
171	59172034000	BOLT (HUB)	24		3/4-16UNF		
172	59172035000	NUT (HUB)	24		3/4-16UNF		
173	59172071060	BEARING,ROLLER	2				
174	34680005760	BEARING,ROLLER (NTN)	2				
175	90101720055	BOLT	40		M20X55		
176	36380875220	SEAL,OIL (WHEEL HUB)	2				
177	36381015090	BRAKE,CALIPER (RIGHT.REAR)	1				
178	36381015100	BRAKE,CALIPER (LEFT.REAR)	1				

TR-200E-2-00101 3 BOOM + JIB, 2M2D
PR1620035-02 AXLE,DRIVING (REAR)

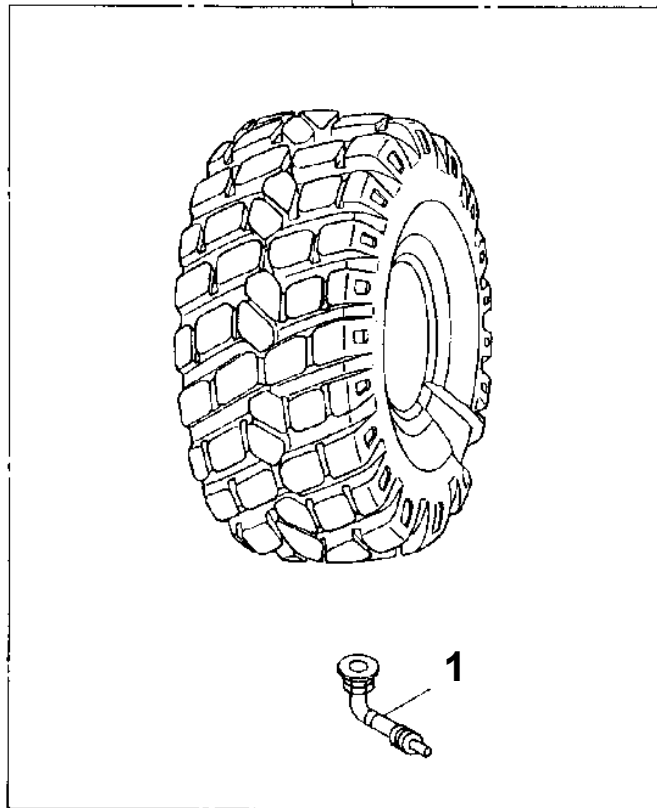


TR-200E-2-00101 3 BOOM + JIB, 2M2D

Pos No.	Parts No	Parts Name	Qty	Unit	Technical Data	Serial No (Start)	Serial N
211	36380875310	SEAL KIT	2				
212	36380336360	SEAL KIT (O-RINGX2, O-RINGX1,GREASEX1)	2				
300	36381020001	AXLE,DRIVING (REAR)	1				

TR-200E-2-00101 3 BOOM + JIB, 2M2D
PR1800004-00 TIRE (WITH VALVE)

10

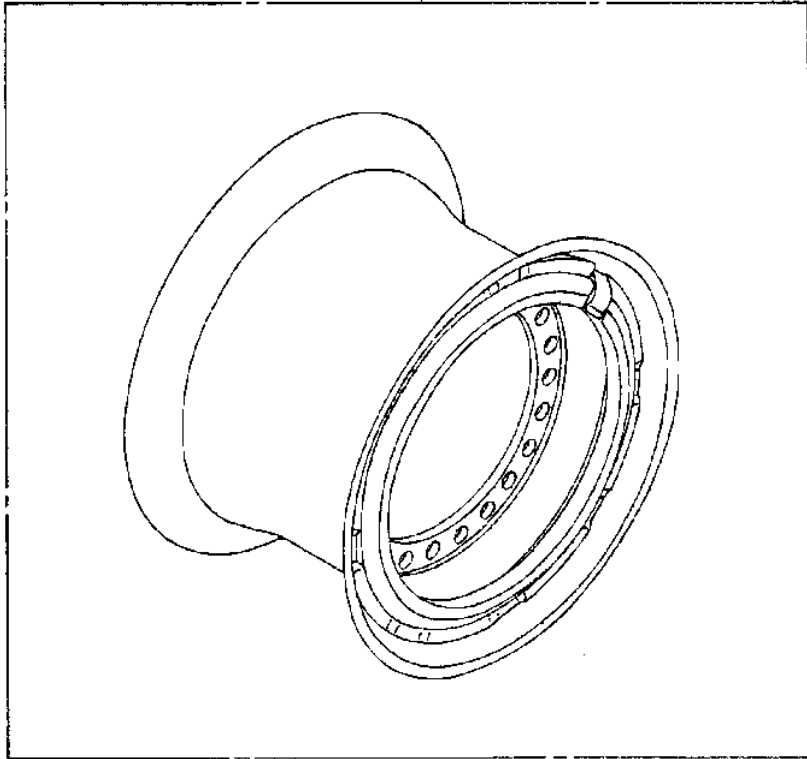


TR-200E-2-00101 3 BOOM + JIB, 2M2D
PR1820000-01 WHEEL, TIRE

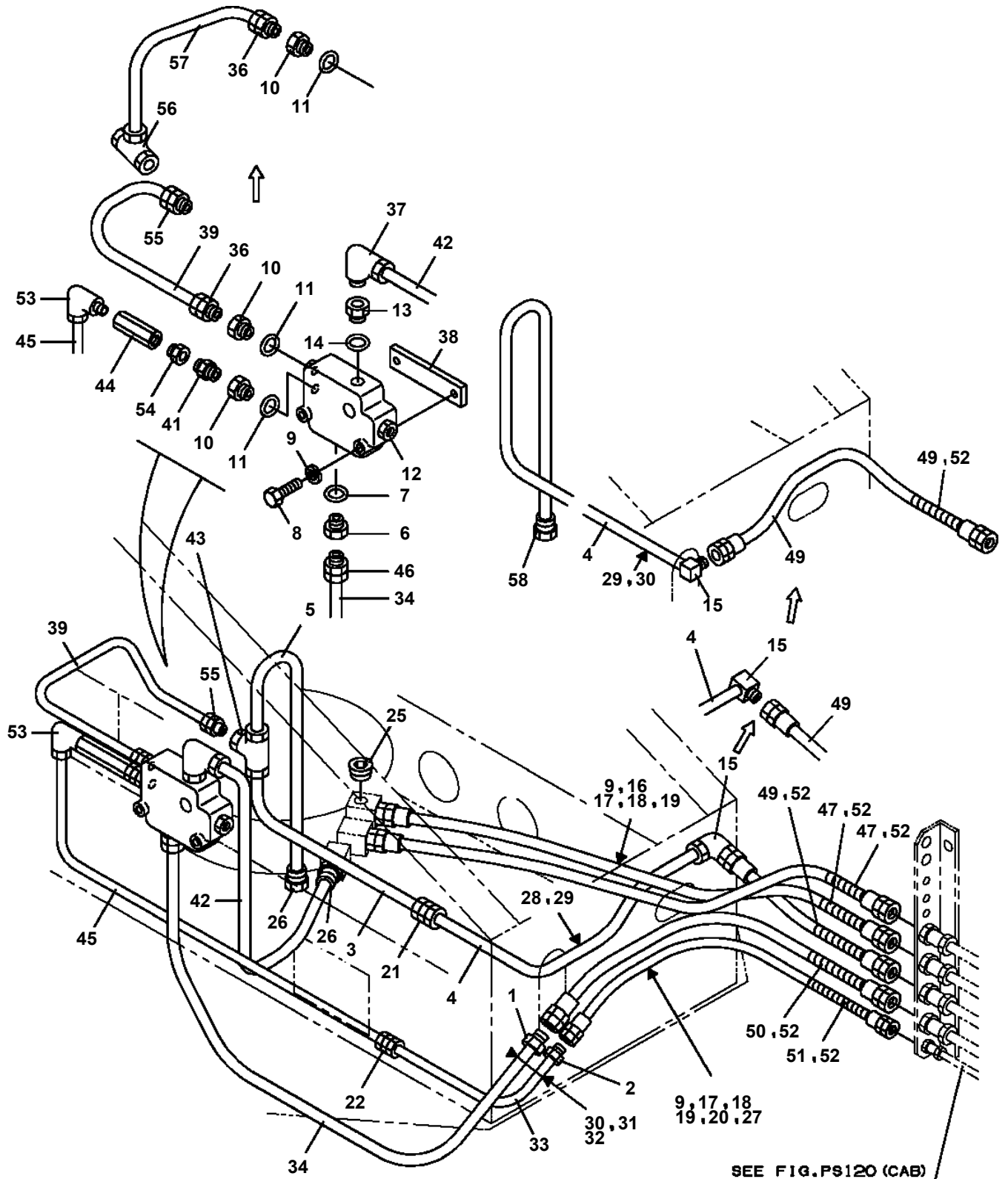
QUANTITY PART NUMBER DESCRIPTION

1 PR1820000-01 WHEEL, TIRE

1



**TR-200E-2-00101 3 BOOM + JIB, 2M2D
PS120063-02 PIPING,STEERING (UPPER)**



TR-200E-2-00101 3 BOOM + JIB, 2M2D

Pos No.	Parts No	Parts Name	Qty	Unit	Technical Data	Serial No (Start)	Serial No (End)	Remarks
1	19045106030	SEAL,DUST	1					
2	19045106040	RING,RETAINING	1					
3	19045106050	BUSHING (GRAND SEAL)	1					
4	19045106060	O-RING	1					
5	19045106070	SEAL,OIL	1					
7	19045106090	RACE (BEARING)	2					
8	19045106100	BEARING,NEEDLE	1					
10	19045106080	BEARING ASSY (NEEDLL)	1					
11	36631495010	O-RING	1				555247	
12	36631495020	O-RING	1				555247	
13	36631495030	O-RING	3				555247	
	36631495030	O-RING	2			555248		
14	36635275020	O-RING	1			555248		
15	36631495040	SEAL KIT	1				555247	
16	36635275010	SEAL KIT	1			555248		
23	36631645010	SPRING	6					
50	36631640000	ORBITROL	1					

TR-200E-2-00101 3 BOOM + JIB, 2M2D

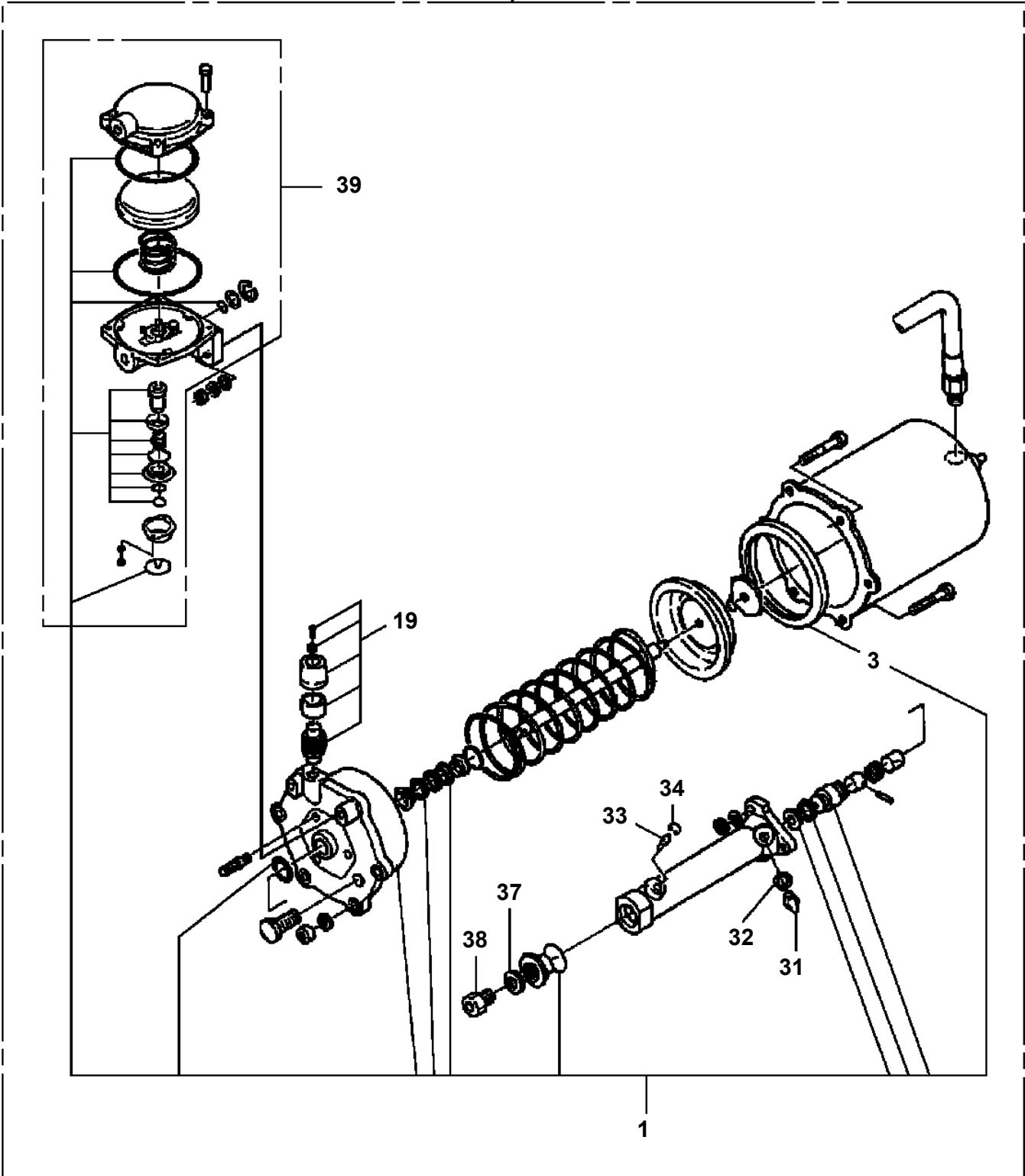
Pos No.	Parts No	Parts Name	Qty	Unit	Technical Data	Serial No (Start)	Serial No (End)
3	37001600340	NUT	1				
4	36060143000	PISTON	1				555103
	36061136000	PISTON	1			555104	
5	91684007501	PACKING	2				555103
	91350207500	BEARING,PLAIN (WITH PACKINGX2)	1			555104	
6	91002804000	O-RING	1		1B P40		
7	36061453000	ROD	1				
8	36060144000	COVER,ROD	1				555103
	36061134000	COVER,ROD	1			555104	
9	91002806500	O-RING	1		1B P65		
10	91251100400	RING,DAMPER	1				
11	91694004000	PACKING	1				
12	91410204001	RING,BACKUP	1				
13	91660004000	SEAL,DUST	1				555103
	91660004001	SEAL,DUST	1			555104	
14	80622000400	RING,RITAINING	1		SP40		555103
15	16616016000	PLATE	1				555262
16	91801301000	CLIP	1				
17	36061133000	BOOT	1				
18	91801300650	CLIP	1		D=60-65		
19	80136350071	PIN,SPLIT	1				
20	36061155000	CYLINDER	1				
21	91301104000	BEARING,PLAIN	1			555104	
31	37000400990	BEARING,PLAIN	2				
41	37000402270	BEARING,PLAIN	2				
50	36061460001	CYLINDER,STEERING	1				
60	36061459901	PACKING SET	1		40X75		555103
	36061929900	PACKING SET	1		40X75	555104	

TR-200E-2-00101 3 BOOM + JIB, 2M2D

Pos No.	Parts No	Parts Name	Qty	Unit	Technical Data	Serial No (Start)	Serial N
77	36870020000	SWITCH,PRESSURE (AIR/STOP LAMP)	2				
78	59451300020	SWITCH,PRESSURE	2				555105
	36720040000	SWITCH,PRESSURE (LOW AIR)	2			555106	
79	34920860400	JOINT	1				
82	34920728150	PIPE ASSY	1				
86	37000915040	JOINT	1		T,R1/4-R1/4-R1/4		
87	34920728160	PIPE ASSY	1				
88	36060530000	BOOSTER	2				
89	37000901290	FITTING,ELBOW	2		L,R1/4-6.35		
90	37000904240	FITTING,ELBOW	2				
91	37000903930	FITTING	3		S,R1/4-M16		
92	34920728170	PIPE ASSY	1				
93	34920720330	HOSE	1				
94	91801300150	CLIP	4		D=13-15		
95	36100220000	TANK,OIL (INCLUDE INDICATOR ASSY)	2				
96	34920720340	HOSE	1				
98	37002421080	HOSE,BRAKE	2		L=500		555136
	37002437540	HOSE,BRAKE	2		L=505	555137	
99	34920728190	PIPE ASSY	1				
100	42340011070	JOINT	1		T,PT1/4-PT1/4-PT1/4		
101	37002403910	HOSE,AIR	1		L=600		
102	90209201000	NUT	6		M10		
103	90101208016	BOLT	2		M8X16		
104	37000502970	PLATE	1				
105	37000711170	CLAMP ASSY	1		12X3		
106	82100001412	TUBE,SPIRAL	1	M	SE-12BK		
107	91800000006	FASTENER	1				
108	37002429590	HOSE,BRAKE	1		L=510		
109	34920611500	SUPPORT	1				
110	37000916820	JOINT	2				555136
	37000921410	JOINT	2			555137	
111	34920611600	SUPPORT	1				
112	37002431020	HOSE,BRAKE	1		L=650		555136
	37002437500	HOSE,BRAKE	1		L=650	555137	
113	37002431030	HOSE,BRAKE	1		L=670		555136
	37002437520	HOSE,BRAKE	1		L=670	555137	
114	37001600810	NUT	2		PF1/4	555137	
115	90304111401	WASHER,TOOTH	2		14	555137	
121	36700015010	DIAPHRAGM (NO.16A)	1				
131	36100225010	INDICATOR ASSY	2				
141	34920861010	PLATE	1				
142	37000530810	PLATE	2				
143	32760160090	PLATE	1				
144	37000534250	PLATE	1				
151	34780352100	PLATE	2				
152	34780352010	PLATE	2				
153	34780352200	LINK	1				

TR-200E-2-00101 3 BOOM + JIB, 2M2D
PT1420002-02 BOOSTER

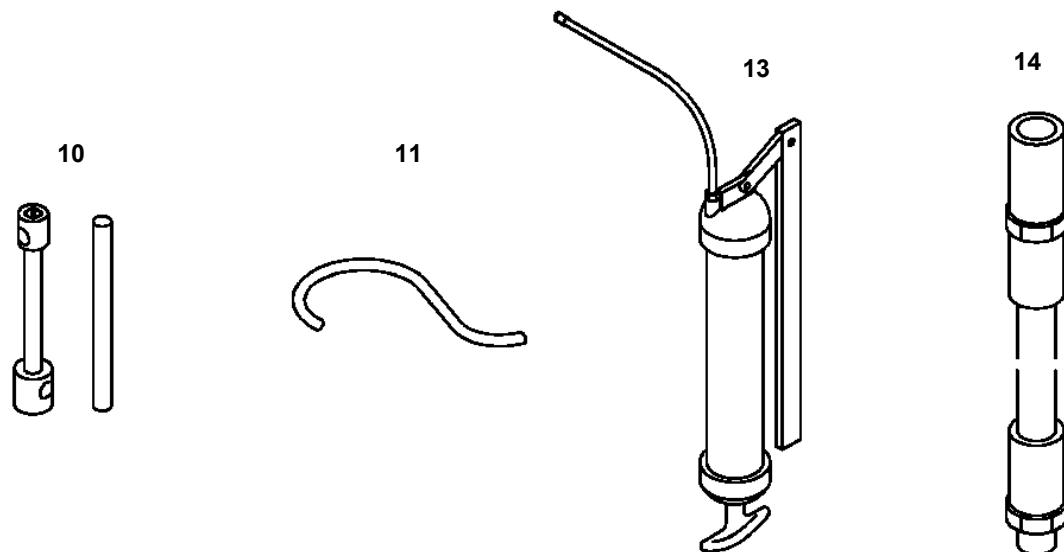
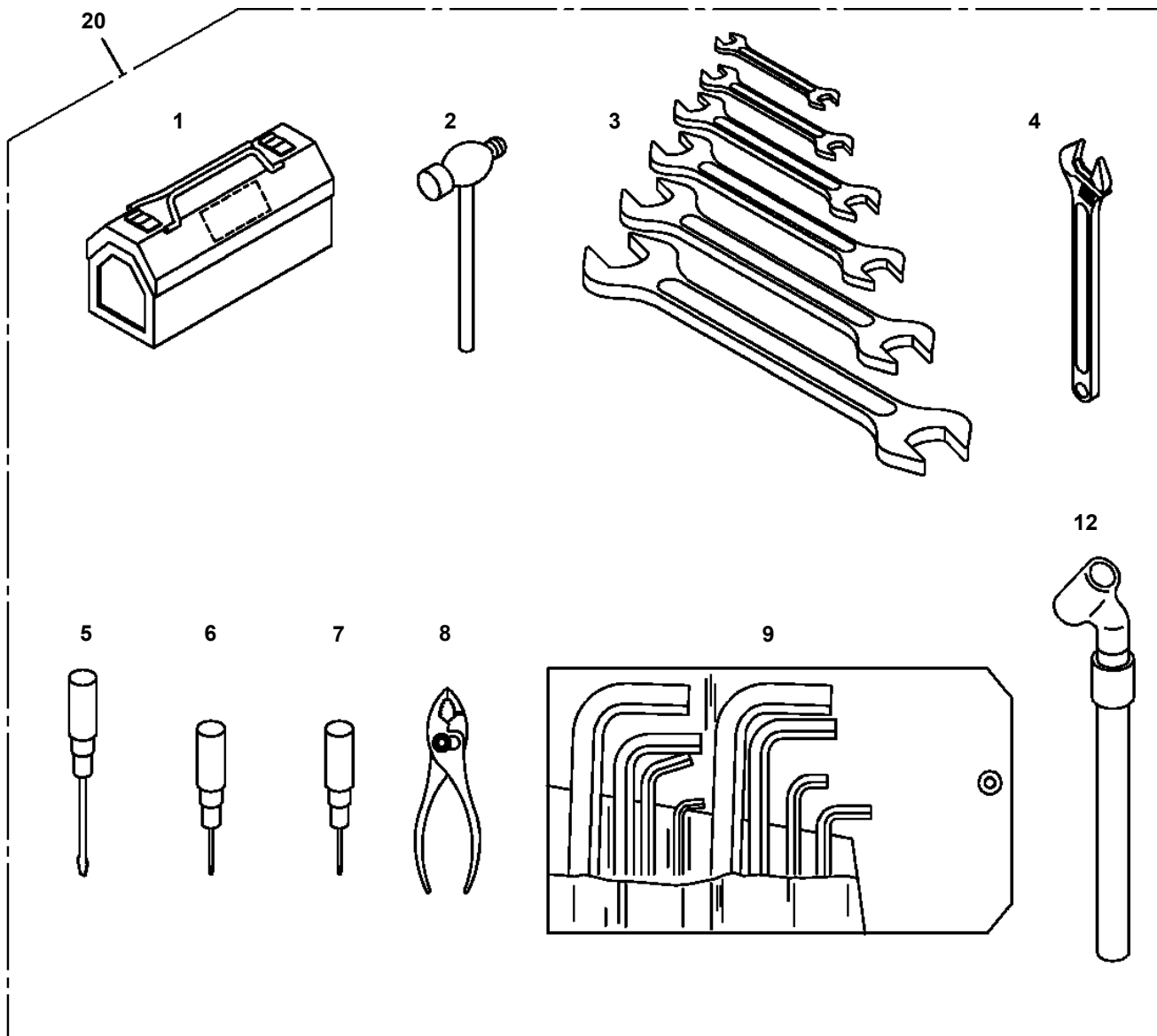
50



TR-200E-2-00101 3 BOOM + JIB, 2M2D

Pos No.	Parts No	Parts Name	Qty	Unit	Technical Data	Serial No (Start)	Serial No (End)	Remarks
1	36061771000	CYLINDER ASSY	1					
3	36060383000	PLATE	1					
5	91302210000	BEARING,PLAIN	2					
6	91684010000	PACKING	2					
7	36061472000	PISTON	1					
8	91431208502	RING,BACKUP	1					
9	91002805000	O-RING	1		1B P50			
10	91411005000	RING,BACKUP	1					
11	91002809000	O-RING	1		1B P90			
12	91411009000	RING,BACKUP	1		P90			
13	91251100500	RING,DAMPER	1					
14	91694005000	PACKING	1					
15	91410205001	RING,BACKUP	1					
16	36060943000	COVER,ROD	1					
17	91660005000	SEAL,DUST	1					
18	80622000500	RING,RITAINING	1		SP50			
19	36061474000	ROD	1				555171	
	36060944000	ROD	1			555172		
20	80136363063	PIN,SPLIT	1		6.3X63			
31	80530000064	BEARING,SPHERICAL	1					
32	59152201000	STOPPER	2					
40	36061779900	PACKING SET	1		50X100			
50	36061770000	CYLINDER,SPRING LOCK	1					

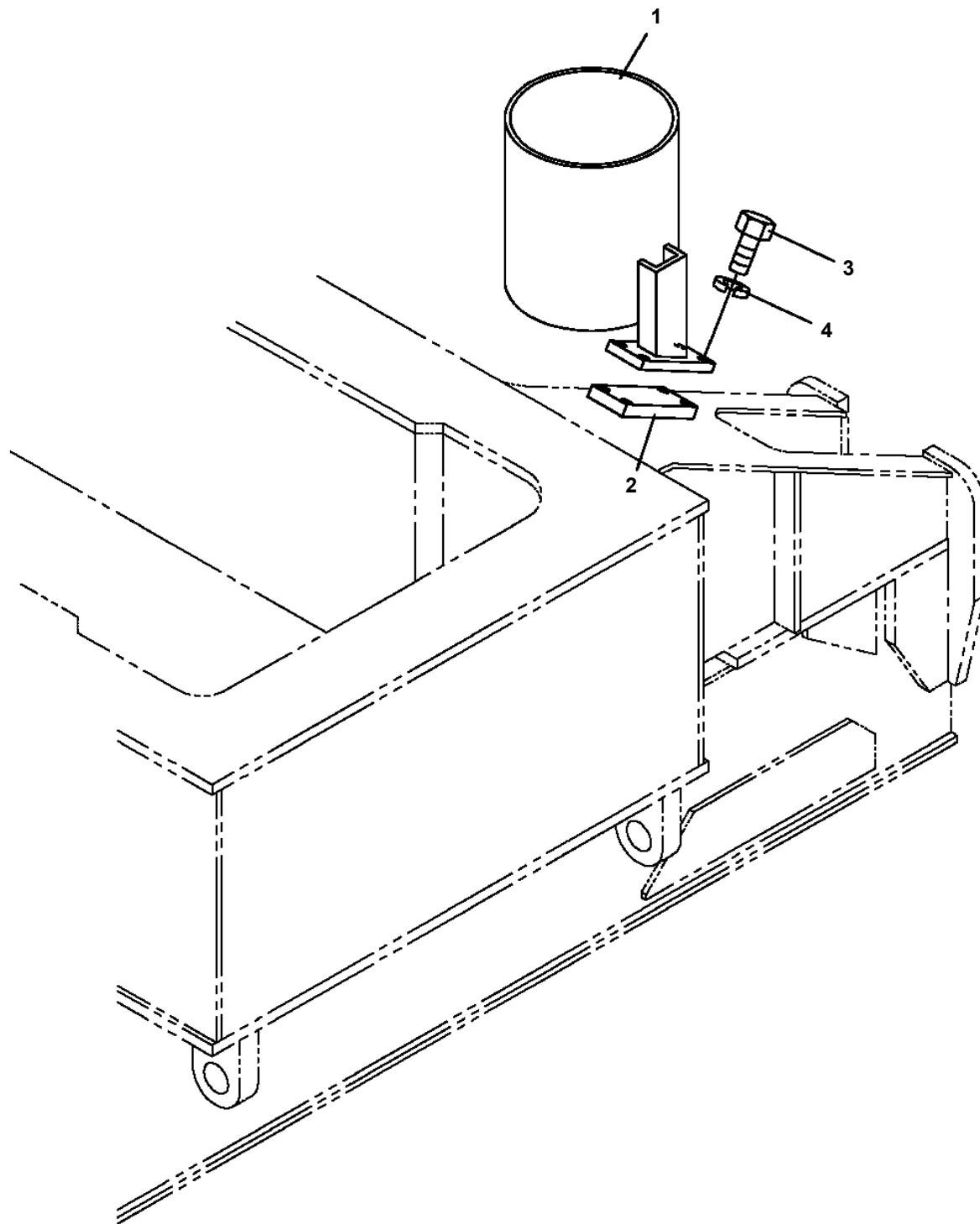
TR-200E-2-00101 3 BOOM + JIB, 2M2D
PW1030043-01 TOOLS



TR-200E-2-00101 3 BOOM + JIB, 2M2D

Pos No.	Parts No	Parts Name	Qty	Unit	Technical Data	Serial No (Start)	Serial No (End)	Remarks	Pa
1	90101208020	BOLT	14		M8X20				
2	90303070801	WASHER,PLAIN	43		8				
3	90302040801	WASHER,SPRING	87		8				
4	90201200800	NUT	18		M8				
5	34690874310	SUPPORT	1						
6	34690983400	SUPPORT	2						
7	34690983500	SUPPORT	2						
8	37000505950	PLATE	6		T=3.2				
9	90101210018	BOLT	17		M10X18				
10	90302041001	WASHER,SPRING	70		10				
11	90303071001	WASHER,PLAIN	40		10				
12	34690981100	FENDER	2						
13	34690003500	SUPPORT	1						
14	37000507800	PLATE	1						
15	34690981201	FENDER	1						
16	34690981300	COVER	1						
17	90101208016	BOLT	48		M8X16				
18	34690983800	FENDER	1						
19	34690983900	FENDER	1						
20	34690871801	SUPPORT	4						
21	34690871901	SUPPORT	4						
22	34690981700	SUPPORT	1						
23	34690988041	COVER ASSY	1						
26	80172305012	SCREW,MACHINE	12		M5X12				
29	34690872200	SUPPORT	1						
30	34690984100	COVER	1						
31	34690982000	SUPPORT	1						
32	37000511400	SUPPORT	8						
33	90101210020	BOLT	25		M10X20				
34	34690952500	SUPPORT	1						
36	34690988071	COVER ASSY	1						
37	34690982100	COVER	1						
38	34690872800	COVER	1						
39	34690988020	BUMPER ASSY	1						
40	34690988031	COVER ASSY	1						
41	90101212030	BOLT	10		M12X30				
42	90302041201	WASHER,SPRING	28		12				
43	90303071201	WASHER,PLAIN	28		12				
44	90201201200	NUT	2		M12				
45	90101210025	BOLT	12		M10X25				
46	90201201000	NUT	36		M10				
47	34690953600	SUPPORT	1						
48	34690984700	FENDER	1						
49	34690873200	SUPPORT	1						
51	34690988050	STEP ASSY	1						
52	90101208012	BOLT	18		M8X12				
54	90101210016	BOLT	5		M10X16				
55	34690982700	FENDER	1						
56	37000505660	PLATE	2						
57	34690982800	FENDER	1						
58	37000510950	PLATE	2						
59	90101210045	BOLT	1		M10X45				
60	90103210025	BOLT	1		M10X25				
62	34690874330	SUPPORT	1						
63	34690000200	SUPPORT	2						
64	12434402040	SPRING	2						
65	59424529000	PLATE	1						
66	34690873900	SUPPORT	2						
67	34690874000	SUPPORT	8						
68	90101212020	BOLT	16		M12X20				
69	34690982900	COVER	1						
70	37000525300	PLATE	4						
74	34690983100	SUPPORT	1						

TR-200E-2-00101 3 BOOM + JIB, 2M2D
PX1180111-00 MOUNT,HOOK (AUX.)



TR-200E-2-00101 3 BOOM + JIB, 2M2D

Pos No.	Parts No	Parts Name	Qty	Unit	Technical Data	Serial No (Start)	Serial No (End)	Remarks	P
1	34474971010	PLATE	1						
2	34474971100	FITTING,FLANGE	1						
3	90101208020	BOLT	2		M8X20				
4	90302040801	WASHER,SPRING	2		8				
5	80430450650	JOINT	4						
6	37002422470	HOSE	2		L=550				
7	80400160111	FITTING,ELBOW	2						
8	80315060060	JOINT,BUSHING	1						
9	34341434750	SUPPORT	1						
10	90101210020	BOLT	7		M10X20				
11	90302041001	WASHER,SPRING	7		10				
12	(*****)	COOLER,OIL (MOUNT)	1						00
13	36641340000	VALVE,SOLENOID	1						00
14	80430452050	JOINT	2		YL512				
15	37000705930	CLAMP ASSY	3		D=12				
16	80400160137	JOINT	2						
17	91002803800	O-RING	2		1B P38				
18	89640101000	HOSE	1		880-NFK,1M				
19	37002405810	HOSE	1		L=630				
20	37000711090	CLAMP ASSY	1		18X2				
21	37000511350	PLATE	1						
22	81408000241	PIPE,STEEL	1	M	18X1.9T				
23	80306010160	NUT	2		KKN18-000N		555279		
	80306010165	NUT	2		KKN018-000E	555280			
24	80309010160	SLEEVE	2				555279		
	80309010165	SLEEVE	2			555280			
25	81408000241	PIPE,STEEL	1	M	18X1.9T				
26	91810130240	FASTENER	3						
27	37002436120	HOSE	1		L=800				
28	34341434800	SUPPORT	1						

CLICK HERE TO **DOWNLOAD** THE COMPLETE MANUAL

- Thank you very much for reading the preview of the manual.
- You can download the complete manual from: www.heydownloads.com by clicking the link below



- Please note: If there is no response to CLICKING the link, please download this PDF first and then click on it.

CLICK HERE TO **DOWNLOAD** THE COMPLETE MANUAL