

TR-100M-1-00105 6 BOOM + JIB,X,10T

**PB1000330-02 HYDRAULIC PRESSURE GENERATING SYSTEM
PC1000259-02 OUTRIGGER SYSTEM
PD1000310-01 SWING SYSTEM
PE1000310-01 ELEVATING SYSTEM
PF1000290-04 WINCH SYSTEM
PG1000286-02 TELESCOPING SYSTEM
PH1000271-03 SAFETY DEVICES
PK1000321-01 FRAME
PL1000321-01 CONTROL DEVICES
PM1000032-01 LUBRICATION DEVICES
PN1000242-02 ELECTRIC EQUIPMENT
PO1000114-01 INDICATION PLATES
PQ1000099-02 DRIVING POWER GENERATING SYSTEM
PR1000057-01 DRIVING POWER TRANSMISSION SYSTEM
PS1000079-03 STEERING SYSTEM
PT1000065-02 BRAKE SYSTEM
PU1000057-02 SUSPENSION
PW1000097-02 ACCESSORIES & TOOLS
PX1000332-02 MOUNTING PARTS
PY1000283-02 OPTIONS
ASSEMBLY**

CLICK HERE TO **DOWNLOAD** THE COMPLETE MANUAL

- Thank you very much for reading the preview of the manual.
- You can download the complete manual from: www.heydownloads.com by clicking the link below



- Please note: If there is no response to CLICKING the link, please download this PDF first and then click on it.

CLICK HERE TO **DOWNLOAD** THE COMPLETE MANUAL

TR-100M-1-00105 6 BOOM + JIB,X,10T

Pos No.	Parts No	Parts Name	Qty	Unit	Technical Data	Serial No (Start)	Serial No (End)
1	36093920000	HOOK (MAIN)	1				FC1563
	36094590000	HOOK (MAIN)	1			FC1564	
2	36092260000	HOOK (AUXILIARY)	1				
3	37001804310	ROPE,WIRE	1				
4	37001805460	ROPE,WIRE	1				
5	(*****)	SOCKET,ROPE	1				
6	(*****)	SOCKET,ROPE	1				
7	(*****)	OPERATION SYSTEM, WINCH BRAKE	1				
8	(*****)	PIPING,WINCH	1				
9	(*****)	PIPING,WINCH BRAKE	1				
10	(*****)	INDICATOR,DRUM (OPTION)	1				
11	(*****)	MOUNT,WINCH	1				
101	36072320000	WINCH (MAIN)	1				
102	36072330000	WINCH (AUX.)	1				
103	36310230000	CLUTCH,WINCH	2				
104	34311123000	BAND,WINCH BRAKE	2				
105	36645780000	VALVE,CLUTCH (MORIKAWA)	1				FC1170
	36647800000	VALVE,CLUTCH (MORIKAWA)	1			FC1171	
	36647810000	VALVE,CLUTCH (MURAKAMI)	1			FC1171	
106	34478041000	LAMP (INDICATOR,DRUM)(FAMOTH)	1				
	34478042100	LAMP (INDICATOR,DRUM)(SIC)	1				
107	36662280000	MOTOR,HYDRAULIC	2				
108	36061550000	CYLINDER,MASTER	2				
109	36100250000	RESERVOIR,OIL	1				
110	36645830000	VALVE,SOLENOID	2				
111	36603990000	VALVE,COUNTERBALANCE	2				

TR-100M-1-00105 6 BOOM + JIB,X,10T

Pos No.	Parts No	Parts Name	Qty	Unit	Technical Data	Serial No (Start)	Serial No (End)	Rem
1	(*****)	PARTS ASSY,GREASE (UPPER)	1					
2	(*****)	CENTRAL LUBRICATION SYSTEM	1					

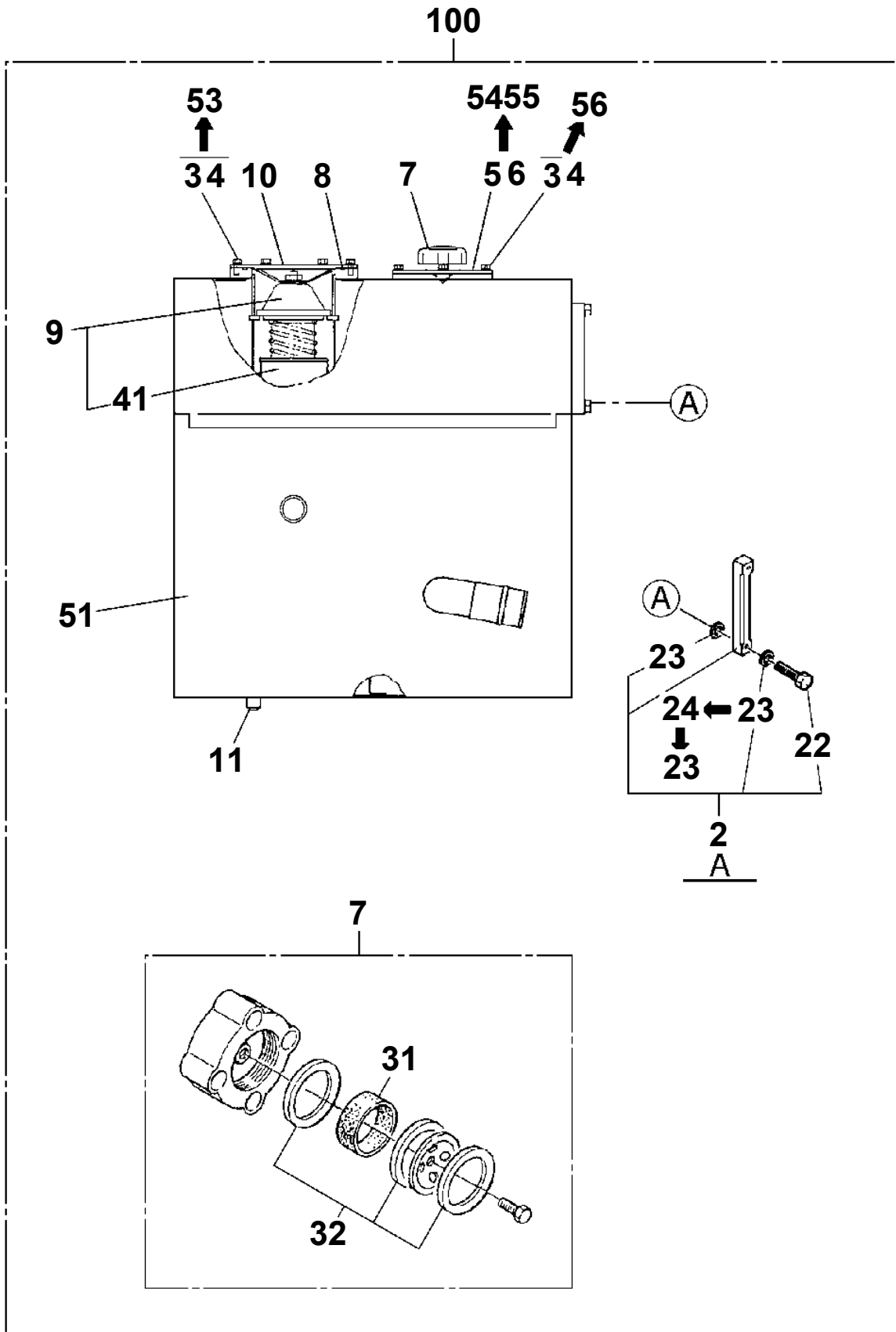
TR-100M-1-00105 6 BOOM + JIB,X,10T

Pos No.	Parts No	Parts Name	Qty	Unit	Technical Data	Serial No (Start)	Serial No (End)
1	(*****)	PIPING,STEERING (CAB)	1				
2	(*****)	PIPING,STEERING (UPPER)	1				
3	(*****)	PIPING,STEERING (LOWER)	1				
4	(*****)	CYLINDER,STEERING INSTALLATION	1				
101	(*****)	OPE.ASSY,STEERING (WHEEL)	1				
102	34720911100	WHEEL,STEERING	1				
103	34721182300	SHAFT,STEERING	1				
104	36636020000	ORBITROL	1				
105	36062470000	CYLINDER,STEERING	4				
106	36611320000	VALVE,PRIORITY	1				
108	36645920000	VALVE,SOLENOID	1				
109	36645930000	VALVE,SOLENOID	1				
110	36645940000	VALVE,SOLENOID	1				

TR-100M-1-00105 6 BOOM + JIB,X,10T

Pos No.	Parts No	Parts Name	Qty	Unit	Technical Data	Serial No (Start)	Se
1	(*****)	SINGLE TOP	1				
2	(*****)	LAMP (AML)	1				
3	(*****)	LAMP (SWING WARNING)	1				
4	(*****)	RADIO INSTALLATION	1				
5	(*****)	INFLATOR,AIR	1				
6	(*****)	REFLECTOR	1				
7	(*****)	MOUNT,NON-SLIP PLATE	1				
8	(*****)	AIR CONDITIONER SYSTEM	1				
9	(*****)	EVAPORATOR INSTALLATION,AIR CONDITIONER	1				
10	(*****)	PIPING,AIR CONDITIONER	1				
11	36320430000	AIR CONDITIONER	1				
12	34477670000	TABLE,LUNCH	1				
101	34477871000	LAMP,AML	1				
102	36320412010	EVAPORATOR	1				
103	36320392021	COMPRESSOR ASSY	1				
104	36320392081	PUMP,WATER	1				
105	36662210000	MOTOR,HYDRAULIC (AIR CONDITIONER)	1				
106	36645900000	VALVE,SOLENOID	1				

TR-100M-1-00105 6 BOOM + JIB,X,10T
PB1130154-04 TANK,OIL



TR-100M-1-00105 6 BOOM + JIB,X,10T

Pos No.	Parts No	Parts Name	Qty	Unit	Technical Data	Serial No (Start)	Serial No (End)	Remarks	Pages
1	80430620400	JOINT	10						
2	34320963200	JOINT	1						
3	37000922250	JOINT (ORIFICE)	3		0.8				
4	91810132530	FASTENER	4						
5	37002450720	HOSE	1		L=1180				
6	37002448610	HOSE	2		L=1250				
7	37002448320	HOSE	1		L=1380				
8	37002444900	HOSE	1		L=1430				
9	80400160127	JOINT	2						
10	91002801100	O-RING	2		1B P11				
11	37002455750	HOSE	1		L=810				
12	37002448590	HOSE	1		L=750				
13	37002456130	HOSE	2		L=875				
14	37002447160	HOSE	1		L=950				
15	34320902800	CLAMP	1						
16	99172108016	BOLT,TAPPING	2		M8X16				
18	37002448570	HOSE	1		L=620				
19	37002448600	HOSE	1		L=1000				
31	91002801100	O-RING	10		1B P11				

TR-100M-1-00105 6 BOOM + JIB,X,10T

Pos No.	Parts No	Parts Name	Qty	Unit	Technical Data	Serial No (Start)	Serial No (End)	Rem
1	34630430100	BODY	1					
2	34630430200	BODY	1					
3	34630430250	PLATE	2					
4	34630430300	CORE	1					
5	34630430400	SUPPORT	1					
6	34630430600	SUPPORT	1					
7	34630430700	CORE	1					
8	34630430800	FITTING,FLANGE	1					
9	82100002012	CLAMP	1		WR18			
10	34630431000	RING,SLIP	1					
11	37000921650	JOINT	1					
12	80430620800	JOINT	3					
13	80430620600	JOINT (WITH O-RING)	3		L,G3/8-G3/8			
14	80400160127	JOINT	3					
15	80430620400	JOINT	1					
16	90131512035	BOLT,HEXAGON SOCKET	7		M12X35			
17	90101206050	BOLT	1		M6X50			
18	91810130240	FASTENER	1					
19	90101206012	BOLT	4		M6X12			
20	90302040801	WASHER,SPRING	4		8			
21	90131508016	BOLT,HEXAGON SOCKET	6		M8X16			
22	90101208018	BOLT	4		M8X18			
23	90101512025	BOLT	2		M12X25			
24	82458102000	NIPPLE,GREASE	3		B-PT1/8			
25	37000402880	BEARING,PLAIN	1					
26	37000403160	BEARING,PLAIN	1					
27	37000403170	BEARING,PLAIN	1					
28	37000403180	BEARING,PLAIN	2					
29	91624520000	PACKING	2					
30	91150220000	SEAL,RING	5				FC1419	
	91150220000	SEAL,RING	4			FC1420		
31	91626216000	PACKING	2				FC1433	
	91627216000	PACKING	2			FC1434		
32	91150416000	SEAL,RING	1					
33	91151110500	SEAL,RING	5					
34	82401800100	PLUG (FOR M10)	4					
35	91002802800	O-RING	1		1B P28			
36	91002802200	O-RING	6		1B P22			
37	91002802000	O-RING	2		1B P20			
38	91042201500	O-RING	2					
39	91001101000	O-RING	4		1A P10			
40	90302040601	WASHER,SPRING	3		6			
41	90101206016	BOLT	1		M6X16			
42	82100002014	CLAMP	1		WR20			
43	37000505280	PLATE	1					
44	90201200600	NUT	1		M6			
45	91150520000	SEAL,RING	2				FC1419	
	91150520000	SEAL,RING	3			FC1420		
62	80316090010	PLUG	4		KKT PT1/16		FC1054	
63	80316090020	PLUG	6		KKT PT1/8			
71	82100002264	CONNECTOR	1					
72	82100002258	TERMINAL	6					
73	82100002269	CONNECTOR	1					
74	82100002256	TERMINAL	16					
75	82100002260	CONNECTOR	1					
76	82100002266	CONNECTOR	1					
77	82100002265	CONNECTOR (5POLES,MALE)	1					
78	82100002267	CONNECTOR	1					
79	82111102020	TERMINAL	5					
80	82121103020	PLUG	5					
81	82111102010	TERMINAL	1					
82	82121103010	PLUG	1					
83	82114103030	CONNECTOR	1					

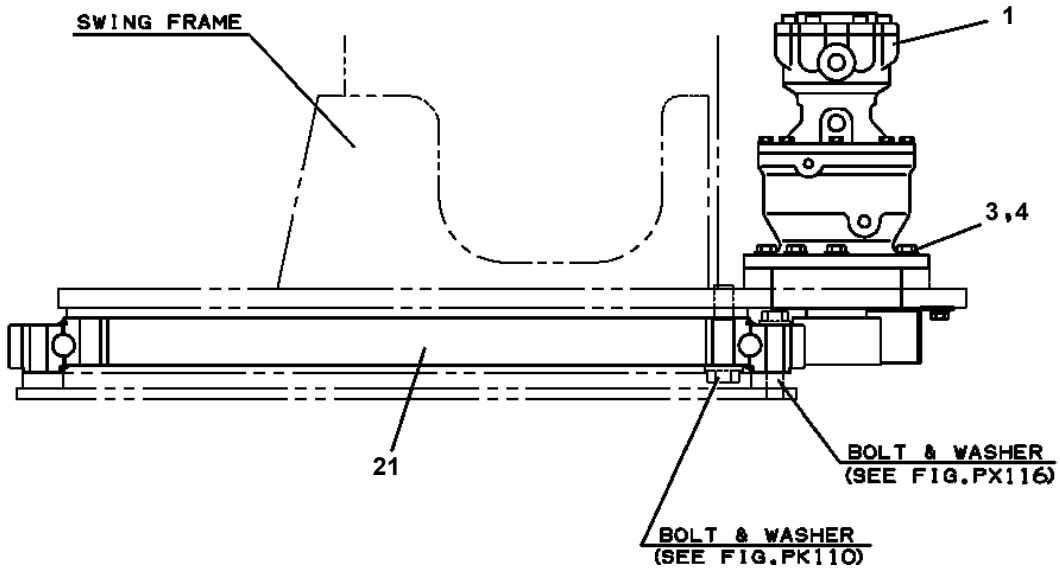
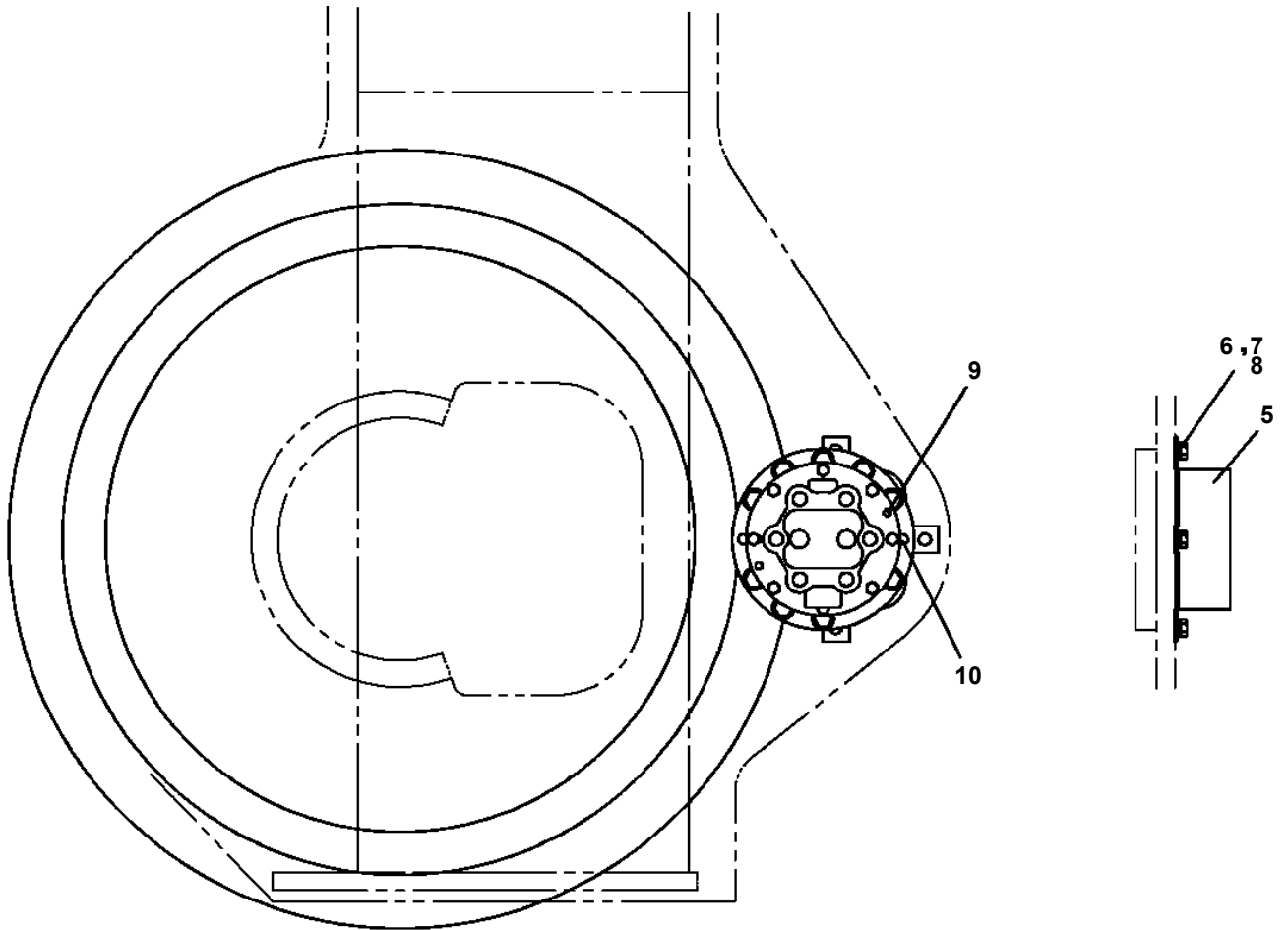
TR-100M-1-00105 6 BOOM + JIB,X,10T

Pos No.	Parts No	Parts Name	Qty	Unit	Technical Data	Serial No (Start)	Serial No (End)
1	37010000020	BATTERY (HYUNDAI ENERCELL/100E41R)	1				

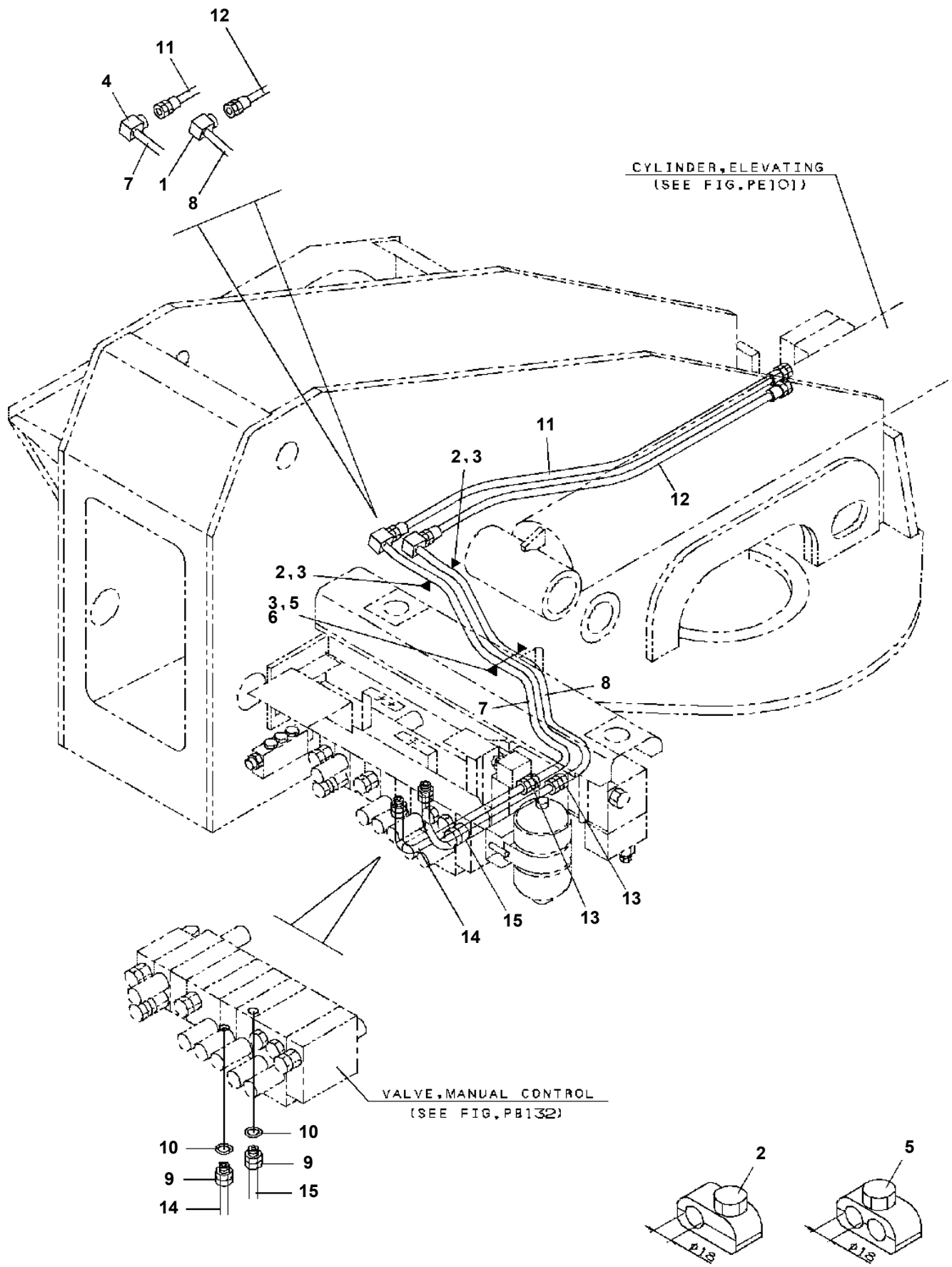
TR-100M-1-00105 6 BOOM + JIB,X,10T

Pos No.	Parts No	Parts Name	Qty	Unit	Technical Data	Serial No (Start)	Serial
2	34731102000	SWITCH ASSY (OUTRIGGER OPERATION BOX)	1				
3	90101208020	BOLT	3		M8X20		
4	90302040801	WASHER,SPRING	3		8		
5	90303070601	WASHER,PLAIN	3		6		
6	90302040601	WASHER,SPRING	3		6		
7	90201200600	NUT	3		M6		
8	82100002006	CLAMP	2		WR10		
9	82100002002	CLAMP	1		WR6		

TR-100M-1-00105 6 BOOM + JIB,X,10T
PD1020013-01 SWING UNIT

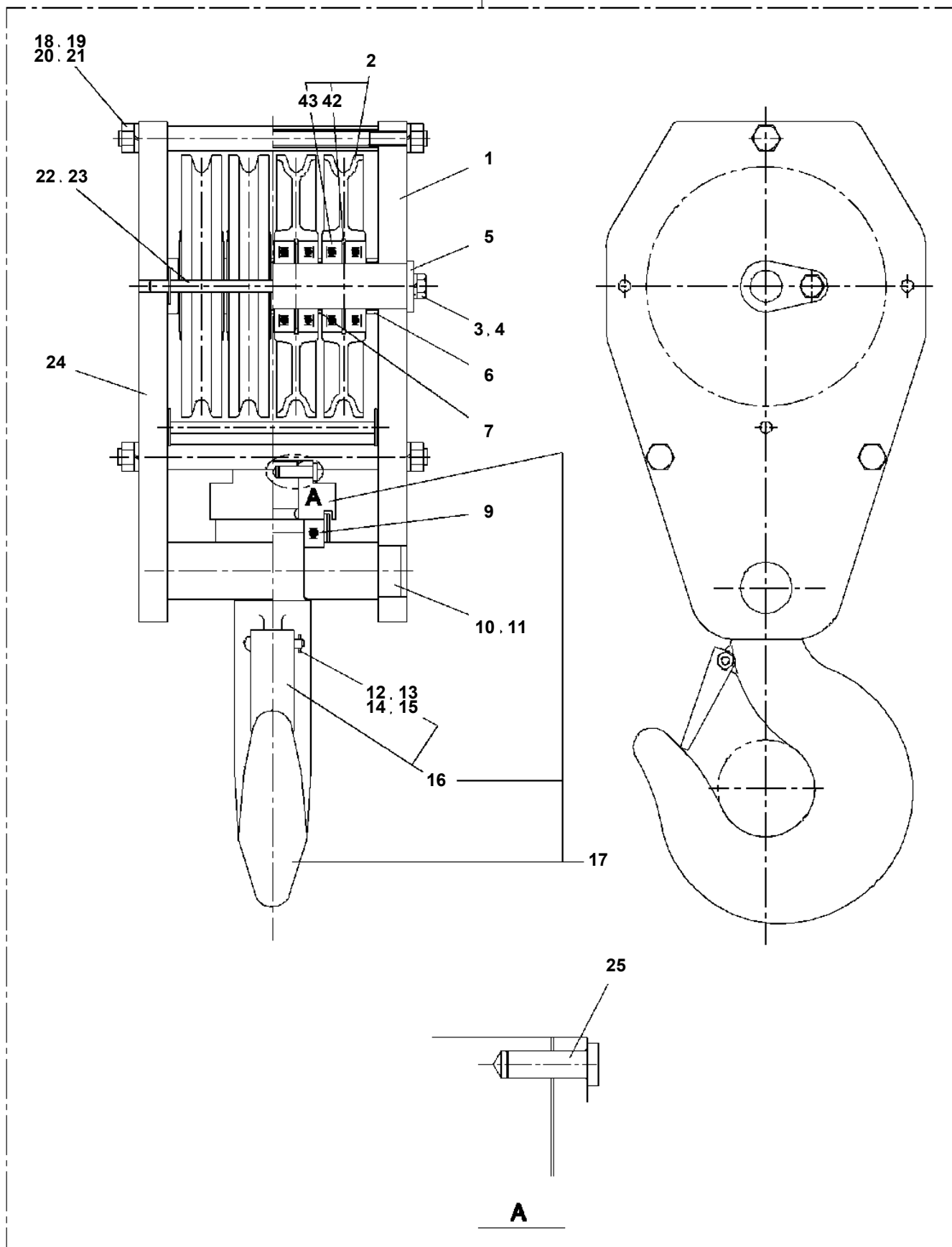


TR-100M-1-00105 6 BOOM + JIB,X,10T
PE1200086-01 PIPING,ELEVATING

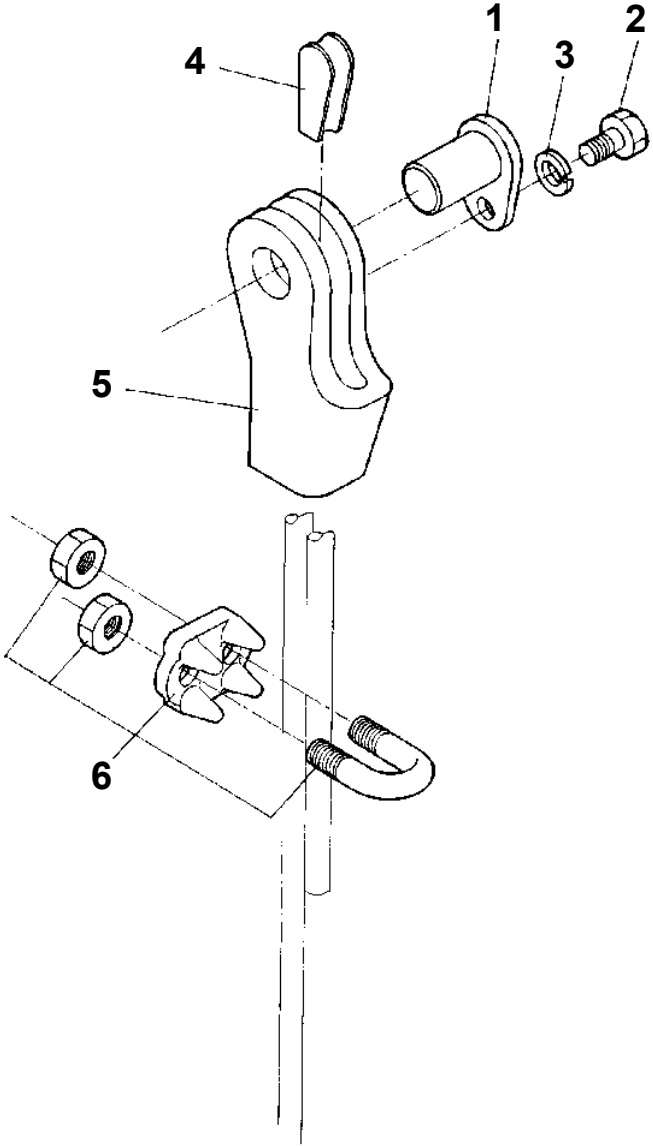


TR-100M-1-00105 6 BOOM + JIB,X,10T
PF1050245-00 HOOK (MAIN)

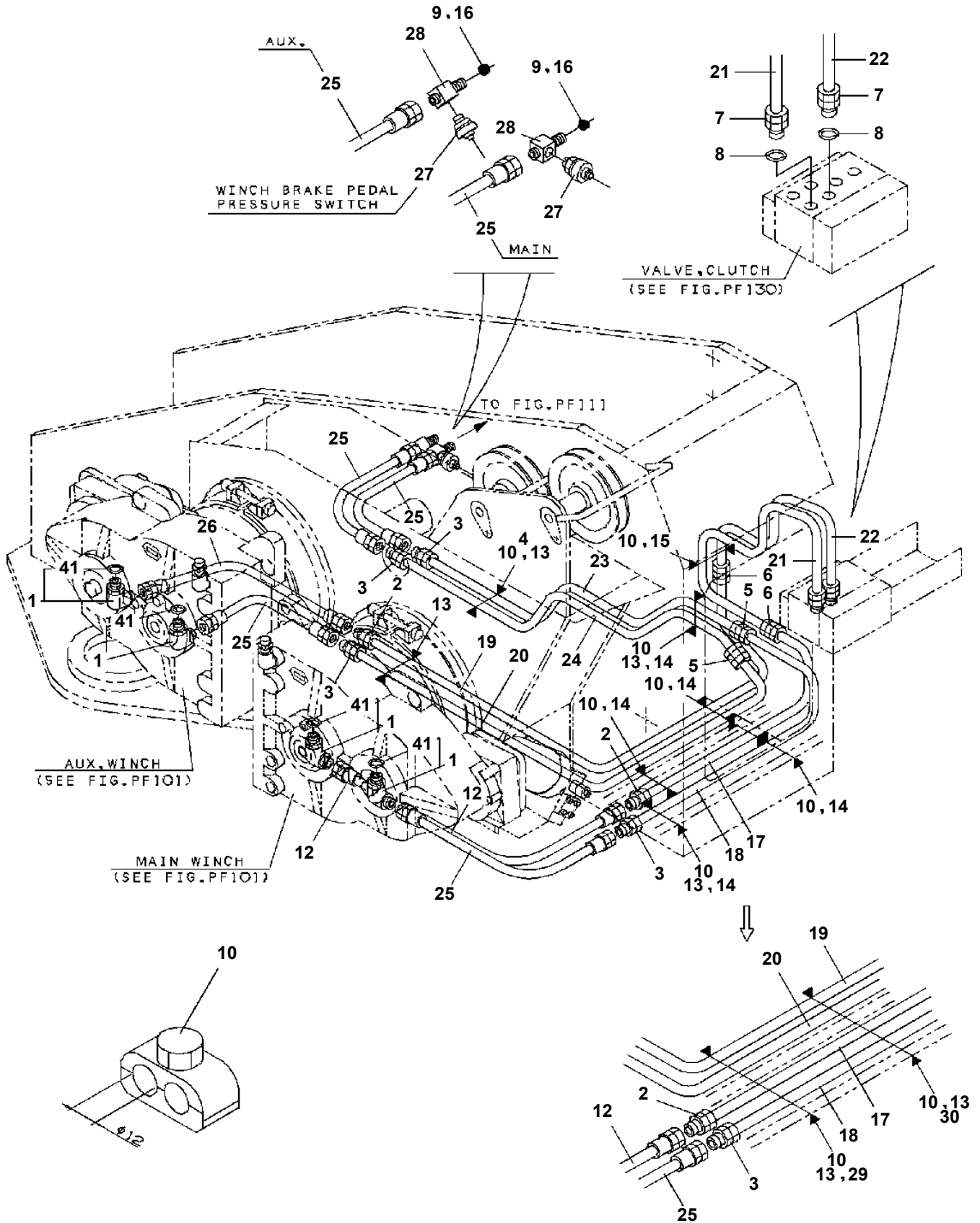
100



TR-100M-1-00105 6 BOOM + JIB,X,10T
PF1090022-01 SOCKET,ROPE



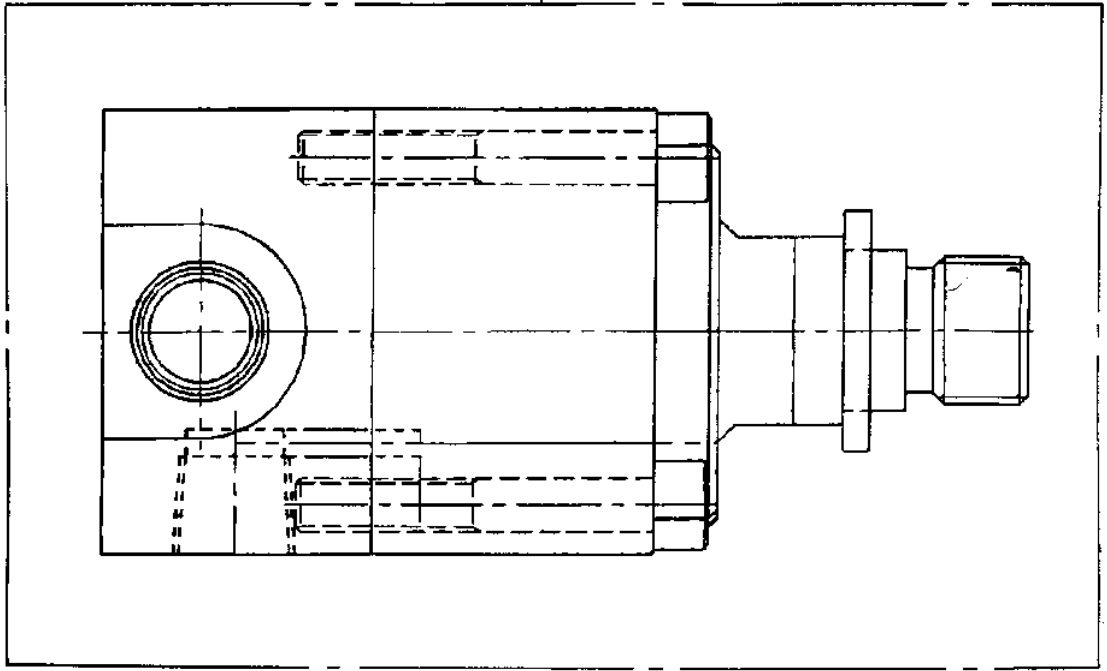
TR-100M-1-00105 6 BOOM + JIB,X,10T
PF1220086-01 PIPING,WINCH BRAKE



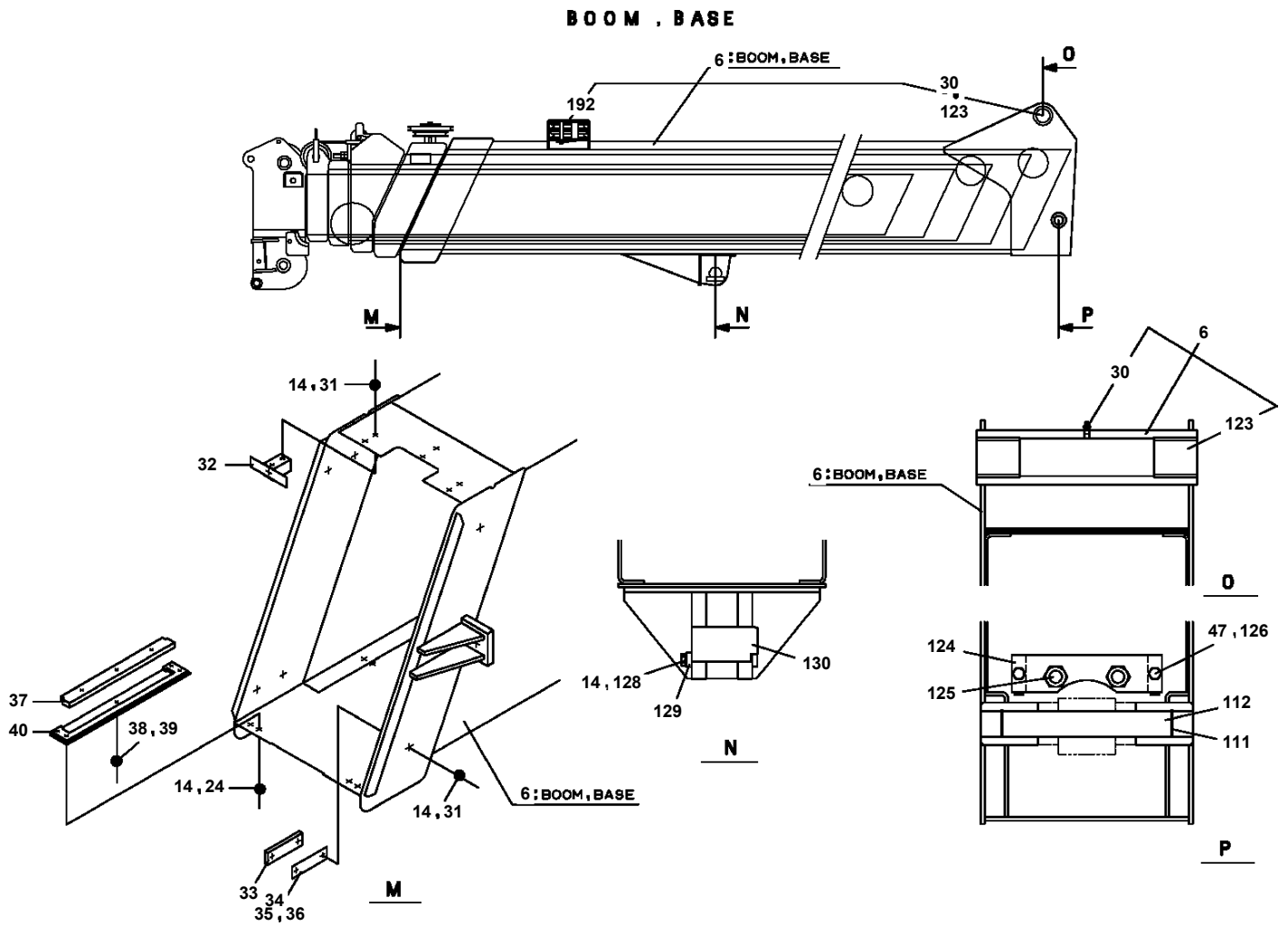
TR-100M-1-00105 6 BOOM + JIB,X,10T
PF1320005-00 JOINT,WINCH ROTARY

JOINT, WINCH ROTARY

1



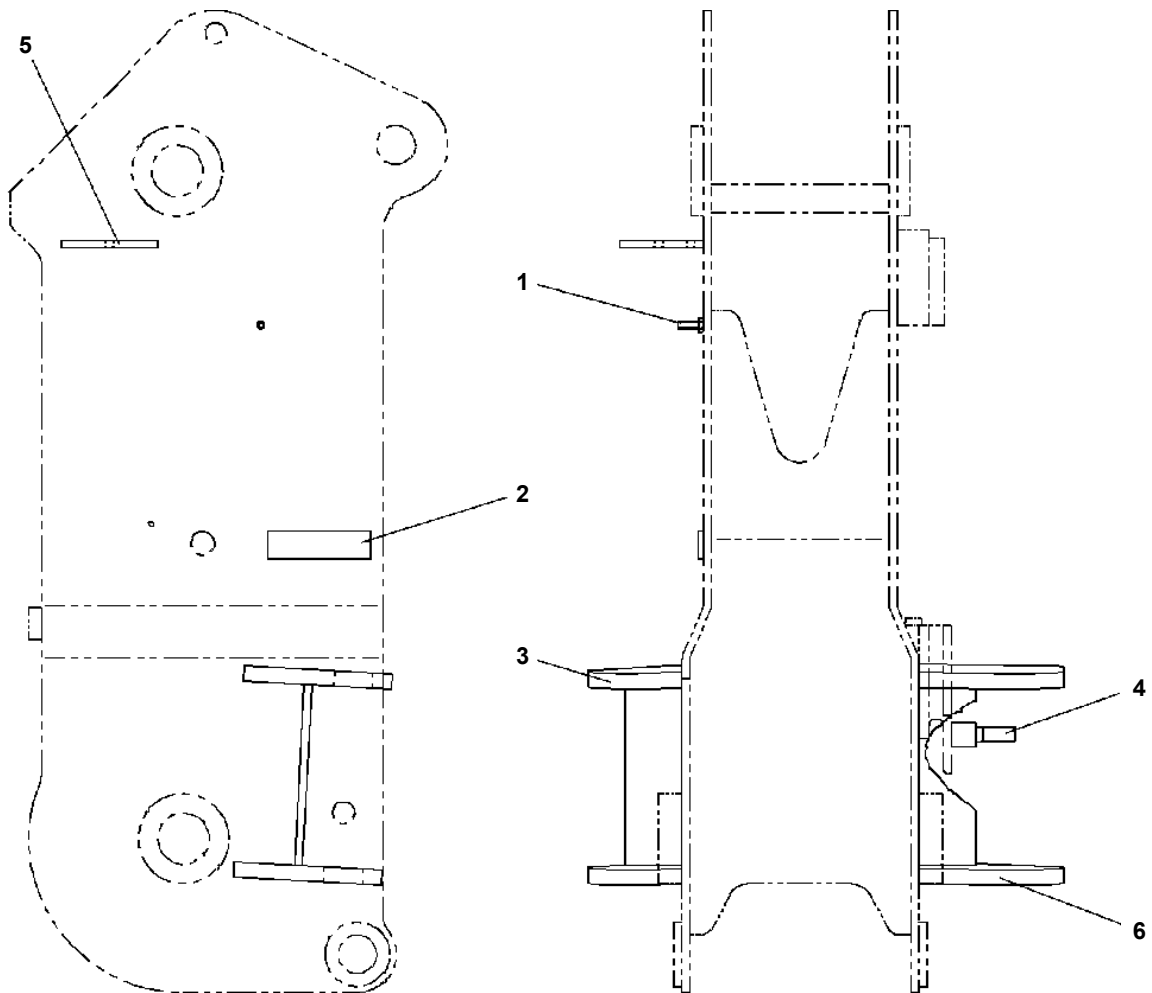
TR-100M-1-00105 6 BOOM + JIB,X,10T
PG1010549-02 BOOM



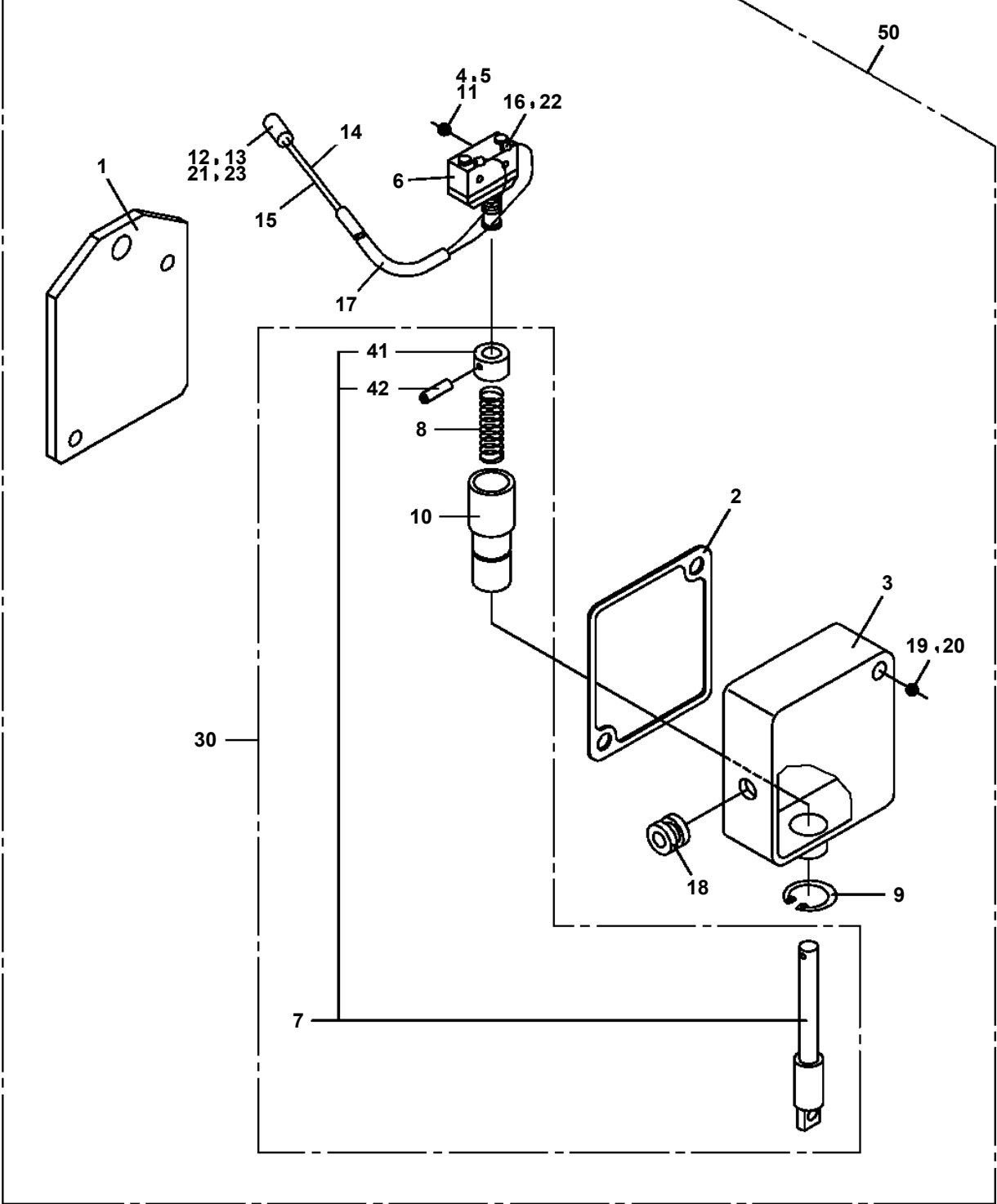
TR-100M-1-00105 6 BOOM + JIB,X,10T

Pos No.	Parts No	Parts Name	Qty	Unit	Technical Data	Serial No (Start)	Serial No (End)	Re
1	34210610100	JOINT	1					
2	90101210022	BOLT	6		M10X22			
3	90302041001	WASHER,SPRING	6		10			
4	37002455300	HOSE,TWIN	1		L=4580			
5	36014820000	CYLINDER,TELESCOPING (NO.1)	1					
6	36014830000	CYLINDER,TELESCOPING (NO.2)	1					
7	90303071001	WASHER,PLAIN	6		10			
18	34210611001	ROLLER ASSY	1					
21	59457138000	PLUG ASSY	2					
22	80720105025	PIN,SPRING	2		5X25			
23	36012280050	NUT	2					
24	91684010000	PACKING	4					
25	91411208502	RING,BACKUP	4					
26	36014824000	PISTON	2					
27	91002905500	O-RING	2		1B G55			
28	36014822000	ROD	1					
30	91002910000	O-RING	2		1B G100			
31	91694008500	PACKING	2					
32	91410208500	RING,BACKUP	2					
33	36014823000	COVER,ROD	2					
34	91660008501	SEAL,DUST	2					
35	36603690000	VALVE,COUNTERBALANCE	2					
36	90101508060	BOLT	8		M8X60			
37	90302040801	WASHER,SPRING	9		8			
38	91302210000	BEARING,PLAIN	4					
39	80601110200	RING,RITAINING	4		S20			
40	37000166210	PIN	2					
41	37000302510	SPACER	4		L=7			
42	37001105530	ROLLER ASSY	2					
58	36014832000	ROD	1					
73	32470502030	SPACER	3					
74	37000166220	PIN	1					
75	90101208012	BOLT	1		M8X12			
82	80516006204	BEARING,BALL	4					
92	80516006002	BEARING,BALL	4					
100	36014839900	PACKING SET	2		85X105			
101	34210611400	SUPPORT	1					
102	34210611501	SHEAVE ASSY	2					
107	80136325020	PIN,SPLIT	4		2.5X20			
108	37000169000	PIN	2					
121	36014828810	CYLINDER ASSY	1					
122	36014838810	CYLINDER ASSY	1					

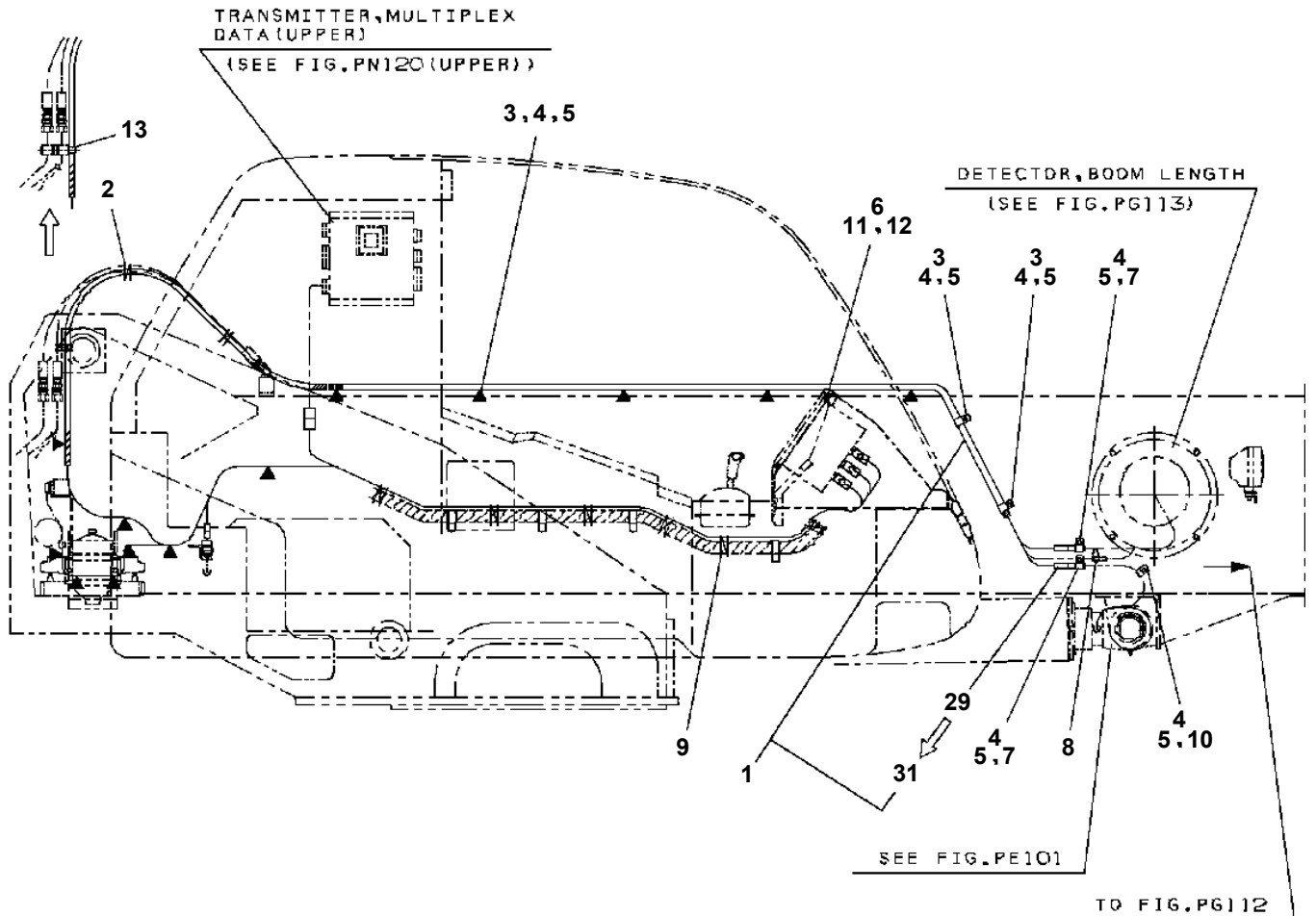
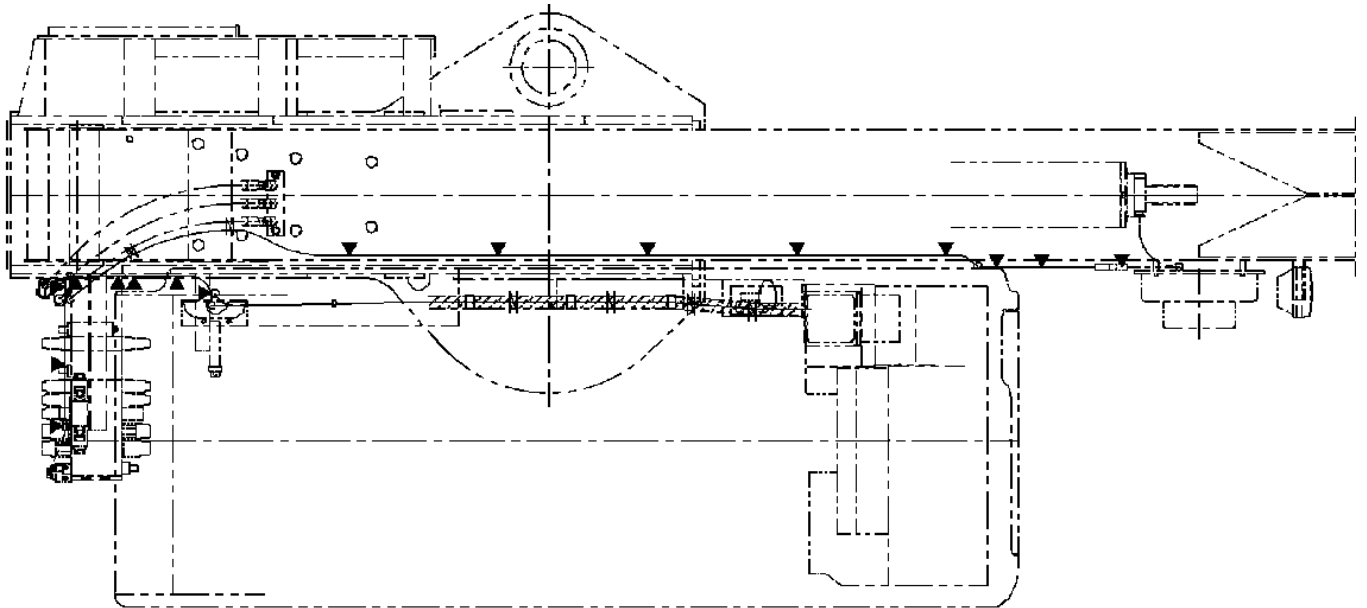
TR-100M-1-00105 6 BOOM + JIB,X,10T
PG1350005-00 WELDED PARTS (BOOM,HEAD)



TR-100M-1-00105 6 BOOM + JIB,X,10T
PH1070013-02 SWITCH,OVER WIND DETECTOR (BOOM)



**TR-100M-1-00105 6 BOOM + JIB,X,10T
PH1180162-02 CONNECTION,MOMENT LIMITER SYSTEM**



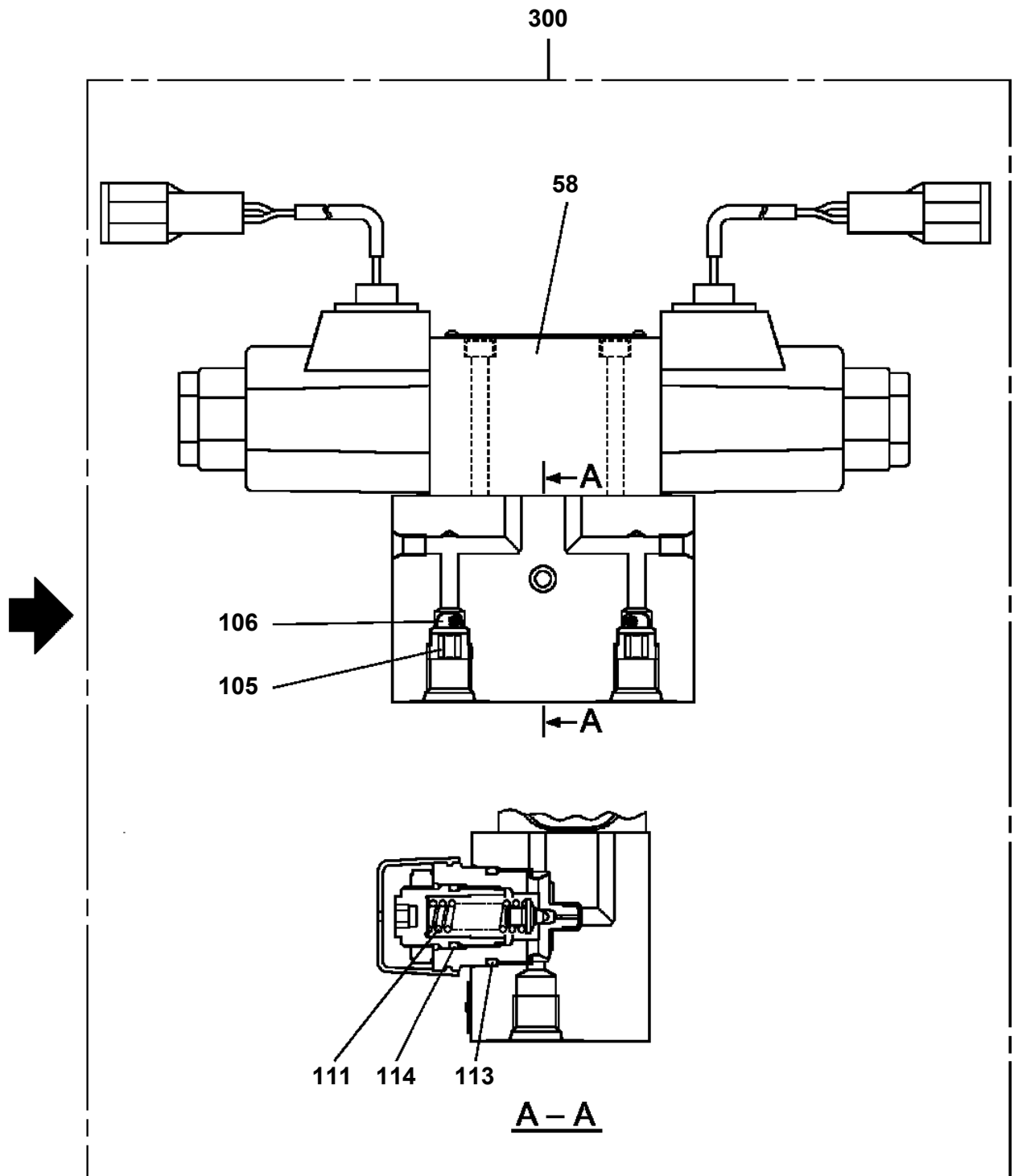
TR-100M-1-00105 6 BOOM + JIB,X,10T

Pos No.	Parts No	Parts Name	Qty	Unit	Technical Data	Serial No (Start)	Serial No (E
4	36662215010	BEARING	1				
5	36662015020	RING,RETAINING	1				
6	36662345040	ADAPTER (SEAL)	1				FC1094
	36662215070	ADAPTER (SEAL)	1			FC1095	
7	91001205000	O-RING	1		1A G50		
8	36662345020	SEAL,OIL	1				
9	36662015050	RING,RETAINING	1				
16	36662215020	SPACER (SPRING)	2				
17	36662215030	RING,RETAINING	1				
18	36662215040	SPRING	1				
23	36662345030	GASKET	1				
26	36662015080	KEY	1				
27	36662215060	BEARING,NEEDLE	1				
28	36662215080	RING,RETAINING	1			FC1095	
30	36662345010	SEAL KIT	1				
50	36662210000	MOTOR,HYDRAULIC (AIR CONDITIONER)	1				

TR-100M-1-00105 6 BOOM + JIB,X,10T

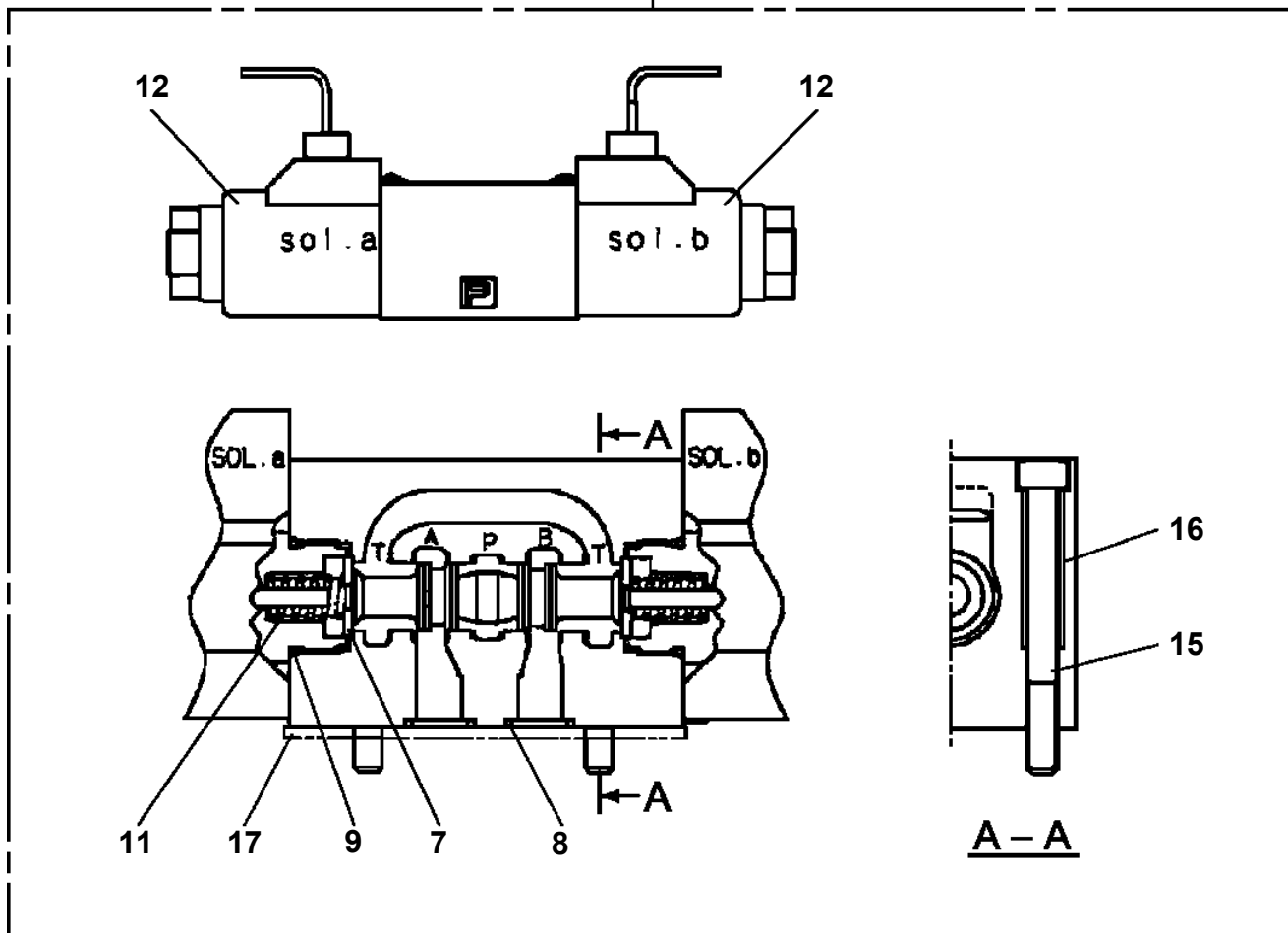
Pos No.	Parts No	Parts Name	Qty	Unit	Technical Data	Serial No (Start)	Serial No (End)	Remarks	Pages
1	36100255010	RESERVOIR	1						
2	36102225020	CAP	1						
3	36102225030	NET	1						
4	36100255020	BAND	1						
30	36100250000	RESERVOIR,OIL	1						

TR-100M-1-00105 6 BOOM + JIB,X,10T
PI1120161-02 VALVE,SOLENOID

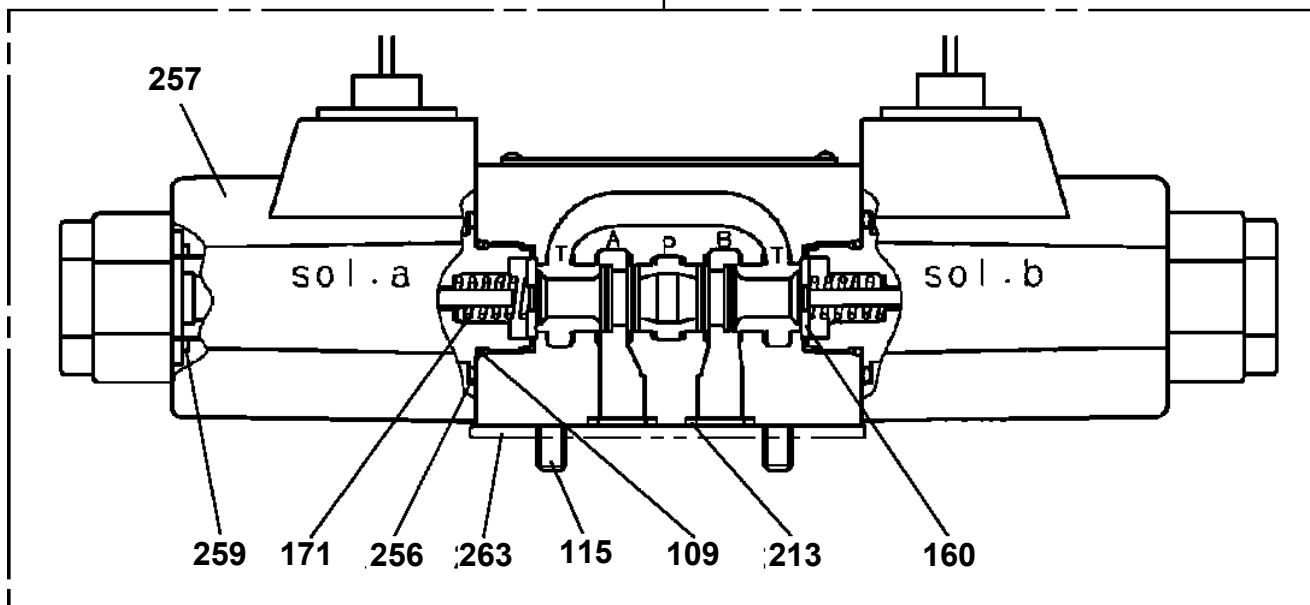


TR-100M-1-00105 6 BOOM + JIB,X,10T
 PI1120234-01 VALVE,SOLENOID (UCHIDA)

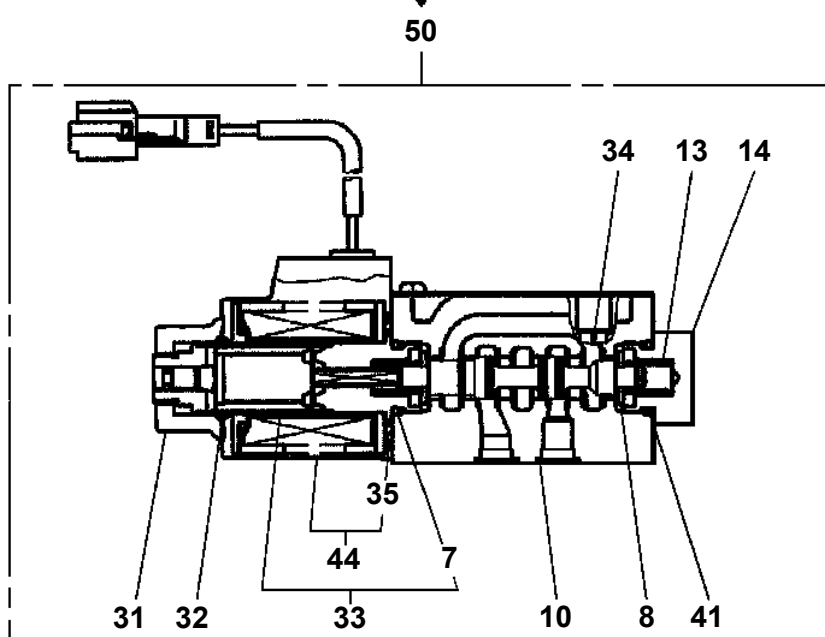
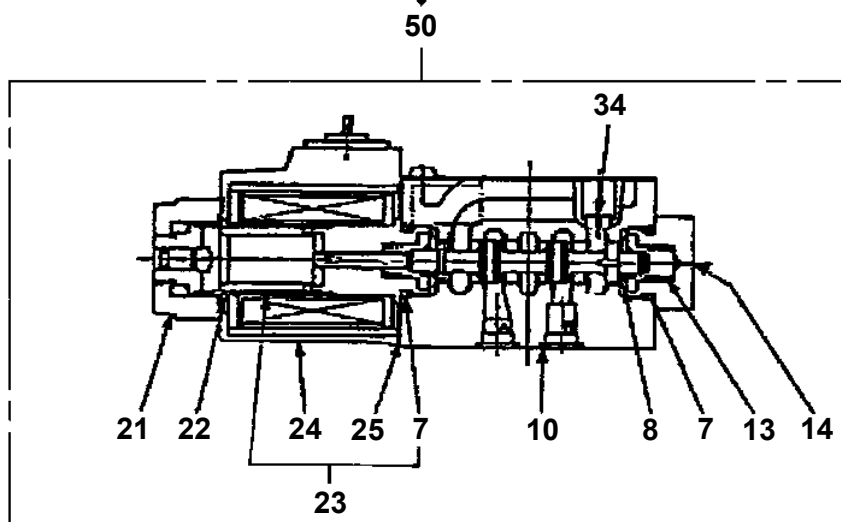
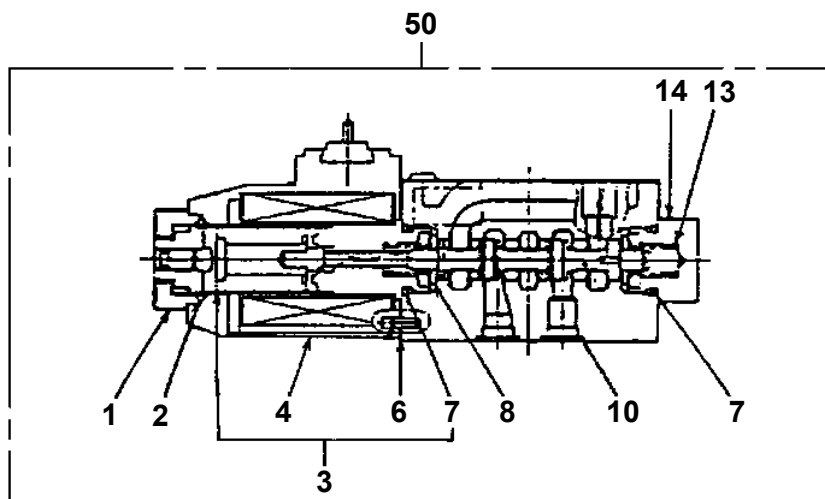
300



300



TR-100M-1-00105 6 BOOM + JIB,X,10T
PI1120351-00 VALVE,SOLENOID



TR-100M-1-00105 6 BOOM + JIB,X,10T

Pos No.	Parts No	Parts Name	Qty	Unit	Technical Data	Serial No (Start)	Serial No (End)	Remarks	Pages
2	91040101200	O-RING	1		P12				
5	91002801600	O-RING	1		1B P16				
6	91411001600	RING,BACKUP	1		P16				
8	91002802200	O-RING	2		1B P22				
9	36624166200	SPRING (A)	1						
11	91002801400	O-RING	2		1B P14				
12	91411001200	RING,BACKUP	2		P12				
20	36624230000	VALVE,CHECK	1						

TR-100M-1-00105 6 BOOM + JIB,X,10T

Pos No.	Parts No	Parts Name	Qty	Unit	Technical Data	Serial No (Start)	Serial No (End)	Remarks	Pages
4	36625105010	CONNECTOR	1						
5	91002801800	O-RING	1		1B P18				
30	36625100000	VALVE,CHECK	1						

TR-100M-1-00105 6 BOOM + JIB,X,10T

Pos No.	Parts No	Parts Name	Qty	Unit	Technical Data	Serial No (Start)	Serial No (End)	Remark
3	91002801400	O-RING	3		1B P14			
7	36601665020	SPRING	1					
10	91001001000	O-RING	1		1A S10			
11	36601665030	SPRING	1					
13	91002803400	O-RING	1		1B P34			
14	91002802500	O-RING	1		1B P25		FC1558	
	36601665050	O-RING	1		P25	FC1559		
15	91410002500	RING,BACKUP	1		P25			
18	91002802600	O-RING	1		1B P26			
19	91001301600	O-RING	1		WP16			
20	91002801000	O-RING	1		1B P10			
21	91410001000	RING,BACKUP	1		P10			
50	36603690000	VALVE,COUNTERBALANCE	1					

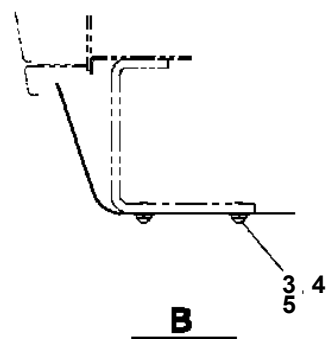
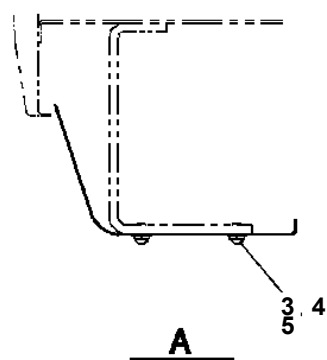
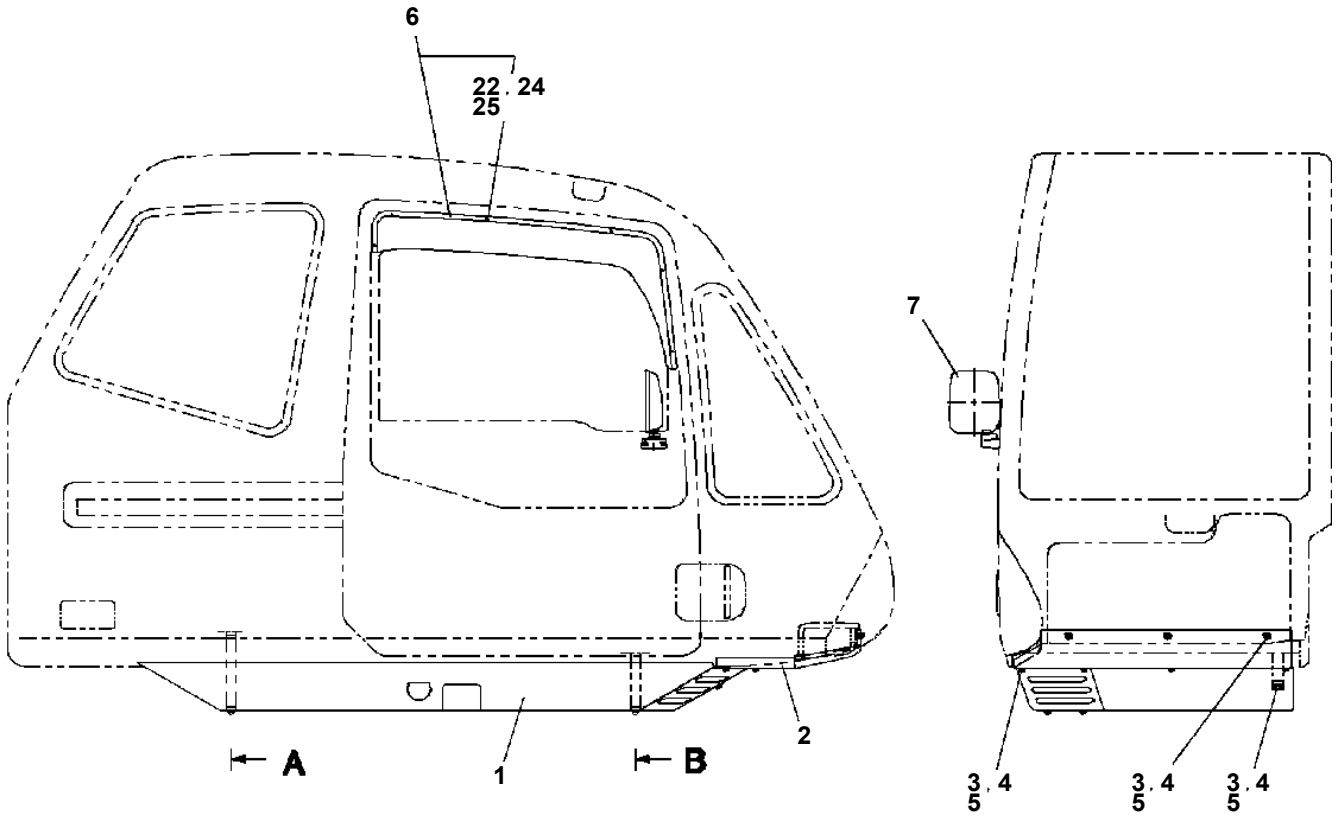
TR-100M-1-00105 6 BOOM + JIB,X,10T

Pos No.	Parts No	Parts Name	Qty	Unit	Technical Data	Serial No (Start)	Serial No (End)	Remarks	Pages
1	34230700100	PLATE	1						
2	37000166260	PIN	1						
3	34230700200	PIN	1						
4	90101512030	BOLT	4		M12X30				
5	90302041201	WASHER,SPRING	4		12				
6	37001503600	BOLT	9		M22X110				
7	90303502201	WASHER,PLAIN	28		22				
8	34230701000	FRAME	1						
9	37000542760	PLATE	1						
10	90101510025	BOLT	2		M10X25				
11	90302041001	WASHER,SPRING	2		10				
12	37001508030	BOLT	19		22X100				
13	37000155370	PIN	2		20				

TR-100M-1-00105 6 BOOM + JIB,X,10T

Pos No.	Parts No	Parts Name	Qty	Unit	Technical Data	Serial No (Start)	Serial
1	34260632100	COVER (FRONT)	1				
2	34260637520	ARM ASSY (UPPER)	1				
3	34260035220	STRIKER,SLIDE	2				
4	34260239810	HANDLE (INNER)	1				
5	34260239760	REMOTE ASSY (RH)	1				
6	34260637530	ROD	1				
7	34260637540	COVER (OUTER HANDLE)	1				
8	34260637550	ARM ASSY (LOWER)	1				
9	34260637560	LINK (OUTER HANDLE)	1				
10	34260637570	REMOTE ASSY	1				
11	34260239830	CLIP	4				
12	34260637580	PIN	1				
13	34260637590	REMOTE CONTROL ASSY (ROD)	1				
14	82100001140	CLAMP	1		D=6.8		
15	34260637600	COVER (GLASS SUPPORT)	1				
16	34260637610	RUBBER	2				
17	34260637620	ROD (KEY)	1				
18	34260637630	LOCK (RH)	1				
19	34260637640	ARM ASSY (SWING)	1				
20	34260637650	SPRING	1				
21	34260637660	ARM	1				
22	34260239850	PIN	1				
23	80801001210	BEARING,PLAIN	2				
24	34260639450	GROMMET	1				
25	34260005650	KNOB (DOOR LOCK)	1				
26	34260637670	ROD (LOCK)	1				
27	34260239710	HANDLE (DOOR/OUTER)	1				
28	34260637680	RUBBER (U)	1				FC143
	34260632260	CUSHION	1			FC1439	
30	34260637690	COVER (BOX)	1				
31	34260639441	COVER (BOX)	1				
32	34260637710	COVER	1				
33	34260637720	LAMP,ROOM	2				
34	33260495130	PACKING	2				
35	16612232000	SCREW	1		M6		
36	82100000950	GROMMET	1				FC143
	82400000201	GROMMET	1		KG-016	FC1586	
37	82100000951	GROMMET	1				
38	34260637731	GRIP	1				
40	34260639170	WEATHER STRIP (REAR)	1				
41	34260637750	HOLDER (GLASS)	2				
42	33260015170	NUT (WITH RUBBER)	2		M6		
43	34260237810	HANDLE ASSY (GLASS)	1				
44	34260637760	LINER (SWING ARM)	1				
45	34260035040	SEAL,FASTENER	5				
46	34260637770	RAIL ASSY (REAR)	1				
47	34260637780	COVER	1				
48	34260637790	GUIDE (FRONT)	1				
49	34260637800	COVER	1				
50	34260637810	STRIKER	1				
51	34260637700	LINER (STRAIKER)	1				
52	34260637830	HOOK ASSY	1				
53	34260637840	COVER (UNDER)	1				
54	34260637850	LINER (LOWER ARM)	1				
55	34260657540	RUBBER (U)	1				
56	34260637860	COVER	1				
57	34351500600	GROMMET	2				FC158
	34351500600	GROMMET	1			FC1586	
58	33260495150	PACKING	1				
59	33260495160	PACKING	2				
60	34260637870	SUPPORT	1				
61	34260637880	SUPPORT	1				
62	34260637890	SUPPORT	1				

TR-100M-1-00105 6 BOOM + JIB,X,10T
PK1330045-01 COVER (CAB)



TR-100M-1-00105 6 BOOM + JIB,X,10T

Pos No.	Parts No	Parts Name	Qty	Unit	Technical Data	Serial No (Start)	Serial No (End)
63	36636270000	VALVE,CONTROL (2 LEVER)	1				
67	90303070601	WASHER,PLAIN	4		6	FC1100	
71	34321294100	SUPPORT	1				
72	34321294200	LEVER	3				
73	37000107380	PIN	1				
74	90101210016	BOLT	2		M10X16		
	90101208016	BOLT	2		M8X16		
75	90302040801	WASHER,SPRING	8		8		
	90302041001	WASHER,SPRING	2		10		
76	37000515590	PLATE	3		T=0.5		
81	34321295100	SUPPORT	1				
82	34321295200	LEVER	1				
83	34321295300	LEVER	1				
84	34321295400	LEVER	1				
85	37000166340	PIN	1				
88	80566000005	BEARING,BALL	2				
89	90101206012	BOLT	4		M6X12		
90	90302040601	WASHER,SPRING	4		6		
91	34321295500	ROD	1				
92	37000105730	PIN	13				
93	90303070801	WASHER,PLAIN	13		8		
94	80136320016	PIN,SPLIT	13		2X16		
101	80565000081	END	3				
102	90201200800	NUT	14		M8		
104	34321296110	ROD	2				
105	90291200800	NUT	7		M8		
106	80565000082	END	3				
114	34321296210	ROD	1				
124	34321296310	ROD	1				
126	37001502330	BOLT	3				
128	34330051540	END	3				
134	34321296410	ROD	1				
138	80567000005	END	1				
144	34321296610	ROD	1				
154	80567000004	END	6				
156	34321296510	ROD	1				
157	37001501540	BOLT	1				
162	90203200800	NUT	5		M8		
163	34321290410	END	5				
171	34321292601	SUPPORT	1				
172	34321292700	STOPPER	5				
173	80613110040	RING,RETAINING	5				
174	82430505010	SPRING (PLUNGER)	5				
181	34321293600	PEDAL	2				
182	34321293701	SUPPORT	1				
183	37000156970	PIN	2				
186	34321293800	COVER	2				
191	34321293101	SUPPORT	1				
201	91002801100	O-RING	4		1B P11		
214	80801002015	BEARING,PLAIN	10				
225	80804016010	BEARING,PLAIN	4				
251	(*****)	PLATE,NAME (STD OPERATION MARK)	1				

CLICK HERE TO **DOWNLOAD** THE COMPLETE MANUAL

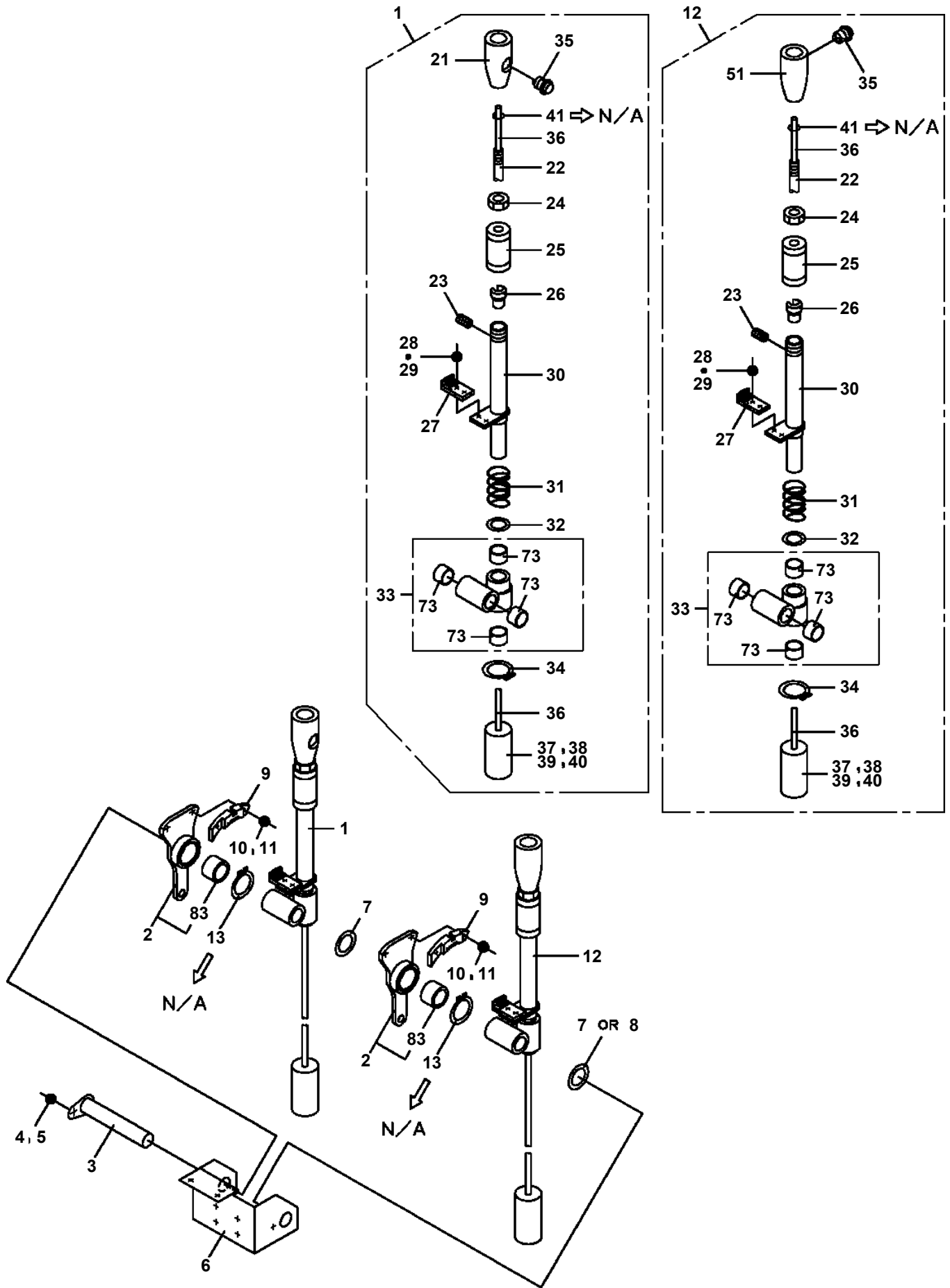
- Thank you very much for reading the preview of the manual.
- You can download the complete manual from: www.heydownloads.com by clicking the link below



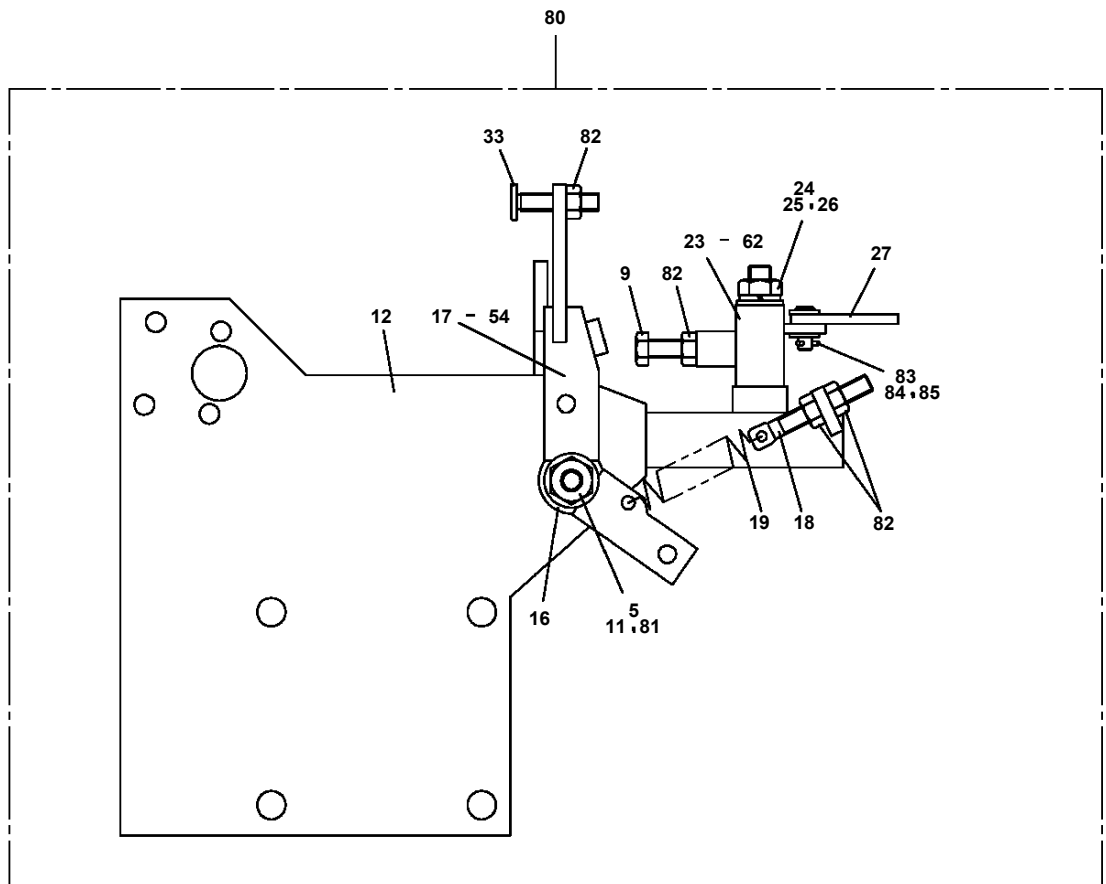
- Please note: If there is no response to CLICKING the link, please download this PDF first and then click on it.

CLICK HERE TO **DOWNLOAD** THE COMPLETE MANUAL

**TR-100M-1-00105 6 BOOM + JIB,X,10T
 PL1020034-05 LEVER,CONTROL (ISO,LEFT)**



TR-100M-1-00105 6 BOOM + JIB,X,10T
PL1030569-03 OPE.ASSY,ACCELERATOR (LOWER)



C

TR-100M-1-00105 6 BOOM + JIB,X,10T

Pos No.	Parts No	Parts Name	Qty	Unit	Technical Data	Serial No (Start)	Serial No (End)
92	34352061220	SWITCH ASSY	1				
93	34351961340	SWITCH,ROCKER	1				
94	34352061210	COVER	1				
101	34351961410	SWITCH,PUSH (FRONT,LEFT)	1				
102	34351961420	SWITCH,PUSH (FRONT,RIGHT)	1				
103	34351961430	SWITCH,PUSH	1				
104	34351961440	SWITCH,PUSH (REAR,LEFT)	1				
105	34351961450	SWITCH,PUSH (REAR,RIGHT)	1				
106	34351961460	SWITCH,ROCKER	1				
107	34351961470	SWITCH,ROCKER	1				
108	34351961310	SWITCH,ROCKER	1				
109	34352061050	SWITCH ASSY (WITH CONNECTOR)	1				
110	34352061320	SWITCH,PUSH	1				
111	34352061310	SWITCH,PUSH	1				
113	82460104228	GRIP	3				
121	34351961610	SWITCH,PUSH (ASSY ONLY)	1				
122	34351961620	SWITCH,ROCKER	1				
123	34352061410	CAP	4				
131	82165901030	LENS	1				
135	82165901050	GASKET	1				
136	82100001171	BULB,LAMP	1		24V 60W		
161	34352061911	PLATE	1				
162	90101206020	BOLT	2		M6X20		
163	90302040601	WASHER,SPRING	2		6		
164	90303070601	WASHER,PLAIN	2		6		
165	99172108020	BOLT,TAPPING	2		M8X20		
168	82100002697	RELAY (HORN)	1				
169	82100002600	HORN (HIGH PITCH)	1				
170	34352802400	HORN (LOW PITCH)	1				
171	82183901010	CONDENSER	1				
172	82100002001	CLAMP	1		WR5		
173	34352061920	HARNESS	1				
221	82100002307	COVER (CONTACT BLOCK PROTECTION/BLACK)	2				
242	82100000783	BULB,LAMP	1		24V 12W		
243	34351967510	LENS (TRANSPARENT)	1				
251	34351907510	CASE	1				
254	34351907520	LAMP	3		24V 3W		
264	34351967520	BULB,LAMP	8		28V 0.67W		
278	34351967540	LAMP (SOCKET)	1		28V/1.8W		
285	34351967530	BULB,LAMP	10		28V 1.12W		

TR-100M-1-00105 6 BOOM + JIB,X,10T

Pos No.	Parts No	Parts Name	Qty	Unit	Technical Data	Serial No (Start)	Serial No (End)	Remarks	Pages
1	34950925100	HARNESS	1						
3	82100002006	CLAMP	12		WR10				
4	90302040601	WASHER,SPRING	16		6				
5	90190000008	BOLT,STUD	8		M6X20				
6	90201200600	NUT	16		M6				
7	82100002010	CLAMP	4		WR15				

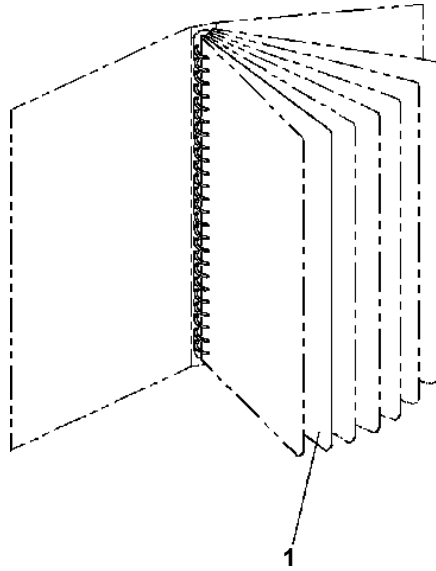
TR-100M-1-00105 6 BOOM + JIB,X,10T

Pos No.	Parts No	Parts Name	Qty	Unit	Technical Data	Serial No (Start)	S
4	36170055040	BOARD,CPU	1				
5	36170055050	BOARD,I/O	1				
6	36170055060	BOARD,RELAY	1				
7	(*****)	P-ROM	1				
30	36170051001	TRANSMITTER,MULTIPLEX DATA (WITHOUT ROM)	1				
50	36170050001	TRANSMITTER,MULTI. DATA (LOWER)	1				

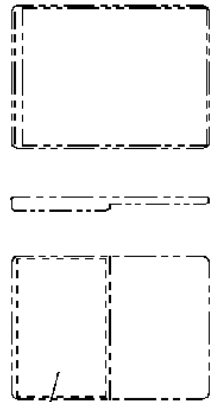
TR-100M-1-00105 6 BOOM + JIB,X,10T

Pos No.	Parts No	Parts Name	Qty	Unit	Technical Data	Serial No (Start)	Serial No (End)	Re
1	82151009541	BATTERY (PANASONIC/95E41R)	1					

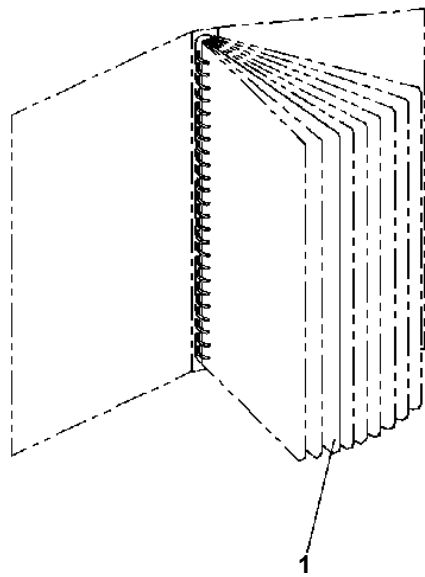
TR-100M-1-00105 6 BOOM + JIB,X,10T
PO1011981-01 PLATE ASSY,NAME (WITH SPRING LOCK)



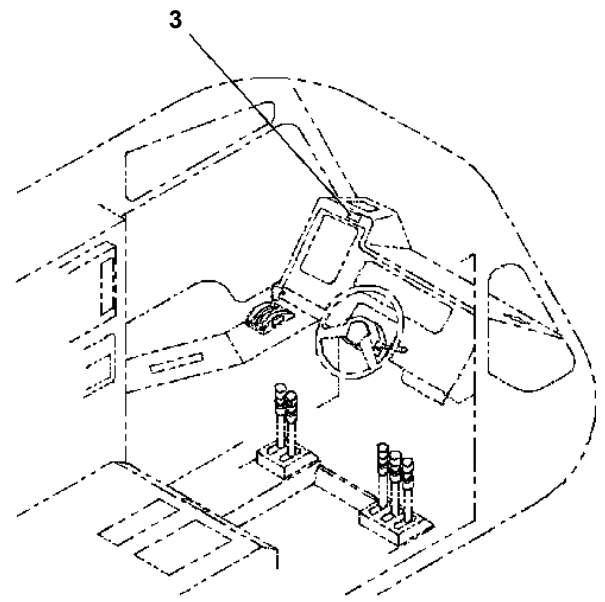
WITHOUT JIB



2



WITH JIB



3

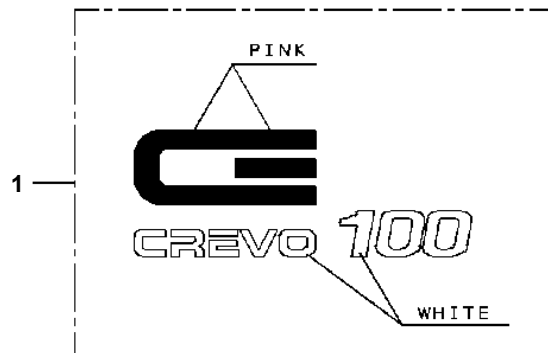
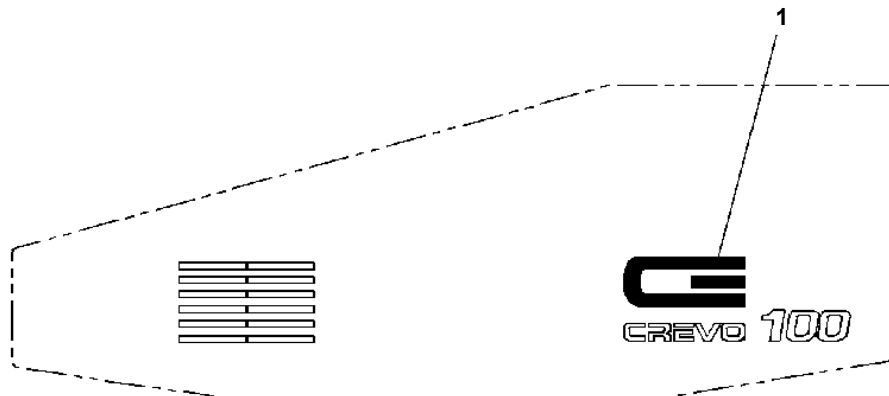
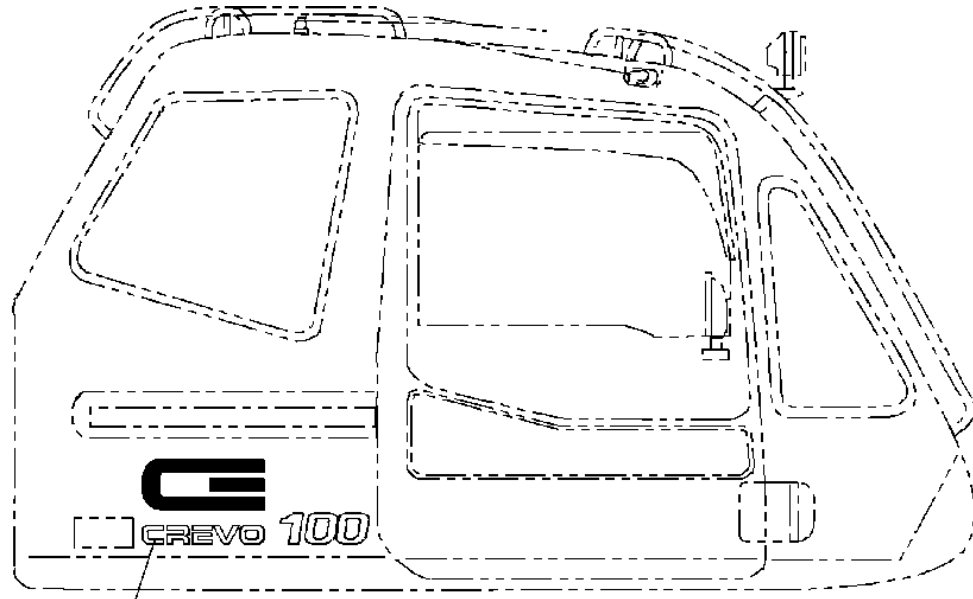
TR-100M-1-00105 6 BOOM + JIB,X,10T
PO1020001-00 PLATE,NAME (AML)

PLATE, NAME (AML)

当 AML 労検銘板については、弊社出先サービス員経由、
御用命ください。

[組立名称一覧]より選択してください。
SEE THE CORRESPONDING "ASSEMBLY NAME" LIST.

TR-100M-1-00105 6 BOOM + JIB,X,10T
PO1040018-00 CREVO (PINK/WHITE)

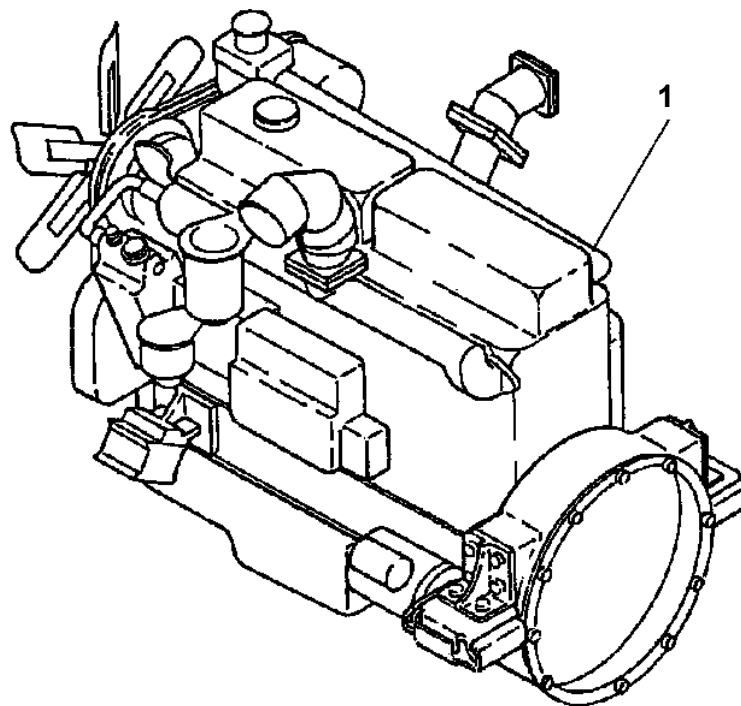


TR-100M-1-00105 6 BOOM + JIB,X,10T
PO1080001-02 PLATE,NAME (LOW NOISE MARK)

当銘板については、弊社出先サービス員経由で御用命ください。

FOR THIS NAMEPLATE, CONTACT
TADANO DISTRIBUTOR OR DEALER.

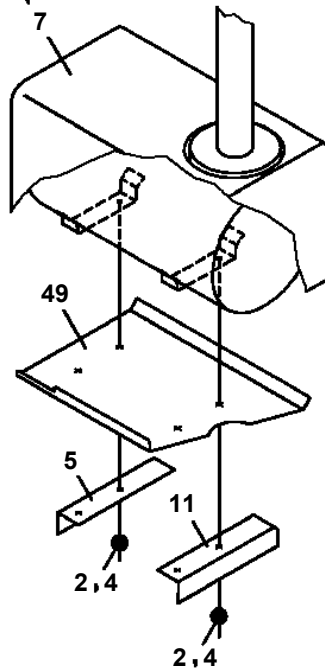
**TR-100M-1-00105 6 BOOM + JIB,X,10T
PQ1010001-01 ENGINE**



For the parts of the engine, refer to the parts catalog of the engine manufacturer.
エンジン部品については、エンジンメーカーのパーツカタログをご覧ください。

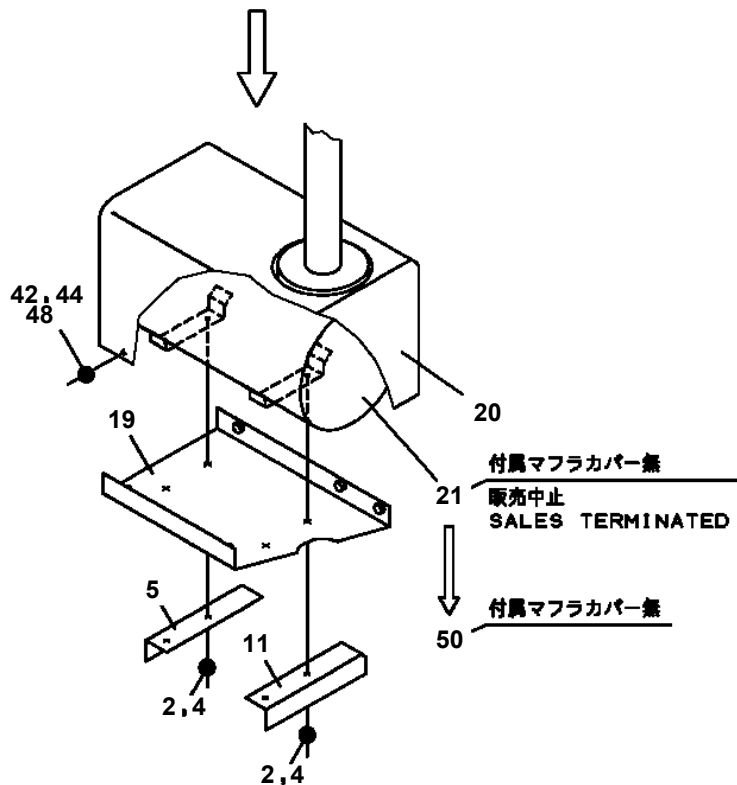
TR-100M-1-00105 6 BOOM + JIB,X,10T
PQ1040020-05 EXHAUST INSTALLATION

付属マフラカバー有



適用製番

FC0709, FC0722, FC0750, FC0764, FC0765, FC0767, FC0773, FC0774, FC0776
FC0781, FC0783, FC0787, FC0790, FC0792, FC0795, FC0797~FC01076
FC1078~FC1086, FC1088~FC1097, FC1101~FC1106, FC1110~FC1143, FC1145~FC1170
FC1173~FC1354, FC1357, FC1359~FC1366, FC1368, FC1370~FC1375, FC1377~FC1379
FC1381~FC1387, FC1389, FC1391~FC1396, FC1399, FC1400, FC1403~FC1411, FC1413
FC1414, FC1416, FC1419, FC1426, FC1427, FC1431~FC1435, FC1441, FC1442, FC1448



適用製番

FC1077, FC1087, FC1098~FC1102, FC1107~FC1109, FC1144, FC1171
FC1172, FC1355, FC1356, FC1358, FC1367, FC1369, FC1376, FC1380
FC1388, FC1390, FC1397, FC1398, FC1401, FC1402, FC1412, FC1415
FC1417, FC1418, FC1420~FC1425, FC1428~FC1430, FC1436~FC1440
FC1443~FC1447, FC1449~

TR-100M-1-00105 6 BOOM + JIB,X,10T

Pos No.	Parts No	Parts Name	Qty	Unit	Technical Data	Serial No (Start)	Serial No (End)	Remarks	Page
2	34780837510	ELEMENT ASSY	1						
3	34780627520	GASKET ASSY (NUT)	1						
4	34780837520	VALVE	1						
5	33420261070	INDICATOR	1						
20	34781081000	CLEANER,AIR	1						

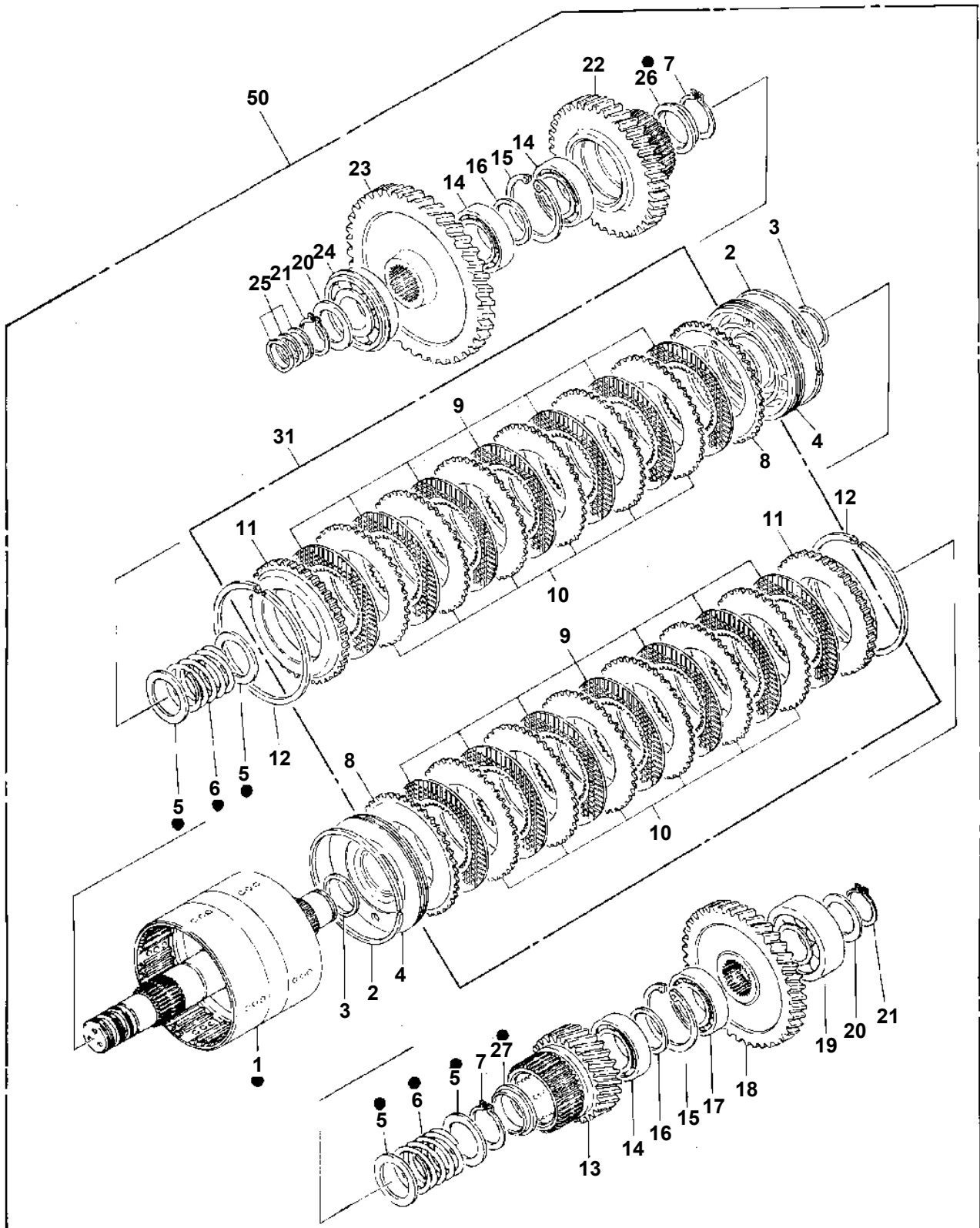
TR-100M-1-00105 6 BOOM + JIB,X,10T

Pos No.	Parts No	Parts Name	Qty	Unit	Technical Data	Serial No (Start)	Serial No (End)
1	34721211000	SWITCH ASSY	1				FC1462
	34721211001	SWITCH ASSY	1			FC1463	
2	80192485014	SCREW,MACHINE (WITH WASHER)	4		M5X14		

TR-100M-1-00105 6 BOOM + JIB,X,10T

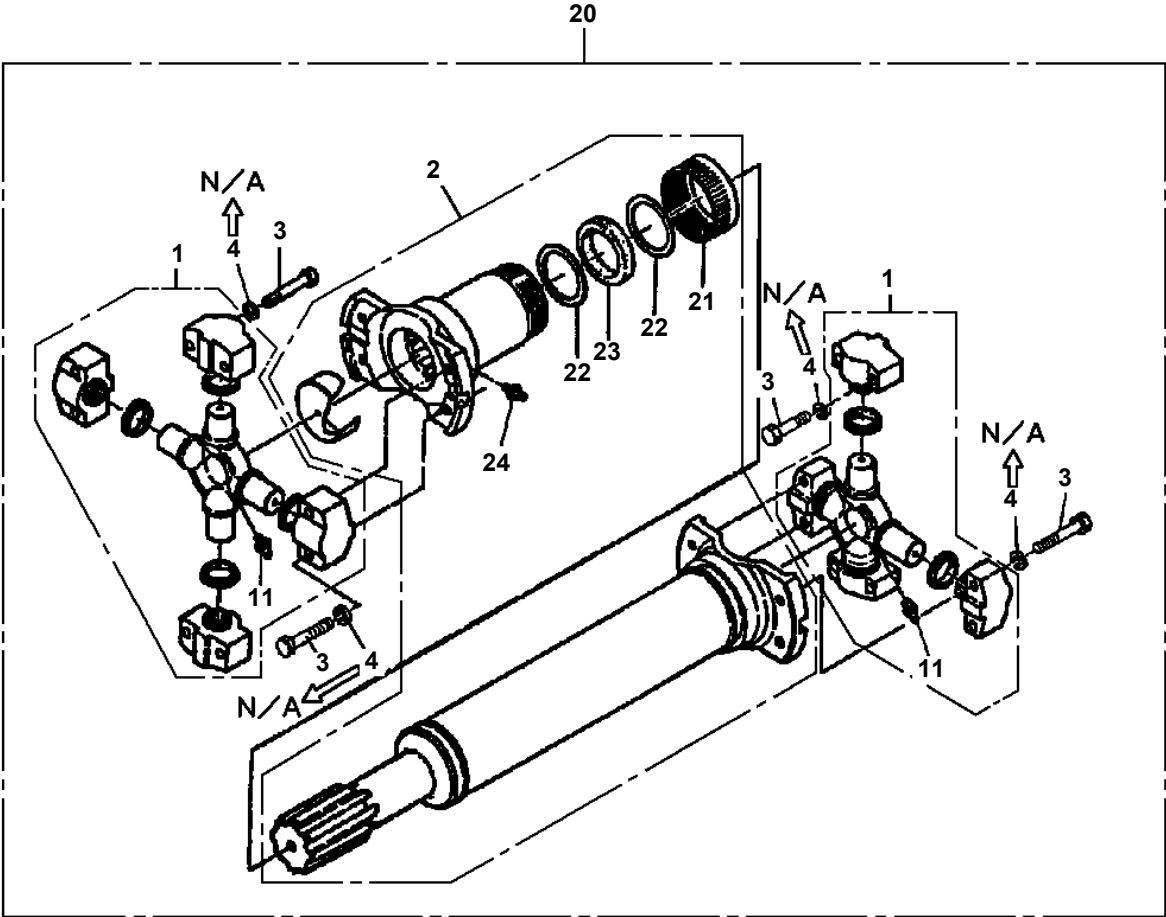
Pos No.	Parts No	Parts Name	Qty	Unit	Technical Data	Serial No (Start)	Serial No (End)	R
1	36370355170	CASE	1					
2	36370355180	SHAFT ASSY	1					
3	36370305680	RING,SEAL	1					
4	36370305690	RING,SEAL	1					
5	36370305700	PISTON	1					
6	36370305710	PLATE (DRIVE)	5					
7	36370355190	DISK ASSY	5					
8	36370355200	PLATE (BACK)	1					
9	80602110950	RING,RITAINING	1		95			
10	36370305740	SPRING	1					
11	36370305750	WASHER	1					
12	80601110360	RING,RITAINING	1		S36			
13	80500006911	BEARING,BALL	2					
14	80601110550	RING,RITAINING	1		S55			
15	36370305780	RING,SEAL	3					
16	36370305790	PLUG	1					
17	80560054000	BALL,STEEL	1		5/32			
18	36370305800	GASKET	1					
19	36370355210	COVER	1					
20	36370355220	GASKET	1					
21	90131712030	BOLT,HEXAGON SOCKET	4		M12X30			
22	80205000100	PLUG	2		PT1/8			
31	36370355340	DISK KIT	1					
32	36370355350	OVERHAUL KIT	1					
100	36370355030	P.T.O.CLUTCH INSTALLATION T/C	1					

TR-100M-1-00105 6 BOOM + JIB,X,10T
 PR1460002-00 HI,LOW CLUTCH PACK, TRANSMISSION



●: SHAFT KIT KEY NO. 41 (KEY NO 1 5 6 26, 27)

TR-100M-1-00105 6 BOOM + JIB,X,10T
PR1600117-00 PROPELLER SHAFT,DRIVING



TR-100M-1-00105 6 BOOM + JIB,X,10T

Pos No.	Parts No	Parts Name	Qty	Unit	Technical Data	Serial No (Start)	Serial No (End)
70	36381335840	GASKET	1			FC1468	
72	36381335480	BOLT	8				
81	36381335490	BOLT	2				
82	36381155850	NUT	2		M8X1.25		
83	36381335500	RING,RETAINING	1				
88	36381335520	BEARING,ROLLER	1				
89	36381335510	RETAINER	2				
92	36381335530	NUT	1				
93	36381335540	BEARING,TAPER ROLLER	1				
97	36381335550	SPACER	N				
98	36381335560	SHIM (PINION)	N				
99	36381335570	BEARING,TAPER ROLLER	1				
101	36381335580	NUT (ADJUST)	1				
102	36381335590	BEARING,TAPER ROLLER	1				
105	36381335600	BOLT	4				
110	36381335610	BOLT (RING GEAR)	16				
113	36381335620	BOLT	4		M8X16		
114	36381335630	PLATE (LOCK)	2				
115	36381335640	BOLT (DIFF.CASE)	4				
116	36381335650	NUT	8				
117	36381335660	WASHER	4				
119	36381335670	O-RING	1				
120	36381155790	WASHER,SPRING	6		14		
121	36381156110	NUT	6		M14X1.5		
122	36381335680	SPIDER	1				
123	36381156070	BOLT	4		M16X2		
124	36381156130	WASHER,SPRING	4		16		
125	36381335690	FLANGE ASSY	1				
127	36381156160	DRUM,BRAKE	1				
128	36381156170	BRAKE,PARKING	1				
129	36381335710	COVER (CARRIER)	1				
130	36381156190	SEAL,OIL	1				FC1467
	36381335850	SEAL,OIL	1			FC1468	
131	36381156200	BOLT	4		M16X2.0X50		
133	36381335720	CAGE,PINION	1				
134	36381335730	SHIM (PINION)	N				
135	36381335740	PLATE (LOCK)	2				
136	36381335860	CASE (A,DIFFERENTIAL)	1				
137	36381335750	WASHER,THRUST	2				
138	36381335760	WASHER,THRUST	4				
139	36381335900	GEAR,PINION (DIFFERENTIAL)	4				
140	36381335910	GEAR,SIDE	2				
142	36381335770	NUT (ADJUST)	1				
143	36381335780	BEARING,TAPER ROLLER	1				
144	36381335790	BOLT (DIFF.CASE)	4				
151	36381335030	PLUG	4				
152	36381155580	BUSH,KING PIN	4				
153	36381335040	BUSH	2				
154	36381335050	HOUSING (AXLE)	1				FC1467
	36381335051	HOUSING (AXLE)	1			FC1468	
161	36381335100	HUB	2				FC1534
	36381335101	HUB	2			FC1535	
162	36381335110	PIN (WHEEL)	16				
171	36381335180	YOKE (AXLE SHAFT)	2				FC1377
	36381335810	YOKE (AXLE SHAFT)	2			FC1378	
172	36381156680	NIPPLE,GREASE	2				
173	36381335190	BEARING	8				
174	36381335200	BOLT	16		M10X1.25		
175	36381335210	PLATE (LOCK)	8				
176	36381335220	COVER (DUST)	8				
177	36381335230	SPIDER	2				
178	36381335240	YOKE (AXLE SHAFT)	2				FC1377
	36381335820	YOKE (AXLE SHAFT)	2			FC1378	

TR-100M-1-00105 6 BOOM + JIB,X,10T

Pos No.	Parts No	Parts Name	Qty	Unit	Technical Data	Serial No (Start)	Serial No (End)
64	36381375100	BOLT	1		M14X1.5		
65	36381375110	NUT	1		M14X1.5		
67	36381335430	JOINT ASSY	1				
68	36381335440	JOINT ASSY	1				
69	36381335830	PLUG	1		M16	FC1472	
70	36381335840	GASKET	1			FC1472	
72	36381335480	BOLT	8				
81	36381335490	BOLT	2				
82	36381155850	NUT	2		M8X1.25		
83	36381335500	RING,RETAINING	1				
88	36381335520	BEARING,ROLLER	1				
89	36381335510	RETAINER	2				
90	36381375120	SEAL,OIL	1				
91	36381375130	FLANGE ASSY	1				
92	36381335530	NUT	1				
93	36381335540	BEARING,TAPER ROLLER	1				
97	36381335550	SPACER	N				
98	36381335560	SHIM (PINION)	N				
99	36381335570	BEARING,TAPER ROLLER	1				
101	36381335580	NUT (ADJUST)	1				
102	36381335590	BEARING,TAPER ROLLER	1				
105	36381335600	BOLT	4				
106	36381475030	GEAR,SIDE	2				
107	36381475040	SPRING	2				
108	36381475050	CLUTCH,DRIVEN	2				
109	36381475100	SPIDER ASSY	1				
110	36381335610	BOLT (RING GEAR)	16				
111	36381475060	RING	2				
113	36381335620	BOLT	4		M8X16		
114	36381335630	PLATE (LOCK)	2				
115	36381335640	BOLT (DIFF.CASE)	4				
116	36381335650	NUT	8				
117	36381335660	WASHER	4				
119	36381335670	O-RING	1				
134	36381335730	SHIM (PINION)	N				
135	36381335740	PLATE (LOCK)	2				
141	36381375160	CAGE,PINION	1				
142	36381335770	NUT (ADJUST)	1				
143	36381335780	BEARING,TAPER ROLLER	1				
144	36381335790	BOLT (DIFF.CASE)	4				
151	36381335030	PLUG	4				
152	36381155580	BUSH,KING PIN	4				
153	36381335040	BUSH	2				
154	36381335050	HOUSING (AXLE)	1				FC1471
	36381335051	HOUSING (AXLE)	1			FC1472	
161	36381335100	HUB	2				FC1534
	36381335101	HUB	2			FC1535	
162	36381335110	PIN (WHEEL)	16				
171	36381335180	YOKE (AXLE SHAFT)	2				FC1377
	36381335810	YOKE (AXLE SHAFT)	2			FC1378	
172	36381156680	NIPPLE,GREASE	2				
173	36381335190	BEARING	8				
174	36381335200	BOLT	16		M10X1.25		
175	36381335210	PLATE (LOCK)	8				
176	36381335220	COVER (DUST)	8				
177	36381335230	SPIDER	2				
178	36381335240	YOKE (AXLE SHAFT)	2				FC1377
	36381335820	YOKE (AXLE SHAFT)	2			FC1378	
179	36381335250	COVER (UNIVERSAL JOINT)	8				
191	36381335280	PAD KIT	2				
192	36381156780	SEAL KIT (FOR 4-PISTONX1)	2				
193	36381156470	PISTON	8				
194	36381156480	SCREW (BREATHER)	2				

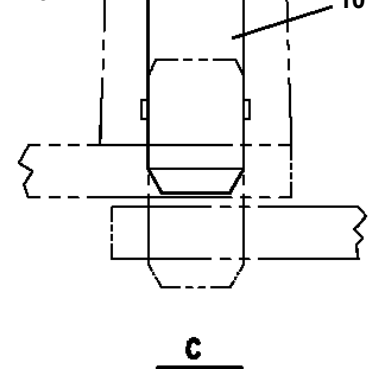
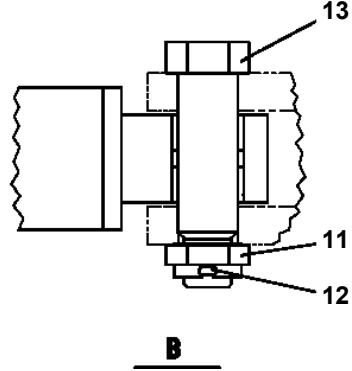
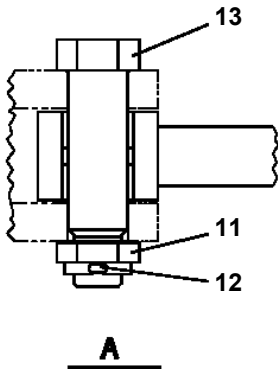
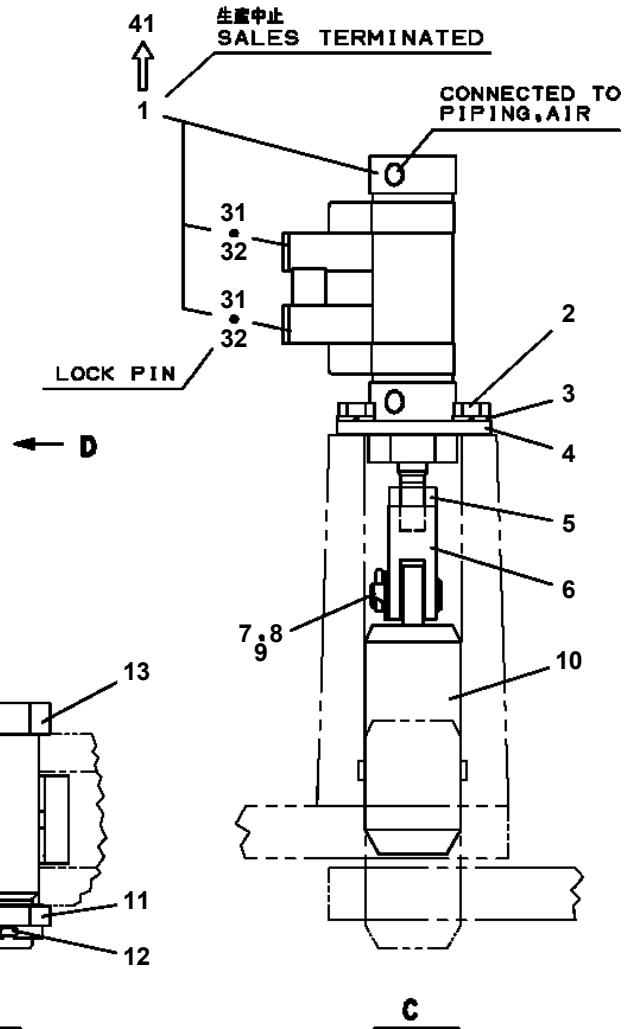
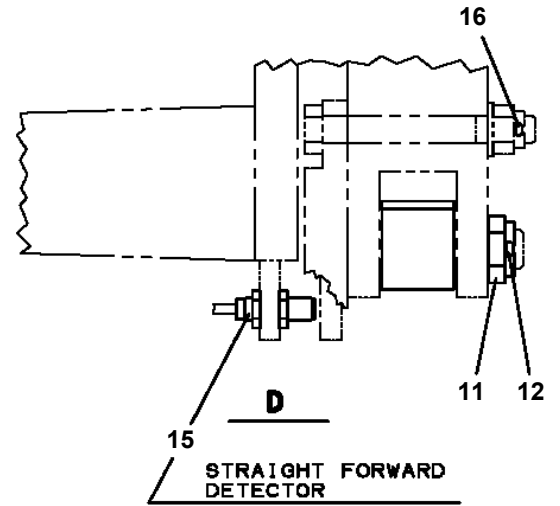
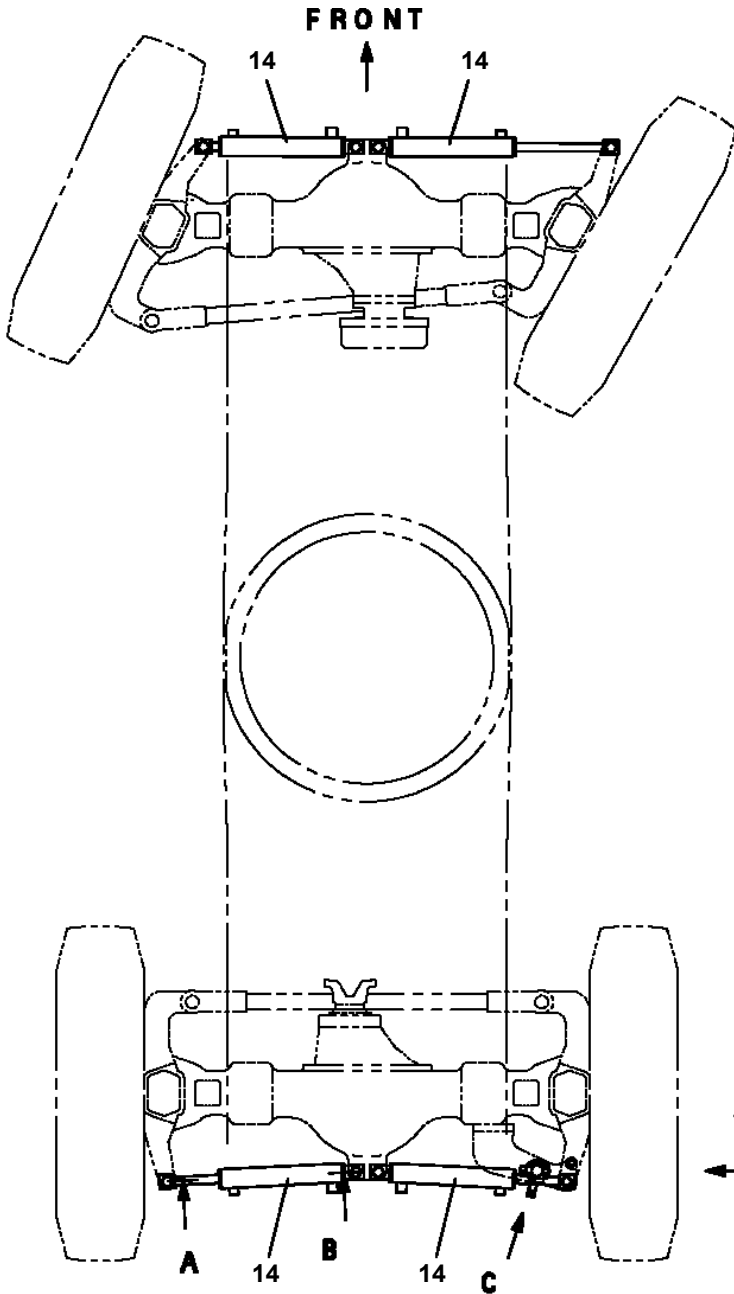
TR-100M-1-00105 6 BOOM + JIB,X,10T

Pos No.	Parts No	Parts Name	Qty	Unit	Technical Data	Serial No (Start)	Serial No (End)	Remarks	Pages
1	37003802820	TIRE	1						

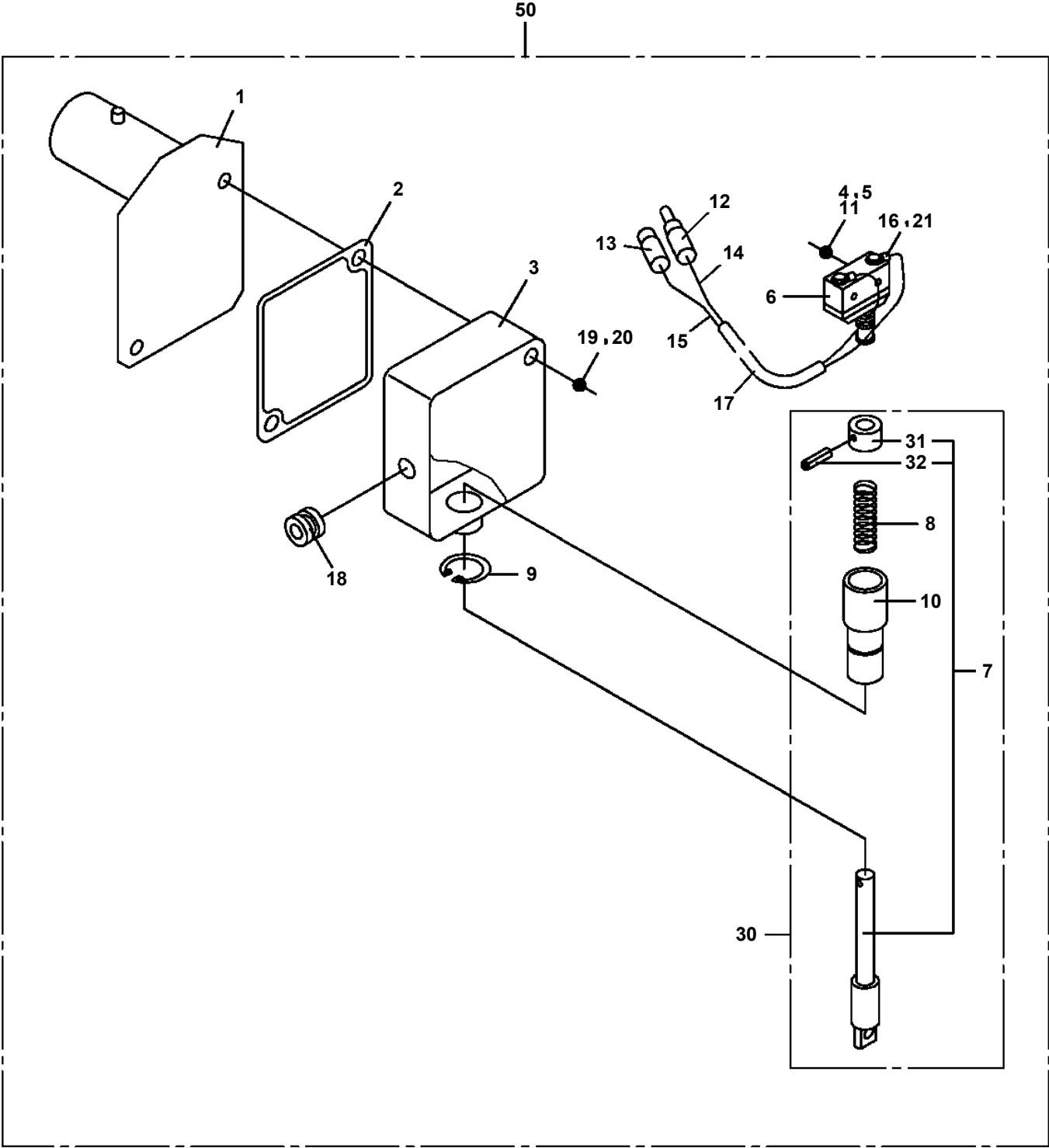
TR-100M-1-00105 6 BOOM + JIB,X,10T

Pos No.	Parts No	Parts Name	Qty	Unit	Technical Data	Serial No (Start)	Serial No (End)	Remark
1	34721187520	YOKE ASSY (SPLINE)	1					
4	34721187530	BOLT	2					
5	34721187540	WASHER,SPRING	2					
7	34721187550	RETAINER	1					
8	34721187560	RING,FELT	1					
18	34721187580	SEAL	1					
19	34721187590	BOLT	2					
20	34721187600	SPRING (BALANCE)	2					
21	34721187610	BOLT	1					
22	34721187620	BRACKET	1					
23	34721187630	NUT,CAP	1					
24	34721187640	PIN,SPLIT	1					
25	34721187650	NUT	1					
26	34721187660	BOLT	1					
27	34721187670	PLATE	1					
28	34721187680	PLATE (GUIDE)	1					
29	34721187690	SPRING	1					
30	34721187700	NUT	1					
31	34721187710	LEVER	1					
32	34721187720	WASHER,PLAIN	1					
33	34721187730	BOLT	1					
34	34721187570	SHAFT,STEERING (UPPER)	1					
35	34721187510	SHAFT,STEERING (LOWER)	1					
100	34721182300	SHAFT,STEERING	1					

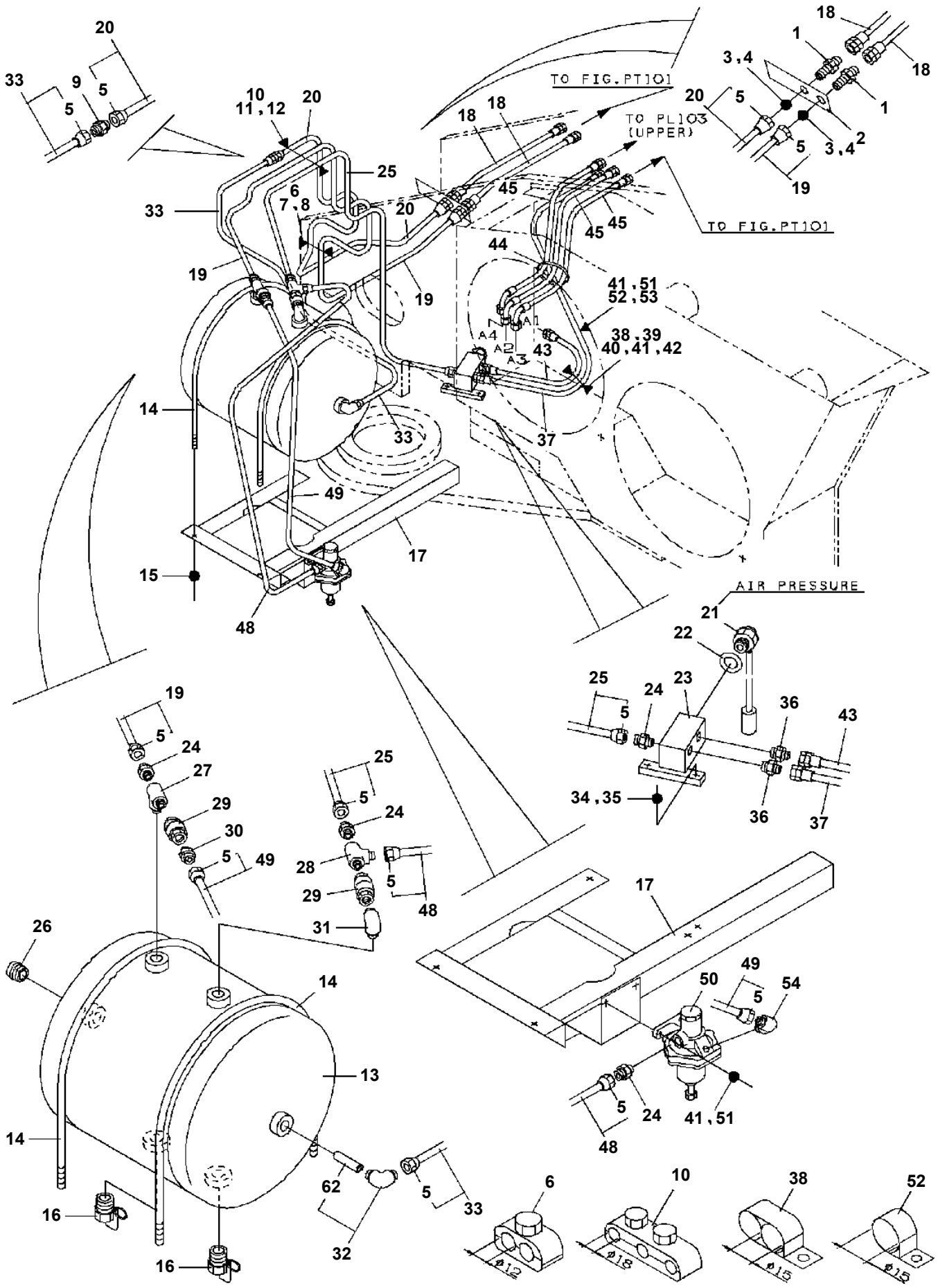
TR-100M-1-00105 6 BOOM + JIB,X,10T
 PS1350028-02 CYLINDER,STEERING INSTALLATION



TR-100M-1-00105 6 BOOM + JIB,X,10T
PS5540003-00 SWITCH (OVER WIND/JIB & SINGLE TOP)



**TR-100M-1-00105 6 BOOM + JIB,X,10T
PT1200068-01 PIPING,BRAKE (UPPER)**



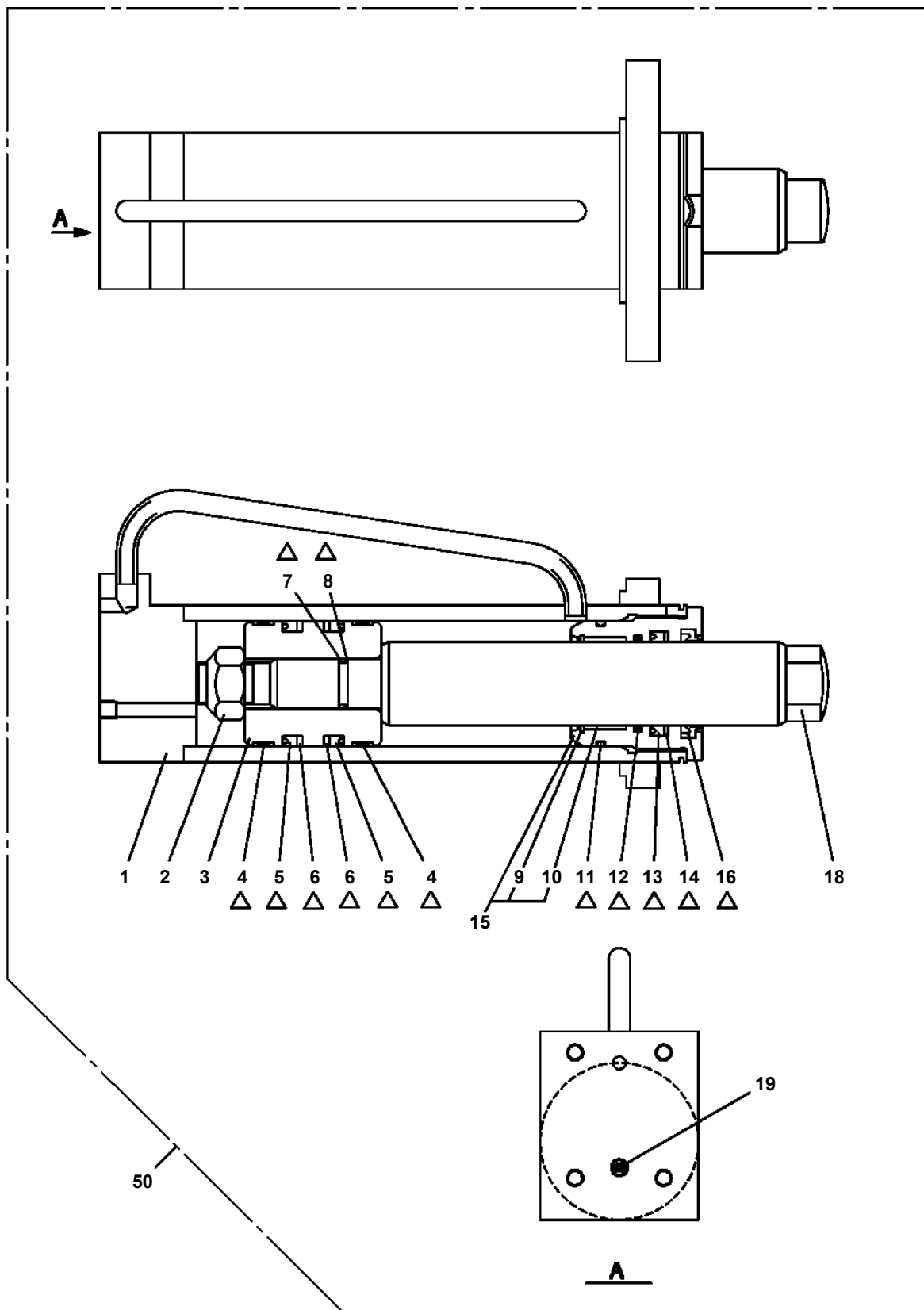
TR-100M-1-00105 6 BOOM + JIB,X,10T

Pos No.	Parts No	Parts Name	Qty	Unit	Technical Data	Serial No (Start)	Serial No (End)
1	37000904810	NUT,FLARE	26		M12		
2	37000529230	PLATE	2				FC1441
3	37000904820	NUT,FLARE	24		M14		
4	37000904830	NUT,FLARE	8		M16		
5	90186208014	BOLT,FLANGE	21		M8X14		
7	90186208020	BOLT,FLANGE	3		M8X20		
8	90302041001	WASHER,SPRING	3		10		
9	90303071001	WASHER,PLAIN	3		10		
10	37002444770	HOSE,AIR	3		L=450		
11	80430410450	JOINT	2				
12	37001601440	NUT	14		M12X1.0		
13	90304111201	WASHER,TOOTH	14		12		
14	37002421990	HOSE,AIR	2		L=375		
15	34921288290	PIPE ASSY	1				
16	37000711080	CLAMP ASSY	6		12-2		FC1441
	37000711080	CLAMP ASSY	3		12-2	FC1442	
17	37000302720	SLEEVE	22		12-6.35		
18	37000300710	SLEEVE	10		12-8		
19	37000711470	CLAMP ASSY	3				FC1442
	37000711460	CLAMP ASSY	3		12X6	FC1443	
21	34921288300	PIPE ASSY	1				
22	34921288310	PIPE ASSY	1				
23	34921288270	PIPE ASSY	1				
24	34921288320	PIPE ASSY	1				
25	34921288330	PIPE ASSY	1				
26	37002422010	HOSE,AIR	1		L=500		
27	37000903370	JOINT	3		L,G1/4-R1/8		
28	80430620400	JOINT	2				
29	37002444790	HOSE,AIR	1		L=600		
30	37002455870	HOSE,AIR	1		L=520		
31	90155308045	BOLT,WELD	3		M8X45	FC1442	
32	34921288340	PIPE ASSY	1				
33	37000711420	CLAMP ASSY	1				FC1442
	37000711410	CLAMP ASSY	1		12-4	FC1443	
34	37000701510	CLAMP ASSY	3		12X2	FC1442	
35	90211201400	NUT	4		M14		
36	90304111401	WASHER,TOOTH	4		14		
37	37002444720	HOSE,AIR (L=300 TO 305>	2				
38	37000913720	JOINT	1				
39	37000907640	JOINT	1		S,R1/8-G1/4		
40	37000904840	NUT,FLARE	4		M20		
41	90211202000	NUT	1		M20		
42	90304112001	WASHER (LOCK)	1		20		
43	37000514600	PLATE	1				
44	90211201600	NUT	3		M16		
45	90304111601	WASHER,TOOTH	3		16		
47	37000903930	FITTING	1		S,R1/4-M16		
48	37000910330	FITTING,ELBOW	5		L,R1/4-8		
49	36646470000	VALVE,SOLENOID	1				
50	56476172000	FITTING	6		S,R1/4-M12		
51	34921288200	PIPE ASSY	1				
52	34921288190	PIPE ASSY	1				
53	34921288060	PIPE ASSY	1				
54	37000904230	FITTING,ELBOW	1		L,R1/4-M16		
55	37000901290	FITTING,ELBOW	1		L,R1/4-6.35		
57	34921288380	PIPE ASSY	1				
58	34921288050	PIPE ASSY	1				
59	37000904430	FITTING,TEE	1		T,R1/4-M16-M16		
60	36620450000	VALVE,PRESSURE PROTECTION	1				
61	37000904330	FITTING,TEE	1		T,R1/4-10-10		
62	80315020060	JOINT,BUSHING	1		S,R1/2-R1/4		
63	34921288040	PIPE ASSY	1				
64	34921288070	PIPE ASSY	1				

TR-100M-1-00105 6 BOOM + JIB,X,10T

Pos No.	Parts No	Parts Name	Qty	Unit	Technical Data	Serial No (Start)	Serial No (End)	Remarks
2	36600945010	SEAT,SPRING	1					
3	36600945020	SPRING	1					
4	36600945030	PLATE	1					
9	36600955010	BOLT (ADJUSTING)	1					
10	90202200800	NUT	1		M8			
11	36600945070	WASHER (DIAPHRAGM)	1					
12	36600945080	NUT,CASTLE	1		M6			
13	80136012015	PIN,SPLIT	1		1.2X15			
17	36600945110	CAP	1					
19	80192434016	SCREW,MACHINE	6		M4X16			
41	36600955020	VALVE KIT (REPAIR KIT)	1					
	36600955030	VALVE KIT (REPAIR KIT)	1			FC1558	FC1557	
50	36600940000	VALVE,REDUCING	1					

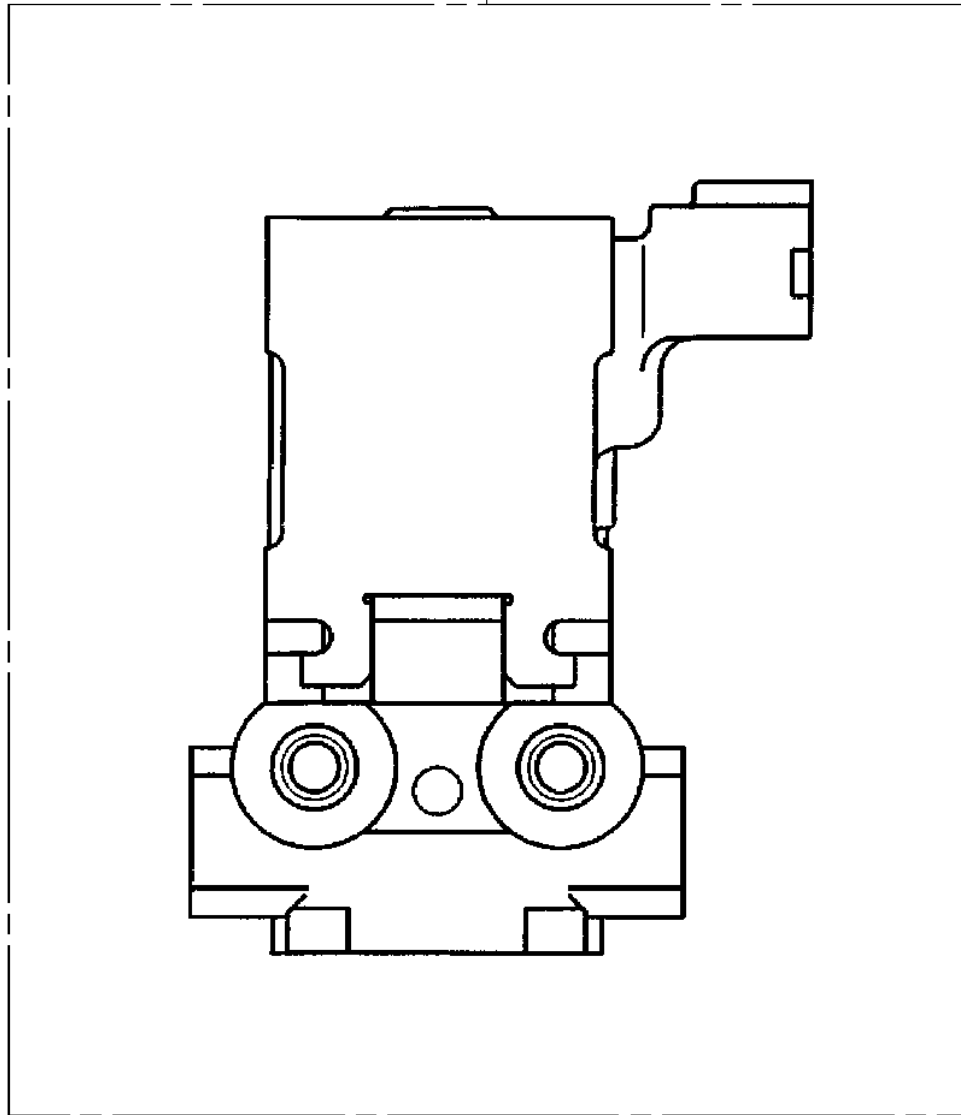
TR-100M-1-00105 6 BOOM + JIB,X,10T
 PU1050023-02 CYLINDER,SPRING LOCK



Δ:PACKING SET KEY NO. 30 (KEY NO.4,5,6,7,8,11,12,13,14,16)

TR-100M-1-00105 6 BOOM + JIB,X,10T
PV5240027-00 VALVE ASSY,SOLENOID

100



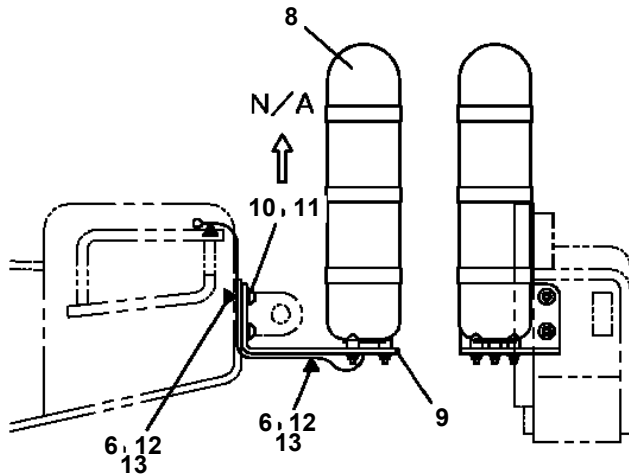
TR-100M-1-00105 6 BOOM + JIB,X,10T

Pos No.	Parts No	Parts Name	Qty	Unit	Technical Data	Serial No (Start)	Serial No (End)	Remarks
81	82400000473	MIRROR	1					
82	34691416102	STAY (RIGHT)	1					
83	90240201000	NUT,CAP	8		M10			
85	34691416201	STAY (LEFT)	1					
86	82400000463	MIRROR (ASSY ONLY)	2					
87	82400000466	MIRROR	1					
88	90201200800	NUT	2		M8			
92	34691418010	COVER ASSY (1)	1					
93	34691418040	FENDER ASSY	1					
100	82400000301	HINGE	2					
101	34691419510	COVER ASSY	1					
102	34691419520	COVER ASSY	1					
106	82400000384	CATCH	1					
107	80147310630	RIVET	4		NSA 6-3			
109	80172805012	SCREW,MACHINE	5		M5X12			
111	90255100501	NUT,WELD	3		M5			
112	90201200500	NUT	2		M5			
113	90302040501	WASHER,SPRING	2		5			
114	80172803010	SCREW,MACHINE	2		M3X10			
115	90302040301	WASHER,SPRING	2		3			
116	90201200300	NUT	2		M3			
117	82466010022	CATCH	1					
118	90255101000	NUT,WELD	5					
121	34691417100	COVER	1					
122	37000500060	PLATE	2					
123	34691417200	SUPPORT	2					
124	37000501240	PLATE	2					
128	90101208025	BOLT	6		M8X25			
129	37000549940	PLATE	6		T=3.2			
151	34691417510	PACKING	2					

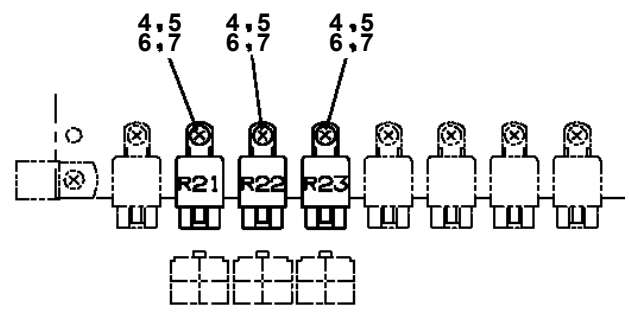
TR-100M-1-00105 6 BOOM + JIB,X,10T

Pos No.	Parts No	Parts Name	Qty	Unit	Technical Data	Serial No (Start)	Serial No (End)	Remarks	Pages
1	37000166450	PIN	1						
2	90101210014	BOLT	1		M10X14				
3	90302041001	WASHER,SPRING	1		10				
4	34442531000	SUPPORT ASSY	1						
5	80136340032	PIN,SPLIT	2		4X32				
6	37000142940	PIN	2						
7	34442981000	SUPPORT ASSY	1						
12	37001108500	ROLLER ASSY	1						
13	37000303970	SPACER	4		L=2.5				
14	37000166480	PIN	1						
15	90101208012	BOLT	2		M8X12				
16	90302040801	WASHER,SPRING	2		8				
21	34442981100	SUPPORT	1						
24	37000170890	PIN	1						
25	37001105120	ROLLER ASSY	1						
31	34442531100	SUPPORT	1						
41	80516006001	BEARING,BALL	4						

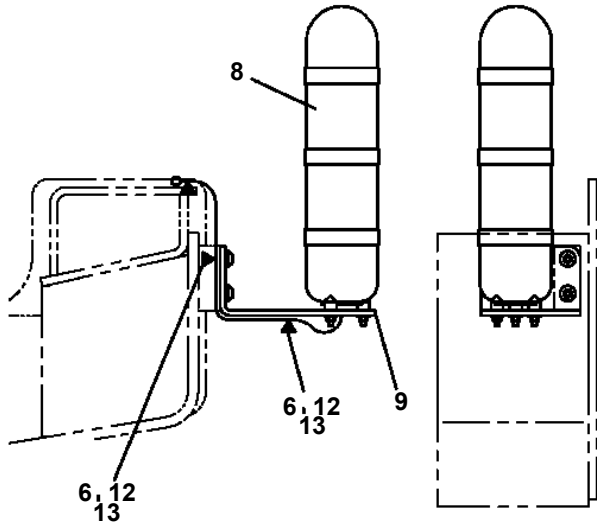
**TR-100M-1-00105 6 BOOM + JIB,X,10T
PY1180176-03 LAMP (AML)**



**TR-100M, GR-120N
GR-100N, RK-120**

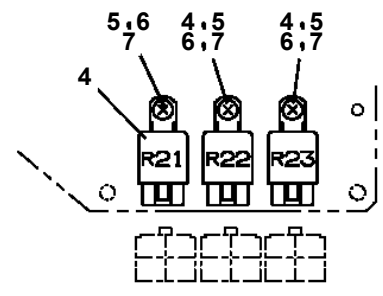


TR-100M

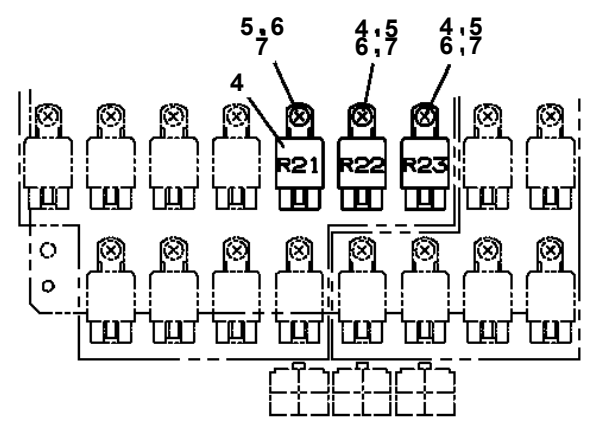


**TR-160M-3
TR-200EXC**

A



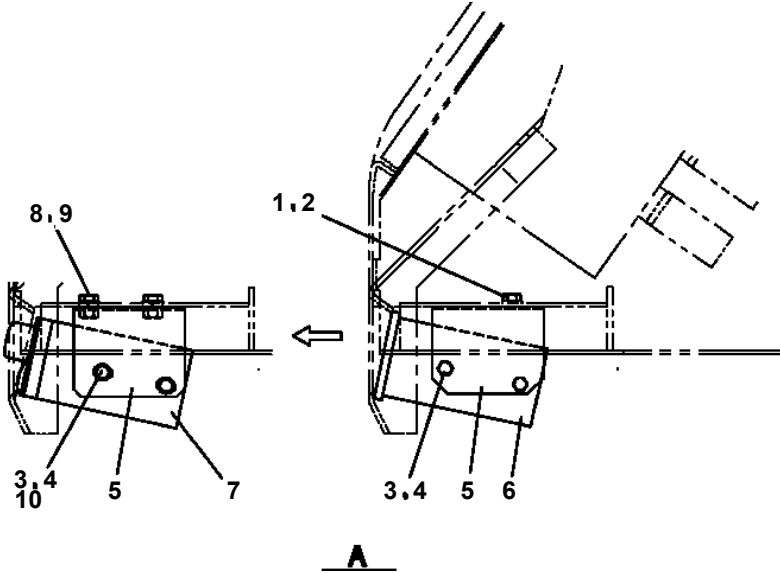
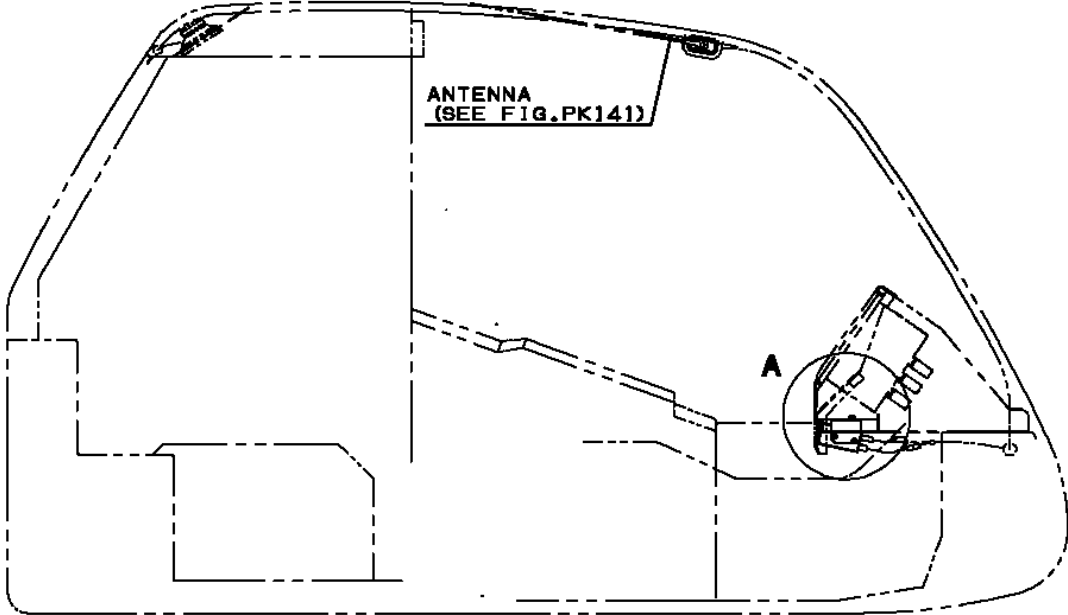
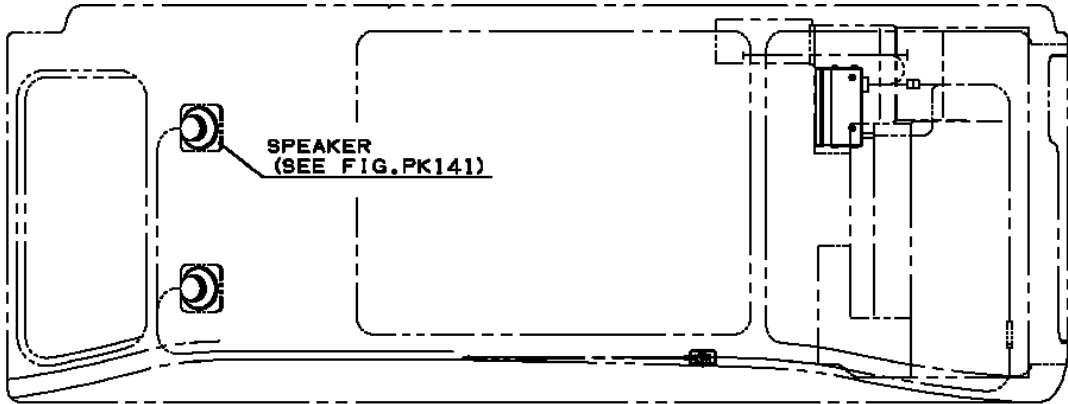
**TR-160M-3
TR-200EXC**



**GR-120N
GR-100N
RK-120**

電装ボックス内

TR-100M-1-00105 6 BOOM + JIB,X,10T
PY1350024-03 RADIO INSTALLATION



TR-100M-1-00105 6 BOOM + JIB,X,10T

Pos No.	Parts No	Parts Name	Qty	Unit	Technical Data	Serial No (Start)	Serial No (End)	Remarks	Pa
1	37000913700	JOINT	1						
2	91801300160	CLIP	2		D=14-16				
3	37002448090	HOSE,AIR	1		L=6455				
4	80426026204	JOINT,SELF SEALING	1						
5	80426016106	JOINT,SELF SEALING	1						
6	80457030800	CAP (FOR MALE)	1						
20	34731068010	HOSE	1						

CLICK HERE TO **DOWNLOAD** THE COMPLETE MANUAL

- Thank you very much for reading the preview of the manual.
- You can download the complete manual from: www.heydownloads.com by clicking the link below



- Please note: If there is no response to CLICKING the link, please download this PDF first and then click on it.

CLICK HERE TO **DOWNLOAD** THE COMPLETE MANUAL