

# **TM-ZX500 41050602065A BOOM**

**PB0000384-00 SYSTEM (ZX500,DOMESTIC)**

**ASSEMBLY**

CLICK HERE TO **DOWNLOAD** THE COMPLETE MANUAL

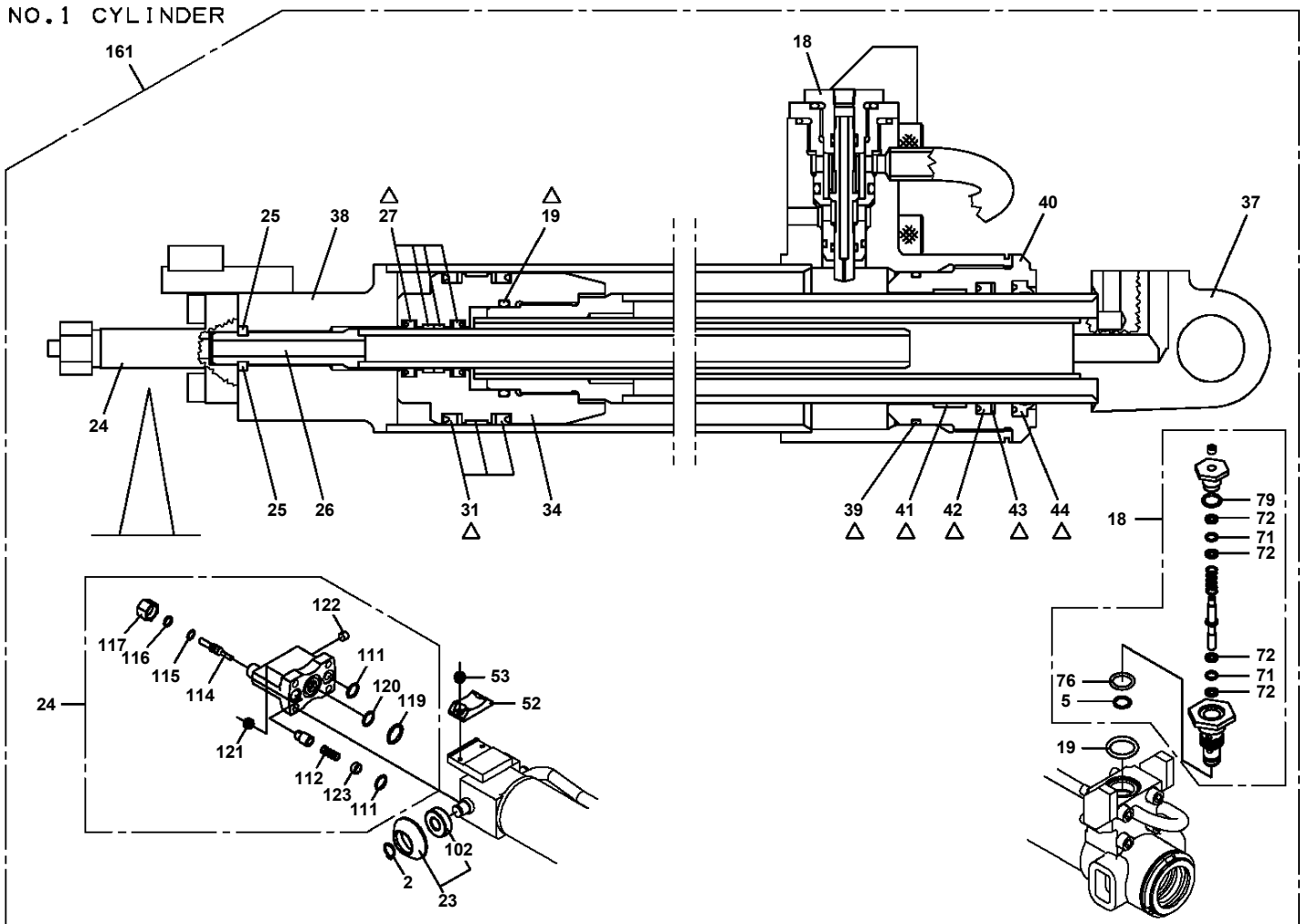
- Thank you very much for reading the preview of the manual.
- You can download the complete manual from: [www.heydownloads.com](http://www.heydownloads.com) by clicking the link below



- Please note: If there is no response to CLICKING the link, please download this PDF first and then click on it.

CLICK HERE TO **DOWNLOAD** THE COMPLETE MANUAL

**TM-ZX500 41050602065A BOOM  
PC6470191-00 CYLINDER ASSY,TELESCOPING**



△:PACKING SET KEY NO.130 (KEY NO.19,27,31,39,41,42,43,44)

# TM-ZX500 41050602065A BOOM

Pos No.	Parts No	Parts Name	Qty	Unit	Technical Data	Serial No (Start)	Serial No (End)	Remarks	Pages
1	37000105061	PIN	1						
2	90101208014	BOLT	1		M8X14				
3	90302040801	WASHER,SPRING	1		8				
4	37002600190	WEDGE	1		8				
5	37002600100	SOCKET,ROPE	1		8&9				
6	83151410802	CLIP	1						

# TM-ZX500 41050602065A BOOM

Pos No.	Parts No	Parts Name	Qty	Unit	Technical Data	Serial No (Start)	Serial No (End)	Remarks	Pages
1	37001008670	SHEAVE ASSY	2						
2	37000313190	SPACER	2		L=7.5				
3	31202516100	PIN	1						
4	31206266500	LINK ASSY	1						
5	31200584000	COVER	1						
6	90191210020	BOLT	2		M10X20				
7	90302041001	WASHER,SPRING	2		10				
22	36093861100	BEARING,BALL	2						
41	31206266600	SPACER	1						
42	31201565200	PIN	1						
43	31202515700	LINK	1						

# TM-ZX500 41050602065A BOOM

Pos No.	Parts No	Parts Name	Qty	Unit	Technical Data	Serial No (Start)	Serial No (End)	Remarks
1	37002206490	PLATE,NAME (GREASE)	2					
2	12237076000	INDICATOR	2					
3	90190000060	BOLT	2		M10X16			
4	37002240081	PLATE,NAME	2					
5	37002240070	PLATE,NAME	2					
6	37002212770	PLATE,NAME (DC24V,0.1A)	1					
7	31595771100	PLATE,NAME	1					
8	31595771200	PLATE,NAME	1					

CLICK HERE TO **DOWNLOAD** THE COMPLETE MANUAL

- Thank you very much for reading the preview of the manual.
- You can download the complete manual from: [www.heydownloads.com](http://www.heydownloads.com) by clicking the link below



- Please note: If there is no response to CLICKING the link, please download this PDF first and then click on it.

CLICK HERE TO **DOWNLOAD** THE COMPLETE MANUAL